

LS-1800-2-42822 UPPER,LOWER ISUZU SKG-NPR85YN

PD2000157-00 SWING UNIT

PG2000177-00 BOOM UNIT

PH1000550-00 SAFETY DEVICES (MOTION CONTROLLER)

PK2000665-01 FRAME UNIT

PN2000016-00 LIGHTING UNIT

PO1000154-00 INDICATION PLATES

PW1000109-01 ACCESSORIES & TOOLS

PX2001001-01 CARRIER UNIT

PX3000398-00 MOUNTING UNIT

PY1001296-00 OPTIONS,1

ASSEMBLY

CLICK HERE TO **DOWNLOAD** THE COMPLETE MANUAL

- Thank you very much for reading the preview of the manual.
- You can download the complete manual from: www.heydownloads.com by clicking the link below



- Please note: If there is no response to CLICKING the link, please download this PDF first and then click on it.

CLICK HERE TO **DOWNLOAD** THE COMPLETE MANUAL

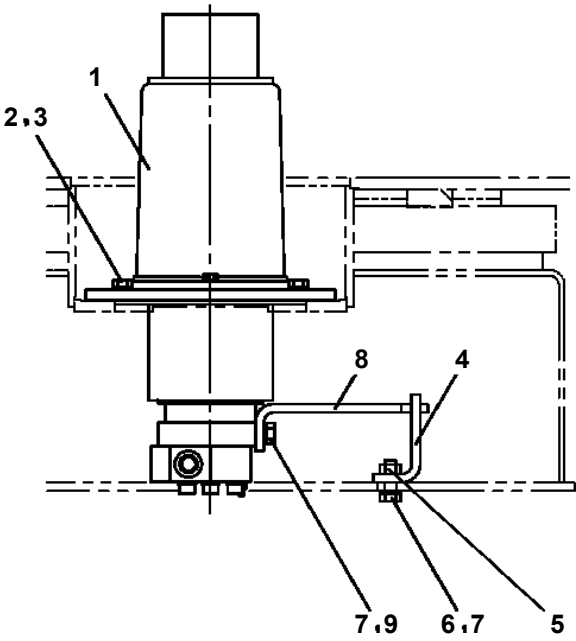
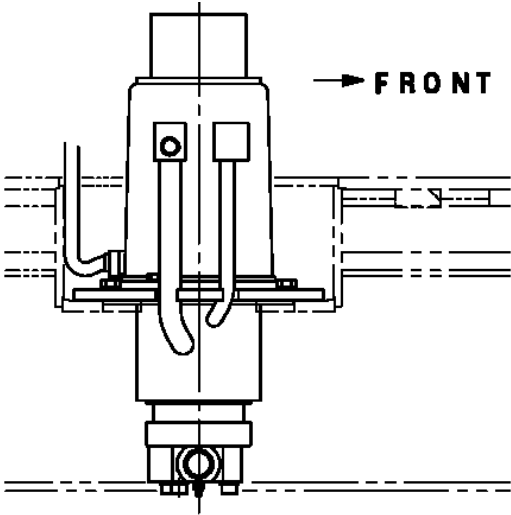
LS-1800-2-42822 UPPER,LOWER ISUZU SKG-NPR85YN

Pos No.	Parts No	Parts Name	Qty	Unit	Technical Data	Serial No (Start)	Serial No (End)	Remarks	Pages
1	(*****)	LAMP ASSY	1						000113

LS-1800-2-42822 UPPER,LOWER ISUZU SKG-NPR85YN

Pos No.	Parts No	Parts Name	Qty	Unit	Technical Data	Serial No (Start)	Serial No
1	(*****)	ELEC.ASSY (ANEMOMETER)	1				
2	(*****)	ANEMOMETER INSTALLATION (BOOM HEAD)	1				
3	(*****)	BOX,TOOL	1				

**LS-1800-2-42822 UPPER,LOWER ISUZU SKG-NPR85YN
PB1300285-00 JOINT,ROTARY (MOUNT)**



LS-1800-2-42822 UPPER,LOWER ISUZU SKG-NPR85YN

Pos No.	Parts No	Parts Name	Qty	Unit	Technical Data	Serial No (Start)	Serial No (End)	Remarks	P
1	37000714180	CLAMP ASSY	1						
2	(*****)	VALVE,CONTROL	1						00
3	37002443990	HOSE	1		L=1900				
4	37002477860	HOSE	1		L=1950				
5	37000909290	JOINT	1						
6	80430620400	JOINT	2						
9	91810132530	FASTENER	10						
10	80471020504	JOINT	1		HL205-04				
11	91002801800	O-RING	2		1B P18				
12	37002483320	HOSE	1		L=500				
13	80316070080	PLUG	1		PF1/2				
14	82100001412	TUBE, SPIRAL	2	M	SE-12BK				
15	82400000205	GROMMET	2						
16	82100001411	TUBE, SPIRAL	1	M	SE-08BK				
17	37002413180	HOSE	1		L=500				
18	89640202000	HOSE	1						
19	90101210040	BOLT	4		M10X40				
21	37002477560	HOSE	1		L=1820				
22	37000900750	JOINT	1		L,R1/4-G3/8				
23	37002472220	HOSE	1		L=1830				
24	80441030604	FITTING, ELBOW	2						
25	37000908730	JOINT (WITH O-RING)	2		L,G3/8-G1/4				
26	37002451970	HOSE	1		L=1250				
27	80316070060	PLUG	2		PF3/8				
28	91002801400	O-RING	3		1B P14				
29	90302041001	WASHER, SPRING	6		10				
30	37002475250	HOSE	1		L=1970				
31	37002440310	HOSE	1		L=1950				
32	80471020503	JOINT	1		45,G3/8-G3/8				
33	37000714020	CLAMP ASSY	1		12X2				
35	90101210065	BOLT	2		M10X65				
36	37002487420	HOSE	1		L=510				
37	37002434830	HOSE	1		L=380				
39	37002408420	HOSE	1		L=375				
40	37002474070	HOSE	1		L=1580 TO 1620				
41	37002468050	HOSE	1		L=1750				
61	37000605400	CLAMP	1						
62	37000605410	CUSHION	2						
63	90101208045	BOLT	3		M8X45				
64	90302040801	WASHER, SPRING	3		8				
71	91002801100	O-RING	8		1B P11				
81	91002801400	O-RING	2		1B P14				
91	36625000000	VALVE ASSY,CHECK	1						00
92	80400160127	JOINT	4						

LS-1800-2-42822 UPPER,LOWER ISUZU SKG-NPR85YN

Pos No.	Parts No	Parts Name	Qty	Unit	Technical Data	Serial No (Start)	Serial No (End)
1	42614625000	CASE,INNER	1				
2	42613661200	CASE,INNER	1				
4	36035400000	CYLINDER,JACK	1				
5	42612851400	FLOAT ASSY	1				
6	37000184210	PIN	1		25		
7	80601110250	RING,RITAINING	1		S25		
8	37000169010	PIN	1		30		
9	80601110300	RING,RITAINING	2		S30		
10	36625740001	VALVE,CHECK	1				
11	90171108055	BOLT	4		M8X55		
12	37000138750	PIN	1		18		
13	80136332036	PIN,SPLIT	2		3.2X36		
14	80400160127	JOINT	1				
15	91002801100	O-RING	1		1B P11		
16	36672460000	FILTER (NIPPLE TYPE)	1				
17	42613611010	COVER	1				
18	90186206014	BOLT,FLANGE	2		M6X14		
19	37000582990	PLATE	N		T=1.0		
20	91810130240	FASTENER	2				
21	37000184220	PIN	2		12		
22	80601110120	RING,RITAINING	4		S12		
23	90280200600	NUT,FLANGE	1		M6		
24	37000600700	CLAMP	1		12X3		
41	36043340000	CYLINDER,EXTENSION	1				
42	80400160127	JOINT	2				
43	91002801100	O-RING	3		1B P11		
44	37002419910	HOSE	1		L=1770		
45	42614053350	HARNESS	1				
46	91810130250	FASTENER	15				
51	42612851420	TRUNNION	1				
100	42614621001	OUTRIGGER (CASE,INNER/FRONT)	1				

LS-1800-2-42822 UPPER,LOWER ISUZU SKG-NPR85YN

Pos No.	Parts No	Parts Name	Qty	Unit	Technical Data	Serial No (Start)	Serial No (End)	Rema
11	42652875020	CASE (WITH NAME PLATE)	1					
12	42652875030	COVER (CASE)	1					
15	42652875040	HARNES (1)	1					
16	42652875050	HARNES (2)	1					
21	(*****)	BOARD,CIRCUIT (WITH DATA)	1					
31	42652807530	SEAT,PANEL (NAME PLATE)	1					
50	42652802000	INDICATOR,OUTRIGGER	1					

LS-1800-2-42822 UPPER,LOWER ISUZU SKG-NPR85YN

Pos No.	Parts No	Parts Name	Qty	Unit	Technical Data	Serial No (Start)	Serial No (End)	R
1	42614632100	CASE ASSY,INNER	1					
2	42613661200	CASE,INNER	1					
4	36035400000	CYLINDER,JACK	1					
5	42612851400	FLOAT ASSY	1					
6	37000184210	PIN	1		25			
7	80601110250	RING,RITAINING	1		S25			
8	37000169010	PIN	1		30			
9	80601110300	RING,RITAINING	2		S30			
10	36625740001	VALVE,CHECK	1					
11	90171108055	BOLT	4		M8X55			
12	37000138750	PIN	1		18			
13	80136332036	PIN,SPLIT	2		3.2X36			
14	80400160127	JOINT	1					
15	91002801100	O-RING	1		1B P11			
16	36672460000	FILTER (NIPPLE TYPE)	1					
17	42613611010	COVER	1					
18	90186206014	BOLT,FLANGE	2		M6X14			
19	37000582990	PLATE	N		T=1.0			
20	91810130240	FASTENER	2					
21	37000184220	PIN	2		12			
22	80601110120	RING,RITAINING	4		S12			
23	90280200600	NUT,FLANGE	1		M6			
24	37000600700	CLAMP	1		12X3			
41	36043350000	CYLINDER,EXTENSION	1					
42	80400160127	JOINT	2					
43	91002801100	O-RING	3		1B P11			
44	37002468200	HOSE	1		L=1970			
45	42614061350	HARNESS	1					
46	91810130250	FASTENER	15					
63	42612851420	TRUNNION	1					
100	42614632000	CASE ASSY,INNER (REAR,RIGHT)	1					

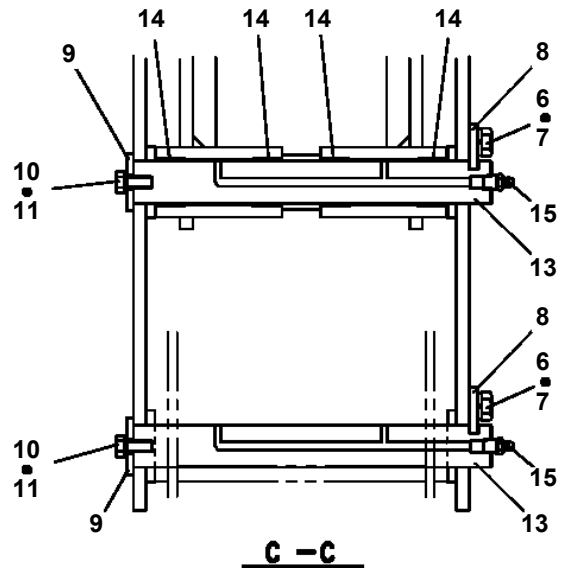
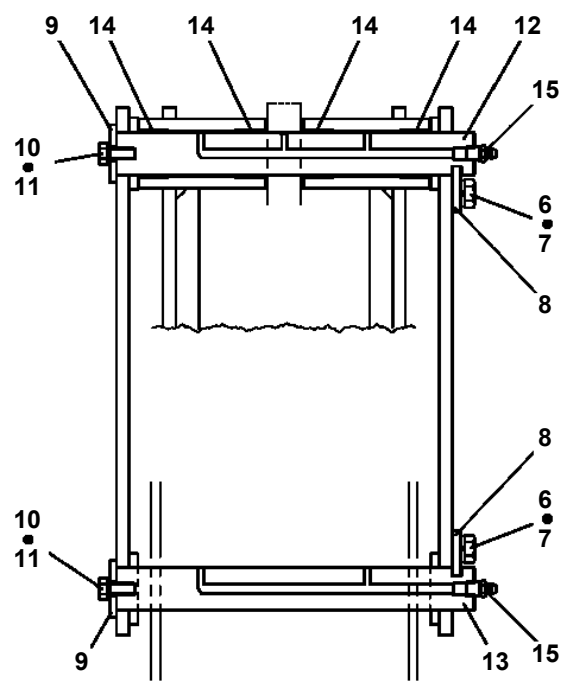
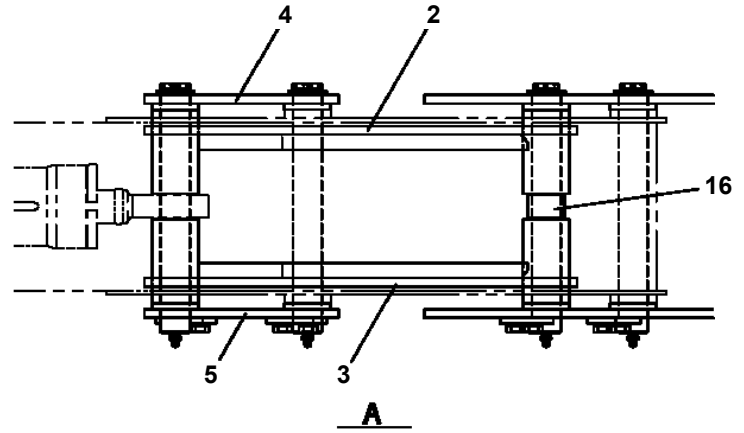
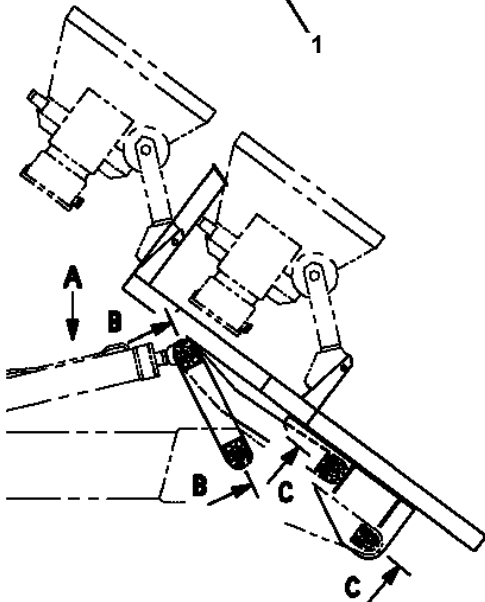
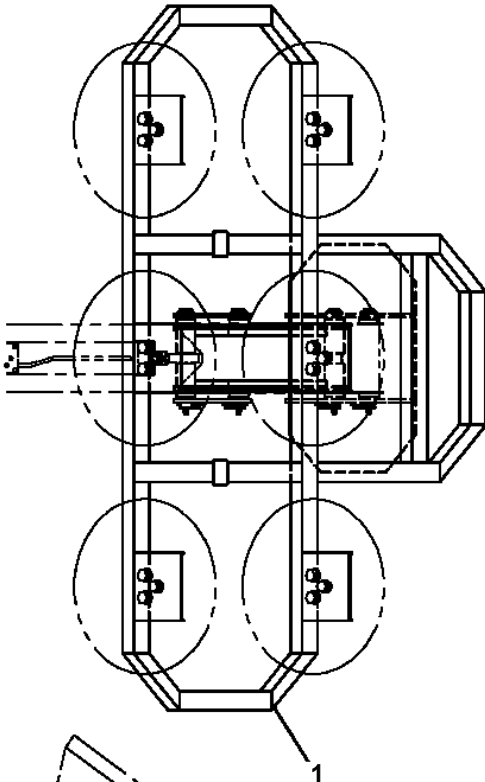
LS-1800-2-42822 UPPER,LOWER ISUZU SKG-NPR85YN

Pos No.	Parts No	Parts Name	Qty	Unit	Technical Data	Serial No (Start)	Serial No (End)	Remarks
1	42272311101	COVER	1					
2	42272111200	COVER	1					
3	42272311201	COVER	1					
4	82464114603	HINGE	2					
5	80173804012	SCREW,MACHINE	6		M4X12			
6	82464104602	HINGE	2					
7	82460104235	GRIP	1					
8	37000565900	PLATE	2					
9	80172804012	SCREW,MACHINE	18		M4X12			
10	90201500400	NUT	18		M4			
11	90302510401	WASHER,SPRING	24		4			
12	90101206012	BOLT	2		M6X12			
13	82464110305	HINGE	2					
14	80172803008	SCREW,MACHINE	8		M3X8			
15	90201500300	NUT	23		M3			
16	90302510301	WASHER,SPRING (SUS 3)	27					
17	82466100702	CATCH	2					
18	80175803010	SCREW,MACHINE	21		M3X8			
19	82466009002	CATCH	4					
20	37000508510	PLATE	8					
21	82112001022	SLEEVE	2					
22	42220249510	ROPE,WIRE	1	M				
23	42271680020	HOOK	1					
24	90302040601	WASHER,SPRING	4		6			
25	42271801600	COVER	1					
26	80172803010	SCREW,MACHINE	4		M3X10			
27	80163803010	SCREW,MACHINE	4		M3X10			
28	82198300302	PLUG	2					
29	82464102021	STAY	1					
30	90201200600	NUT	2		M6			
31	42272311170	SUPPORT	1					
32	42272311290	SUPPORT	N		T=4.5			
33	90101206016	BOLT	2		M6X16			
100	42272311001	COVER ASSY	1					

LS-1800-2-42822 UPPER,LOWER ISUZU SKG-NPR85YN

Pos No.	Parts No	Parts Name	Qty	Unit	Technical Data	Serial No (Start)	Serial No (End)	Remark
1	36025840000	CYLINDER,ELEVATING	1				HD0286	
	36025840001	CYLINDER ASSY,DERRICK	1			HD0287		
2	36605570000	VALVE,COUNTERBALANCE	1					
3	90171108125	BOLT	4		M8X125			
4	90302040801	WASHER,SPRING	4		8			
5	36625750000	VALVE,CHECK	1					
6	82400000459	CAP	2					

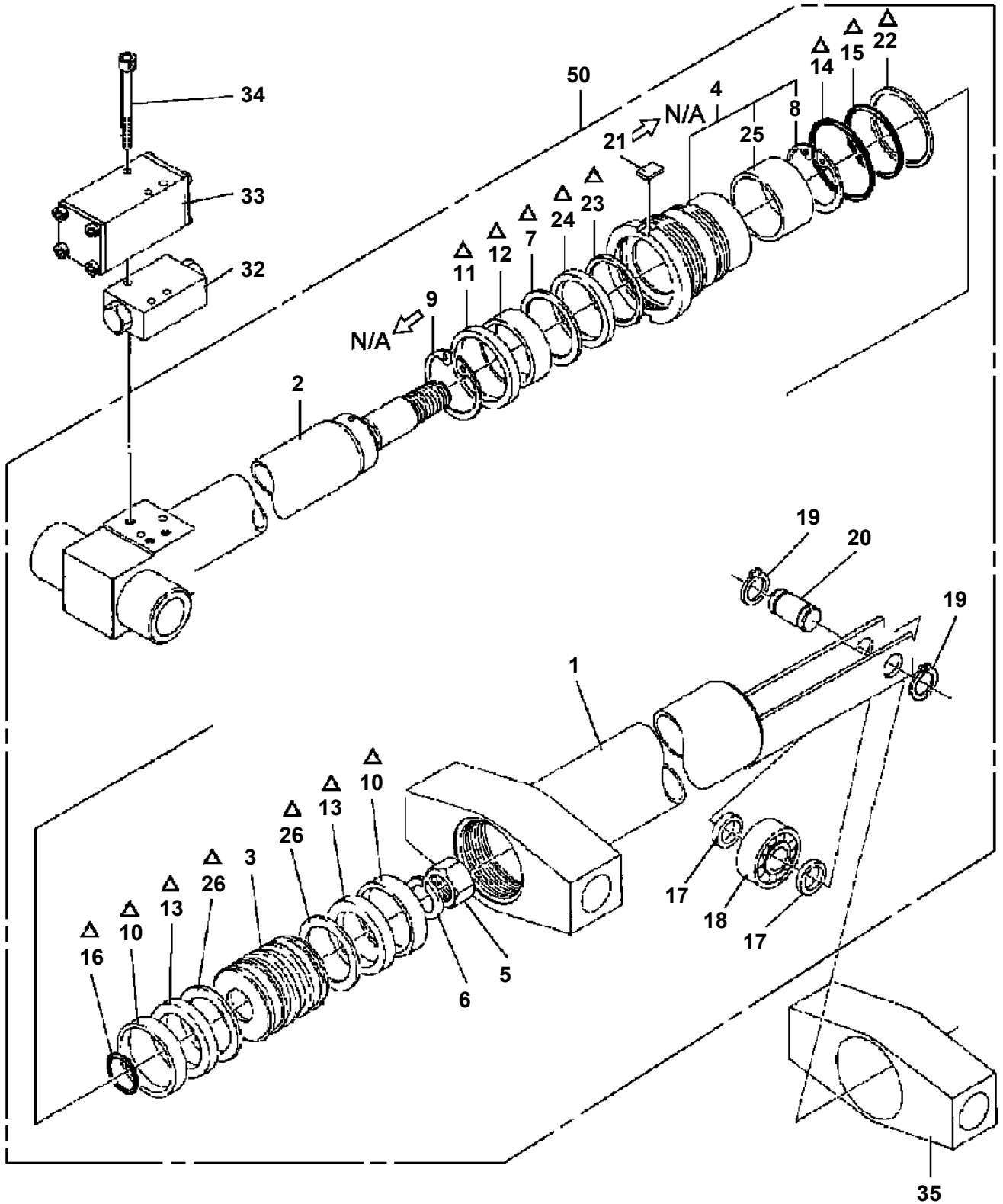
LS-1800-2-42822 UPPER, LOWER ISUZU SKG-NPR85YN
 PE1400010-00 TILTING LAMP (FRAME)



LS-1800-2-42822 UPPER,LOWER ISUZU SKG-NPR85YN

Pos No.	Parts No	Parts Name	Qty	Unit	Technical Data	Serial No (Start)	Serial No (End)	Remark
3	42434267520	FRAME	1					
4	42434267530	COVER (PROTECTION NET)	1					
5	42434267540	GLASS	1					
6	42434267550	HOLDER	1					
8	42434267560	PLATE (ANGLE)	1					
12	42434267570	LATCH	2					
13	42434260140	LIGHT DEVICE	1					
16	42434260150	CABLE	1		L=1220			
17	42434267580	BRACKET	1					
18	42434267590	CASE	1					
51	42434267510	BODY	1					
100	42434260100	FLOOD LIGHT	1					

LS-1800-2-42822 UPPER, LOWER ISUZU SKG-NPR85YN
 PG1050007-06 CYLINDER, TELESCOPING



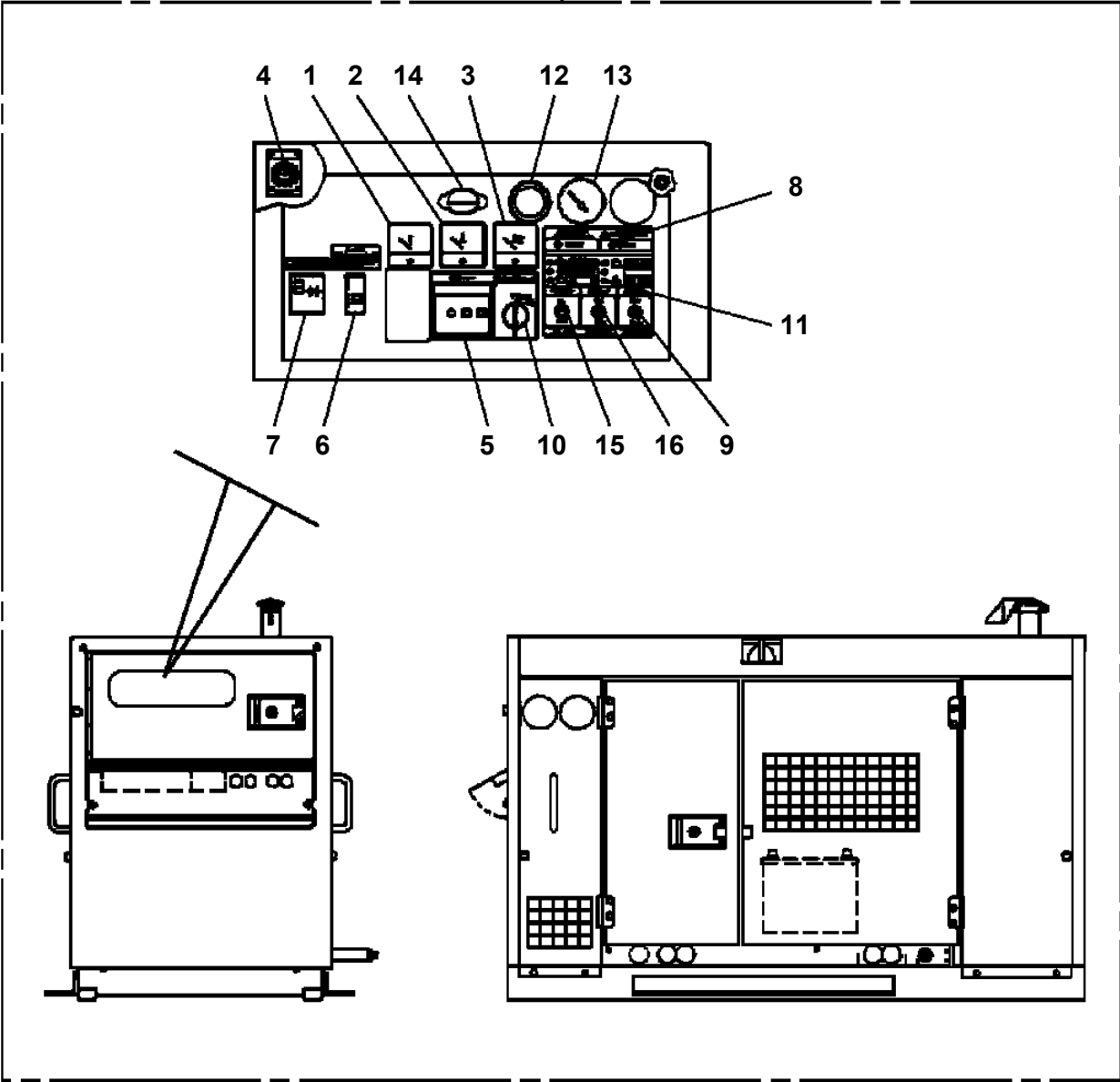
△ : PACKING SET KEY NO.41 (KEY NO.7,10,11,12,13,14,15,16,22,23,24,26)



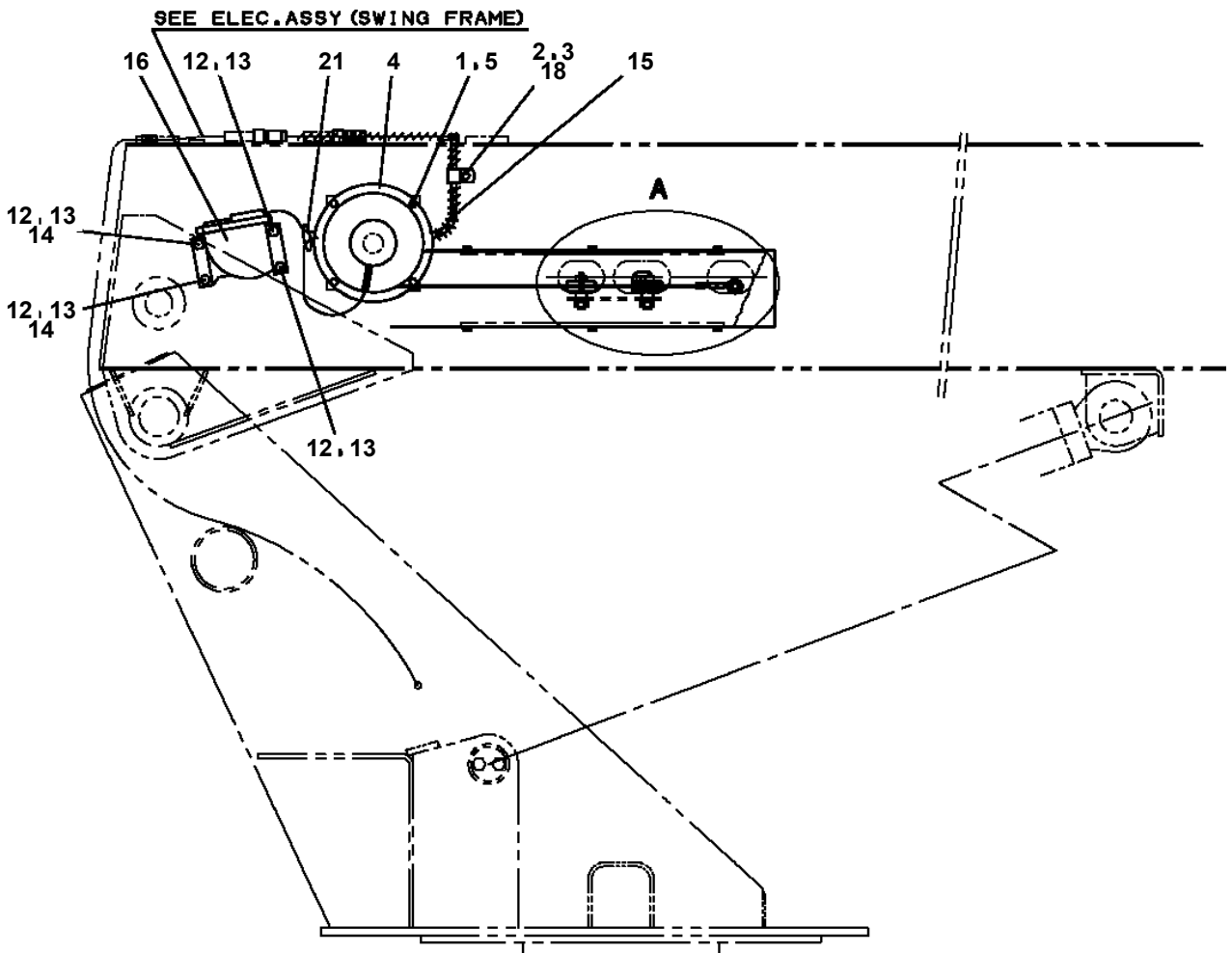
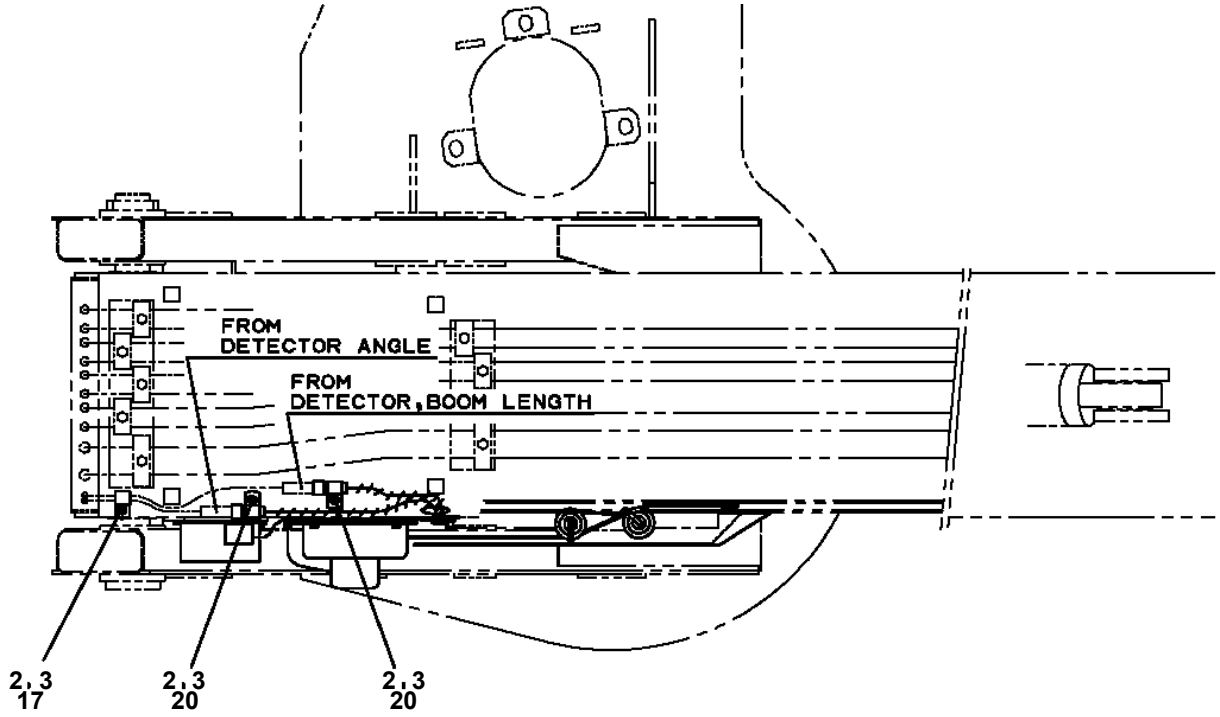
△ : PACKING SET KEY NO.42 (KEY NO.7,10,11,12,13,14,15,16,22,23,24,26)

LS-1800-2-42822 UPPER,LOWER ISUZU SKG-NPR85YN
PG5180003-00 GENERATOR ASSY

100



LS-1800-2-42822 UPPER, LOWER ISUZU SKG-NPR85YN
PH1380023-01 CONNECTION, WORKING AREA LIMITER



LS-1800-2-42822 UPPER,LOWER ISUZU SKG-NPR85YN

Pos No.	Parts No	Parts Name	Qty	Unit	Technical Data	Serial No (Start)	Serial No (End)	Remarks	Pages
45	82182809623	DIODE	2						
100	42355640010	HARNESS	1						

LS-1800-2-42822 UPPER,LOWER ISUZU SKG-NPR85YN

Pos No.	Parts No	Parts Name	Qty	Unit	Technical Data	Serial No (Start)	Serial No (End)	Remarks	Pages
100	42352260500	HARNESS	1						

CLICK HERE TO **DOWNLOAD** THE COMPLETE MANUAL

- Thank you very much for reading the preview of the manual.
- You can download the complete manual from: www.heydownloads.com by clicking the link below



- Please note: If there is no response to CLICKING the link, please download this PDF first and then click on it.

CLICK HERE TO **DOWNLOAD** THE COMPLETE MANUAL

LS-1800-2-42822 UPPER,LOWER ISUZU SKG-NPR85YN

Pos No.	Parts No	Parts Name	Qty	Unit	Technical Data	Serial No (Start)	Serial No (End)	Remarks	Pages
100	42936220101	HARNESS	1						

LS-1800-2-42822 UPPER,LOWER ISUZU SKG-NPR85YN

Pos No.	Parts No	Parts Name	Qty	Unit	Technical Data	Serial No (Start)	Serial No (End)	Remarks	Pages
1	42806830800	HARNESS	1						

LS-1800-2-42822 UPPER,LOWER ISUZU SKG-NPR85YN

Pos No.	Parts No	Parts Name	Qty	Unit	Technical Data	Serial No (Start)	Serial No (End)	Remarks	Pages
13	34351562510	BOX,FUSE	1						
14	82100001841	FUSE	4		20A,YELLOW				
15	82100001839	FUSE	9		10A.RED				
22	82161202010	RELAY	2						
50	82100001837	FUSE	2		5A				
54	82182819823	DIODE	2		1.5A				
100	42653450102	HARNESS	1						

LS-1800-2-42822 UPPER,LOWER ISUZU SKG-NPR85YN

Pos No.	Parts No	Parts Name	Qty	Unit	Technical Data	Serial No (Start)	Serial No (End)	Remarks	Pages
100	42800040030	HARNESS	1						

LS-1800-2-42822 UPPER,LOWER ISUZU SKG-NPR85YN

Pos No.	Parts No	Parts Name	Qty	Unit	Technical Data	Serial No (Start)	Serial No (End)	Remarks	Pages
1	36625755070	BODY ASSY	1						
4	37001201680	SPRING	1						
5	36625755040	PLUG	1						
6	91002801400	O-RING	4		1B P14				
7	36625755050	PISTON	1						
8	80316070120	PLUG	1		G1				
9	91002802900	O-RING	1		1B P29				
10	80316090020	PLUG	5		KKT PT1/8				
11	36625755060	ORIFICE	1						
100	36625750000	VALVE,CHECK	1						

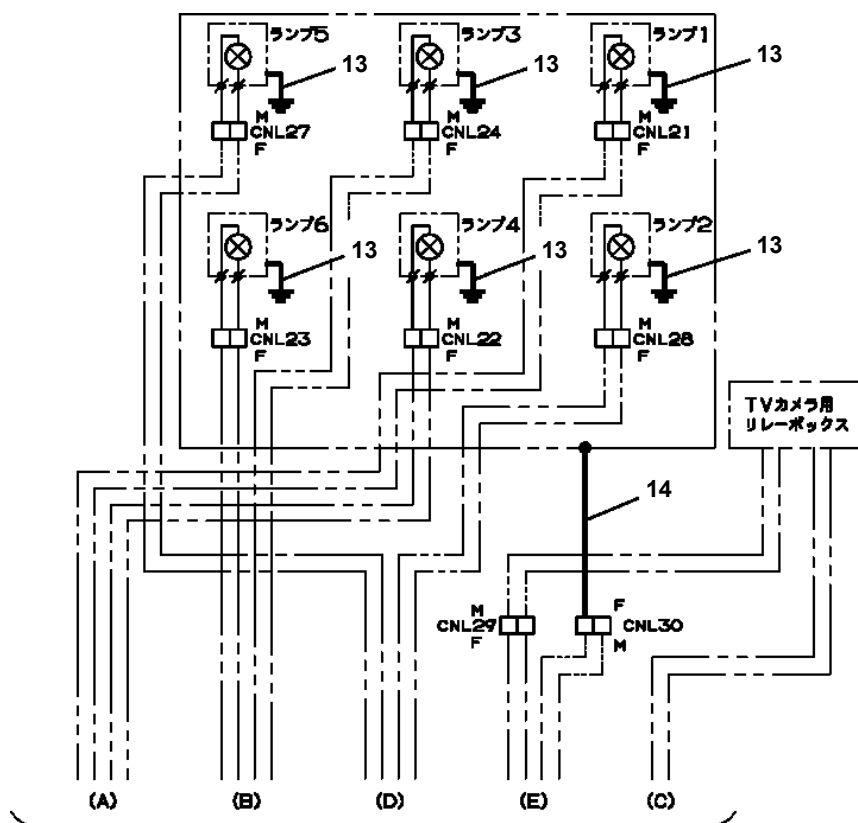
LS-1800-2-42822 UPPER,LOWER ISUZU SKG-NPR85YN

Pos No.	Parts No	Parts Name	Qty	Unit	Technical Data	Serial No (Start)	Serial No (End)	Remark
3	91002801400	O-RING	3		1B P14			
7	36601665020	SPRING	1					
10	91001001000	O-RING	1		1A S10			
11	36601665030	SPRING	1					
13	91002803400	O-RING	1		1B P34			
14	36601665050	O-RING	1		P25			
15	91410002500	RING,BACKUP	1		P25			
18	91002802600	O-RING	1		1B P26			
19	91001301600	O-RING	1		WP16			
20	91002801000	O-RING	1		1B P10			
21	91410001000	RING,BACKUP	1		P10			
50	36605570000	VALVE,COUNTERBALANCE	1					

LS-1800-2-42822 UPPER,LOWER ISUZU SKG-NPR85YN

Pos No.	Parts No	Parts Name	Qty	Unit	Technical Data	Serial No (Start)	Serial No (End)	Remarks	Pages
2	42330037810	KNOB	1						
3	42332007600	BOOT	1						
4	42331497610	SWITCH,MICRO	1						
100	42355641030	LEVER,CONTROL	1						

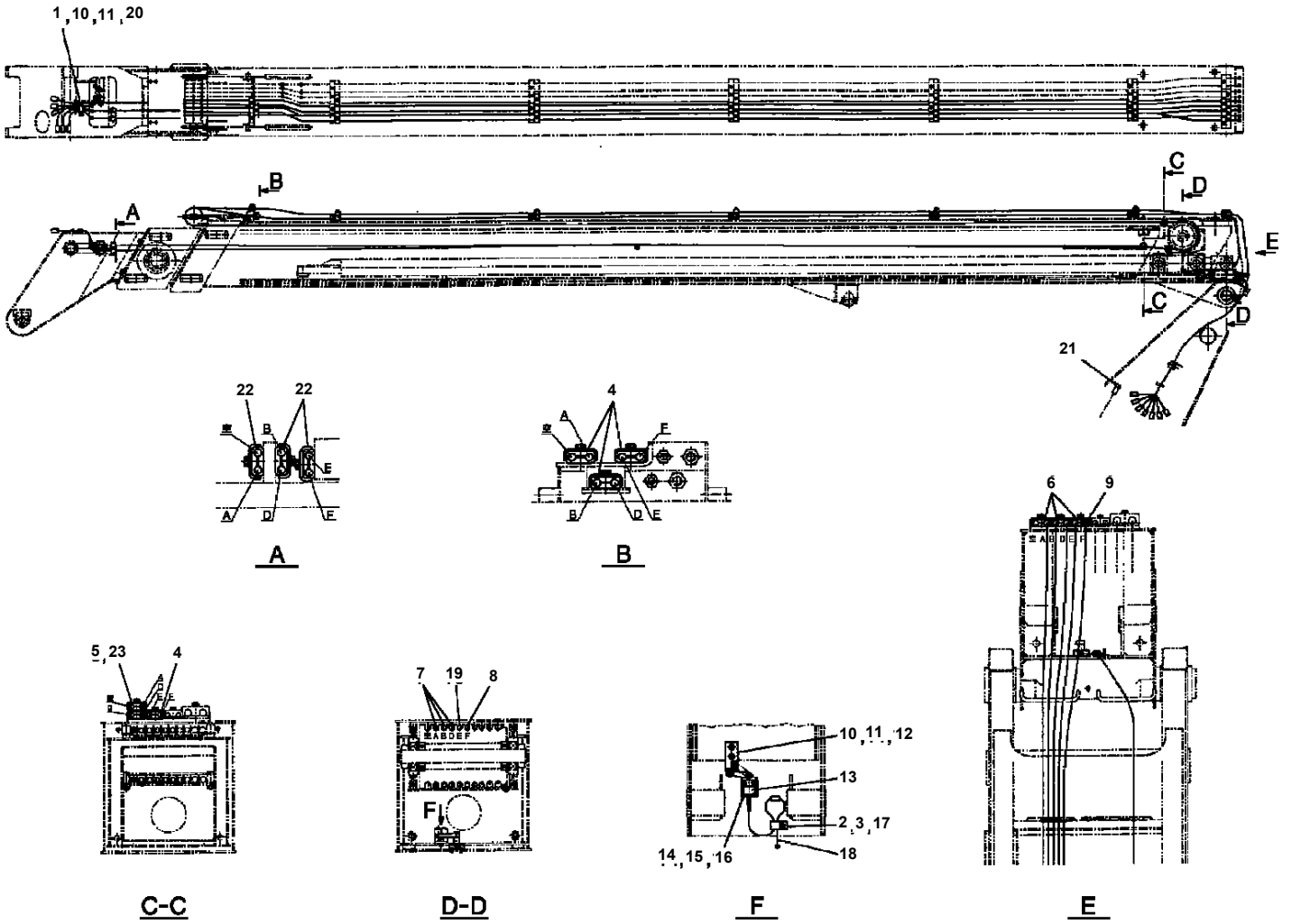
LS-1800-2-42822 UPPER,LOWER ISUZU SKG-NPR85YN
 PL5020036-00 LAMP ASSY



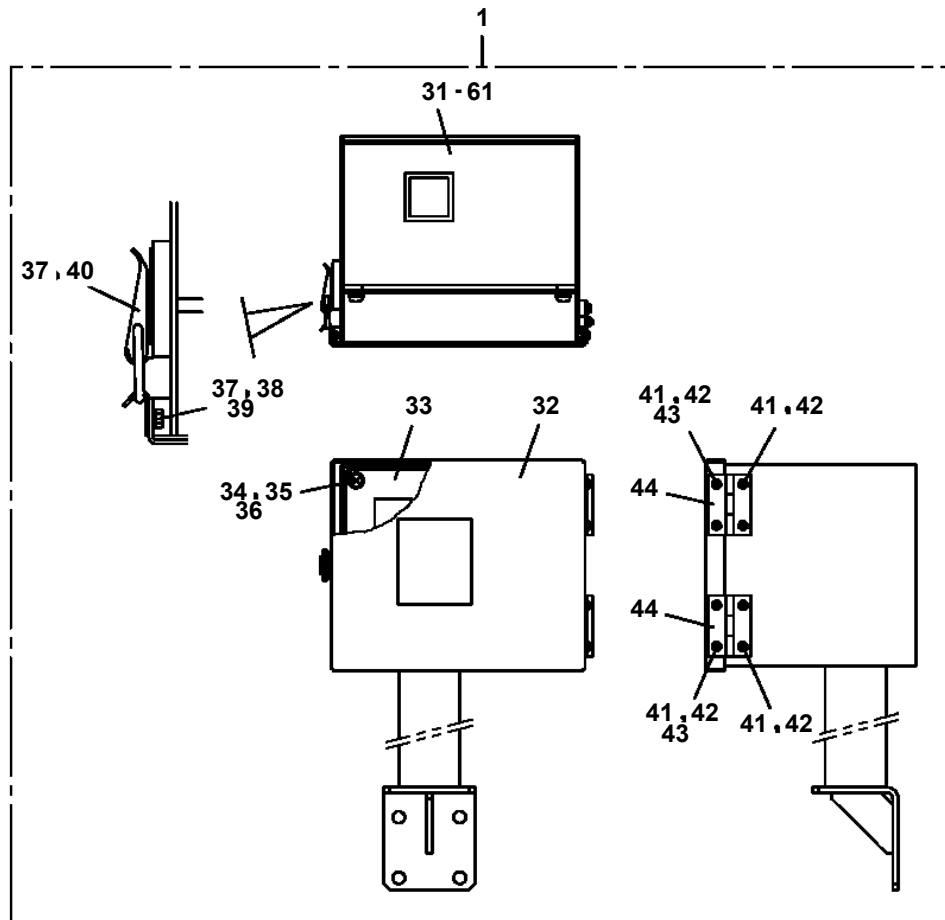
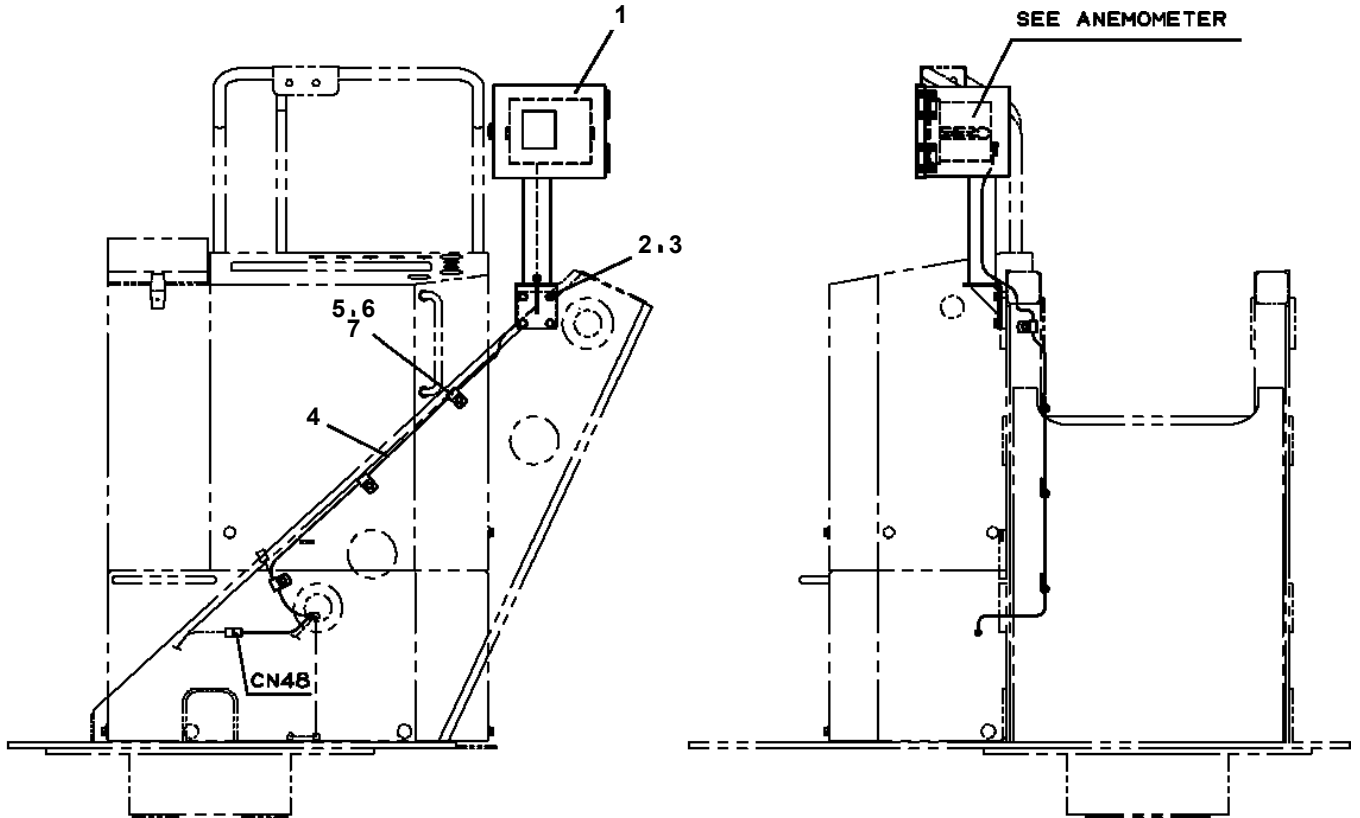
サブからのハーネス

配線詳細図

LS-1800-2-42822 UPPER,LOWER ISUZU SKG-NPR85YN
PN1012727-01 ELEC.ASSY (BOOM)

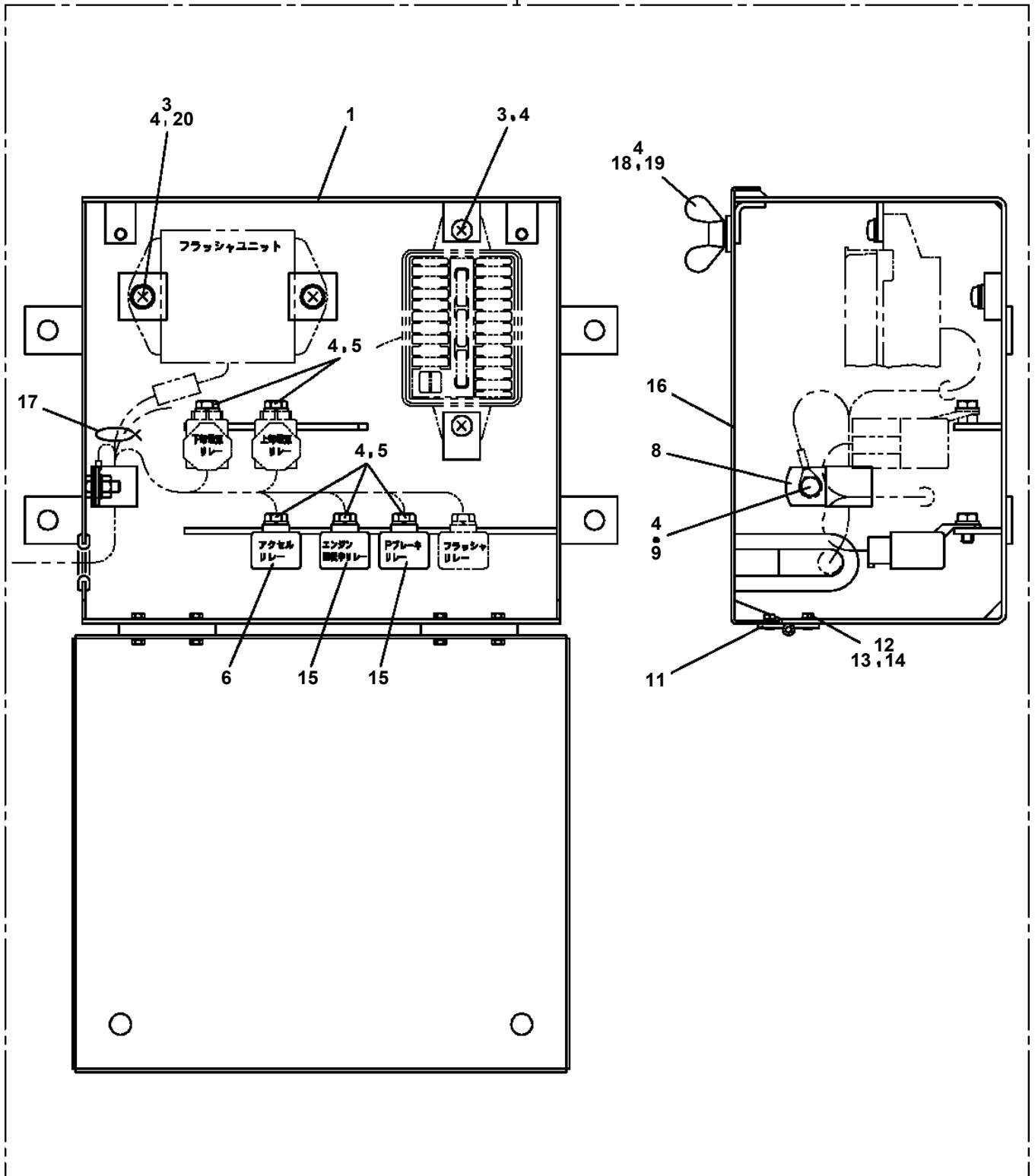


LS-1800-2-42822 UPPER, LOWER ISUZU SKG-NPR85YN
PN1014170-00 ELEC.ASSY (ANEMOMETER)



LS-1800-2-42822 UPPER,LOWER ISUZU SKG-NPR85YN
 PN1100036-00 RELAY BOX

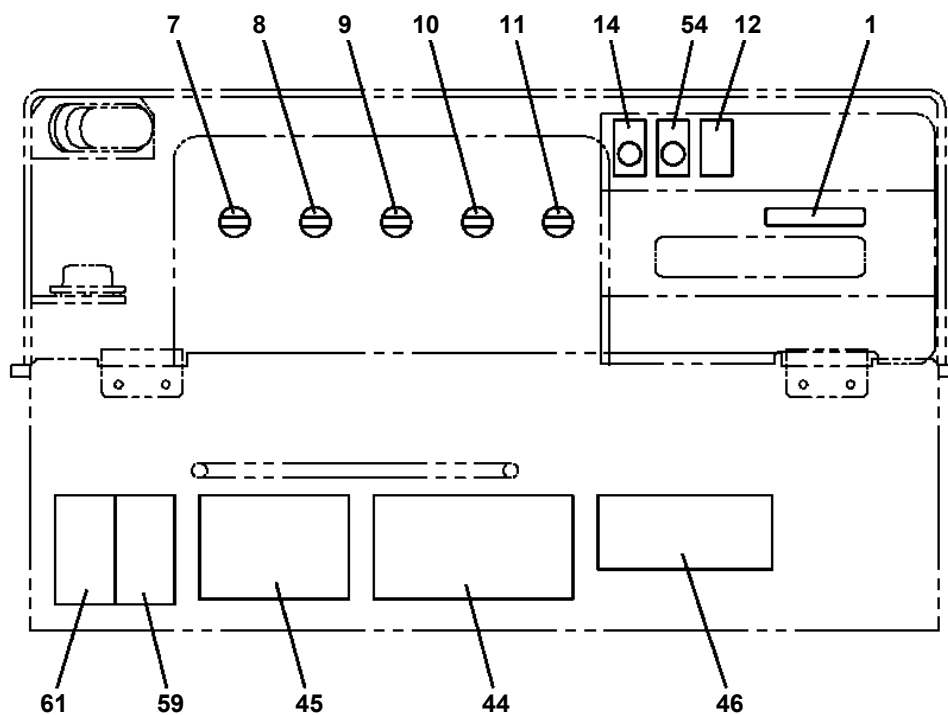
100



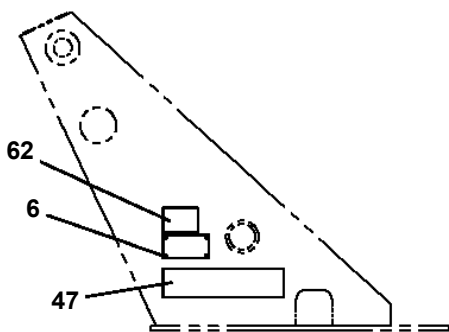
LS-1800-2-42822 UPPER,LOWER ISUZU SKG-NPR85YN

Pos No.	Parts No	Parts Name	Qty	Unit	Technical Data	Serial No (Start)	Serial No (End)	Remarks	Pages
1	37002222390	PLATE,NAME	1						
4	42805473050	PLATE,CAUTION	1						
5	42941480230	PLATE,NAME	1						
6	42397662100	PLATE,NAME	1						
7	42399082010	PLATE,NAME	1						
8	42397662300	PLATE,CAUTION	1						
9	42394412040	PLATE,CAUTION	1						
10	42394472040	PLATE,NAME	1						
11	42397662400	PLATE,NAME	1						

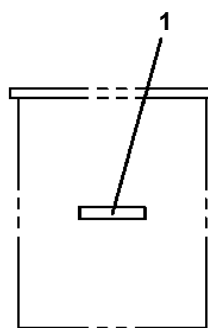
LS-1800-2-42822 UPPER,LOWER ISUZU SKG-NPR85YN
 PO1015040-01 PLATE ASSY,NAME (UPPER)



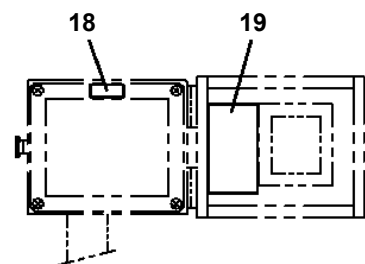
C



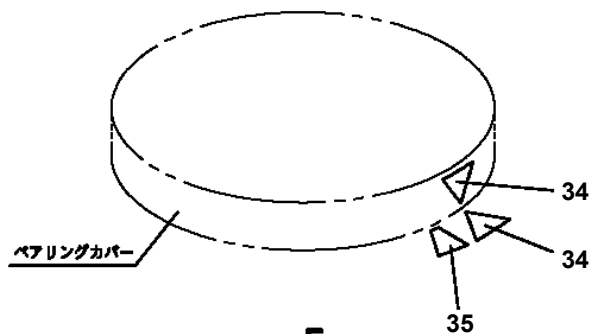
I



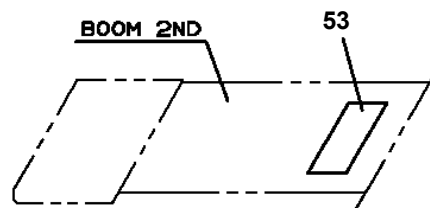
AMC本体



J
 扉を開いた状態



F



LS-1800-2-42822 UPPER,LOWER ISUZU SKG-NPR85YN

Pos No.	Parts No	Parts Name	Qty	Unit	Technical Data	Serial No (Start)	Serial No (End)
1	42653451100	PANEL	1				
2	42653451201	INDICATOR ASSY,OUTRIGGER	1				
3	80192486014	SCREW,MACHINE (WITH WASHER)	4		M6X14		
4	90302040601	WASHER,SPRING	4		6		
5	90201200600	NUT	4		M6		
6	42736070100	SWITCH ASSY (WITH HARNESS)	3				
7	82199504017	NUT	3		AT-401N		
8	82197518114	CAP (MATSUSHITA/BLACK)	3				
	82197518119	CAP (PLUS ONE MFG./BLACK)	3				
9	44320516500	PLUG (12 POLES,FEMALE)	1				
10	42352970010	PLUG (14 POLES,FEMALE)	1				
11	82198300302	PLUG	1				
31	42652802001	INDICATOR,OUTRIGGER	1				
32	42653451210	PLATE,NAME	1				
100	42653451001	PANEL ASSY,CONTROL	1				

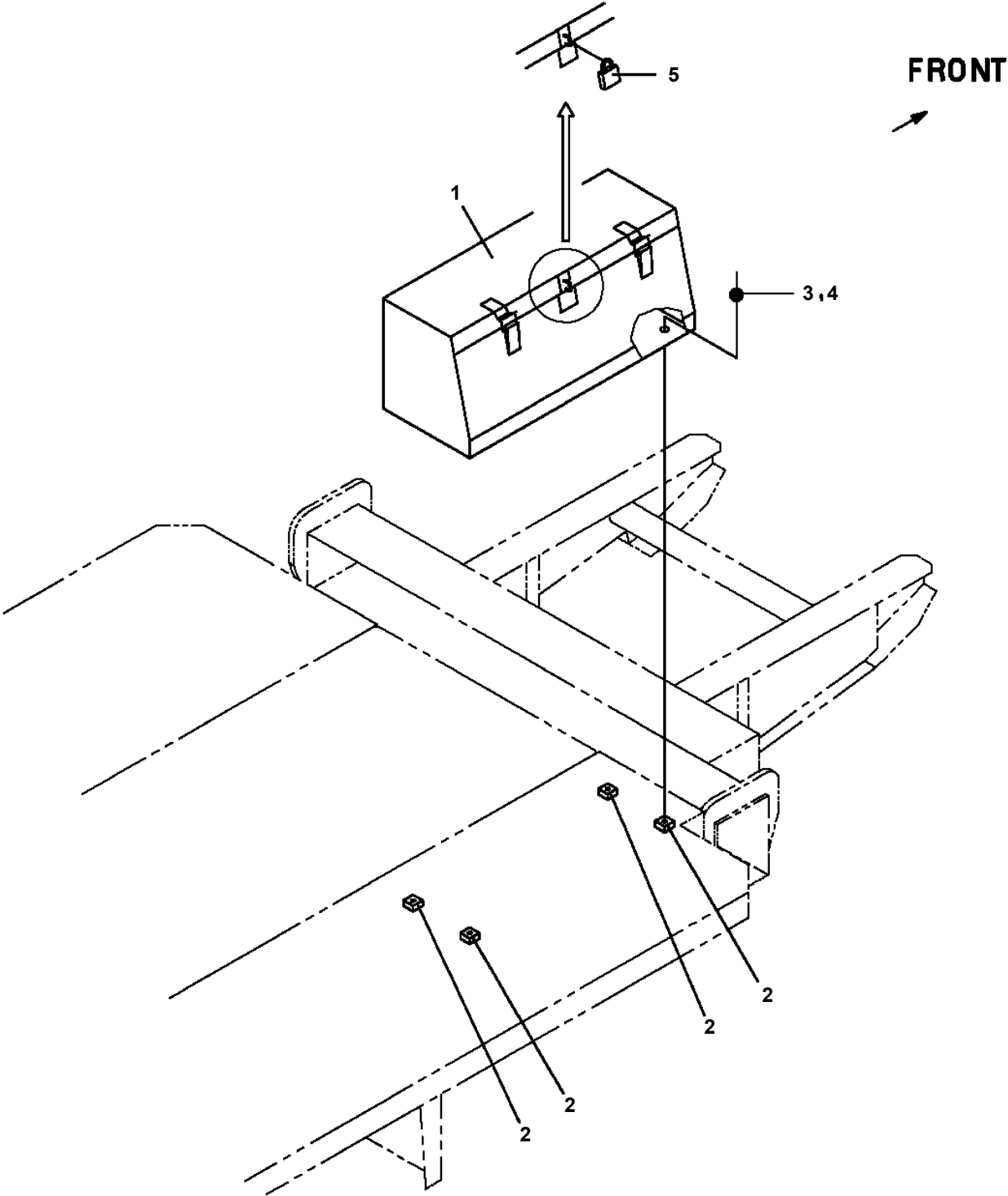
LS-1800-2-42822 UPPER,LOWER ISUZU SKG-NPR85YN

Pos No.	Parts No	Parts Name	Qty	Unit	Technical Data	Serial No (Start)	Serial No (End)
1	42461050200	STOPPER,TIRE	4				
2	37004100040	PUMP,GREASE (DOMESTIC)	1				
4	42460821100	BLOCK,RUBBER (WAZUMI)	4				HD0270
	42460821200	BLOCK,RUBBER (NAKAMURA)	4				HD0270
	42461270200	BLOCK,RUBBER (JUSTIN,ASSY ONLY)	4			HD0271	
13	42460192000	TOOLS	1				

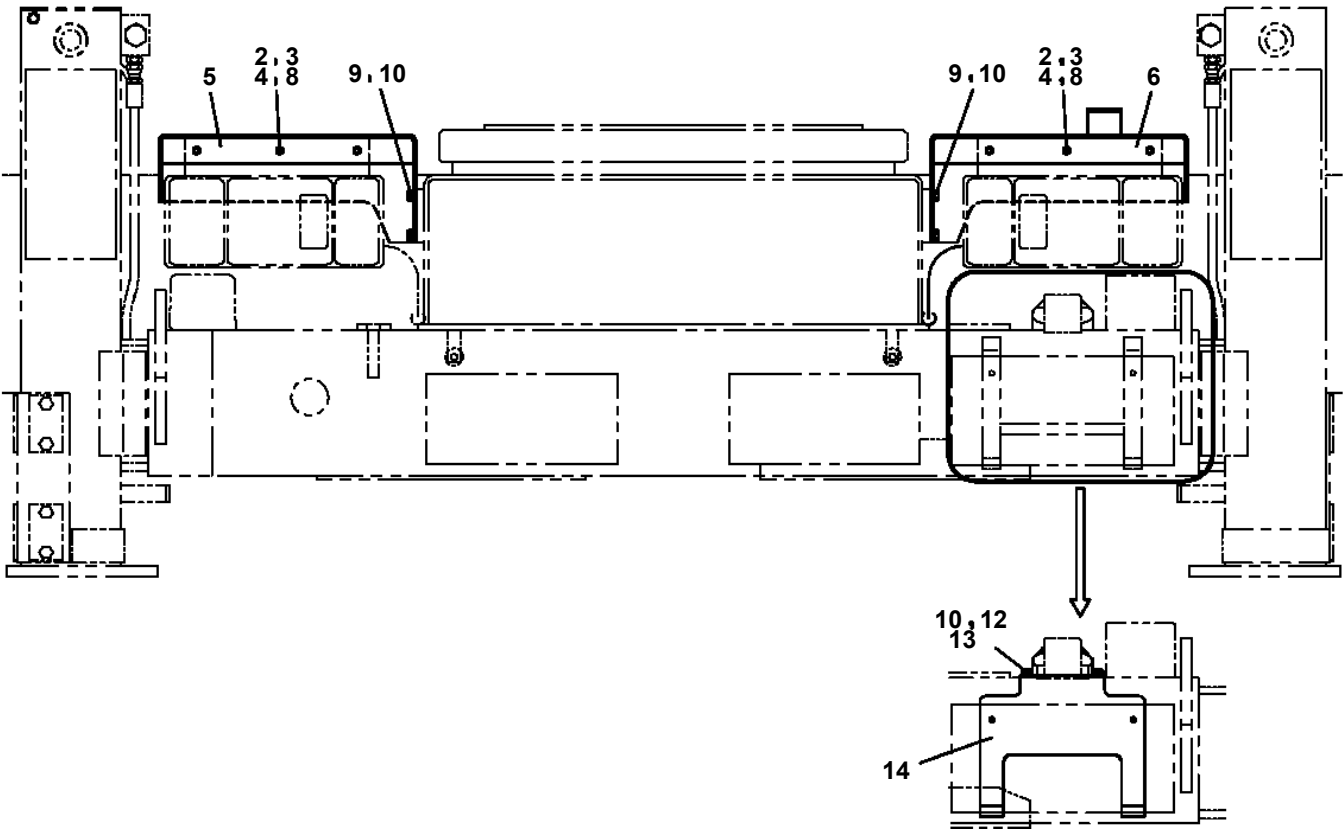
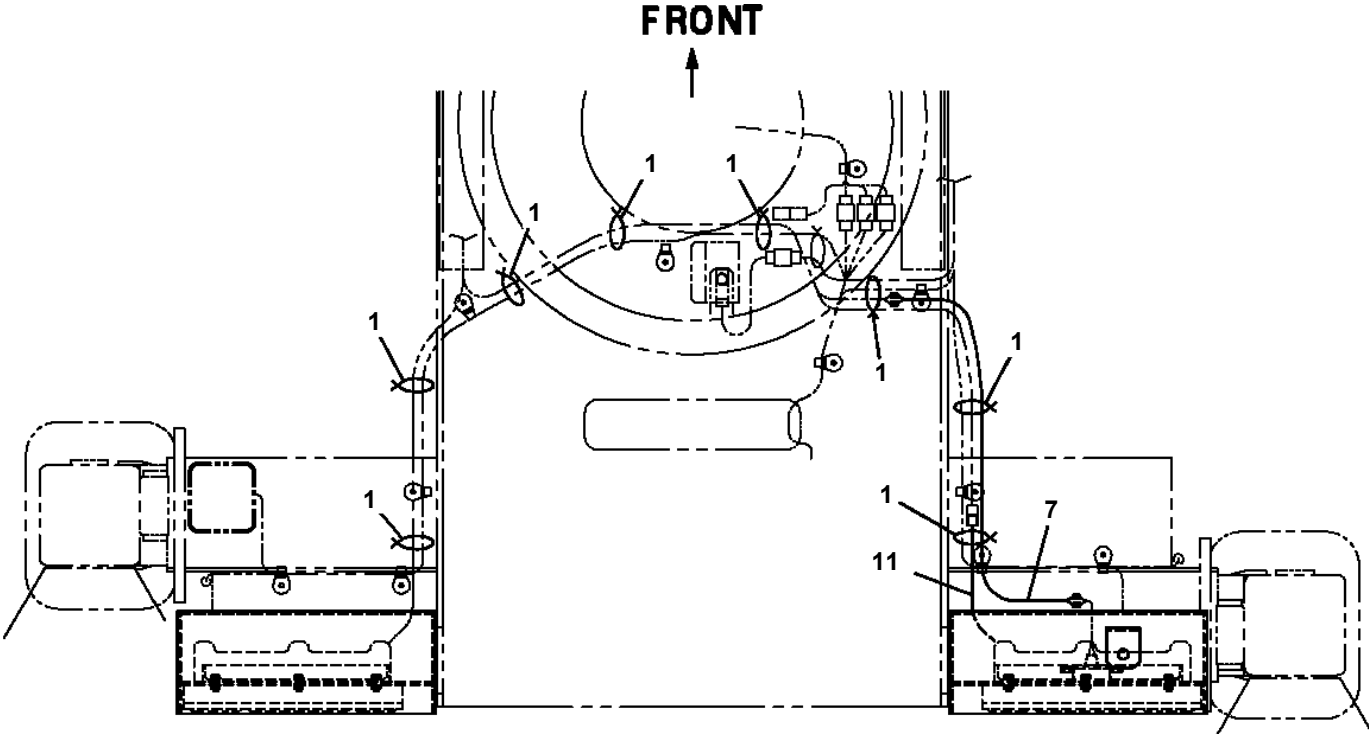
LS-1800-2-42822 UPPER,LOWER ISUZU SKG-NPR85YN

Pos No.	Parts No	Parts Name	Qty	Unit	Technical Data	Serial No (Start)	Serial No (End)	Remarks	Pages
1	42875351000	SUPPORT	1						
2	90171112022	BOLT	8		M12X22				
3	90302041201	WASHER,SPRING	8		12				
4	42873270200	SUPPORT	1						
5	90101210055	BOLT	8		M10X55				
6	90302041001	WASHER,SPRING	8		10				
7	90303071001	WASHER,PLAIN	8		10				
8	42873150200	CUSHION	2						
9	90101208025	BOLT	4		M8X25				
10	90302040801	WASHER,SPRING	4		8				
11	37000572420	PLATE	N		T=0.5				
12	37000572430	PLATE	N		T=1.0				
13	37000572440	PLATE	N		T=3.0				
14	42873270300	PLATE	N		T=1.0				
15	37000575980	PLATE	4						
33	42872870130	RUBBER	2		T=9				
45	42872870450	RUBBER	2		T=6				

LS-1800-2-42822 UPPER,LOWER ISUZU SKG-NPR85YN
PX1350934-02 BOX,TOOL



LS-1800-2-42822 UPPER, LOWER ISUZU SKG-NPR85YN
PX5740012-01 MOUNT ASSY, TAIL LAMP



CLICK HERE TO **DOWNLOAD** THE COMPLETE MANUAL

- Thank you very much for reading the preview of the manual.
- You can download the complete manual from: www.heydownloads.com by clicking the link below



- Please note: If there is no response to CLICKING the link, please download this PDF first and then click on it.

CLICK HERE TO **DOWNLOAD** THE COMPLETE MANUAL