

LS-1800-1-42411 UPPER,LOWER ISUZU PB-NPS81N-L5LXDY

PD2000068-00 SWING UNIT

PG2000075-00 BOOM UNIT

PH1000554-00 SAFETY DEVICES (WORKING AREA LIMITER)

PK2000248-00 FRAME UNIT

PN2000005-00 LIGHTING UNIT

PO1000154-00 INDICATION PLATES

PW1000109-01 ACCESSORIES & TOOLS

PX2000347-00 CARRIER UNIT

PX3000257-00 MOUNTING UNIT

ASSEMBLY

CLICK HERE TO **DOWNLOAD** THE COMPLETE MANUAL

- Thank you very much for reading the preview of the manual.
- You can download the complete manual from: www.heydownloads.com by clicking the link below



- Please note: If there is no response to CLICKING the link, please download this PDF first and then click on it.

CLICK HERE TO **DOWNLOAD** THE COMPLETE MANUAL

LS-1800-1-42411 UPPER,LOWER ISUZU PB-NPS81N-L5LXDY

Pos No.	Parts No	Parts Name	Qty	Unit	Technical Data	Serial No (Start)	Serial No (End)	Remarks	Pa
1	(*****)	TILTING SYSTEM,LAMP	1						000

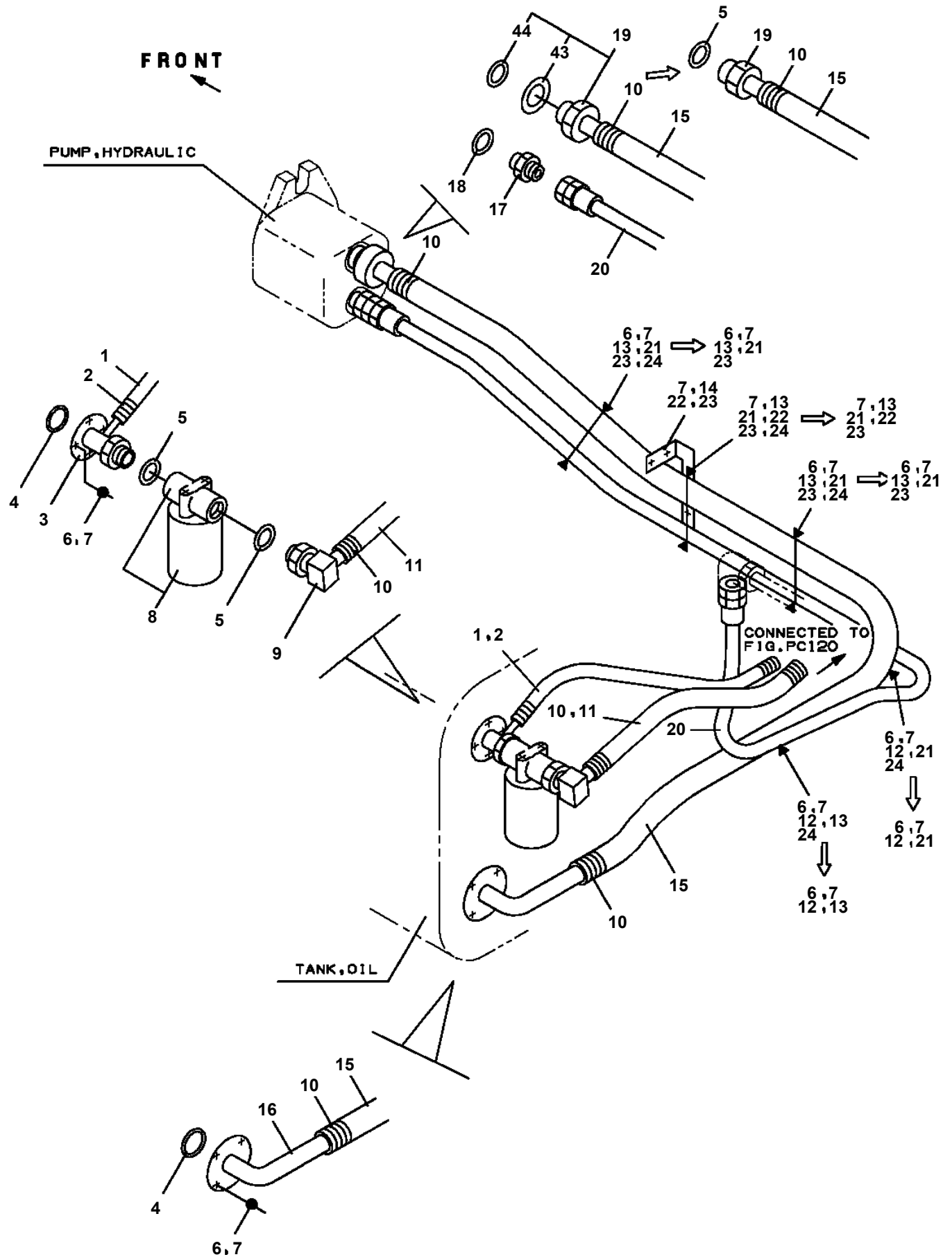
LS-1800-1-42411 UPPER,LOWER ISUZU PB-NPS81N-L5LXDY

PI1140003-01 VALVE,CHECK
PI1140162-01 VALVE,CHECK
PI1250006-03 VALVE,COUNTERBALANCE
PI1250027-00 VALVE,COUNTERBALANCE
PI1250040-02 VALVE,COUNTERBALANCE
PI1250063-00 VALVE,COUNTERBALANCE
PI1300061-02 FILTER,OIL (YAMASHIN)
PK1010588-00 FRAME
PK1100375-00 SWING FRAME
PK1200314-01 COVER,SWING FRAME
PL1010765-00 OPERATION SYSTEM, CONTROL VALVE
PL1030807-01 OPE.ASSY,ACCELERATOR
PM5230001-01 MOTOR,OIL
PN1012404-03 ELEC.ASSY (FRAME)
PN1012713-04 ELEC.ASSY (FRAME)
PN1012715-01 ELEC.ASSY (BOOM)
PN1013057-01 ELEC.ASSY (JIB)
PN1013058-01 ELEC.ASSY (SWING FRAME)
PN1013061-00 ELEC.ASSY
PN1013772-02 ELEC.ASSY (CARRIER)
PN1060100-02 SWITCH PANEL
PN1080090-01 LAMP (FLOOD LIGHT)
PN1080094-01 LAMP (HALOGEN LIGHT/AC120V 300W)
PN1080096-01 LAMP (WORKING)
PN1080144-00 LAMP
PN1110239-00 RELAY
PN1130001-01 ANEMOMETER INSTALLATION (BOOM HEAD)
PN1130005-00 ANEMOMETER
PN1350029-01 REEL,CORD (FOR EARTHING)
PN1350117-00 REEL,CORD
PN1450036-00 HARNESS
PO1013080-02 PLATE ASSY,NAME (UPPER)
PO1013081-01 PLATE ASSY,NAME (GENERATOR)
PO1013414-02 PLATE ASSY,NAME (LOWER)
PO1050008-00 MARKING (BOOM)
PP5500003-00 PUMP,OIL (32CC:L)
PQ1100039-00 TANK,FUEL
PQ1150002-00 PUMP,FUEL
PR5050026-00 REEL ASSY,CORD
PV1020200-01 VALVE,REMOTE CONTROL
PW1010413-00 ACCESSORIES
PW1030049-01 TOOLS
PW1050018-01 WEDGE (STOPPER FOR TIRE/JUSTIN)
PW5110002-00 WEDGE (STOPPER FOR TIRE/WAZUMI)
PW5110003-00 WEDGE (STOPPER FOR TIRE/NAKAMURA KIKI)
PX1030378-01 FENDER
PX1100005-01 TANK SUPPORT INSTALLATION
PX1120371-02 BOOM REST INSTALLATION
PX1170504-00 ATTACHMENT PARTS, CRANE FRAME
PX1200376-01 SIDE GUARD INSTALLATION
PX1210012-00 GUARD INSTALLATION
PX1290332-00 WEIGHT INSTALLATION
PX1310096-00 MOUNT,LAMP (TAIL)
PX1360015-01 REFLECTOR INSTALLATION
PX1390635-04 MODIFICATION PARTS
PX1480024-01 MOUNT,GENERATOR
PX1640007-00 BOARD (SWITCH BOARD)
PX1830013-00 COUPLING
PY1650066-02 EARTHING DEVICE

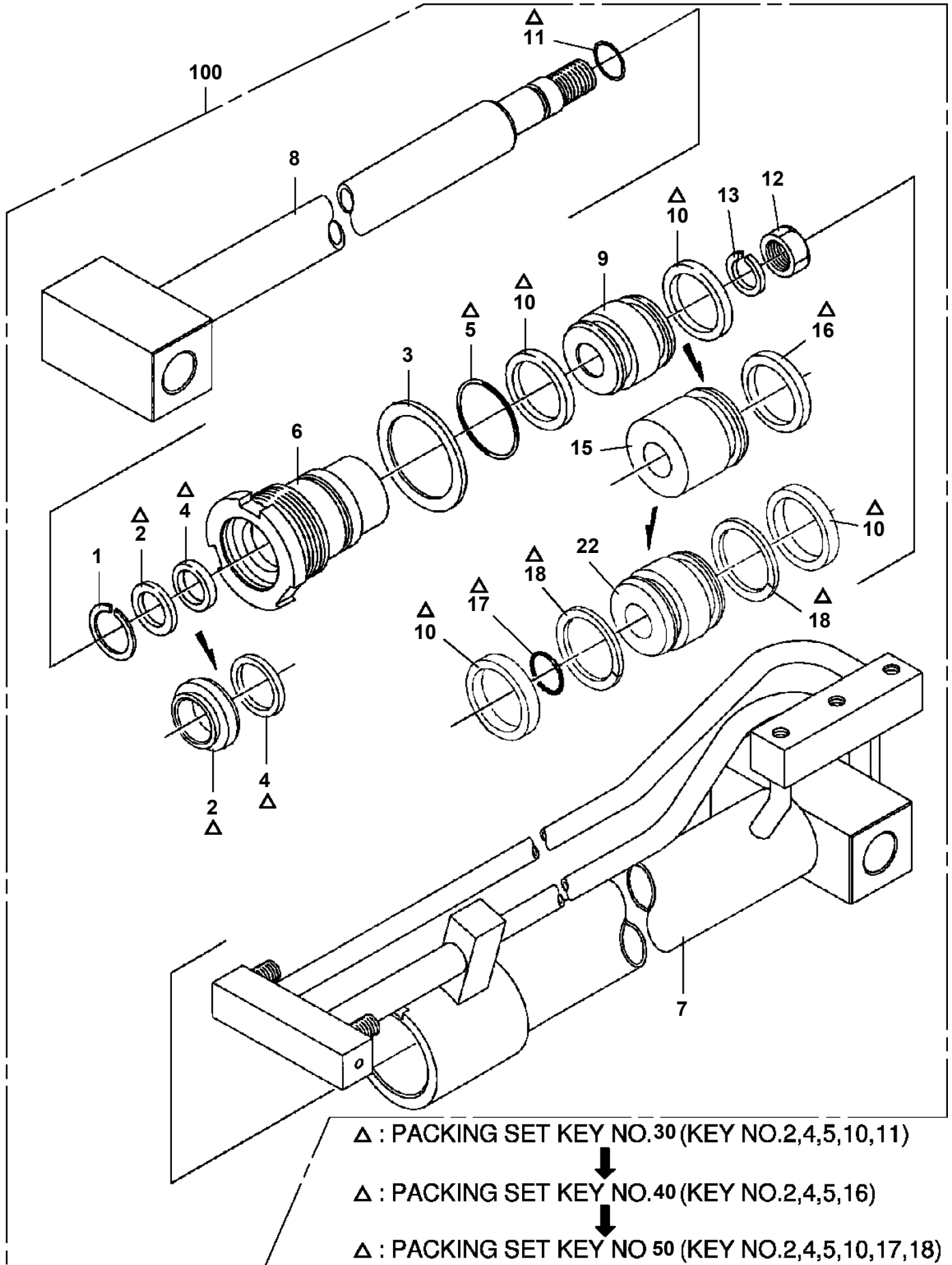
LS-1800-1-42411 UPPER,LOWER ISUZU PB-NPS81N-L5LXDY

Pos No.	Parts No	Parts Name	Qty	Unit	Technical Data	Serial No (Start)	Serial No (End)	Remarks
2	42630682001	BRUSH,ROTARY JOINT	1					
3	90101208022	BOLT	3		M8X22			
4	90302040801	WASHER,SPRING	3		8			
21	53154004000	BUSH (THRUST)	1					
22	42630551100	BODY	1					
23	42630681100	CORE	1					
24	91531211000	PACKING	2					
25	91100211000	SEAL,RING	2					
26	82456101000	NIPPLE,GREASE	1		A-PT1/8			
27	42630681200	JOINT	1					
28	91002802200	O-RING	1		1B P22			
29	91002801800	O-RING	1		1B P18			
30	91002801400	O-RING	1		1B P14			
31	91002801100	O-RING	1		1B P11			
32	90131510050	BOLT,HEXAGON SOCKET	3		M10X50			
33	90302041001	WASHER,SPRING	3		10			
50	42630680000	JOINT,ROTARY	1					

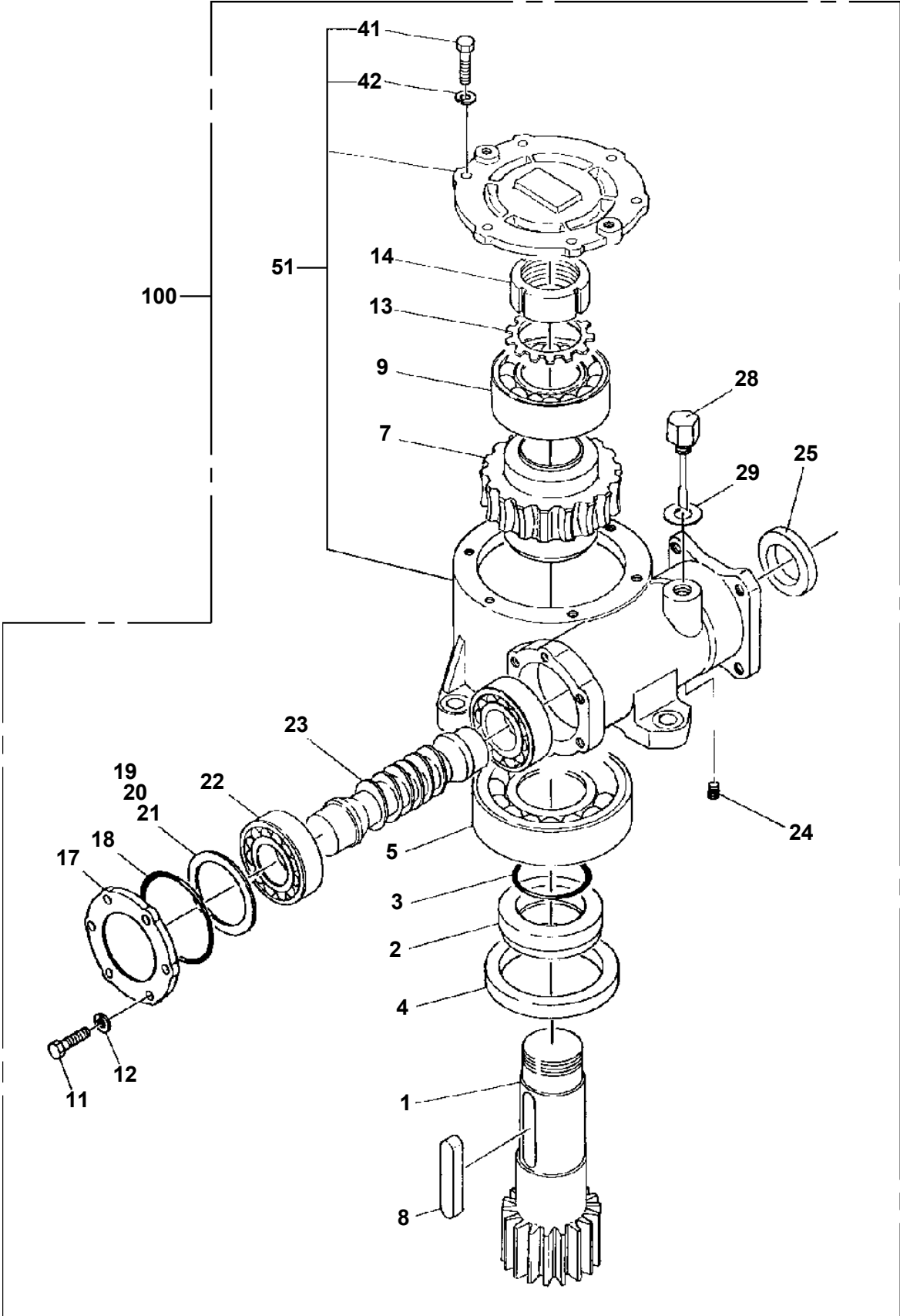
**LS-1800-1-42411 UPPER,LOWER ISUZU PB-NPS81N-L5LXDY
PB1411033-01 PIPING,HYDRAULIC LOWER**



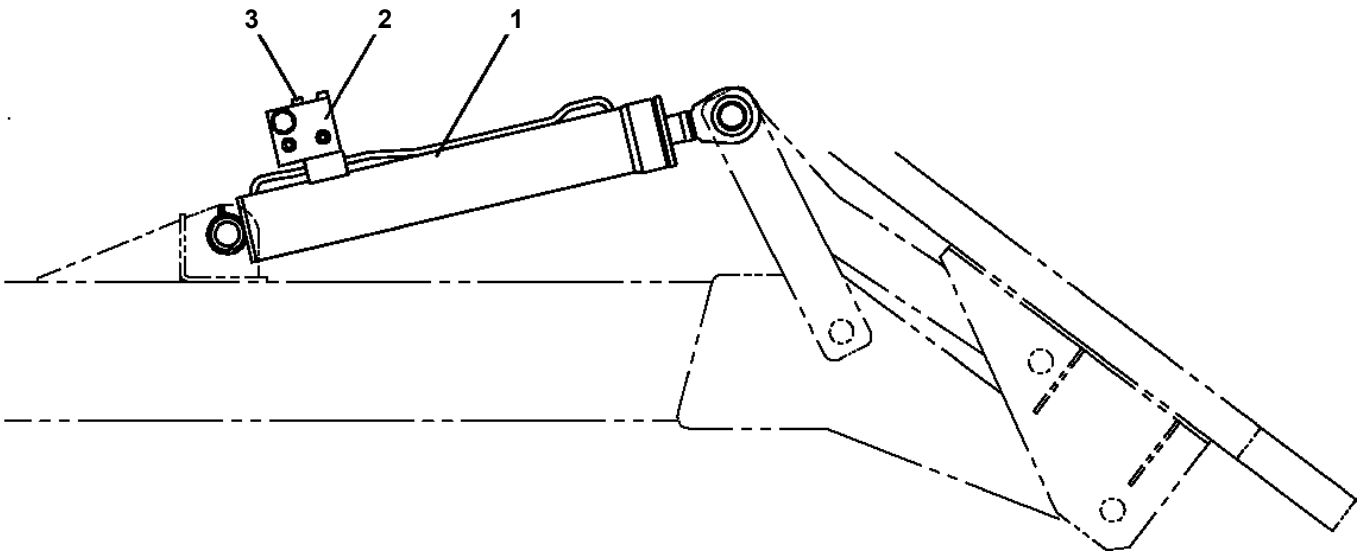
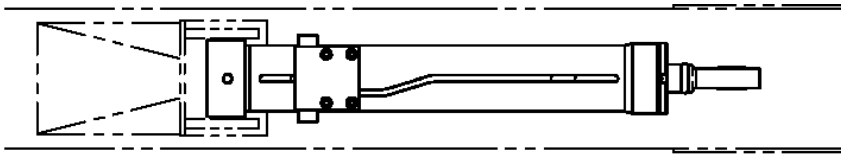
**LS-1800-1-42411 UPPER,LOWER ISUZU PB-NPS81N-L5LXDY
PC1050219-00 CYLINDER,EXTENSION (REAR)**



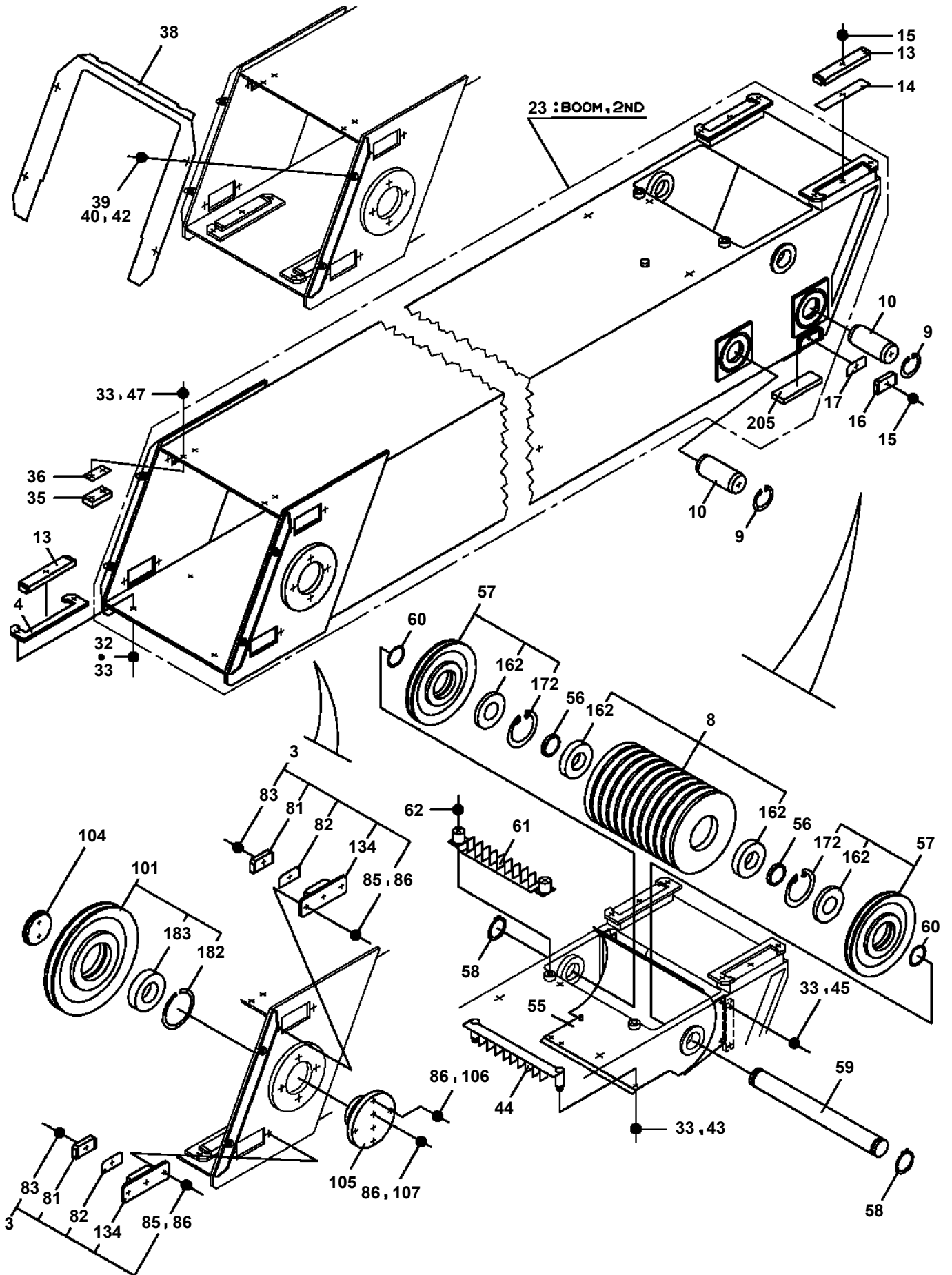
LS-1800-1-42411 UPPER,LOWER ISUZU PB-NPS81N-L5LXDY
PD1010106-01 REDUCER,SWING SPEED



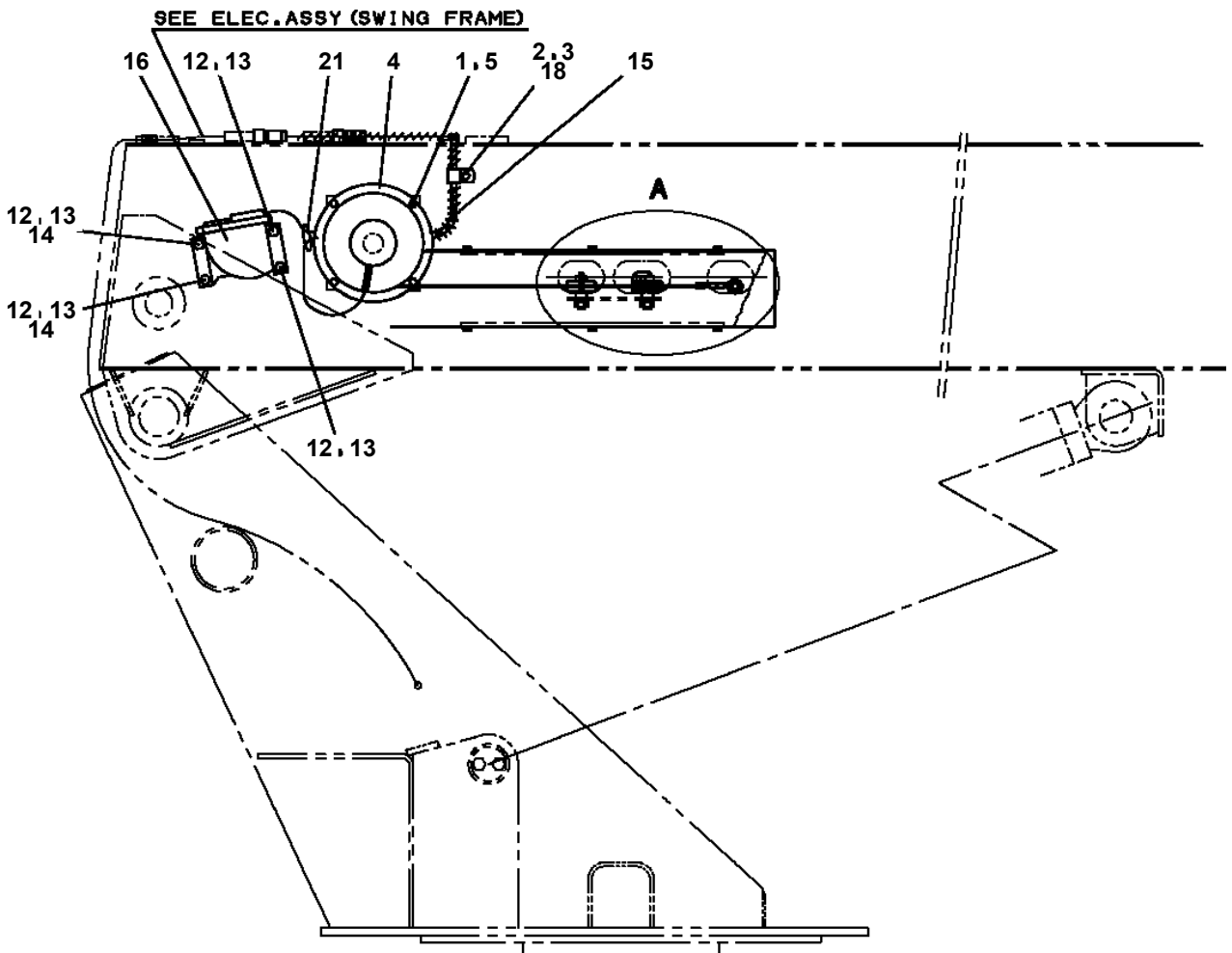
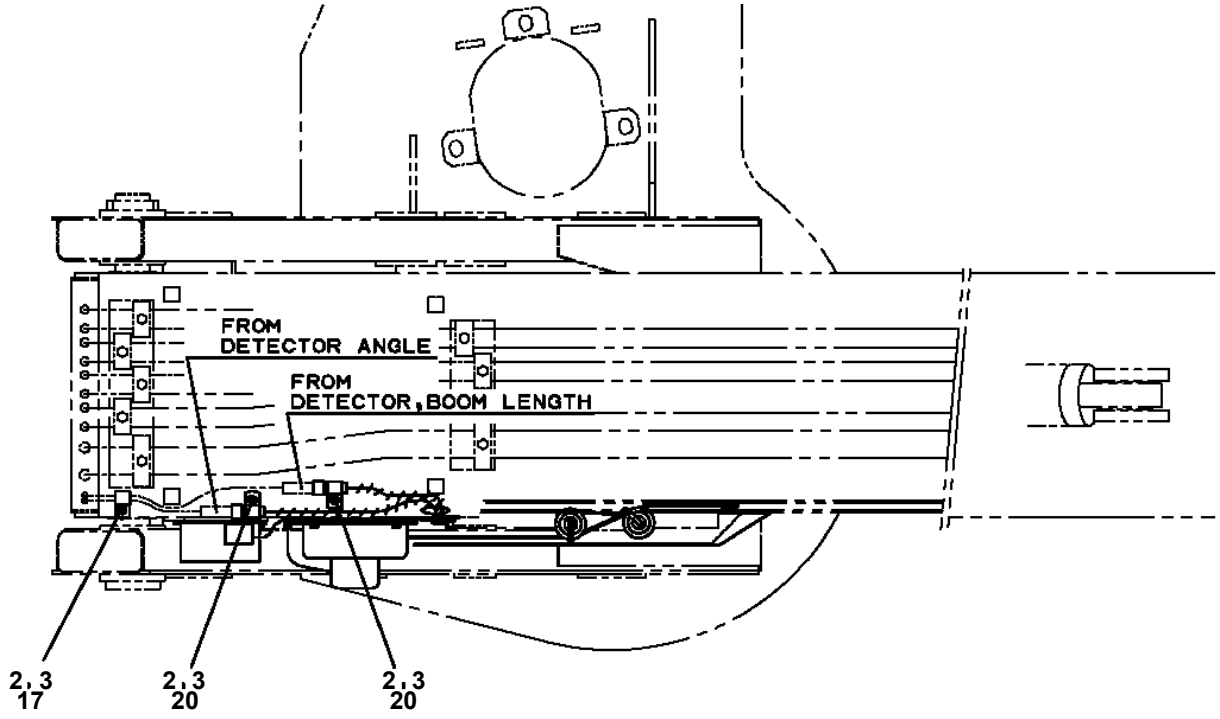
LS-1800-1-42411 UPPER,LOWER ISUZU PB-NPS81N-L5LXDY
PE1390001-00 CYLINDER,TILT (MOUNT)



LS-1800-1-42411 UPPER,LOWER ISUZU PB-NPS81N-L5LXDY
PG1010637-04 BOOM



LS-1800-1-42411 UPPER, LOWER ISUZU PB-NPS81N-L5LXDY
PH1380023-01 CONNECTION, WORKING AREA LIMITER



LS-1800-1-42411 UPPER,LOWER ISUZU PB-NPS81N-L5LXDY

Pos No.	Parts No	Parts Name	Qty	Unit	Technical Data	Serial No (Start)	Serial No (End)	Remarks	Pages
100	42352260100	HARNESS	1						

LS-1800-1-42411 UPPER,LOWER ISUZU PB-NPS81N-L5LXDY

Pos No.	Parts No	Parts Name	Qty	Unit	Technical Data	Serial No (Start)	Serial No (End)	Remarks	Pages
100	42352340200	HARNESS	1						

LS-1800-1-42411 UPPER,LOWER ISUZU PB-NPS81N-L5LXDY

Pos No.	Parts No	Parts Name	Qty	Unit	Technical Data	Serial No (Start)	Serial No (End)	Remarks	Pages
100	42434070400	HARNESS	1						

CLICK HERE TO **DOWNLOAD** THE COMPLETE MANUAL

- Thank you very much for reading the preview of the manual.
- You can download the complete manual from: www.heydownloads.com by clicking the link below



- Please note: If there is no response to CLICKING the link, please download this PDF first and then click on it.

CLICK HERE TO **DOWNLOAD** THE COMPLETE MANUAL

LS-1800-1-42411 UPPER,LOWER ISUZU PB-NPS81N-L5LXDY

Pos No.	Parts No	Parts Name	Qty	Unit	Technical Data	Serial No (Start)	Serial No (End)	Remarks	Pages
100	42651450300	HARNESS	1						

LS-1800-1-42411 UPPER,LOWER ISUZU PB-NPS81N-L5LXDY

Pos No.	Parts No	Parts Name	Qty	Unit	Technical Data	Serial No (Start)	Serial No (End)	Remarks	Pages
100	42612533100	HARNESS	1						

LS-1800-1-42411 UPPER,LOWER ISUZU PB-NPS81N-L5LXDY

Pos No.	Parts No	Parts Name	Qty	Unit	Technical Data	Serial No (Start)	Serial No (End)	Remarks	Pages
1	36620650000	VALVE,CHECK	1						
2	36620030050	PLUG	1						
4	91002801000	O-RING	1		1B P10				
5	52255101000	SPRING	1						
7	91002801400	O-RING	2		1B P14				
8	36620030010	PLUG	1		PF3/8				
9	91002801200	O-RING	2		1B P12				

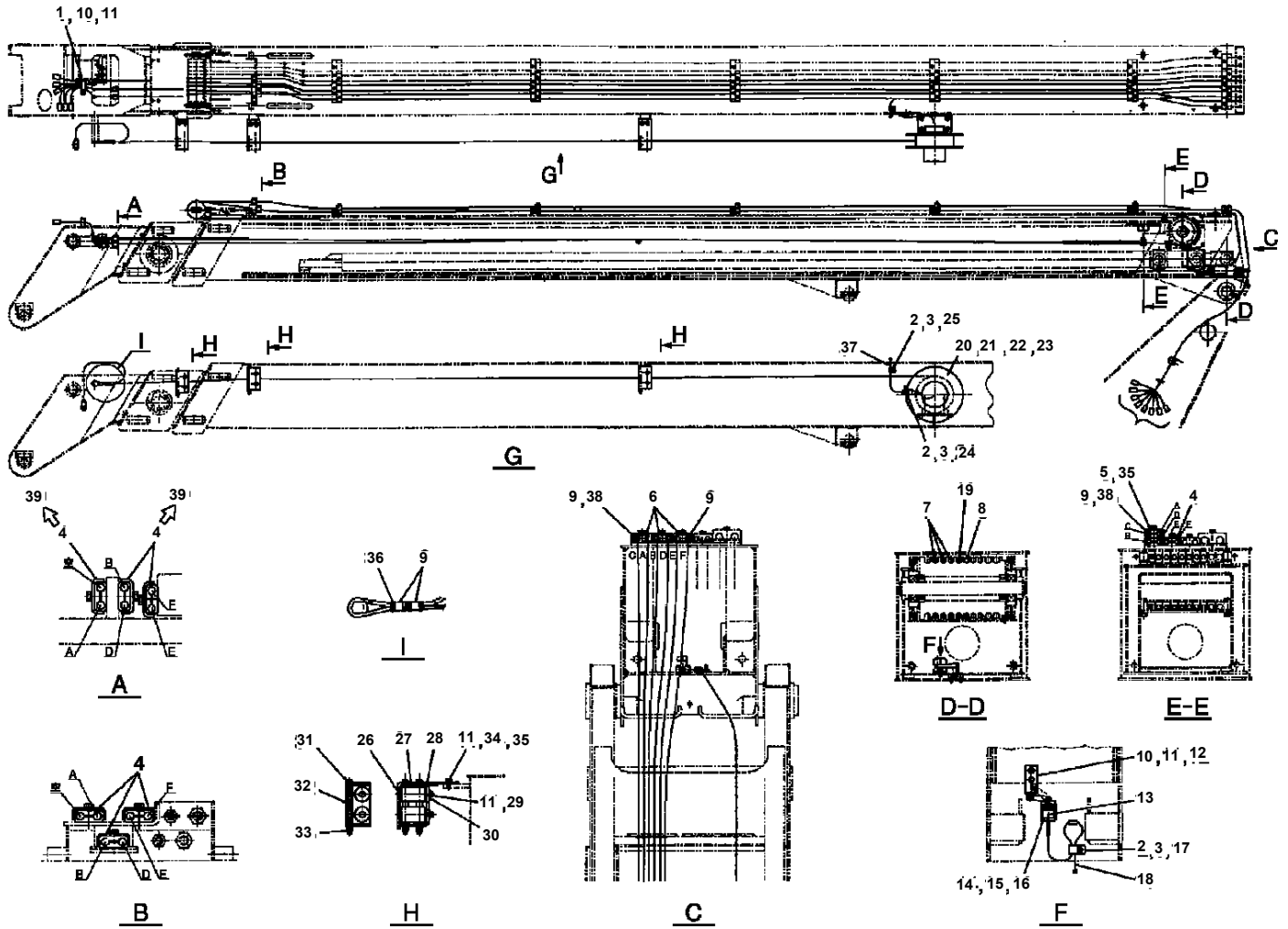
LS-1800-1-42411 UPPER,LOWER ISUZU PB-NPS81N-L5LXDY

Pos No.	Parts No	Parts Name	Qty	Unit	Technical Data	Serial No (Start)	Serial No (End)	Remark
3	91002801400	O-RING	3		1B P14			
7	36601665020	SPRING	1					
10	91001001000	O-RING	1		1A S10			
11	36601665030	SPRING	1					
13	91002803400	O-RING	1		1B P34			
14	36601665050	O-RING	1		P25			
15	91410002500	RING,BACKUP	1		P25			
18	91002802600	O-RING	1		1B P26			
19	91001301600	O-RING	1		WP16			
20	91002801000	O-RING	1		1B P10			
21	91410001000	RING,BACKUP	1		P10			
50	36601660001	VALVE,COUNTERBALANCE	1					

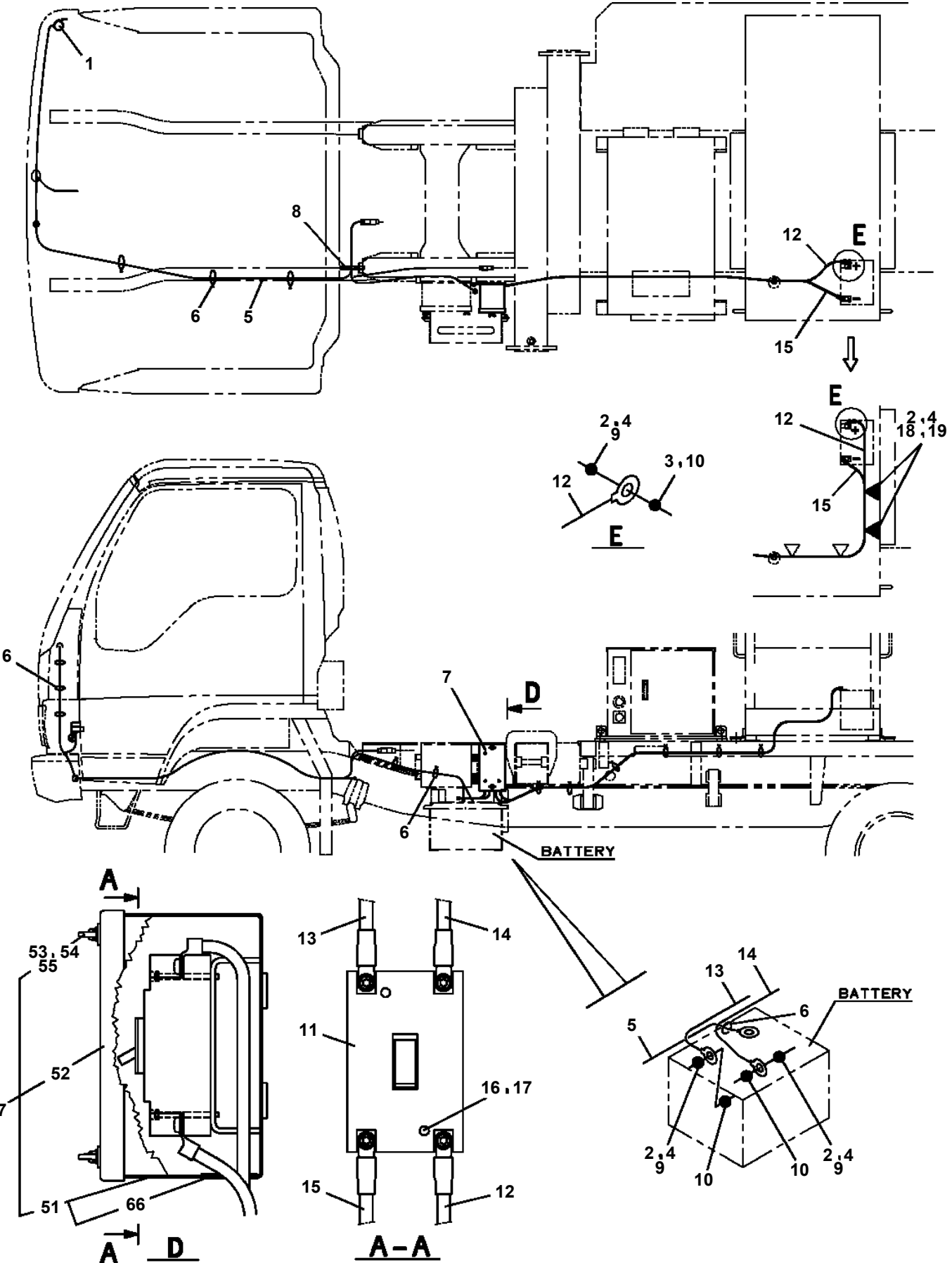
LS-1800-1-42411 UPPER,LOWER ISUZU PB-NPS81N-L5LXDY

Pos No.	Parts No	Parts Name	Qty	Unit	Technical Data	Serial No (Start)	Serial No (End)	Remarks
1	31322050500	KNOB (BLACK)	5					
2	42320870100	LEVER	1					
3	42320870200	LEVER	1					
4	42320790300	LEVER	1					
5	37000168420	PIN	1					
6	80728104020	PIN,SPRING	1					
7	42320870400	LEVER	1					
8	36647780000	VALVE,REMOTE CONTROL	1					
9	42320871000	SUPPORT	1					
10	90101210025	BOLT	4		M10X25			
11	90201201000	NUT	4		M10			
12	90302041001	WASHER,SPRING	4		10			
13	90101208022	BOLT	4		M8X22			
14	90201200800	NUT	4		M8			
15	90302040801	WASHER,SPRING	4		8			
16	37000105610	PIN	5		L=18			
17	80136320010	PIN,SPLIT	5		2X10			
18	37000537270	PLATE	2					
19	42320870300	LEVER	1					

LS-1800-1-42411 UPPER, LOWER ISUZU PB-NPS81N-L5LXDY
 PN1012715-01 ELEC.ASSY (BOOM)

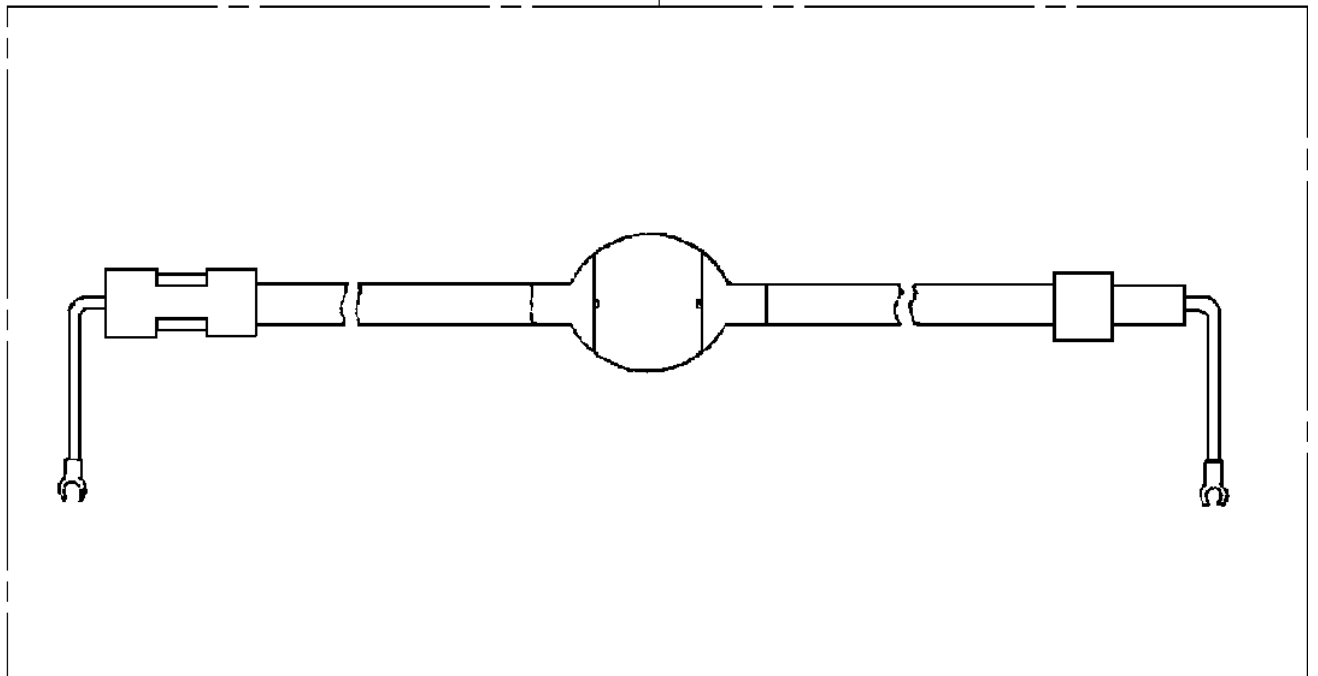


LS-1800-1-42411 UPPER, LOWER ISUZU PB-NPS81N-L5LXDY
 PN1013772-02 ELEC.ASSY (CARRIER)

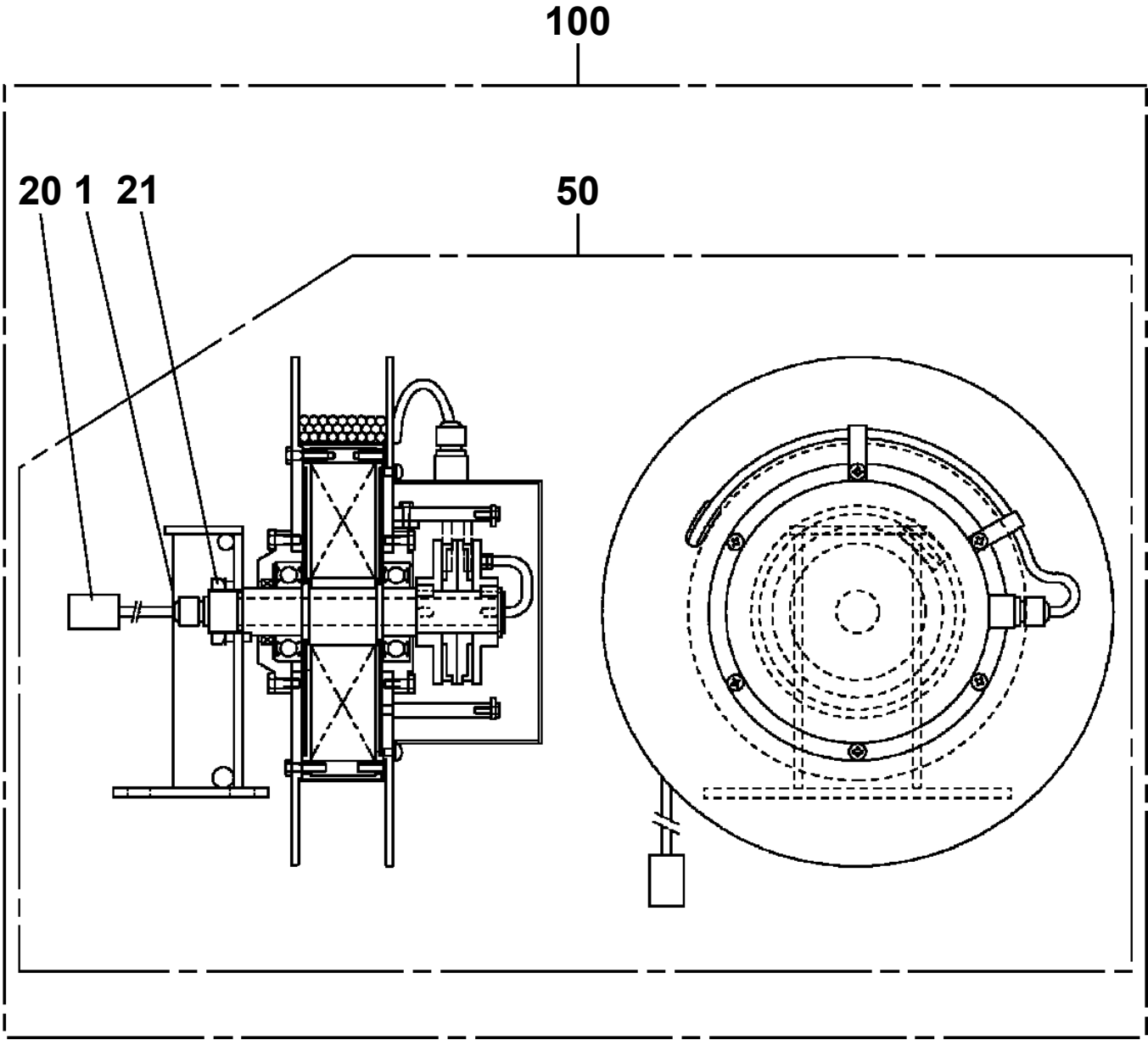


LS-1800-1-42411 UPPER,LOWER ISUZU PB-NPS81N-L5LXDY
PN1080144-00 LAMP

10



LS-1800-1-42411 UPPER,LOWER ISUZU PB-NPS81N-L5LXDY
PN1350117-00 REEL,CORD



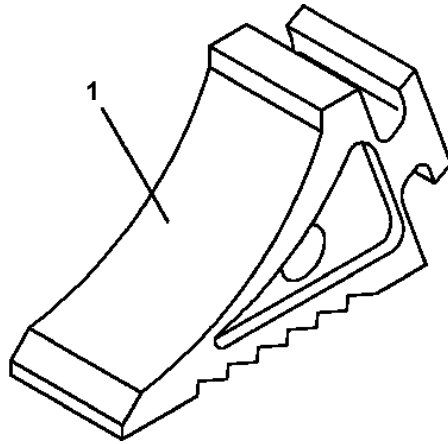
LS-1800-1-42411 UPPER,LOWER ISUZU PB-NPS81N-L5LXDY

Pos No.	Parts No	Parts Name	Qty	Unit	Technical Data	Serial No (Start)	Serial No (E
1	3700222390	PLATE,NAME	3				
2	37002217330	PLATE,CAUTION (TADANO HYDRAULIC)	1				
3	42940170010	PLATE,NAME	1				
4	42940010090	REFLECTOR	2				
5	42943580020	PLATE,NAME	1				
6	42943170010	PLATE,CAUTION	1				
7	37002202120	PLATE,NAME (HIGH/LOW)	1				
8	42943170030	PLATE,NAME	2				
9	42942152130	PLATE,CAUTION	1				
10	42941160010	PLATE,NAME	1				
11	42943500010	PLATE,NAME (FUSE)	1				
12	34393926520	PLATE (NON-SLIP)	7				
13	34394186510	PLATE (NON-SLIP)	16				
14	42941460500	REFLECTOR	2				
15	42943370010	PLATE,CAUTION	1				
16	44390440060	PLATE,NAME	1				
17	42943500020	PLATE,NAME	1				
18	42943500030	PLATE,CAUTION	1				
19	42943500040	PLATE,NAME	1				
20	42392350070	PLATE,CAUTION	2				
21	42943580030	PLATE,NAME	1				
22	42943600010	PLATE,NAME	1				
23	42943600020	PLATE,NAME	1				
24	42943590010	PLATE,CAUTION	1				
25	37002224450	PLATE,NAME	1				

LS-1800-1-42411 UPPER,LOWER ISUZU PB-NPS81N-L5LXDY

Pos No.	Parts No	Parts Name	Qty	Unit	Technical Data	Serial No (Start)	Serial No (End)	Remarks
1	36161815010	FRAME (REEL,CORD)	1					
2	36160245010	DRUM ASSY	1					
3	36161455030	COVER (OUTER)	1					
4	36160225040	CASE (BEARING)	2					
6	36160225060	COLLAR (A)	1					
7	36160845030	COLLAR (B)	4					
8	36160225082	RING	2					
9	36160225090	PLATE (HOLDER)	1					
10	36161565160	CONTACTOR	2					
11	36160225110	PACKING	1					
12	36130235090	WASHER,SEAL	1					
15	36160885040	CLAMP (CORD)	1					
16	36160885050	CLAMP (CORD)	1					
17	36161845010	CABLE ASSY (OUT PUT)	1					
18	36160225120	GROMMET	1					
19	32360005160	CLIP (NYLON)	1					
20	36161845020	CABLE ASSY (INPUT)	1					
21	36160815050	BEARING	1					
22	36161455050	COVER (INNER)	1					
23	36161565150	RING	2					
24	36160945050	BRACKET	1					
100	36161840000	REEL ASSY,CORD	1					

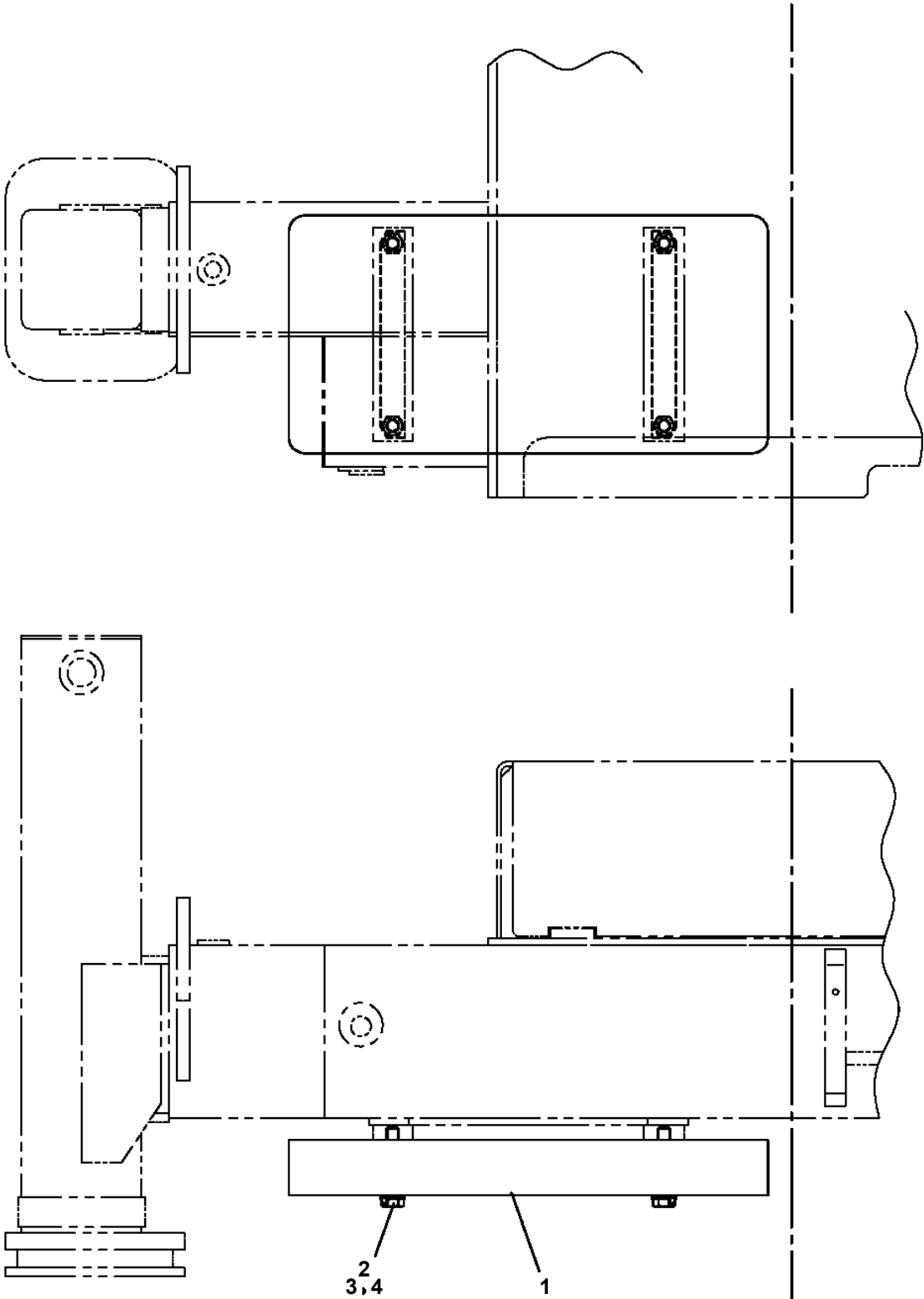
**LS-1800-1-42411 UPPER,LOWER ISUZU PB-NPS81N-L5LXDY
PW1050018-01 WEDGE (STOPPER FOR TIRE/JUSTIN)**



LS-1800-1-42411 UPPER,LOWER ISUZU PB-NPS81N-L5LXDY

Pos No.	Parts No	Parts Name	Qty	Unit	Technical Data	Serial No (Start)	Serial No (End)	Remarks	Pages
1	42880020010	SUPPORT	1				HD0133		
	42880020500	SUPPORT	1			HD0134			
2	90201201000	NUT	4		M10				
3	59460009000	BAND	2						
4	37000507620	PLATE	2						
5	56560009000	PIN	2						
6	80136330025	PIN,SPLIT	2						
7	90303071201	WASHER,PLAIN	2		12				
8	42880010130	SUPPORT	1						
9	90101212025	BOLT	4		M12X25				
10	90302041201	WASHER,SPRING	4		12				
11	42880020100	SUPPORT	1						
20	59460090060	BAND ASSY	2						
29	37000508640	PLATE	4				HD0133		
	37000508640	PLATE	2			HD0134			
30	37000508650	PLATE	2						

LS-1800-1-42411 UPPER,LOWER ISUZU PB-NPS81N-L5LXDY
PX1290332-00 WEIGHT INSTALLATION



CLICK HERE TO **DOWNLOAD** THE COMPLETE MANUAL

- Thank you very much for reading the preview of the manual.
- You can download the complete manual from: www.heydownloads.com by clicking the link below



- Please note: If there is no response to CLICKING the link, please download this PDF first and then click on it.

CLICK HERE TO **DOWNLOAD** THE COMPLETE MANUAL