

LS-106-1-00015 UPPER

PD2000038-00 SWING UNIT

PG2000050-00 BOOM UNIT

PK2000170-00 FRAME UNIT

PN2000003-00 LIGHTING UNIT

PO1000123-00 INDICATION PLATES

PY1000593-00 OPTIONS

ASSEMBLY

CLICK HERE TO **DOWNLOAD** THE COMPLETE MANUAL

- Thank you very much for reading the preview of the manual.
- You can download the complete manual from: www.heydownloads.com by clicking the link below



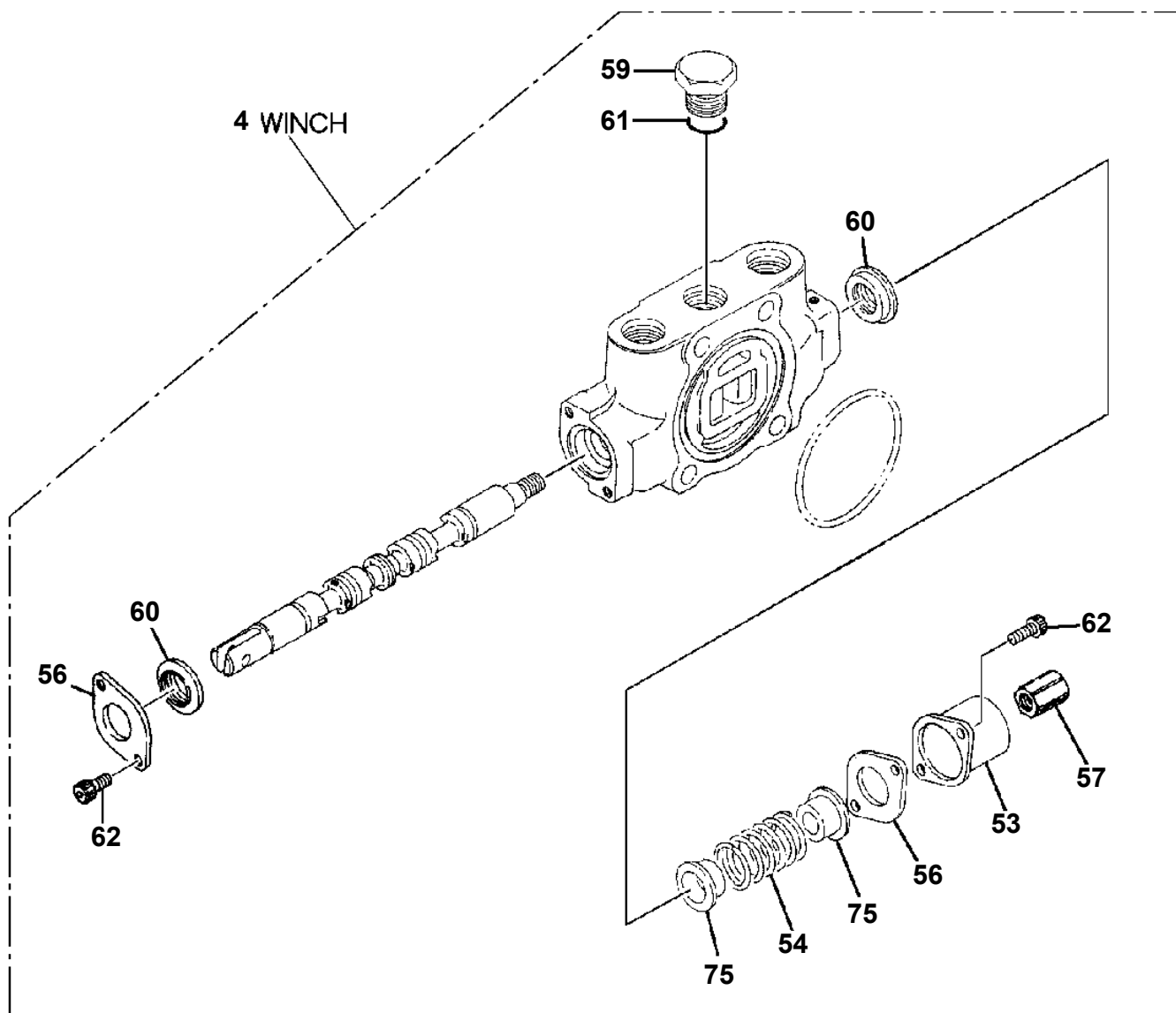
- Please note: If there is no response to CLICKING the link, please download this PDF first and then click on it.

CLICK HERE TO **DOWNLOAD** THE COMPLETE MANUAL

LS-106-1-00015 UPPER

Pos No.	Parts No	Parts Name	Qty	Unit	Technical Data	Serial No (Start)	Serial No (End)
1	(*****)	PLATE ASSY.NAME (FRAME)	1				
2	(*****)	PLATE ASSY,NAME (FRAME)	1				
3	(*****)	PLATE ASSY,NAME (NON SLIP)	1				
4	(*****)	PLATE ASSY,NAME (KEY INDICATION)	1				
5	(*****)	PLATE ASSY,NAME (GENERATOR/60HZ)	1				

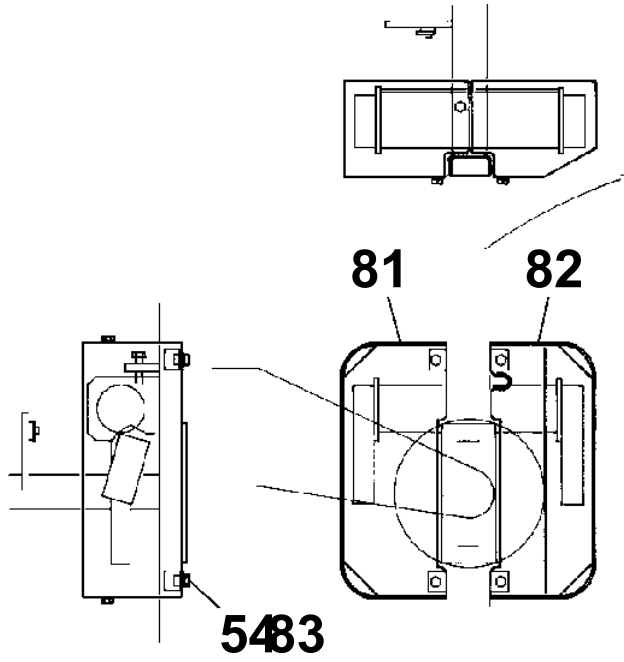
**LS-106-1-00015 UPPER
PB1320419-01 VALVE,MANUAL CONTROL (SANWA)**



LS-106-1-00015 UPPER

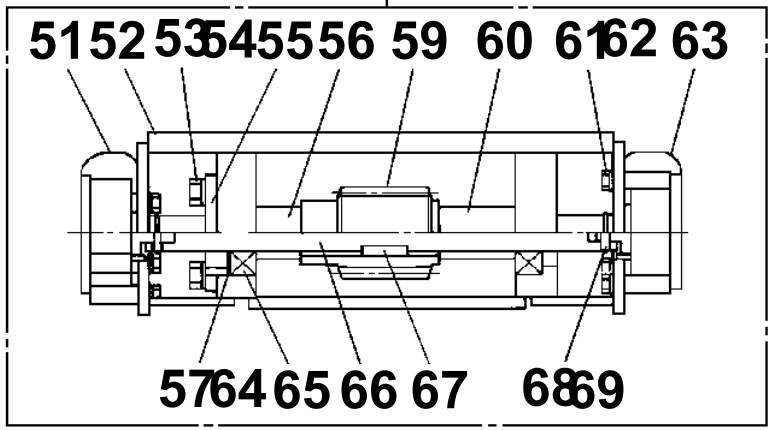
Pos No.	Parts No	Parts Name	Qty	Unit	Technical Data	Serial No (Start)	Serial No
1	80561100080	NUT	1		AN08		
3	36080495210	SPACER	1				
4	80500006208	BEARING,BALL	1				
5	36080495220	WORM	1				
10	36080495090	GAUGE,OIL	1				
11	36080235080	WASHER,SEAL	1		M16		
12	80316090060	PLUG	1		KKT PT3/8		
13	36080665100	GEAR,SPUR	1				
15	91206055002	SEAL,OIL	1				
16	36080495042	CASE,GEAR	1				
17	80513006308	BEARING,BALL	1				
18	36080495050	BOLT,SEMS (M10X25,WITH WASHER)	6				
19	36080015000	PIN	2				
20	36080495060	KEY	1				
21	36080495070	WHEEL,WORM	1				
22	36080495230	CASE,GEAR	1				
23	80500006207	BEARING,BALL	1				
24	80561100070	NUT	1		AN07		
27	80602110800	RING,RITAINING	1		R80		
28	36080755030	BEARING,NEEDLE	1		BK3020+IR25*30*18		
30	36080660000	REDUCER,SWING SPEED	1				

LS-106-1-00015 UPPER
 PE1400000-01 TILTING LAMP

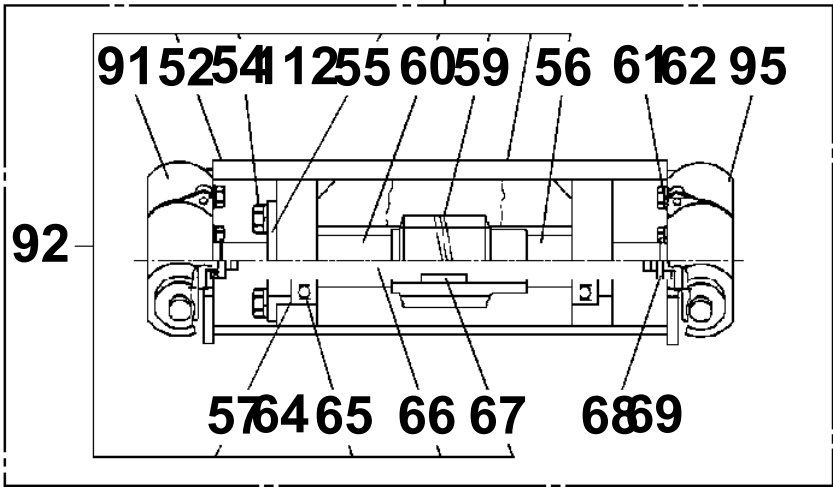


G

13

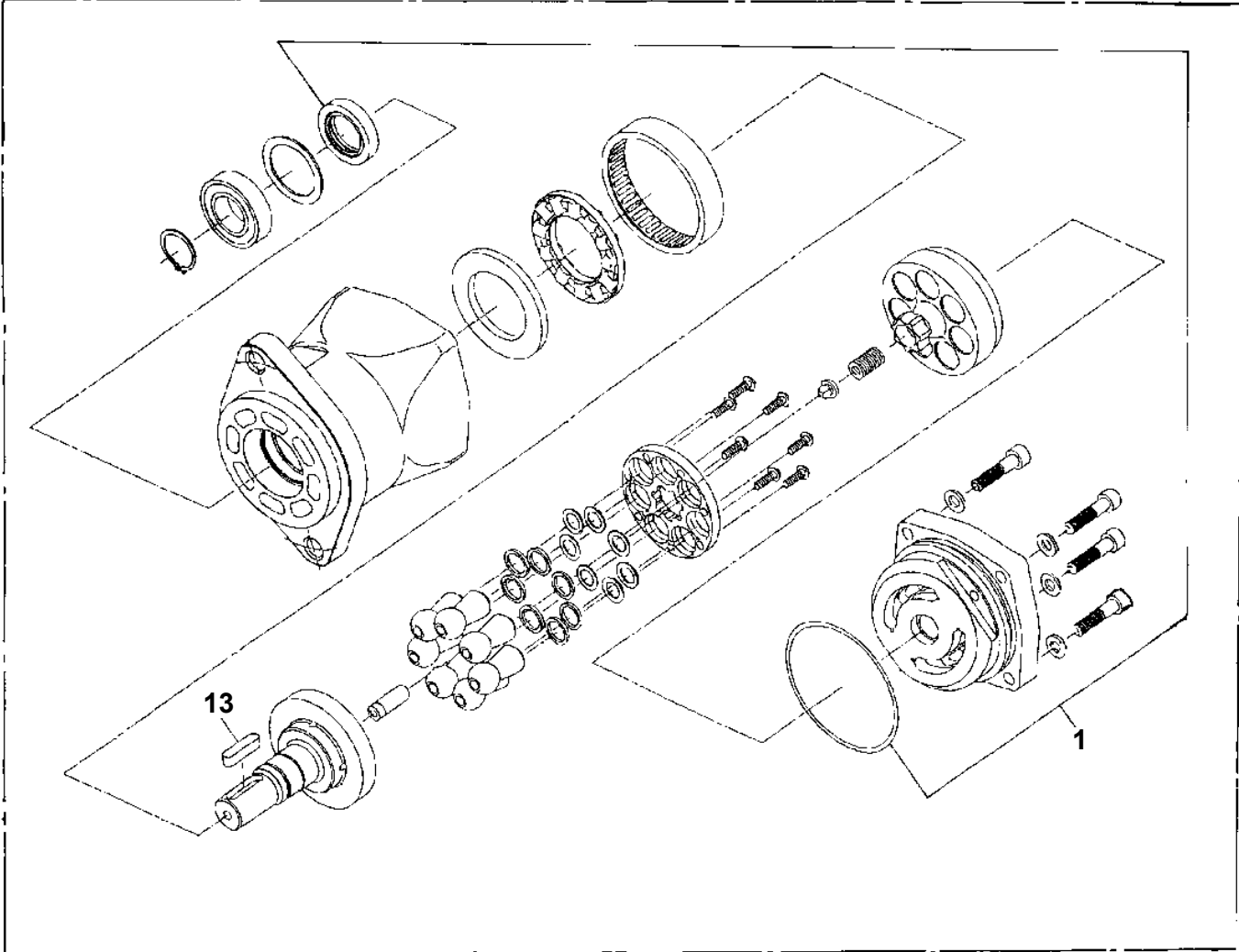


13

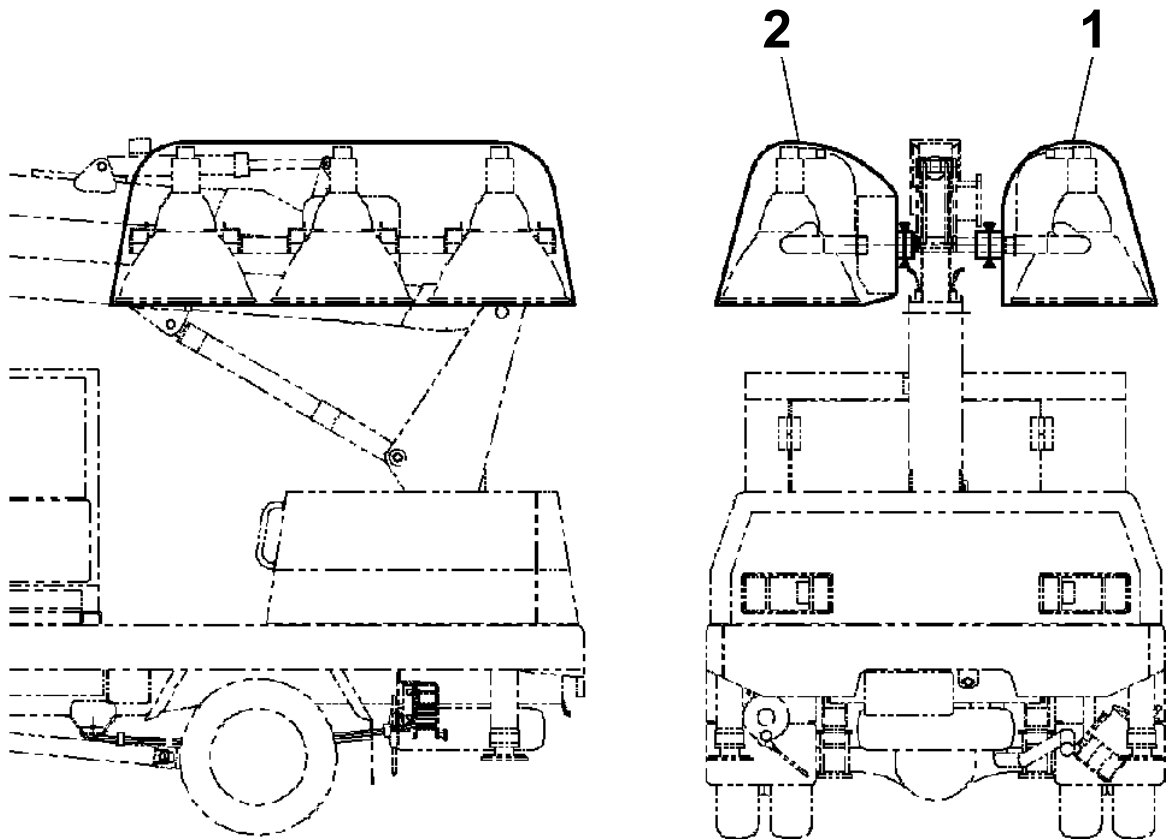


LS-106-1-00015 UPPER
PI1010106-00 MOTOR, HYDRAULIC

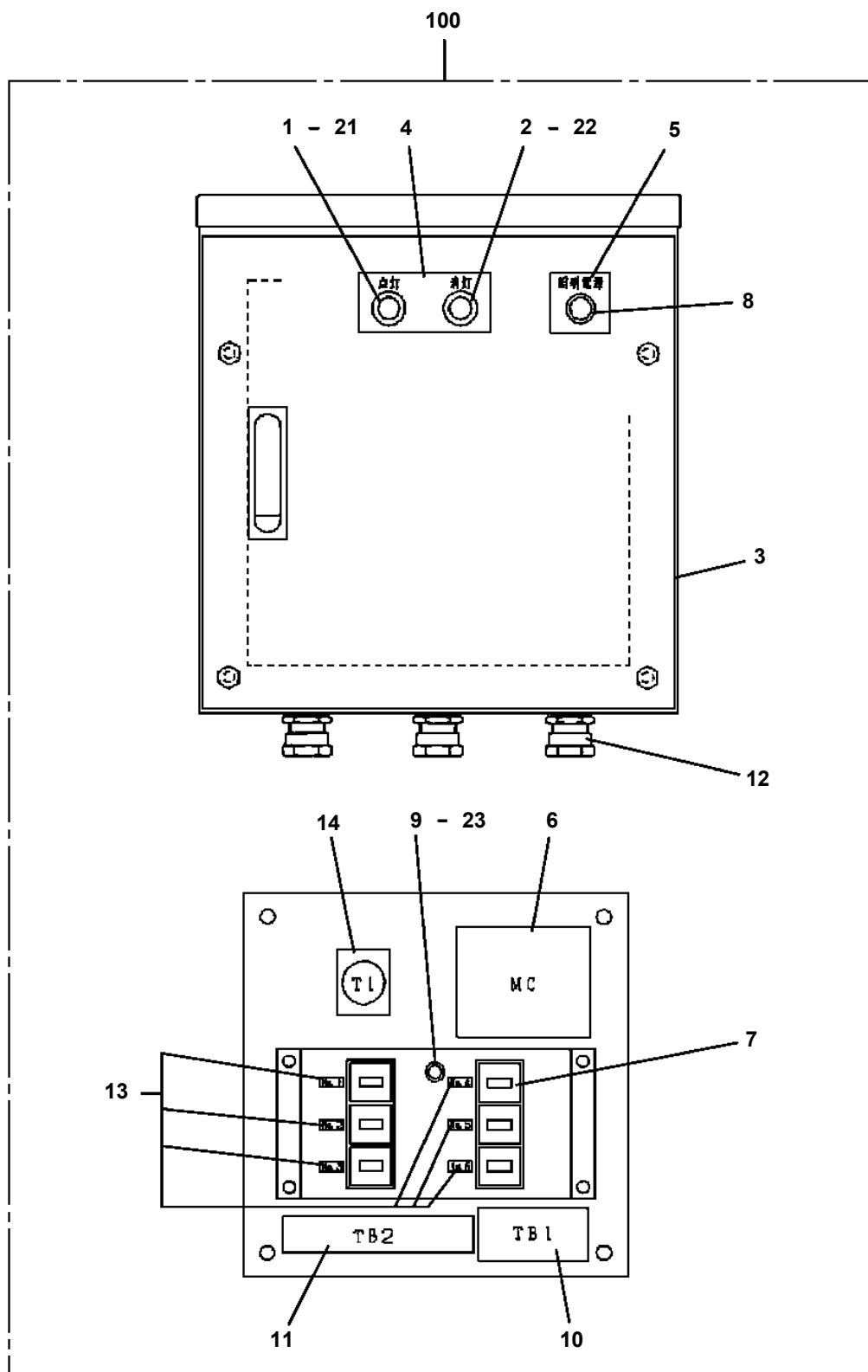
20



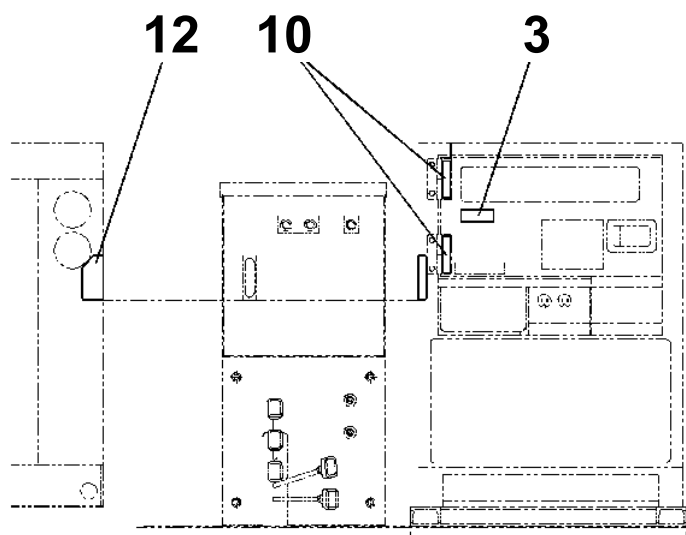
LS-106-1-00015 UPPER
PK1330128-00 COVER (TILTING LAMP)



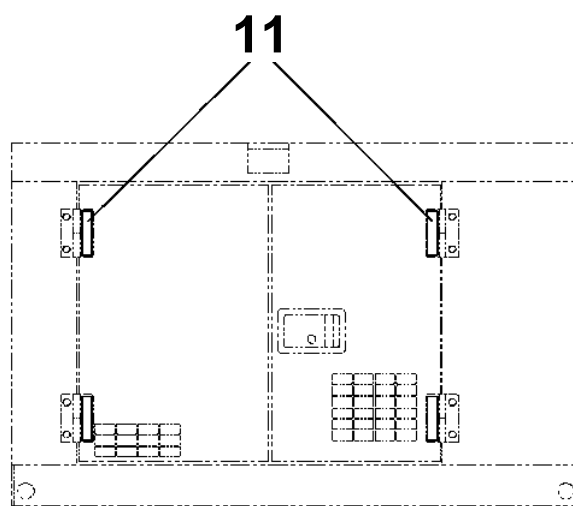
LS-106-1-00015 UPPER
PN1060135-01 SWITCH PANEL



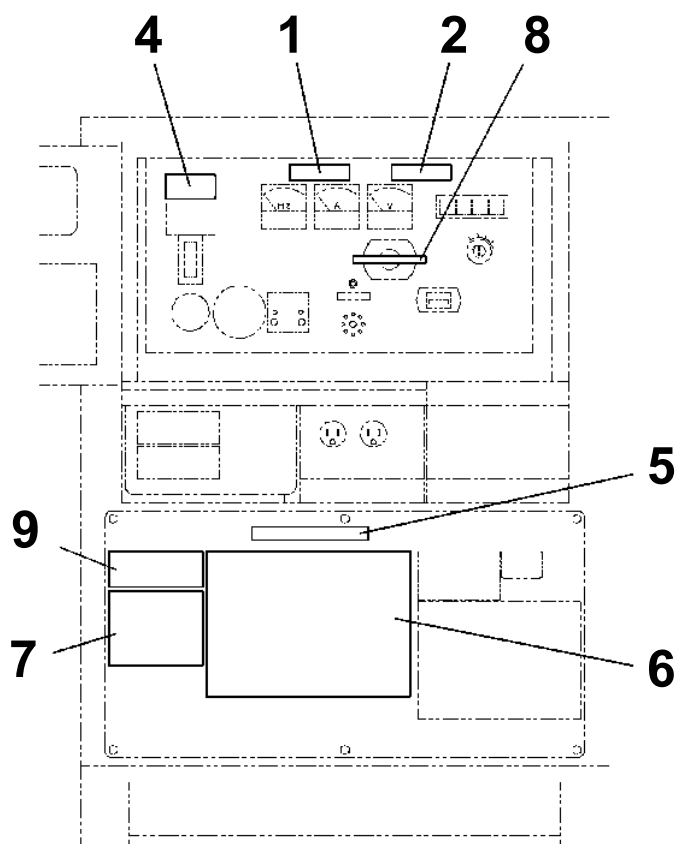
LS-106-1-00015 UPPER
PO1013642-00 PLATE ASSY,NAME (GENERATOR/60HZ)



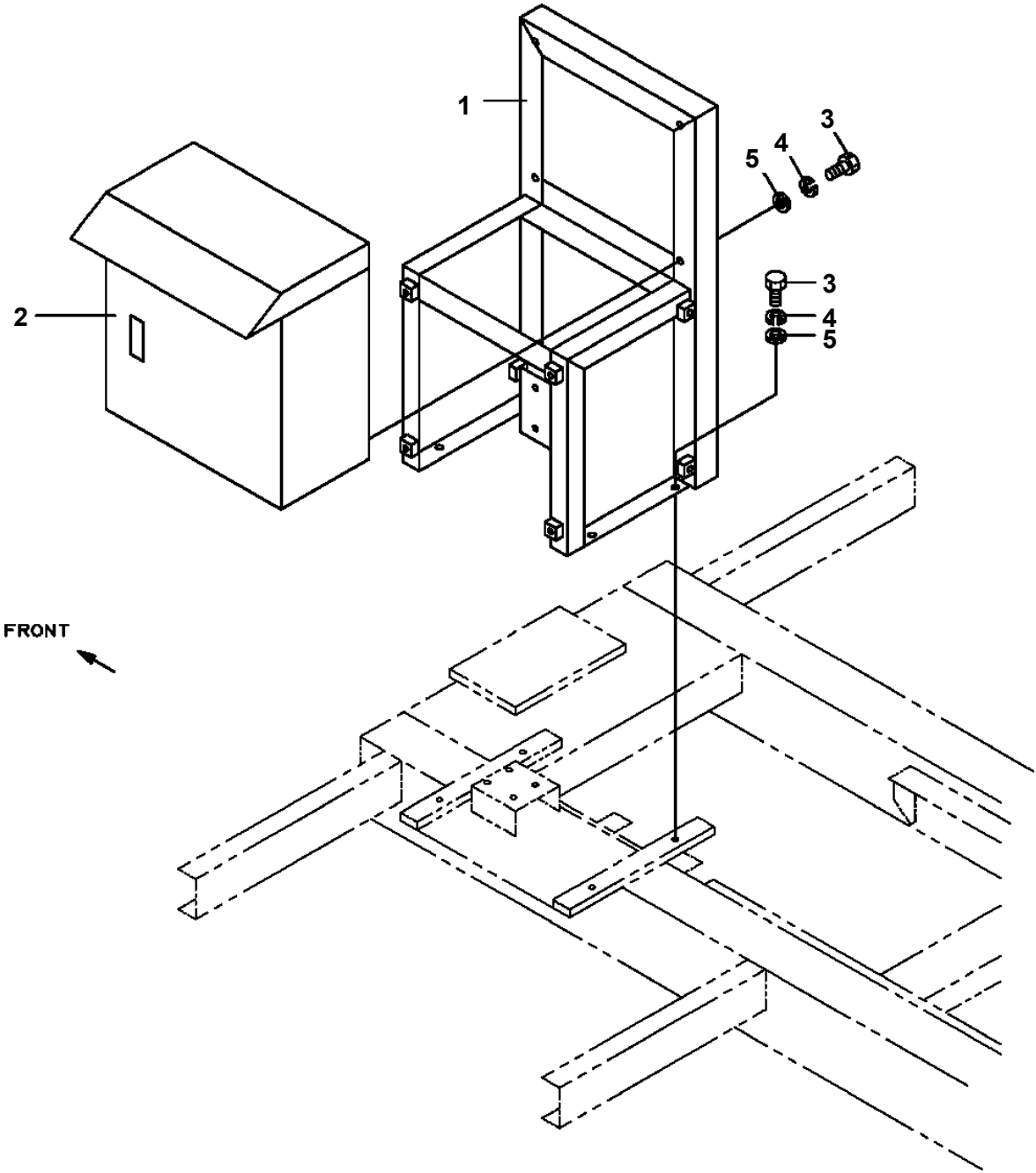
発電機側面（車両前方）



発電機側面（車両後方）



**LS-106-1-00015 UPPER
PX1640003-00 BOARD (SWITCH BOARD)**



CLICK HERE TO **DOWNLOAD** THE COMPLETE MANUAL

- Thank you very much for reading the preview of the manual.
- You can download the complete manual from: www.heydownloads.com by clicking the link below



- Please note: If there is no response to CLICKING the link, please download this PDF first and then click on it.

CLICK HERE TO **DOWNLOAD** THE COMPLETE MANUAL