

HT-380-2-30100 LOWER,HINO DUTRO PB-XZU404X-TMFSW3

PO1000167-00 INDICATION PLATES

PQ2000007-00 ENGINE UNIT

PW1000097-02 ACCESSORIES & TOOLS

PX2001036-00 CARRIER UNIT

PX3000553-00 MOUNTING UNIT

ASSEMBLY

CLICK HERE TO **DOWNLOAD** THE COMPLETE MANUAL

- Thank you very much for reading the preview of the manual.
- You can download the complete manual from: www.heydownloads.com by clicking the link below



- Please note: If there is no response to CLICKING the link, please download this PDF first and then click on it.

CLICK HERE TO **DOWNLOAD** THE COMPLETE MANUAL

HT-380-2-30100 LOWER,HINO DUTRO PB-XZU404X-TMFSW3

Pos No.	Parts No	Parts Name	Qty	Unit	Technical Data	Serial No (Start)	Serial No (E
1	(*****)	SUPPORT ASSY (BOX TOOL/FRP JIB,ARM)	1				
2	(*****)	SUPPORT ASSY	1				
3	(*****)	MOUNT ASSY (OIL COOLER)	1				
4	(*****)	MOUNT ASSY,STEP (LADDER)	1				
5	(*****)	MOUNT ASSY,STEP (BUCKET)	1				
6	(*****)	MOUNT ASSY,TOOL BOX	1				
7	(*****)	EARTH ASSY	1				

HT-380-2-30100 LOWER,HINO DUTRO PB-XZU404X-TMFSW3

Pos No.	Parts No	Parts Name	Qty	Unit	Technical Data	Serial No (Start)	Serial No
1	82420506412	TRIM	1	M			
2	42934890100	HARNESS	1				
3	91810132530	FASTENER	30				
4	82115001002	CONNECTOR	3				
5	42801710200	LAMP ASSY (RED)	1				270931
6	42930890210	PLATE,NAME	1				
7	42474530100	LAMP ASSY	1				
8	82114102020	CONNECTOR	1				
9	82121102020	HOLDER	1				
10	82401601002	CLAMP	3				
11	91810130240	FASTENER	3				
12	82100000539	CLAMP	N		H-50		
25	42650551120	LAMP ASSY (YELLOW)	1			270932	
31	82165904020	LAMP	1		24V 60W		
32	90101212020	BOLT	1		M12X20		
33	90302041201	WASHER,SPRING	1		12		
34	37000159530	PIN	1				
35	80620210160	PIN,SNAP	1				
41	42806172101	CONVERTER	1				
42	42934891100	SUPPORT	1				
43	90101206025	BOLT	2		M6X25		
44	90302040601	WASHER,SPRING	7		6		
45	37000551250	PLATE	2				
46	42934891200	COVER	1				
47	90101206020	BOLT	5		M6X20		
48	90303070601	WASHER,PLAIN	4		6		
49	82100002002	CLAMP	1		WR6		
50	91810130240	FASTENER	2				
61	82100000054	BULB,LAMP	1		24V 60W		
62	82100002838	SWITCH ASSY (WITH HARNESS,TERMINAL)	1				
71	82100005004	LENS (RED)	1				270931
81	82198300505	LENS (YELLOW)	1			270932	

HT-380-2-30100 LOWER,HINO DUTRO PB-XZU404X-TMFSW3

Pos No.	Parts No	Parts Name	Qty	Unit	Technical Data	Serial No (Start)	Serial No (End)	Remarks
2	42739697510	CABLE ASSY	1					
3	42739697540	CABLE ASSY	1					
4	42739697520	CLIP	1					
5	42739697530	REMOTE CONTROL ASSY	1					
100	42739693110	DISPLAY	1					

HT-380-2-30100 LOWER,HINO DUTRO PB-XZU404X-TMFSW3

Pos No.	Parts No	Parts Name	Qty	Unit	Technical Data	Serial No (Start)	Serial No (End)	Remarks	Pages
1	82459103000	NIPPLE,GREASE	4		C-PT1/8				
2	42786490100	SUPPORT	1						
3	42786490200	SUPPORT	1						
4	90171110030	BOLT	8		M10X30				
5	90201781000	NUT	8		M10				
6	90302041001	WASHER,SPRING	8		10				
7	90201200800	NUT	1		M8				

HT-380-2-30100 LOWER,HINO DUTRO PB-XZU404X-TMFSW3

Pos No.	Parts No	Parts Name	Qty	Unit	Technical Data	Serial No (Start)	Serial No (End)	Remarks	Pages
1	42896451100	SUPPORT	1						
2	42896451200	SUPPORT	1						
3	90190110020	BOLT	8		M10X20				
4	90302511001	WASHER,SPRING	8		10				
5	90303521001	WASHER,PLAIN	8		10				
6	42895250800	BELT	4						

HT-380-2-30100 LOWER,HINO DUTRO PB-XZU404X-TMFSW3

Pos No.	Parts No	Parts Name	Qty	Unit	Technical Data	Serial No (Start)	Serial No (End)	Rem
1	42460015010	BAG,TOOL	1					
2	91991510003	HEXAGON BARWRENCH (G3)	1					
3	91991510004	HEXAGON BARWRENCH (G4)	1					
4	91991510005	HEXAGON BARWRENCH (G5)	1					
5	91991510006	HEXAGON BARWRENCH (G6)	1					
6	91991510008	HEXAGON BARWRENCH (G8)	1					
7	91991510010	HEXAGON BARWRENCH (G10)	1					
8	91991310024	SPANNER	1		24			
50	42473401000	TOOLS	1					

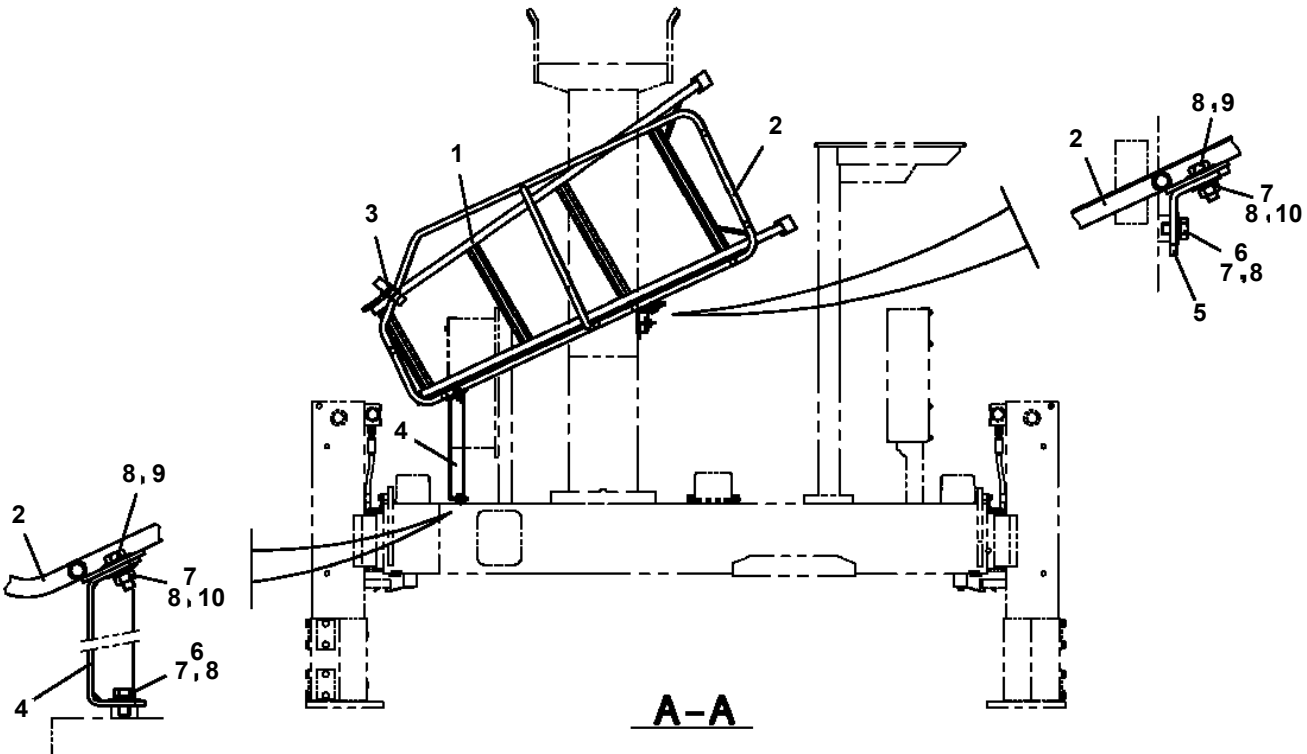
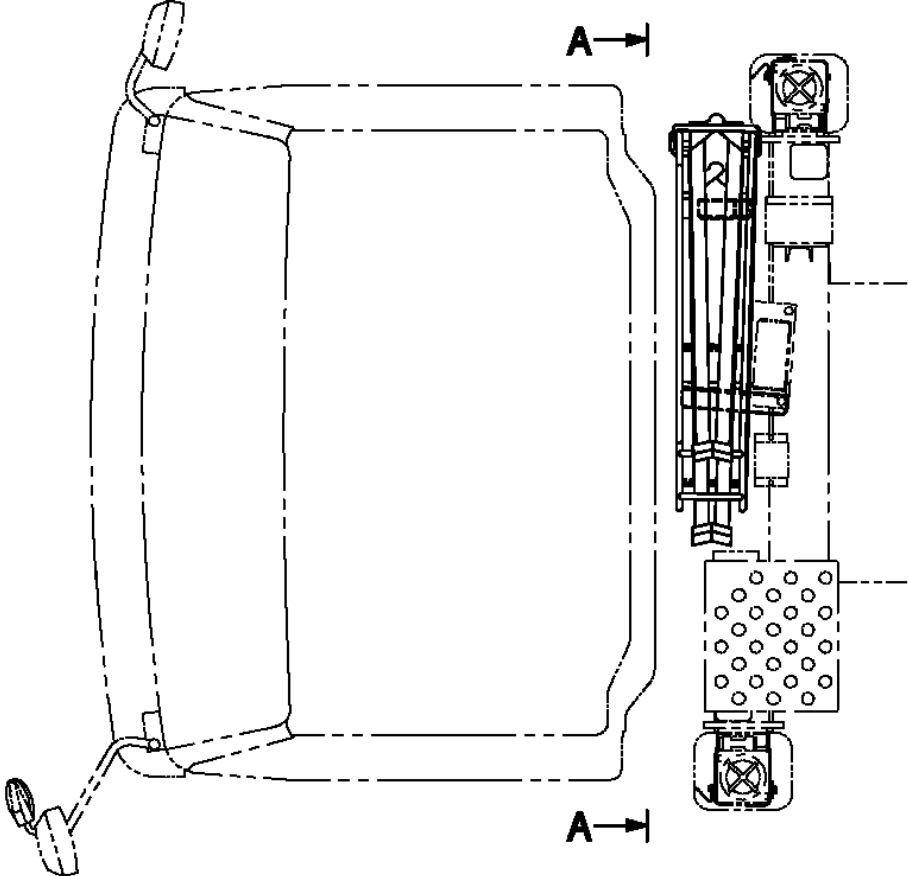
HT-380-2-30100 LOWER,HINO DUTRO PB-XZU404X-TMFSW3

Pos No.	Parts No	Parts Name	Qty	Unit	Technical Data	Serial No (Start)	Serial No (End)	Remarks	Page
1	36690340000	COOLER ASSY,OIL	2						00000
2	90201201000	NUT	16		M10				
3	90302041001	WASHER,SPRING	24		10				
4	82449010500	INSULATOR	8						
5	90101210012	BOLT	16		M10X12				
6	90303071001	WASHER,PLAIN	16		10				

HT-380-2-30100 LOWER,HINO DUTRO PB-XZU404X-TMFSW3

Pos No.	Parts No	Parts Name	Qty	Unit	Technical Data	Serial No (Start)	Serial No (End)	Remarks	Page
1	37000805560	JOINT	1						
2	91803600250	CLIP	4		D=18-25				
3	37000803300	JOINT	1						
4	91803600160	CLIP	8		D=11-16				
5	42820500200	PUMP,FUEL	1						
6	90186206016	BOLT,FLANGE	2		M6X16				
7	42881731000	JOINT	1						
8	90186208030	BOLT,FLANGE	2		M8X30				
9	37000911190	JOINT	1						
10	37000913140	JOINT	2						
11	37000925540	JOINT	2						
12	91803600200	CLIP	2		D=13-20				
13	80307050020	JOINT,SOCKET	1						
14	37000924250	JOINT	1		PT3/8,D14				
15	37002511160	HOSE	1		L=460				
16	37002512600	HOSE	1		L=800				
17	37002513180	HOSE	1		L=2000				
18	37002512610	HOSE	1		L=1600				
19	82100002041	CLAMP	1						
20	90186208016	BOLT,FLANGE	4		M8X16				
21	82100002040	CLAMP	3		WE15				
22	82100002010	CLAMP	1		WR15				
23	82100002016	CLAMP	1		WR25				
24	90186206020	BOLT,FLANGE	1		M6X20				
25	90280200600	NUT,FLANGE	1		M6				
26	90303070601	WASHER,PLAIN	1		6				
27	82100001804	TUBE,CORRUGATE	1	M	15				
51	42820507680	FILTER (REPAIR KIT)	1						

HT-380-2-30100 LOWER,HINO DUTRO PB-XZU404X-TMFSW3
PX5670050-00 MOUNT ASSY,STEP (LADDER)



CLICK HERE TO **DOWNLOAD** THE COMPLETE MANUAL

- Thank you very much for reading the preview of the manual.
- You can download the complete manual from: www.heydownloads.com by clicking the link below



- Please note: If there is no response to CLICKING the link, please download this PDF first and then click on it.

CLICK HERE TO **DOWNLOAD** THE COMPLETE MANUAL