

DT-720-1-43600 LOWER,ISUZU TKG-FRR90S1-JANYN-M

PB1000397-00 HYDRAULIC PRESSURE GENERATING SYSTEM

PC1000315-01 OUTRIGGER SYSTEM

PK1000637-00 FRAME

PL1000387-01 CONTROL DEVICES

PN1000577-00 ELECTRIC EQUIPMENT

PO1000169-00 INDICATION PLATES

PW1000028-00 ACCESSORIES & TOOLS

PX1001313-00 MOUNTING PARTS

PY1001763-04 OPTION UNIT,1 (LOWER)

PY5000013-01 OPTION UNIT,2 (LOWER)

ASSEMBLY

CLICK HERE TO **DOWNLOAD** THE COMPLETE MANUAL

- Thank you very much for reading the preview of the manual.
- You can download the complete manual from: www.heydownloads.com by clicking the link below



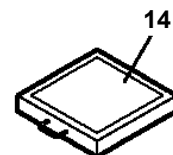
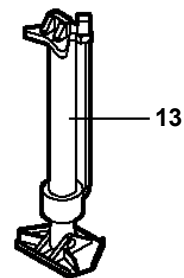
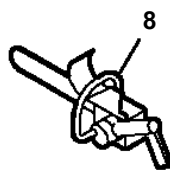
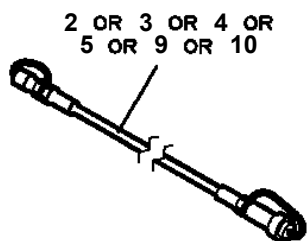
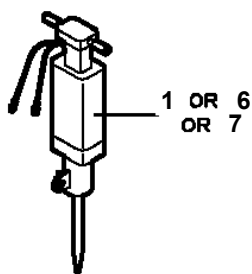
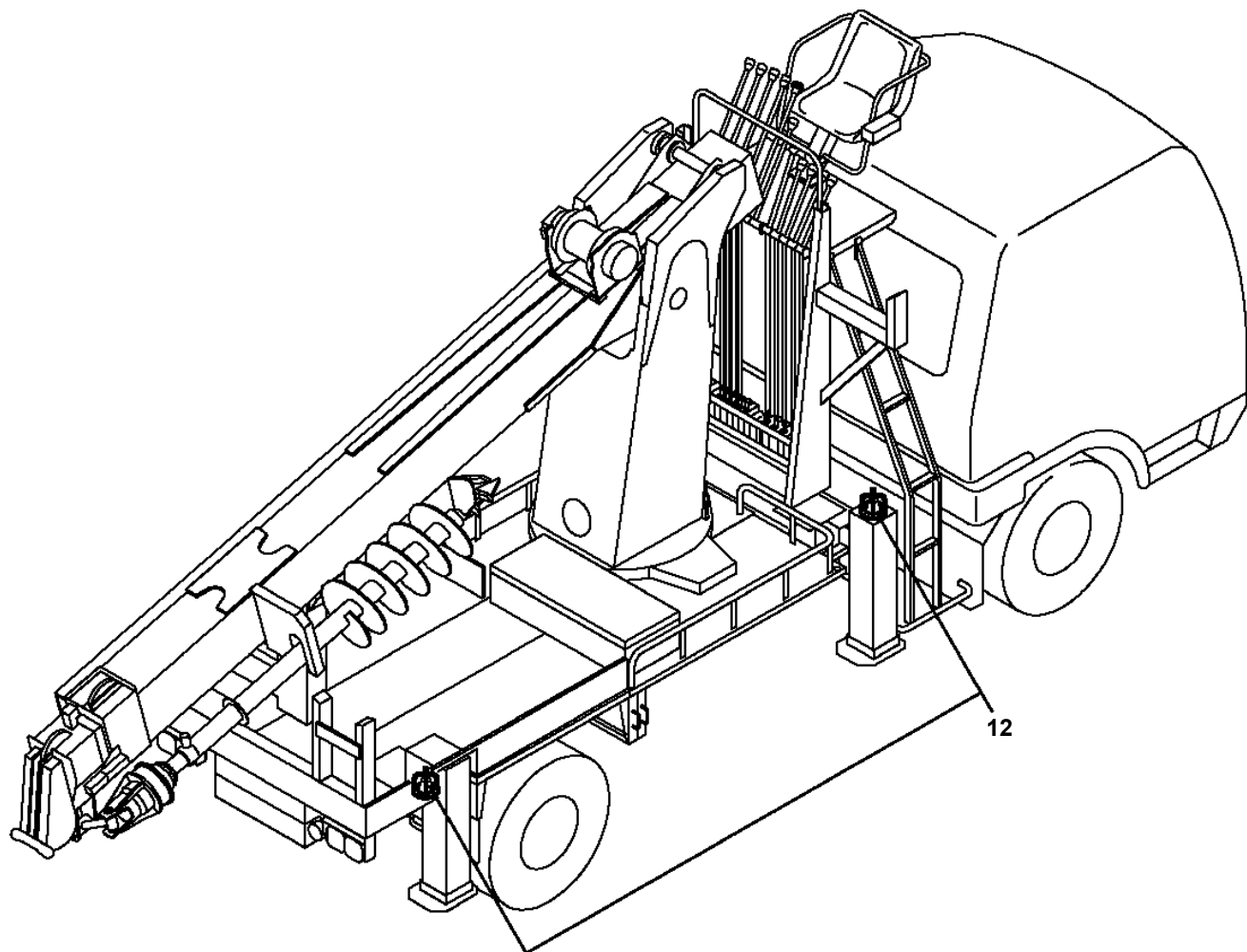
- Please note: If there is no response to CLICKING the link, please download this PDF first and then click on it.

CLICK HERE TO **DOWNLOAD** THE COMPLETE MANUAL

DT-720-1-43600 LOWER,ISUZU TKG-FRR90S1-JANYN-M

Pos No.	Parts No	Parts Name	Qty	Unit	Technical Data	Serial No (Start)	Se
1	(*****)	PARTS ASSY,ELECTRICITY	1				
2	(*****)	ELEC.ASSY,CARRIER	1				
3	(*****)	ELEC.ASSY (WITH BOOM RETRACTION DETECTOR)	1				

DT-720-1-43600 LOWER,ISUZU TKG-FRR90S1-JANYN-M
PY5000013-01 OPTION UNIT,2 (LOWER)



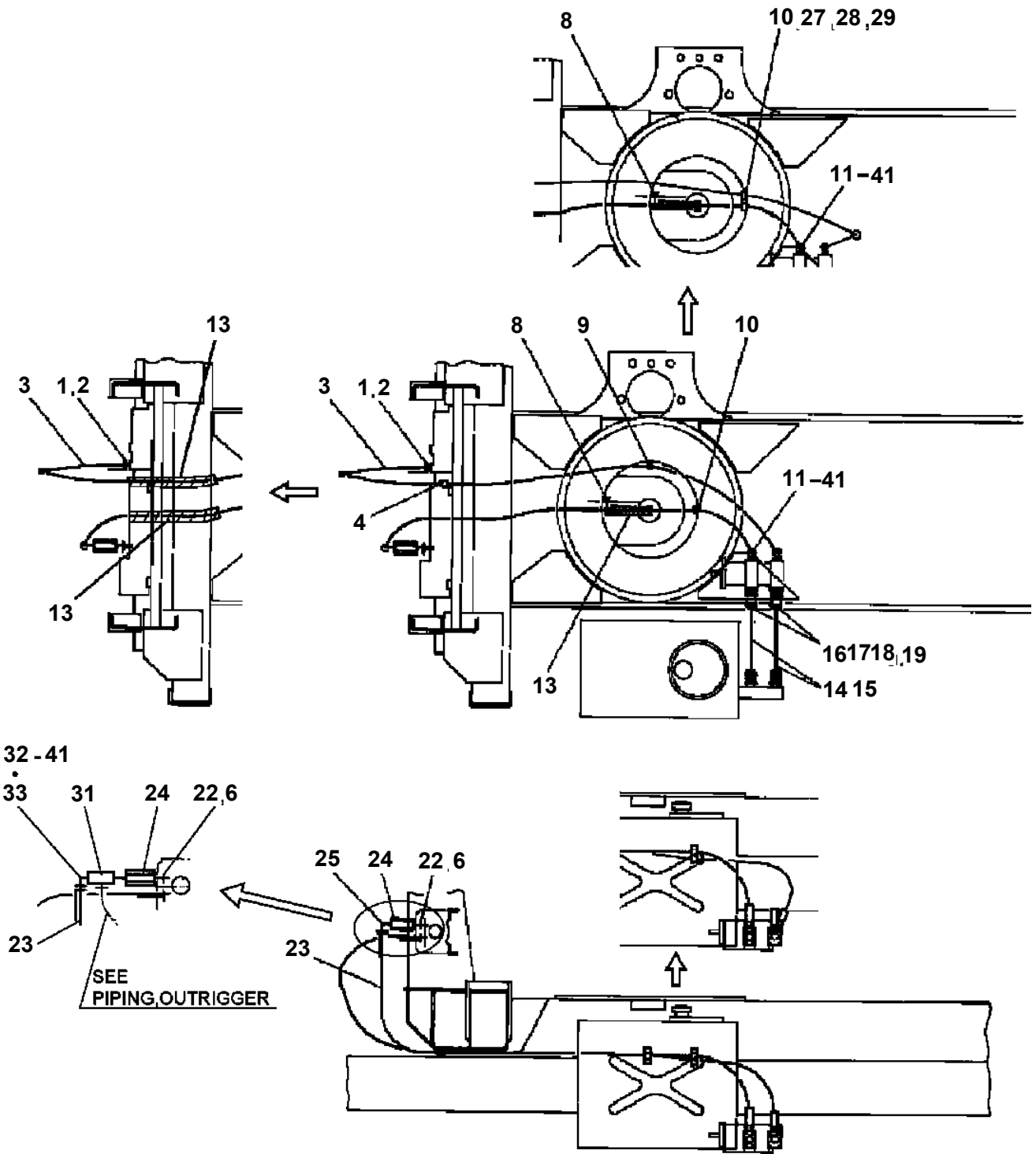
適用製造番号によっては取り付けがないものもあります。

MACHINES OF SOME SERIAL NO. ARE NOT EQUIPPED WITH THESE PARTS.

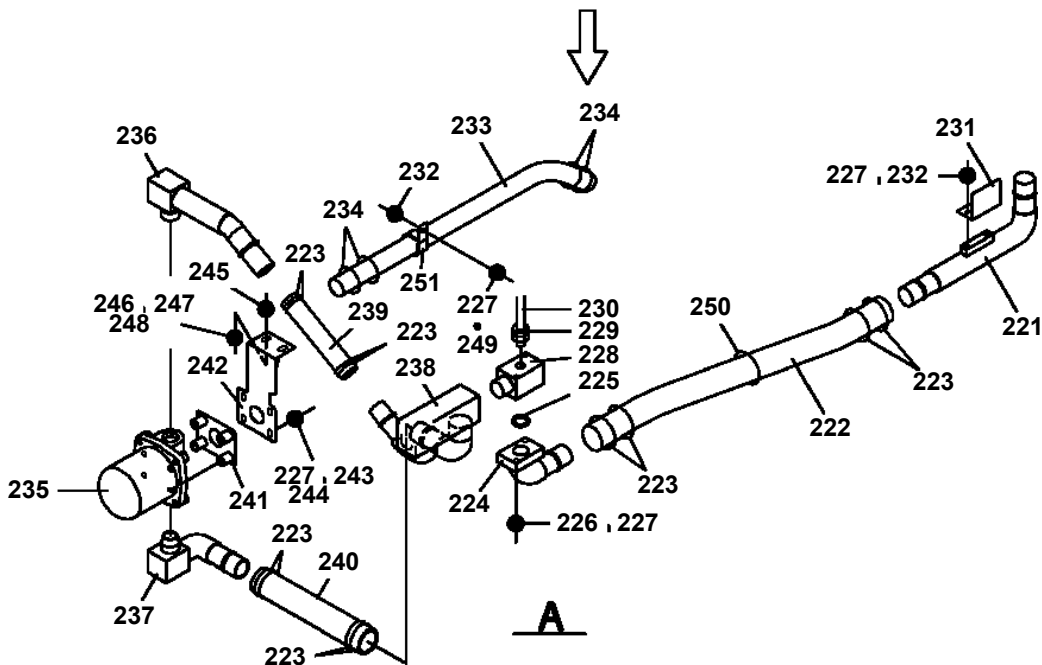
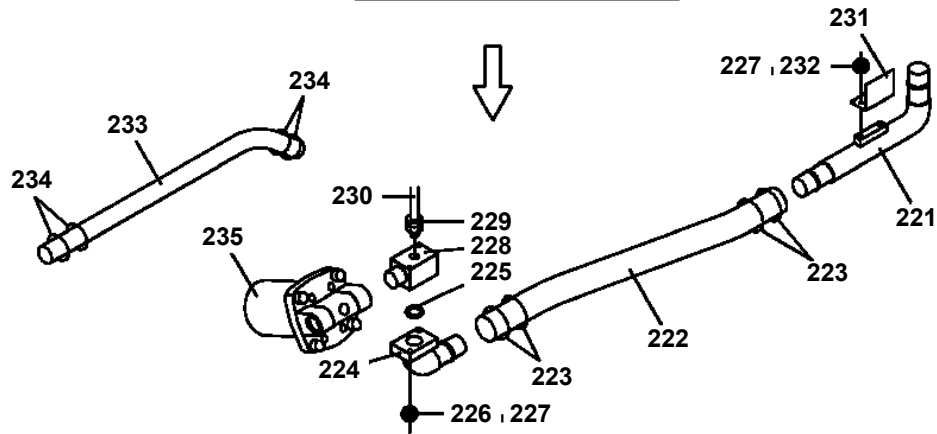
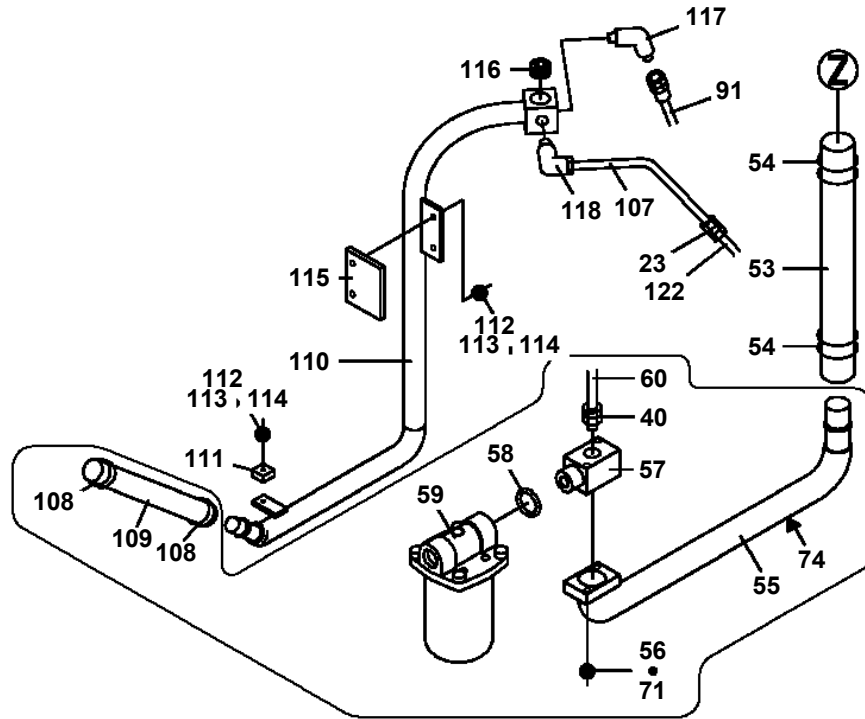
DT-720-1-43600 LOWER,ISUZU TKG-FRR90S1-JANYN-M

Pos No.	Parts No	Parts Name	Qty	Unit	Technical Data	Serial No (Start)	Serial No (End)	Remarks
11	36650715020	PLATE (SIDE)	4					
12	53063551010	SEAL,OIL	1					
13	36650975010	BOLT,HEXAGON SOCKET	4					
14	90302041201	WASHER,SPRING	4		12			
15	80602110360	RING,RITAINING	1		R36			
16	36650715060	BACKUP STRIP	4					
17	36650975020	GASKET	4					
18	36650715050	GASKET	4					
20	36650975030	SEAL KIT	1					
30	36651390000	PUMP,HYDRAULIC	1					

**DT-720-1-43600 LOWER,ISUZU TKG-FRR90S1-JANYN-M
PB1411154-04 PIPING,LOWER**



DT-720-1-43600 LOWER,ISUZU TKG-FRR90S1-JANYN-M
PC1200384-07 PIPING,OUTRIGGER

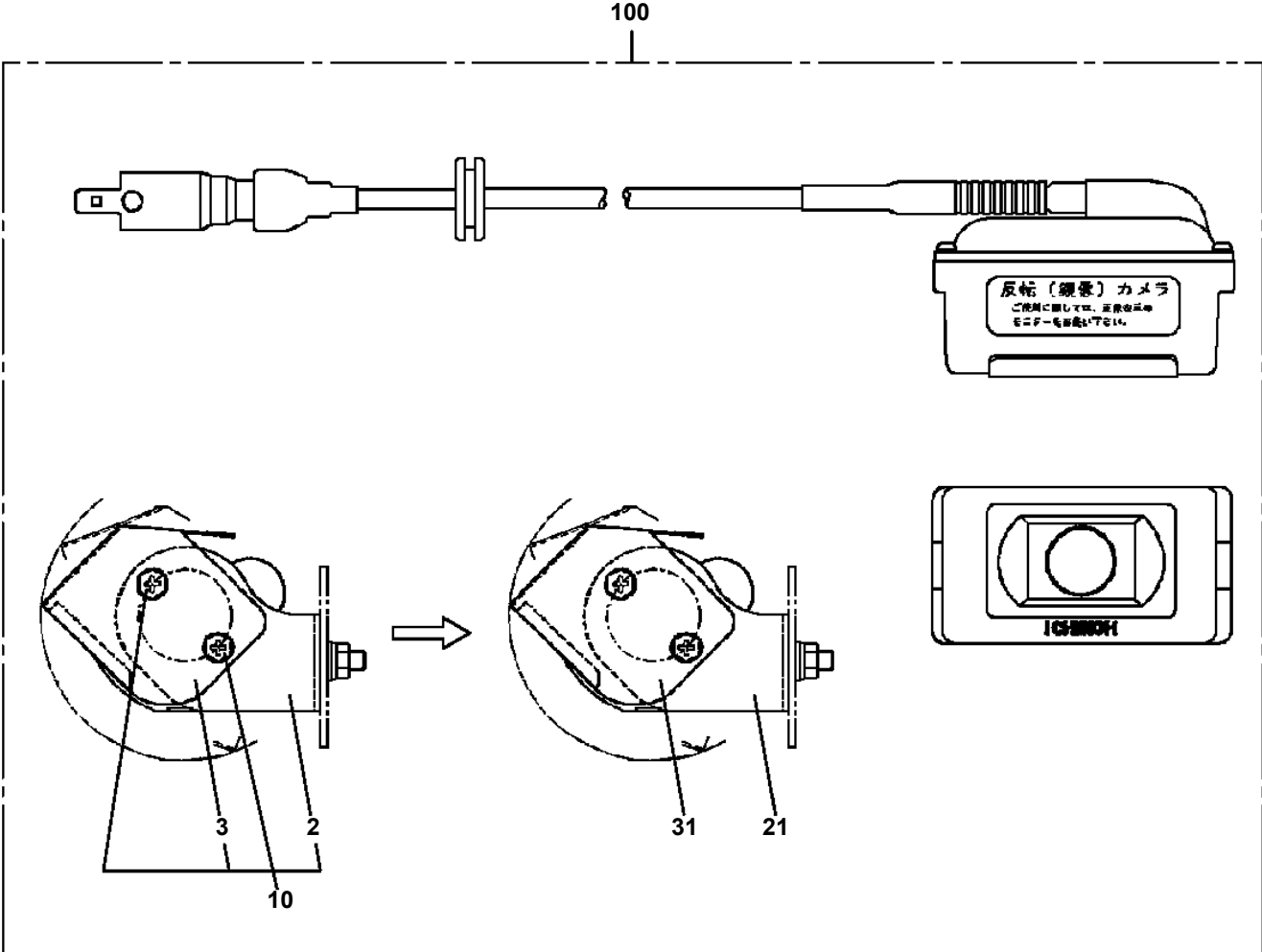


A

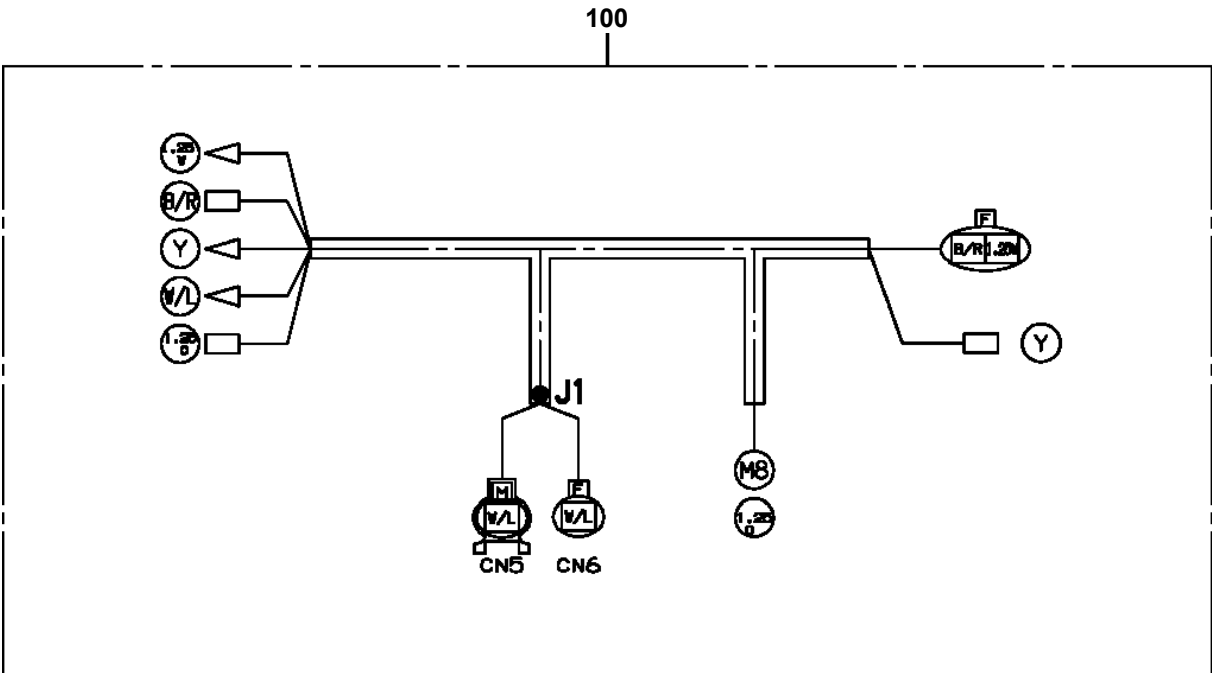
DT-720-1-43600 LOWER,ISUZU TKG-FRR90S1-JANYN-M

Pos No.	Parts No	Parts Name	Qty	Unit	Technical Data	Serial No (Start)	Serial No (End)	Remarks
2	42773067510	CABLE ASSY	1					
3	42739697540	CABLE ASSY	1					
4	42739697520	CLIP	1					
5	42773067520	REMOTE CONTROL ASSY	1					
100	32733111110	DISPLAY	1					

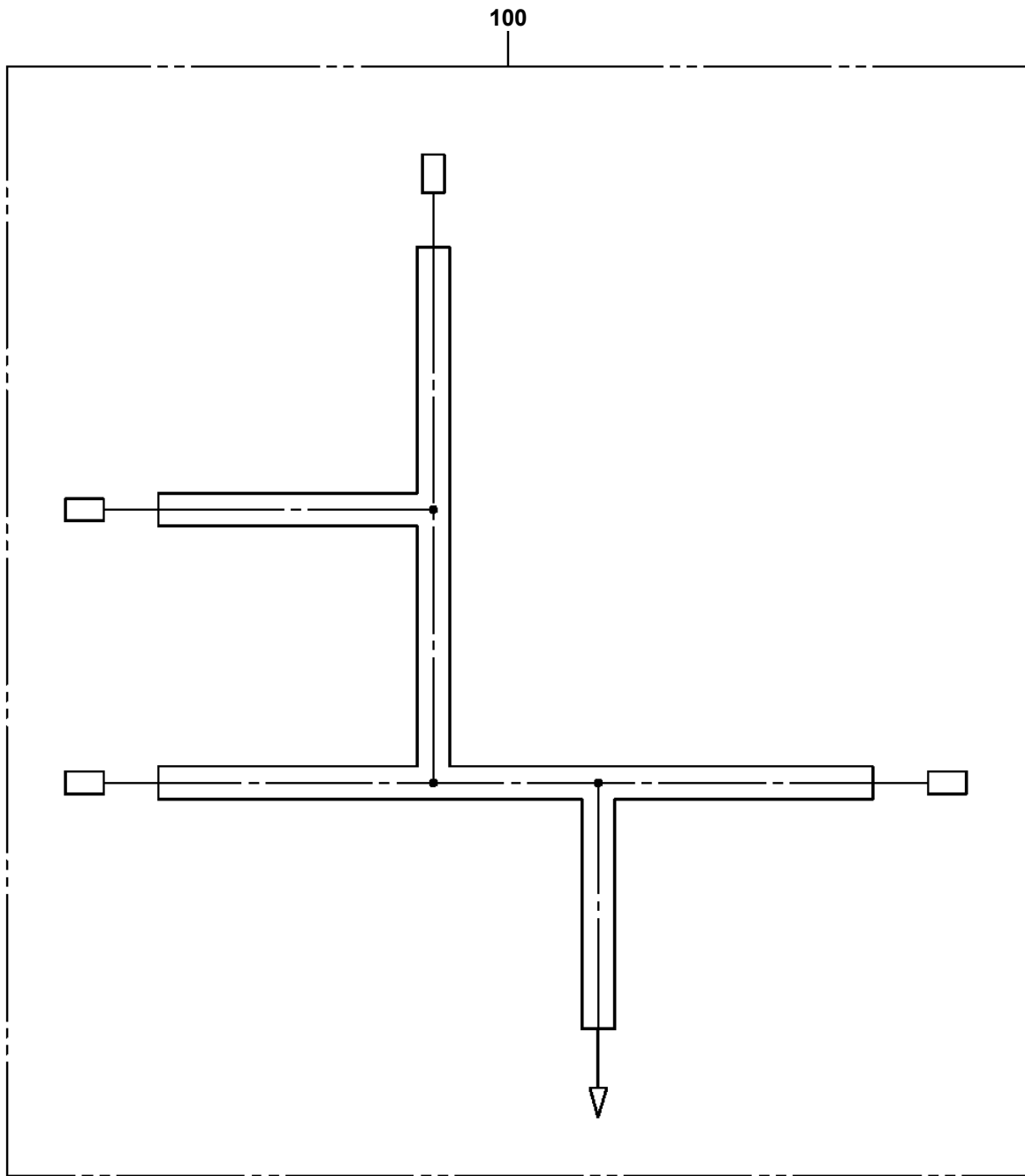
DT-720-1-43600 LOWER,ISUZU TKG-FRR90S1-JANYN-M
PH1750007-01 CAMERA



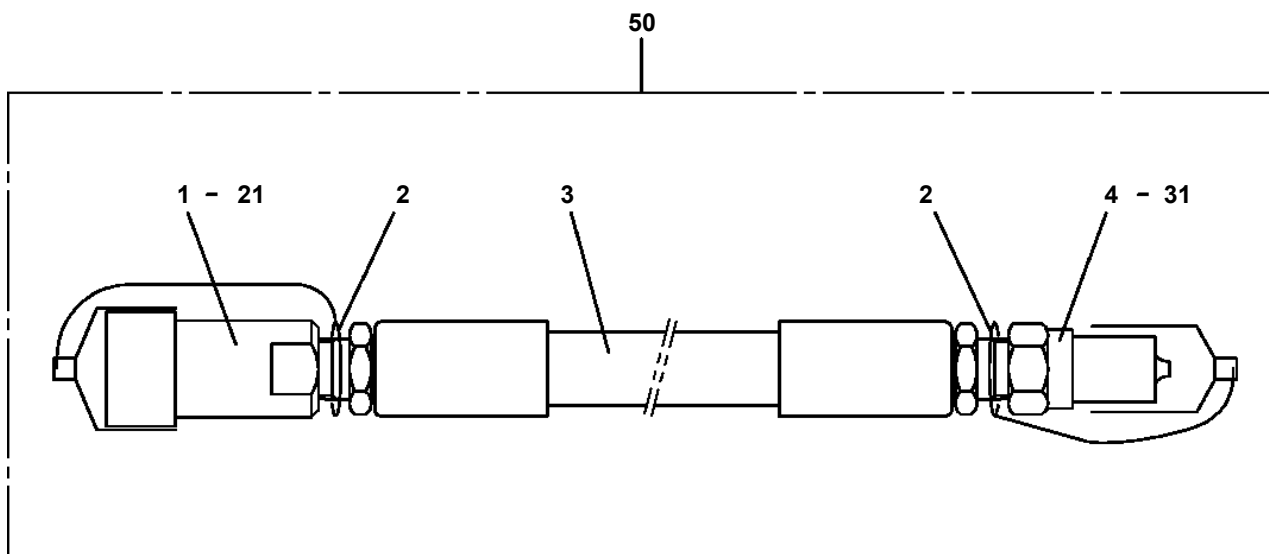
DT-720-1-43600 LOWER,ISUZU TKG-FRR90S1-JANYN-M
PH5031762-00 HARNESS (OUTSIDE CAB)



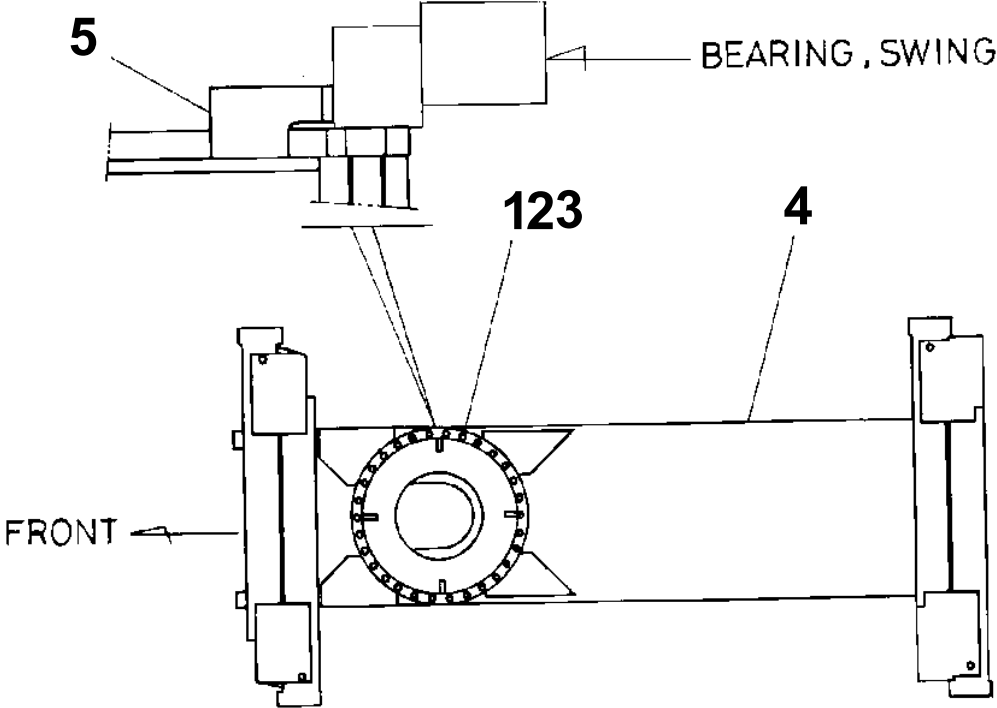
DT-720-1-43600 LOWER,ISUZU TKG-FRR90S1-JANYN-M
PH5034424-00 HARNESS



**DT-720-1-43600 LOWER,ISUZU TKG-FRR90S1-JANYN-M
PH5100018-00 HOSE ASSY (FOR RETRACTION)**



DT-720-1-43600 LOWER, ISUZU TKG-FRR90S1-JANYN-M
PK1010032-00 FRAME (CRANE)



CLICK HERE TO **DOWNLOAD** THE COMPLETE MANUAL

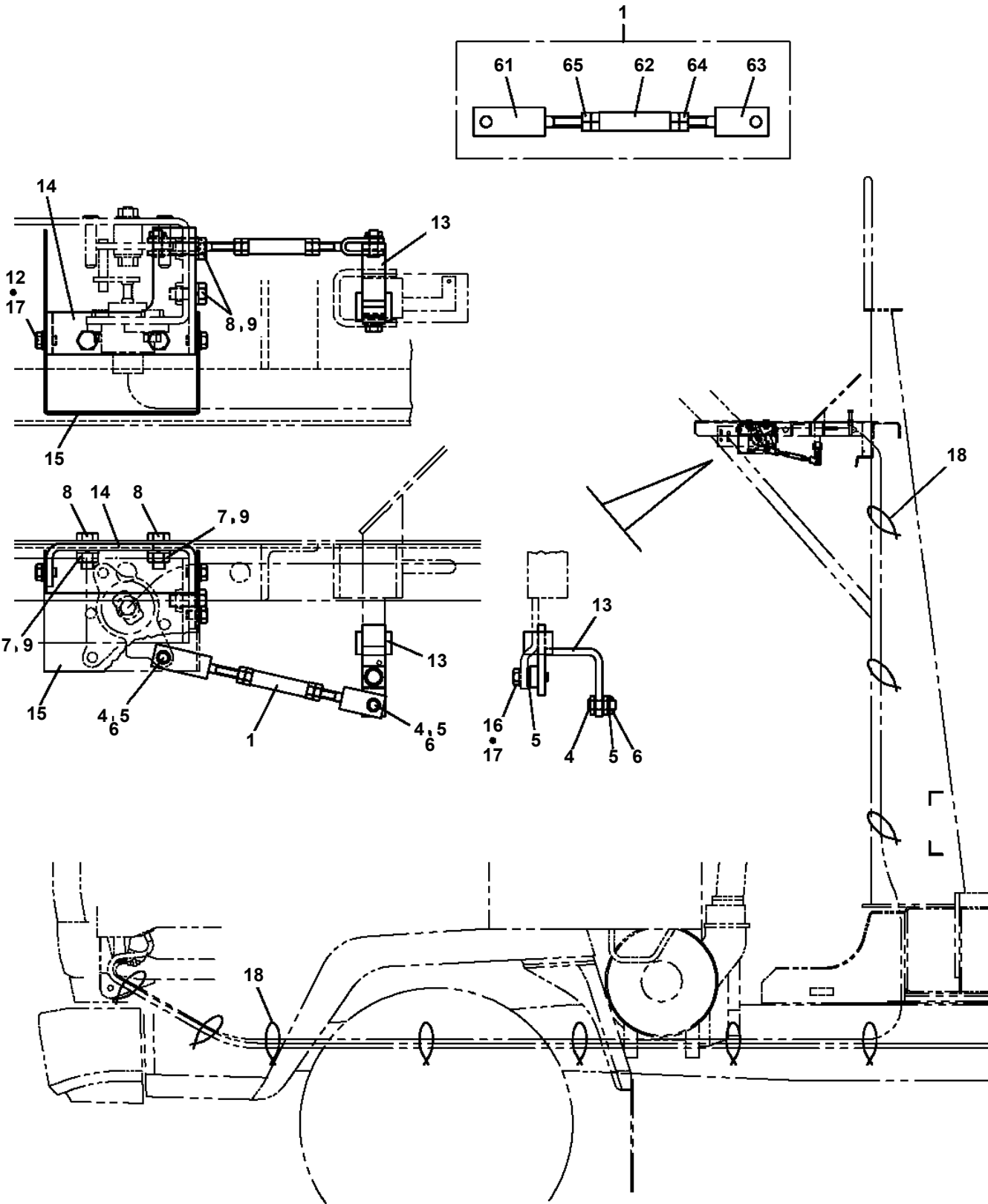
- Thank you very much for reading the preview of the manual.
- You can download the complete manual from: www.heydownloads.com by clicking the link below



- Please note: If there is no response to CLICKING the link, please download this PDF first and then click on it.

CLICK HERE TO **DOWNLOAD** THE COMPLETE MANUAL

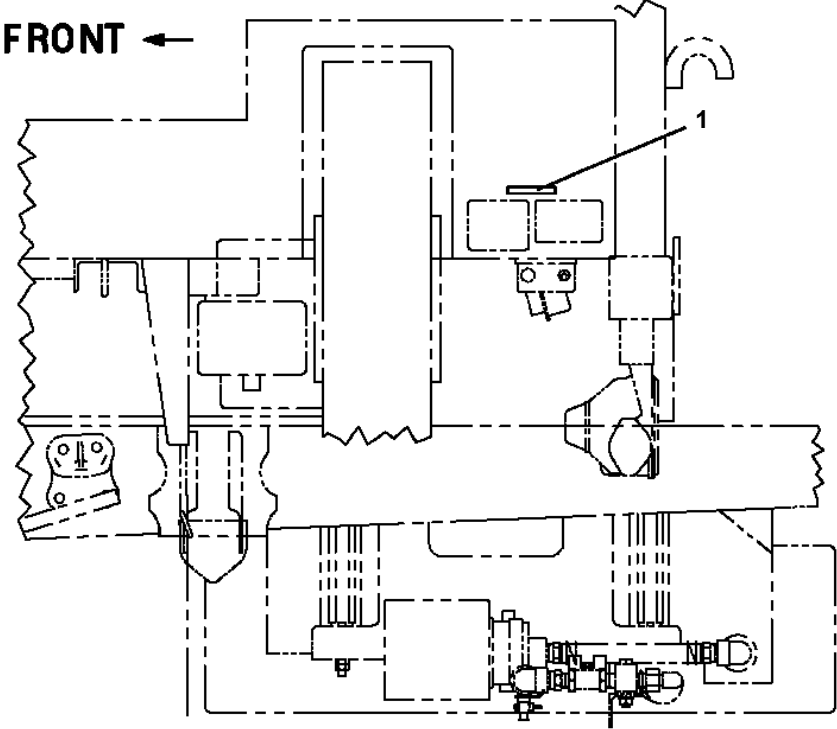
**DT-720-1-43600 LOWER,ISUZU TKG-FRR90S1-JANYN-M
PL1031120-01 OPE.ASSY,ACCELERATOR (ENGINE)**



DT-720-1-43600 LOWER,ISUZU TKG-FRR90S1-JANYN-M

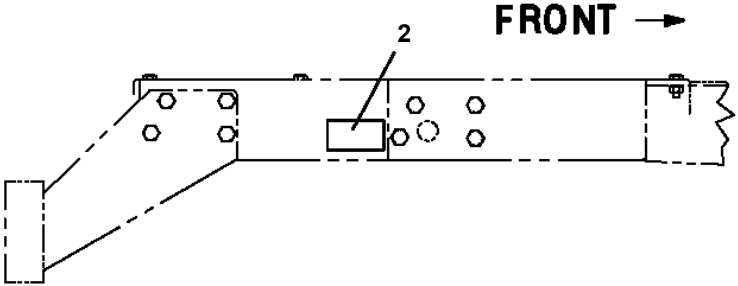
Pos No.	Parts No	Parts Name	Qty	Unit	Technical Data	Serial No (Start)	Serial No (End)	Remarks	Pages
1	32732971100	SUPPORT	1						
2	32732971200	SUPPORT	1						
3	90303071001	WASHER,PLAIN	1		10				
4	90101214030	BOLT	8		M14X30				
5	90302041401	WASHER,SPRING	8		14				
6	90201201400	NUT	8		M14				

**DT-720-1-43600 LOWER,ISUZU TKG-FRR90S1-JANYN-M
PN5010754-00 NAME PLATE ASSY (WATER PUMP SW,SPARE TIRE)**



1
水ポンプスイッチ

REAR OF FRAME LEFT SIDE



RIGHT SIDE OF REAR FRAME REAR END

DT-720-1-43600 LOWER,ISUZU TKG-FRR90S1-JANYN-M

Pos No.	Parts No	Parts Name	Qty	Unit	Technical Data	Serial No (Start)	Serial No (End)
1	37002203600	PLATE,NAME	1				
2	32940080010	PLATE,NAME	1				
3	32390050120	PLATE,NAME	1				
4	37002203620	PLATE,NAME	1				
5	37002202000	PLATE,NAME	1				
6	37002202010	PLATE,NAME	1				
7	42390010050	PLATE,NAME	1				
8	37002203630	PLATE,NAME	1				
9	37002203580	PLATE,NAME (OUTRIGGER)	1				
10	37002202090	PLATE,NAME (OUTRIGGER LEFT)	1				
11	37002202100	PLATE,NAME (OUTRIGGER LEFT)	1				
12	37002202070	PLATE,NAME (OUTRIGGER RIGHT)	1				
13	37002202080	PLATE,NAME (OUTRIGGER RIGHT)	1				
14	32390050110	PLATE,NAME	1				
15	37002226550	PLATE,NAME	1				
17	32940140011	PLATE,NAME	1				
18	12117140000	PLATE,NAME (GREASE)	3				
19	90451700100	SCREW,TAPPING	4		M4X6.4		
20	32940720050	PLATE,CAUTION	1				
21	32940720060	PLATE,NAME	1				
22	32940720020	PLATE,CAUTION	1				
23	32940720030	PLATE,CAUTION	1				
24	32940720040	PLATE,CAUTION	1				

DT-720-1-43600 LOWER,ISUZU TKG-FRR90S1-JANYN-M

Pos No.	Parts No	Parts Name	Qty	Unit	Technical Data	Serial No (Start)	Serial No (End)	Remarks
1	(*****)	MOUNT ASSY	1					
2	36050190000	CYLINDER,POLE PULLER	1					
3	32730030010	CHAIN	1					
4	32730030020	HOSE (6M.210KG/CM2)	2					
21	32730032000	PLATE,CAUTION	1					

DT-720-1-43600 LOWER,ISUZU TKG-FRR90S1-JANYN-M

Pos No.	Parts No	Parts Name	Qty	Unit	Technical Data	Serial No (Start)	Serial No (End)	Remarks	Pages
1	32690970600	SUPPORT	1						

DT-720-1-43600 LOWER,ISUZU TKG-FRR90S1-JANYN-M

Pos No.	Parts No	Parts Name	Qty	Unit	Technical Data	Serial No (Start)	Serial No (End)
1	(*****)	PARTS ASSY,ELECTRICITY (MONITOR)	1				
2	(*****)	PARTS ASSY,ELECTRICITY (CAMERA)	1				

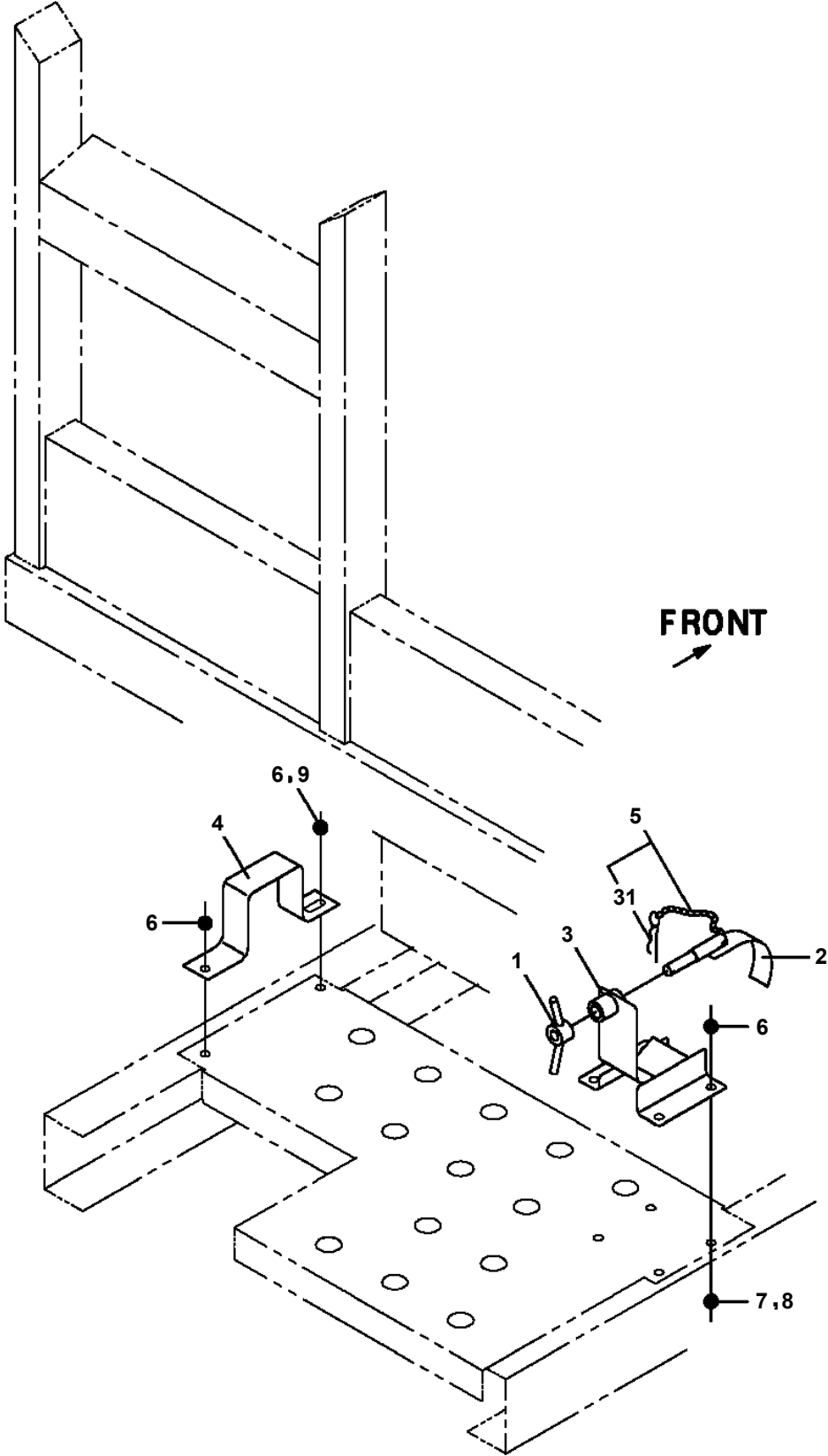
DT-720-1-43600 LOWER,ISUZU TKG-FRR90S1-JANYN-M

Pos No.	Parts No	Parts Name	Qty	Unit	Technical Data	Serial No (Start)	Serial No (End)	Remarks	Pages
1	36100610001	TANK,OIL	1						000016
2	32660130010	SUPPORT	1						
3	32660030020	BAND	2						
4	90201201000	NUT	4		M10				
6	90101512025	BOLT	4		M12X25				
7	90302041201	WASHER,SPRING	4		12				
15	32660130030	SUPPORT	4						

DT-720-1-43600 LOWER,ISUZU TKG-FRR90S1-JANYN-M

Pos No.	Parts No	Parts Name	Qty	Unit	Technical Data	Serial No (Start)	Serial No (End)	Remar
2	32690137510	COVER	1					
3	32690137520	PLATE	2					
4	32690137530	PLATE	6					
5	32690137540	PACKING	2					
6	32690137550	PACKING	3					
7	32690137560	CUSHION	1					
8	32691305110	HINGE (B-101-4)	3					
9	32691305120	CATCH (C-1012-1-1)	2					
10	32690137570	SCREW,MACHINE	4		M3X10			
11	32690137580	SCREW,MACHINE (WITH/SW)	4		M3X8			
12	42835257960	SCREW,MACHINE	18		M4X10			
100	32690130010	BOX,TOOL	1					

**DT-720-1-43600 LOWER,ISUZU TKG-FRR90S1-JANYN-M
PX5010338-00 MOUNT ASSY**

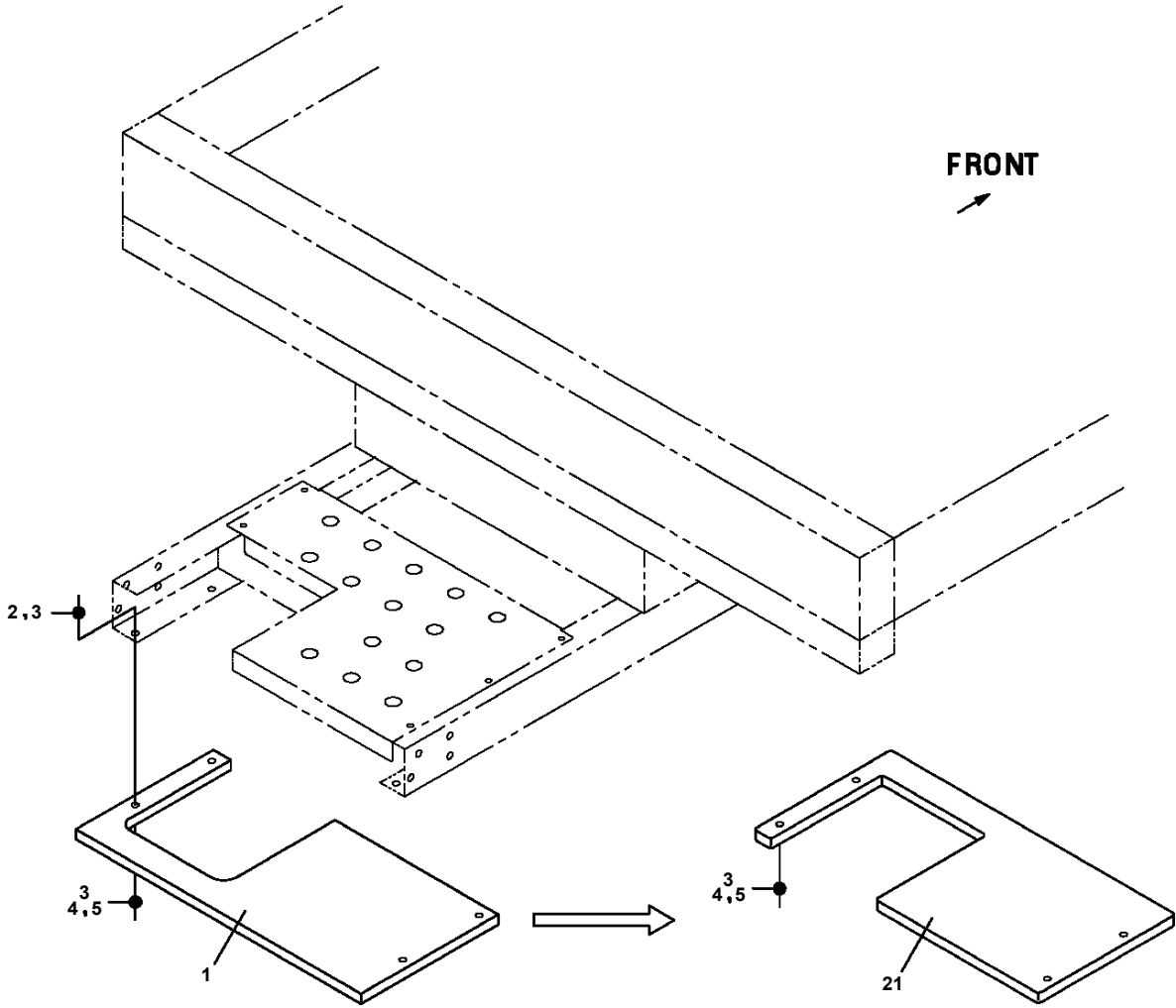


DT-720-1-43600 LOWER,ISUZU TKG-FRR90S1-JANYN-M
 PX5590035-00 MOUNT ASSY,PUMP (WATER TANK/REAR STOWING)

マウントASSY,ポンプ
 MOUNT ASSY,PUMP

指示番号 KEY NO.	部品名称 PART NAME	備考 REMARK
1	マウントASSY,サポート MOUNT ASSY,SUPPORT	*
2	カイソウASSY MODIFICATION ASSY	*
3	ネームプレートASSY NAME PLATE ASSY	*
4	マウントASSY,ポンプ MOUNT ASSY,PUMP	*
5	マウントASSY,タンク MOUNT ASSY,TANK	*

**DT-720-1-43600 LOWER,ISUZU TKG-FRR90S1-JANYN-M
PX5820050-01 MOUNT ASSY,WEIGHT**



DT-720-1-43600 LOWER,ISUZU TKG-FRR90S1-JANYN-M

Pos No.	Parts No	Parts Name	Qty	Unit	Technical Data	Serial No (Start)	Serial No (End)
2	80136340045	PIN,SPLIT	2		4X45		
3	37000119320	PIN	1				
4	36050190020	FLOAT	1				
26	36050192130	ROD	1				
29	91002907500	O-RING	1		1B G75		
30	36050192040	COVER,ROD	1				
31	91001208500	O-RING	1		1A G85		
33	91694006000	PACKING	1				
34	91410206002	RING,BACKUP	1				
35	91660006000	SEAL,DUST	1				
36	80622000600	RING,RITAINING	1		SP60		
38	91002801400	O-RING	2		1B P14		
39	90730008120	SCREW,SET	1		M8X12		
40	91002802600	O-RING	1		1B P26		
41	36050192110	PISTON	1				
43	91350207500	BEARING,PLAIN (WITH PACKINGX2)	1				
44	80457030600	CAP	1				
45	80458010600	PLUG (FOR FEMAIL)	1		06		
61	91071011500	O-RING	1		Y22550-115-A		
62	91470000600	RING,BACKUP	1		Y22021-06		
83	36050199901	PACKING SET	1		60X75		
91	80456120610	JOINT,SELF SEALING (PLUG)	1				
95	36050192120	CYLINDER	1				
98	80456110610	JOINT,SELF SEALING (SOCKET)	1				
100	36050190000	CYLINDER,POLE PULLER	1				

DT-720-1-43600 LOWER,ISUZU TKG-FRR90S1-JANYN-M

Pos No.	Parts No	Parts Name	Qty	Unit	Technical Data	Serial No (Start)	Serial No (End)	Remarks	P
1	80456010610	JOINT,SELF SEALING	1						
2	90000000110	RING (NISSA NO.4)	2						
3	37002409430	HOSE	1		L=6000				
4	80456020610	JOINT,SELF SEALING	1						
10	32730030020	HOSE (6M.210KG/CM2)	1						
21	42340017550	CAP (DUST)	1						
31	91071011500	O-RING	1		Y22550-115-A				

CLICK HERE TO **DOWNLOAD** THE COMPLETE MANUAL

- Thank you very much for reading the preview of the manual.
- You can download the complete manual from: www.heydownloads.com by clicking the link below



- Please note: If there is no response to CLICKING the link, please download this PDF first and then click on it.

CLICK HERE TO **DOWNLOAD** THE COMPLETE MANUAL