

DT-700-1-20700 LOWER,MITSUBISHI P-FK417F

PX1000640-00 MOUNTING PARTS

PY1000197-02 OPTIONS

ASSEMBLY

CLICK HERE TO **DOWNLOAD** THE COMPLETE MANUAL

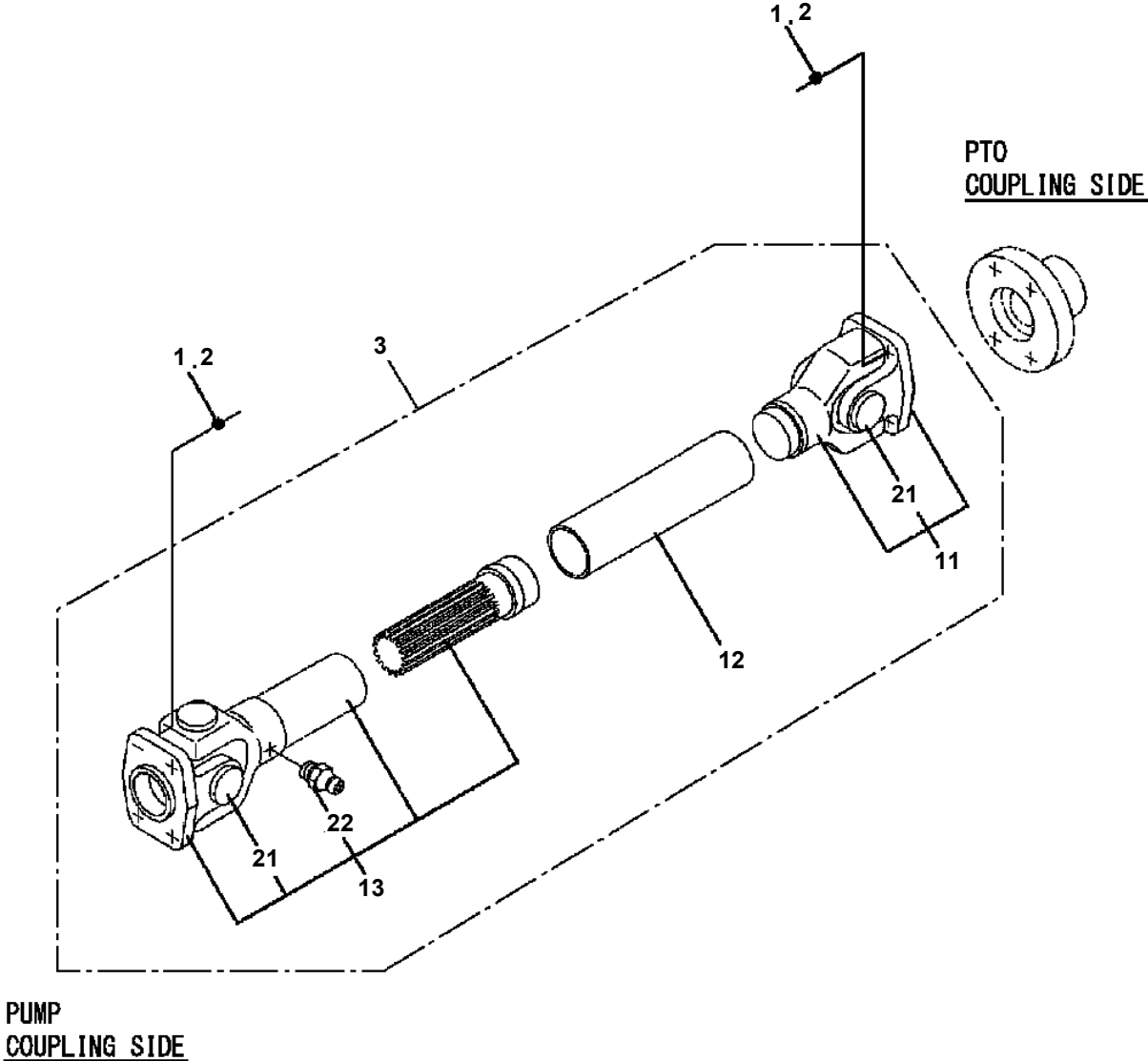
- Thank you very much for reading the preview of the manual.
- You can download the complete manual from: www.heydownloads.com by clicking the link below



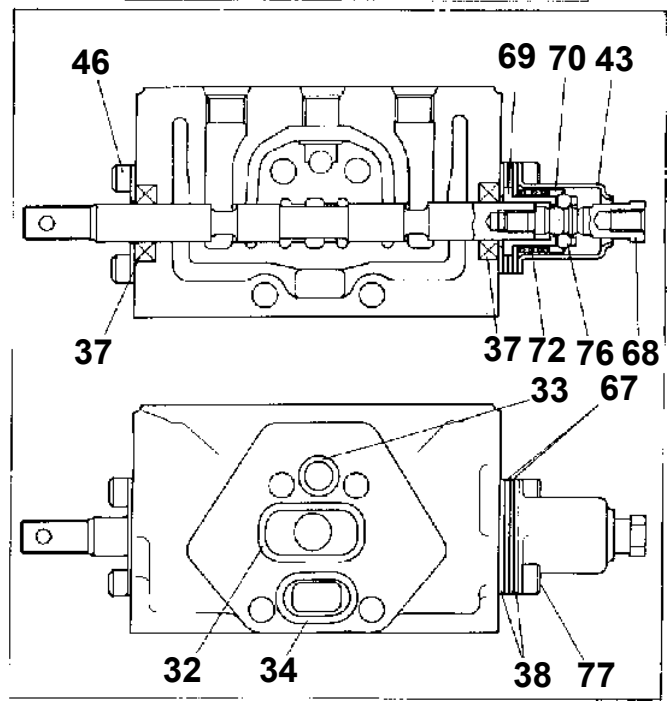
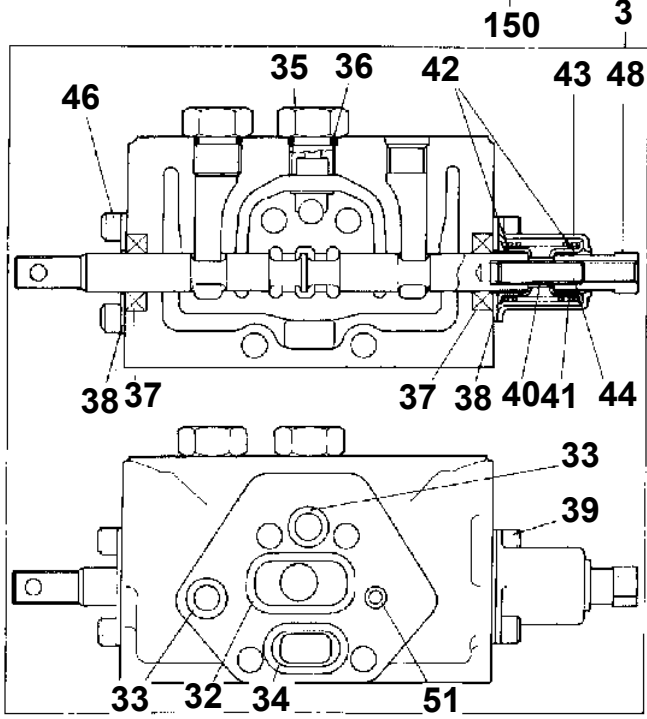
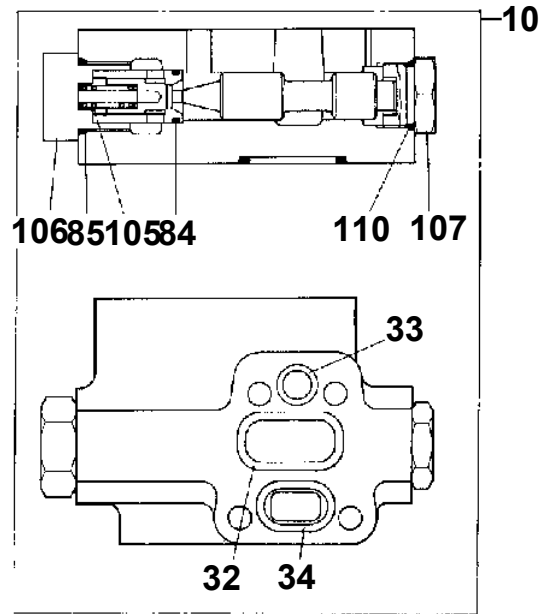
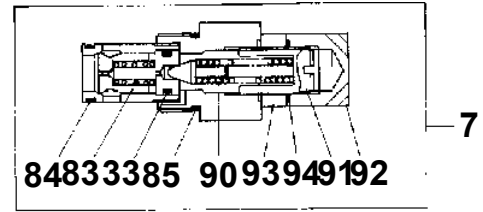
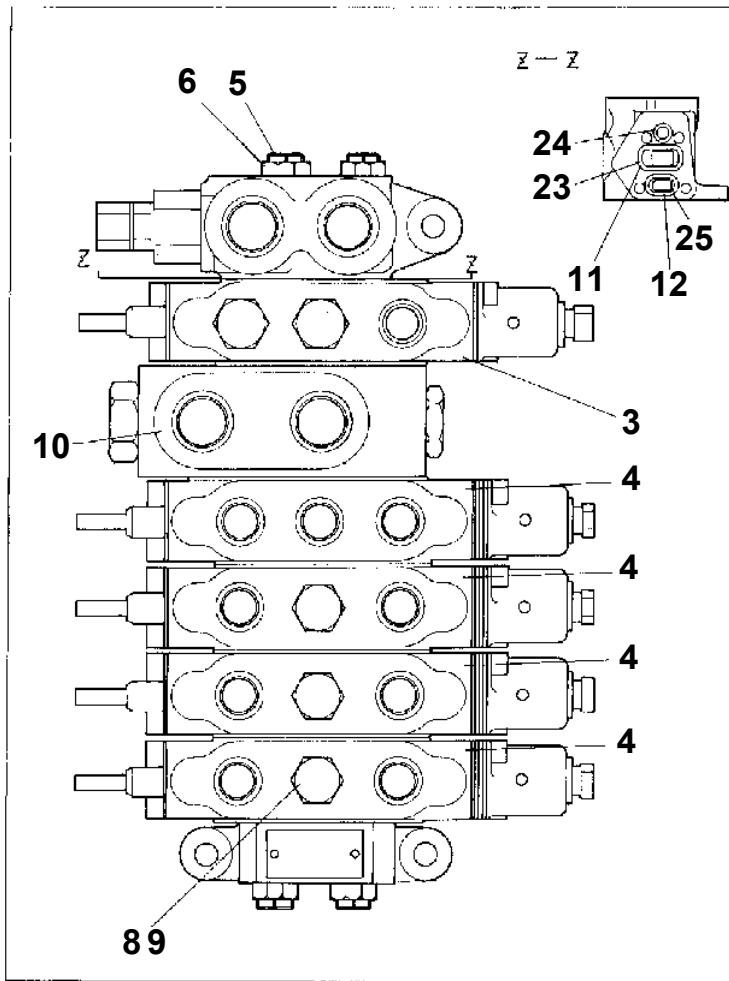
- Please note: If there is no response to CLICKING the link, please download this PDF first and then click on it.

CLICK HERE TO **DOWNLOAD** THE COMPLETE MANUAL

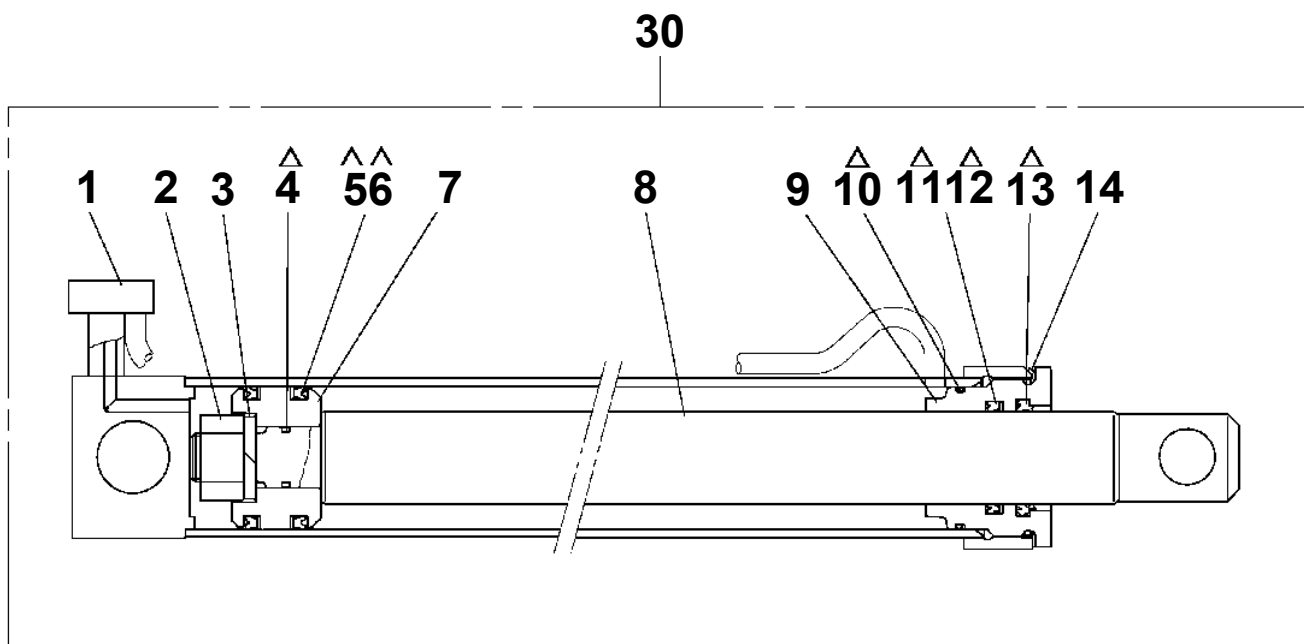
**DT-700-1-20700 LOWER, MITSUBISHI P-FK417F
PB1070022-02 PROPELLER SHAFT, PUMP**



**DT-700-1-20700 LOWER, MITSUBISHI P-FK417F
PB1320118-00 VALVE, MANUAL CONTROL**

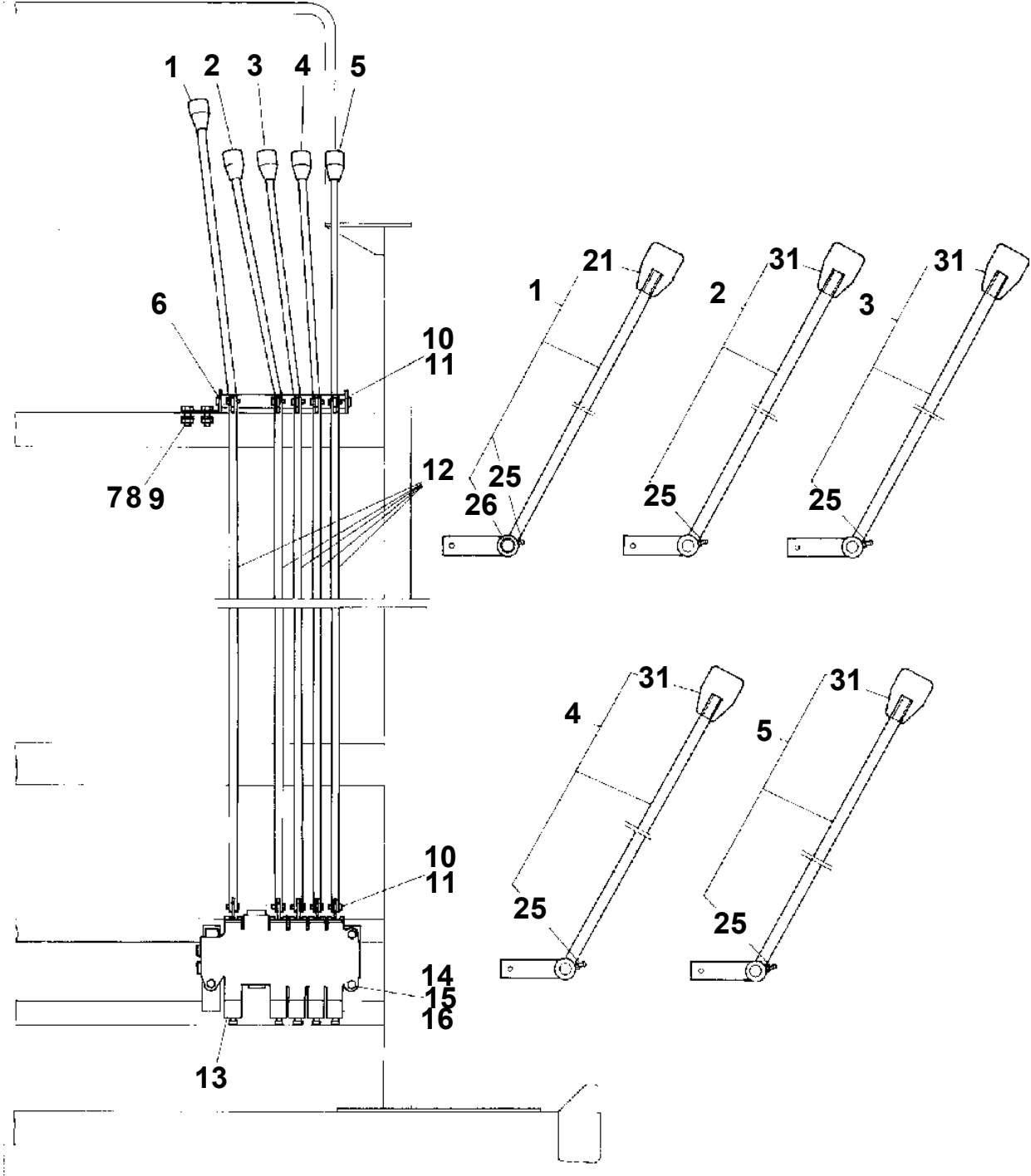


DT-700-1-20700 LOWER,MITSUBISHI P-FK417F
PC1030024-01 CYLINDER,JACK

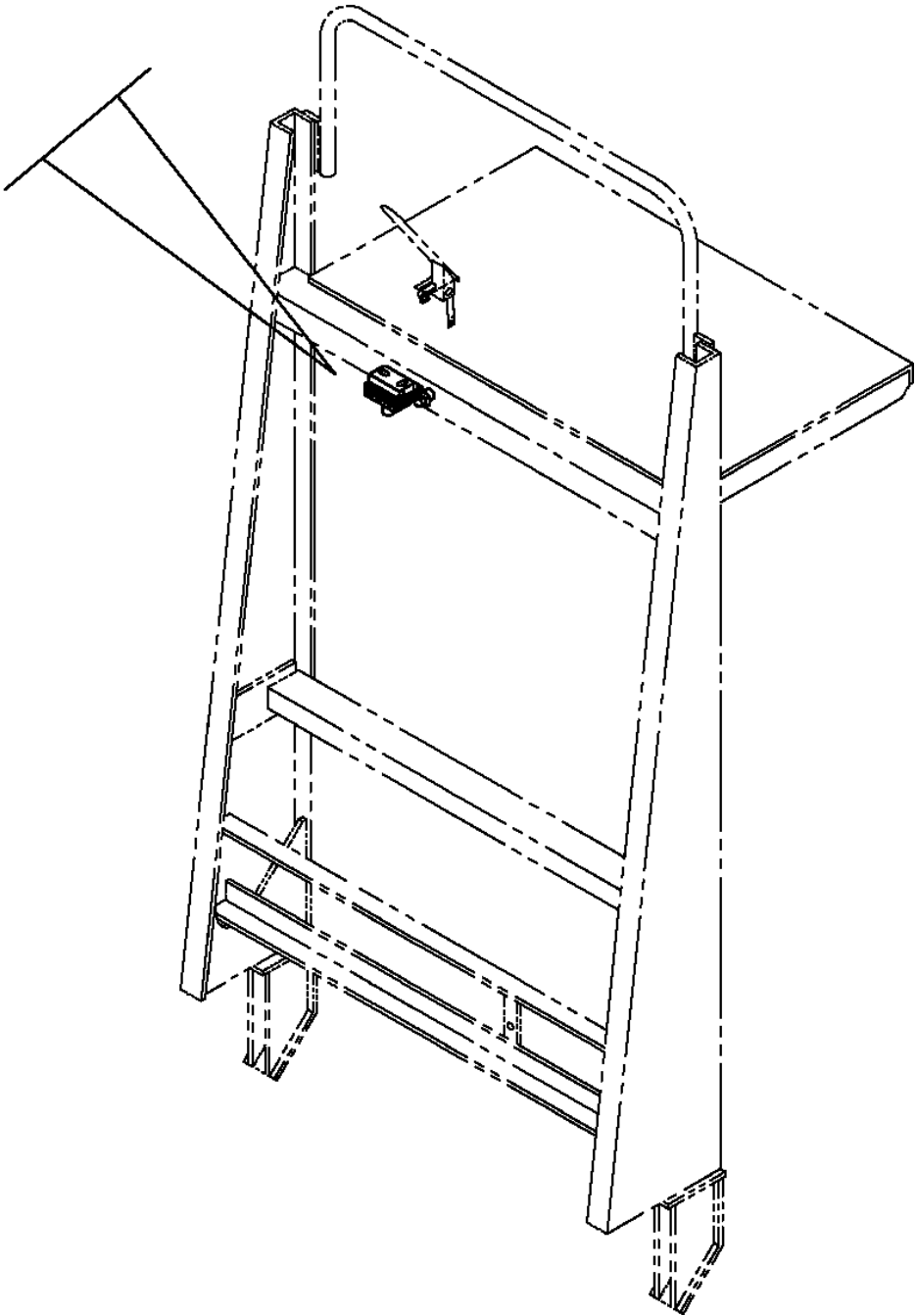
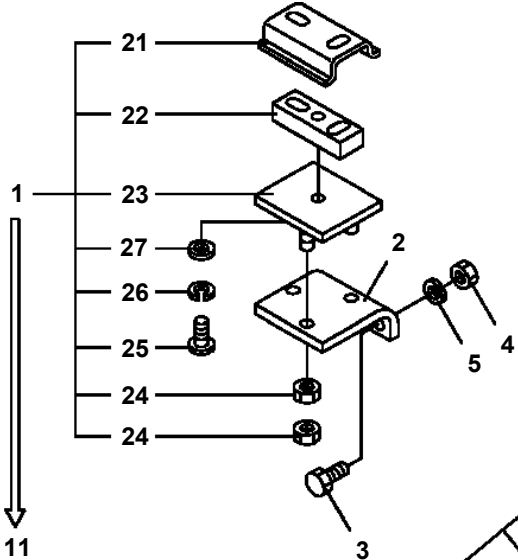


△ : PACKING SET KEY NC**51** (KEY NO. 4,5,6,10,11,12,13)

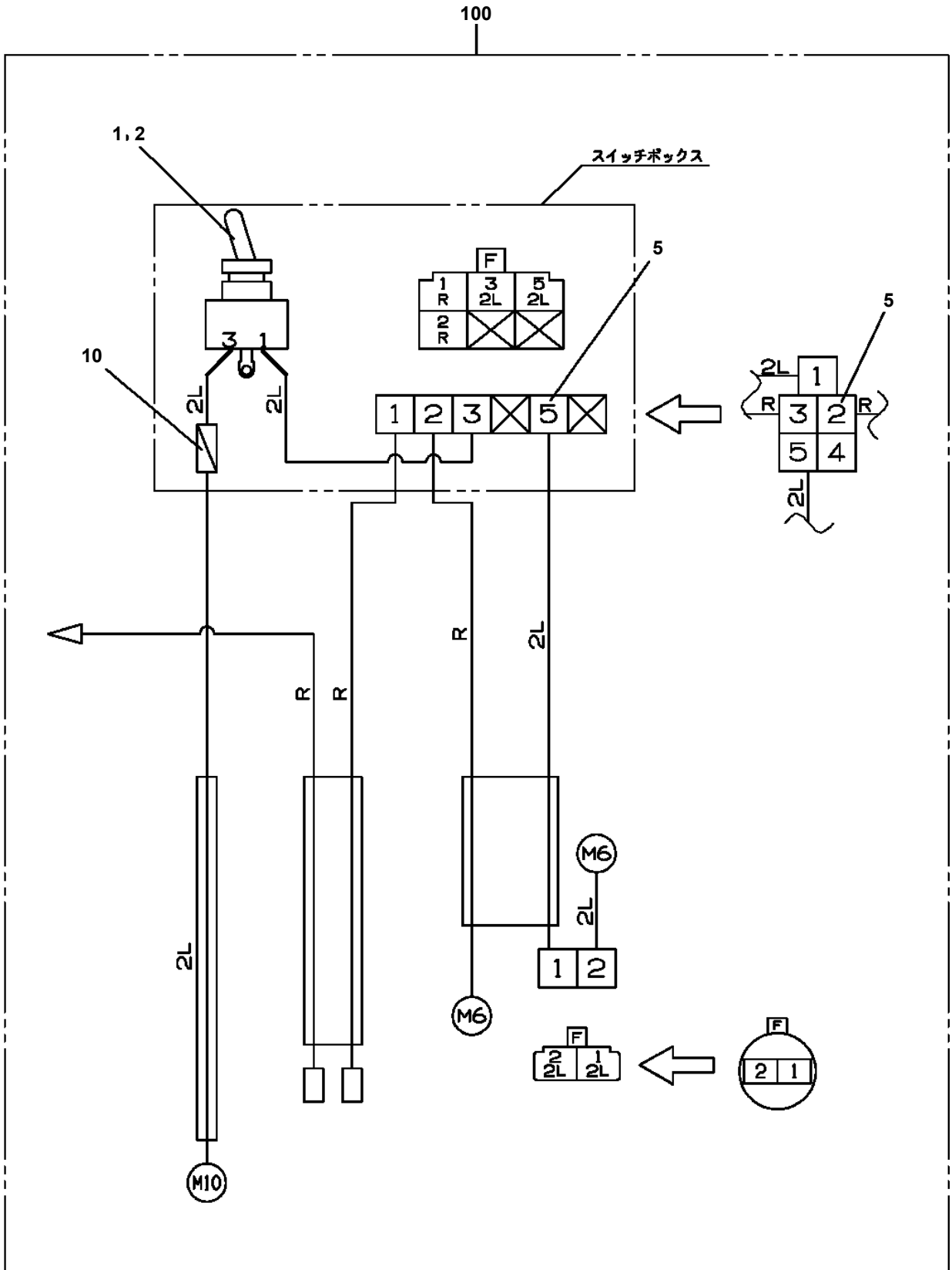
**DT-700-1-20700 LOWER, MITSUBISHI P-FK417F
PC1100029-01 OPERATION SYSTEM, OUTRIGGER**



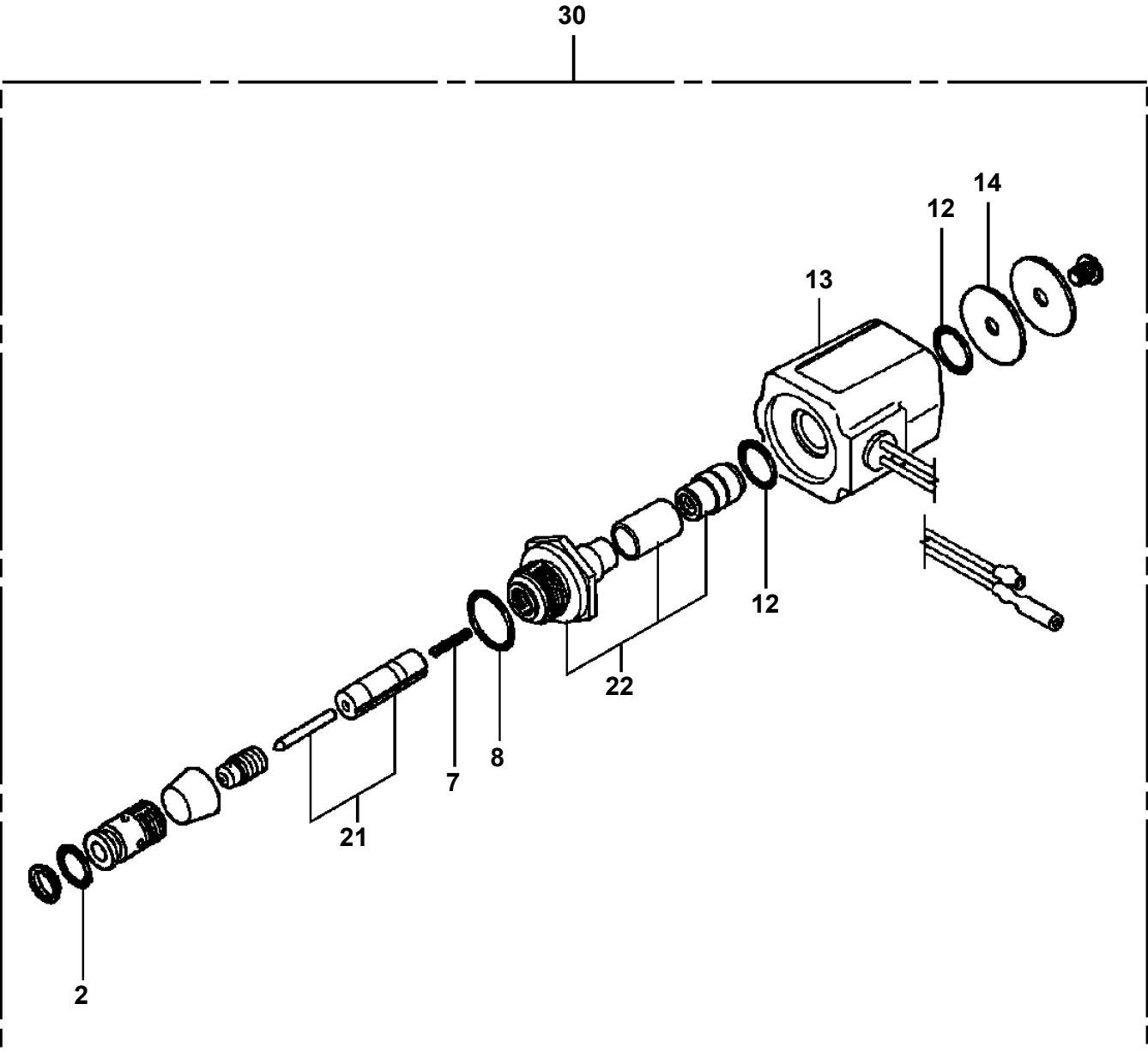
**DT-700-1-20700 LOWER, MITSUBISHI P-FK417F
PH1390001-02 LEVEL GAUGE (OPTION)**



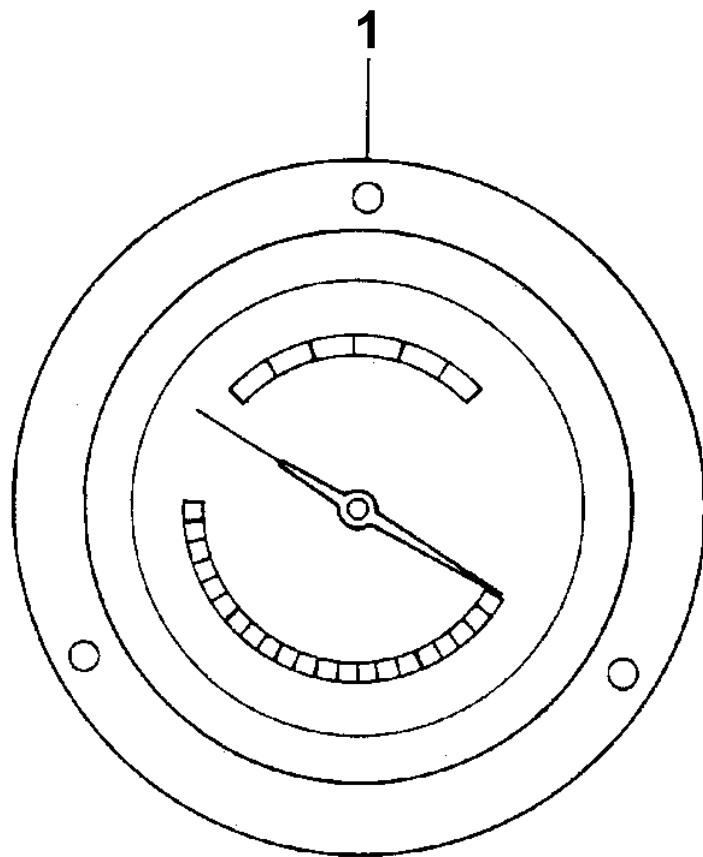
DT-700-1-20700 LOWER, MITSUBISHI P-FK417F
 PH5034427-00 HARNESS (WITH SWITCH)



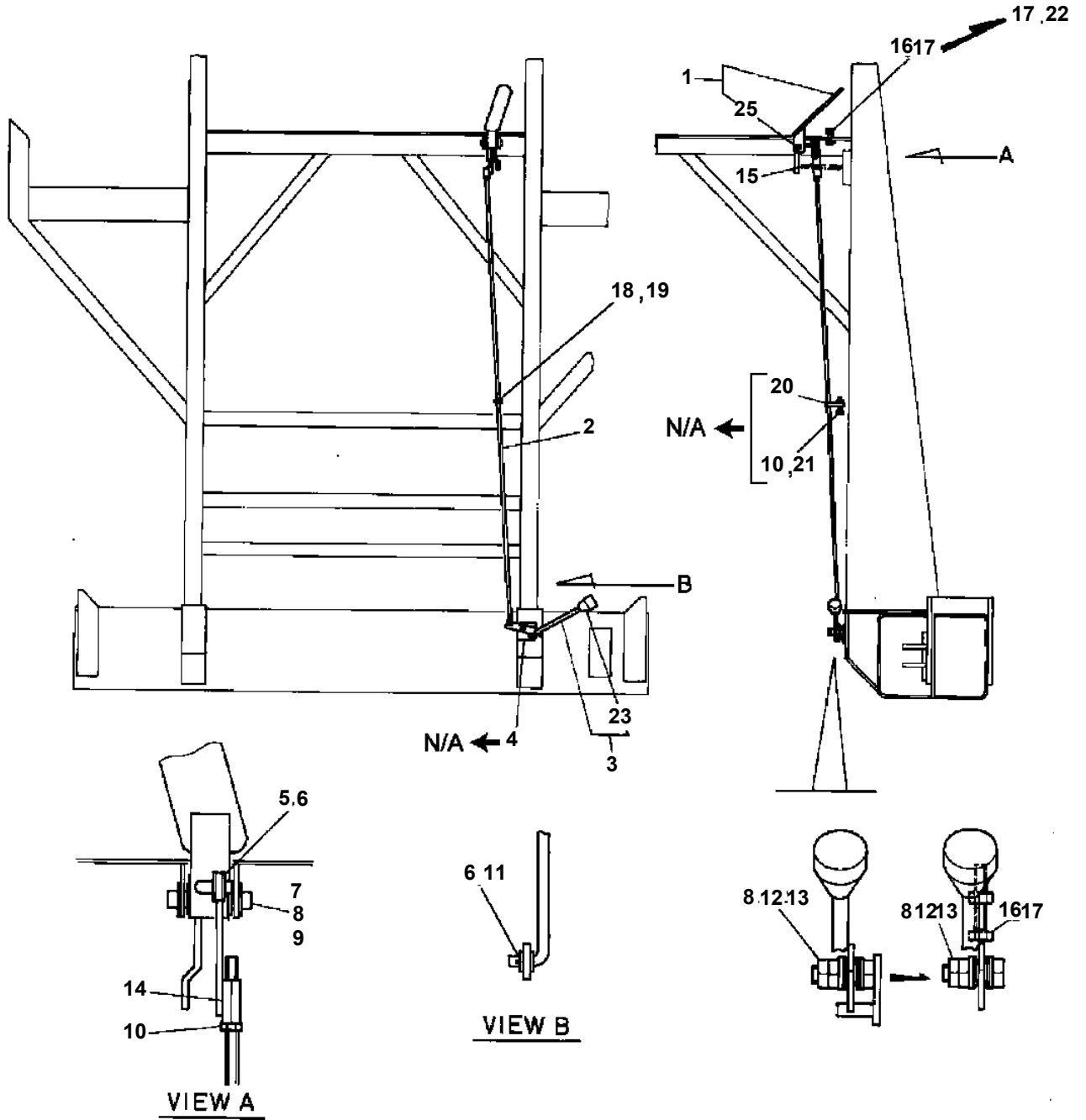
DT-700-1-20700 LOWER, MITSUBISHI P-FK417F
PI1120034-01 VALVE, SOLENOID



DT-700-1-20700 LOWER,MITSUBISHI P-FK417F
PI1440004-00 METER,LOAD



DT-700-1-20700 LOWER, MITSUBISHI P-FK417F
PL1030051-03 OPE. ASSY, ACCELERATOR (



CLICK HERE TO **DOWNLOAD** THE COMPLETE MANUAL

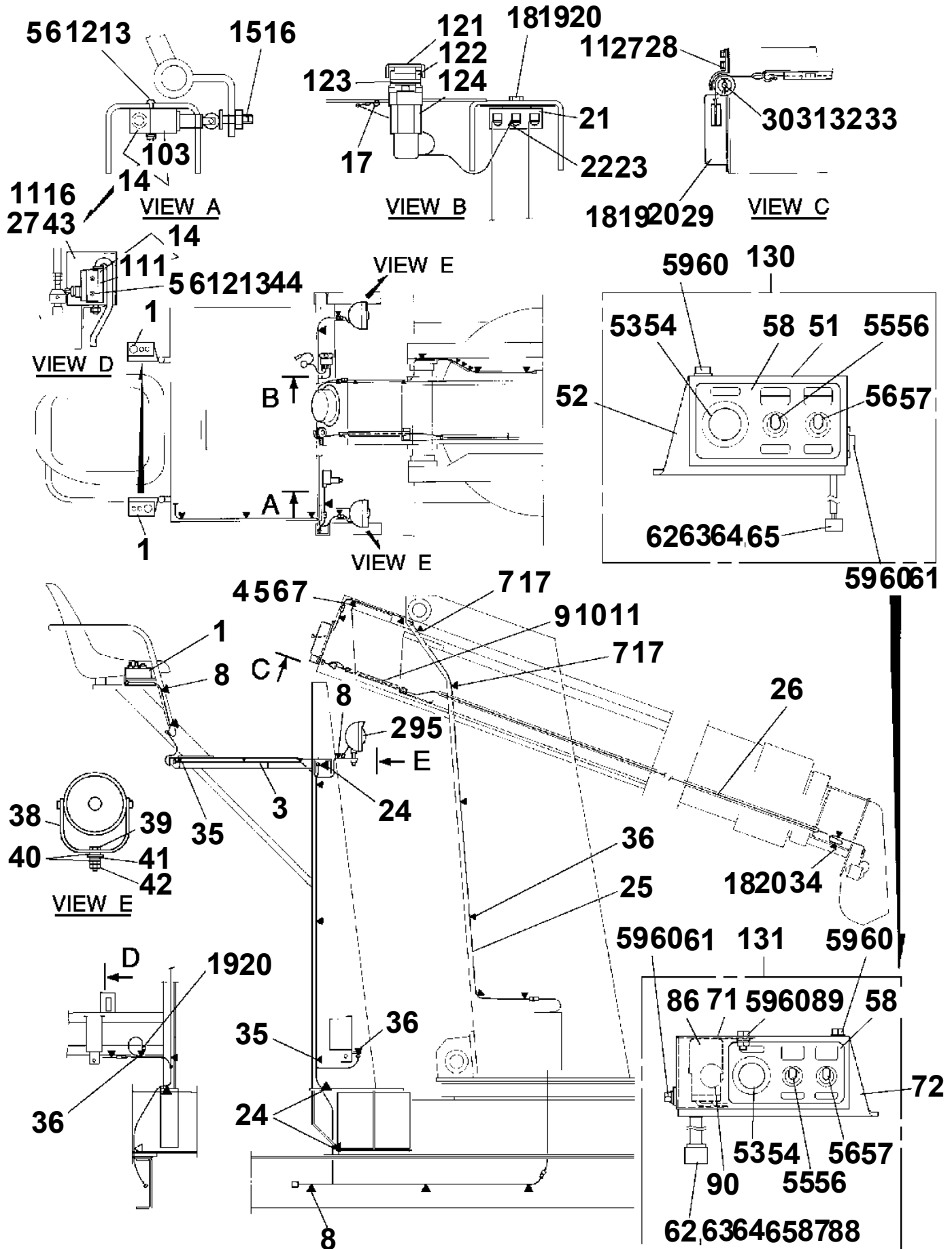
- Thank you very much for reading the preview of the manual.
- You can download the complete manual from: www.heydownloads.com by clicking the link below



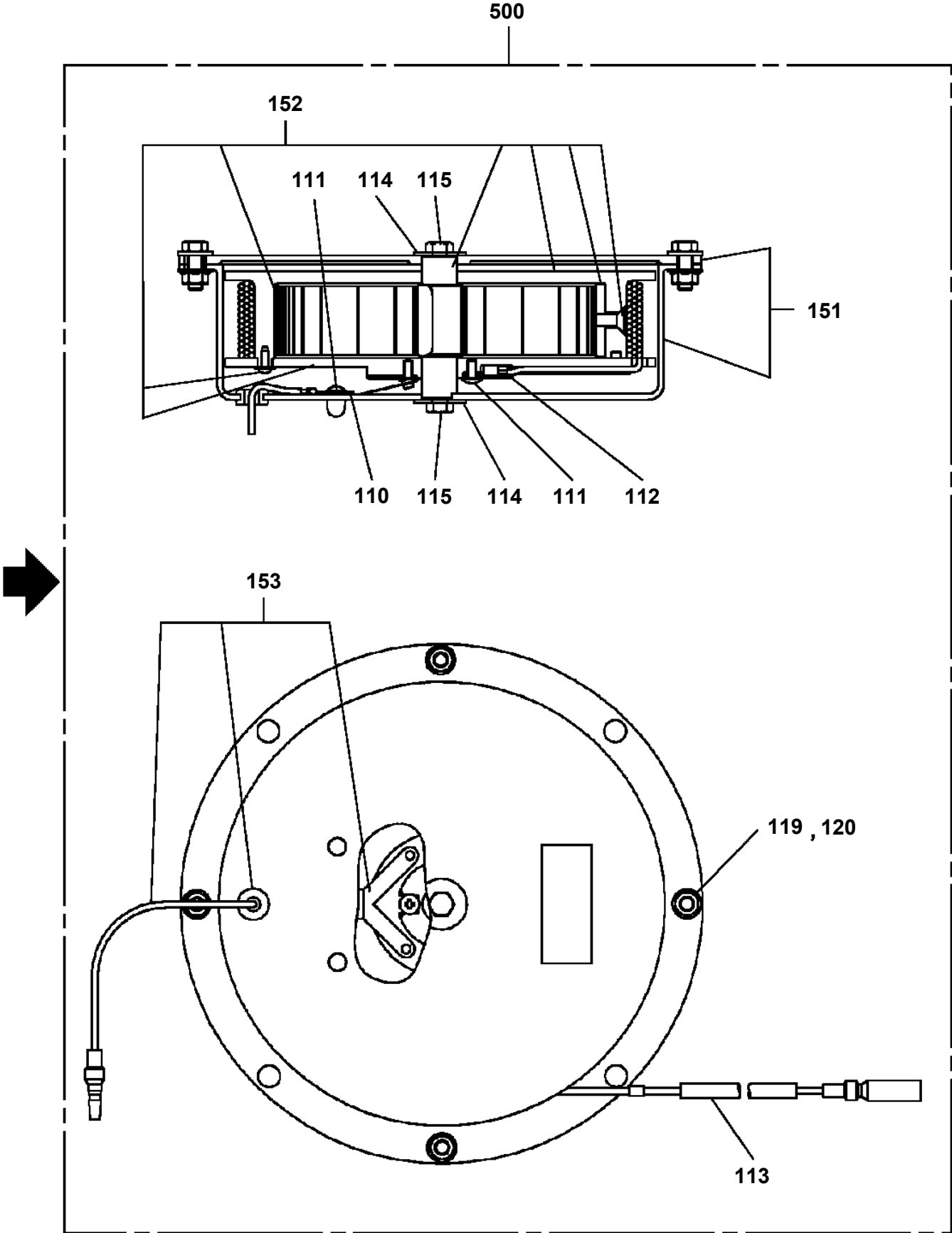
- Please note: If there is no response to CLICKING the link, please download this PDF first and then click on it.

CLICK HERE TO **DOWNLOAD** THE COMPLETE MANUAL

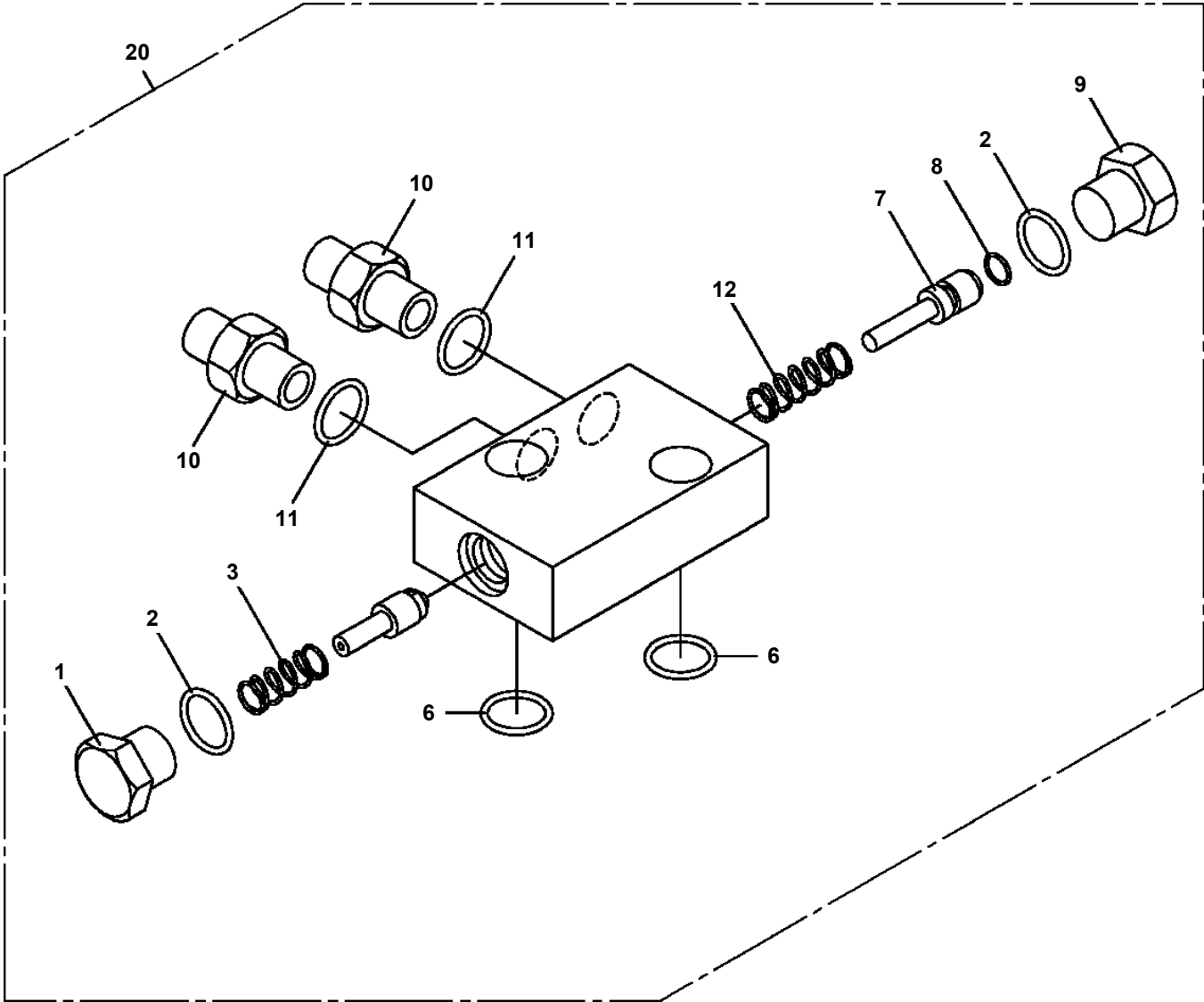
DT-700-1-20700 LOWER, MITSUBISHI P-FK417F
 PN1010104-04 ELECTRICAL ACCESSORIES



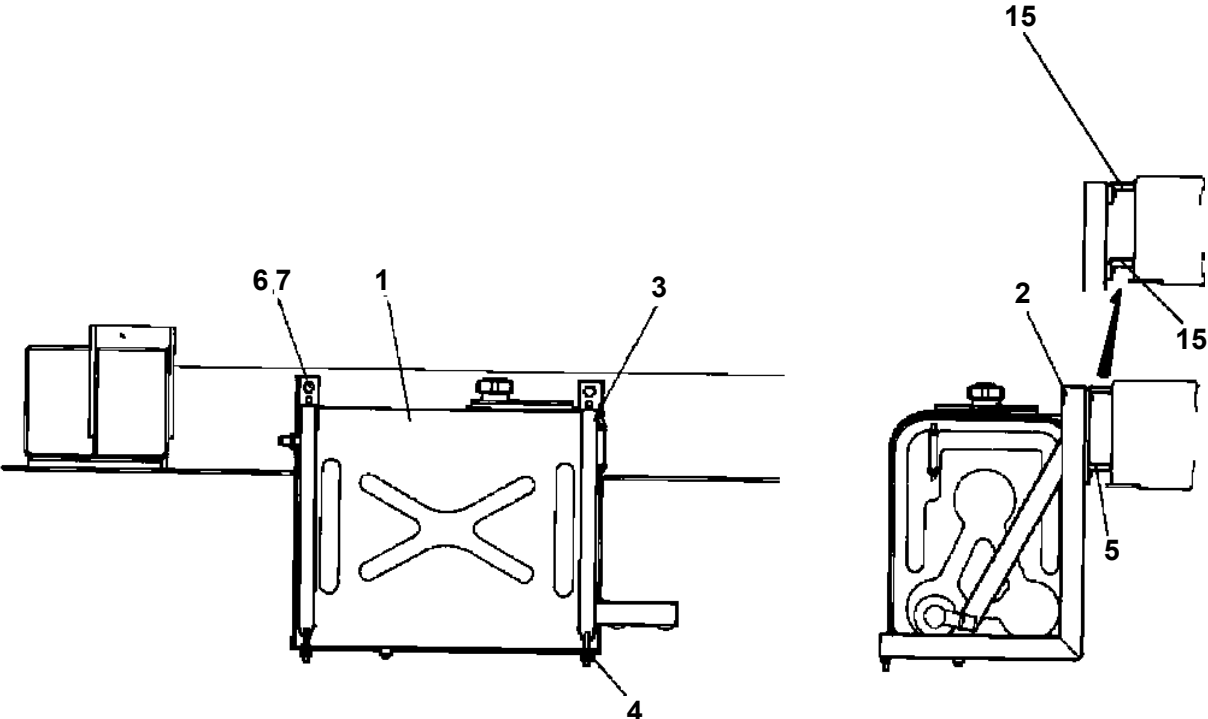
DT-700-1-20700 LOWER, MITSUBISHI P-FK417F
PN1350070-02 REEL, CORD



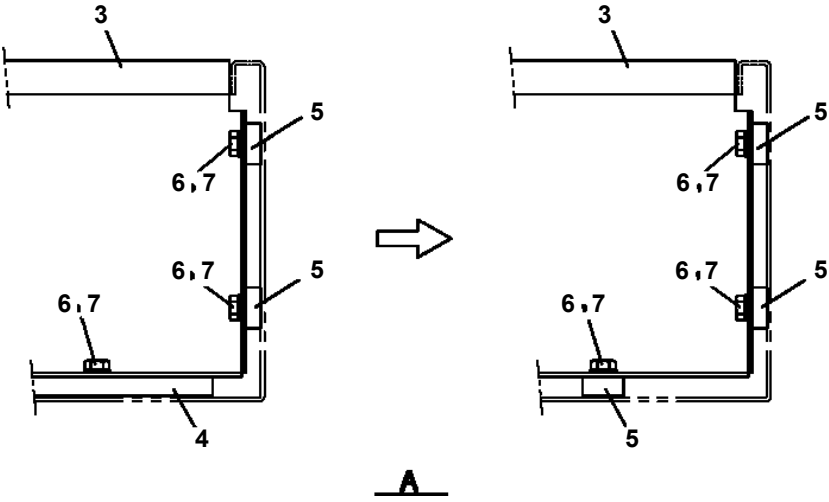
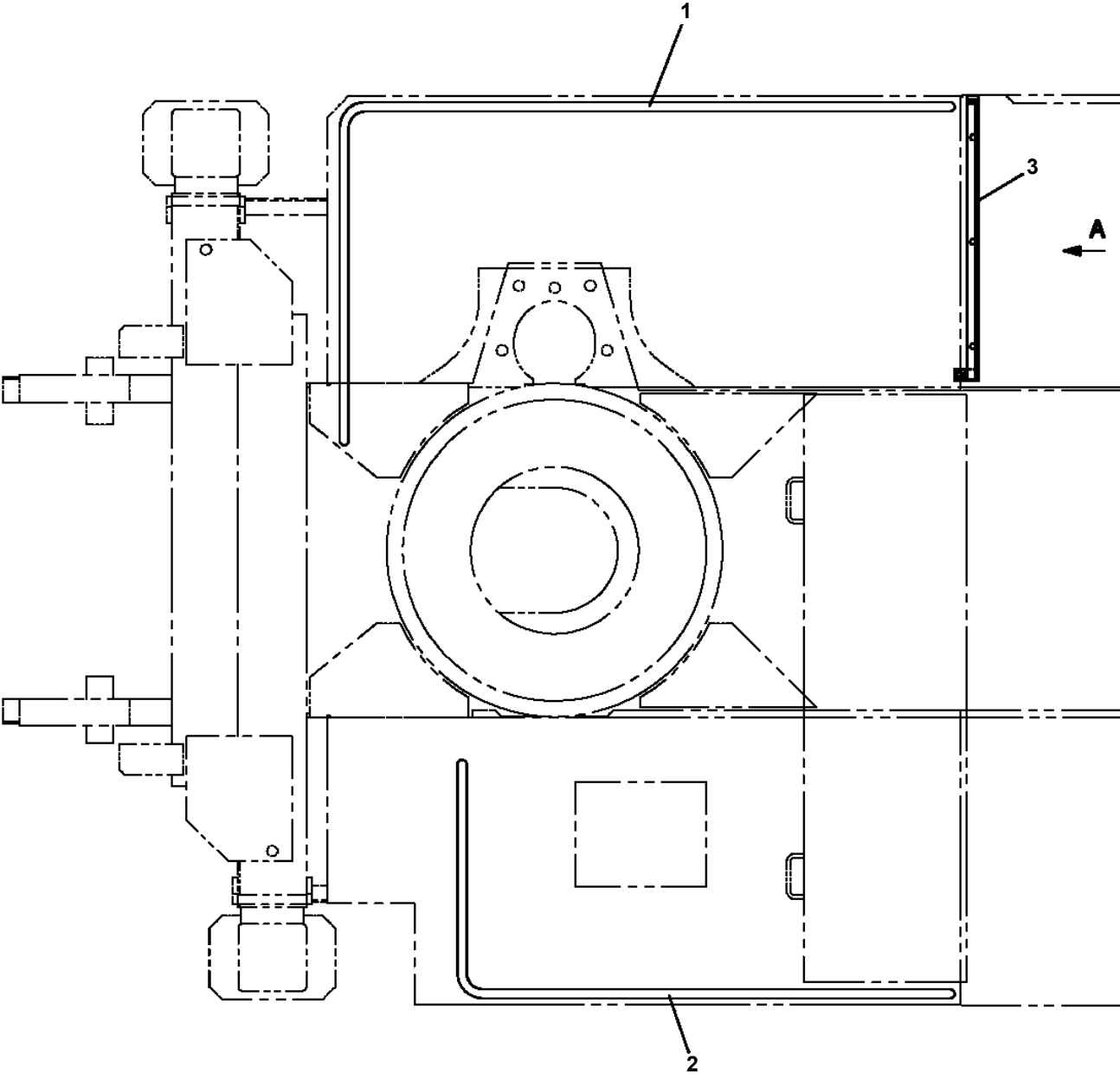
**DT-700-1-20700 LOWER, MITSUBISHI P-FK417F
PV5040006-00 VALVE ASSY, CHECK**




**DT-700-1-20700 LOWER, MITSUBISHI P-FK417F
PX1100102-01 TANK SUPPORT INSTALLATION**

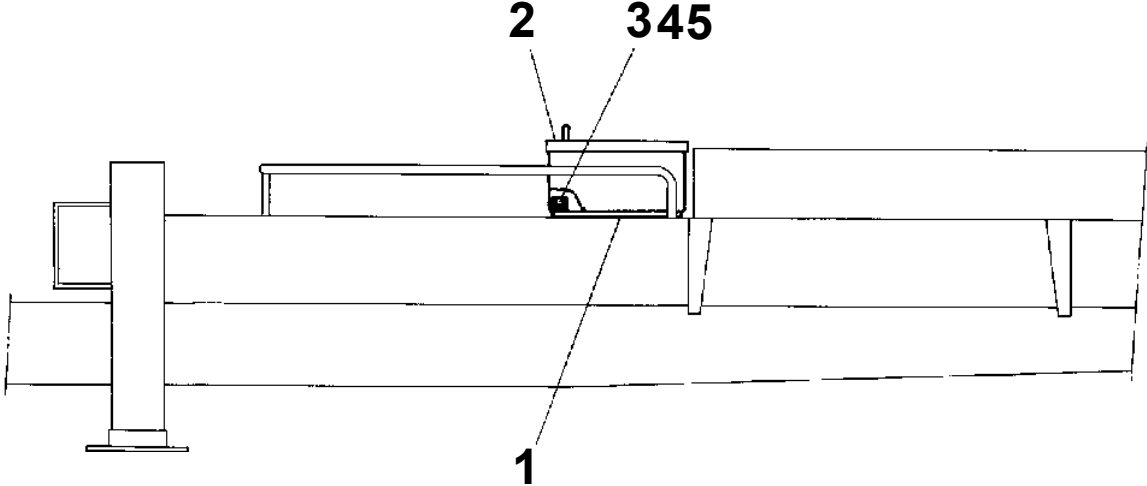


**DT-700-1-20700 LOWER, MITSUBISHI P-FK417F
PX1200430-01 GUARD, SIDE (FENDER)**

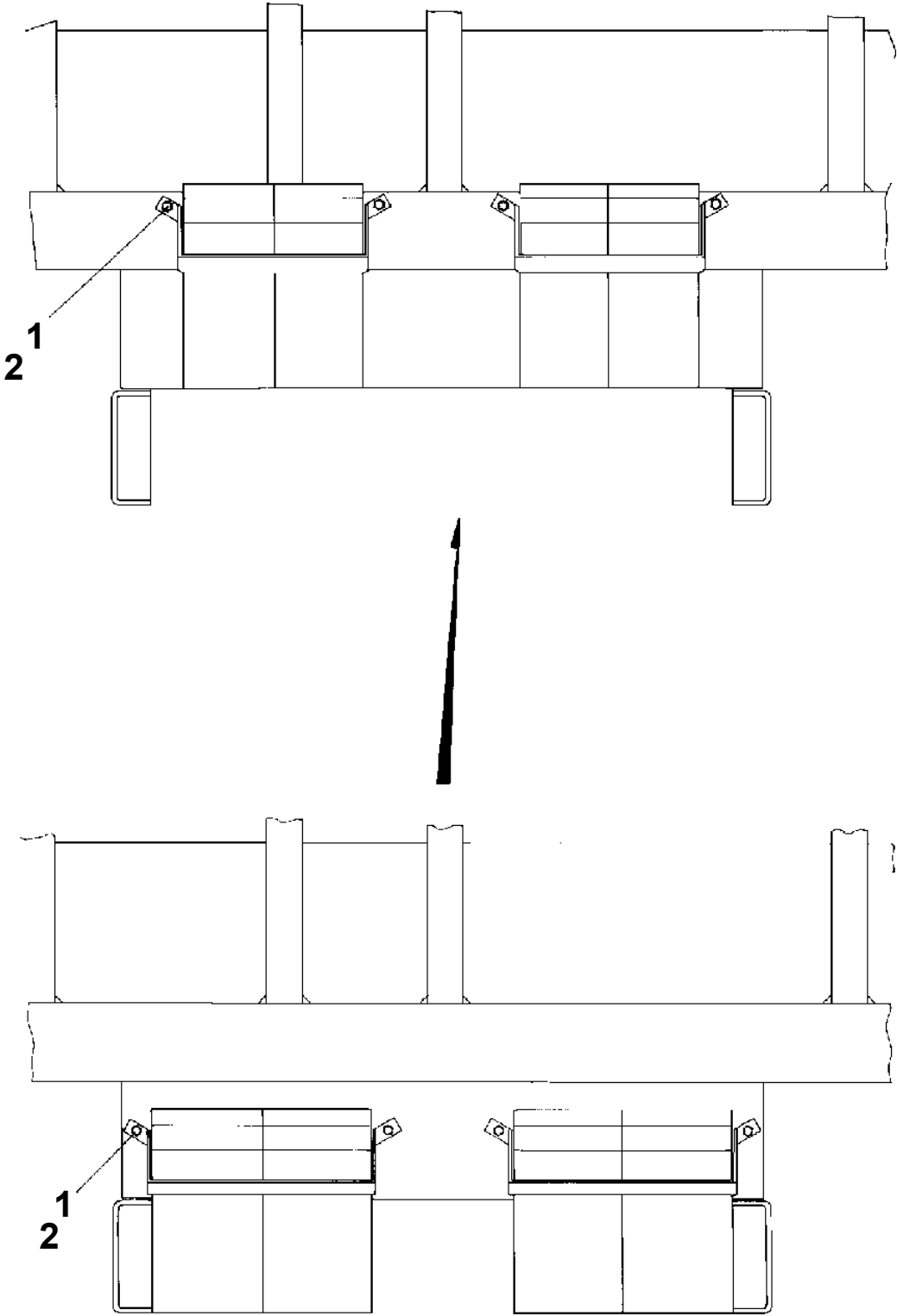


**DT-700-1-20700 LOWER, MITSUBISHI P-FK417F
PX1350024-00 TOOL BOX INSTALLATION**

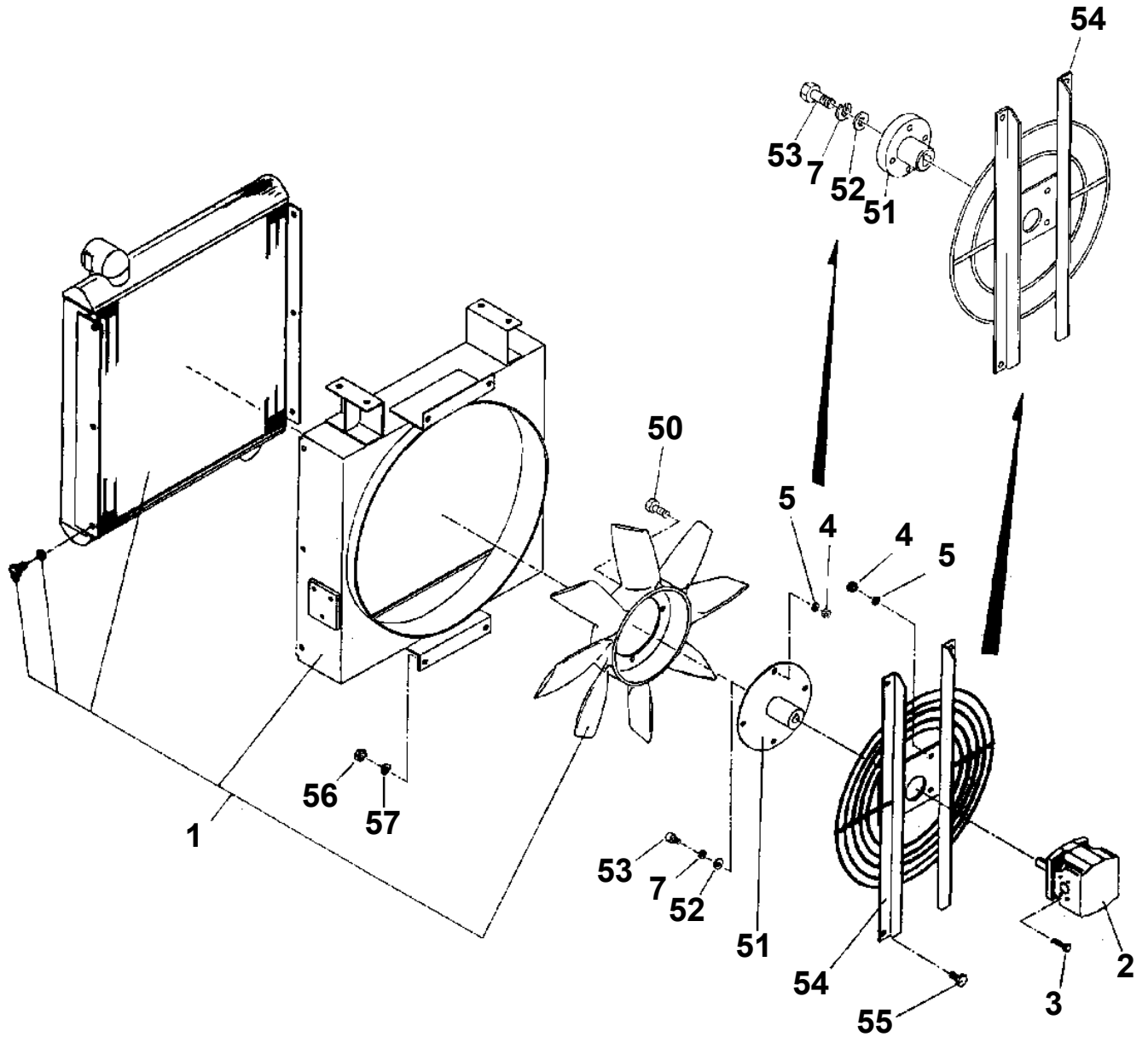
FRONT  _____



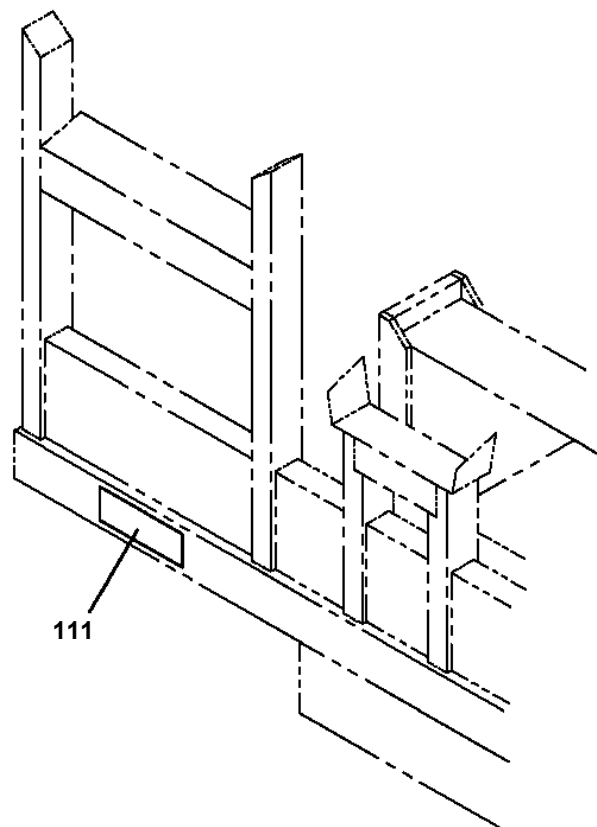
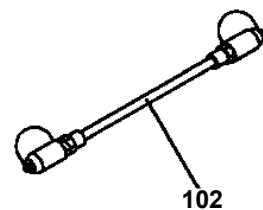
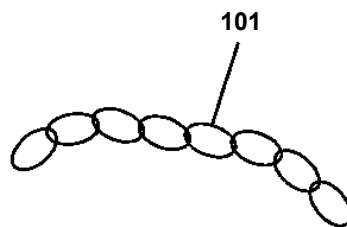
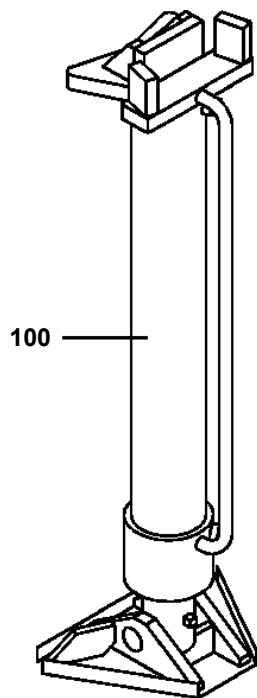
**DT-700-1-20700 LOWER, MITSUBISHI P-FK417F
PX1540003-00 WEDGE INSTALLATION**



DT-700-1-20700 LOWER, MITSUBISHI P-FK417F
PY1300002-04 COOLER, OIL (MOUNT)




DT-700-1-20700 LOWER, MITSUBISHI P-FK417F
 PY1600001-06 CYLINDER, POLE PULLER (STOWING AT LEFT FRONT)



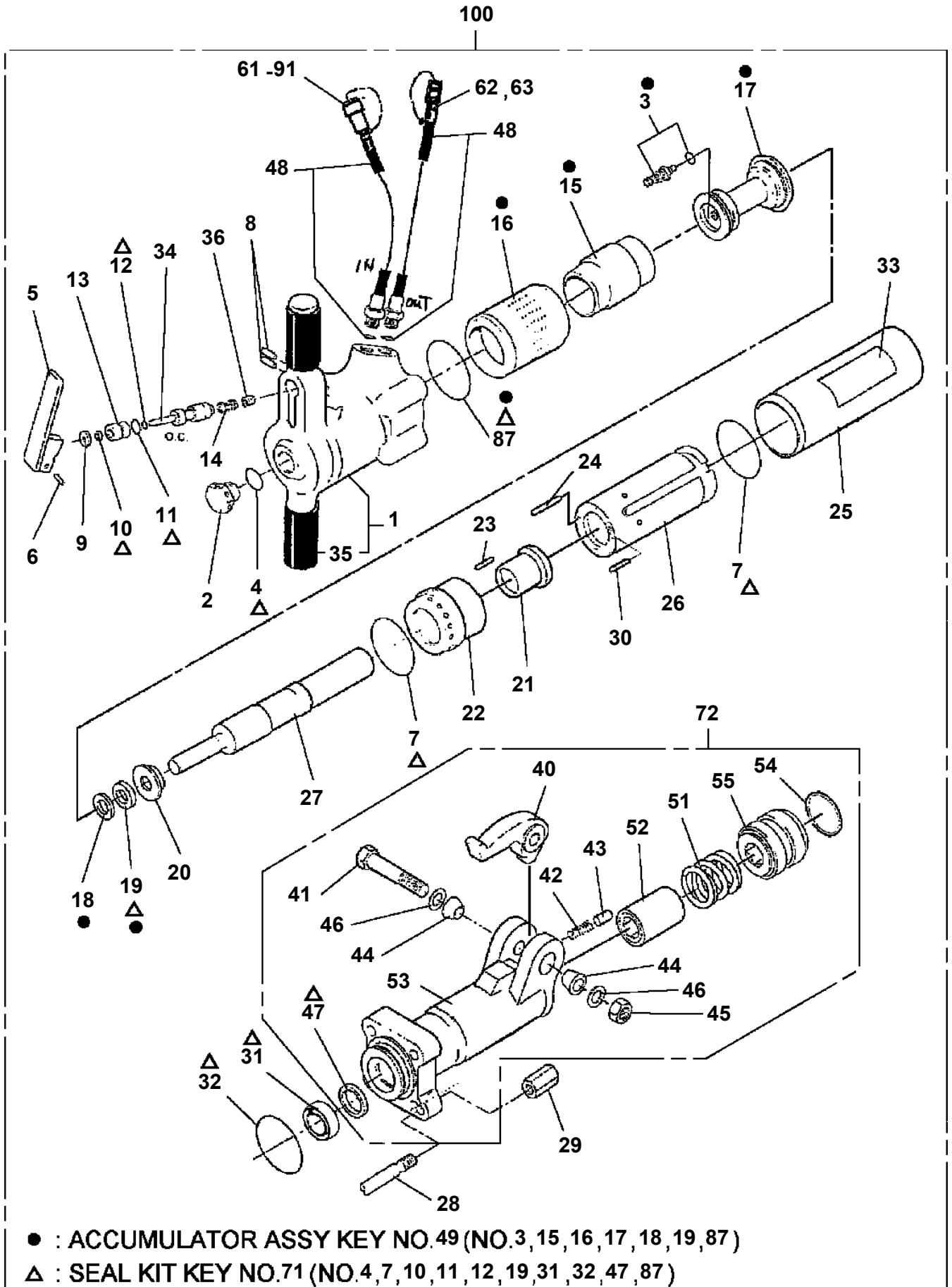
111

抜柱機取扱い方法

1. 抜柱機を電機に接続し、チェーンをゆるいように
2. 電機に接続してください。
2. 抜柱機を取扱う場合は、必ず電源を切ってください。
3. ホース端、抜柱機と地反出口に接続してください。
4. レバーをゆっくり操作し、抜柱機を操作してください。



**DT-700-1-20700 LOWER, MITSUBISHI P-FK417F
PY1840003-03 BREAKER (BR67)**



CLICK HERE TO **DOWNLOAD** THE COMPLETE MANUAL

- Thank you very much for reading the preview of the manual.
- You can download the complete manual from: www.heydownloads.com by clicking the link below



- Please note: If there is no response to CLICKING the link, please download this PDF first and then click on it.

CLICK HERE TO **DOWNLOAD** THE COMPLETE MANUAL