

DT-650-1-20100 LOWER,MITSUBISHI U-FE337BHZ
PX1000315-00 MOUNTING PARTS
ASSEMBLY

CLICK HERE TO **DOWNLOAD** THE COMPLETE MANUAL

- Thank you very much for reading the preview of the manual.
- You can download the complete manual from: www.heydownloads.com by clicking the link below

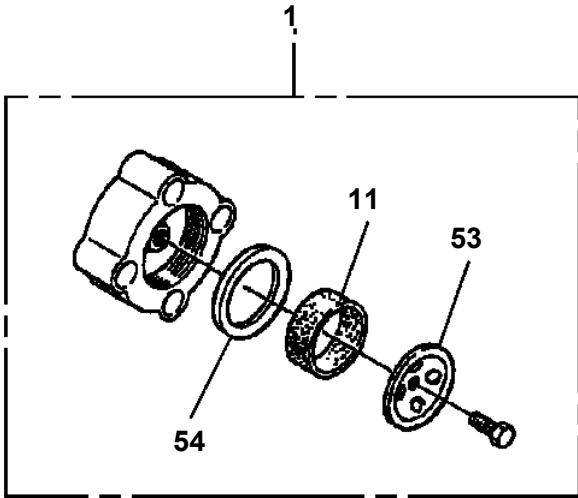
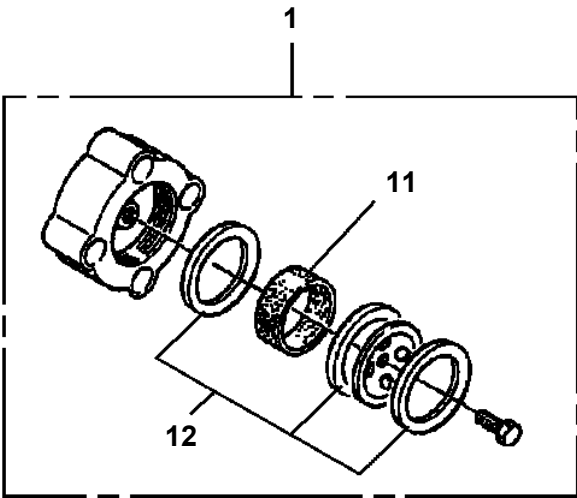
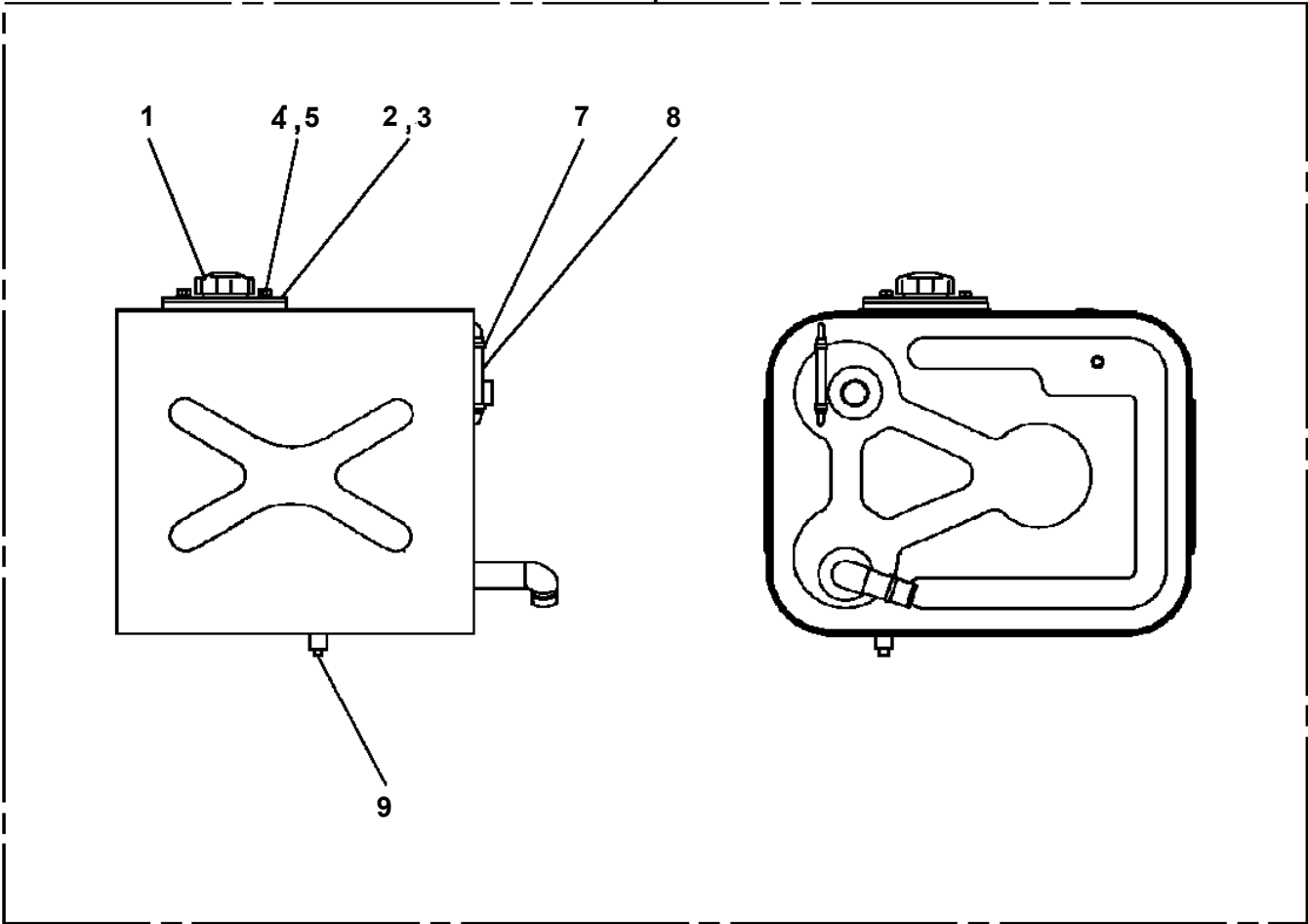


- Please note: If there is no response to CLICKING the link, please download this PDF first and then click on it.

CLICK HERE TO **DOWNLOAD** THE COMPLETE MANUAL

DT-650-1-20100 LOWER, MITSUBISHI U-FE337BHZ
PB1130110-01 TANK, OIL

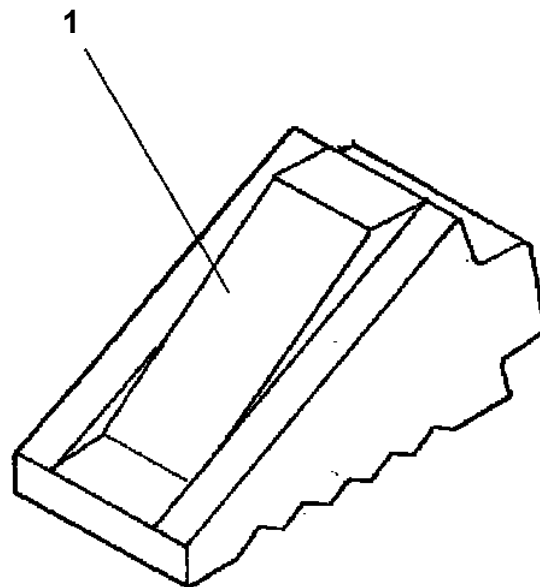
100



DT-650-1-20100 LOWER,MITSUBISHI U-FE337BHZ

Pos No.	Parts No	Parts Name	Qty	Unit	Technical Data	Serial No (Start)	Serial No (End)	Remarks	Page
1	42710500150	SUPPORT	1						
2	90302040601	WASHER,SPRING	7		6				
3	90101208020	BOLT	6		M8X20				
4	90302040801	WASHER,SPRING	4		8				
5	42710150200	PIN	1						
6	90303070601	WASHER,PLAIN	3		6				
7	80136320012	PIN,SPLIT	3		2X12				
8	82100002014	CLAMP	1		WR20				
9	42710500050	SUPPORT	1						
10	90101210020	BOLT	1		M10X20				
11	90201201000	NUT	1		M10				
12	80172303008	SCREW,MACHINE	12		M3X8				
13	90302040301	WASHER,SPRING	12		3				
14	80192484008	SCREW,MACHINE	4		M4X8				
15	42710150300	COVER	1						
16	32701121000	SOLENOID ASSY	1						
17	42710010280	LINK	1						
18	37000112850	PIN	3						
19	90303070401	WASHER,PLAIN	3		4				
20	80136316010	PIN,SPLIT	3		1.6X10				
21	90190208030	BOLT	1		M8X30				
22	90201200800	NUT	8		M8				
23	80182306010	SCREW,MACHINE	4		M6X10				
24	82100002011	CLAMP	1		WRC15				
25	32701120010	END	1						
26	37000105720	PIN	2						
27	42710150350	CASE	1						
28	90201200300	NUT	4		M3				
29	90302041001	WASHER,SPRING	1		10				
30	42710150250	PLATE	1						
31	37001702080	CABLE,CONTROL	1		L=1500				
32	37001702070	CABLE,CONTROL	1		L=1320				
33	32731250030	SUPPORT	1						
34	82100001736	SLEEVE	2						
35	37000520610	PLATE	1						
36	90101506014	BOLT	2		M6X14				
37	42710470100	LEVER	1						
38	90201200600	NUT	1		M6				
39	90101206010	BOLT	1		M6X1.0				
40	82100002051	CLAMP	1		WS-A55				
41	91800000002	FASTENER	1						
42	82100002005	CLAMP	1		WRC8				
43	82100001801	TUBE,CORRUGATE	1	M	7	275220			
65	82100001666	SOLENOID	2		24V				
68	82100000266	DIODE	2						

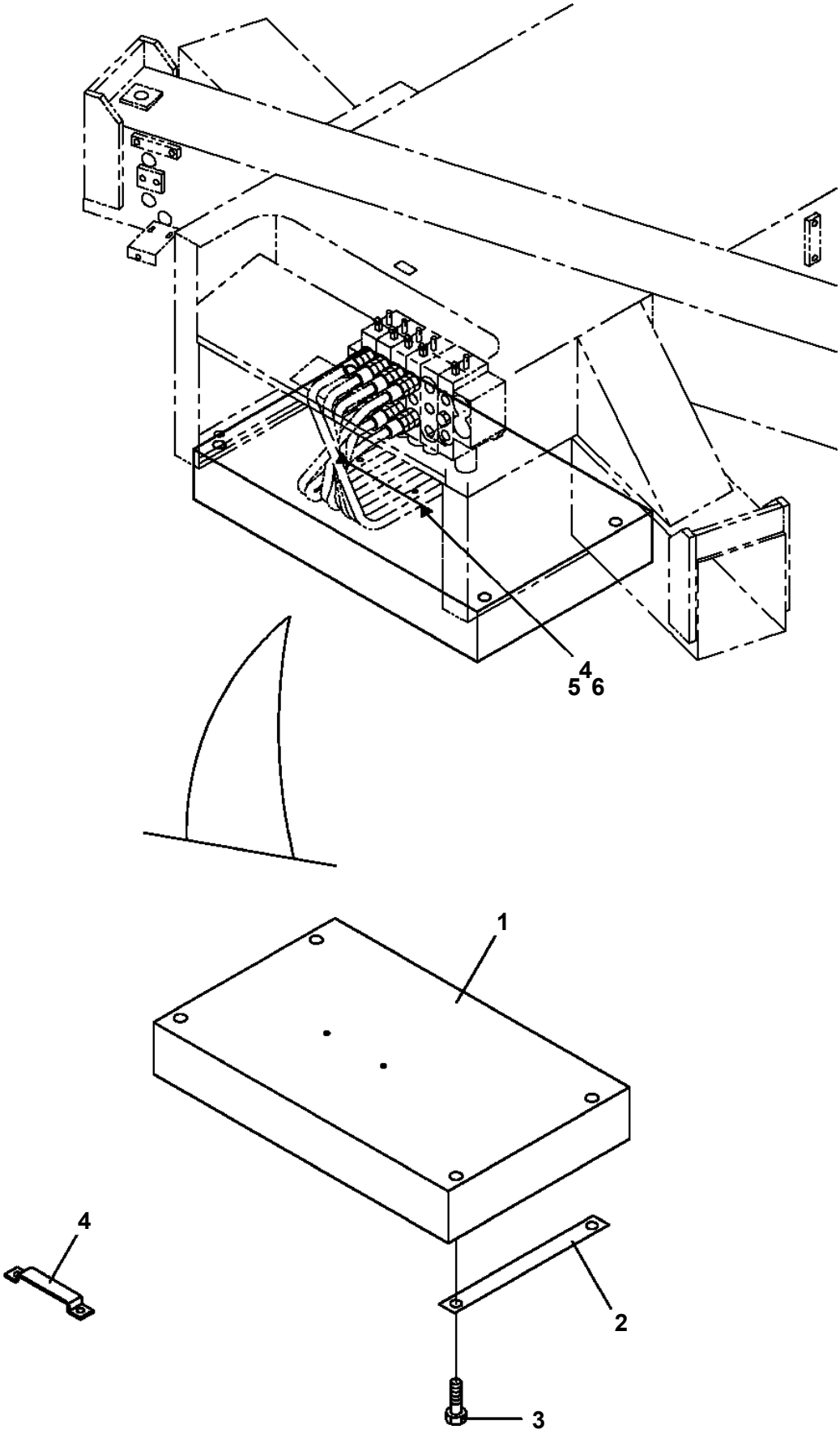
**DT-650-1-20100 LOWER,MITSUBISHI U-FE337BHZ
PS5380006-00 STOPPER**



DT-650-1-20100 LOWER,MITSUBISHI U-FE337BHZ

Pos No.	Parts No	Parts Name	Qty	Unit	Technical Data	Serial No (Start)	Serial No (End)	Remarks	Pages
1	36101420000	TANK,OIL	1						000006
2	32810110020	BAND	2						
3	90201201000	NUT	4		M10				
4	32812400010	SUPPORT	1						
5	90101512025	BOLT	4		M12X25		275426		
	90171112035	BOLT	4		M12X35	275427			
6	90302041201	WASHER,SPRING	4		12				

**DT-650-1-20100 LOWER, MITSUBISHI U-FE337BHZ
PX1290182-00 WEIGHT INSTALLATION**



DT-650-1-20100 LOWER,MITSUBISHI U-FE337BHZ

Pos No.	Parts No	Parts Name	Qty	Unit	Technical Data	Serial No (Start)	Serial No (End)	Remarks	Pages
1	37001601500	NUT	2		M14,B=38				

CLICK HERE TO **DOWNLOAD** THE COMPLETE MANUAL

- Thank you very much for reading the preview of the manual.
- You can download the complete manual from: www.heydownloads.com by clicking the link below



- Please note: If there is no response to CLICKING the link, please download this PDF first and then click on it.

CLICK HERE TO **DOWNLOAD** THE COMPLETE MANUAL