

**DT-600-2-40200 LOWER,ISUZU P-NKR58E2N**

**PX1000625-01 MOUNTING PARTS**

**ASSEMBLY**

CLICK HERE TO **DOWNLOAD** THE COMPLETE MANUAL

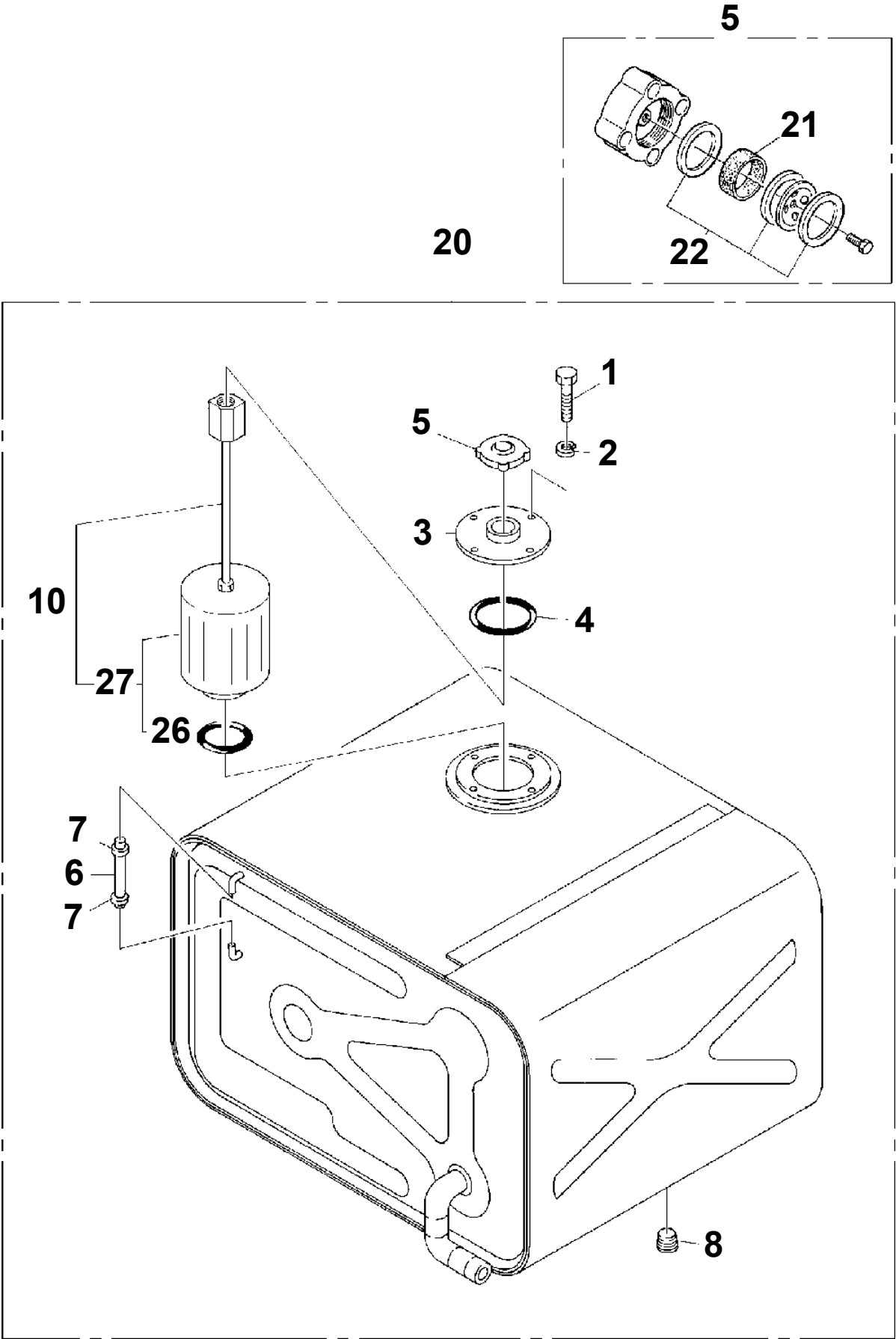
- Thank you very much for reading the preview of the manual.
- You can download the complete manual from: [www.heydownloads.com](http://www.heydownloads.com) by clicking the link below



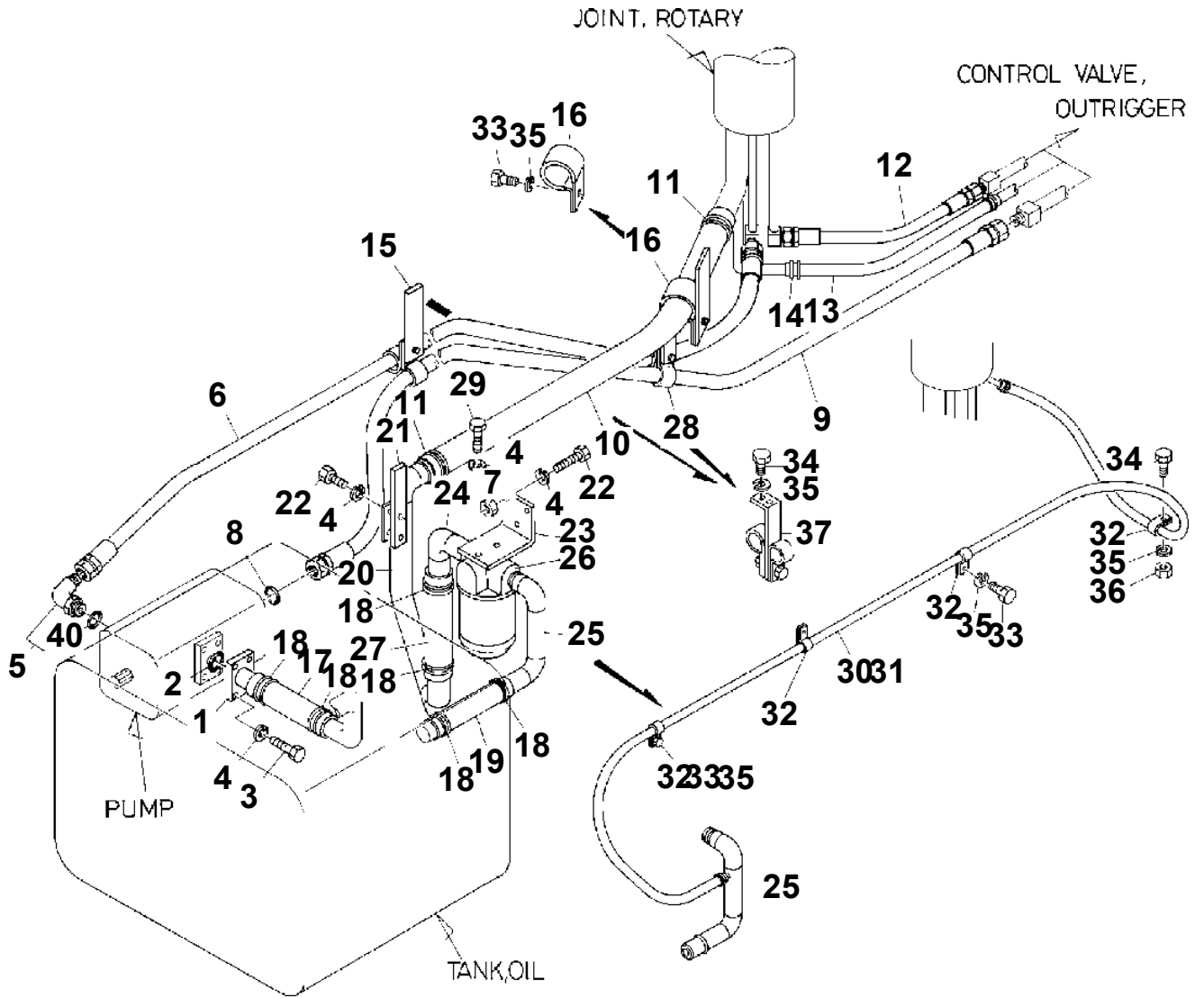
- Please note: If there is no response to CLICKING the link, please download this PDF first and then click on it.

CLICK HERE TO **DOWNLOAD** THE COMPLETE MANUAL

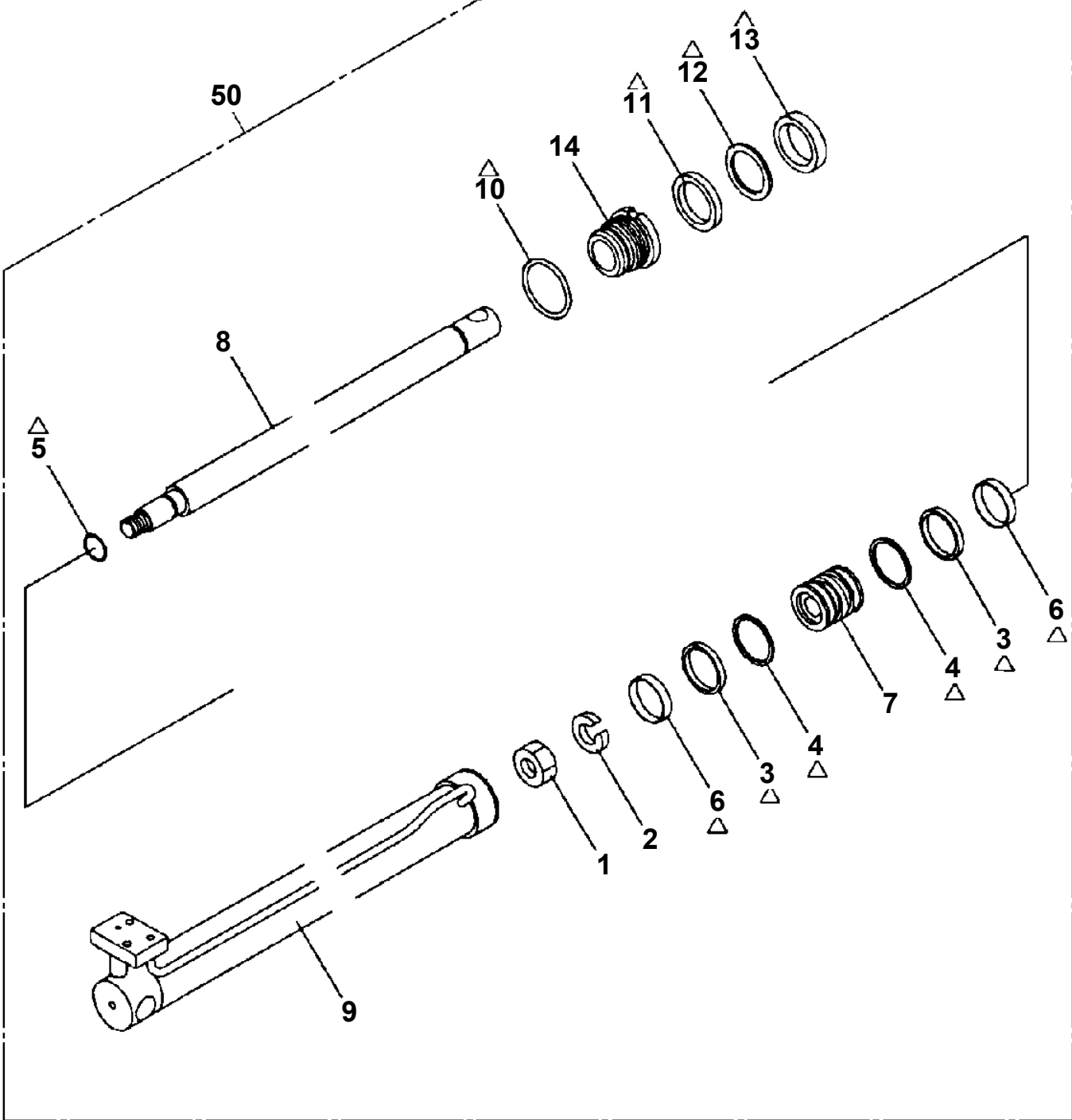
**DT-600-2-40200 LOWER,ISUZU P-NKR58E2N  
PB1130009-02 TANK,OIL**



**DT-600-2-40200 LOWER,ISUZU P-NKR58E2N  
PB1410048-01 PIPING,HYDRAULIC LOWER**

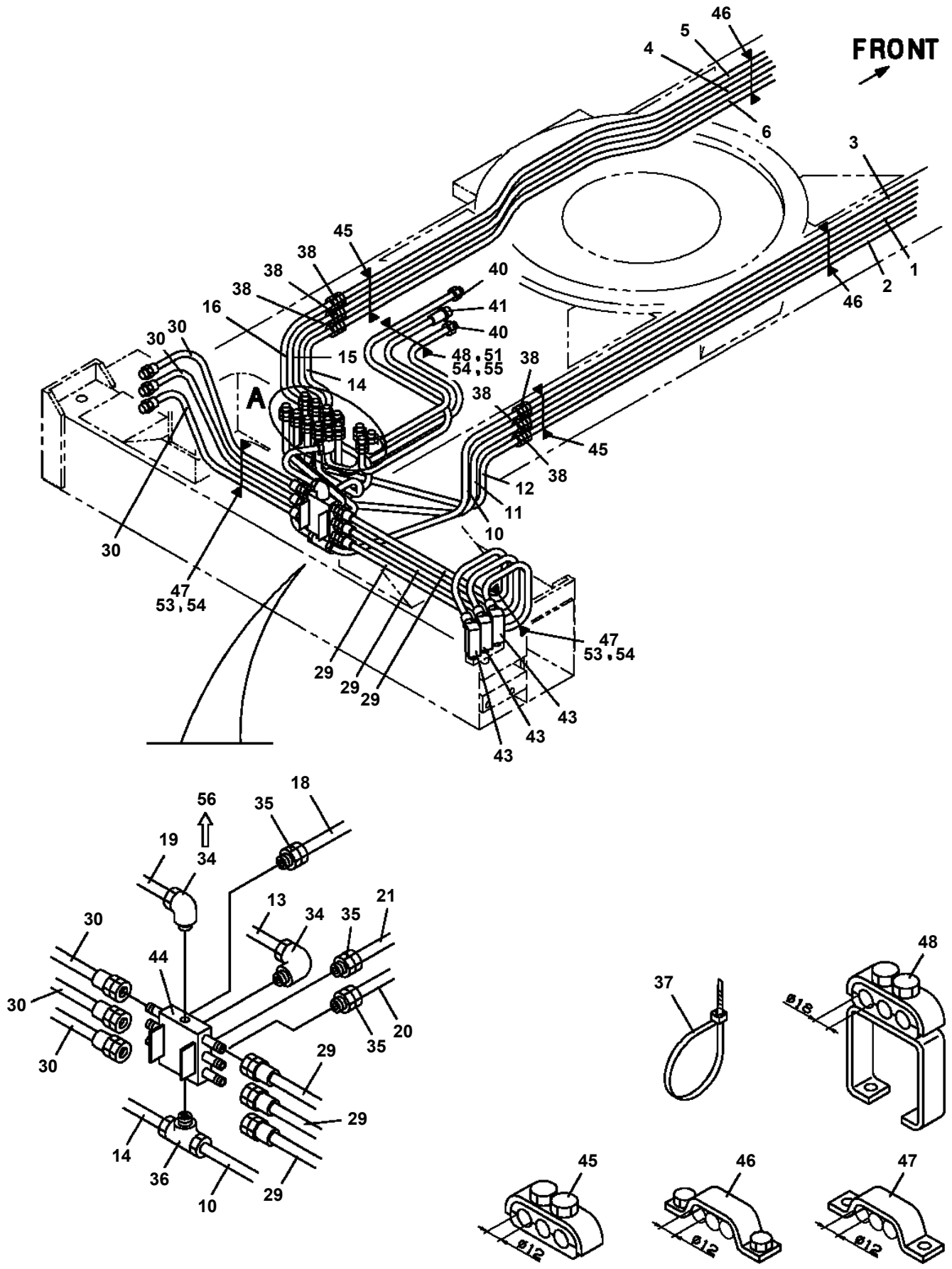


DT-600-2-40200 LOWER,ISUZU P-NKR58E2N  
PC1030212-02 CYLINDER,JACK



Δ: PACKING SET KEY NO100 (KEY NO.3,4,5,6,10,11,12,13)

**DT-600-2-40200 LOWER,ISUZU P-NKR58E2N  
PC1200271-01 PIPING,OUTRIGGER**



# DT-600-2-40200 LOWER,ISUZU P-NKR58E2N

Pos No.	Parts No	Parts Name	Qty	Unit	Technical Data	Serial No (Start)	Serial No (End)	Remarks	Pages
100	42505000010	HARNESS	1						

**DT-600-2-40200 LOWER,ISUZU P-NKR58E2N**

Pos No.	Parts No	Parts Name	Qty	Unit	Technical Data	Serial No (Start)	Serial No (End)	Remarks	Pa
1	36620250060	PLUG	1						
2	91002801400	O-RING	2		1B P14				
3	12515186000	SPRING	1						
6	91002801000	O-RING	2		1B P10				
7	36622941100	PISTON	1						
8	91002800700	O-RING	1		1B P7				
9	36620030050	PLUG	1						
10	80400160127	JOINT	2						
11	91002801100	O-RING	2		1B P11				
12	37001201120	SPRING	1						
20	36622940000	VALVE,PILOT CHECK	1						

# DT-600-2-40200 LOWER,ISUZU P-NKR58E2N

Pos No.	Parts No	Parts Name	Qty	Unit	Technical Data	Serial No (Start)	Serial No (End)	Remarks	Pages
1	32700720010	LINK ASSY	1						
2	32700720020	ROD	1						
3	90101208020	BOLT	2		M8X20				
4	58197004000	CABLE,CONTROL	1						
5	56240410000	CABLE,CONTROL	1						
6	32700450010	END	2						
7	90101206012	BOLT	3		M6X12		275103		
	90101206012	BOLT	4		M6X12	275104			
8	37000531640	PLATE	1						
9	90303070801	WASHER,PLAIN	4		8				
10	90101206016	BOLT	4		M6X16				
11	90201200600	NUT	4		M6				
12	90302040601	WASHER,SPRING	5		6		275103		
	90302040601	WASHER,SPRING	6		6	275104			
13	90303070601	WASHER,PLAIN	4		6				
14	82100002037	CLAMP	3		WE10				
15	82100002006	CLAMP	1		WR10		275103		
	82100002006	CLAMP	2		WR10	275104			
16	37000701990	CLAMP ASSY	1		D=10		275103		
17	37000115480	PIN	1						
18	32700190030	PLATE	1						
19	90201200800	NUT	4		M8				
20	31320020071	ADJUSTER	1						
21	16314010000	SPRING	1						
22	32700720030	PLATE	1						
23	37000105720	PIN	1						
24	80136320016	PIN,SPLIT	3		2X16				
25	90302040801	WASHER,SPRING	2		8				
26	37000701970	CLAMP ASSY	1						
27	32700212040	END	1						
28	90101208014	BOLT	1		M8X14				
29	82100001411	TUBE,SPIRAL	1	M	SE-08BK				
41	32700682010	LEVER	1						
42	37000107220	PIN	1						
43	32700722000	SUPPORT	1						
44	90303071201	WASHER,PLAIN	2		12				
45	80136332020	PIN,SPLIT	2		3.2X20				
46	53642010000	BOLT	1		M8X35				
47	90201200800	NUT	1		M8				
63	37000400510	BEARING,PLAIN	2						

CLICK HERE TO **DOWNLOAD** THE COMPLETE MANUAL

- Thank you very much for reading the preview of the manual.
- You can download the complete manual from: [www.heydownloads.com](http://www.heydownloads.com) by clicking the link below



- Please note: If there is no response to CLICKING the link, please download this PDF first and then click on it.

CLICK HERE TO **DOWNLOAD** THE COMPLETE MANUAL

**DT-600-2-40200 LOWER,ISUZU P-NKR58E2N**

Pos No.	Parts No	Parts Name	Qty	Unit	Technical Data	Serial No (Start)	Serial No (End)	Remarks	Page
2	36160017530	WASHER,SPRING	1				275556		
3	36160017540	WASHER,PLAIN	1				275556		
4	36160017520	DRUM ASSY	1				275556		
5	36160017550	HANDLE	1						
6	36160655020	SHAFT	1						
7	36160017560	WASHER,PLAIN	1						
8	36160017570	PLATE (RING)	1				275556		
9	36160025010	CORD ASSY (MAIN)	1						
10	36160025020	CLIP	1						
11	36160025030	COVER (CLIP)	1						
13	36160017590	PLATE (CONTACT)	1						
50	36160020000	REEL,CORD	1						

**DT-600-2-40200 LOWER,ISUZU P-NKR58E2N**

Pos No.	Parts No	Parts Name	Qty	Unit	Technical Data	Serial No (Start)	Serial No (End)	Remark
2	37004100030	PUMP,GREASE (240CC)	1				275293	
	37004100040	PUMP,GREASE (DOMESTIC)	1			275294		
3	32460020010	STOPPER	2				275151	
	32460050020	STOPPER	2			275152		
11	90101206010	BOLT	4		M6X1.0			
12	90302040601	WASHER,SPRING	4		6			

# DT-600-2-40200 LOWER,ISUZU P-NKR58E2N

Pos No.	Parts No	Parts Name	Qty	Unit	Technical Data	Serial No (Start)	Serial No (End)	Remarks	Pages
1	32810490010	SUPPORT	4						
2	37000507930	PLATE	8						
3	37000519980	BAR	1						
4	32810150020	PLATE	2						
5	32810150030	PLATE	2						
6	37000534840	PLATE	2						
7	90101516190	BOLT	2		M16X190				
8	90201201600	NUT	2		M16				
9	32811600020	SUPPORT	2						
10	32811600010	SUPPORT	2						

# DT-600-2-40200 LOWER,ISUZU P-NKR58E2N

Pos No.	Parts No	Parts Name	Qty	Unit	Technical Data	Serial No (Start)	Serial No (End)	Remarks	Pages
1	32811420010	WEIGHT	1						
2	37000520600	PLATE	2						
3	90101512075	BOLT	4		M12X75				

# DT-600-2-40200 LOWER,ISUZU P-NKR58E2N

Pos No.	Parts No	Parts Name	Qty	Unit	Technical Data	Serial No (Start)	Serial No (End)	Remarks	Pages
1	32810520010	SUPPORT	1						
2	37001601240	NUT	2				275189		
	37001601660	NUT	2		M14/B=41	275190			

# DT-600-2-40200 LOWER,ISUZU P-NKR58E2N

Pos No.	Parts No	Parts Name	Qty	Unit	Technical Data	Serial No (Start)	Serial No (End)	Remarks	Pages
1	32730480010	SUPPORT	1						
2	37000127930	PIN	1						
3	37000200100	PIN,SNAP	1						
4	32730142030	CUSHION	1						
5	90190000031	BOLT	2		M10X50				
6	90261001000	U-NUT	2		M10				

**DT-600-2-40200 LOWER,ISUZU P-NKR58E2N**

Pos No.	Parts No	Parts Name	Qty	Unit	Technical Data	Serial No (Start)	Serial No (End)	Remarks
51	80456010610	JOINT,SELF SEALING	1					
52	90000000110	RING (NISSA NO.4)	2					
53	37002409430	HOSE	1		L=6000			
54	80456020610	JOINT,SELF SEALING	1					
61	32730032000	PLATE,CAUTION	1					
71	42340017550	CAP (DUST)	1					
81	91071011500	O-RING	1		Y22550-115-A			
100	36050190000	CYLINDER,POLE PULLER	1					
101	32730030010	CHAIN	1					

# DT-600-2-40200 LOWER,ISUZU P-NKR58E2N

Pos No.	Parts No	Parts Name	Qty	Unit	Technical Data	Serial No (Start)	Serial No (End)	Re
1	32730307530	HANDLE	1					
2	32730297570	GRIP (HANDLE)	2					
3	32730297560	CAP (VALVE)	1					
4	32730297510	VALVE (CHARGING)	1					
5	32730297520	TRIGGER	1					
6	32730297530	PIN,SPRING	2					
7	32730297700	SPRING	1					
8	32730297620	SPOOL	1					
9	32730297680	BUSHING	1					
10	32730297690	O-RING	1					
11	32730297670	O-RING	1					
12	32730297660	ROD (WIPER)	1					
13	32730297640	ROD (SIDE)	4					
14	32730297650	NUT,LOCK	4					
15	32730307540	BLOCK,VALVE (ACCUMULATOR)	1					
16	32730297710	DIAPHRAGM	1					
17	32730297740	O-RING	2					
18	32730297770	RING,BACKUP	2					
19	32730297730	BLOCK	1					
20	32730297760	PIN,ROLL	2					
21	32730307550	BODY,VALVE	1					
22	32730297790	VALVE,AUTOMATIC	1					
23	32730297780	PIN (BUSH)	2					
24	32730297810	PIN (BUSH)	4					
25	32730307560	PISTON	1					
26	32730307570	SLEEVE,FLOW	1					
27	32730307580	TUBE (FLOW SLEEVE)	1					
28	32730297550	ROD (WIPER)	1					
29	32730307600	WASHER	1					
30	32730297850	SEAL,CUP	1					
31	32730297840	O-RING	1					
32	32730307610	FOOT,BREAKER	1					
33	32730297900	LATCH	1					
34	32730297880	SPRING	1					
35	32730297890	DETENT	1					
36	32730297910	BOLT (LATCH)	1					
37	32730297930	WASHER,SPRING	2					
38	32730297920	WASHER	2					
39	32730307620	BUSHING	1					
40	32730297580	HOSE	2					
41	32730307630	STICKER	1					
42	32730307640	STICKER	1					
51	80456010610	JOINT,SELF SEALING	1					
52	80456020810	JOINT,SELF SEALING	1					
53	80315020080	JOINT,BUSHING	1					
61	32730307660	POINT	1					
71	32730297960	SEAL KIT	1					
72	32730307650	FOOT,BREAKER	1					
81	32730297650	NUT,LOCK	1					
91	91071011500	O-RING	1		Y22550-115-A			
100	32730300000	BREAKER (BR45)	1					

CLICK HERE TO **DOWNLOAD** THE COMPLETE MANUAL

- Thank you very much for reading the preview of the manual.
- You can download the complete manual from: [www.heydownloads.com](http://www.heydownloads.com) by clicking the link below



- Please note: If there is no response to CLICKING the link, please download this PDF first and then click on it.

CLICK HERE TO **DOWNLOAD** THE COMPLETE MANUAL