

# **SL-15-1-00001 SEPARATED FRONT GUARD,WITH WINCH**

**PK1000628-00 FRAME**

**PO1000152-01 INDICATION PLATES**

**PY1001023-00 OPTIONS**

**ASSEMBLY**

CLICK HERE TO **DOWNLOAD** THE COMPLETE MANUAL

- Thank you very much for reading the preview of the manual.
- You can download the complete manual from: [www.heydownloads.com](http://www.heydownloads.com) by clicking the link below



- Please note: If there is no response to CLICKING the link, please download this PDF first and then click on it.

CLICK HERE TO **DOWNLOAD** THE COMPLETE MANUAL

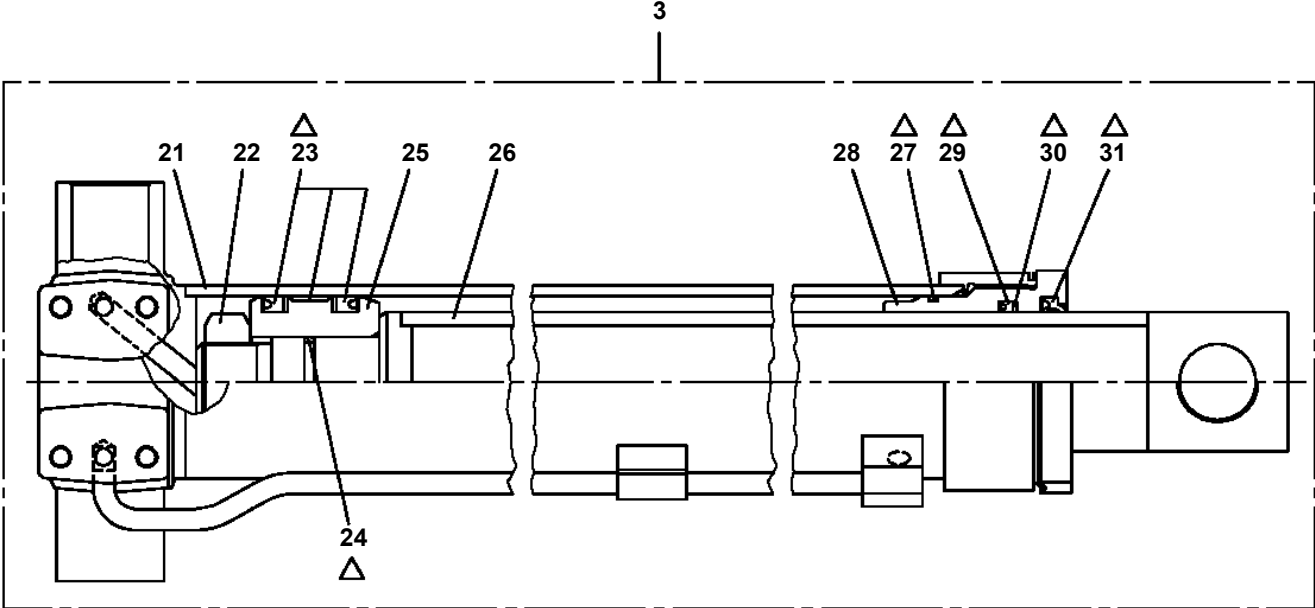
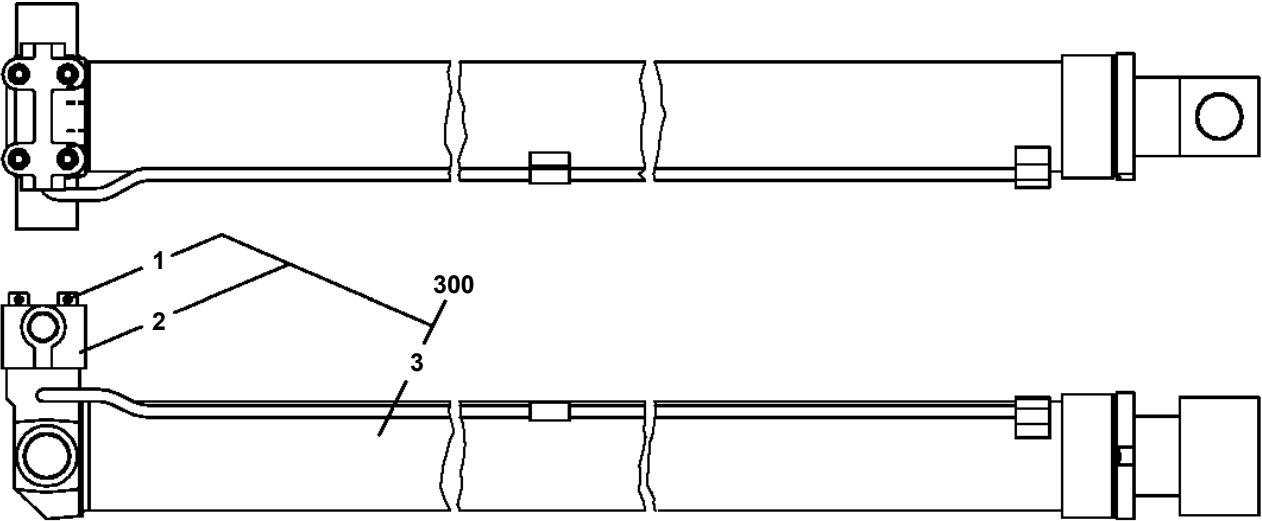
## SL-15-1-00001 SEPARATED FRONT GUARD,WITH WINCH

Pos No.	Parts No	Parts Name	Qty	Unit	Technical Data	Serial No (Start)	Serial No (End)	Rema
4	36102055010	CLAMP ASSY	2					
6	36102055020	HOSE	1					
13	36102055030	PACKING	1				762014	
	36101525100	PACKING	1			762015		
14	36102055040	PLUG	1					
16	36101895020	BREATHER ASSY (OB-10B)	1					
20	36102235010	CAP	1			762015		
21	53156005010	ELEMENT (OB-10T & OB-10B)	1					
22	36101895030	RETAINER ASSY	1					
30	36102050000	TANK,OIL	1					

## SL-15-1-00001 SEPARATED FRONT GUARD,WITH WINCH

Pos No.	Parts No	Parts Name	Qty	Unit	Technical Data	Serial No (Start)	Serial N
64	90302041001	WASHER,SPRING	2		10		
65	80400160190	JOINT (WITH O-RING)	1				
66	91803880070	CLIP	2		D=13.1-16.2		
67	37002508780	HOSE	1				
68	81408000160	PIPE,STEEL	2	M	12X1.4T		
69	81408000160	PIPE,STEEL	2	M	12X1.4T		
70	81408000160	PIPE,STEEL	1	M	12X1.4T		
71	81408000160	PIPE,STEEL	1	M	12X1.4T		
72	37000300750	SLEEVE	3		18-15		
73	37000300720	SLEEVE	2		12-10		
74	80303210060	FITTING,ELBOW	1				
75	80302120060	FITTING	1		POA10PF1/4		
81	36604560000	VALVE,COUNTERBALANCE	1				
82	37000925480	JOINT	1				
83	90172110040	BOLT,HEXAGON SOCKET	2		M10X40		
91	91002801800	O-RING	2		1B P18		
102	36611130000	VALVE,DIVIDING & COMBINING (MURAKAMI)	1				
111	91002801100	O-RING	5		1B P11		
121	91002802900	O-RING	1		1B P29		
131	36672280000	FILTER,OIL (YAMASHIN)	1				
132	36672390000	FILTER,OIL (WAKO)	1				

**SL-15-1-00001 SEPARATED FRONT GUARD,WITH WINCH  
PC1030257-02 OUTRIGGER ASSY**



Δ:PACKING SET KEY NO.41 (KEY NO.23,24,27,29,30,31)

# SL-15-1-00001 SEPARATED FRONT GUARD,WITH WINCH

Pos No.	Parts No	Parts Name	Qty	Unit	Technical Data	Serial No (Start)	Serial No (End)	Remarks	Pages
1	36093995010	SHEAVE ASSY	1						
2	36093995020	STOPPER ASSY	1						
10	36093990000	HOOK (8TON)	1						

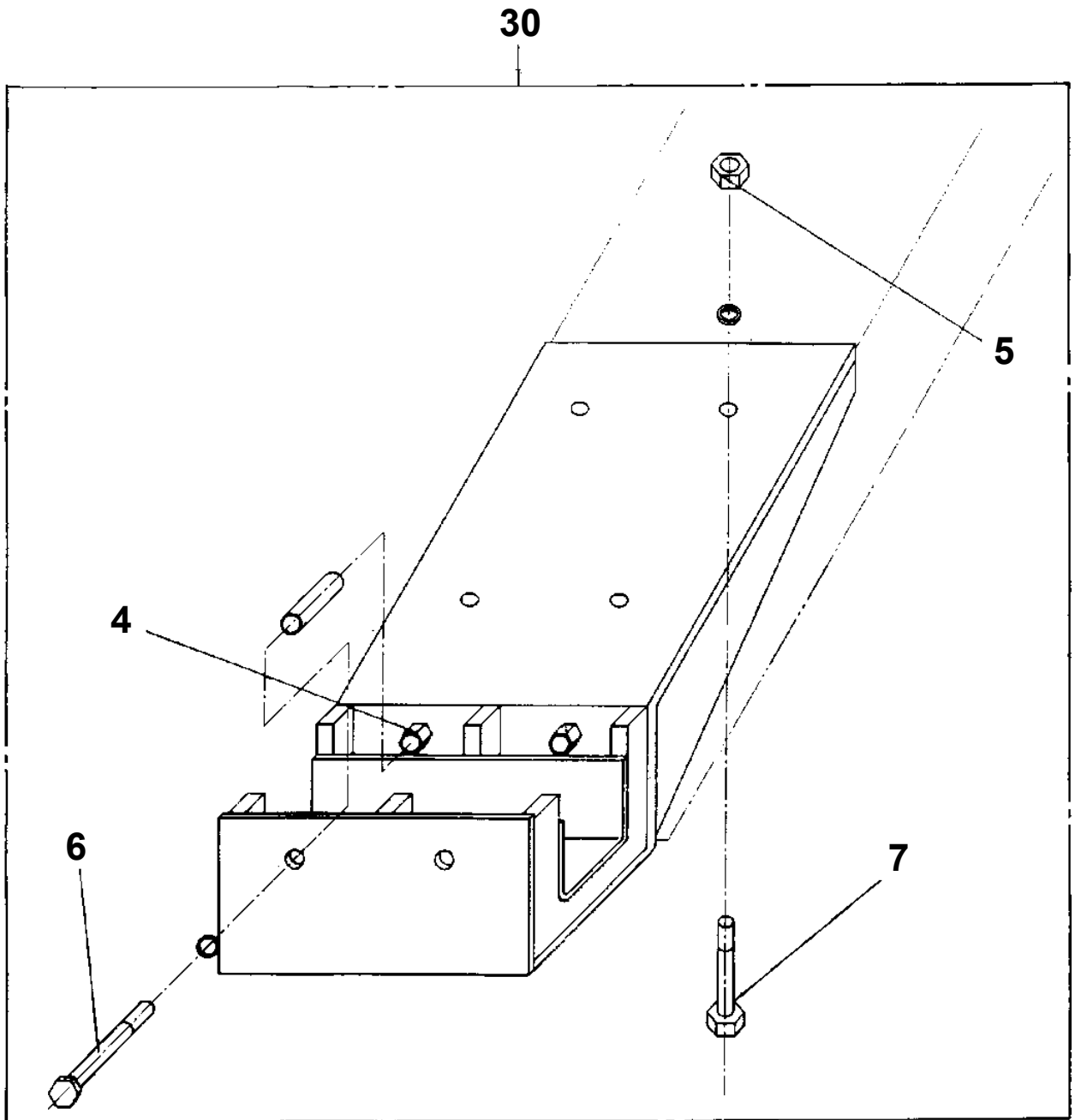
## SL-15-1-00001 SEPARATED FRONT GUARD,WITH WINCH

Pos No.	Parts No	Parts Name	Qty	Unit	Technical Data	Serial No (Start)	Serial No (End)	Remarks	Pa
2	36661485030	KEY	1						
3	91000504100	O-RING	3						
5	91000503800	O-RING	1						
9	36660645140	SEAL	1						
11	36660645130	SEAL	1						
12	36662295010	SEAL,DUST	1						
13	36662295020	SEAL,OIL	1						
16	36662295030	SEAL,SHAFT	1						
19	36662655020	GEAR (VALVE DRIVE)	1						
20	91000501100	O-RING	3						
31	36662655010	SEAL KIT	1						
50	36662650000	MOTOR,HYDRAULIC	1						

# SL-15-1-00001 SEPARATED FRONT GUARD,WITH WINCH

Pos No.	Parts No	Parts Name	Qty	Unit	Technical Data	Serial No (Start)	Serial No (End)	Remarks
1	36672285010	HEAD ASSY	1					
2	36670109511	FILTER,CARTRIDGE	1				764941	
	36672580000	FILTER,CARTRIDGE	1			764942		
10	36672280000	FILTER,OIL (YAMASHIN)	1					

SL-15-1-00001 SEPARATED FRONT GUARD,WITH WINCH  
PK1360017-00 MOUNT,RAMP



SL-15-1-00001 SEPARATED FRONT GUARD,WITH WINCH  
 PK1360374-00 MOUNT,RAMP (APITONG)

指示番号 KEY NO.	マウント,アユミイタ (アピトン) <H150XW300XL2000> MOUNT,RAMP (APITONG) <H150XW300XL2000>
2	オペ .ASSY,ソウサハバルブ OPE.ASSY,CONT.VALVE
3	パイピング,ロー PIPING,LOWER
4	ハイセンASSY ELEC.ASSY
5	プレートASSY,ネーム PLATE ASSY,NAME
6	マウント ASSY MOUNT ASSY
{21	シリンダ,リヤゲート CYLINDER,REAR GATE
{22	リヤゲート REAR GATE

CLICK HERE TO **DOWNLOAD** THE COMPLETE MANUAL

- Thank you very much for reading the preview of the manual.
- You can download the complete manual from: [www.heydownloads.com](http://www.heydownloads.com) by clicking the link below

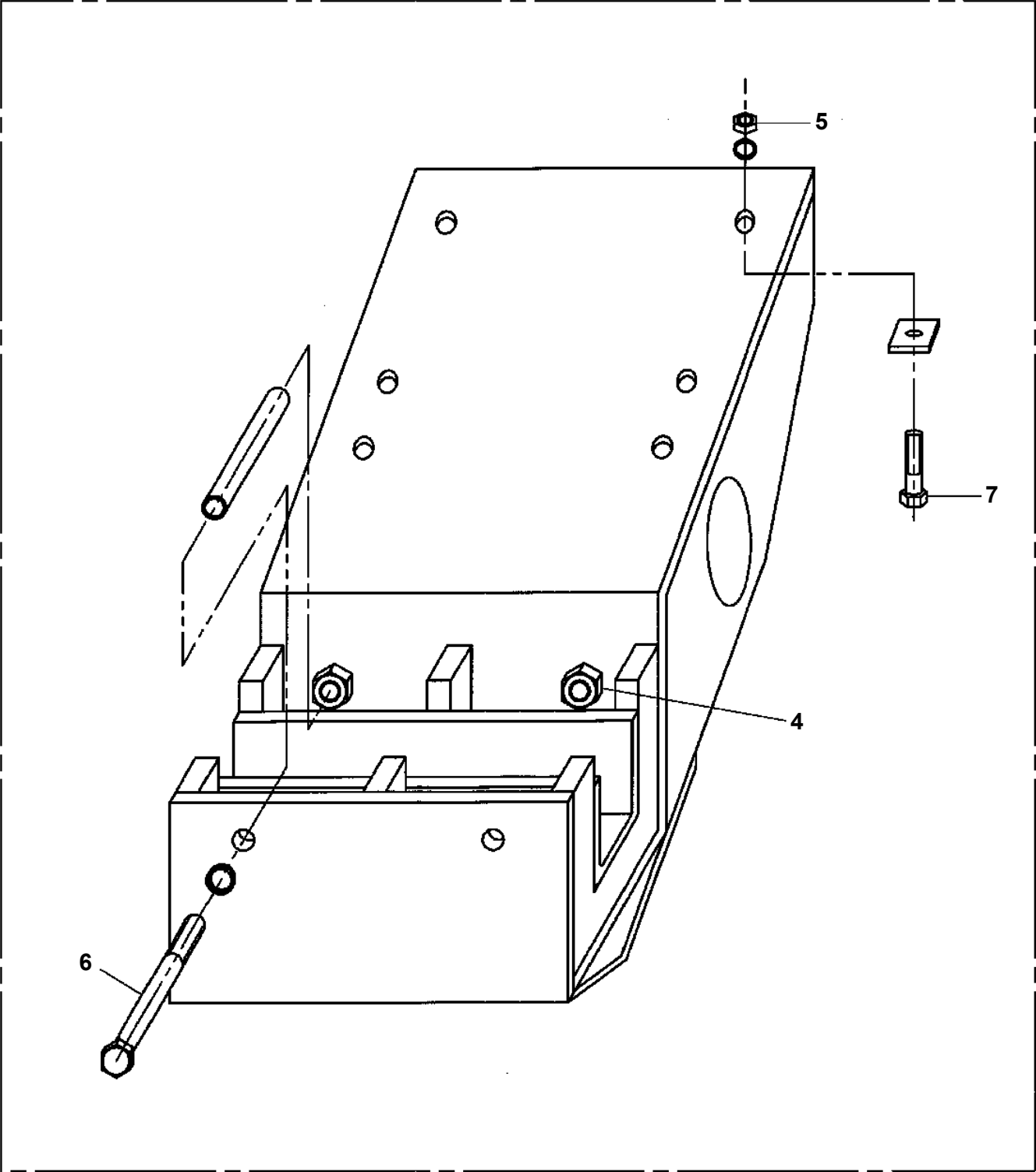


- Please note: If there is no response to CLICKING the link, please download this PDF first and then click on it.

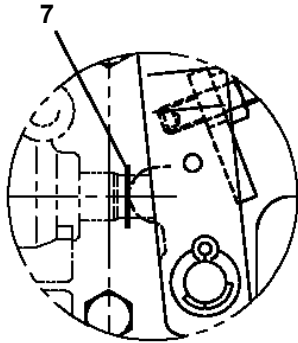
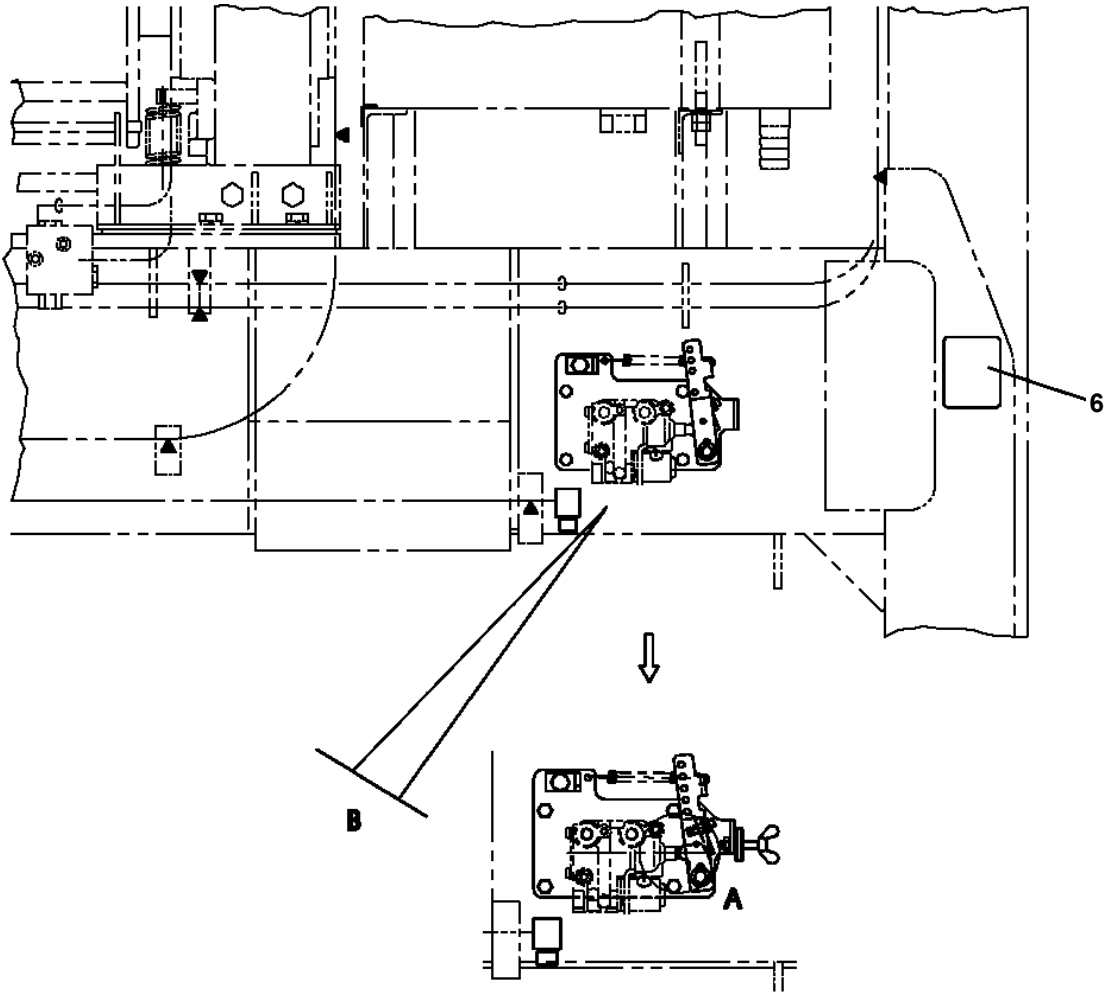
CLICK HERE TO **DOWNLOAD** THE COMPLETE MANUAL

SL-15-1-00001 SEPARATED FRONT GUARD,WITH WINCH  
PK1450074-00 GATE

100

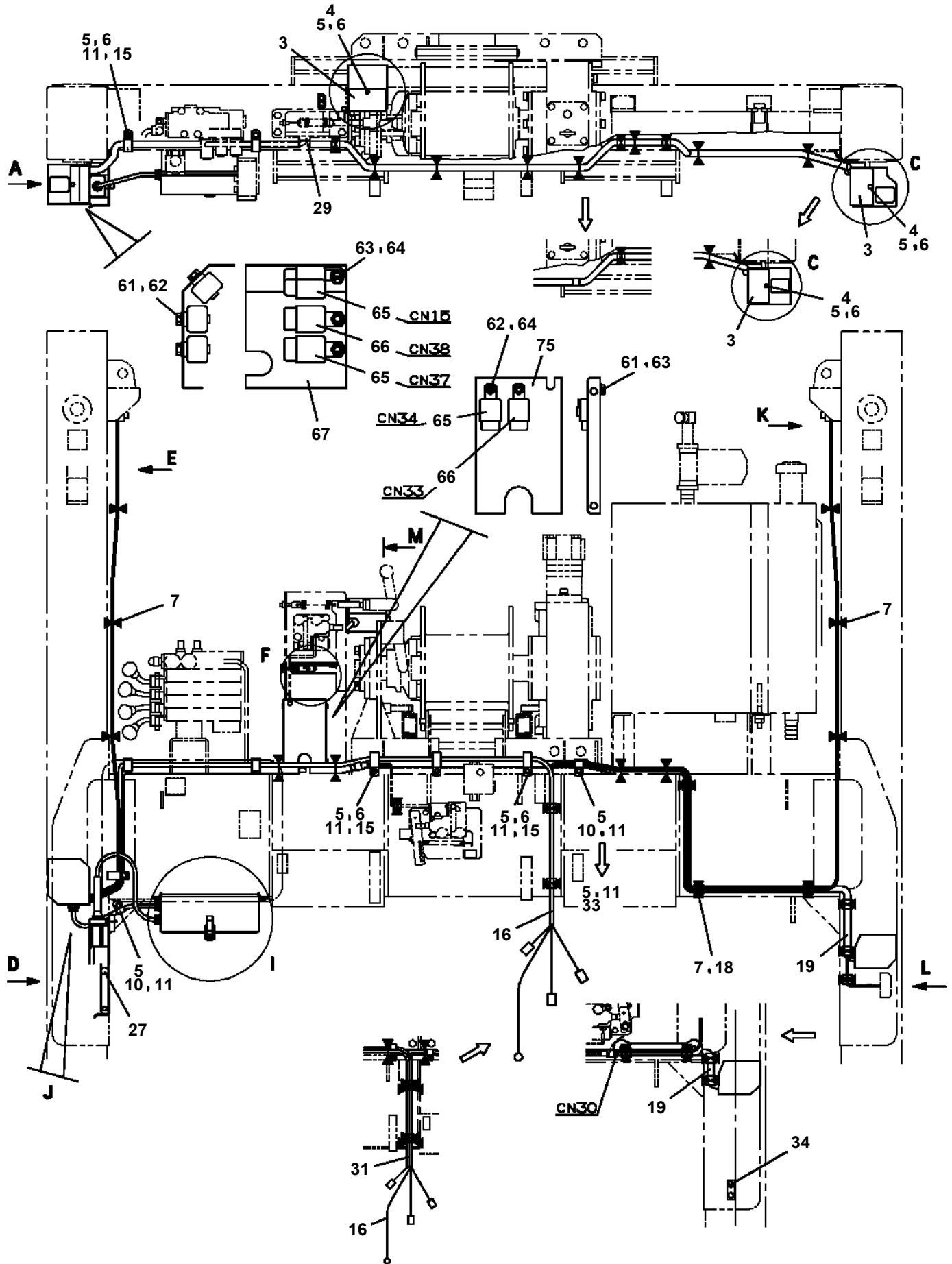


**SL-15-1-00001 SEPARATED FRONT GUARD,WITH WINCH  
PL1030535-01 OPERATION SYSTEM, ACCELERATOR**



**A**

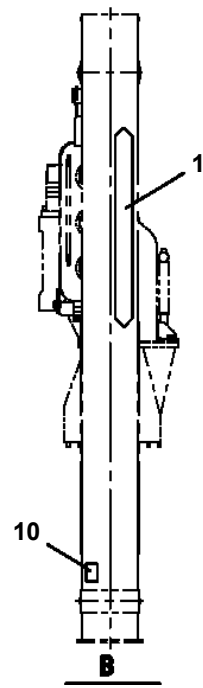
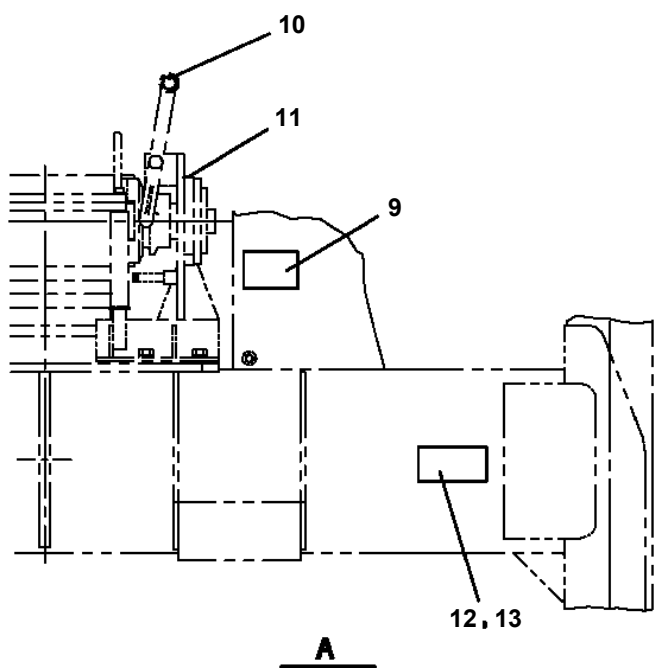
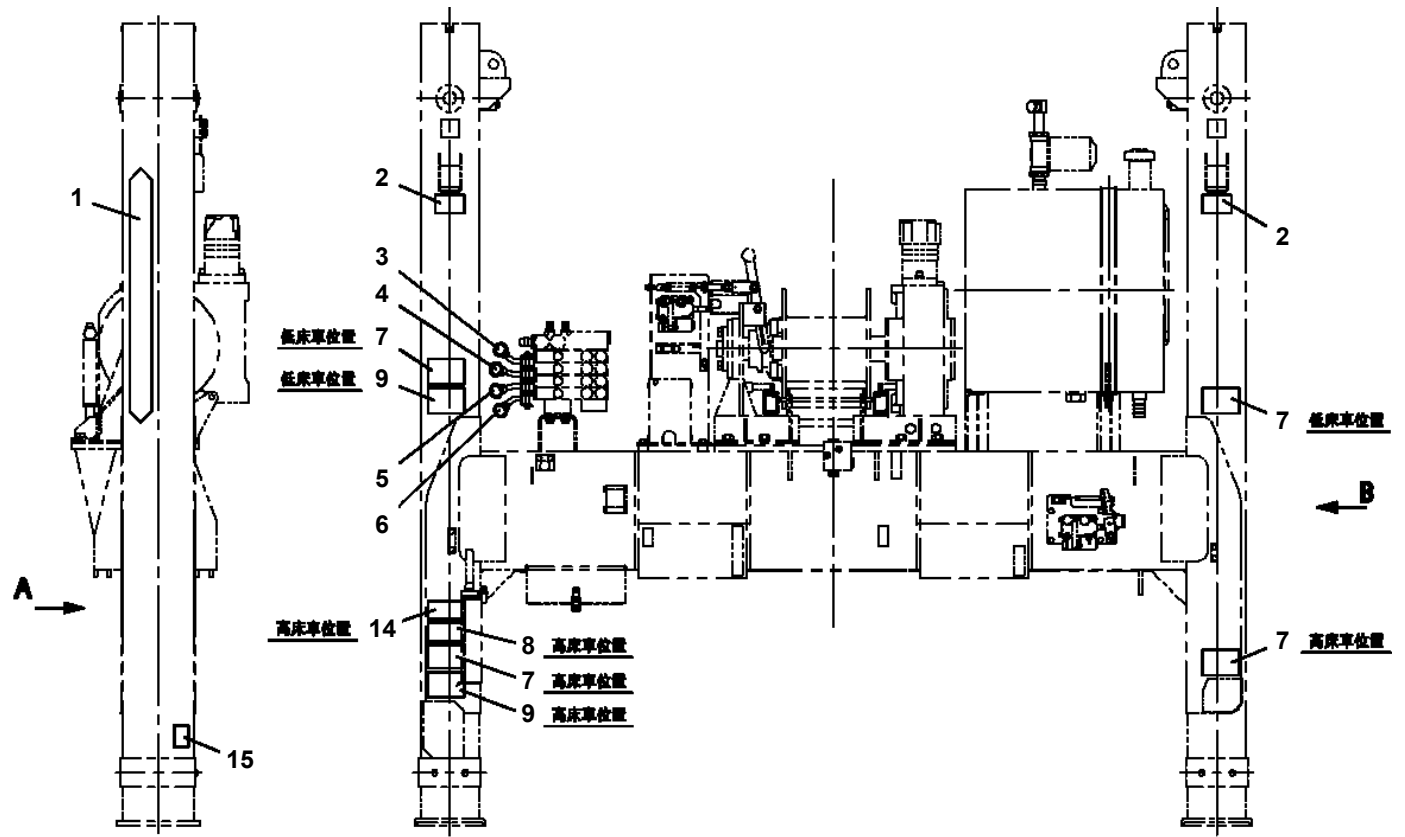
**SL-15-1-00001 SEPARATED FRONT GUARD, WITH WINCH  
PN1011580-02 ELECTRICAL ACCESSORIES**



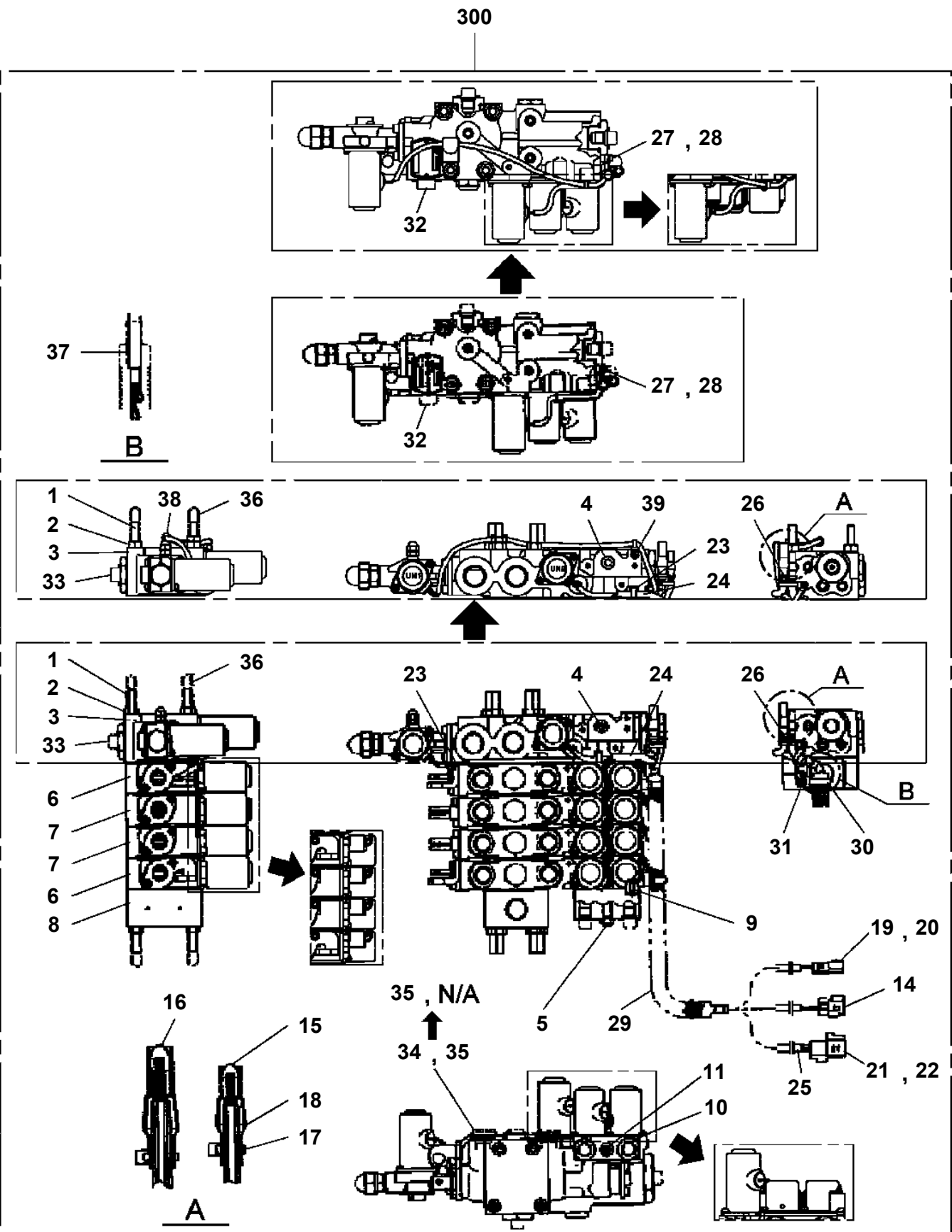
## SL-15-1-00001 SEPARATED FRONT GUARD,WITH WINCH

Pos No.	Parts No	Parts Name	Qty	Unit	Technical Data	Serial No (Start)	Serial No (End)	Rem
96	82121502030	PLATE	1				762617	
97	82100001407	CONNECTOR (SEAL)	2				762617	
98	31652233410	CABLE	1				762617	
	31652233430	CABLE	1			762618		
99	82109863092	SWITCH	1				762901	
	82109863211	SWITCH	1			762902		
100	91810130270	FASTENER	2				762617	
101	82400000324	RING	1					
102	31652233420	TUBE	1				762617	
111	31652232400	SUPPORT	1					
112	31651771600	CLAMP	1					
113	80192484006	SCREW,MACHINE	2		M4X6			
114	31370000250	RING	2					
115	82400000337	CHAIN (QTY=L)	1	M		761674		
116	37000200590	PIN,SNAP	1					
121	31652232200	BOX	1					
122	80171304016	SCREW,MACHINE	2					
123	90302040401	WASHER,SPRING	2		4			
124	31652232150	COVER	1					
125	90000000043	CATCH	1					
126	80175303006	SCREW,MACHINE	4		M3X6			
127	31652232110	GROMMET	2					
131	31652234300	PANEL	1					
132	31652234200	SWITCH ASSY	2					
133	31652234100	PLATE,NAME	1					
135	42433333400	LAMP ASSY (GREEN) <24V)	1					
141	31652234601	PANEL	1				762378	
143	31652234552	PLATE,NAME	1				762378	
222	31652233150	PANEL	1			762379		
229	31652233160	PLATE,NAME	1			762379		
231	31652234700	SWITCH ASSY	2			762379		
241	31652234630	PANEL	1			762379		
243	31652234640	PLATE,NAME	1			762379		

**SL-15-1-00001 SEPARATED FRONT GUARD,WITH WINCH  
PO1012376-00 PLATE,INDICATION**



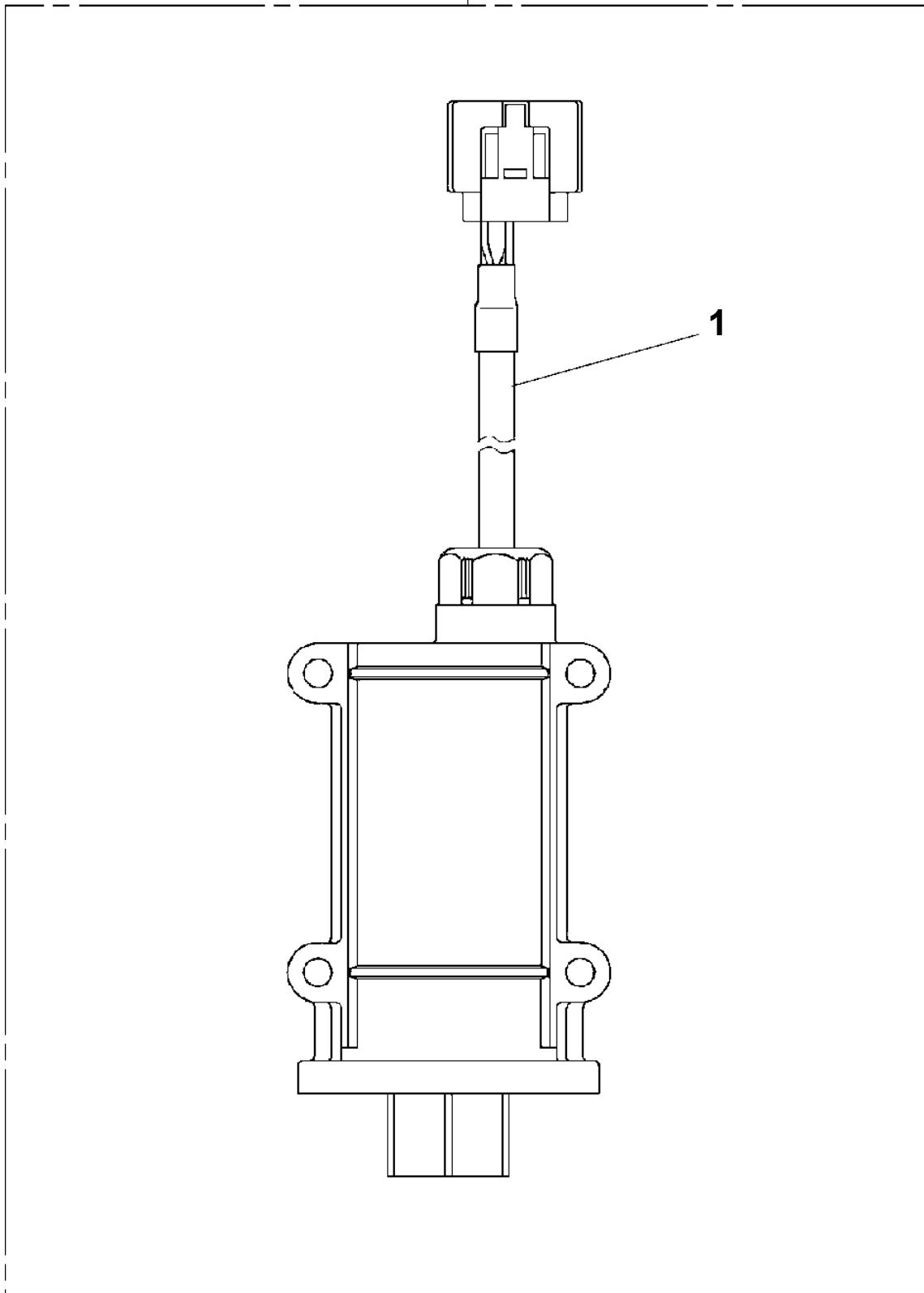
SL-15-1-00001 SEPARATED FRONT GUARD,WITH WINCH  
 PV1020146-04 VALVE,REMOTE CONTROL



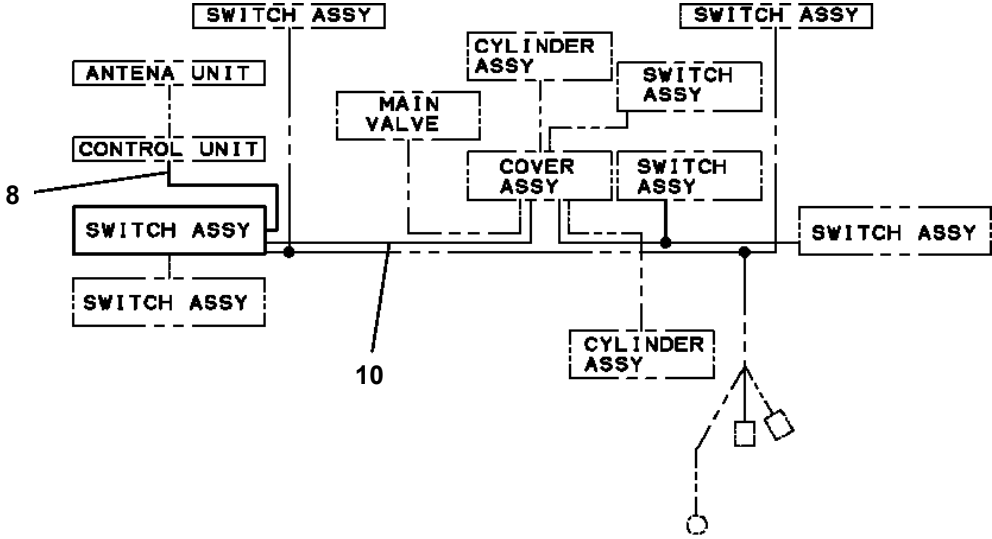
展開圖有  
 ILLUSTRATED BREAKDOWN NO.3, 6, 7

**SL-15-1-00001 SEPARATED FRONT GUARD,WITH WINCH  
PV1040032-01 CONTROL BOX (SELF WINCH RADIO CONTROL)**

**50**

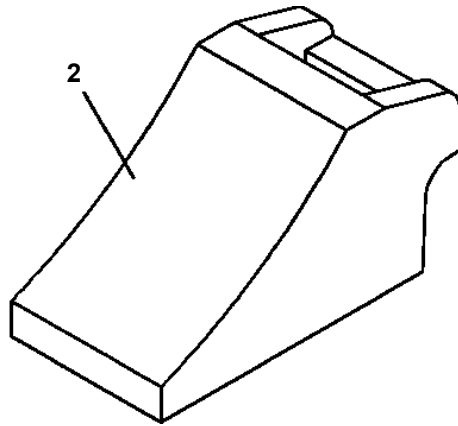


**SL-15-1-00001 SEPARATED FRONT GUARD,WITH WINCH  
PV1070413-01 RADIO CONTROL**



HARNESS

**SL-15-1-00001 SEPARATED FRONT GUARD,WITH WINCH  
PW1050011-00 STOPPER,TIRE**



CLICK HERE TO **DOWNLOAD** THE COMPLETE MANUAL

- Thank you very much for reading the preview of the manual.
- You can download the complete manual from: [www.heydownloads.com](http://www.heydownloads.com) by clicking the link below



- Please note: If there is no response to CLICKING the link, please download this PDF first and then click on it.

CLICK HERE TO **DOWNLOAD** THE COMPLETE MANUAL