

## **LS-1800-1-00005 UPPER**

**PB1000416-01 HYDRAULIC PRESSURE GENERATING SYSTEM**

**PC1000332-01 OUTRIGGER SYSTEM**

**PD1000383-01 SWING SYSTEM**

**PE1000385-01 ELEVATING SYSTEM**

**PG1000347-02 TELESCOPING SYSTEM**

**PH1000345-01 SAFETY DEVICES**

**PK1000396-00 FRAME**

**PL1000406-01 CONTROL DEVICES**

**PN1000277-01 ELECTRIC EQUIPMENT**

**PO1000144-01 INDICATION PLATES**

**PW1000028-00 ACCESSORIES & TOOLS**

**PX1000428-01 MOUNTING PARTS**

**ASSEMBLY**

CLICK HERE TO **DOWNLOAD** THE COMPLETE MANUAL

- Thank you very much for reading the preview of the manual.
- You can download the complete manual from: [www.heydownloads.com](http://www.heydownloads.com) by clicking the link below



- Please note: If there is no response to CLICKING the link, please download this PDF first and then click on it.

CLICK HERE TO **DOWNLOAD** THE COMPLETE MANUAL

# LS-1800-1-00005 UPPER

Pos No.	Parts No	Parts Name	Qty	Unit	Technical Data	Serial No (Start)	Serial No (End)	Remarks	F
1	(*****)	BOOM	1						0
2	(*****)	JIB	1						0
3	(*****)	CYLINDER,TELESCOPING	1						0
4	(*****)	PIPING,BOOM	1						0
5	(*****)	PIPING,JIB	1						0
6	(*****)	COVER,BOOM	1						0

# LS-1800-1-00005 UPPER

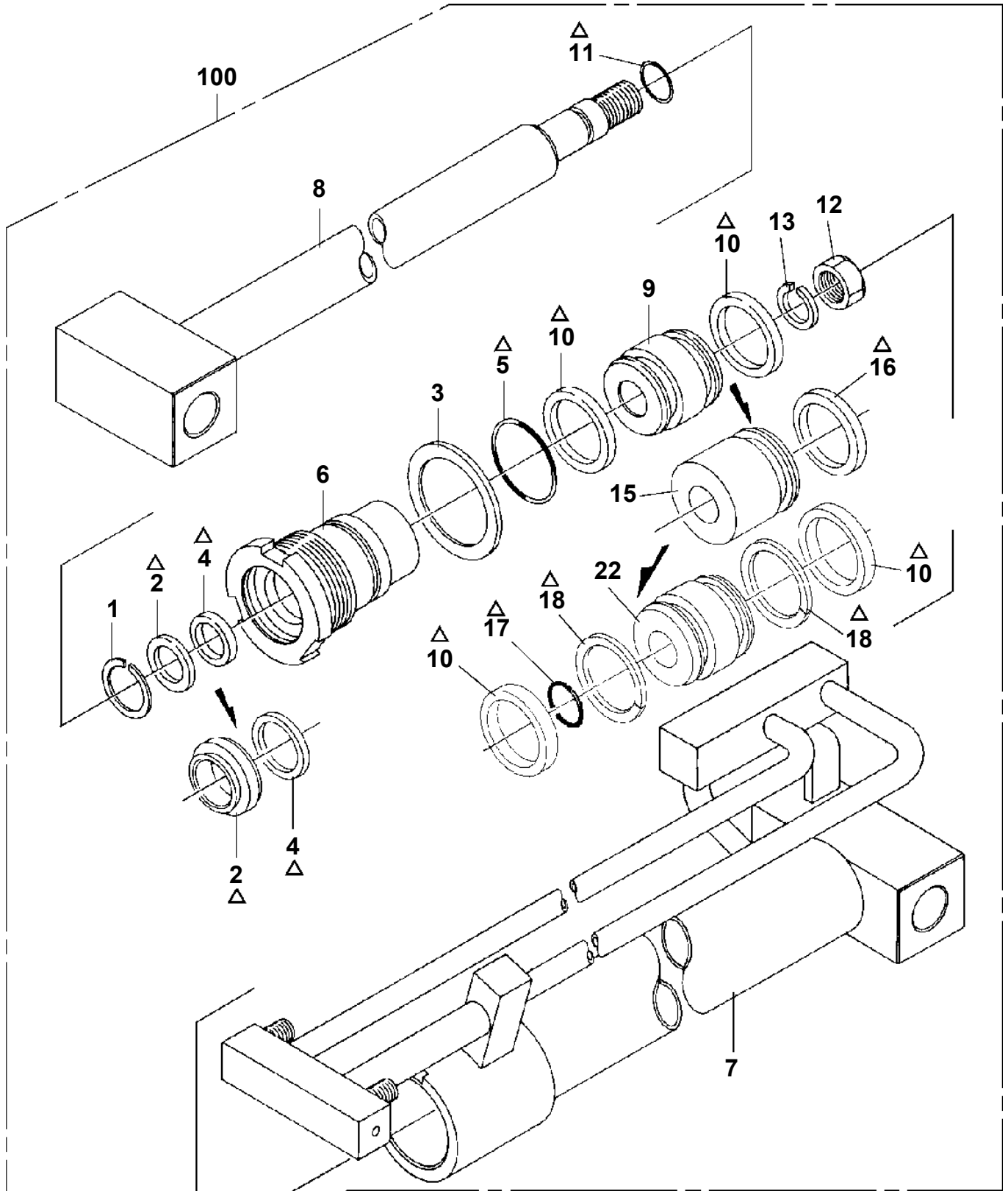
Pos No.	Parts No	Parts Name	Qty	Unit	Technical Data	Serial No (Start)	Serial No (End)	Re
1	(*****)	PLATE ASSY,NAME (UPPER)	1					
2	(*****)	PLATE ASSY,NAME (GENERATOR)	1					

## LS-1800-1-00005 UPPER

Pos No.	Parts No	Parts Name	Qty	Unit	Technical Data	Serial No (Start)	Serial No (End)	Remarks
2	42630682001	BRUSH,ROTARY JOINT	1					
3	90101208022	BOLT	3		M8X22			
4	90302040801	WASHER,SPRING	3		8			
21	53154004000	BUSH (THRUST)	1					
22	42630551100	BODY	1					
23	42630681100	CORE	1					
24	91531211000	PACKING	2					
25	91100211000	SEAL,RING	2					
26	82456101000	NIPPLE,GREASE	1		A-PT1/8			
27	42630681200	JOINT	1					
28	91002802200	O-RING	1		1B P22			
29	91002801800	O-RING	1		1B P18			
30	91002801400	O-RING	1		1B P14			
31	91002801100	O-RING	1		1B P11			
32	90131510050	BOLT,HEXAGON SOCKET	3		M10X50			
33	90302041001	WASHER,SPRING	3		10			
50	42630680000	JOINT,ROTARY	1					



**LS-1800-1-00005 UPPER  
PC1050220-00 CYLINDER,EXTENSION (FRONT)**

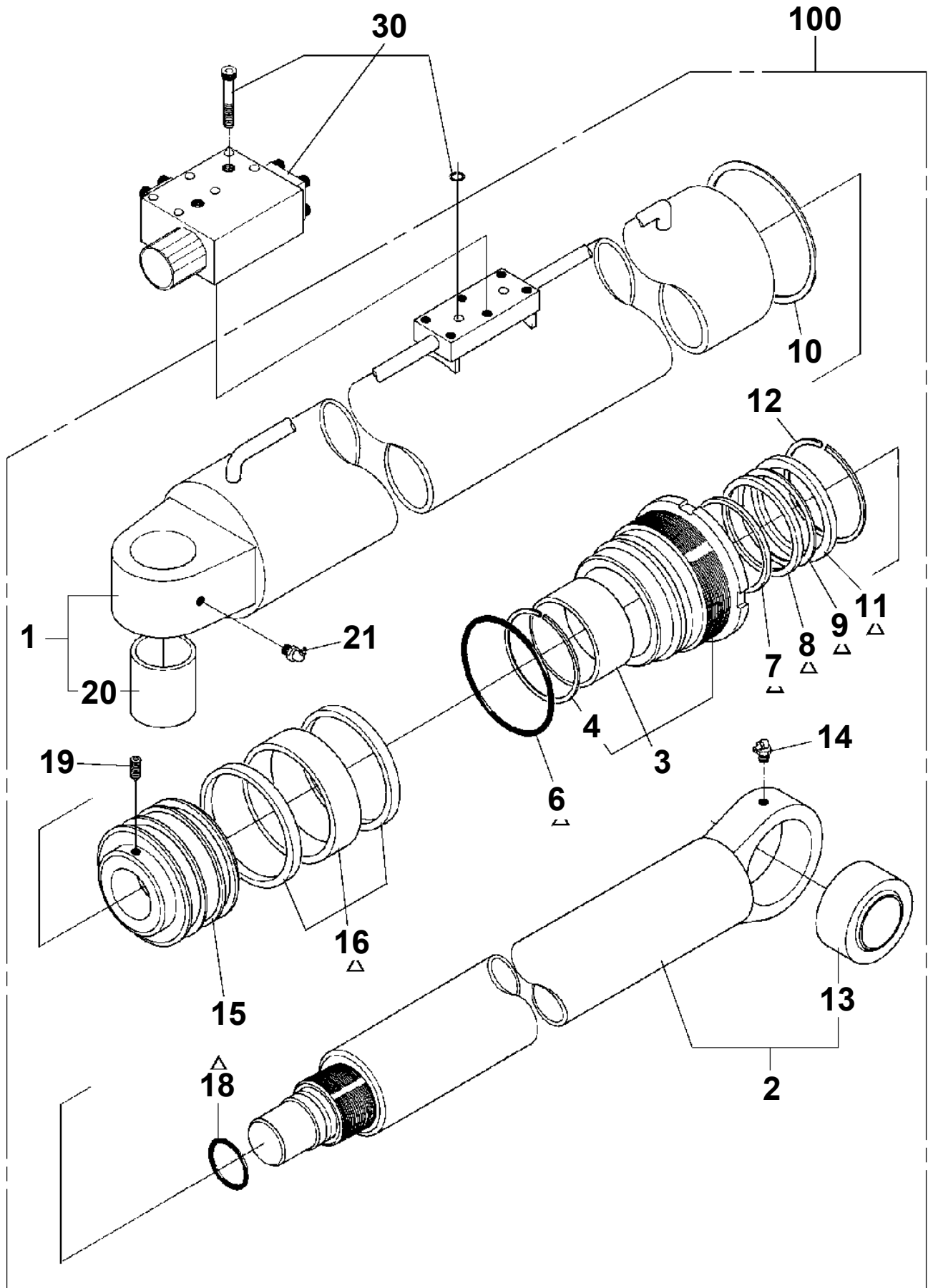


Δ : PACKING SET KEY NO.30 (KEY NO 2 4 5 10,11)

↓  
Δ : PACKING SET KEY NO.40 (KEY NO 2 4 5 16)

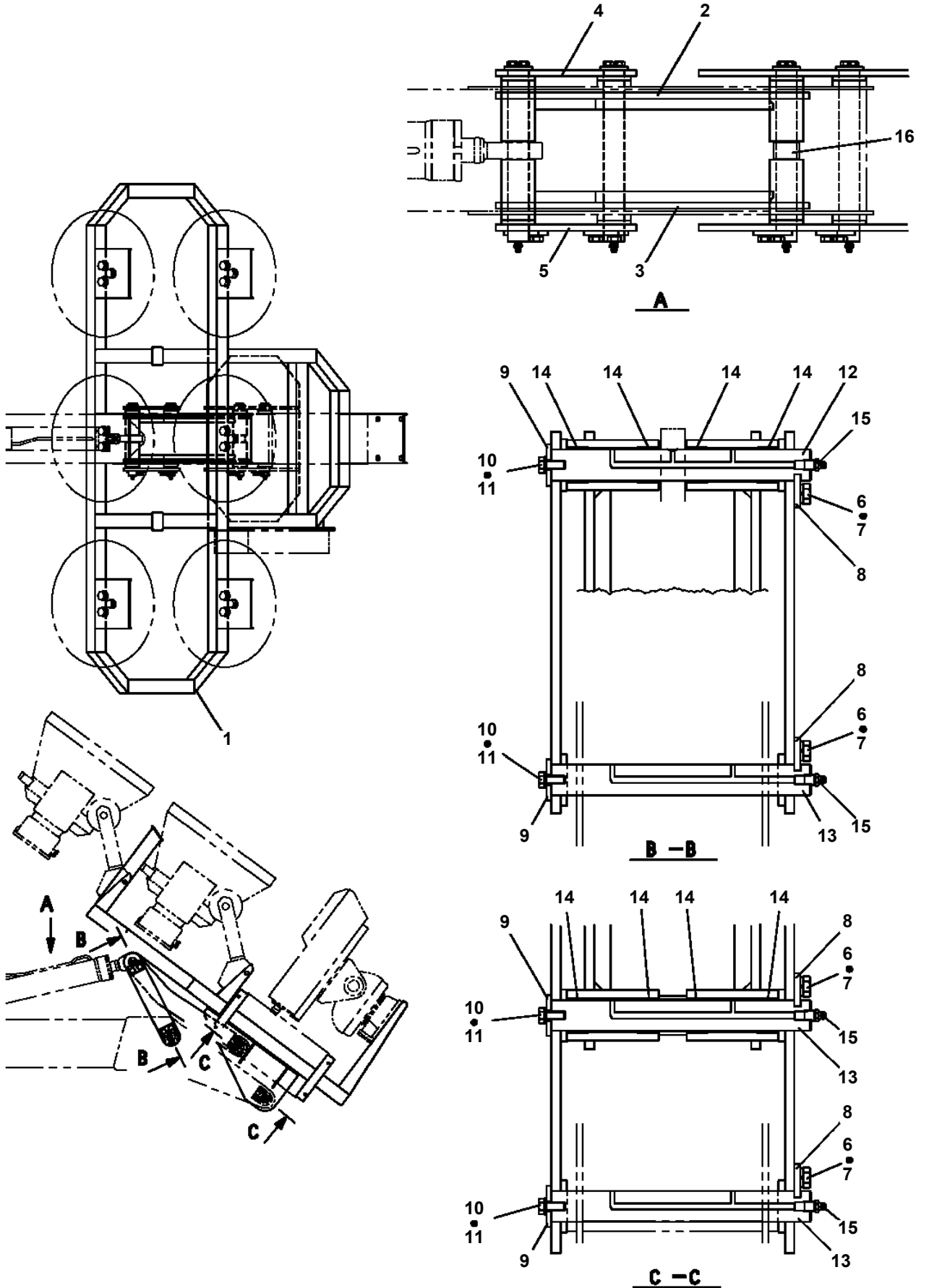
↓  
Δ : PACKING SET KEY NO.50 (KEY NO 2 4 5 10,17,18)

LS-1800-1-00005 UPPER  
PE1010006-05 CYLINDER,ELEVATING

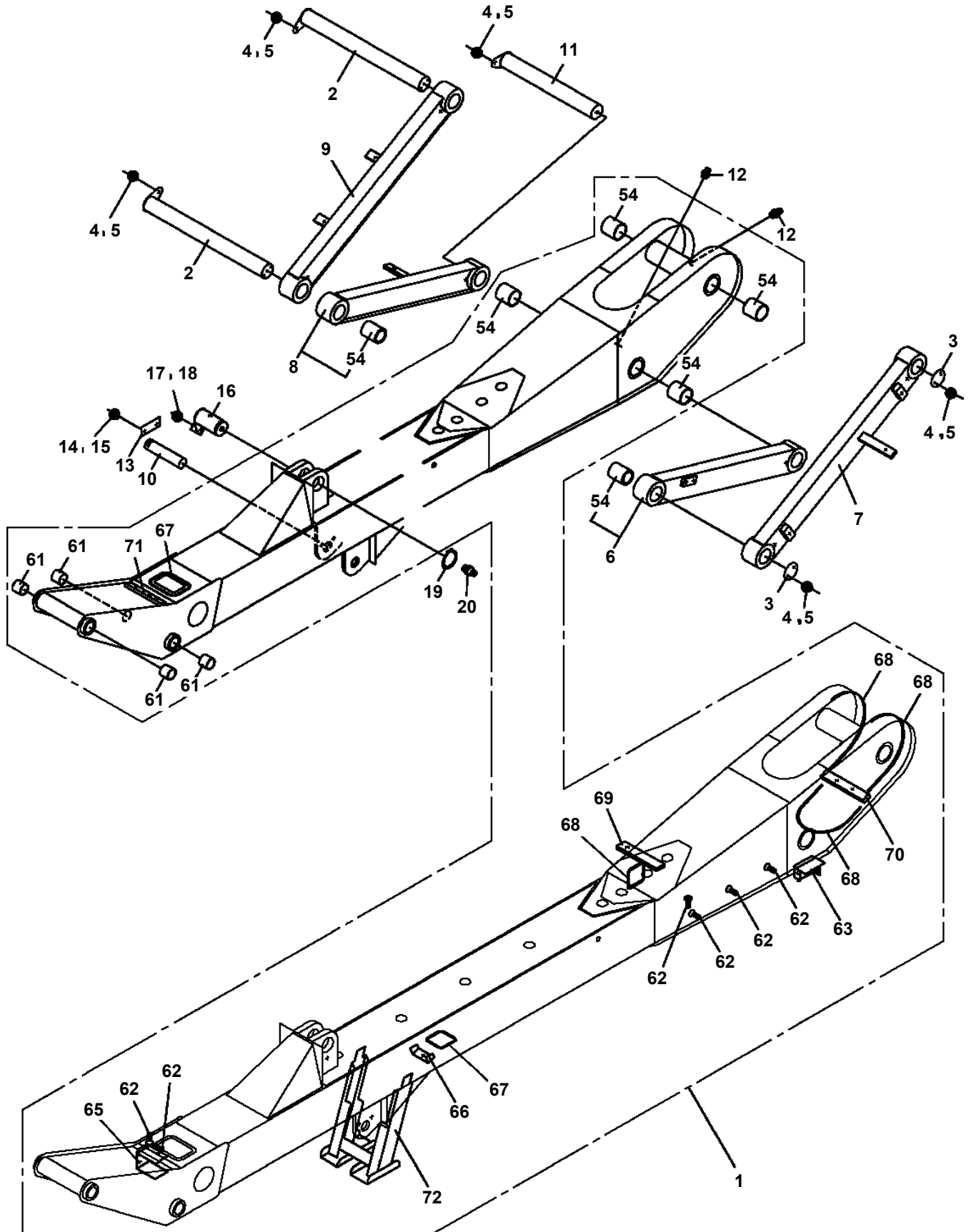


△ : PACKING SET KEY NO**51** ( KEY NO. 6,7,8,9,11,16,18)

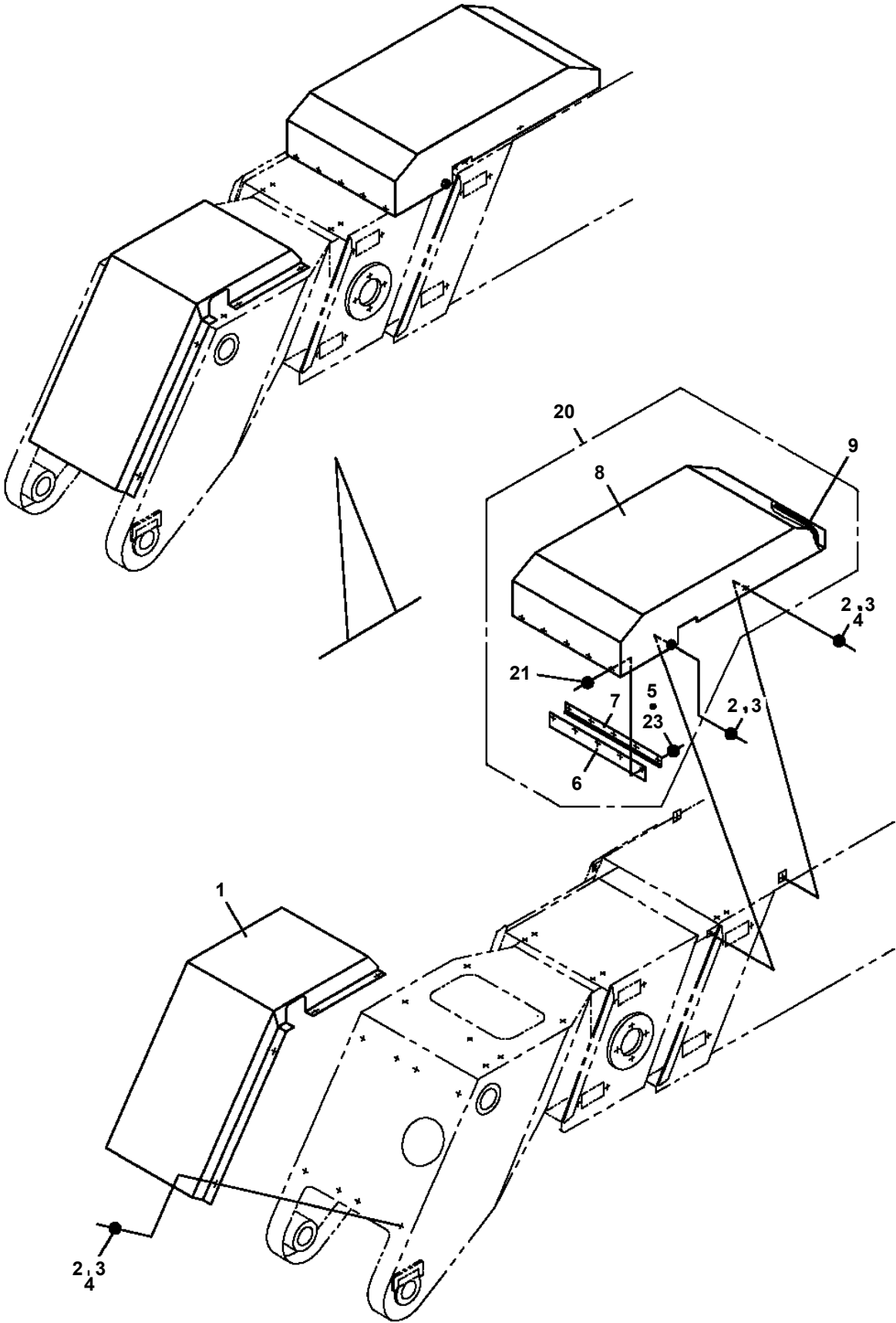
LS-1800-1-00005 UPPER  
PE1400009-00 TILTING LAMP (FRAME)



LS-1800-1-00005 UPPER  
PG1040251-00 JIB



LS-1800-1-00005 UPPER  
PG1410058-00 COVER,BOOM



# LS-1800-1-00005 UPPER

Pos No.	Parts No	Parts Name	Qty	Unit	Technical Data	Serial No (Start)	Serial No (End)	Remarks	Pages
100	42353080300	HARNESS	1						

CLICK HERE TO **DOWNLOAD** THE COMPLETE MANUAL

- Thank you very much for reading the preview of the manual.
- You can download the complete manual from: [www.heydownloads.com](http://www.heydownloads.com) by clicking the link below



- Please note: If there is no response to CLICKING the link, please download this PDF first and then click on it.

CLICK HERE TO **DOWNLOAD** THE COMPLETE MANUAL

# LS-1800-1-00005 UPPER

Pos No.	Parts No	Parts Name	Qty	Unit	Technical Data	Serial No (Start)	Serial No (End)	Remarks	Pages
100	42353070201	HARNESS	1						

# LS-1800-1-00005 UPPER

Pos No.	Parts No	Parts Name	Qty	Unit	Technical Data	Serial No (Start)	Serial No (End)	Remarks	Pages
100	42434070500	HARNESS	1						

# LS-1800-1-00005 UPPER

Pos No.	Parts No	Parts Name	Qty	Unit	Technical Data	Serial No (Start)	Serial No (End)	Remarks	Pages
100	42651740200	HARNESS	1						

# LS-1800-1-00005 UPPER

Pos No.	Parts No	Parts Name	Qty	Unit	Technical Data	Serial No (Start)	Serial No (End)	Remarks	Pages
2	36604385010	VALVE,RELIEF	1						
13	16025153030	SPRING	1						
14	91000501500	O-RING	1		AS568-015				
15	91002802200	O-RING	1		1B P22				
16	91002801001	O-RING	1		1B P10A				
20	16025153020	SPRING	1						
24	91001001600	O-RING	2		1A S16				
30	36604380000	VALVE,RELIEF	1						

# LS-1800-1-00005 UPPER

Pos No.	Parts No	Parts Name	Qty	Unit	Technical Data	Serial No (Start)	Serial No (End)	Remark
3	91001101100	O-RING	2		1A P11			
4	36601125010	RING,BACKUP	2		P11			
5	36601125020	SPRING	2					
7	91001101800	O-RING	2		1A P18			
8	80316030020	PLUG	1		PT1/8			
9	80316030040	PLUG	2		PT1/4			
11	36601125030	SPRING	2					
12	80316030060	PLUG	4		PT3/8			
13	91002801400	O-RING	2		1B P14			
14	36601125040	PLUG	2					
15	36660495120	THROTTLE	2		M4			
16	36601125050	PLUG	1					
20	36601310000	VALVE,COUNTERBALANCE	1					

# LS-1800-1-00005 UPPER

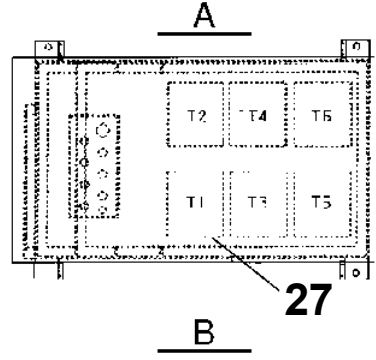
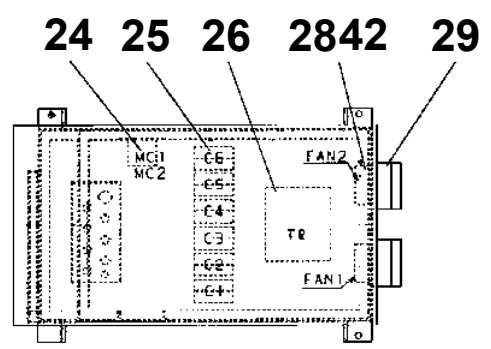
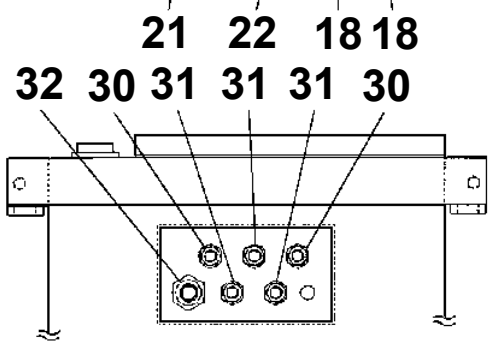
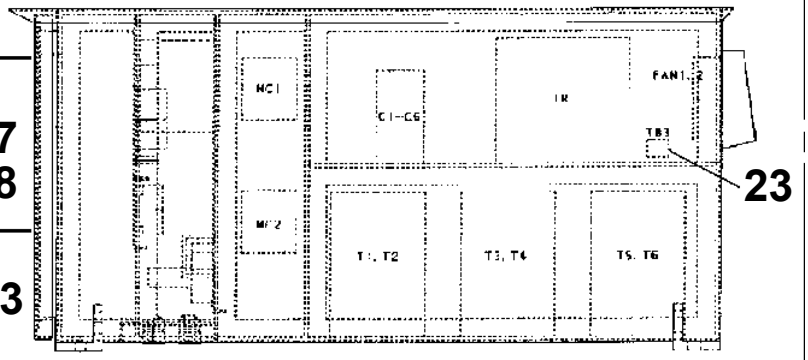
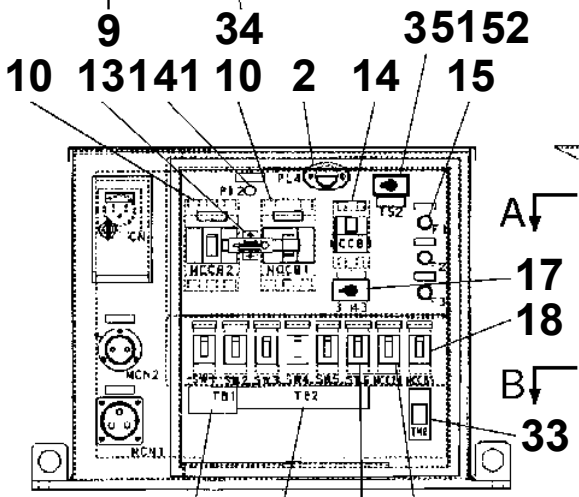
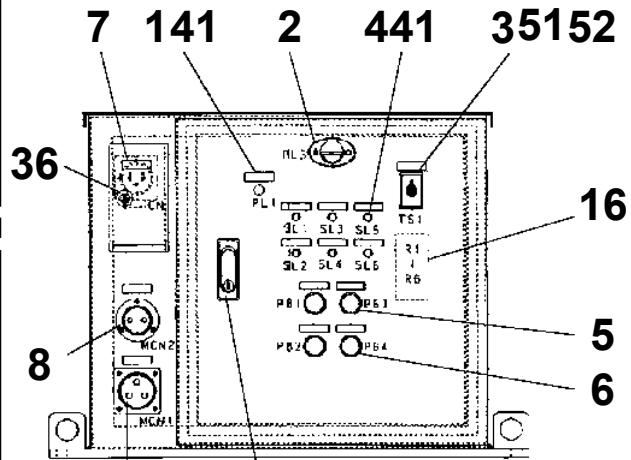
Pos No.	Parts No	Parts Name	Qty	Unit	Technical Data	Serial No (Start)	Serial No (End)	Remarks	Pages
1	42231121000	SWING FRAME	1						
2	37000112680	PIN	1						
3	90171112030	BOLT	2		M12X30				
4	90302041201	WASHER,SPRING	2		12				
5	37000509190	PLATE	1						
6	37000507730	PLATE	1						
7	90171320045	BOLT	1		M20X45				
8	90302042001	WASHER,SPRING	1		20				
11	90171110022	BOLT	2		M10X22				
12	90302041001	WASHER,SPRING	2		10				
13	37000112690	PIN	1						
14	37000507560	PLATE	1						
15	90101208012	BOLT	2		M8X12				
16	90302040801	WASHER,SPRING	2		8				
17	32610010040	PLATE	1						
18	37001500250	BOLT	15		M16X70				
19	90303501601	WASHER,PLAIN	15		16				
21	42340240700	GROMMET	2						
22	82400000347	GROMMET	2		L=320				
23	42230530900	GROMMET	2						

# LS-1800-1-00005 UPPER

Pos No.	Parts No	Parts Name	Qty	Unit	Technical Data	Serial No (Start)	Serial No (End)
118	90101206012	BOLT	3		M6X12		
121	42352272010	SWITCH ASSY	1				
158	82100002307	COVER (CONTACT BLOCK PROTECTION/BLACK)	2				
188	82100002308	COVER	1				
204	82100005004	LENS (RED)	4				
214	82198300505	LENS (YELLOW)	1				
221	42351611200	SUPPORT	1				
222	82104501200	SWITCH,LIMIT	2				
241	42433049510	COVER ASSY	1				
251	82100000783	BULB,LAMP	1		24V 12W		
267	82400000349	CATCH	1				
268	80147310420	RIVET	12		3.2X6		
270	82464102702	HINGE	2				
301	42331227700	BUTTON (FOR SWITCH)	1				
302	42331227670	LED	1				
311	82198300601	BUTTON (BLACK)	1				

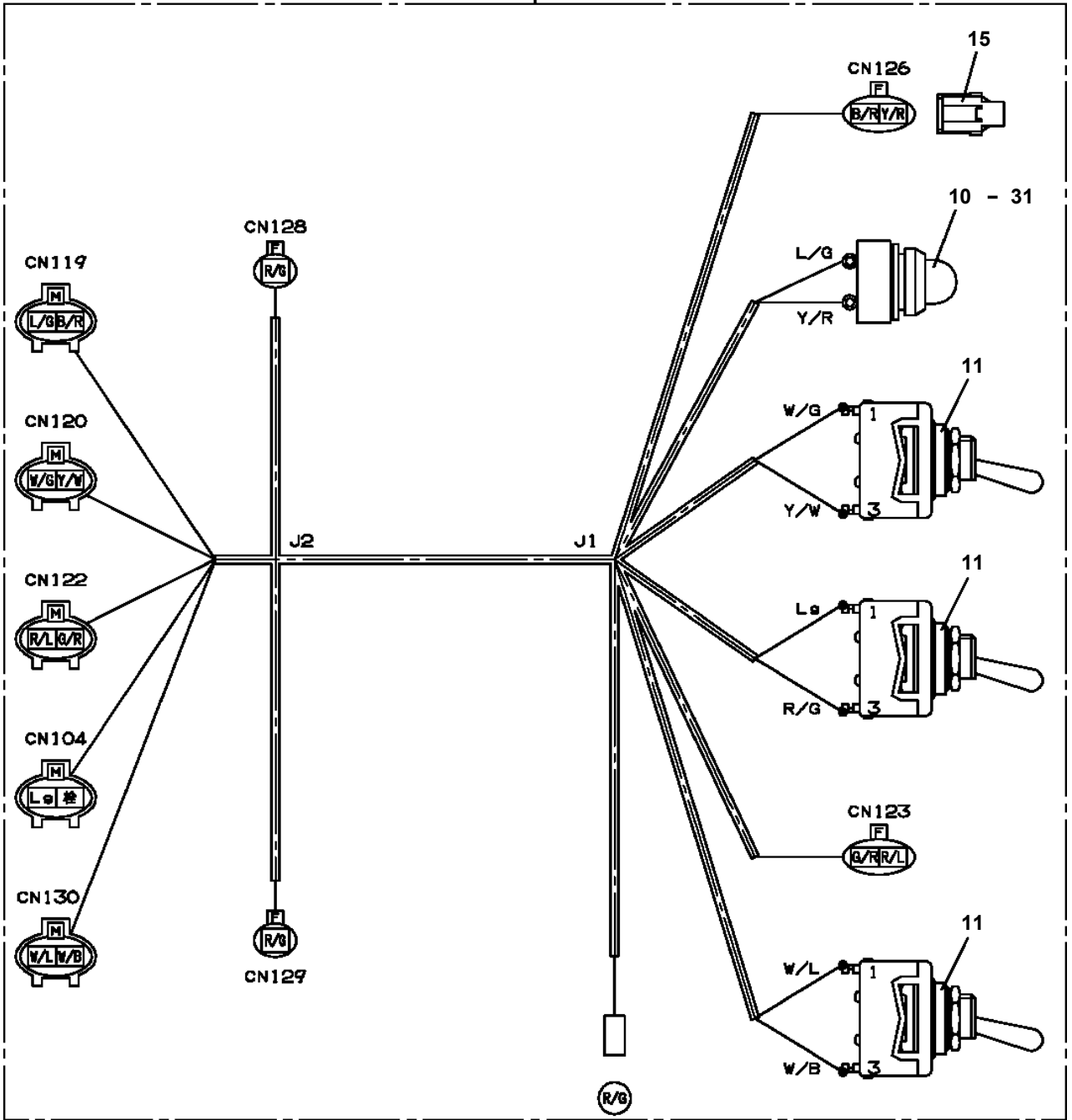
LS-1800-1-00005 UPPER  
PN1060101-01 SWITCH PANEL

100



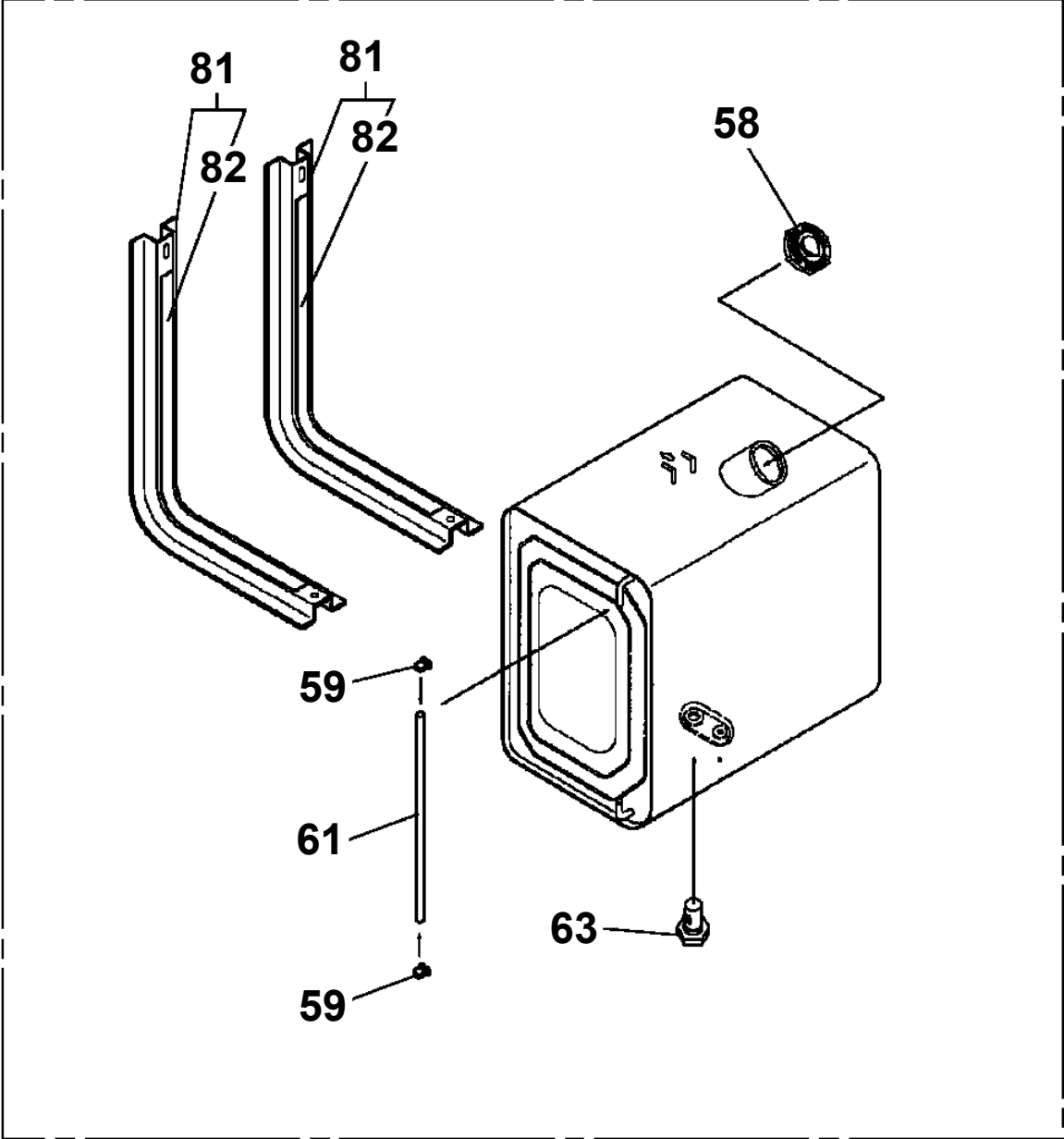
LS-1800-1-00005 UPPER  
PN1450036-00 HARNESS

50



LS-1800-1-00005 UPPER  
PQ1100021-01 TANK,FUEL

100



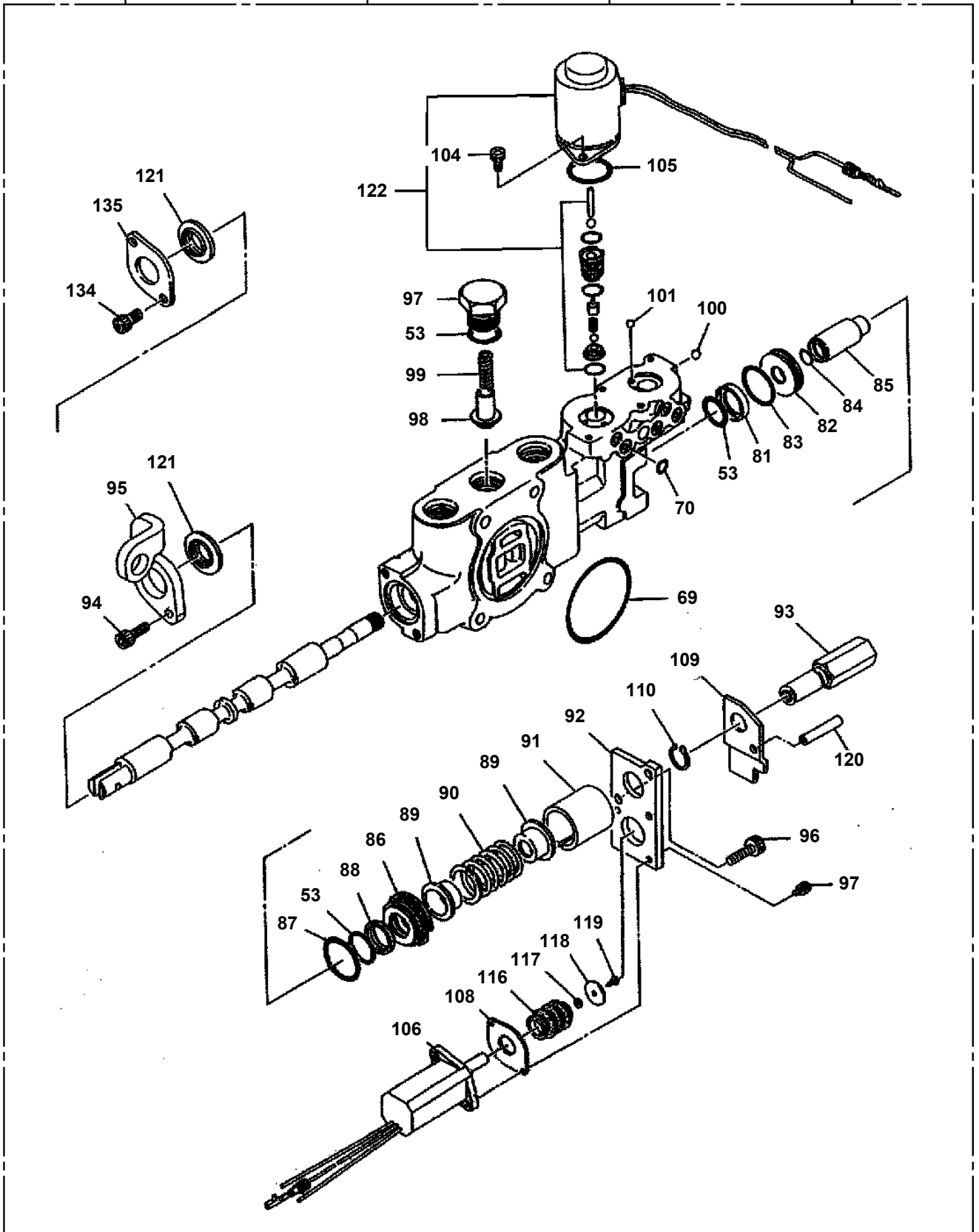
LS-1800-1-00005 UPPER  
PV1020200-01 VALVE,REMOTE CONTROL

2 SWING

3 BENT  
TILT

4 TELESCOPING

5 ELEVATING



CLICK HERE TO **DOWNLOAD** THE COMPLETE MANUAL

- Thank you very much for reading the preview of the manual.
- You can download the complete manual from: [www.heydownloads.com](http://www.heydownloads.com) by clicking the link below



- Please note: If there is no response to CLICKING the link, please download this PDF first and then click on it.

CLICK HERE TO **DOWNLOAD** THE COMPLETE MANUAL