

DT-720-1-43500 LOWER,ISUZU TKG-FRR90S1-JANYN-M

PB1000397-00 HYDRAULIC PRESSURE GENERATING SYSTEM

PC1000315-01 OUTRIGGER SYSTEM

PK1000638-00 FRAME

PL1000387-01 CONTROL DEVICES

PN1000577-00 ELECTRIC EQUIPMENT

PO1000169-00 INDICATION PLATES

PW1000028-00 ACCESSORIES & TOOLS

PX1001264-00 MOUNTING PARTS

PY1001449-01 OPTIONS

ASSEMBLY

CLICK HERE TO **DOWNLOAD** THE COMPLETE MANUAL

- Thank you very much for reading the preview of the manual.
- You can download the complete manual from: www.heydownloads.com by clicking the link below



- Please note: If there is no response to CLICKING the link, please download this PDF first and then click on it.

CLICK HERE TO **DOWNLOAD** THE COMPLETE MANUAL

DT-720-1-43500 LOWER,ISUZU TKG-FRR90S1-JANYN-M

Pos No.	Parts No	Parts Name	Qty	Unit	Technical Data	Serial No (Start)	Se
1	(*****)	MOUNT ASSY,TAIL LAMP	1				
2	(*****)	ELEC.ASSY,CARRIER	1				
3	(*****)	ELEC.ASSY (WITH BOOM RETRACTION DETECTOR)	1				

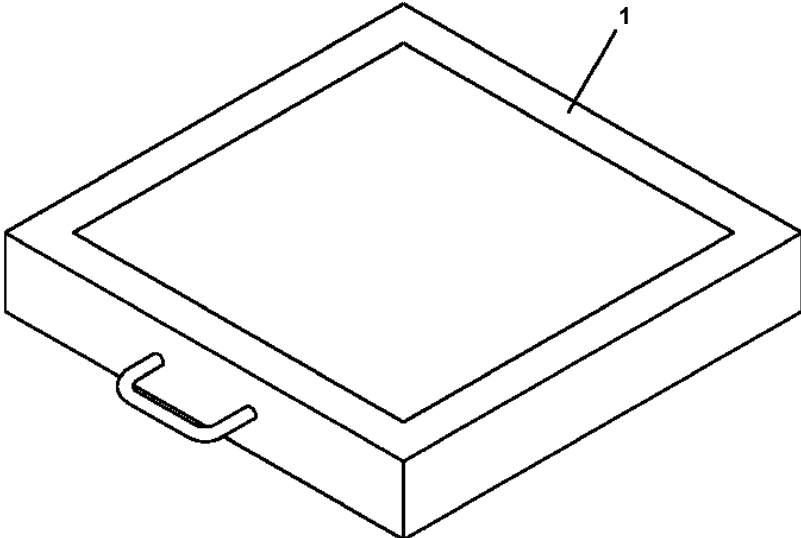
DT-720-1-43500 LOWER,ISUZU TKG-FRR90S1-JANYN-M

PN1350111-02 REEL,CORD
PN5010027-00 NAME PLATE ASSY (CRANE)
PN5010028-00 NAME PLATE ASSY (OIL)
PN5010801-00 NAME PLATE ASSY (LLC)
PN5010804-00 NAME PLATE ASSY (CARRIER)
PO5270180-01 OUTRIGGER ASSY (FRONT)
PO5270186-02 OUTRIGGER ASSY (REAR)
PP5460001-01 PULLER ASSY
PR5050034-00 REEL ASSY,CORD
PR5100098-00 RELAY BOX ASSY
PS5050009-00 SEAT ASSY
PS5530239-01 SWITCH ASSY
PT5160012-01 TOOL ASSY
PV5040006-00 VALVE ASSY,CHECK
PW1100000-00 CHAIN
PW5110005-00 WEDGE (YELLOW)
PX1100102-01 TANK SUPPORT INSTALLATION
PX1120127-00 BOOM REST INSTALLATION
PX1270021-02 WOOD BLOCK INSTALLATION
PX1350415-01 BOX,TOOL
PX1940030-01 MOUNT(FRAME)
PX5010154-01 MOUNT ASSY
PX5280008-00 MOUNT ASSY,DECK
PX5360066-01 MOUNT ASSY,FRAME
PX5590025-02 MOUNT ASSY,PUMP (WATER)
PX5620012-00 MOUNT ASSY,REFLECTOR
PX5650035-00 MOUNT ASSY,SIDE GUARD
PX5740039-01 MOUNT ASSY,TAIL LAMP
PX5750004-02 MOUNT ASSY,TANK (WATER)
PX5780012-00 MOUNT ASSY,TOOL BOX
PX5820052-00 MOUNT ASSY,WEIGHT
PY1180302-07 LAMP (FLICKER)
PY1230009-01 OIL COOLER INSTALLATION (HYDRAULIC)
PY1300002-04 COOLER,OIL (MOUNT)
PY1300003-00 COOLER,OIL
PY1560009-00 ALARM SYSTEM (OVERRUN/OVER FRONT AREA)
PY1600003-04 CYLINDER,POLE PULLER
PY1650088-01 EARTHING DEVICE
PY1840001-04 BREAKER (BR37)
PY1840002-04 BREAKER (BR45)
PY1840003-03 BREAKER (BR67)
PY1910011-00 HOSE
PY5020072-00 ACCESSORIES ASSY
PZ0000000-00 HARNESS

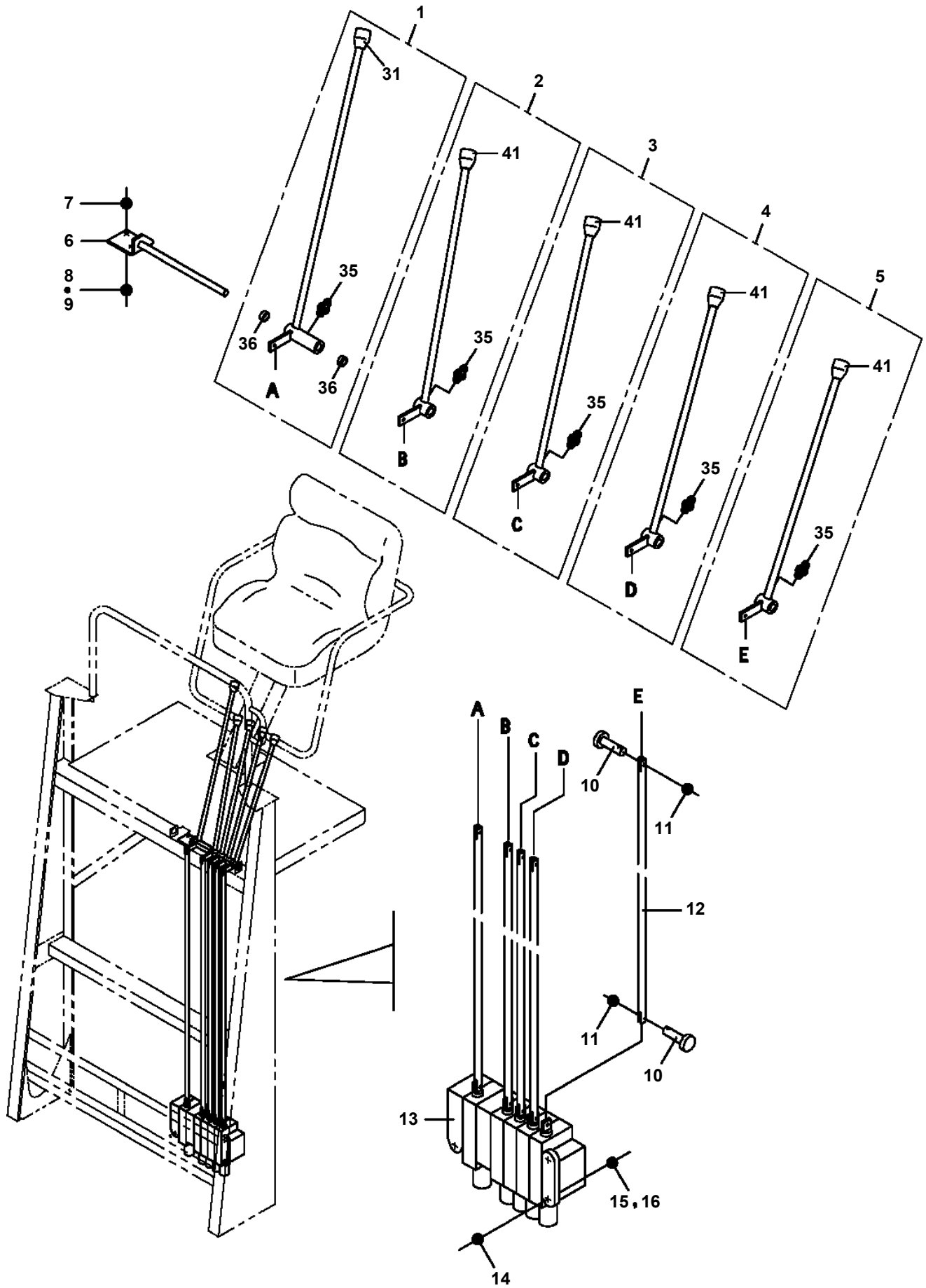
DT-720-1-43500 LOWER,ISUZU TKG-FRR90S1-JANYN-M

Pos No.	Parts No	Parts Name	Qty	Unit	Technical Data	Serial No (Start)	Serial No (End)	Remarks
1	32820640200	SUPPORT	1					
2	90171112025	BOLT	4		M12X25			
3	90302041201	WASHER,SPRING	4		12			
4	90172110035	BOLT,HEXAGON SOCKET	2		M10X35			
5	90302041001	WASHER,SPRING	2		10			
6	90303071001	WASHER,PLAIN	2		10			
7	90201781000	NUT	2		M10			
8	90171106020	BOLT	1		M6X20			
9	90302040601	WASHER,SPRING	1		6			
10	32811100020	SUPPORT	1					
11	32811100030	COUPLING	1					
14	36651390000	PUMP,HYDRAULIC	1					

DT-720-1-43500 LOWER,ISUZU TKG-FRR90S1-JANYN-M
PB5140007-00 BLOCK,WOOD



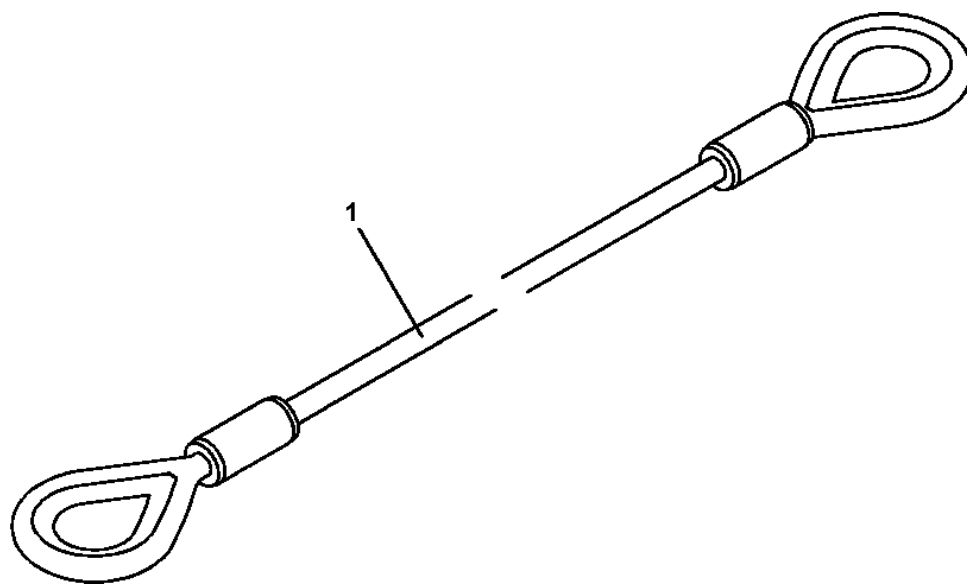
DT-720-1-43500 LOWER, ISUZU TKG-FRR90S1-JANYN-M
PC1100226-00 OPERATION SYSTEM, OUTRIGGER



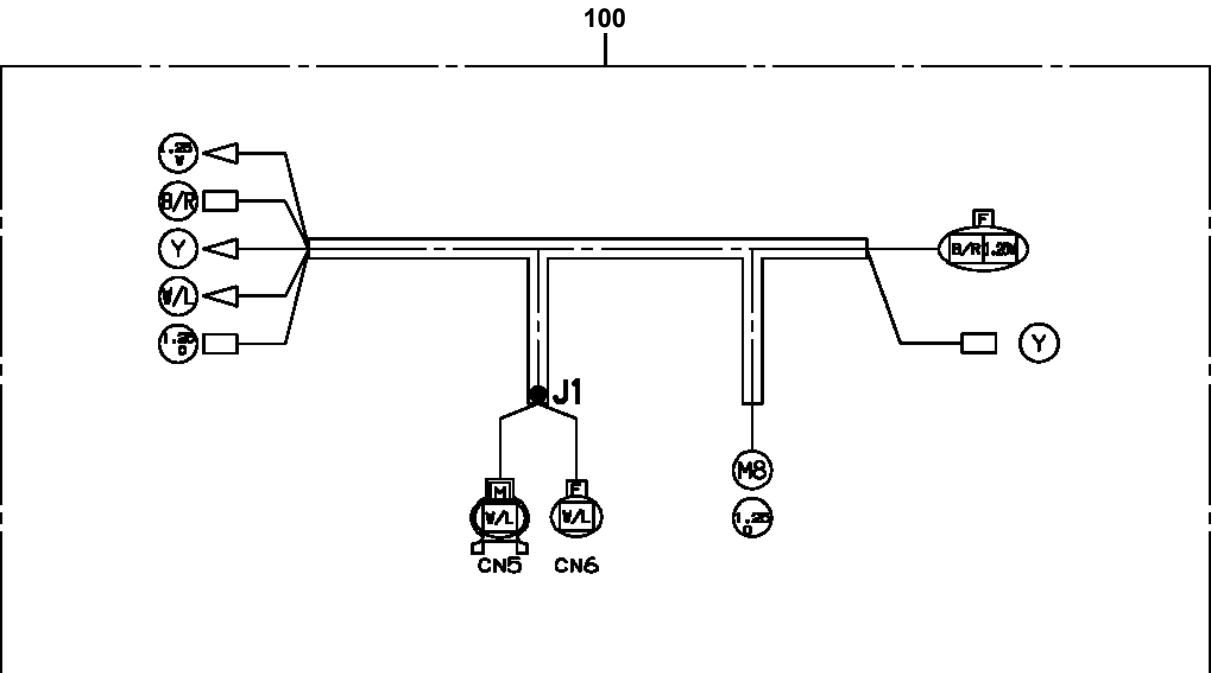
DT-720-1-43500 LOWER,ISUZU TKG-FRR90S1-JANYN-M

Pos No.	Parts No	Parts Name	Qty	Unit	Technical Data	Serial No (Start)	Serial No (End)	Remarks	Pages
1	36648570000	VALVE,SOLENOID	1						00005
2	37000927510	JOINT	1						
3	91002802400	O-RING	3		1B P24				
4	80305151804	FITTING,TEE	1		KTK018-040N				
5	91002801800	O-RING	1		1B P18				
6	80305010120	FITTING,TEE	1		ZKTA15-000N				
7	80302090181	FITTING	1		KCO15-030N				
8	91002801400	O-RING	1		1B P14				
9	81408000210	PIPE,STEEL	1	M	15X2.0T				
10	81408000210	PIPE,STEEL	1	M	15X2.0T				
11	81408000210	PIPE,STEEL	1	M	15X2.0T				
12	81408000241	PIPE,STEEL	1	M	18X1.9T				
14	90101210020	BOLT	2		M10X20				
15	90302041001	WASHER,SPRING	2		10				
16	81408000241	PIPE,STEEL	1	M	18X1.9T				
17	80302090251	FITTING	2		KCO018-060N				
18	32642231200	COVER	1						

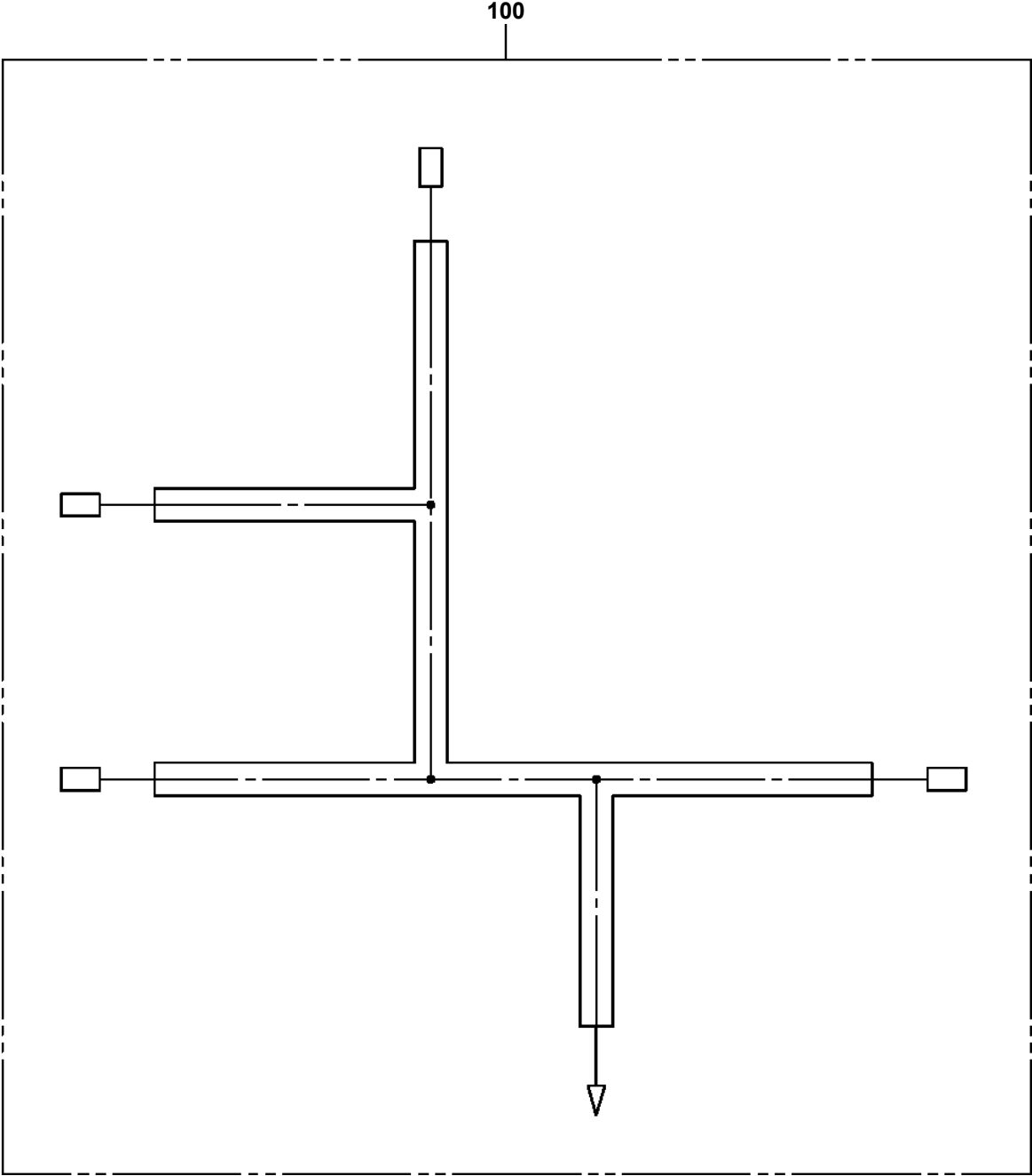
DT-720-1-43500 LOWER,ISUZU TKG-FRR90S1-JANYN-M
PF1070037-00 ROPE,WIRE (FOR RIGGING:12X2.5M)



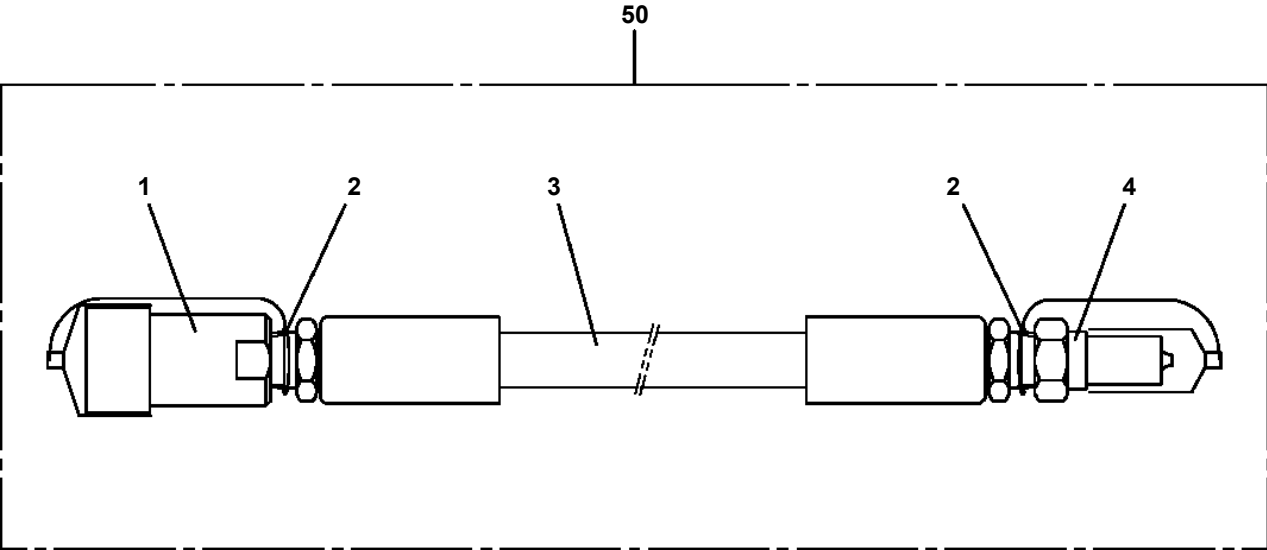
DT-720-1-43500 LOWER,ISUZU TKG-FRR90S1-JANYN-M
PH5031762-00 HARNESS (OUTSIDE CAB)



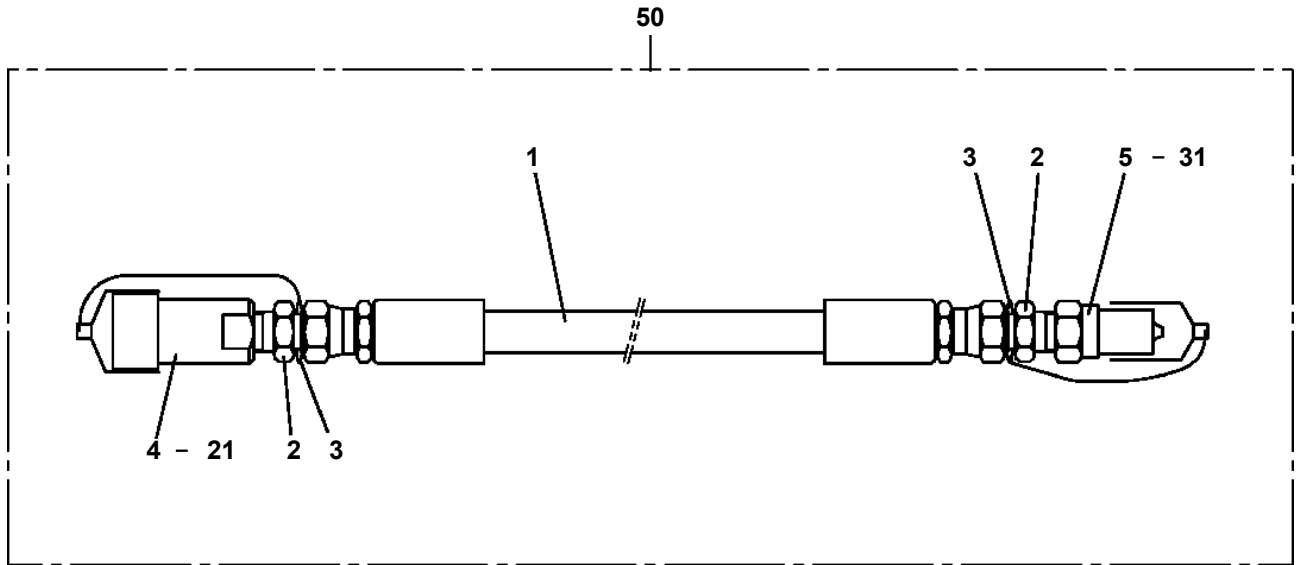
DT-720-1-43500 LOWER,ISUZU TKG-FRR90S1-JANYN-M
PH5034424-00 HARNESS



**DT-720-1-43500 LOWER,ISUZU TKG-FRR90S1-JANYN-M
PH5100020-00 HOSE ASSY (FOR BRAKER TANK)**



**DT-720-1-43500 LOWER,ISUZU TKG-FRR90S1-JANYN-M
PH5100030-00 HOSE ASSY (FOR LOW PRESSURE)**



CLICK HERE TO **DOWNLOAD** THE COMPLETE MANUAL

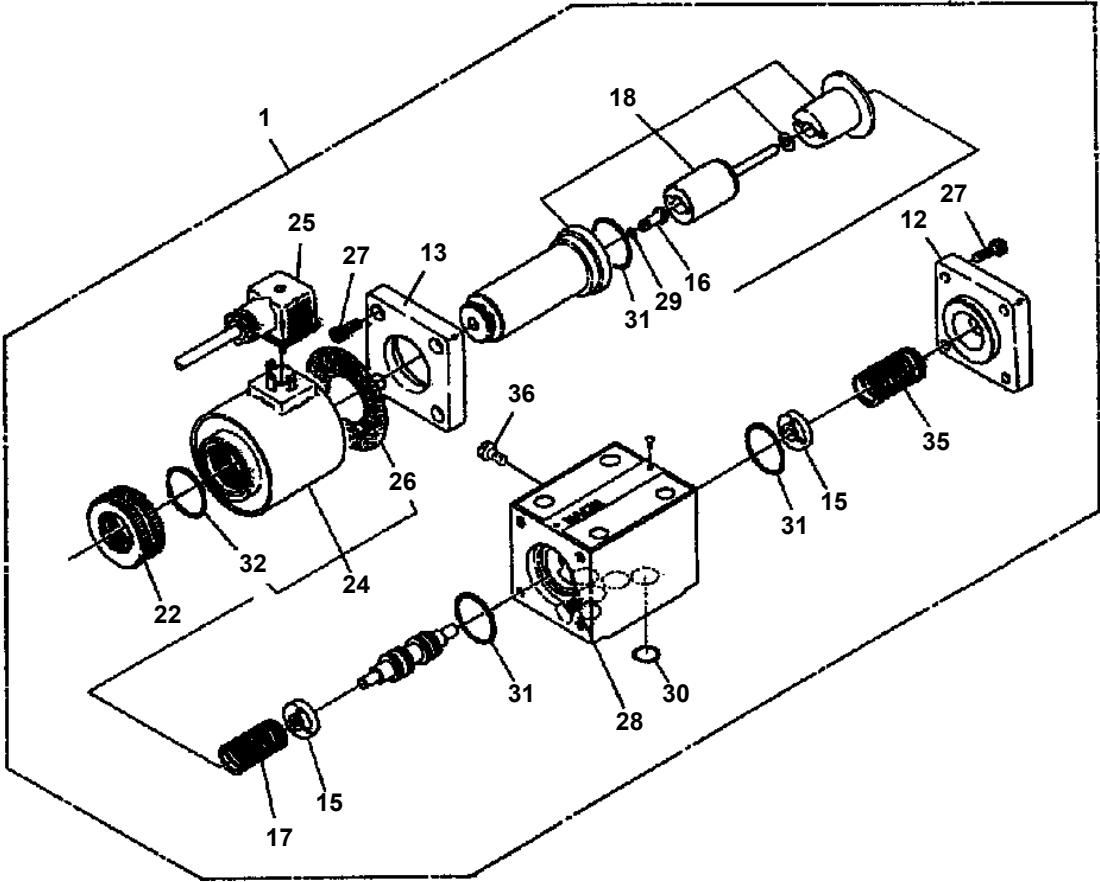
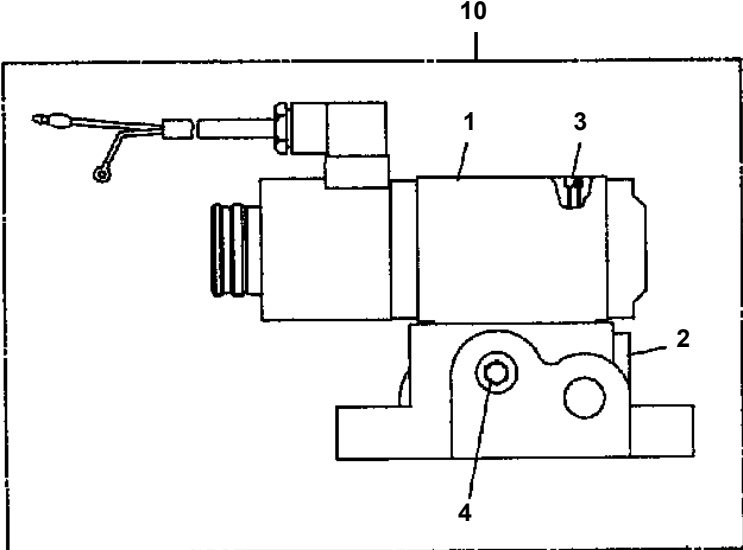
- Thank you very much for reading the preview of the manual.
- You can download the complete manual from: www.heydownloads.com by clicking the link below



- Please note: If there is no response to CLICKING the link, please download this PDF first and then click on it.

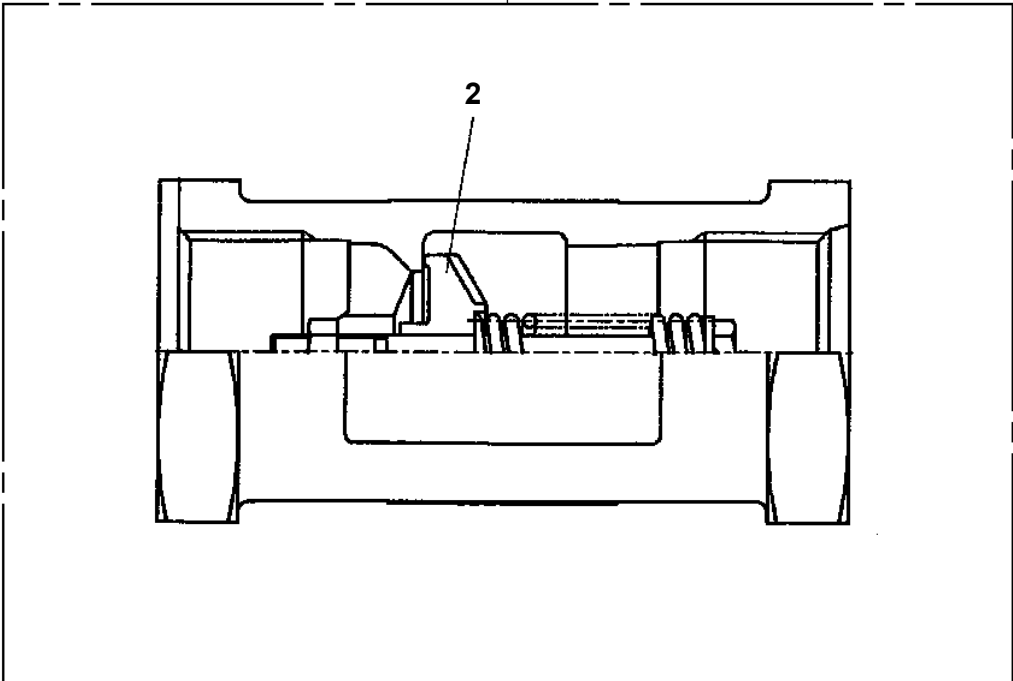
CLICK HERE TO **DOWNLOAD** THE COMPLETE MANUAL

DT-720-1-43500 LOWER,ISUZU TKG-FRR90S1-JANYN-M
PI1120002-01 VALVE,SOLENOID

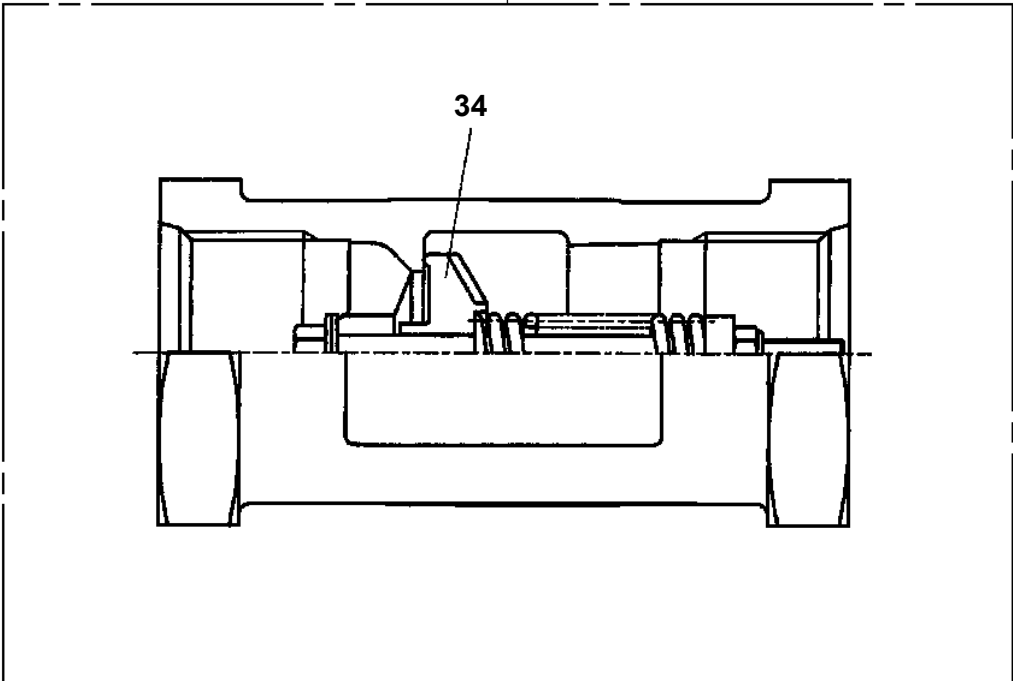


DT-720-1-43500 LOWER,ISUZU TKG-FRR90S1-JANYN-M
PI1140229-00 VALVE,CHECK

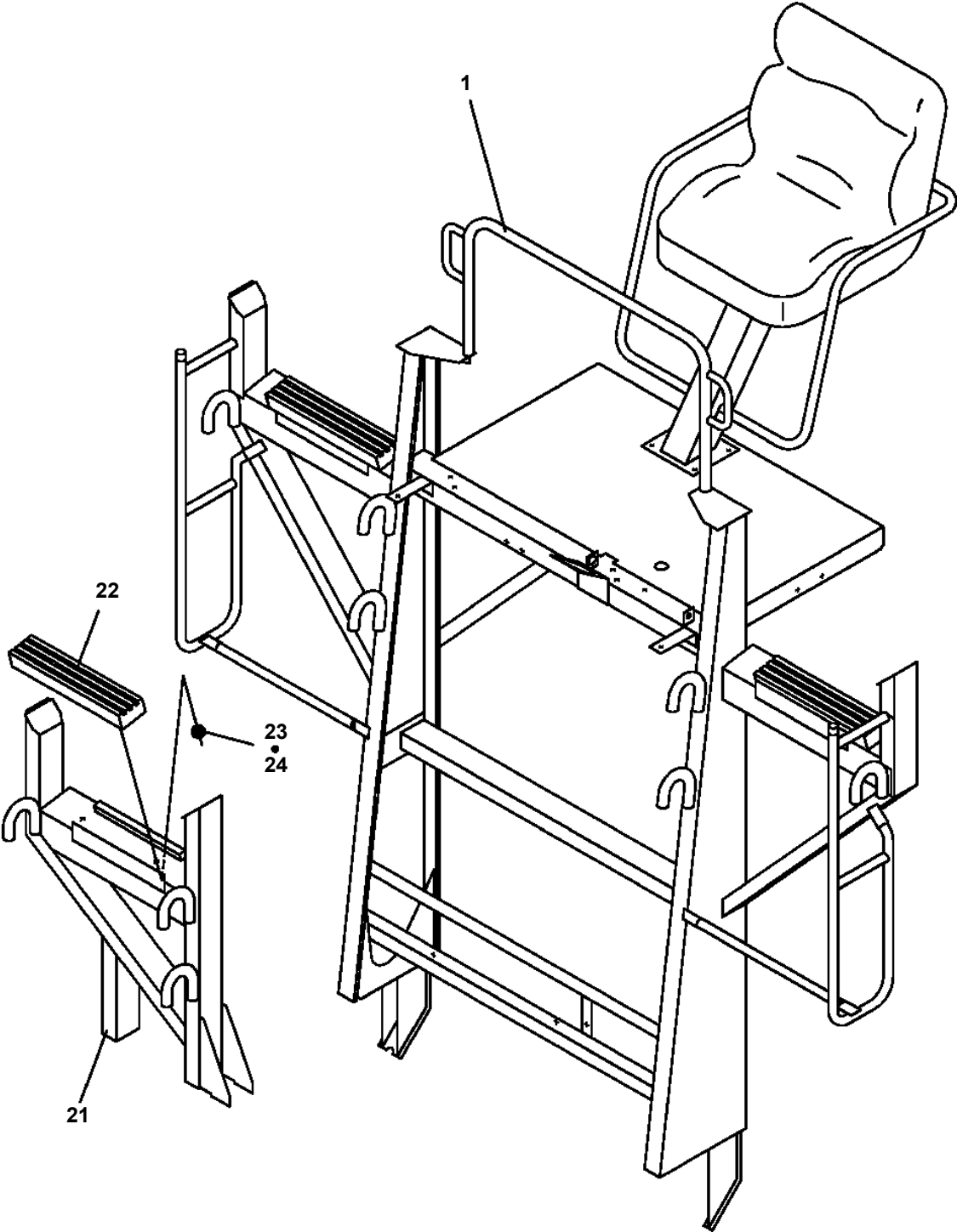
100



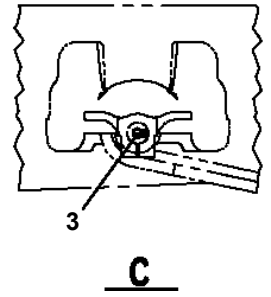
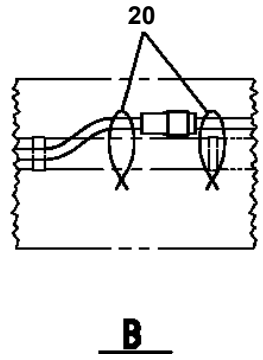
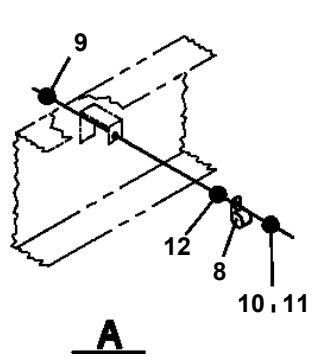
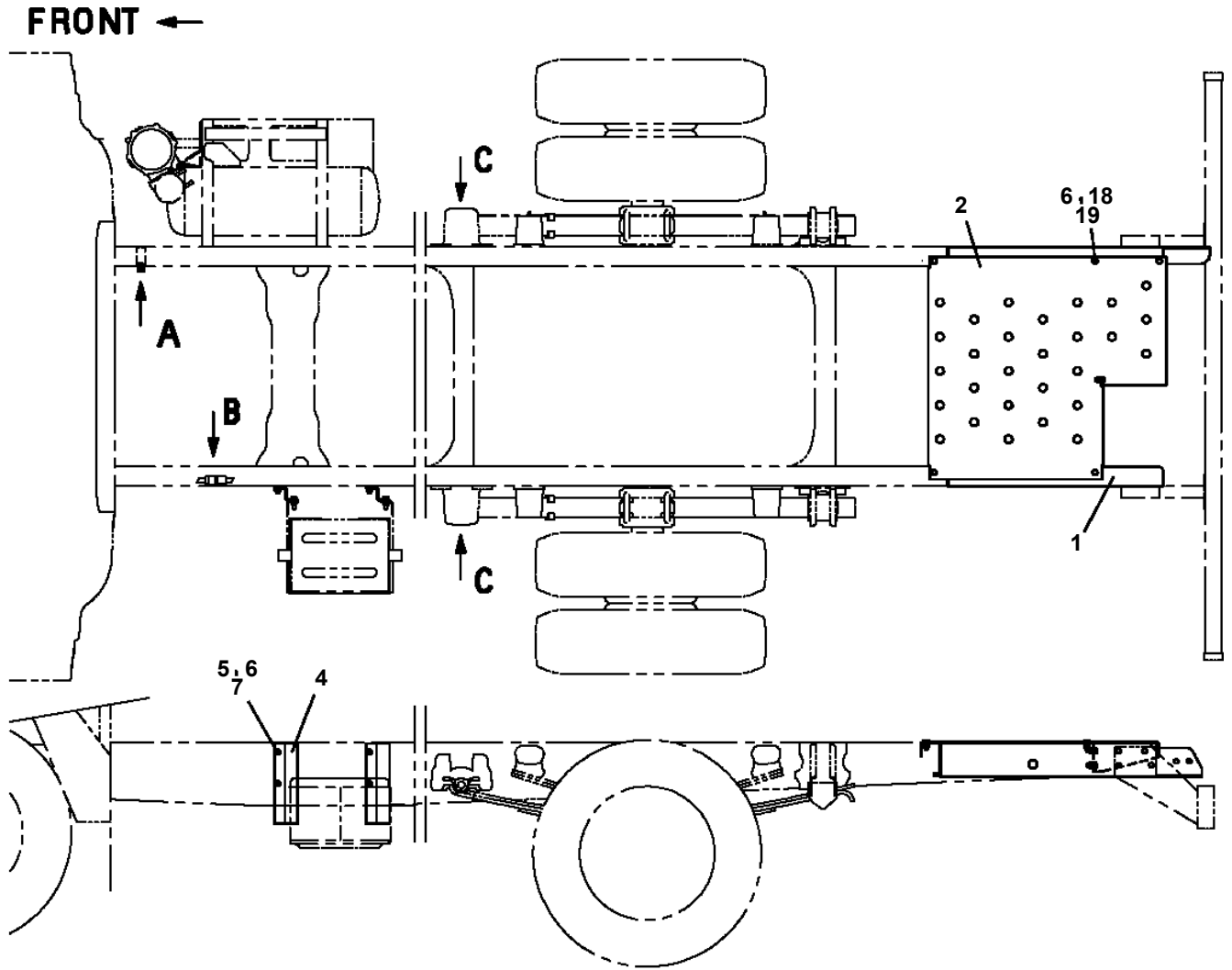
100



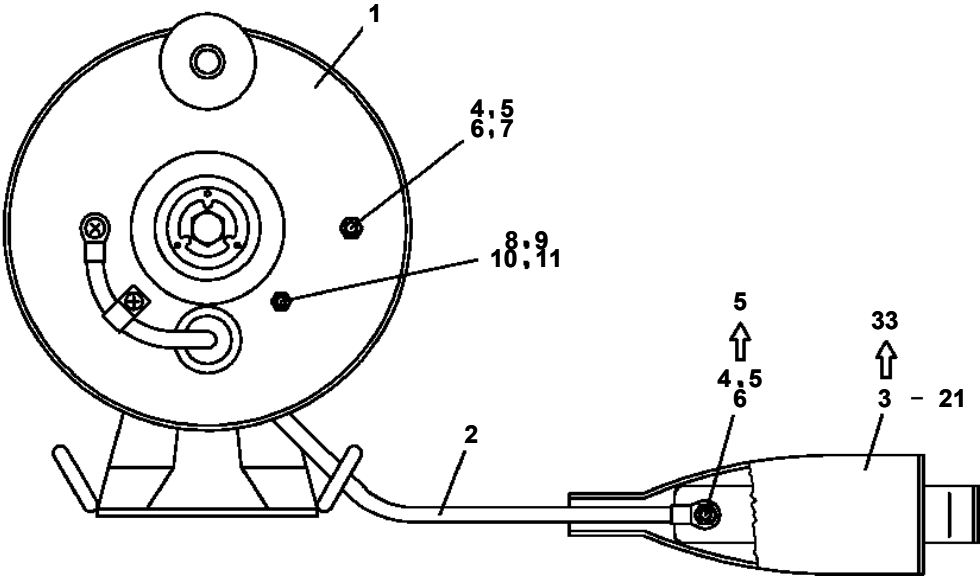
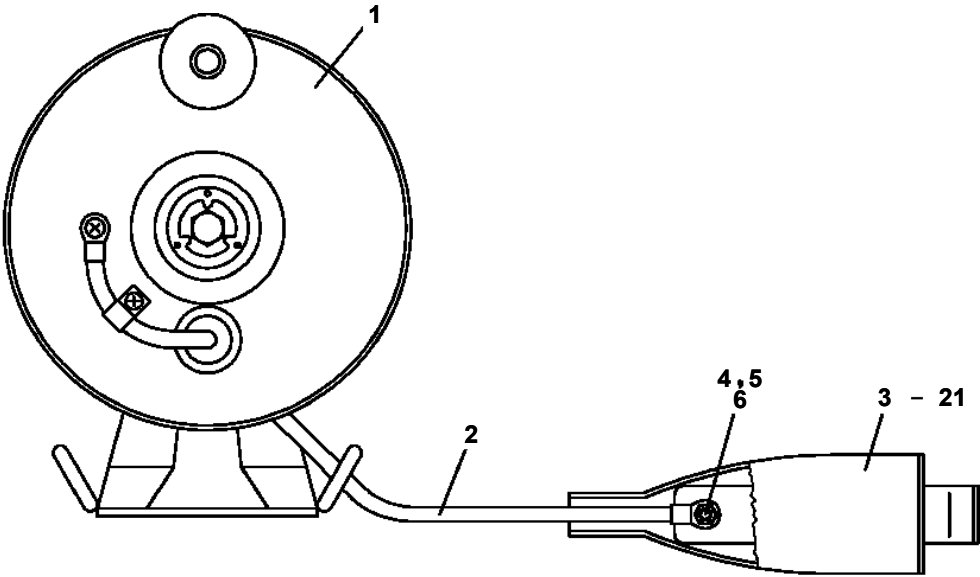
**DT-720-1-43500 LOWER,ISUZU TKG-FRR90S1-JANYN-M
PK1120209-00 SWING TABLE**



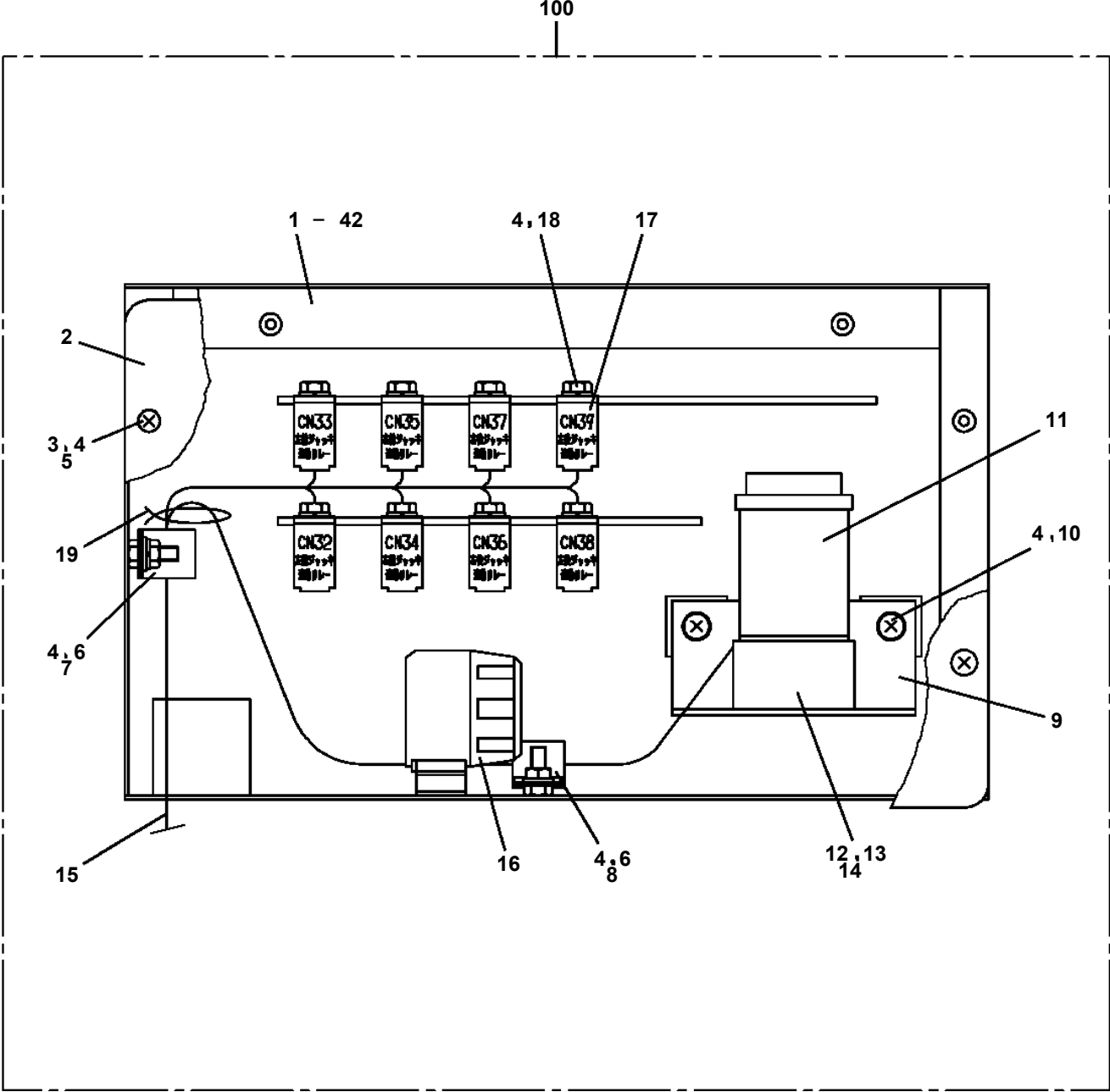
DT-720-1-43500 LOWER, ISUZU TKG-FRR90S1-JANYN-M
PM5150710-00 MODIFICATION ASSY



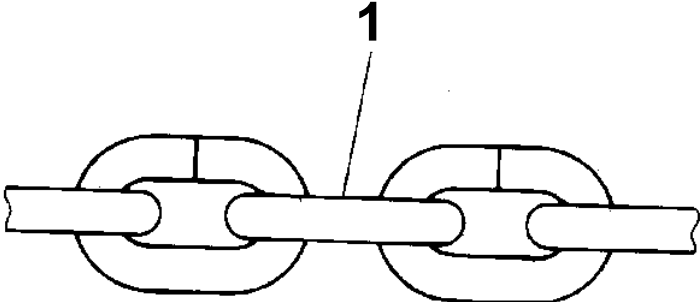
DT-720-1-43500 LOWER, ISUZU TKG-FRR90S1-JANYN-M
PN1350111-02 REEL, CORD



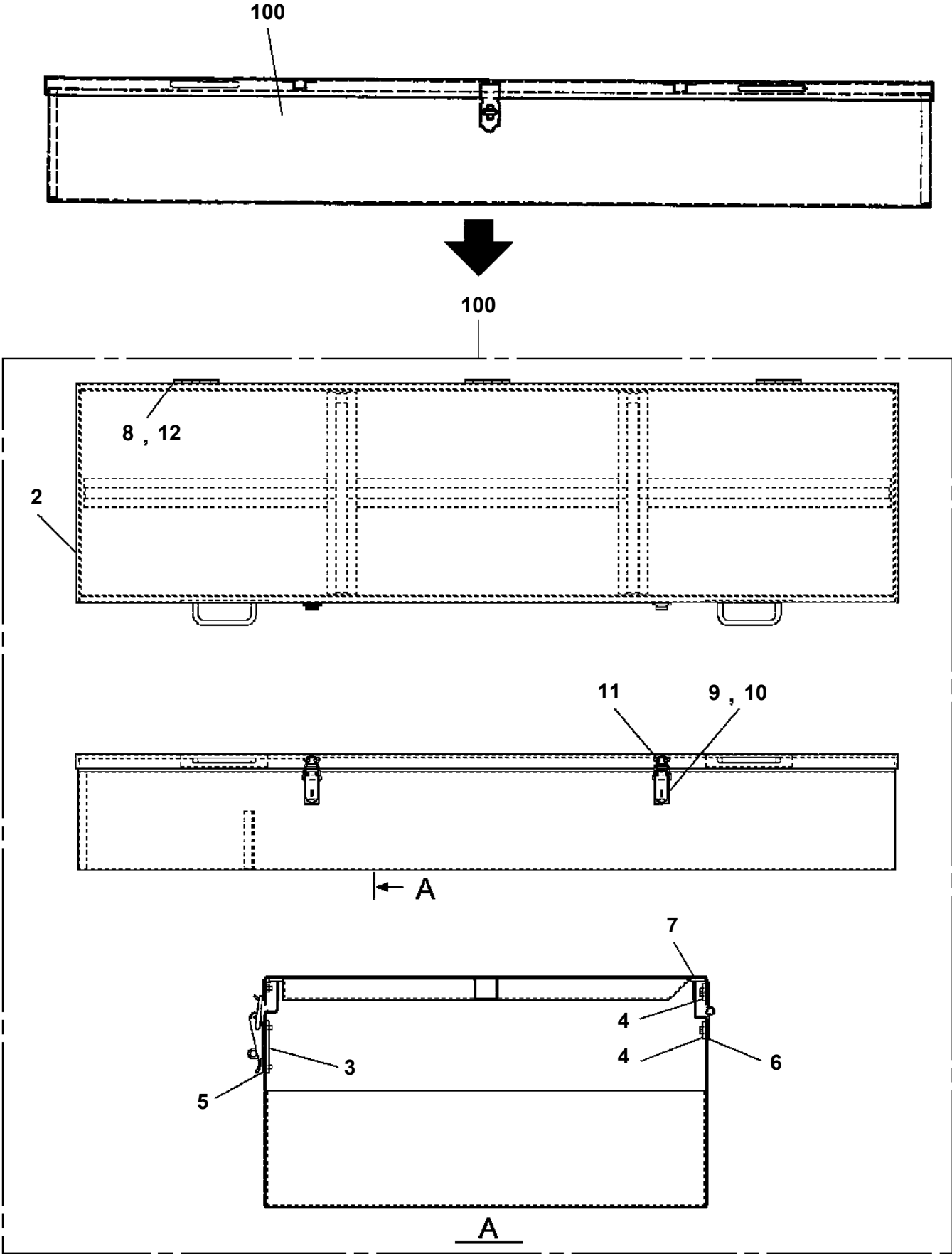
DT-720-1-43500 LOWER,ISUZU TKG-FRR90S1-JANYN-M
PR5100098-00 RELAY BOX ASSY



DT-720-1-43500 LOWER,ISUZU TKG-FRR90S1-JANYN-M
PW1100000-00 CHAIN

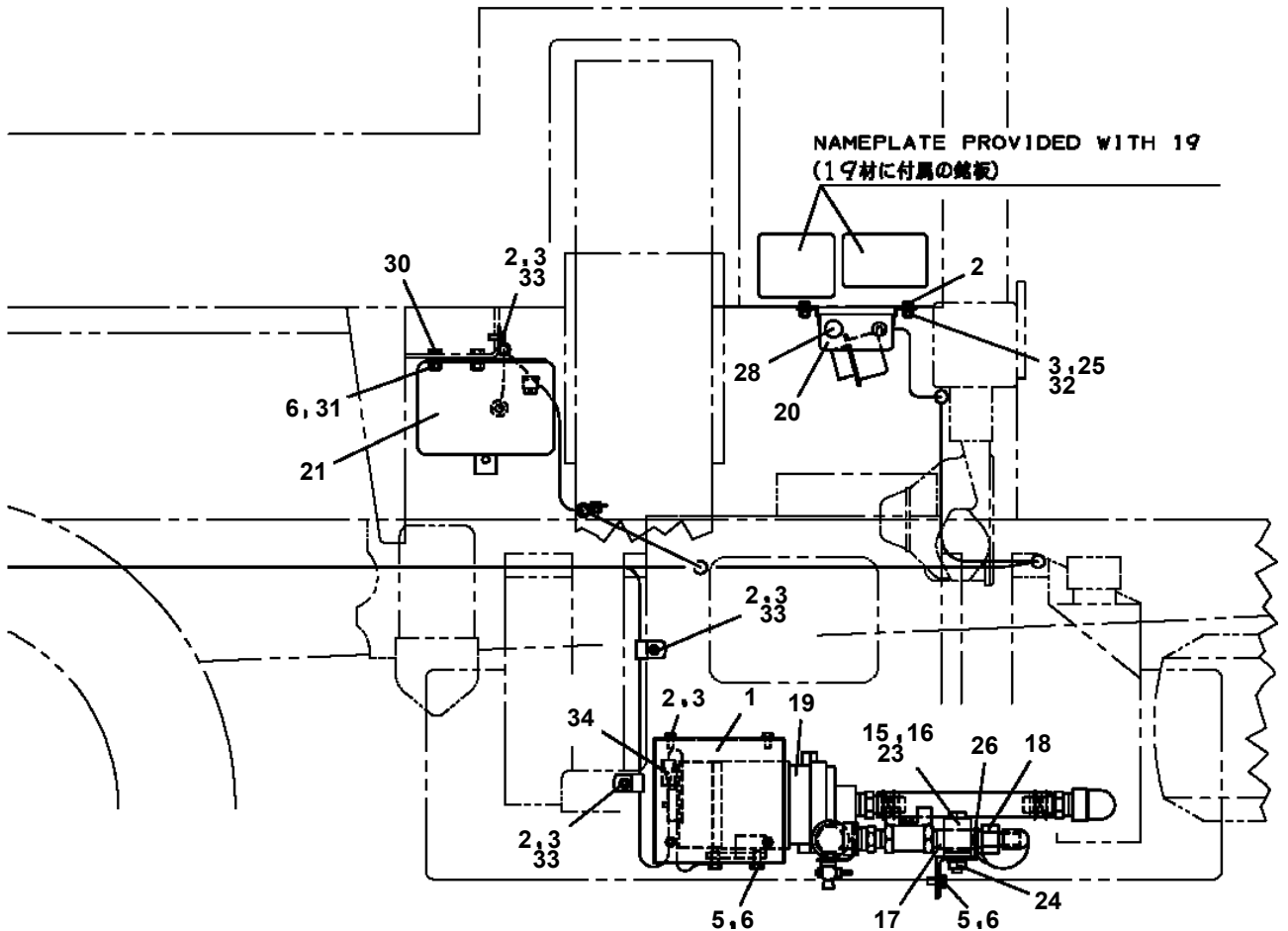
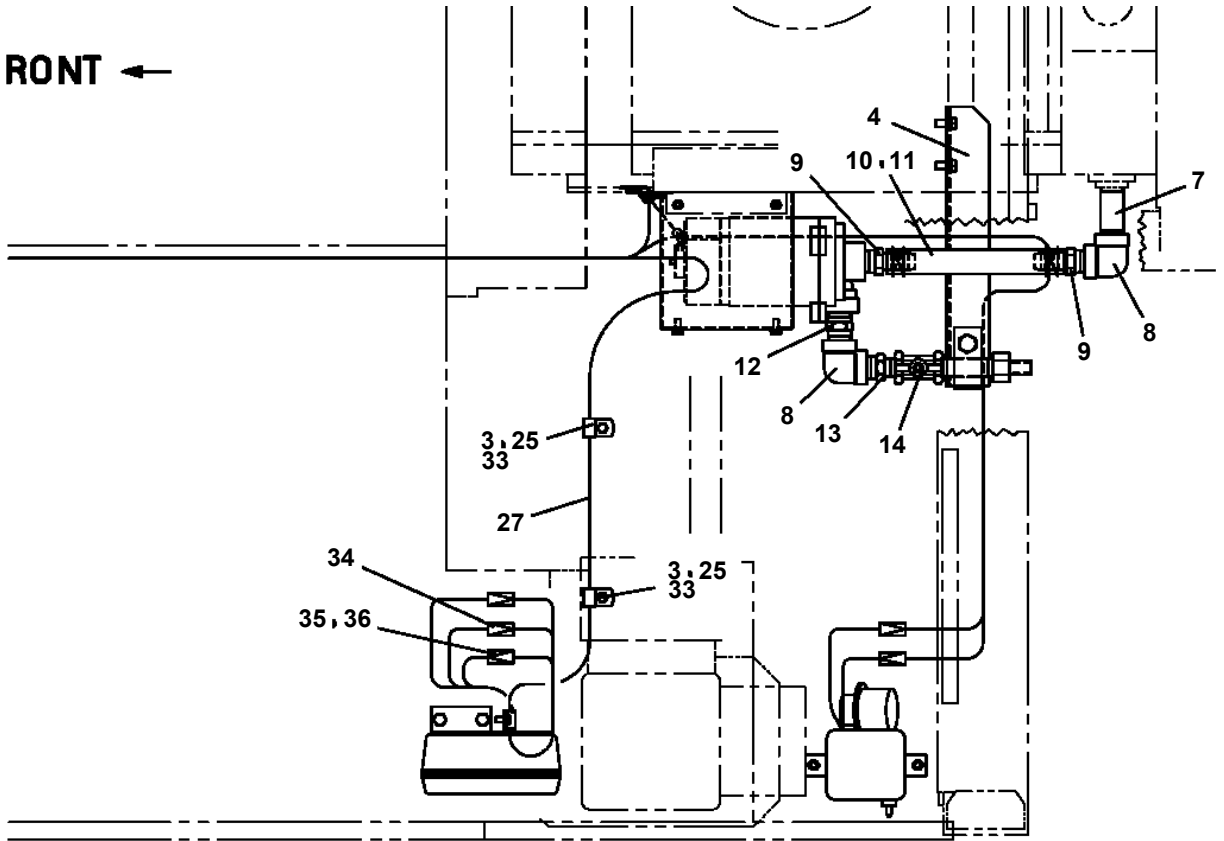


DT-720-1-43500 LOWER,ISUZU TKG-FRR90S1-JANYN-M
PX1350415-01 BOX,TOOL



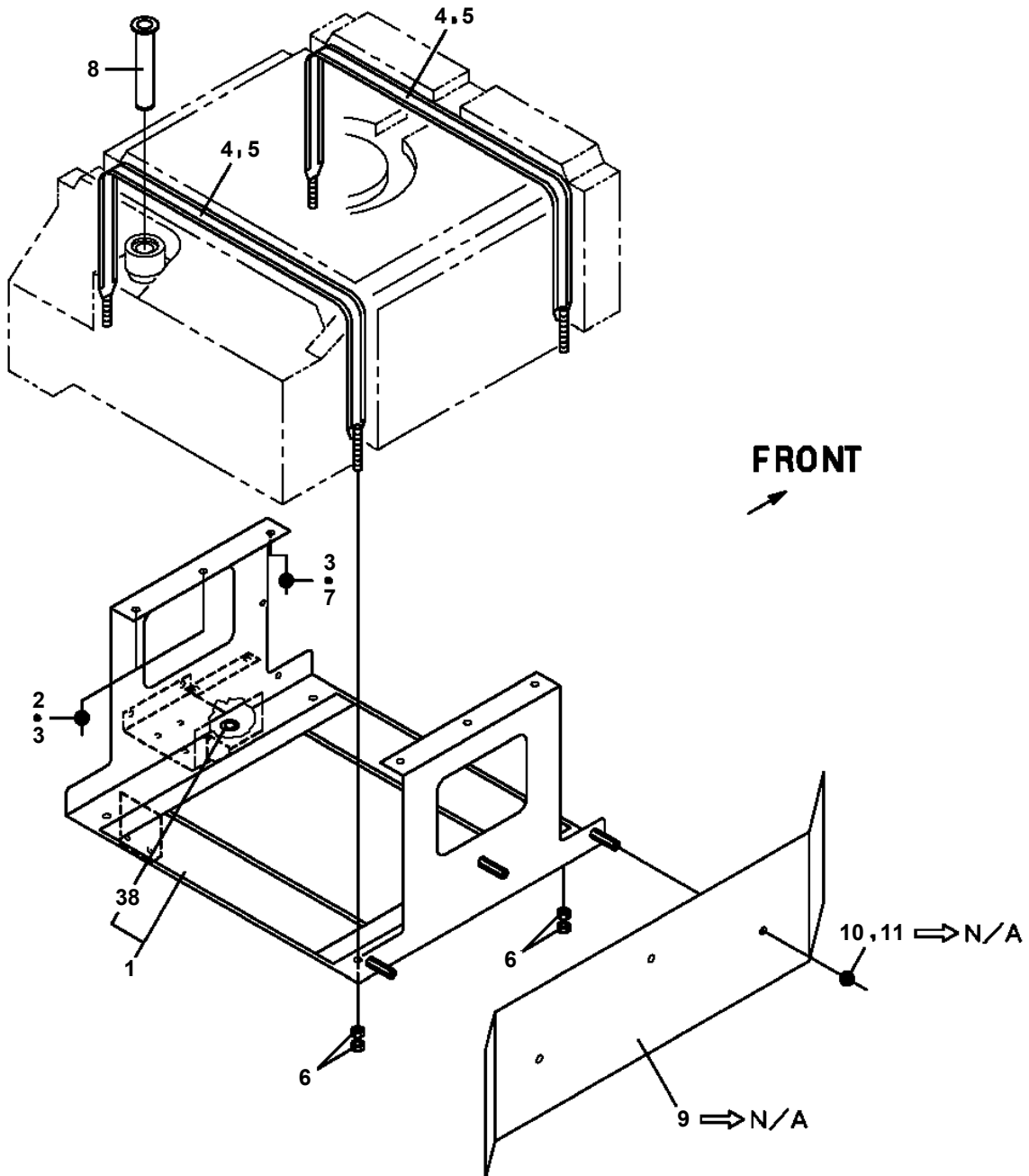
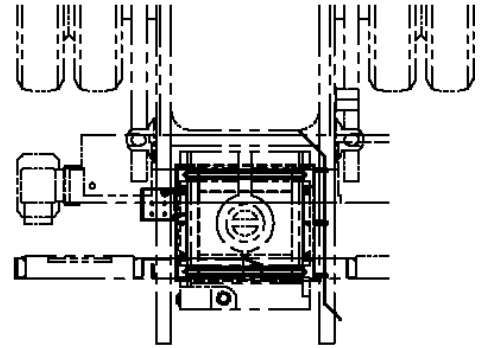
**DT-720-1-43500 LOWER,ISUZU TKG-FRR90S1-JANYN-M
PX5590025-02 MOUNT ASSY,PUMP (WATER)**

FRONT ←



DT-720-1-43500 LOWER,ISUZU TKG-FRR90S1-JANYN-M
PX5750004-02 MOUNT ASSY,TANK (WATER)

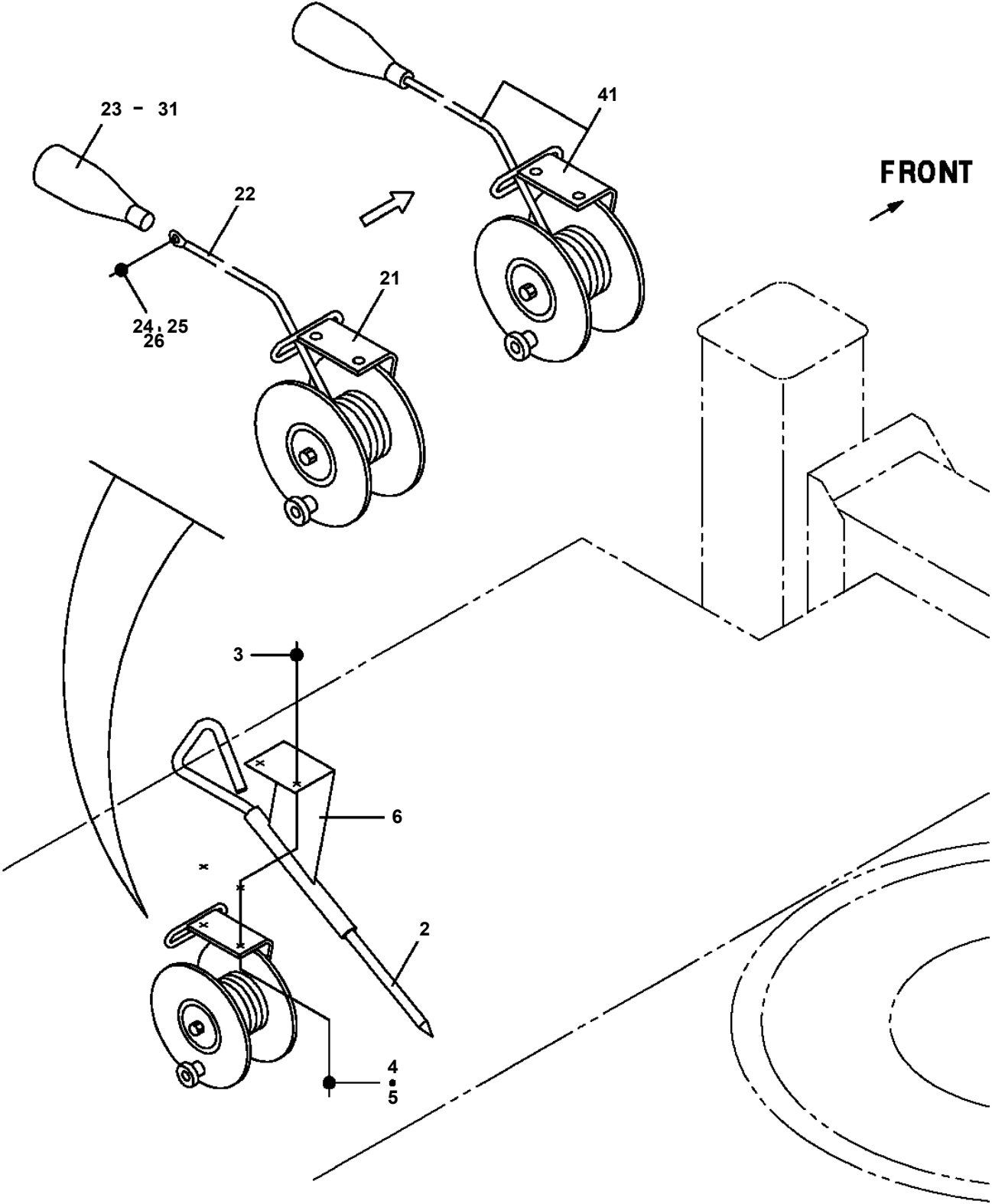
FRONT



DT-720-1-43500 LOWER,ISUZU TKG-FRR90S1-JANYN-M

Pos No.	Parts No	Parts Name	Qty	Unit	Technical Data	Serial No (Start)	Serial No
1	36651610000	PUMP,HYDRAULIC	1				
2	80430620800	JOINT	1				
3	91002803800	O-RING	4		1B P38		
4	37002428060	HOSE	1		L=2800		
5	37000710090	CLAMP ASSY	3		25		
6	32730450010	JOINT	1				
7	80305050130	FITTING,TEE	2				
8	81408000210	PIPE,STEEL	1	M	15X2.0T		
9	80302010180	FITTING	1		KCT15-030N		
10	36601080000	VALVE,RELIEF	1				
11	90101206060	BOLT	2		M6X60		
12	90201200600	NUT	2		M6		
13	90302040601	WASHER,SPRING	2		6		
14	90303070601	WASHER,PLAIN	2		6		
15	80303030180	FITTING,ELBOW	3		KLN15-030N		
16	81408000210	PIPE,STEEL	1	M	15X2.0T		
17	37000913630	JOINT	1				
18	42340013100	JOINT	1				
19	37002426270	HOSE	1		L=550		
20	80430450450	JOINT	1		YL502		
21	80302010200	FITTING	1		KCT15-040N		
22	81408000210	PIPE,STEEL	1	M	15X2.0T		
23	42340240370	JOINT	1		RT,R1/2-R1/2-R3/8		
24	80315020180	JOINT,BUSHING	1				
25	36671020000	FILTER,OIL	1				
26	80306030100	JOINT,NIPPLE	1				
27	37000910600	JOINT	1				
28	37002415800	HOSE	1		L=750		
29	37002415640	HOSE	1		L=425		
30	37000910760	JOINT	1				
31	80430450650	JOINT	1				
32	36640310000	VALVE,SOLENOID	1				
33	(*****)	COOLER,OIL (MOUNT)	1				
34	32730450020	SUPPORT	1				
35	90101210030	BOLT	10		M10X30		
36	90302041001	WASHER,SPRING	12		10		
37	90303071001	WASHER,PLAIN	12		10		
38	32730450030	SUPPORT	1				
39	32730450040	SUPPORT	1				
40	32730450050	JOINT	2				
41	91801300530	CLIP	8		D=48-53		
42	37002503090	HOSE	1		L=1000		
43	37002505090	HOSE	1		L=670		
45	36620400000	VALVE,CHECK	1				
46	32730450070	JOINT	1				
47	90101210045	BOLT	2		M10X45		
48	90201201000	NUT	2		M10		
51	32730450090	SUPPORT	1				
53	(*****)	ELEC.ASSY (OP.,OIL COOLER	1				
54	80302090322	FITTING	1		KCO28-080N		
55	37000707810	CLAMP ASSY	1		18		
56	32730450100	SHAFT	1				
57	(*****)	OPE.ASSY,ACCELERATOR (OPTION,OIL)	1				
58	32730450110	JOINT	1				
59	81408000210	PIPE,STEEL	1	M	15X2.0T		
64	32730450120	JOINT	1				
71	91002801800	O-RING	1		1B P18		

**DT-720-1-43500 LOWER,ISUZU TKG-FRR90S1-JANYN-M
PY1650088-01 EARTHING DEVICE**



CLICK HERE TO **DOWNLOAD** THE COMPLETE MANUAL

- Thank you very much for reading the preview of the manual.
- You can download the complete manual from: www.heydownloads.com by clicking the link below



- Please note: If there is no response to CLICKING the link, please download this PDF first and then click on it.

CLICK HERE TO **DOWNLOAD** THE COMPLETE MANUAL