

TC-4255-2-00400 FOR AUSTRALIA(FOR GT-600EX-1)

PB1000712-00 HYDRAULIC PRESSURE GENERATING SYSTEM

PC1000618-00 OUTRIGGER SYSTEM

PD1000611-00 SWING SYSTEM

PK1000769-02 FRAME

PL1000649-00 CONTROL DEVICES

PN1000655-00 ELECTRIC EQUIPMENT

PO1000155-01 INDICATION PLATES

PQ1000242-01 DRIVING POWER GENERATING SYSTEM

PR1000161-00 DRIVING POWER TRANSMISSION SYSTEM

PS1000185-00 STEERING SYSTEM

PT1000169-00 BRAKE SYSTEM

PU1000157-00 SUSPENSION

PW1000097-02 ACCESSORIES & TOOLS

PX1001206-00 MOUNTING PARTS

PY1001398-03 OPTIONS

ASSEMBLY

CLICK HERE TO **DOWNLOAD** THE COMPLETE MANUAL

- Thank you very much for reading the preview of the manual.
- You can download the complete manual from: www.heydownloads.com by clicking the link below



- Please note: If there is no response to CLICKING the link, please download this PDF first and then click on it.

CLICK HERE TO **DOWNLOAD** THE COMPLETE MANUAL

TC-4255-2-00400 FOR AUSTRALIA(FOR GT-600EX-1)

Pos No.	Parts No	Parts Name	Qty	Unit	Technical Data	Serial No (Start)	Serial No (E
1	(*****)	OPE.ASSY,ACCELERATOR (CARRIER CAB)	1				
2	(*****)	OPE.ASSY,ACCELERATOR (LOWER)	1				

TC-4255-2-00400 FOR AUSTRALIA(FOR GT-600EX-1)

Pos No.	Parts No	Parts Name	Qty	Unit	Technical Data	Serial No (Start)	Serial No (End)
1	(*****)	OPE.ASSY,STEERING (CARRIER)	1				
2	(*****)	OPE.ASSY,STEERING (CARRIER CAB)	1				
3	(*****)	PIPING ASSY,STEERING	1				

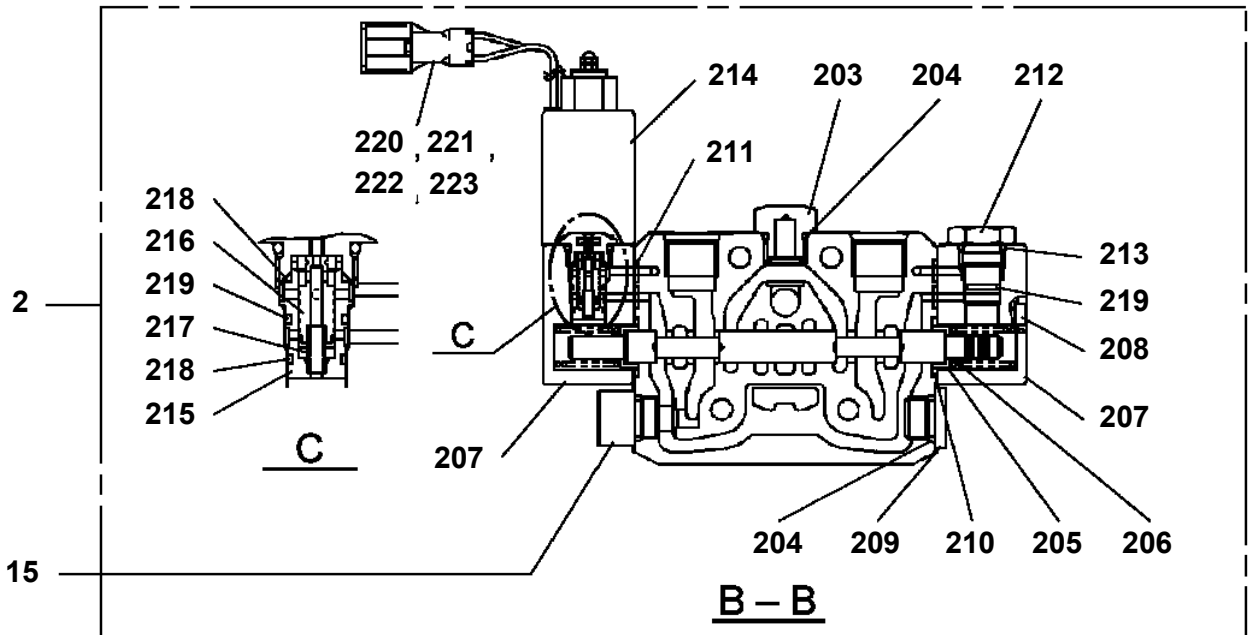
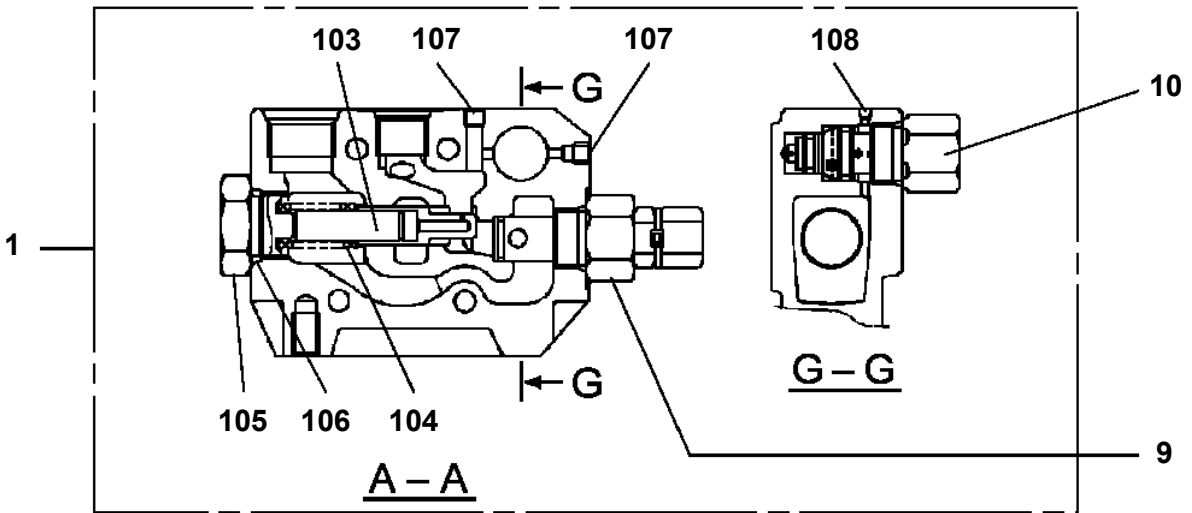
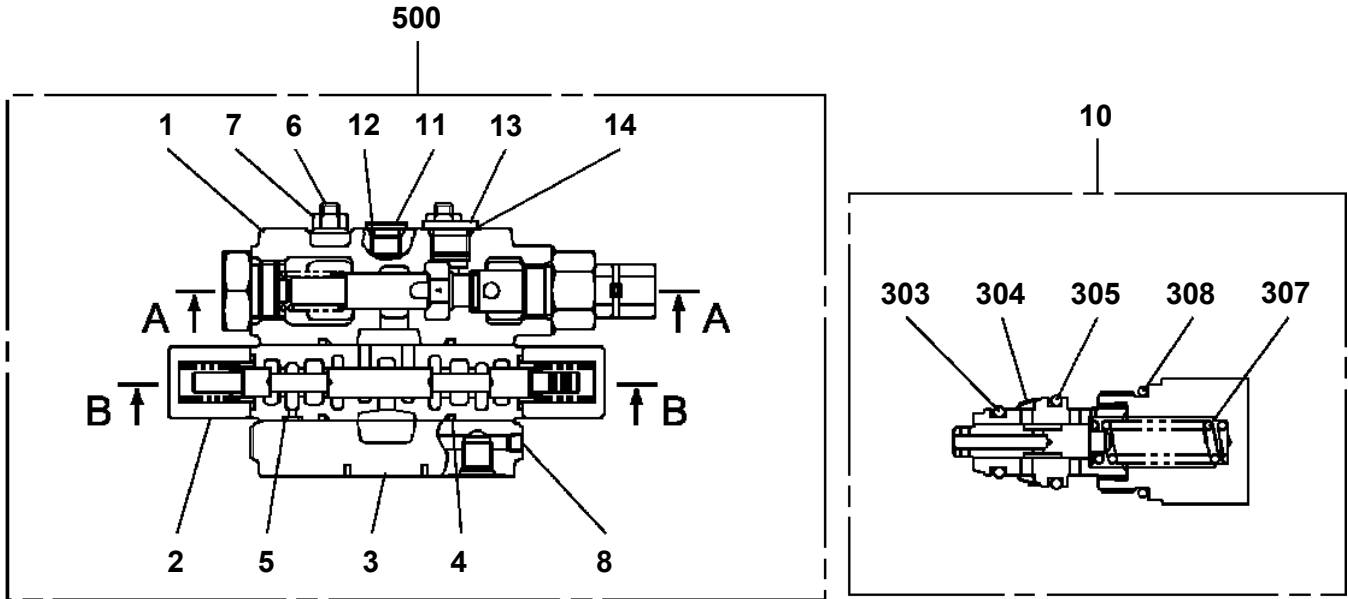
TC-4255-2-00400 FOR AUSTRALIA(FOR GT-600EX-1)

Pos No.	Parts No	Parts Name	Qty	Unit	Technical Data	Serial No (Start)	Serial No (End)
1	(*****)	BOX,TOOL	1				
4	(*****)	STEERING ASSY (EMERGENCY)	1				
5	(*****)	MOUNT (GAUGE CONNECTOR)	1				
6	35620432600	CAB,OPERATOR (WIPER BLADE ASSY)	1				
7	(*****)	INFLATOR,AIR	1				
8	(*****)	COCK,DRAIN (MOUNT)	1				
9	(*****)	MOUNT,LAMP (FOG)	1				

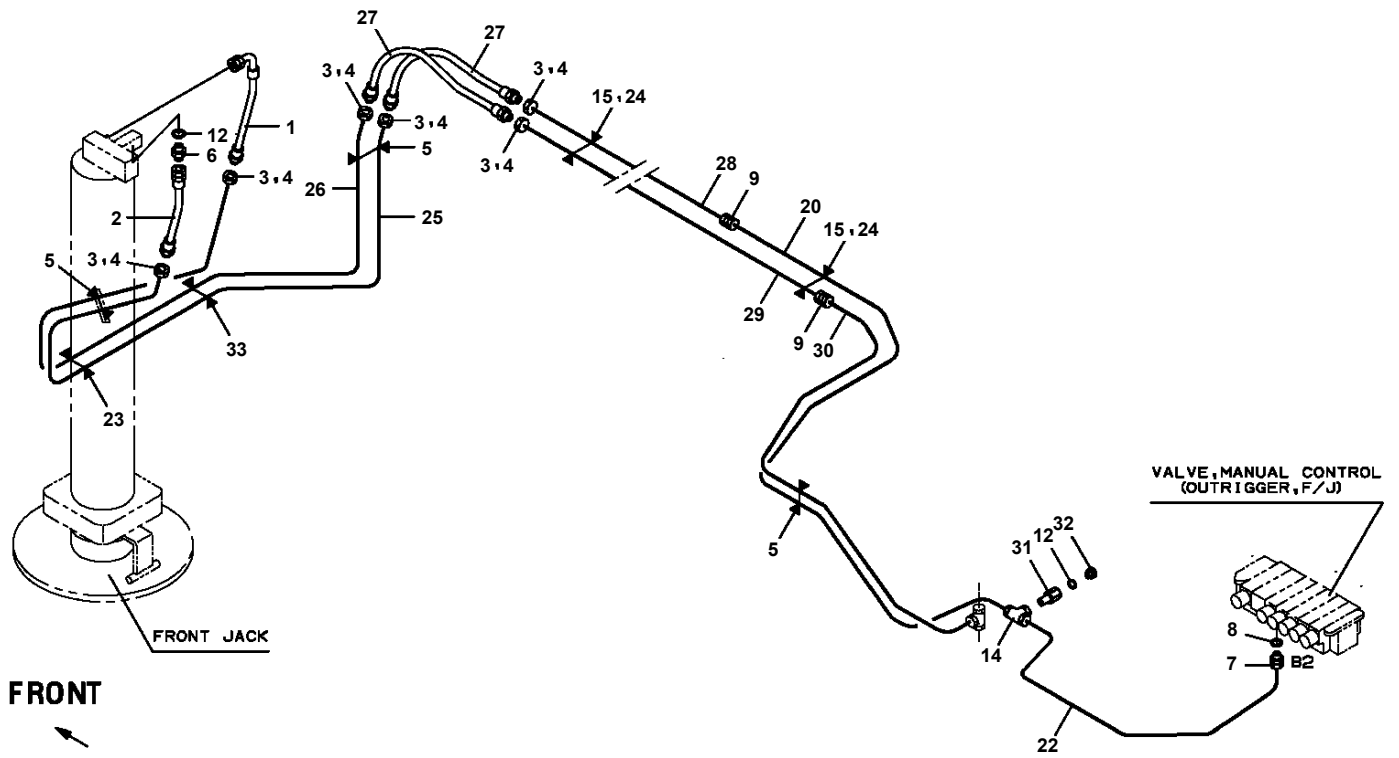
TC-4255-2-00400 FOR AUSTRALIA(FOR GT-600EX-1)

Pos No.	Parts No	Parts Name	Qty	Unit	Technical Data	Serial No (Start)	Serial No (End)	Rem
1	36652615010	CONTROL ASSY (FRONT)	1					
2	36652615080	CONTROL ASSY (REAR)	1					
4	36654455010	ROTARY ASSY	1					
5	36654455020	ROTARY ASSY	1					
6	36653285040	PISTON ASSY(CONTROL)	2					
7	36652615210	HANGER ASSY (FRONT)	1					
8	36652615230	HANGER ASSY (REAR)	1					
9	36652615240	SHAFT ASSY (FRONT)	1					
10	36652615310	SHAFT ASSY (REAR)	1					
13	36652615420	COVER	2					
14	36652615390	COUPLING	1					
18	36652615410	O-RING	2					
19	91001210500	O-RING	2		1A G105			
20	91001209000	O-RING	1		1A G90			
23	90131508016	BOLT,HEXAGON SOCKET	6		M8X16			
24	36653245060	PLUG ASSY	2					
26	91001208500	O-RING	1		1A G85			
27	90131508025	BOLT,HEXAGON SOCKET	4		M8X25			
28	36652615360	RING (ADAPTER)	1					
29	36652615400	COUPLING	1					
30	36654455030	PUMP,GEAR	1					
31	36652615020	COVER ASSY (REGULATOR)	2					
40	36653785010	JOINT,ELBOW	2					
42	36652615030	SPRING	2					
43	36652615040	SPRING	2					
44	36652615050	SPRING	2					
45	36651835480	SPRING	2					
49	91002800700	O-RING	10		1B P7			
50	91001101001	O-RING	2		1A P10A			
51	91002801100	O-RING	4		1B P11			
52	91002802800	O-RING	2		1B P28			
53	36651685090	O-RING	2					
59	36652615060	ORIFICE	2		0.8			
60	36652615070	SHIM (T=1.0)	2					
61	36662065170	SHIM (T=0.5)	2					
62	36662065160	SHIM (T=0.2)	2					
75	36651685110	O-RING	2					
87	90131516040	BOLT,HEXAGON SOCKET	8		M16X40			
88	36654335240	PIN	2					
89	36652615120	O-RING	8					
101	36654455050	ROTARY ASSY	2					
102	36654455080	PLATE (CONTROL)	1					
112	36654455090	PLATE (CONTROL)	1					
127	36654455100	SPRING	2					
130	36654455110	V-RING	2					
131	36653285110	PISTON ASSY	2					
132	36653285120	PISTON ASSY	2					
135	36652615200	SPRING	2					
141	36652615220	RETAINER (CONTROL PISTON)	4					
144	36651835430	ORIFICE	4		0.8			
151	36652615250	SHAFT	1					
152	36652615260	CASE (SEAL)	1					
154	36652615270	SHIM	2					
155	36652615280	BEARING	2					
156	36652615290	BEARING	2					
157	36651835010	SEAL,OIL	1					
158	80602110950	RING,RITAINING	1		95			
159	36652615300	O-RING	1					
161	36652615320	SHAFT	1					
171	36651835130	PLUG	2		3/8			
172	91002801400	O-RING	2		1B P14			
305	36653875050	GEAR	1					
306	36653875060	GEAR	1					

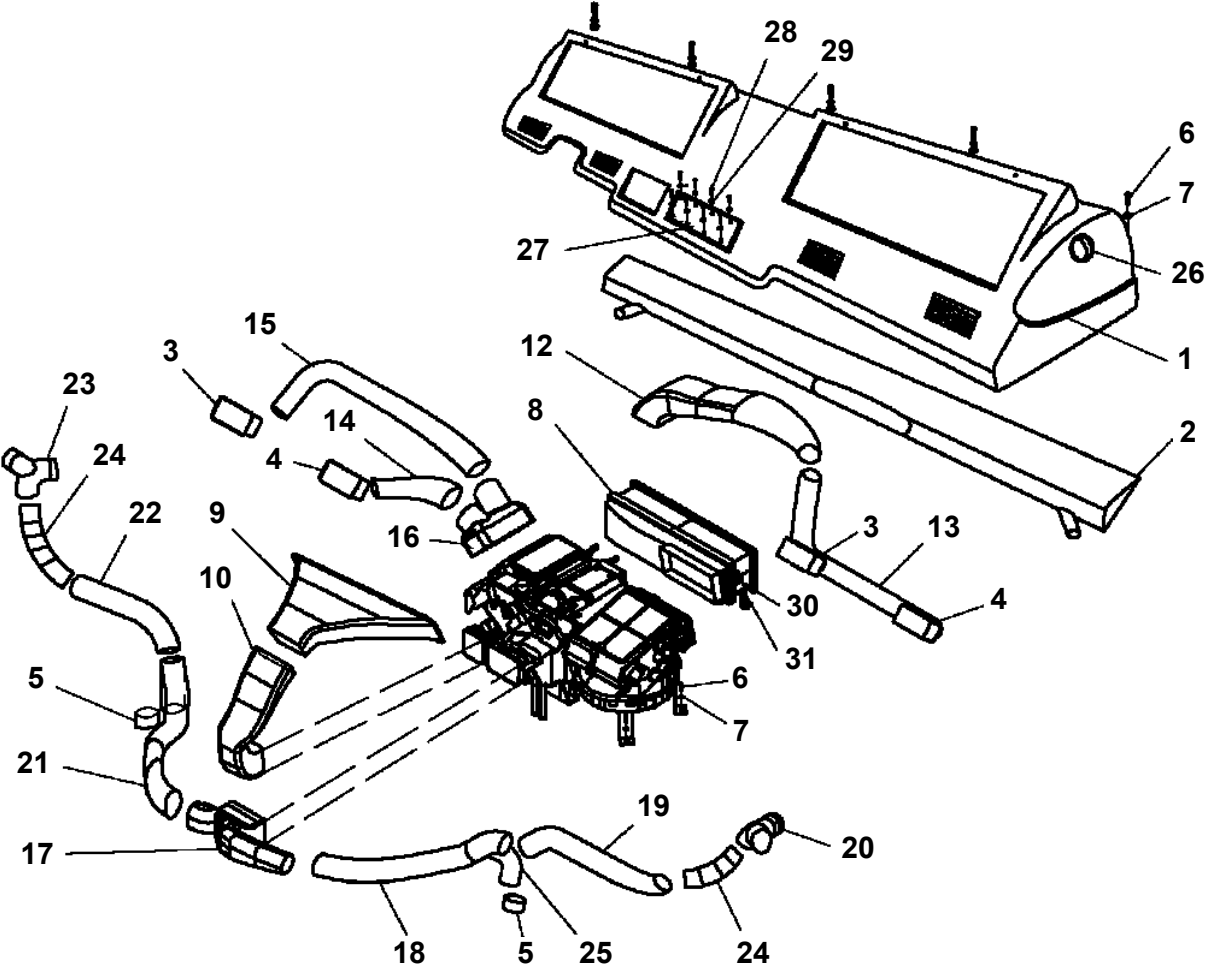
TC-4255-2-00400 FOR AUSTRALIA(FOR GT-600EX-1)
 PB1360035-00 VALVE,PILOT CONTROL



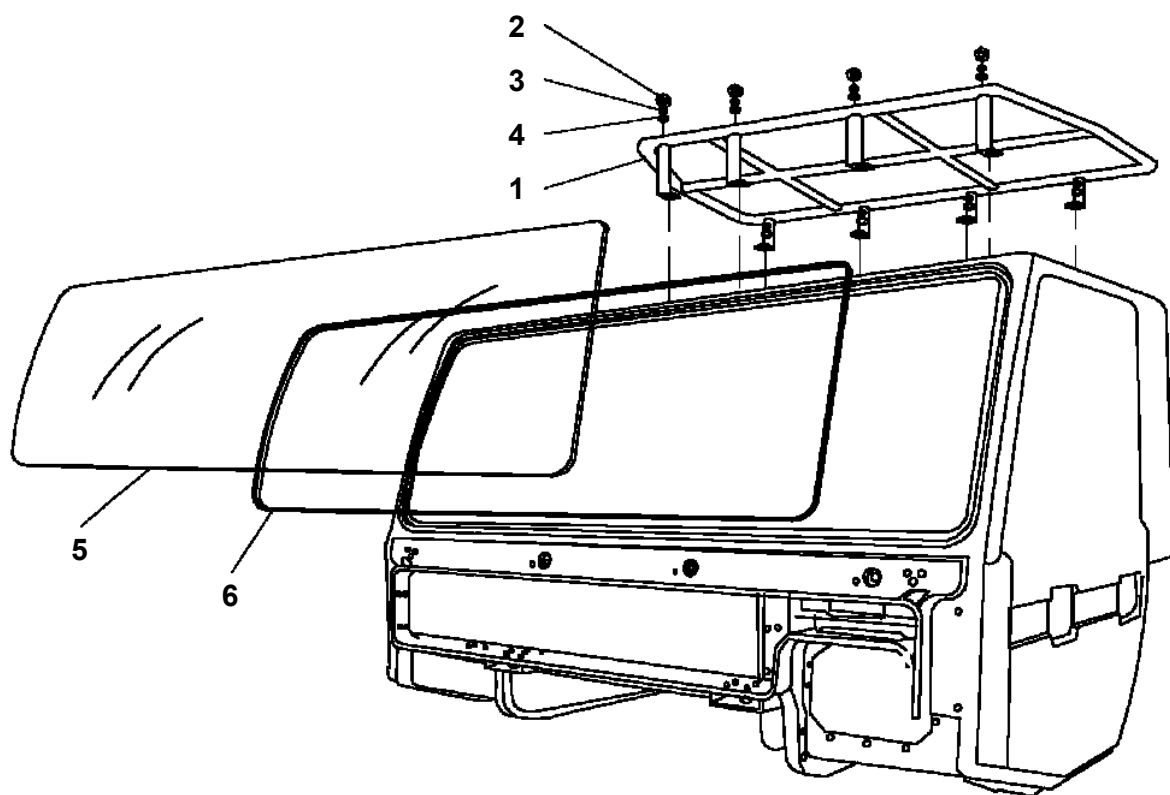
**TC-4255-2-00400 FOR AUSTRALIA(FOR GT-600EX-1)
PC1220144-00 PIPING,FRONT JACK**



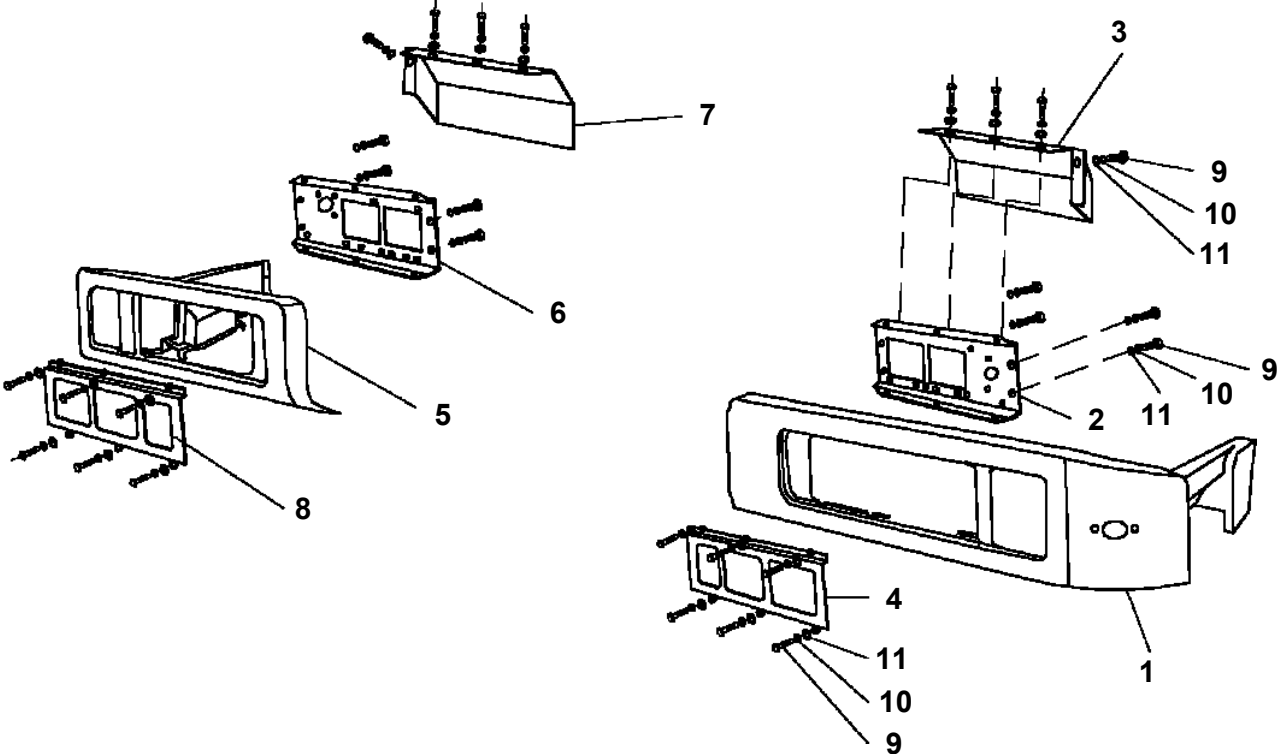
TC-4255-2-00400 FOR AUSTRALIA(FOR GT-600EX-1)
PC5010028-00 CAB ASSY (DASH BOARD)



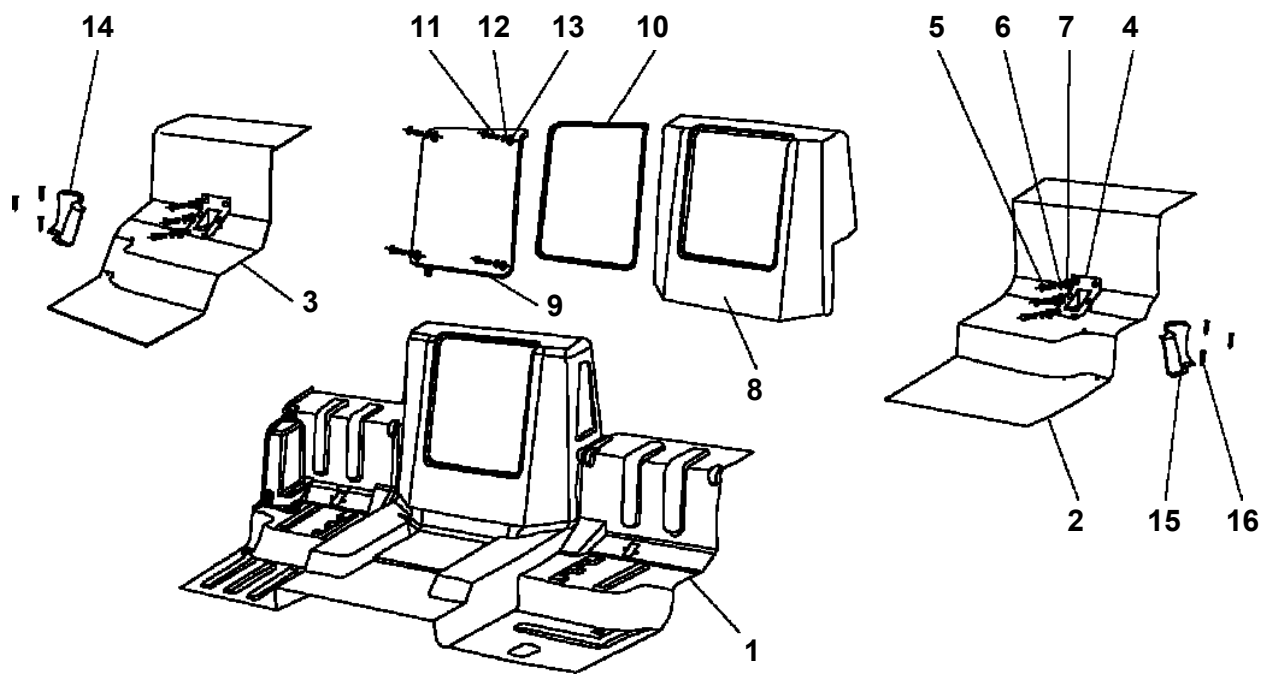
**TC-4255-2-00400 FOR AUSTRALIA(FOR GT-600EX-1)
PC5010038-00 CAB ASSY (FRONT GLASS & ROOF GUARD)**



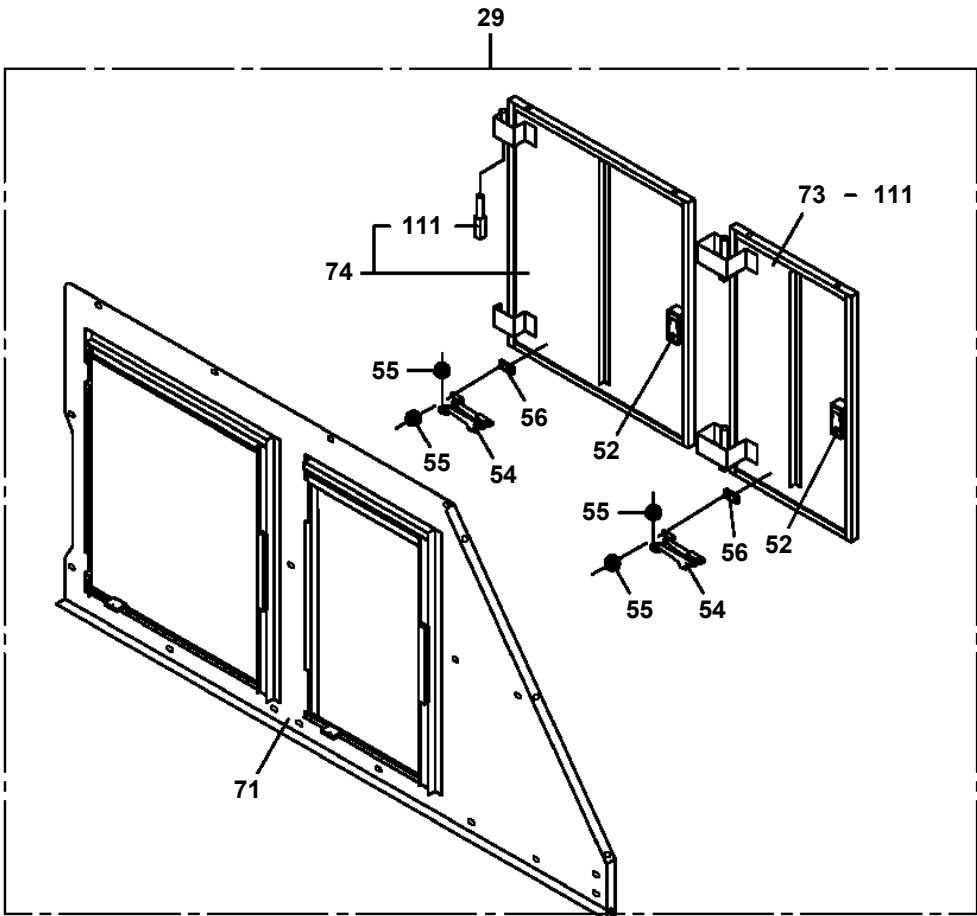
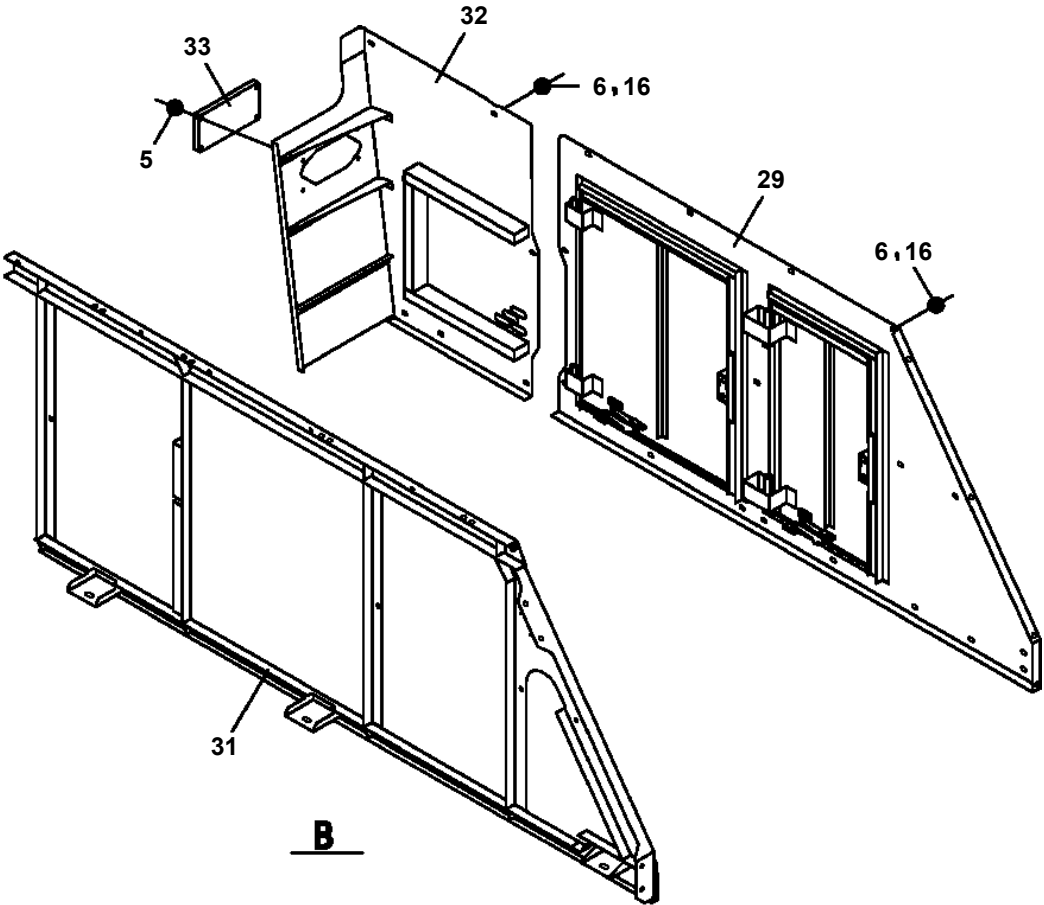
**TC-4255-2-00400 FOR AUSTRALIA(FOR GT-600EX-1)
PC5010043-00 CAB ASSY (BUMPER & LIGHT SUPPORT)**



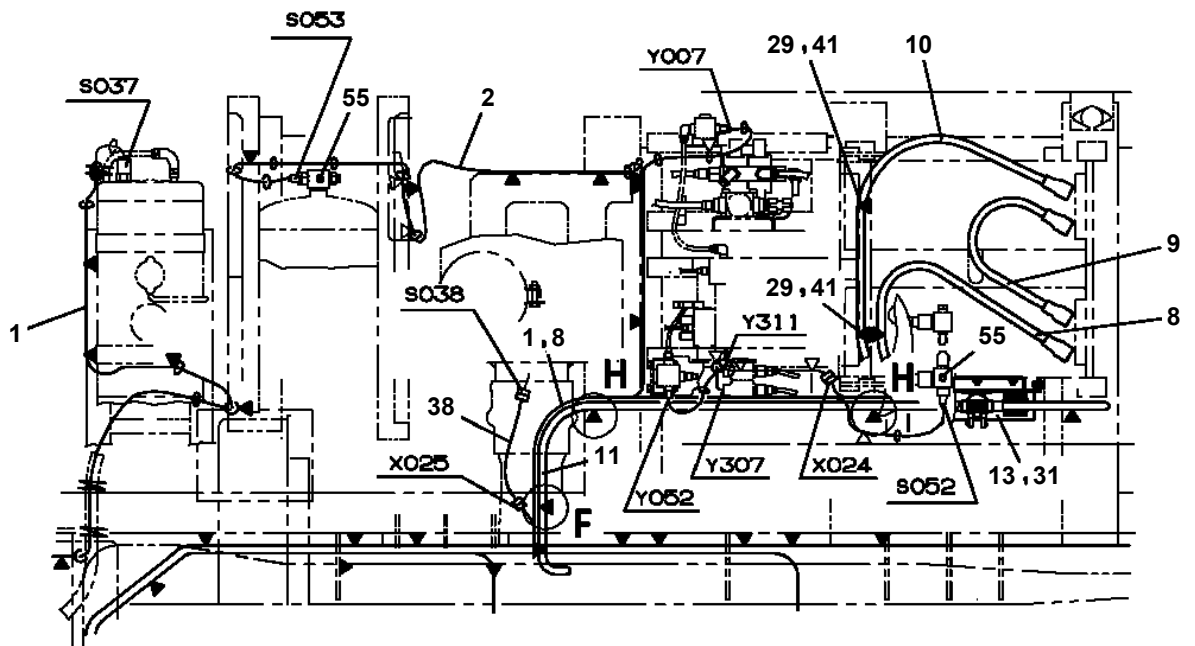
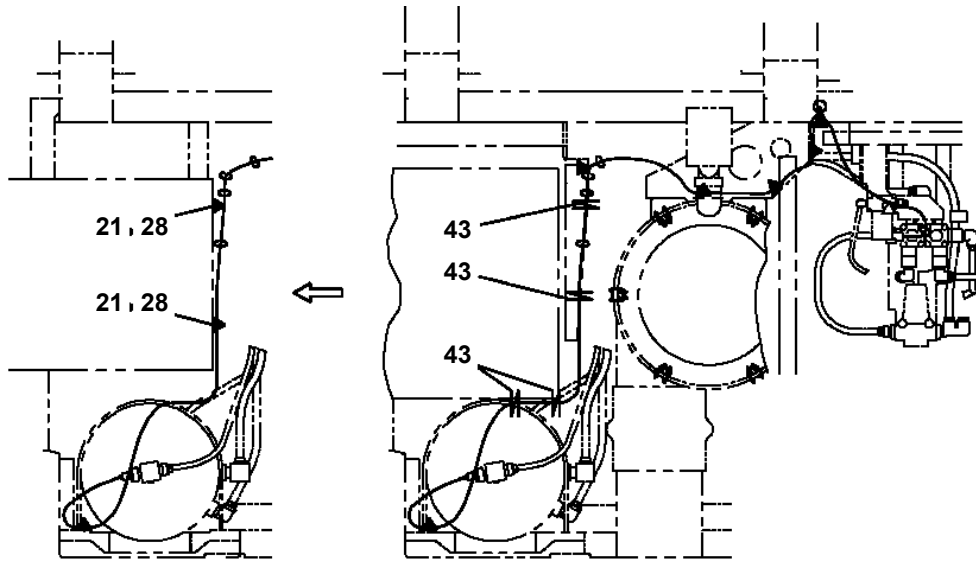
TC-4255-2-00400 FOR AUSTRALIA(FOR GT-600EX-1)
PC5010048-00 CAB ASSY (FLOOR)



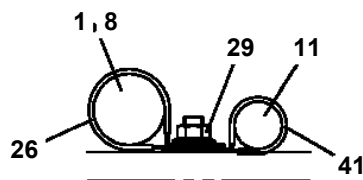
TC-4255-2-00400 FOR AUSTRALIA(FOR GT-600EX-1)
PC5580001-00 COVER ASSY,AIR



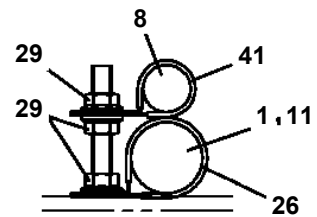
**TC-4255-2-00400 FOR AUSTRALIA(FOR GT-600EX-1)
PE5020200-04 ELEC.ASSY (CARRIER)**



L

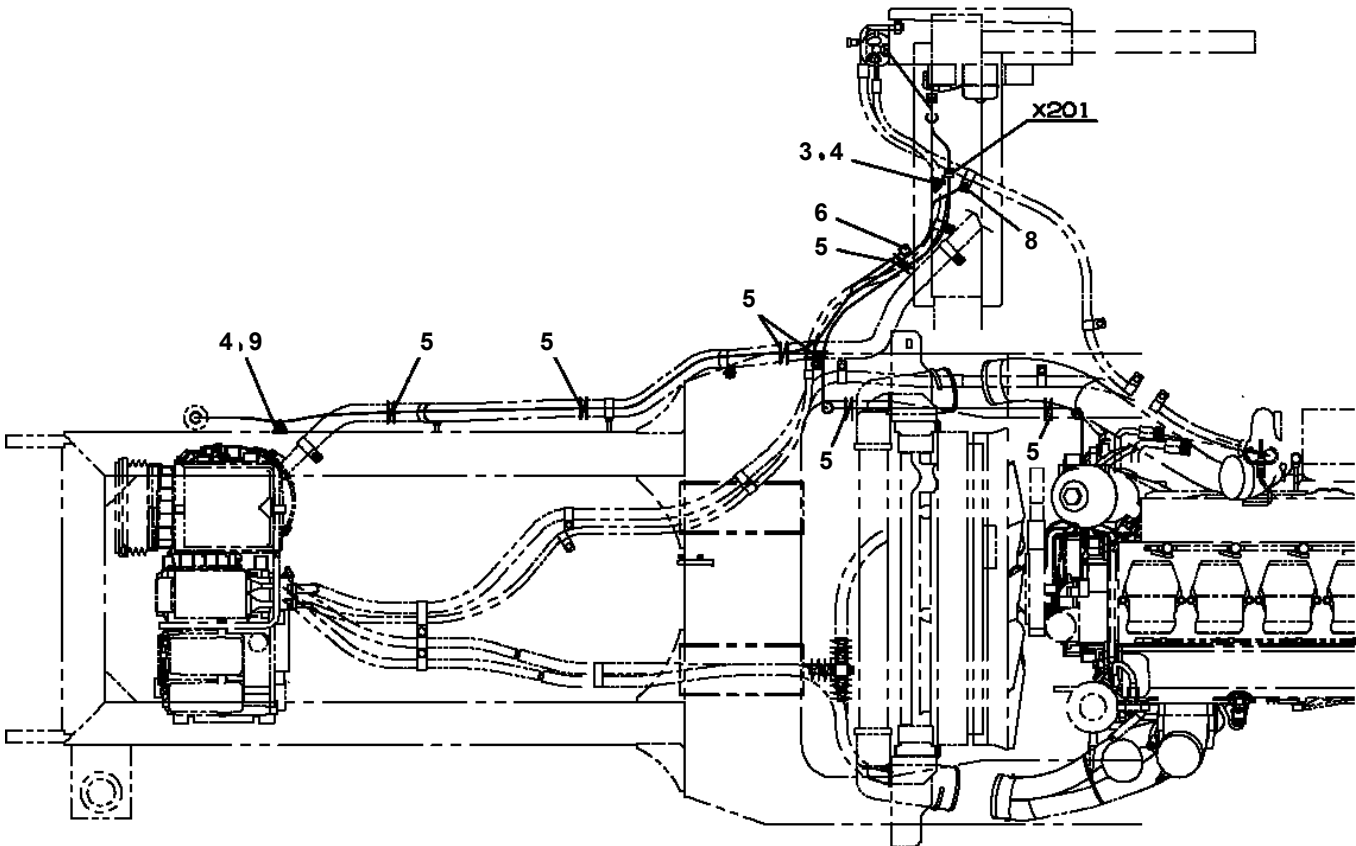
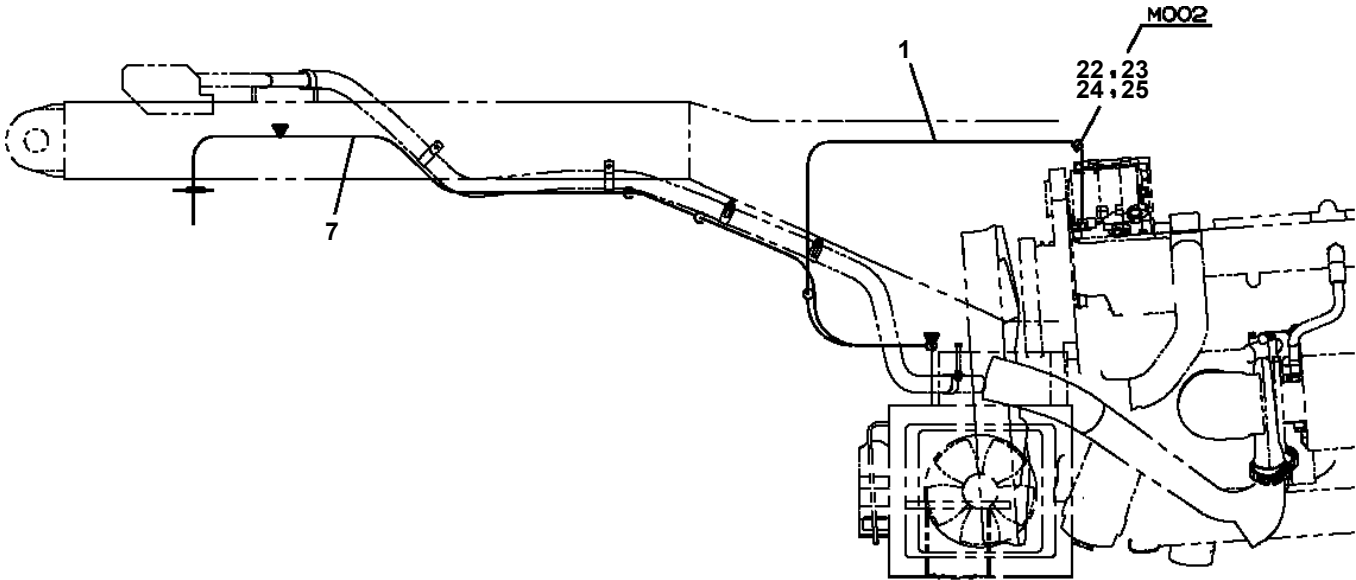


F



H

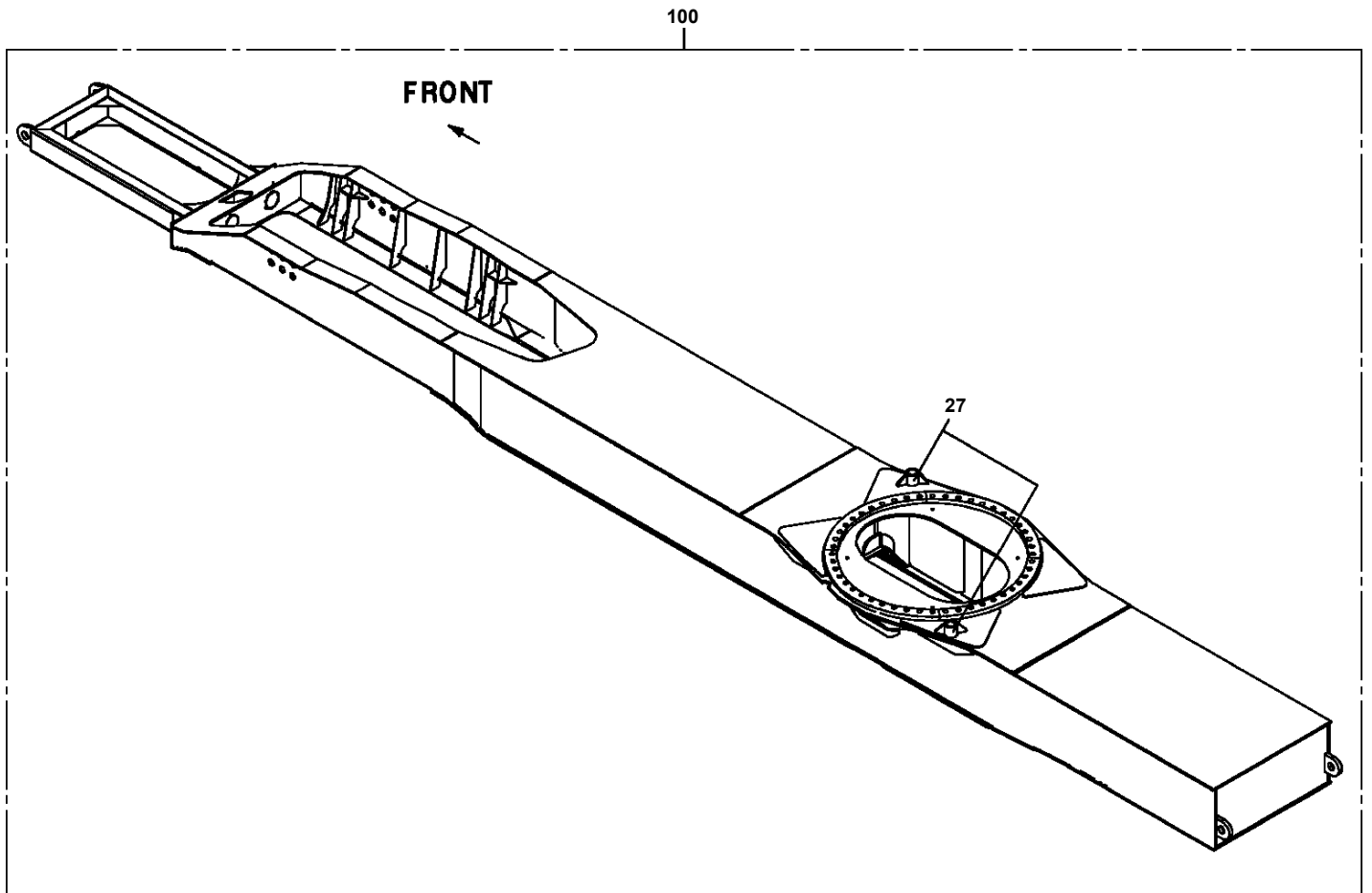
**TC-4255-2-00400 FOR AUSTRALIA(FOR GT-600EX-1)
PE5020395-01 ELEC.ASSY (AIR CONDITIONER)**



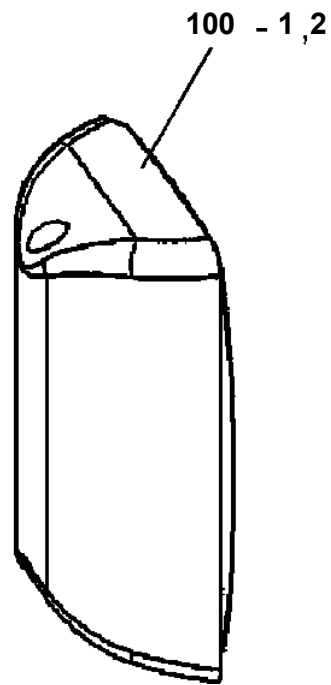
TC-4255-2-00400 FOR AUSTRALIA(FOR GT-600EX-1)

Pos No.	Parts No	Parts Name	Qty	Unit	Technical Data	Serial No (Start)	Serial No (End)	Remarks
1	36320565930	CASE	1					
2	36320565850	INSULATOR	1					
3	36320565860	INSULATOR	1					
4	36320765090	COVER	1					
5	36320765100	ACTUATOR	3					
6	36320765110	VALVE (EXPANSION)	1					
7	36320765120	THERMISTOR	1					
8	36320765130	LEVER	2					
9	36320765140	ROD	1					
10	36320765150	ROD	1					
11	36320565490	RELAY	5					
12	36320765160	EVAPORATOR	1					
13	36320565920	HEATER (CORE)	1					
14	36320565730	BOLT,HEXAGON SOCKET	2					
15	36320565700	SCREW,MACHINE	32					
16	36320565740	SCREW,MACHINE	4					
17	36320455410	CLAMP	2					
18	36320455380	HOLDER	2					
19	36320565180	HOLDER (SENSOR)	1					
20	36320565220	CASE (REAR)	1					
21	36320565790	CASE (FRONT)	1					
22	36320565260	PACKING	1					
23	36320565270	PACKING	1					
24	36320565280	PACKING	1					
25	36320565300	CLAMP	1					
26	36320565190	CLAMP	3					
27	36320565330	LEVER	1					
28	36320565950	LEVER	1					
29	36320565350	LEVER	3					
30	36320565360	LEVER	3					
31	36320565960	CAM	1					
32	36320565380	ROD	1					
33	36320565800	DAMPER	1					
34	36320565810	DAMPER	1					
35	36320765170	DAMPER	1					
36	36320565820	DAMPER	1					
37	36320565830	DAMPER	1					
38	36320565840	DAMPER	1					
39	36320765180	SCREW,MACHINE	6					
40	36320765190	PLATE,NAME (24V)	1					
41	36320565870	PACKING	1					
42	36320565940	BRACKET	1					
43	36320566010	PACKING	1					
44	36320565570	BRACKET	2					
45	36320765200	CONTROLLER (FAN)	1					
46	36320565520	CAP	1					
47	36320565710	SCREW,MACHINE	3					
48	36320565550	CASE	1					
49	36320565560	CASE (BLOWER)	1					
50	36320565580	HOSE	1					
51	36320565590	MOTOR (BLOWER)	1					
52	36320765210	SCREW,MACHINE	4					
53	36320765220	SCREW,MACHINE	13					
54	36320566050	PACKING	1					
55	36320765230	LEVER	1					
56	36320765240	LEVER	1					
57	36320765250	SCREW,MACHINE	3					
58	36320566020	CASE	1					
59	36320566030	CASE	1					
60	36320565620	FILTER	1					
61	36320565650	DAMPER	1					
62	36320565660	BRACKET	1					
63	36320765260	HARNESS ASSY	1					

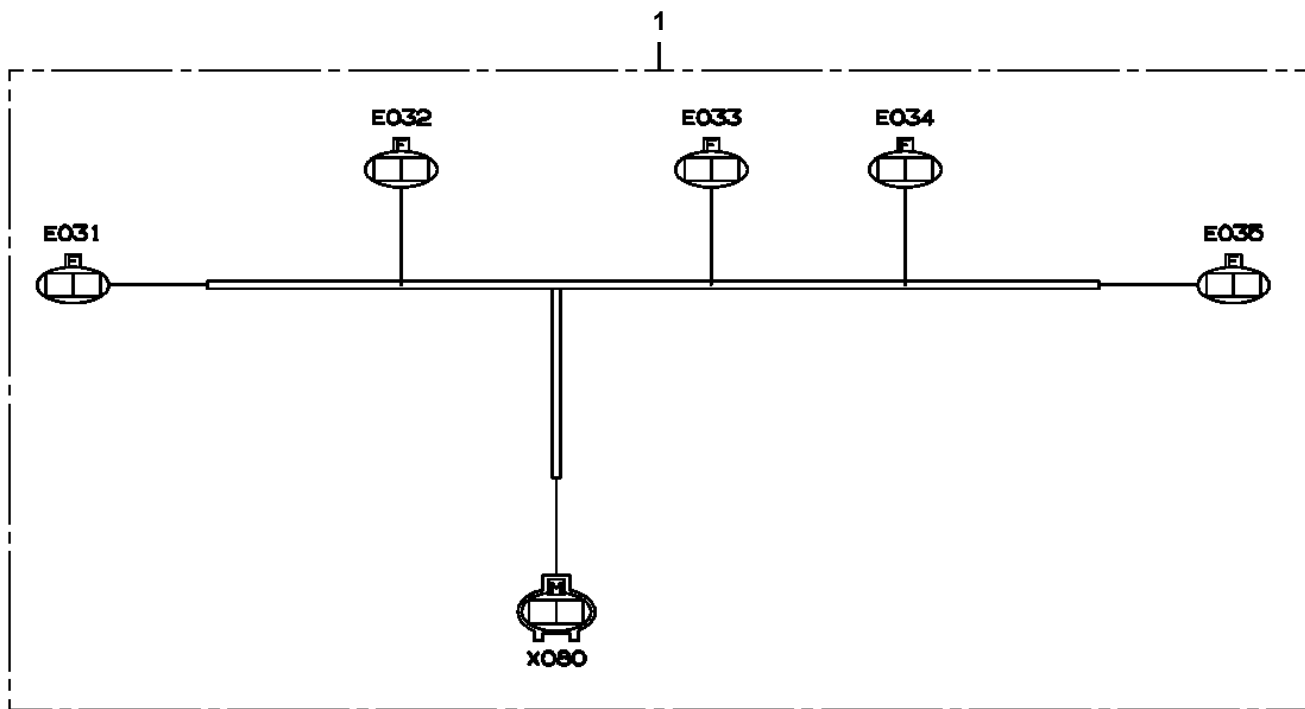
TC-4255-2-00400 FOR AUSTRALIA(FOR GT-600EX-1)
PF5100073-00 FRAME ASSY



**TC-4255-2-00400 FOR AUSTRALIA(FOR GT-600EX-1)
PH1760026-01 MIRROR**



**TC-4255-2-00400 FOR AUSTRALIA(FOR GT-600EX-1)
PH5030132-00 HARNESS (SIDE MARKER LAMP:L)**

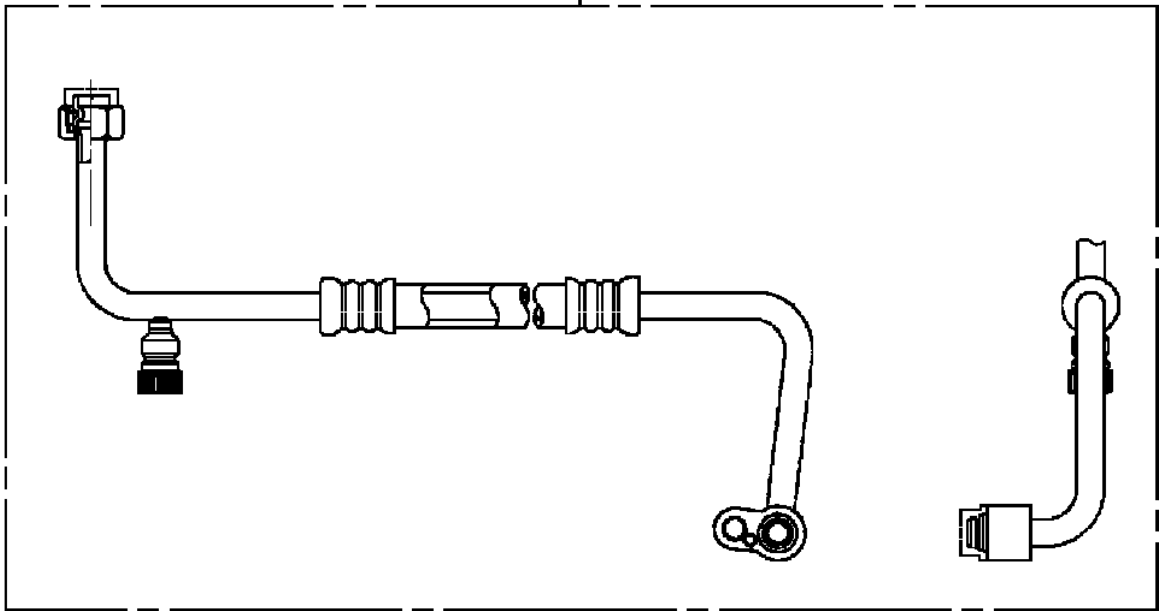


TC-4255-2-00400 FOR AUSTRALIA(FOR GT-600EX-1)

Pos No.	Parts No	Parts Name	Qty	Unit	Technical Data	Serial No (Start)	Serial No (End)
2	82114104010	CONNECTOR	1				
3	82111102510	TERMINAL	1				
4	82121103010	PLUG	1				
5	35580354310	FASTENER	1		L=110		
101	(*****)	ACCESSORY LIST (A/C:OUTSIDE INSTALLATION)	1				

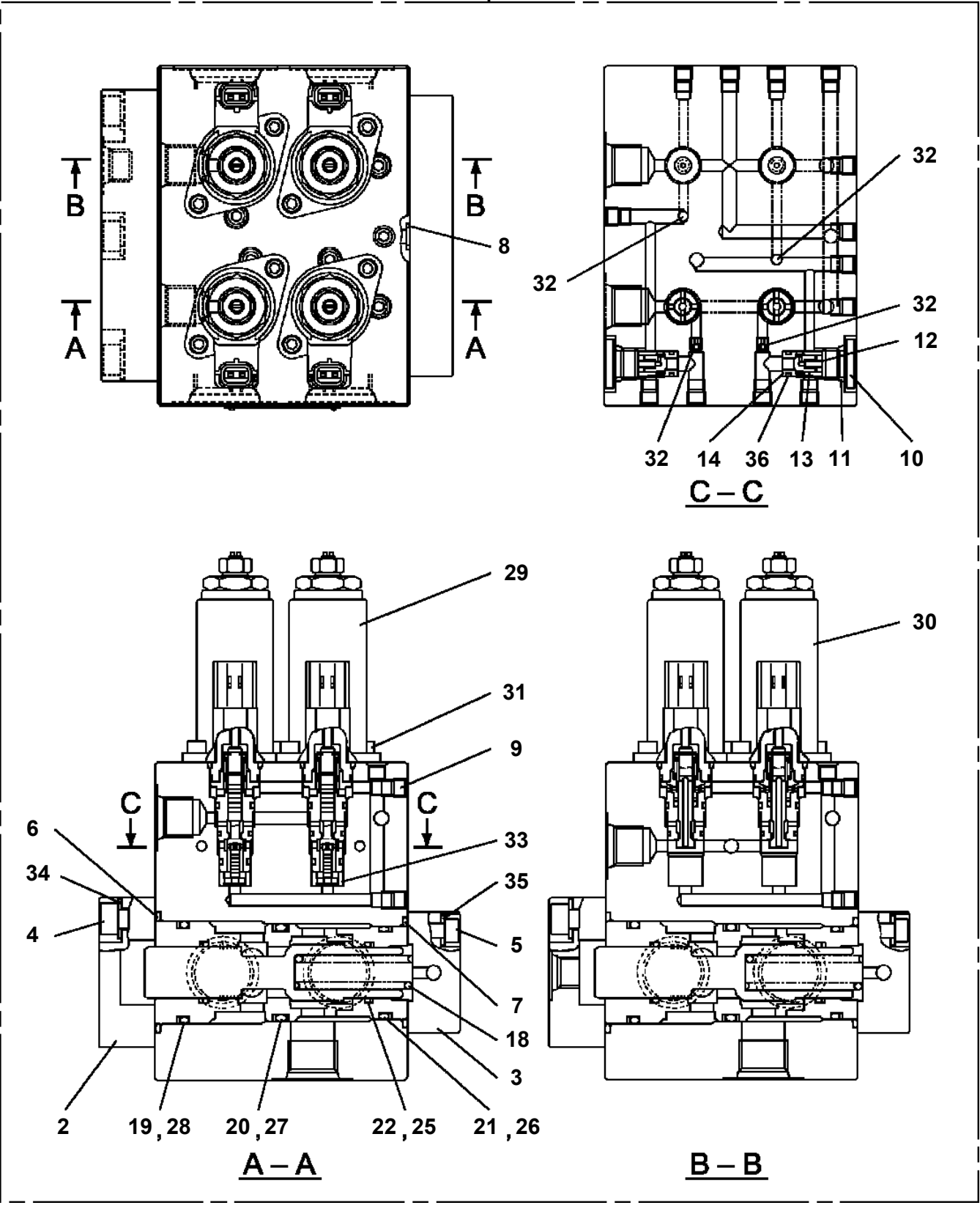
**TC-4255-2-00400 FOR AUSTRALIA(FOR GT-600EX-1)
PH5100010-00 HOSE (DISCHARGE)**

100

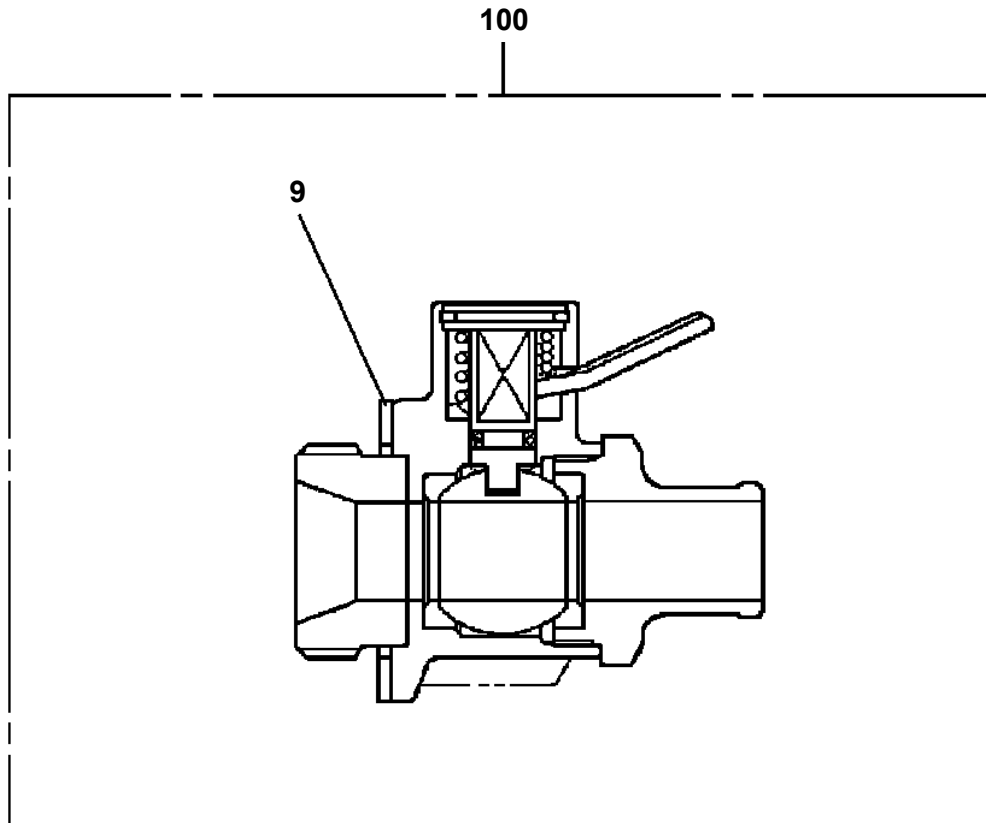


TC-4255-2-00400 FOR AUSTRALIA(FOR GT-600EX-1)
 PI1120343-00 VALVE,SOLENOID

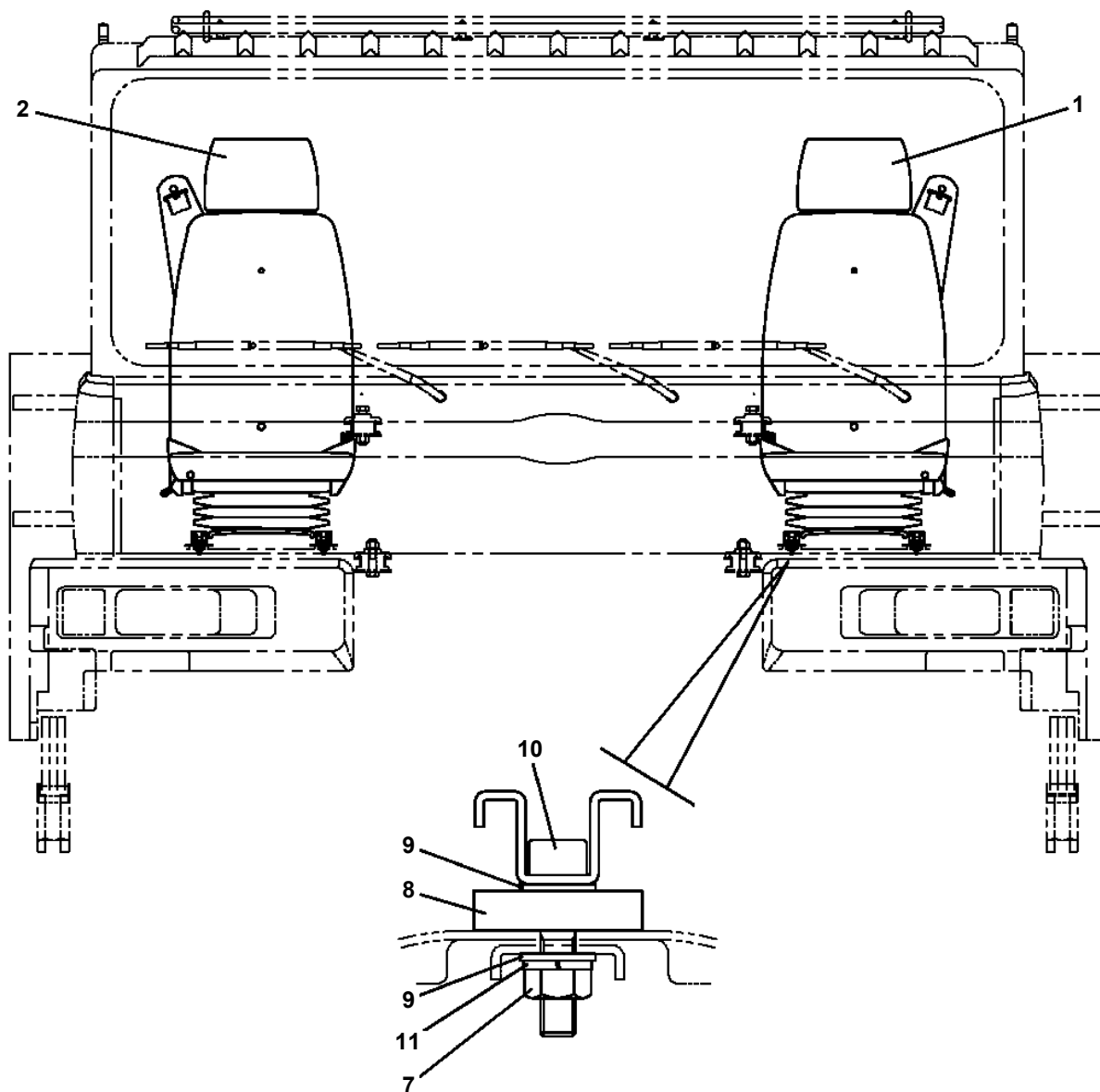
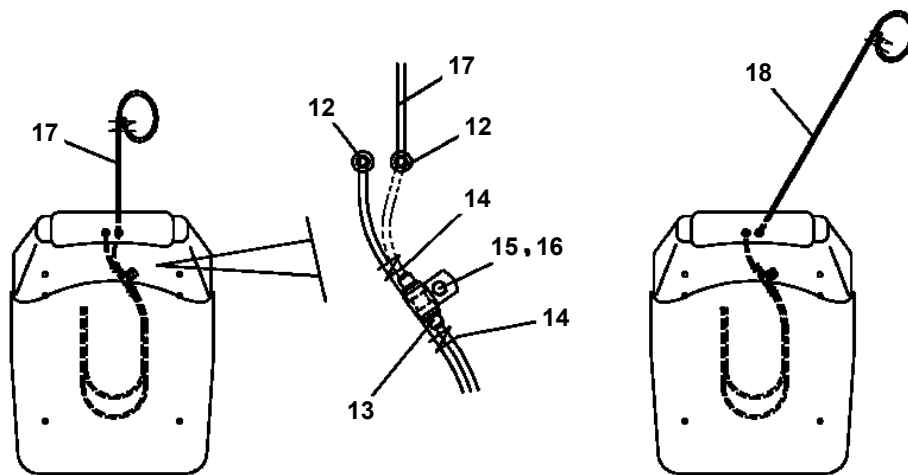
100



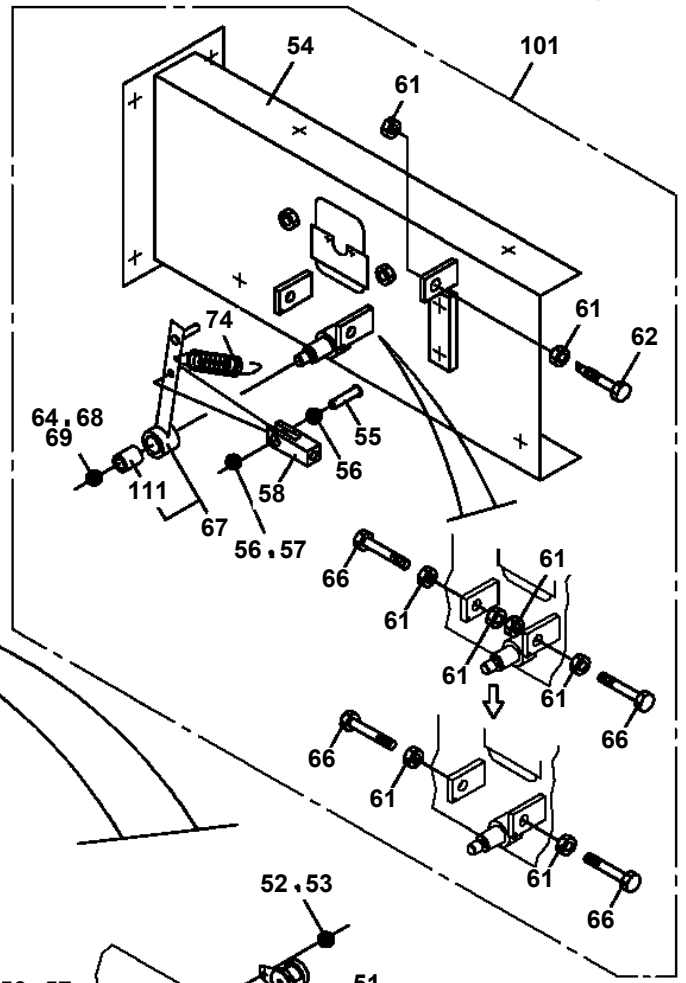
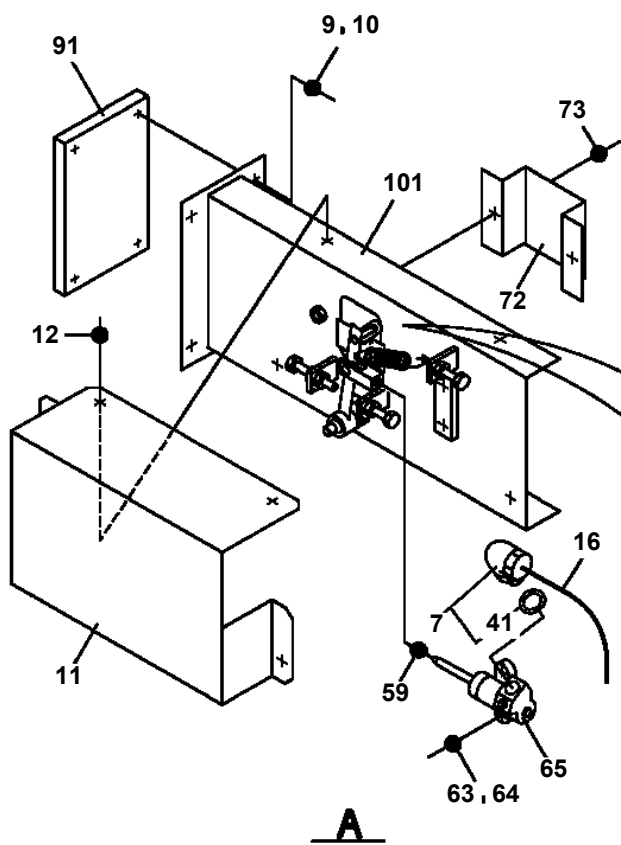
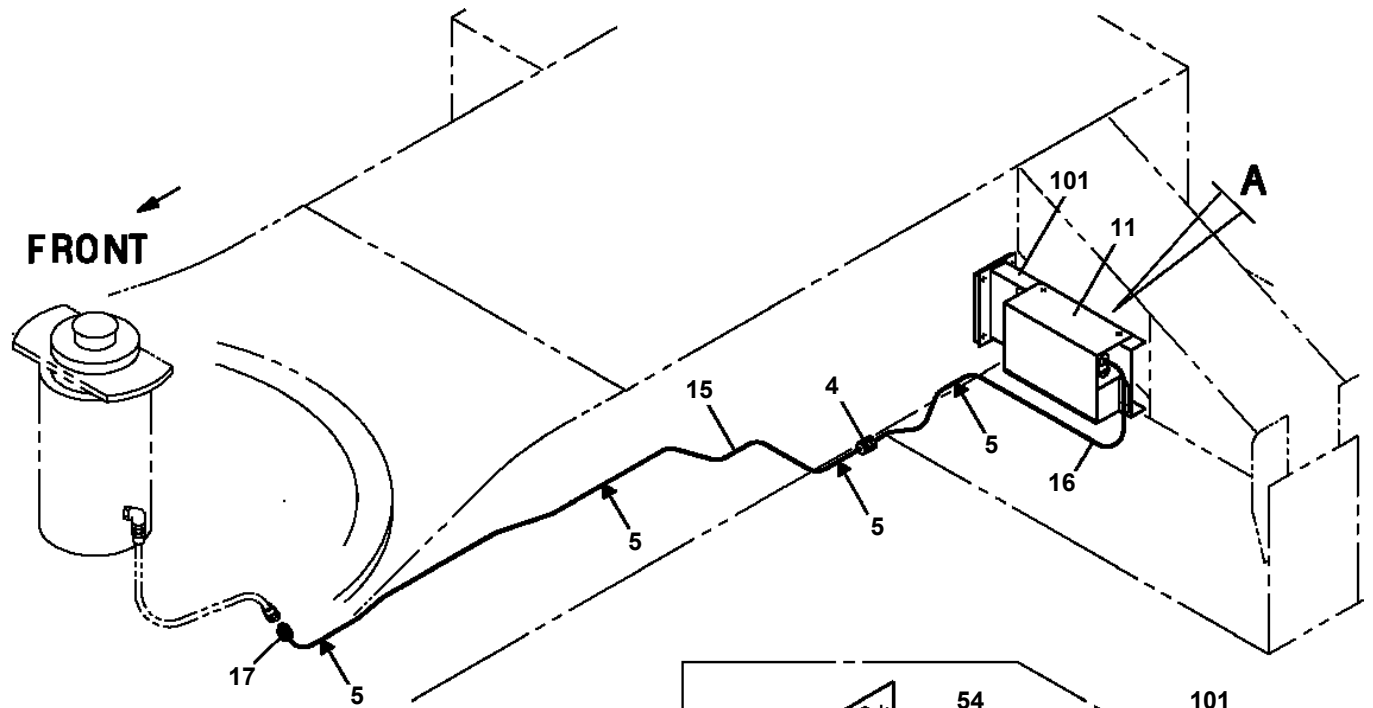
**TC-4255-2-00400 FOR AUSTRALIA(FOR GT-600EX-1)
PI1240067-00 VALVE**



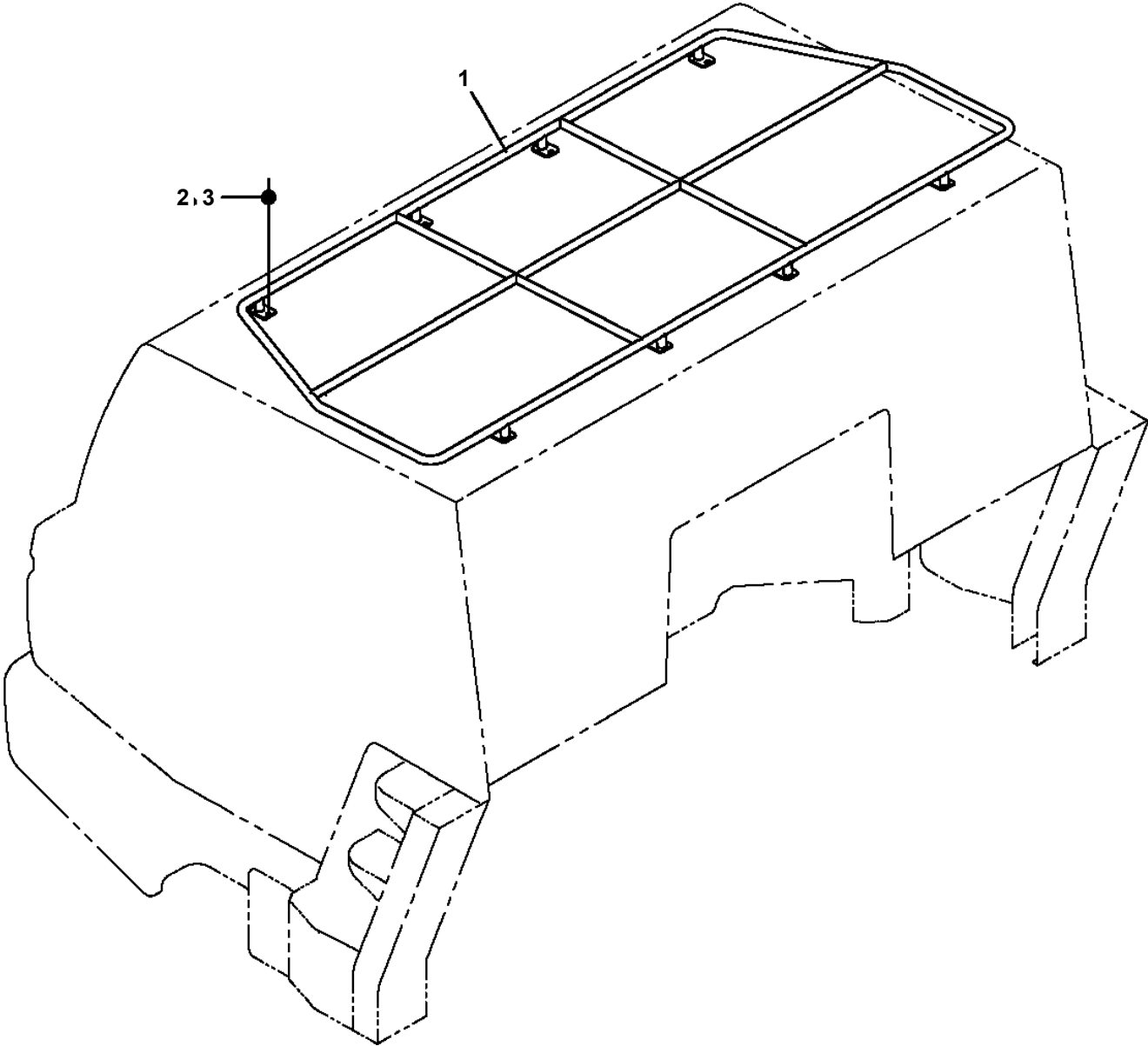
TC-4255-2-00400 FOR AUSTRALIA(FOR GT-600EX-1)
PK1150046-00 SEAT, OPERATOR (CARRIER)



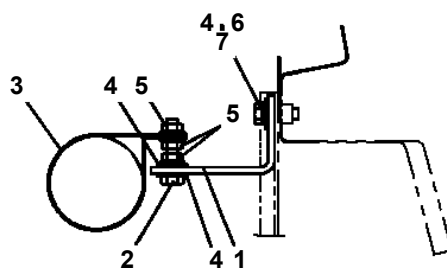
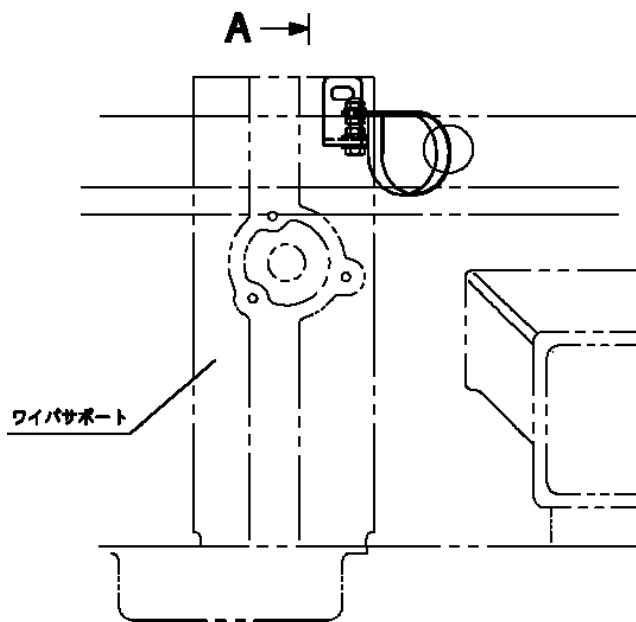
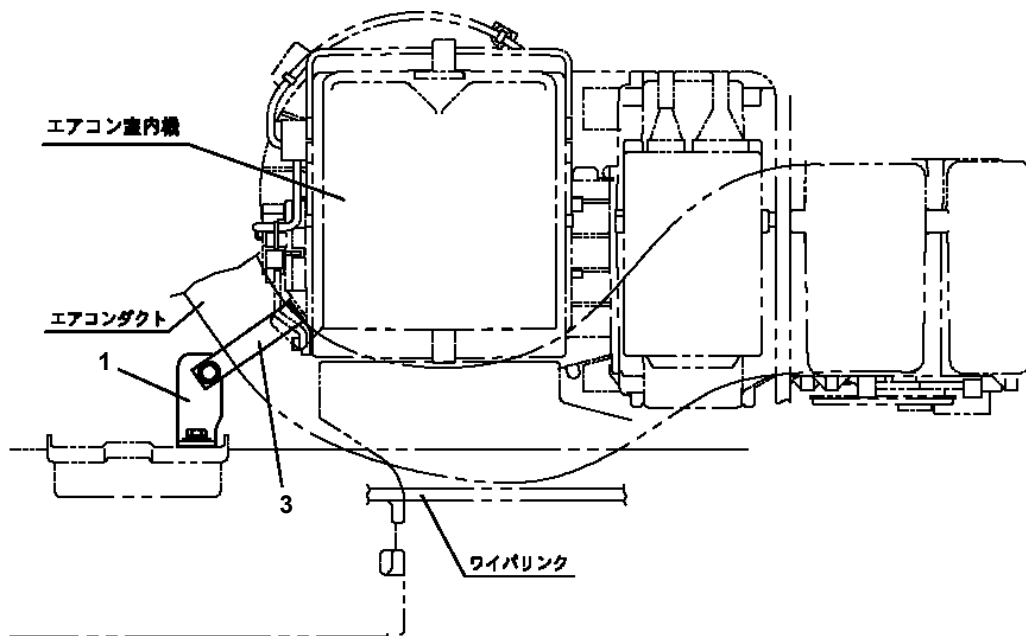
TC-4255-2-00400 FOR AUSTRALIA(FOR GT-600EX-1)
PL1031159-01 OPE.ASSY,ACCELERATOR (LOWER)



**TC-4255-2-00400 FOR AUSTRALIA(FOR GT-600EX-1)
PM5150196-00 MODIFICATION ASSY (ROOF GUARD)**

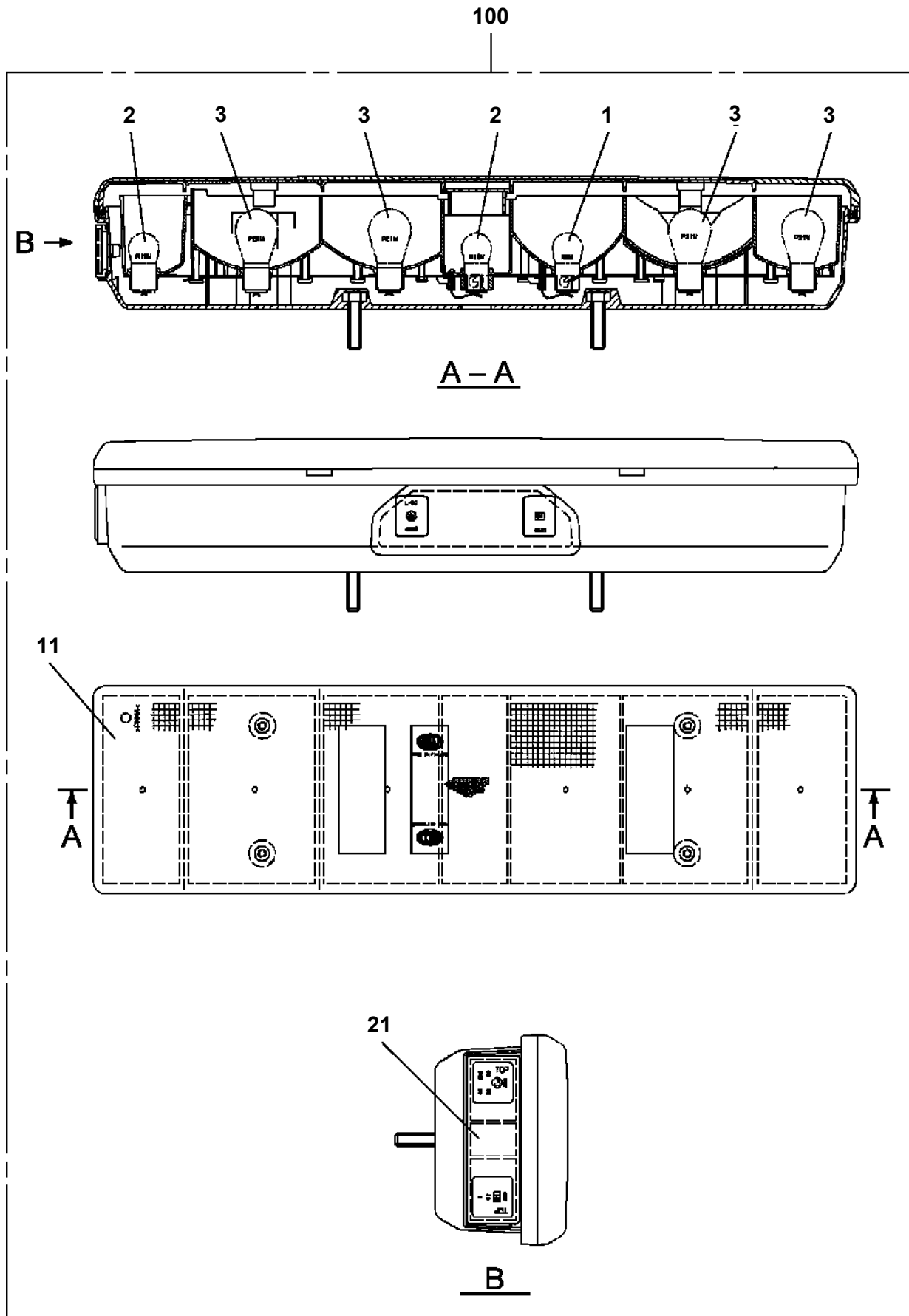


TC-4255-2-00400 FOR AUSTRALIA(FOR GT-600EX-1)
PM5150411-00 MODIFICATION ASSY (DUCT)



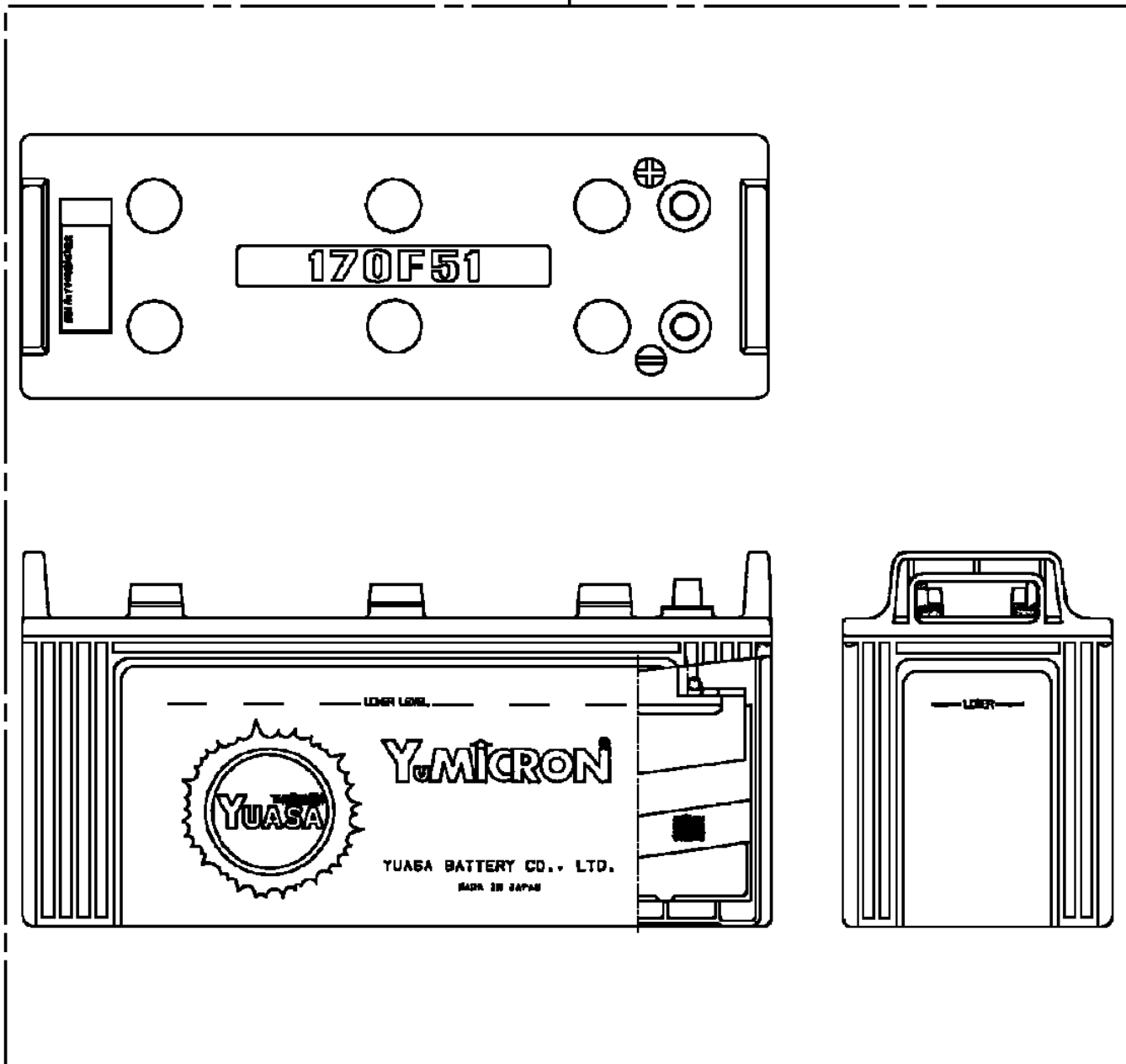
A

TC-4255-2-00400 FOR AUSTRALIA(FOR GT-600EX-1)
PN1080425-00 LAMP (COMBINATION)

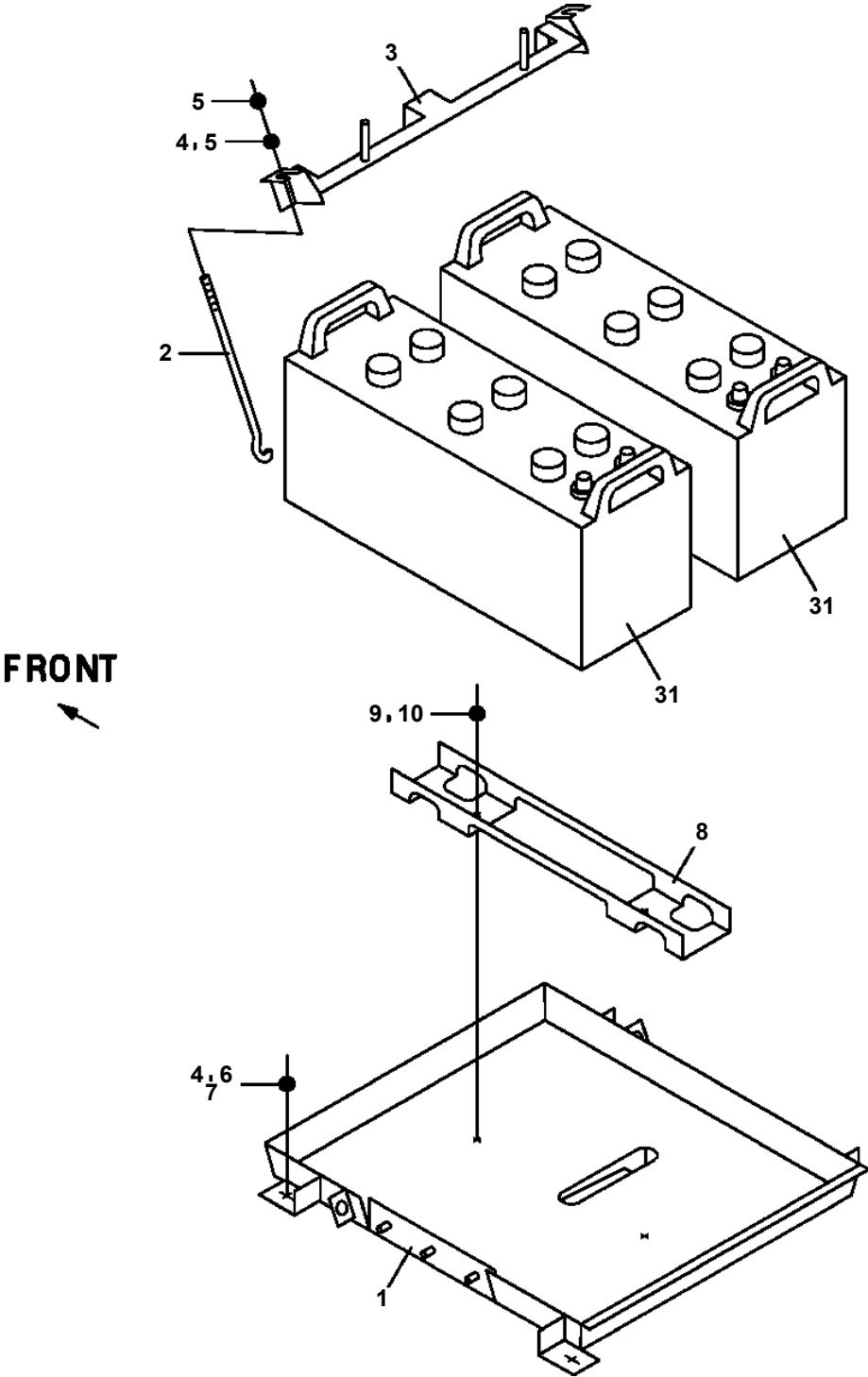


TC-4255-2-00400 FOR AUSTRALIA(FOR GT-600EX-1)
PN1370121-00 BATTERY (YUASA,170F51)

1



**TC-4255-2-00400 FOR AUSTRALIA(FOR GT-600EX-1)
PN1370165-00 BATTERY (MOUNT)**



TC-4255-2-00400 FOR AUSTRALIA(FOR GT-600EX-1)

Pos No.	Parts No	Parts Name	Qty	Unit	Technical Data	Serial No (Start)	Se
1	37002227400	PLATE,NAME (TADANO)	1				
2	34391202130	PLATE,CAUTION (!WARNING RADIATOR)	1				
3	34391202060	PLATE,CAUTION (NO STEP)	3				
4	34392735010	PLATE,CAUTION (DO NOT TOUCH)	1				
5	34391202101	PLATE,CAUTION (FALLING LOAD OR)	4				
6	34391202090	PLATE,CAUTION (!WARNING OUTRIGGER)	4				
7	31491620300	PLATE,CAUTION (OUTRIGGER BEAM LAT)	4				
8	35800132100	PLATE,NAME (OUTRIGGER OPERATION)	1				
9	35800132090	PLATE,NAME (OUTRIGGER OPERATION)	1				
10	34394192040	PLATE,CAUTION (NOTICE HYDRAULIC FLUID)	1				
11	34391202120	PLATE,CAUTION (!WARNING CLIMB UP)	6				
12	35800132010	PLATE,CAUTION (DO NOT LEAVE DOOR OPEN)	2				
13	35800132020	PLATE,NAME (AIR CLEANER)	1				
14	34391202201	PLATE,CAUTION (ROTATING FAN.)	1				
15	35800132030	PLATE,NAME (NOTICE USE EMERGENCY LEVEL)	1				
16	35800132040	PLATE,NAME (NOTICE BEFORE REPLACING)	1				
17	35800132050	PLATE,NAME(LIFTNG OF CRANE FOR SHIPMENT)	1				
18	14137207000	PLATE,NAME (GREASE)	39				
19	35800132060	PLATE,NAME (INSPECTION HOLE)	4				
20	35800132070	PLATE,NAME (INSPECTION HOLE)	4				
21	35800132080	PLATE,NAME (DO NOT LEAVE DOOR OPEN)	1				
30	36350631300	ACCESSORY LIST(PTO INFO KIT)	1				

CLICK HERE TO **DOWNLOAD** THE COMPLETE MANUAL

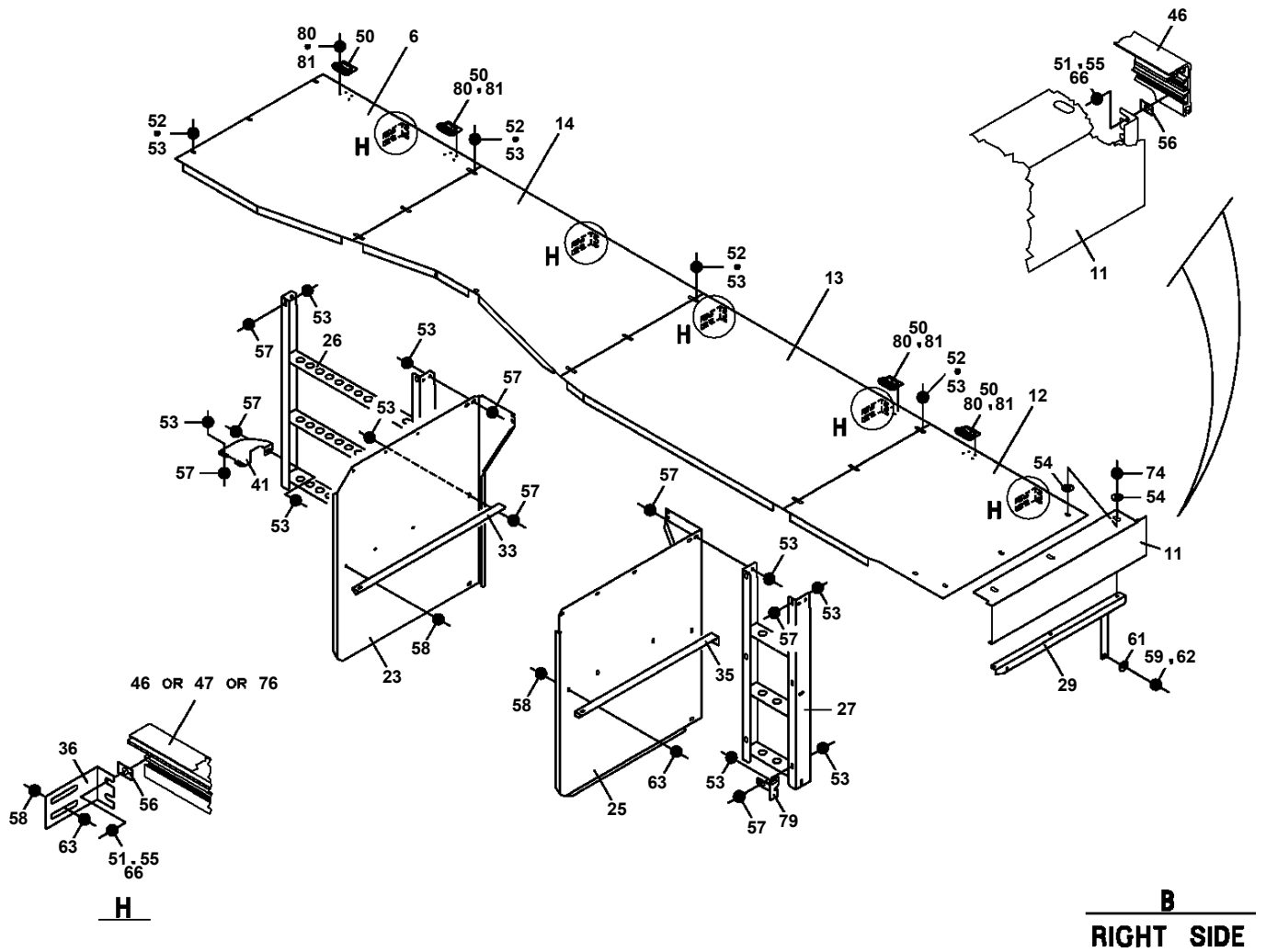
- Thank you very much for reading the preview of the manual.
- You can download the complete manual from: www.heydownloads.com by clicking the link below



- Please note: If there is no response to CLICKING the link, please download this PDF first and then click on it.

CLICK HERE TO **DOWNLOAD** THE COMPLETE MANUAL

**TC-4255-2-00400 FOR AUSTRALIA(FOR GT-600EX-1)
PO5260025-01 OUTER COVERING ASSY (FENDER)**

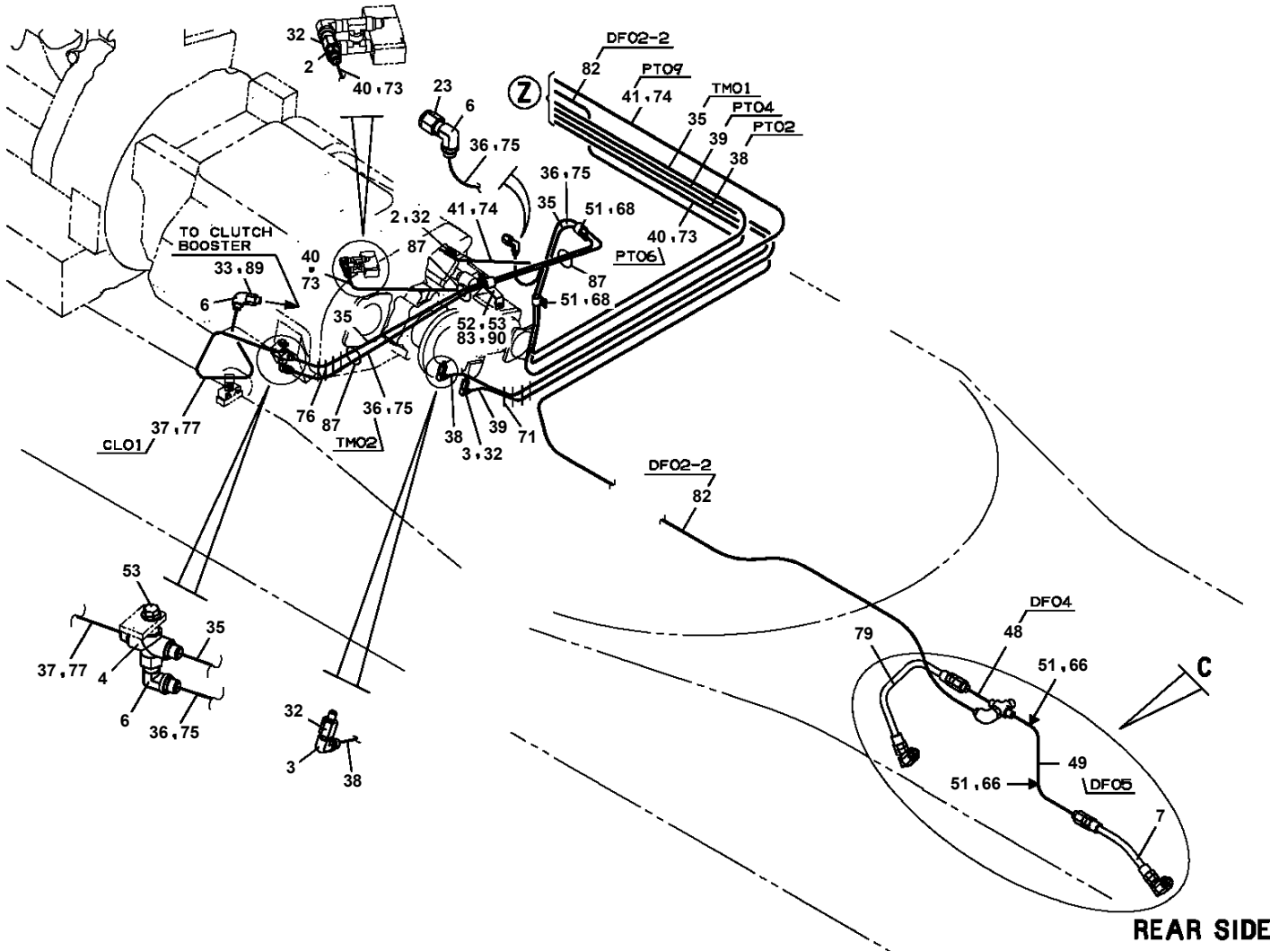


B
RIGHT SIDE

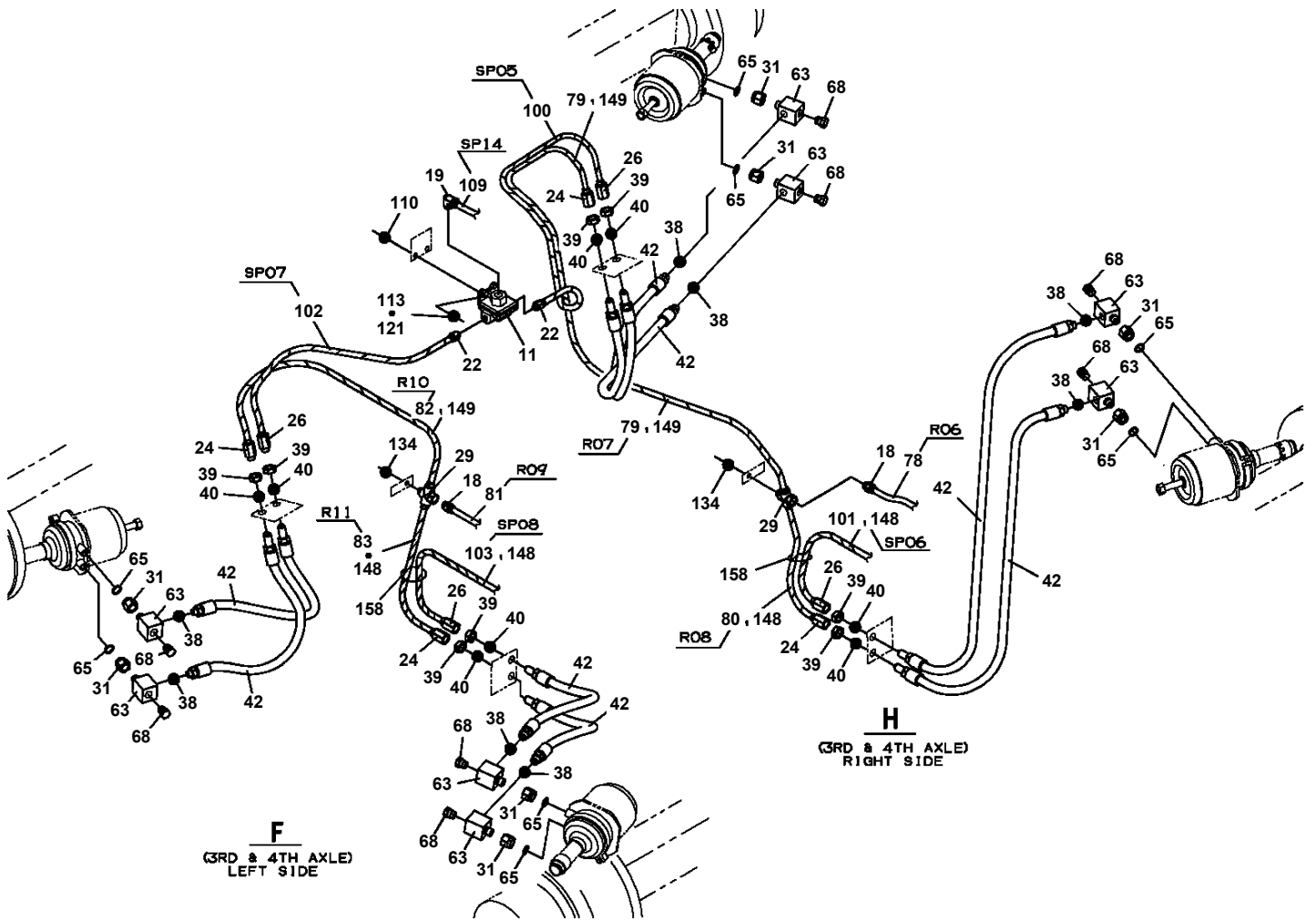
TC-4255-2-00400 FOR AUSTRALIA(FOR GT-600EX-1)

Pos No.	Parts No	Parts Name	Qty	Unit	Technical Data	Serial No (Start)	Serial No (End)	Remarks
2	35220071200	CASE,INNER	2					
3	36042420000	CYLINDER,EXTENSION	2					
4	90101210016	BOLT	8		M10X16			
5	90302041001	WASHER,SPRING	20		10			
6	80430620400	JOINT	4					
7	37012401430	HOSE,TWIN	2		L=3400			
8	36625030000	VALVE,CHECK	2					
9	90172110030	BOLT,HEXAGON SOCKET	8		M10X30			
10	37000110460	PIN	2					
11	82100002039	CLAMP	2					
12	36036180000	CYLINDER,JACK	2					
13	90101518085	BOLT	8		M18X85			
14	90302041801	WASHER,SPRING	8		18			
15	34611211500	FLOAT ASSY	2					
16	33610260030	COVER ASSY	2					
17	37000100330	PIN	2					
18	80136340050	PIN,SPLIT	4		4X50			
19	90186208020	BOLT,FLANGE	2		M8X20			
20	90280200800	NUT,FLANGE	2		M8			
21	82100002535	TUBE,SPIRAL	2	M	SE-29BK			
22	91002801100	O-RING	8		1B P11			
23	80400160127	JOINT	4					
24	37002015190	PLATE,SLIDE	4					
25	37000576440	PLATE	4					
26	90172106030	BOLT,HEXAGON SOCKET	4		M6X30			
27	90303070601	WASHER,PLAIN	4		6			
28	90201200600	NUT	4		M6			
29	90710010200	SCREW,SET	8		M10X20			
30	90203201000	NUT	8		M10			
31	35220062100	COVER	1					
32	90186210014	BOLT,FLANGE	3		M10X14			
51	35220078020	OUTRIGGER ASSY,REAR	2					
78	80136340050	PIN,SPLIT	4		4X50			
101	90174110045	BOLT	12		M10X45			
103	33610001520	COVER	4					
105	82456101000	NIPPLE,GREASE	2		A-PT1/8			
122	34610053200	PLATE,SLIDE	2					
123	90190000030	BOLT	4		M10X45			

**TC-4255-2-00400 FOR AUSTRALIA(FOR GT-600EX-1)
PP6020015-00 PIPING ASSY,AIR (FRAME)**



**TC-4255-2-00400 FOR AUSTRALIA(FOR GT-600EX-1)
PP6070015-01 PIPING ASSY,BRAKE (FRAME)**



TC-4255-2-00400 FOR AUSTRALIA(FOR GT-600EX-1)

Pos No.	Parts No	Parts Name	Qty	Unit	Technical Data	Serial No (Start)	Serial No (End)	Remarks
131	91002801100	O-RING	2		1B P11			
141	91002802900	O-RING	2		1B P29			

TC-4255-2-00400 FOR AUSTRALIA(FOR GT-600EX-1)

Pos No.	Parts No	Parts Name	Qty	Unit	Technical Data	Serial No (Start)	Serial No (End)	Rem
2	36741460000	VALVE,PILOT CONTROL	1					
4	36741520000	VALVE,SOLENOID	2					
5	36672640000	FILTER (WITH O-RING)	2					
6	81408000160	PIPE,STEEL	2	M	12X1.4T			
7	36672450001	ACCUMULATOR	2					
8	36673420000	ACCUMULATOR (ASSY ONLY)	2					
9	37002452220	HOSE	4		L=560			
10	37002451770	HOSE	4		L=750			
11	37002458010	HOSE	2		L=620		DC0917	
	37002490190	HOSE	2		L=620	DC0918		
12	37002451880	HOSE	3		L=800		DC0917	
	37002490200	HOSE	3		L=800	DC0918		
13	37000925630	JOINT	1		S,G3/4-G3/4			
14	34640896900	BAND	4					
15	90201201000	NUT	16		M10			
16	90101210020	BOLT	3		M10X20			
17	90302041001	WASHER,SPRING	11		10			
18	90101208016	BOLT	10		M8X16			
19	90302040801	WASHER,SPRING	10		8			
20	80311010170	FITTING	1		S,15-12			
21	80311010320	FITTING	2		KRE22X180N			
22	80302090141	FITTING	2		KCO12-020N			
23	35760374100	JOINT	2					
24	80302090231	FITTING	4		KCO18-030N			
25	80302090241	FITTING	5		KCO18-040N			
26	80302090251	FITTING	1		KCO018-060N			
27	80302090281	FITTING	7		KCO22-060N			
28	80303130141	FITTING,ELBOW	5		KLO12-020E			
29	80303130281	FITTING,ELBOW	8		KLO22-060E			
30	80301010100	FITTING	5		KUA12-000N			
31	80301010120	FITTING	2		KUA15-000N			
32	80301010160	FITTING	9		KUA18-000N			
33	80301010200	FITTING	4		KUA22-000N			
34	80305010100	FITTING,TEE	1		KTA12-000N			
35	80305010160	FITTING,TEE	1		KTA18-000E			
36	37000930420	JOINT	1					
37	80305100180	FITTING,TEE	1		T,18-18-18			
38	80305100220	FITTING,TEE	2					
39	80305140180	FITTING,TEE	1		T,18-18-18			
40	91002801100	O-RING	1		1B P11			
41	91002801400	O-RING	4		1B P14			
42	91002801800	O-RING	11		1B P18			
43	91002802400	O-RING	26		1B P24			
44	37000711430	CLAMP ASSY	4		18X4			
45	37000711100	CLAMP ASSY	3		28X2			
46	37000701560	CLAMP ASSY	3		18X2			
47	37005700020	CLAMP	5		12X2			
48	90186208035	BOLT,FLANGE	5		M8X35			
49	37000300740	SLEEVE	8		18-12			
50	37000300780	SLEEVE	14		28-22			
51	37000300770	SLEEVE	16		28-18			
52	37000300760	SLEEVE	3		28-15			
53	80306010165	NUT	6		KKN018-000E			
54	80306010205	NUT	4		KKN22-000E			
55	80309010165	SLEEVE	6					
56	80309010205	SLEEVE	4		KKO22-000E			
57	80400160131	JOINT	2					
58	80400160133	JOINT	8					
59	80471020504	JOINT	4		HL205-04			
60	80430620800	JOINT	2					
61	80471020506	JOINT	4		45,G3/4-G3/4			
62	37000711090	CLAMP ASSY	3		18X2			
63	81408000241	PIPE,STEEL	2	M	18X1.9T			

TC-4255-2-00400 FOR AUSTRALIA(FOR GT-600EX-1)

Pos No.	Parts No	Parts Name	Qty	Unit	Technical Data	Serial No (Start)	Serial No (End)	Remarks	Pages
1	36330525010	RADIATOR	1						
2	36330525020	COOLER (AIR)	1						
3	36330485110	BOLT	6						
4	36330525030	SHROUD	1						
5	36330505030	BOLT	21						
6	36330525040	BRACKET	1						
7	36330525050	BRACKET	1						
100	36330520002	RADIATOR	1						

TC-4255-2-00400 FOR AUSTRALIA(FOR GT-600EX-1)

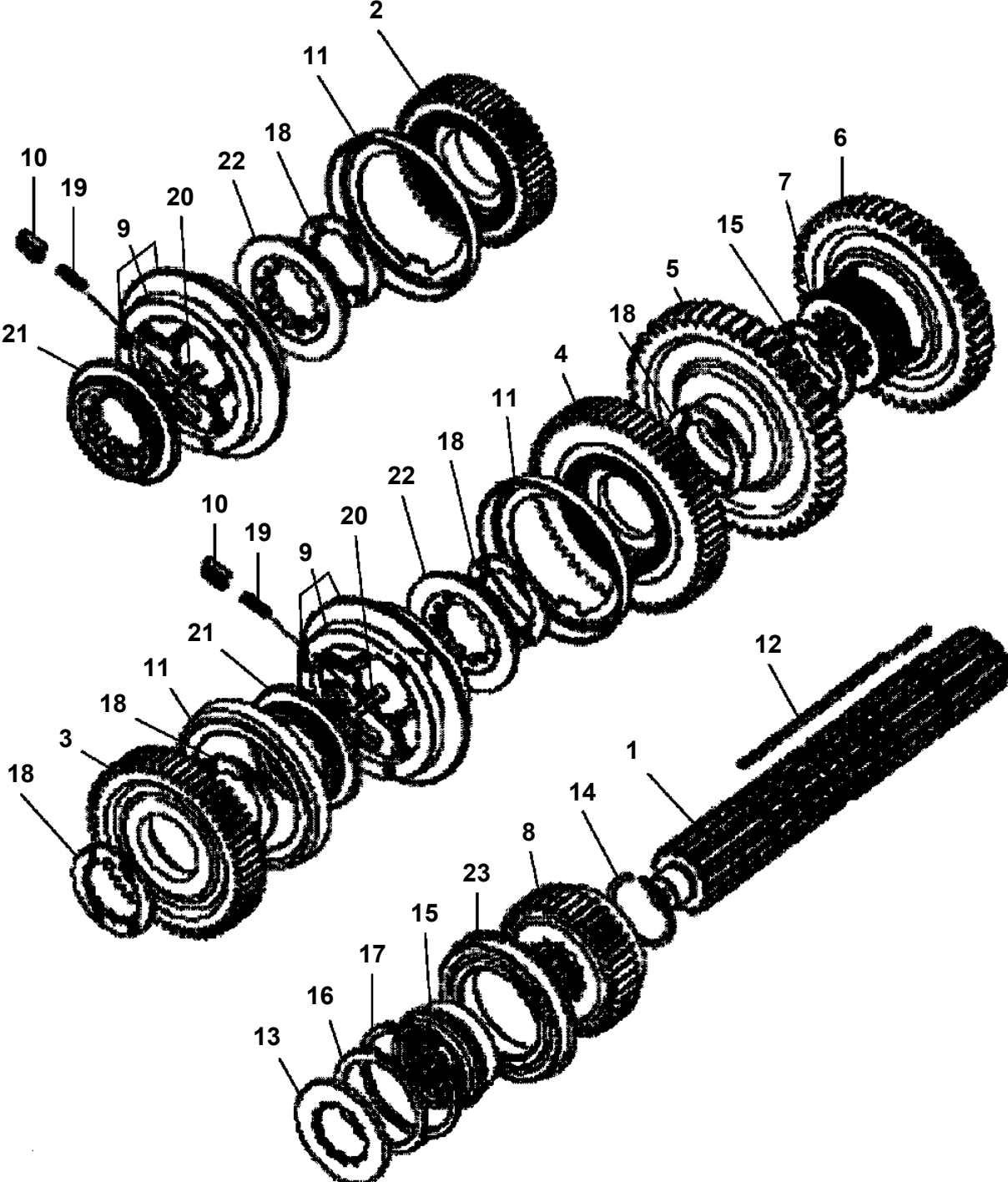
Pos No.	Parts No	Parts Name	Qty	Unit	Technical Data	Serial No (Start
2	36101870000	TANK,FUEL (300L)	1			
3	36180040000	SENDER,FUEL	1			
4	35610110100	SUPPORT	2			
5	35610110200	BAND	2			
6	90101512025	BOLT	8		M12X25	
	90101512025	BOLT	10		M12X25	DC0896
7	90302041201	WASHER,SPRING	10		12	
	90302041201	WASHER,SPRING	12		12	DC0896
8	35610118160	PIPE ASSY	1			
	35610118470	PIPE ASSY	1			DC0723
9	35610118170	PIPE ASSY	1			
10	37000904040	FITTING	4		S,M20-M20	
11	33330010080	BOLT,EYE	2			
12	33330010090	JOINT	2			
13	33330010100	GASKET	4			
14	37000904840	NUT,FLARE	12		M20	
15	90101212030	BOLT	2		M12X30	
17	90303071201	WASHER,PLAIN	2		12	
	90303071201	WASHER,PLAIN	4		12	DC0896
19	91803600200	CLIP	10		D=13-20	
20	37000701510	CLAMP ASSY	4		12X2	
21	37005700020	CLAMP	6		12X2	
23	90186208030	BOLT,FLANGE	4		M8X30	
24	34780290310	HOSE	1		L=310	
25	37002513760	HOSE	1		L=1000	
26	34880010500	HOSE	1		L=500	
27	37002513890	HOSE	1		L=600	
	37002507610	HOSE	1		L=800	DC0866
31	35610118080	PIPE ASSY	1			
32	35610118090	PIPE ASSY	1			
33	35610118100	PIPE ASSY	1			
34	35610118110	PIPE ASSY	1			
40	91810130250	FASTENER	3			
41	34880760200	HOSE	1		10,L=320	
42	37005700010	CLAMP	2		12X1	
43	90186208050	BOLT,FLANGE	1		M8X50	
44	82100002013	CLAMP	2		WRC18	
45	82100001804	TUBE,CORRUGATE	1	M	15	
46	90304112001	WASHER (LOCK)	2		20	
47	37000932190	FITTING	4			
48	37000927780	JOINT	3		PT1/4:10	
49	37000913140	JOINT	1			
50	90186208040	BOLT,FLANGE	1		M8X40	
51	90211202000	NUT	2		M20	
53	35610110500	SUPPORT	1			DC0896
103	37000567830	SUPPORT	2			
201	(*****)	ACCESSORY LIST (DELIVERED APART FROM ENGINE)	1			

**TC-4255-2-00400 FOR AUSTRALIA(FOR GT-600EX-1)
PR1400069-03 TRANSMISSION**

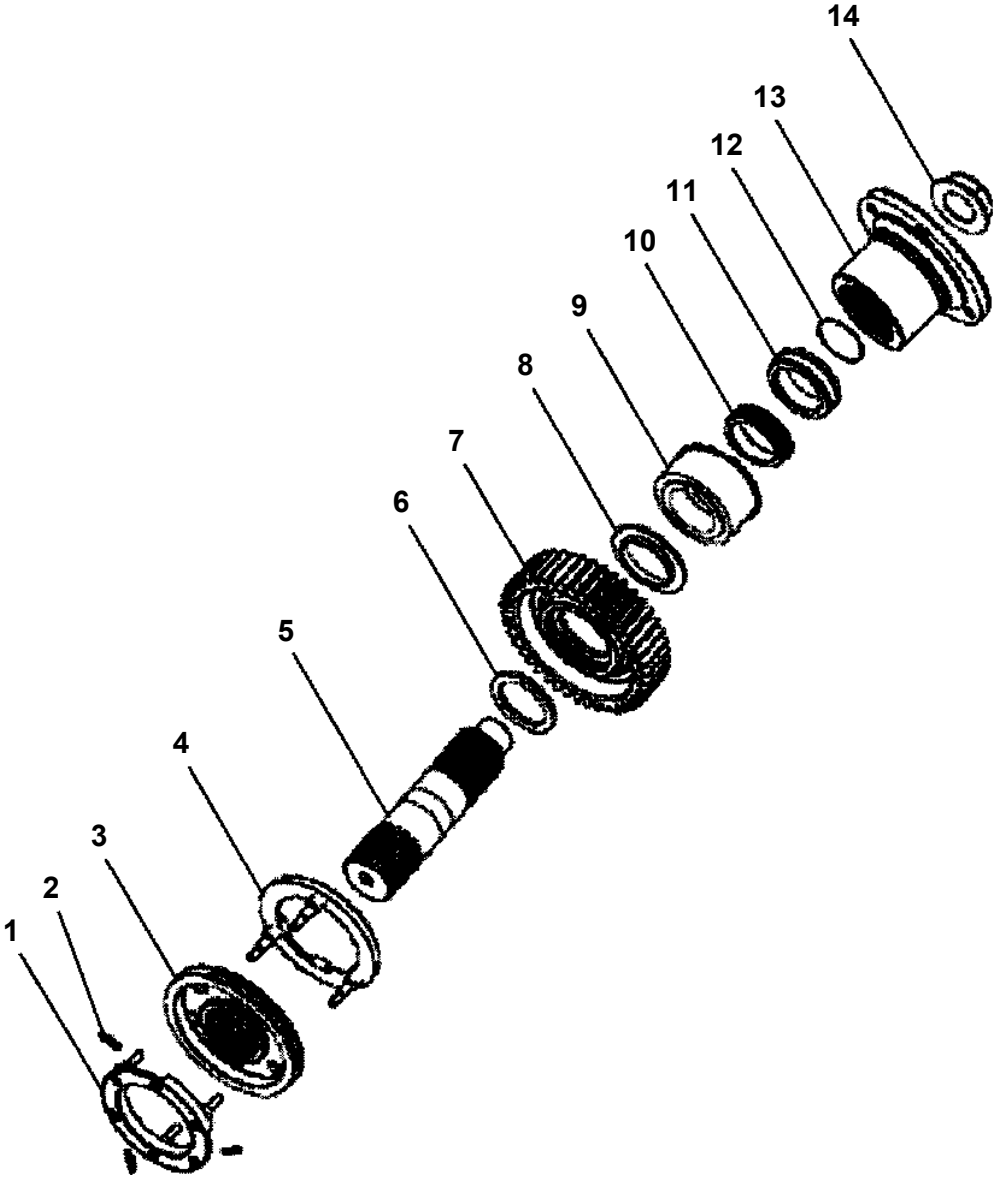
100

指示番号 KEY NO.	トランスミッション TRANSMISSION
2	FILTER REGULATOR& A-5000 VALVE
3	SHIFT BAR HOUSING ASSY
4	CASE (FRONT)
5	CLUTCH HOUSING & RELEASE SYSTEM
6	MAINSHAFT ASSY
7	COUNTERSHAFT ASSY
8	INPUT SHAFT & DRIVE GEAR
9	REVERSE IDLER
10	CASE (AUX)
11	MAINSHAFT & SYNCHRO(AUX)
12	COUNTERSHAFT & BRGS(AUX)
13	RANGE CYLINDER
14	PTO ASSY
15	NEUTRAL INTERLOCK
16	SHIFT CAB UNIT
17	SWITCH (PTO ASSY)
18	SWITCH (NEUTRAL SWITCH,REVERSE SWITCH)

TC-4255-2-00400 FOR AUSTRALIA(FOR GT-600EX-1)
PR1400074-00 TRANSMISSION (MAINSHAFT ASSY)

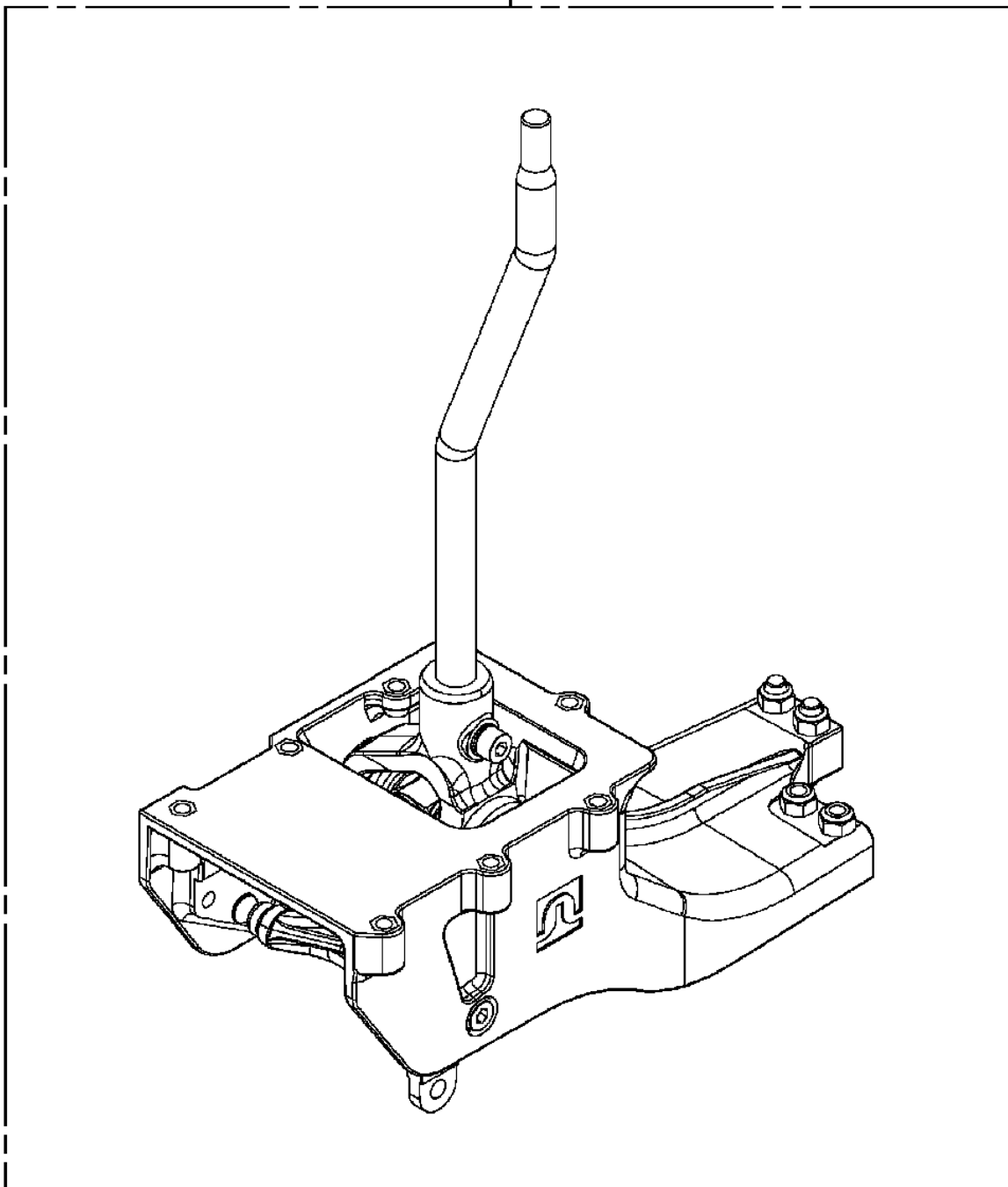


**TC-4255-2-00400 FOR AUSTRALIA(FOR GT-600EX-1)
PR1400079-00 TRANSMISSION (MAINSHAFT & SYNCHRO AUX)**



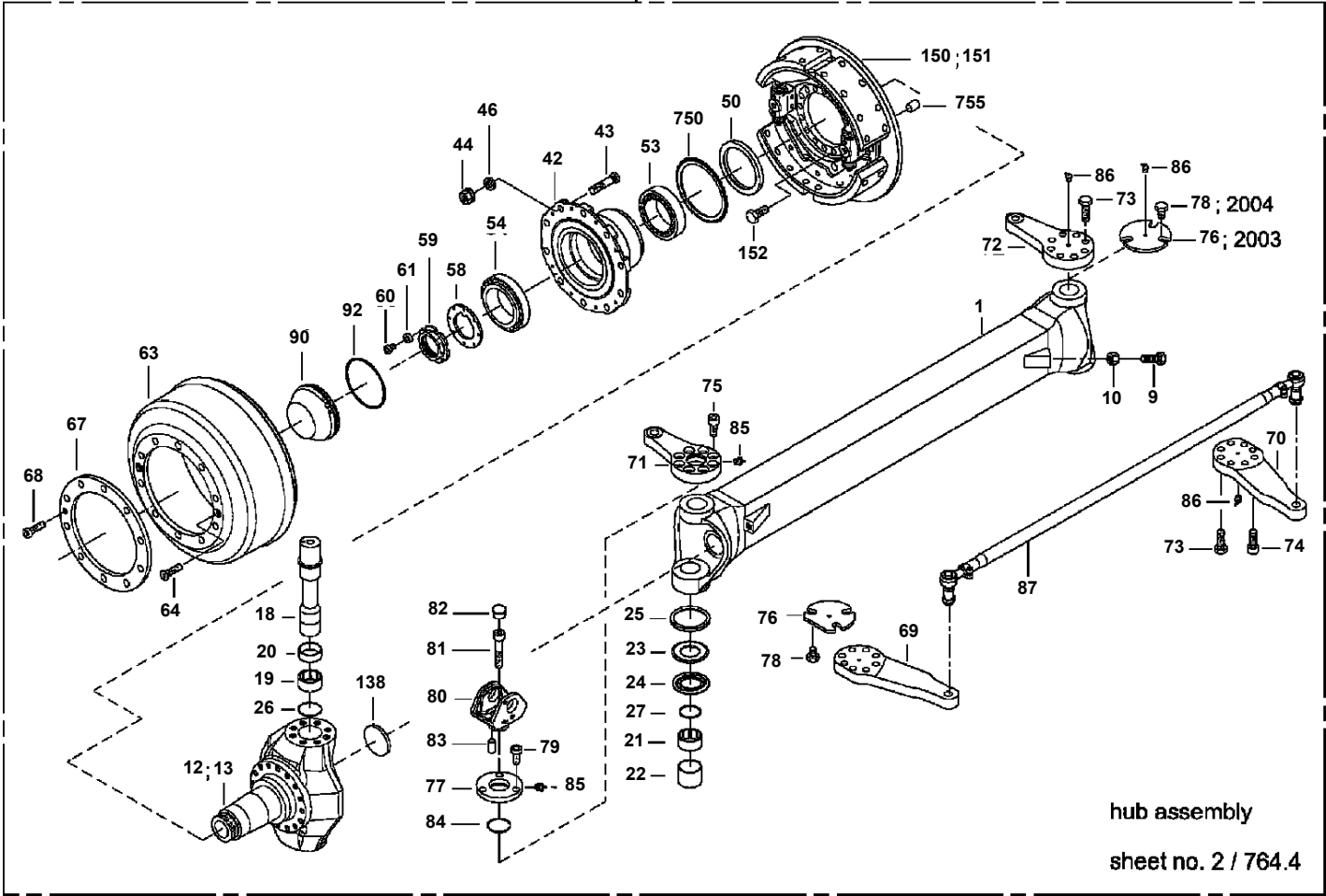
**TC-4255-2-00400 FOR AUSTRALIA(FOR GT-600EX-1)
PR1400084-00 TRANSMISSION (SHIFT CAB UNIT)**

10

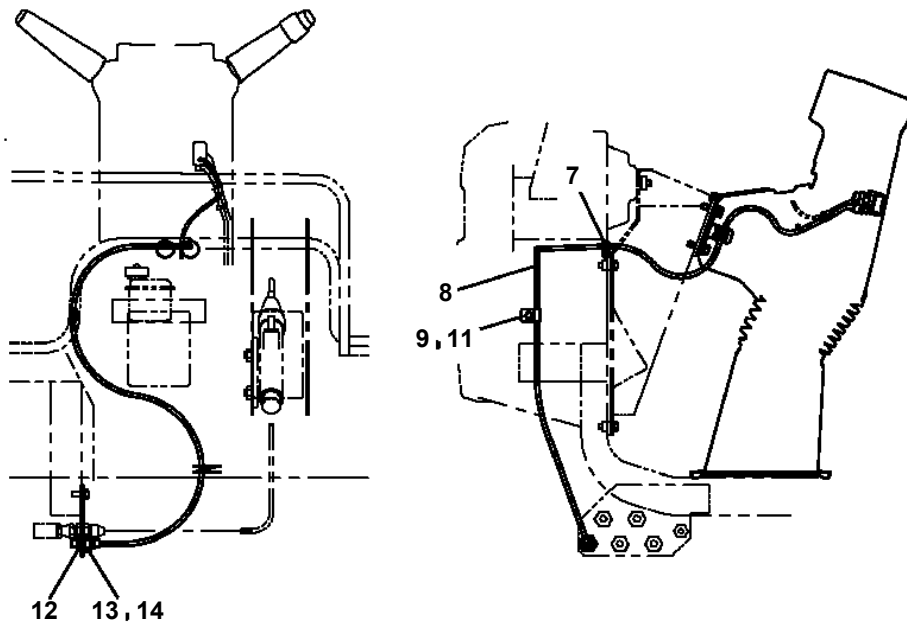
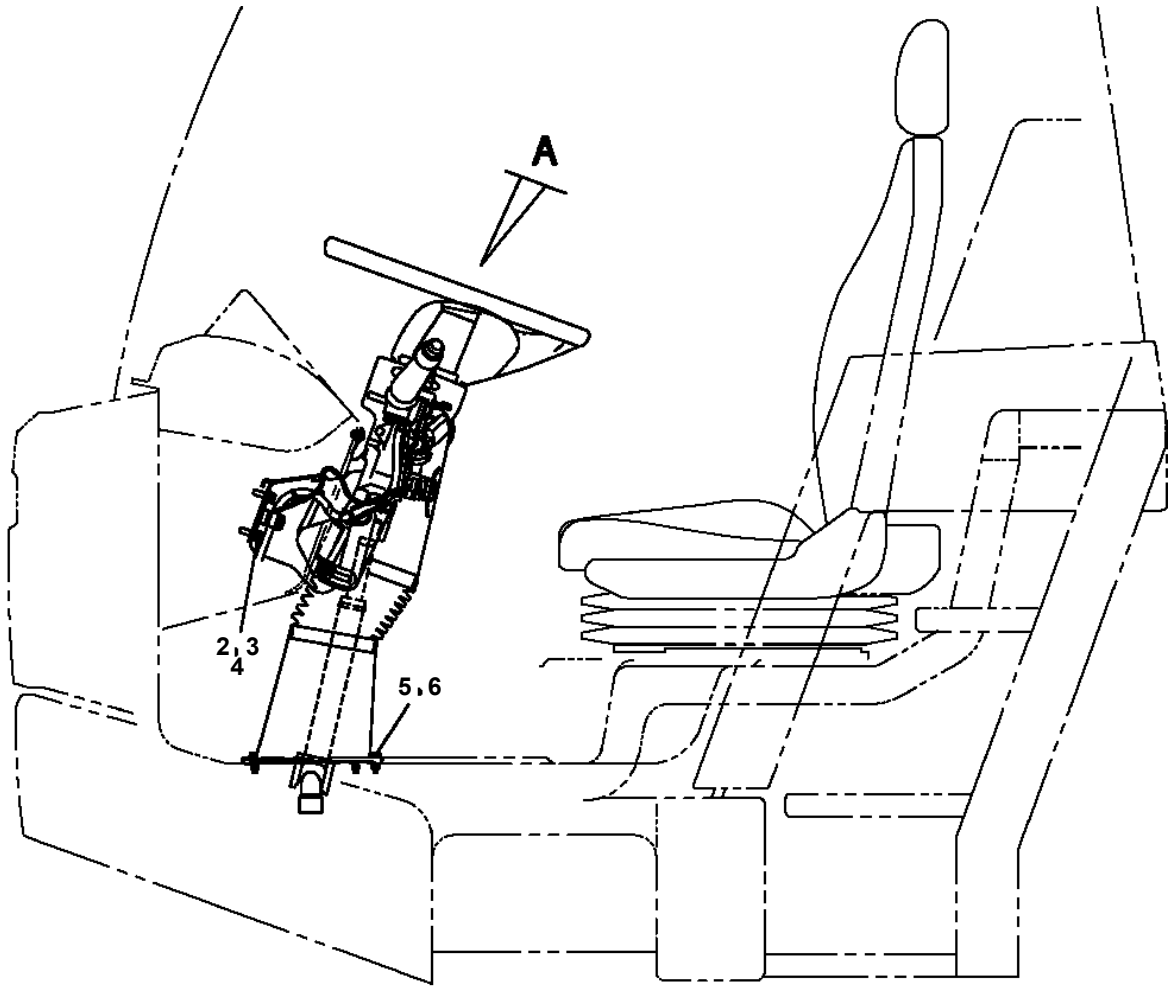


TC-4255-2-00400 FOR AUSTRALIA(FOR GT-600EX-1)
PR2010130-00 AXLE

999



TC-4255-2-00400 FOR AUSTRALIA(FOR GT-600EX-1)
PS1010066-04 OPE.ASSY,STEERING (CARRIER CAB)

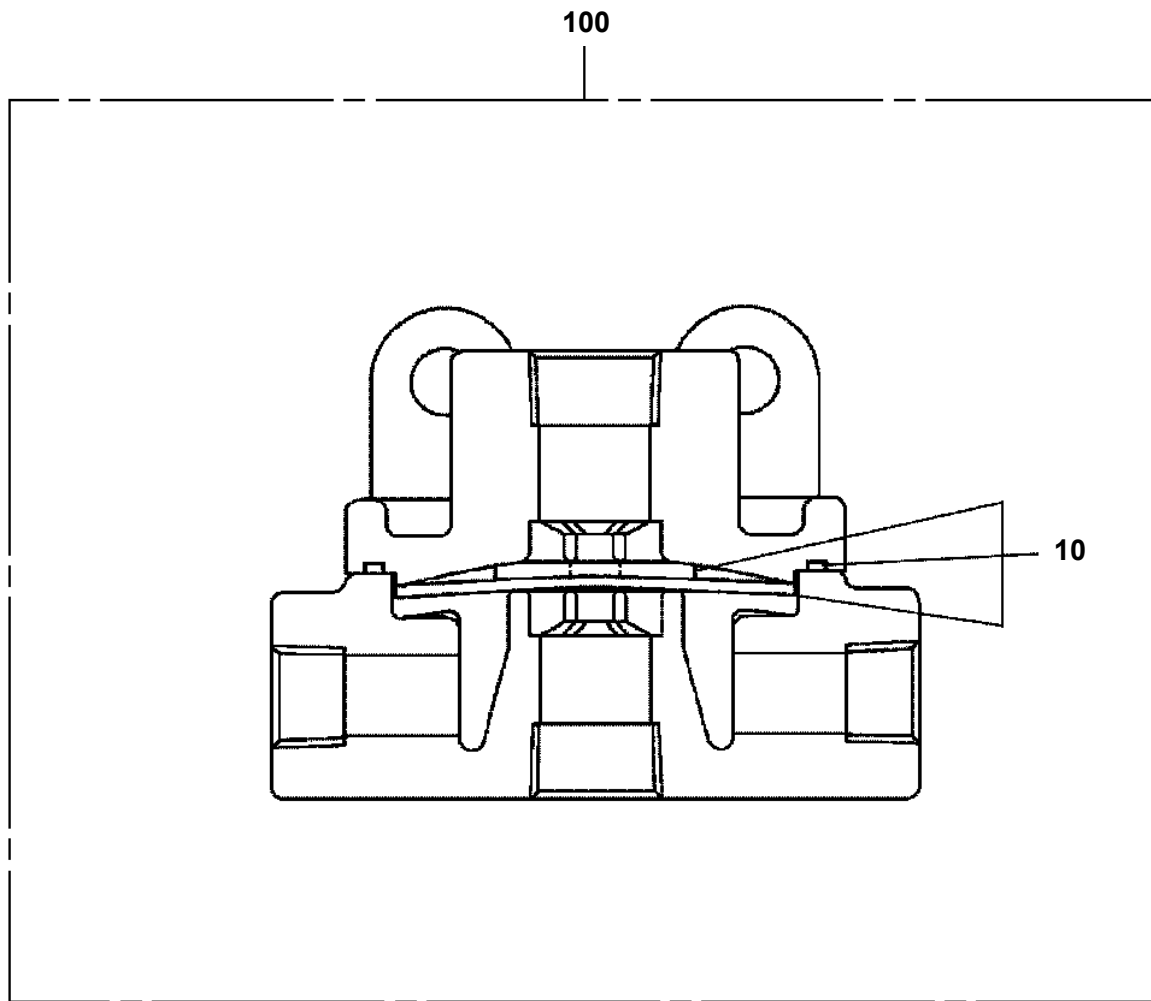


DETAILS OF ASSEMBLING AIR
TUBE FOR COLUMN

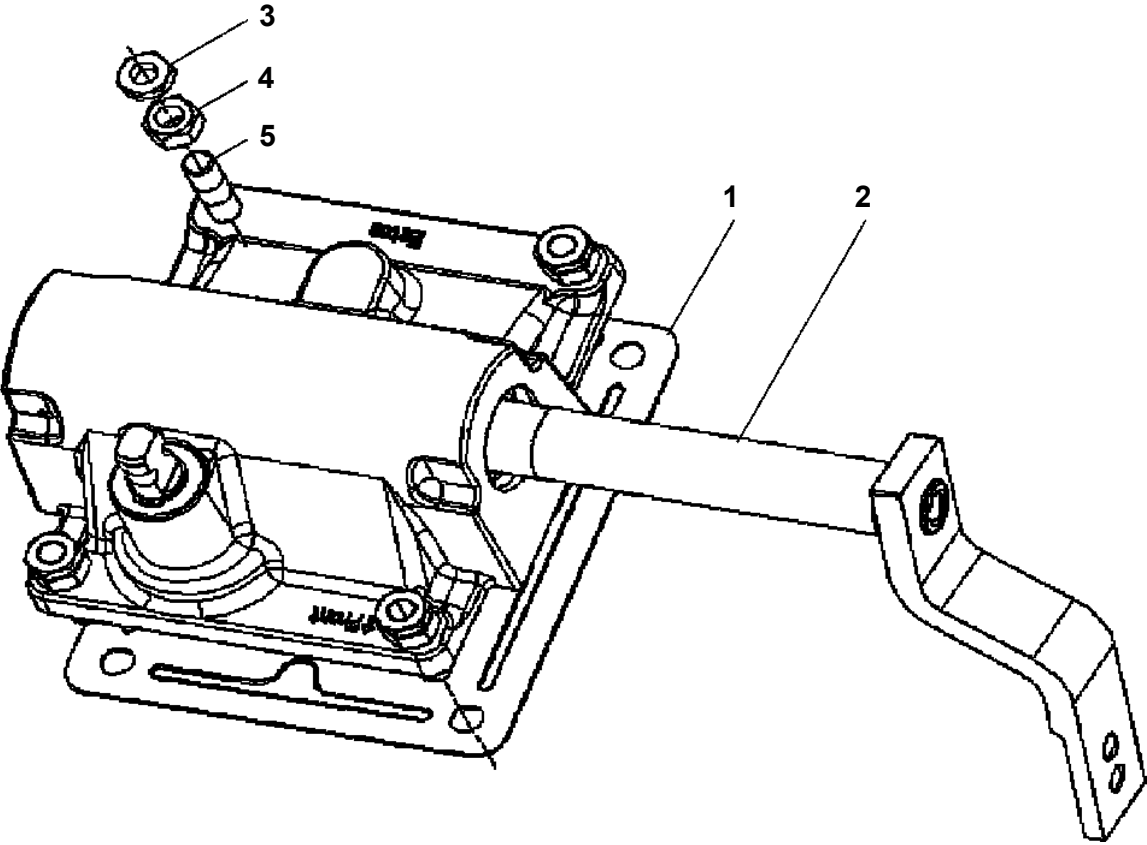
TC-4255-2-00400 FOR AUSTRALIA(FOR GT-600EX-1)

Pos No.	Parts No	Parts Name	Qty	Unit	Technical Data	Serial No (Start)	Serial No (End)	R
73	80331101522	FITTING,ELBOW	2					
74	80305010200	FITTING,TEE	1		KTA220-000N			
75	80331102222	FITTING,ELBOW	1					

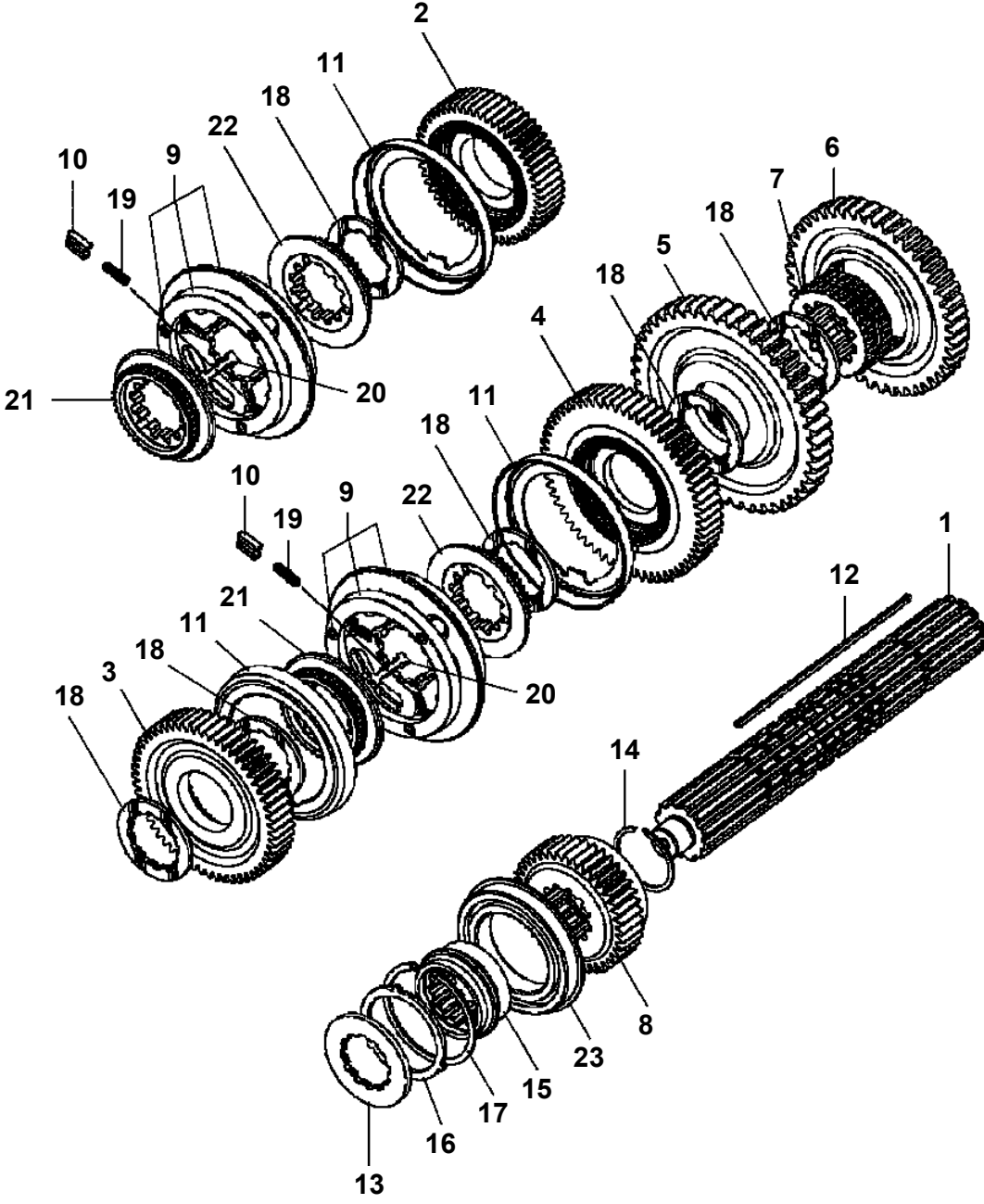
**TC-4255-2-00400 FOR AUSTRALIA(FOR GT-600EX-1)
PT1360002-00 VALVE,SAFETY**



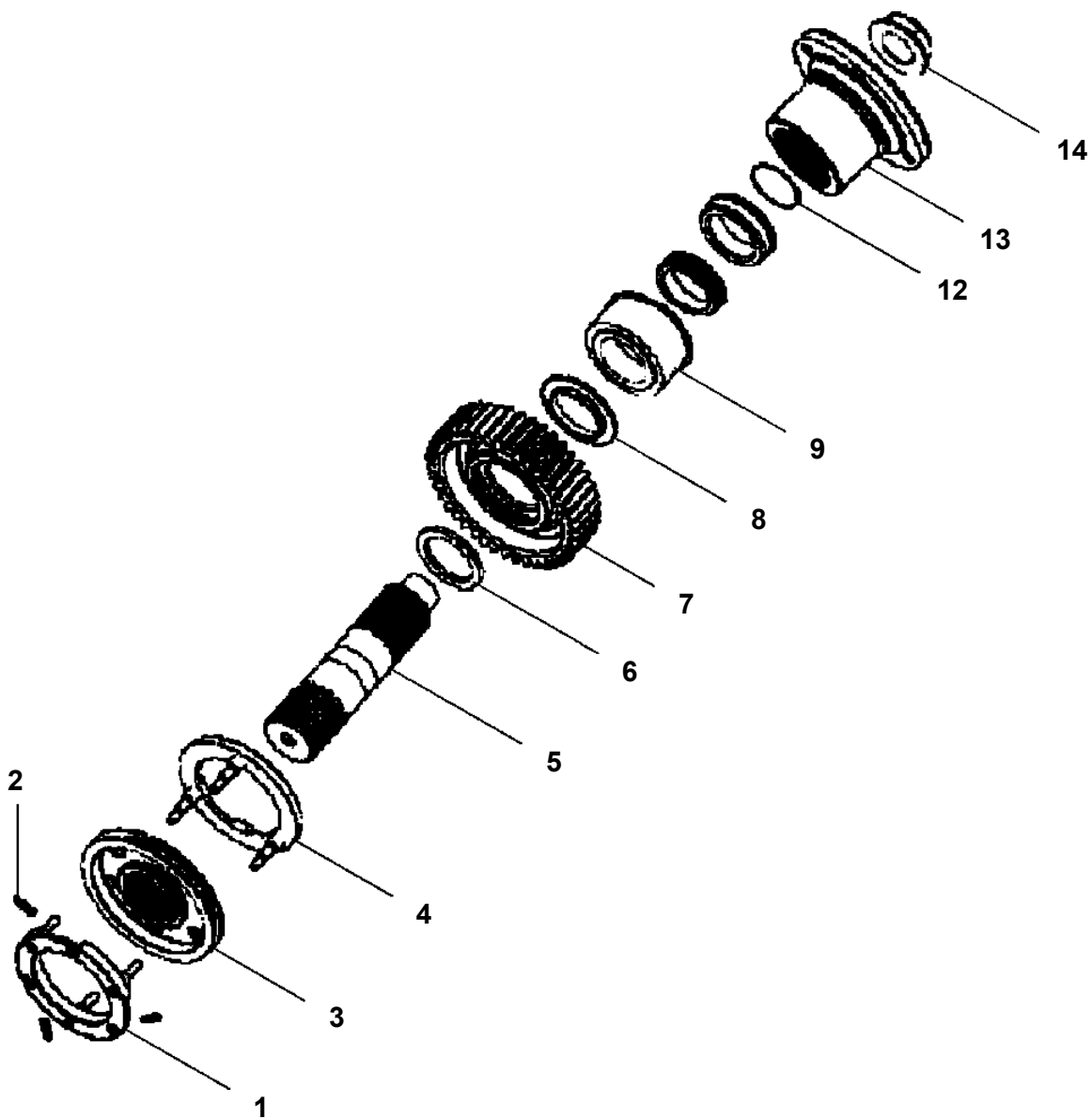
TC-4255-2-00400 FOR AUSTRALIA(FOR GT-600EX-1)
PT5650010-00 TRANSMISSION ASSY (REMOTE SHIFT ASSY)



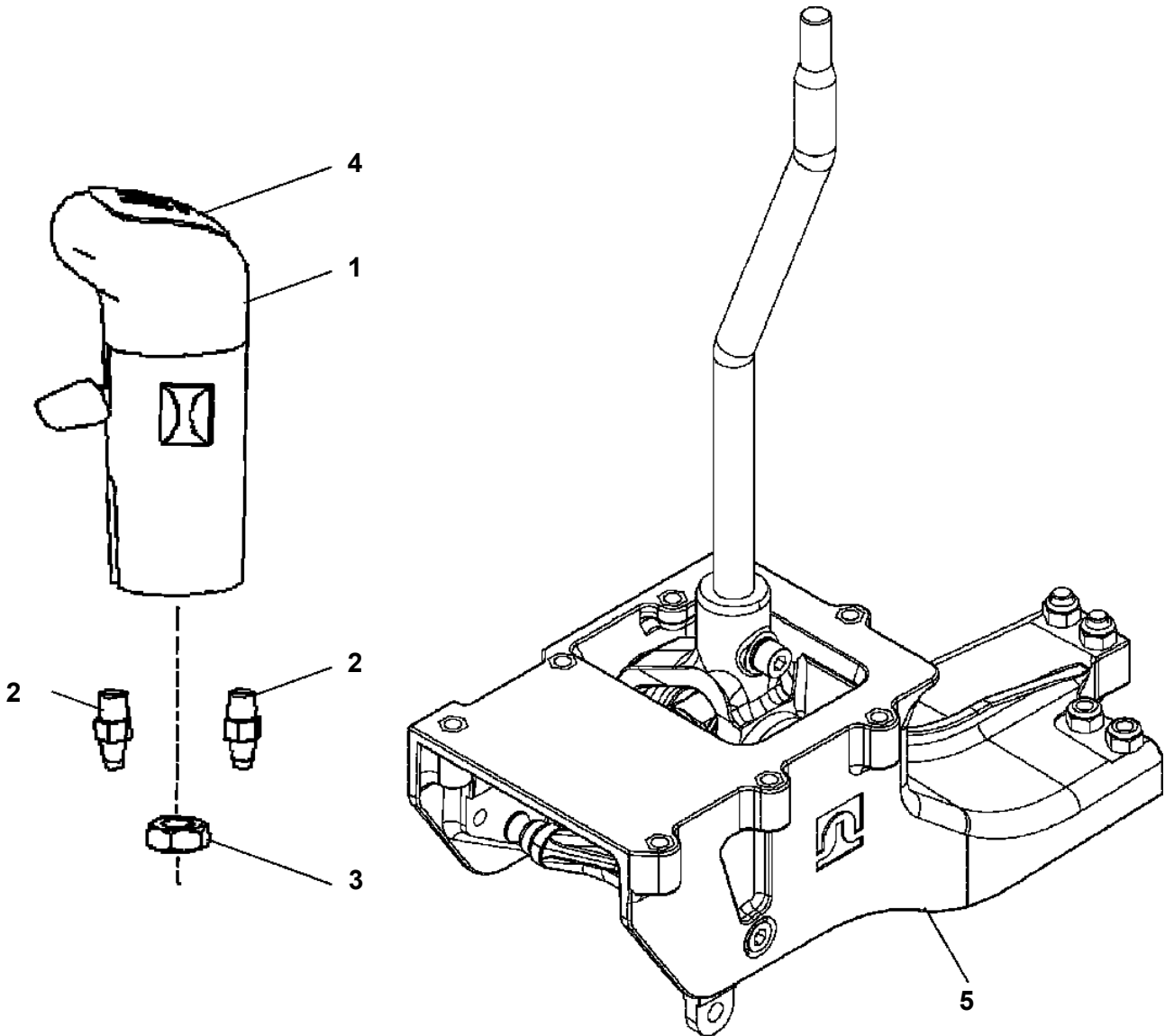
TC-4255-2-00400 FOR AUSTRALIA(FOR GT-600EX-1)
PT5650015-00 TRANSMISSION ASSY (MAINSHAFT ASSY)



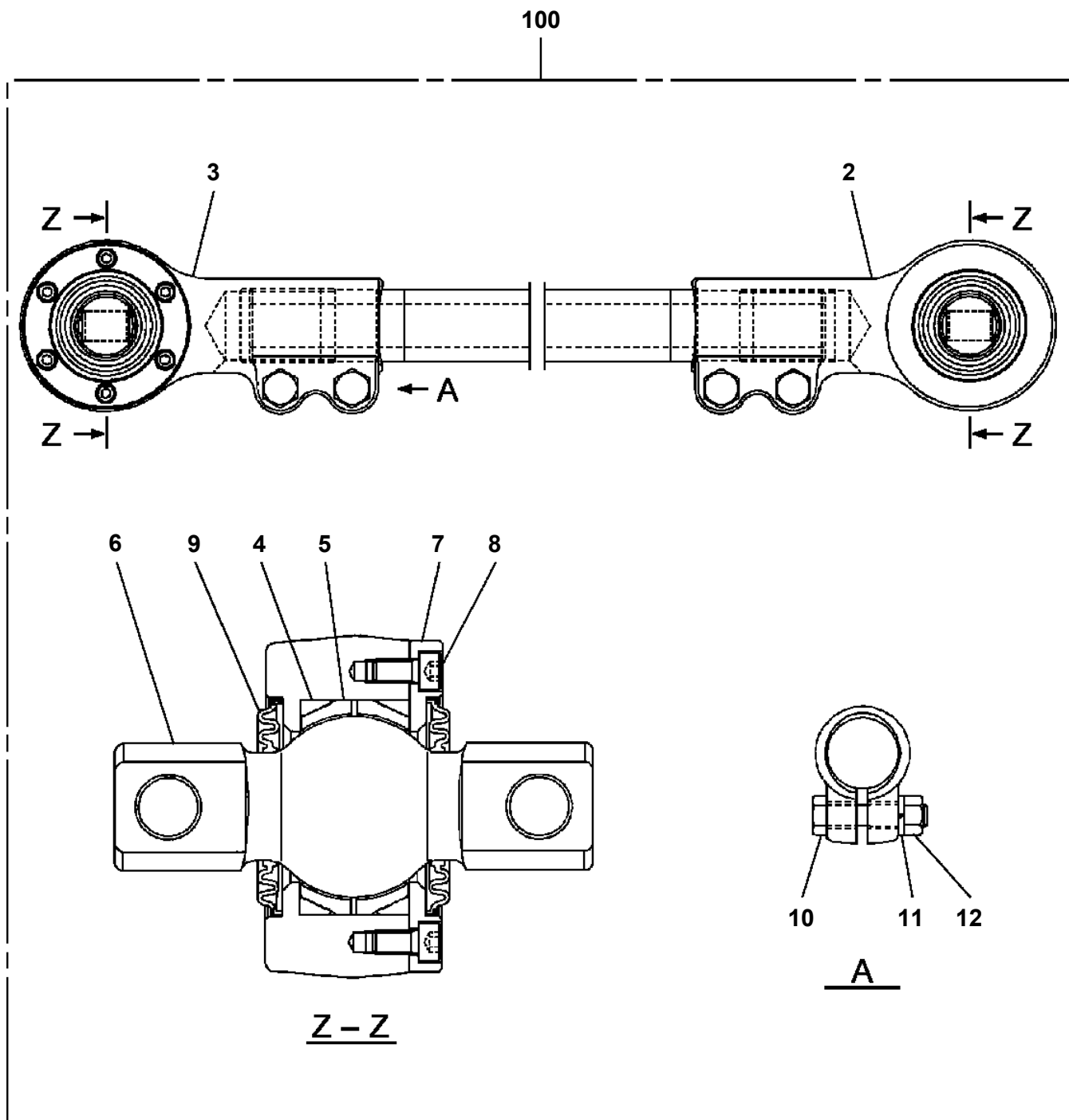
**TC-4255-2-00400 FOR AUSTRALIA(FOR GT-600EX-1)
PT5650020-00 TRANSMISSION ASSY (MAINSHAFT & SYNCHRO AUX)**



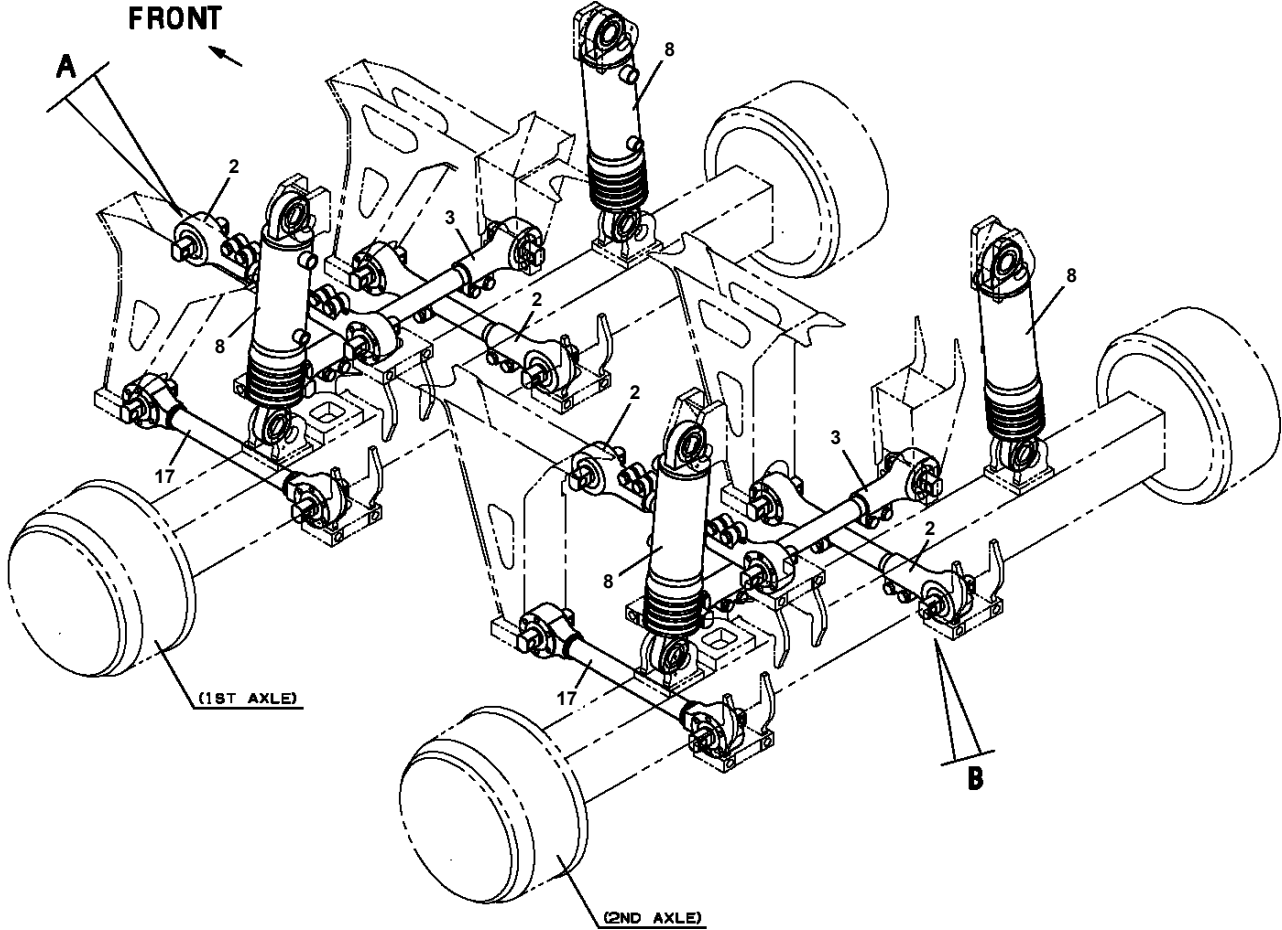
**TC-4255-2-00400 FOR AUSTRALIA(FOR GT-600EX-1)
PT5650025-00 TRANSMISSION ASSY (SHIFT CAB UNIT AND VALVE ASSY)**



TC-4255-2-00400 FOR AUSTRALIA(FOR GT-600EX-1)
PU1060007-00 ROD, TORQUE (ADJUST TYPE)



**TC-4255-2-00400 FOR AUSTRALIA(FOR GT-600EX-1)
PU1100078-00 MOUNT,SUSPENSION (FRONT)**



TC-4255-2-00400 FOR AUSTRALIA(FOR GT-600EX-1)

Pos No.	Parts No	Parts Name	Qty	Unit	Technical Data	Serial No (Start)	Serial No (End)	Remarks	Pages
1	35410251000	DETECTOR ASSY	2						000072
2	35410252000	DETECTOR ASSY	2						000073
3	33320950600	ROD ASSY	2						
4	33320950350	ROD ASSY	2						
5	90303071001	WASHER,PLAIN	24		10				
6	90280201000	NUT,FLANGE	16		M10				
31	90201201200	NUT	12		M12				
32	90302041201	WASHER,SPRING	8		12				
33	80565000121	END	4						
36	90291201200	NUT	4		M12				
37	80565000122	END	4						

TC-4255-2-00400 FOR AUSTRALIA(FOR GT-600EX-1)

Pos No.	Parts No	Parts Name	Qty	Unit	Technical Data	Serial No (Start)	Serial No (End)	Rema
1	37003901660	WHEEL,TIRE (CENTURION)	1		22.5X11.75	DC0781	DC0780	
	37003901820	WHEEL,TIRE (MEFRO)	1		22.5X11.75			
2	37003805120	TIRE (MICHELIN)	1		385/65R22.5 20PR			

TC-4255-2-00400 FOR AUSTRALIA(FOR GT-600EX-1)

Pos No.	Parts No	Parts Name	Qty	Unit	Technical Data	Serial No (Start)	Serial No (End)	Remarks	Pa
1	37003901820	WHEEL,TIRE (MEFRO)	1		22.5X11.75				
2	37003805430	TIRE (BRIDGESTONE)	1		385/65R22.5				

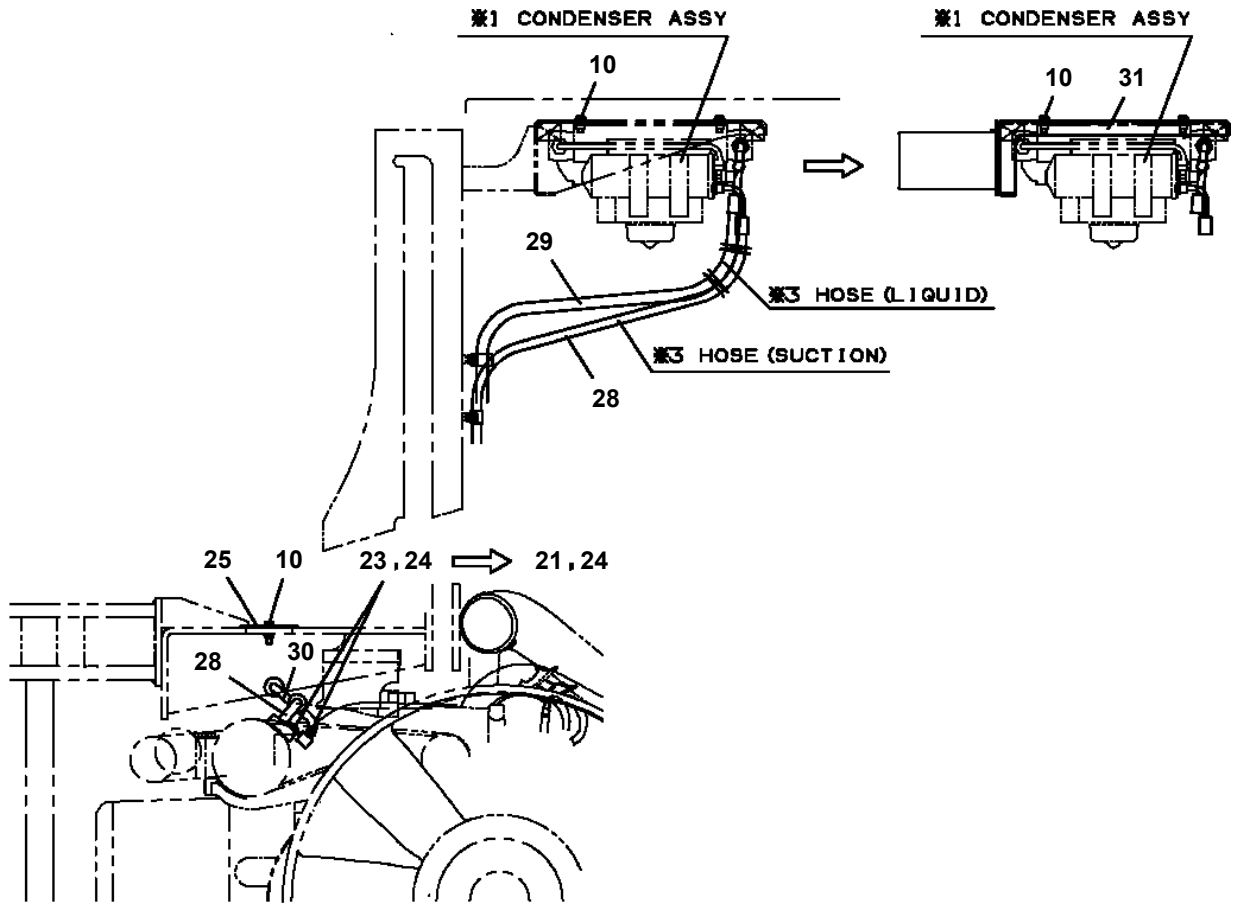
TC-4255-2-00400 FOR AUSTRALIA(FOR GT-600EX-1)

Pos No.	Parts No	Parts Name	Qty	Unit	Technical Data	Serial No (Start)	Serial No (End)	Remarks	Pages
1	36102930001	TANK,OIL	1						000020
3	34760730100	BAND	3						
4	37000104230	PIN	3						
5	80136332025	PIN,SPLIT	3		3.2X25				
6	90303071201	WASHER,PLAIN	3		12				
7	90201201000	NUT	6		M10				
31	33880270100	PLATE	2						
32	35610121100	SUPPORT	1						
35	33760030200	CUSHION	3		T=6				

TC-4255-2-00400 FOR AUSTRALIA(FOR GT-600EX-1)

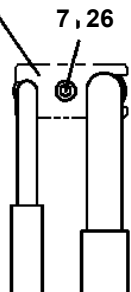
Pos No.	Parts No	Parts Name	Qty	Unit	Technical Data	Serial No (Start)	Serial No (End)	Remarks	Pages
1	34761005100	BOX,TOOL	1						
2	90186210020	BOLT,FLANGE	6		M10X20		DC0916		
	90186210025	BOLT,FLANGE	6		M10X25	DC0917			
3	34312070600	PLATE	6						
4	91901200300	KEY	1						
5	37000571860	PLATE	2						
6	90303071001	WASHER,PLAIN	6		10	DC0917			
33	82464110208	HINGE	2						
37	82466022800	CATCH	1						
41	34761009512	COVER ASSY	1				DC0809		
	34761009513	COVER ASSY	1			DC0810			
47	80172304014	SCREW,MACHINE	2		M4X14				
48	90302040401	WASHER,SPRING	2		4				

**TC-4255-2-00400 FOR AUSTRALIA(FOR GT-600EX-1)
PX5010301-00 MOUNT ASSY (CONDENSER)**

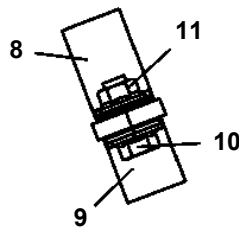


E-E

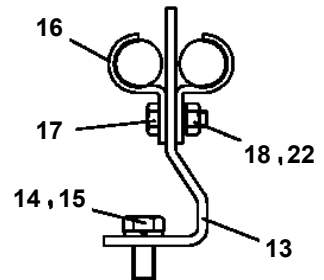
❶1 PLATE (FLANGE)



B

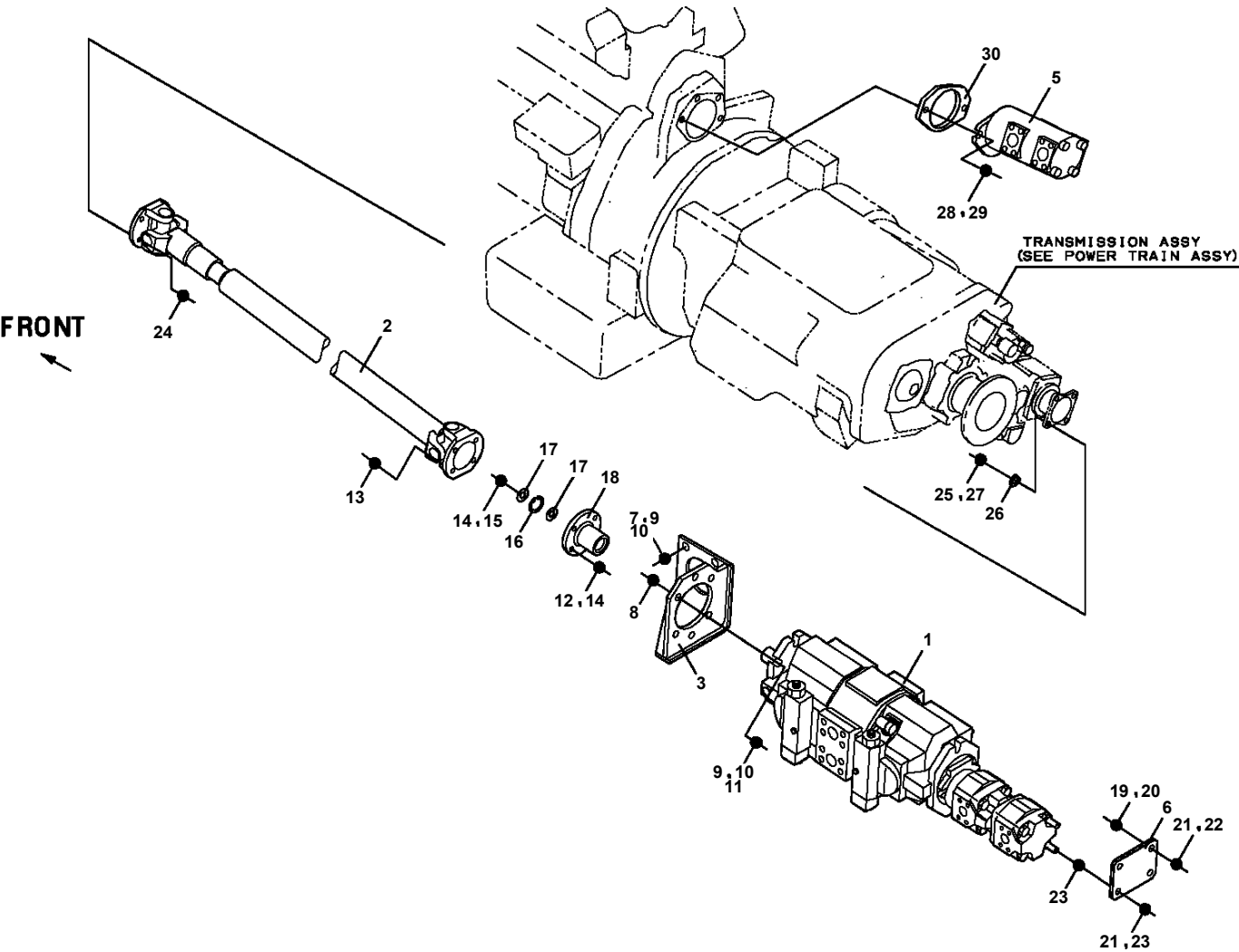


A

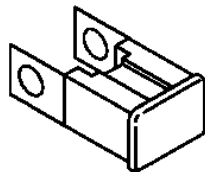


D

**TC-4255-2-00400 FOR AUSTRALIA(FOR GT-600EX-1)
PX5590014-00 MOUNT ASSY,PUMP**



TC-4255-2-00400 FOR AUSTRALIA(FOR GT-600EX-1)
 PY5020053-00 ACCESSORIES ASSY

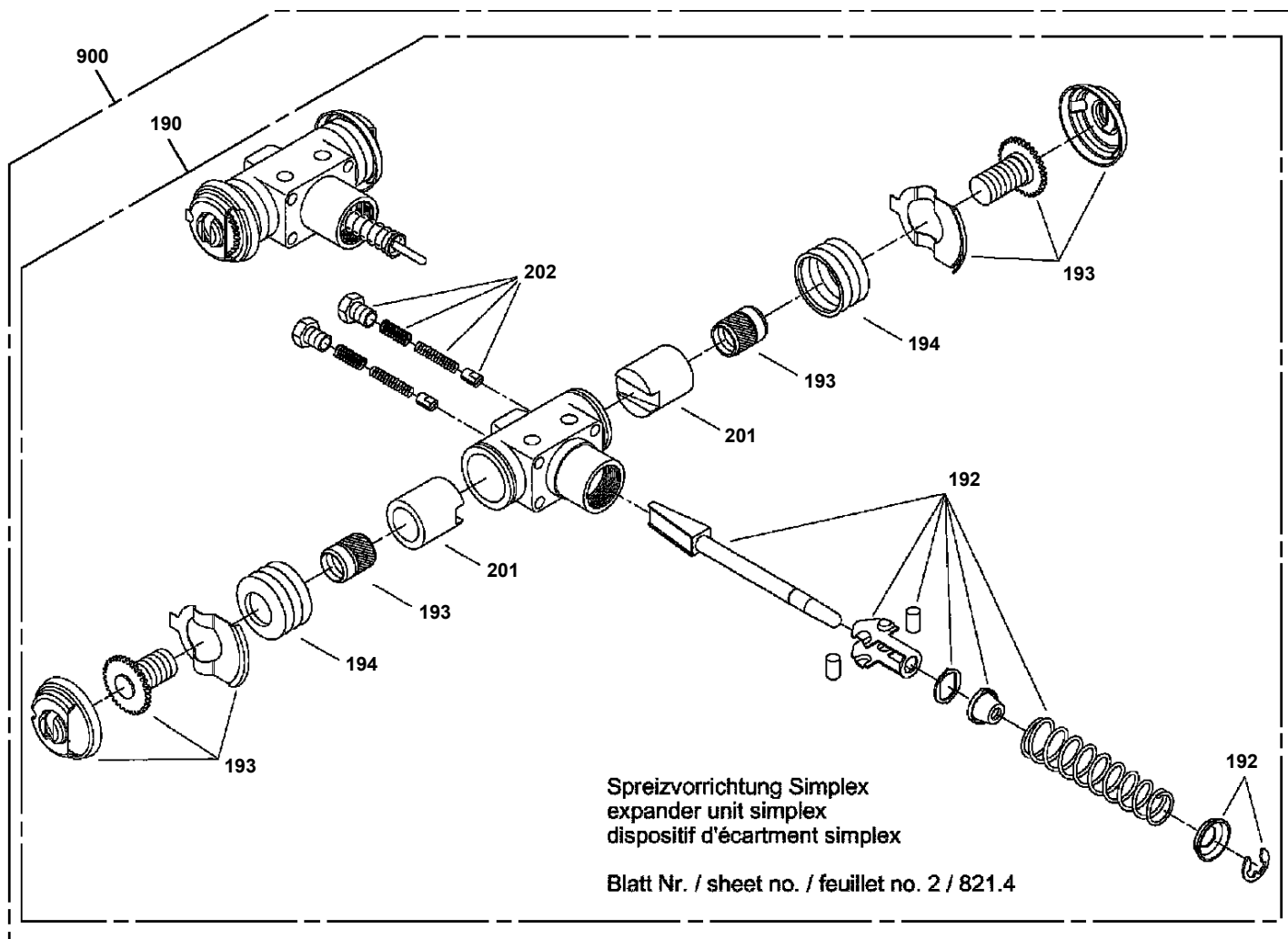


ヒューズ FUSE	
2	(30A) バッテリスイッチ電源用 (30A) FOR BATTERY SWITCH POWER SUPPLY
3	(50A) バッテリスイッチ電源用 (50A) FOR BATTERY SWITCH POWER SUPPLY

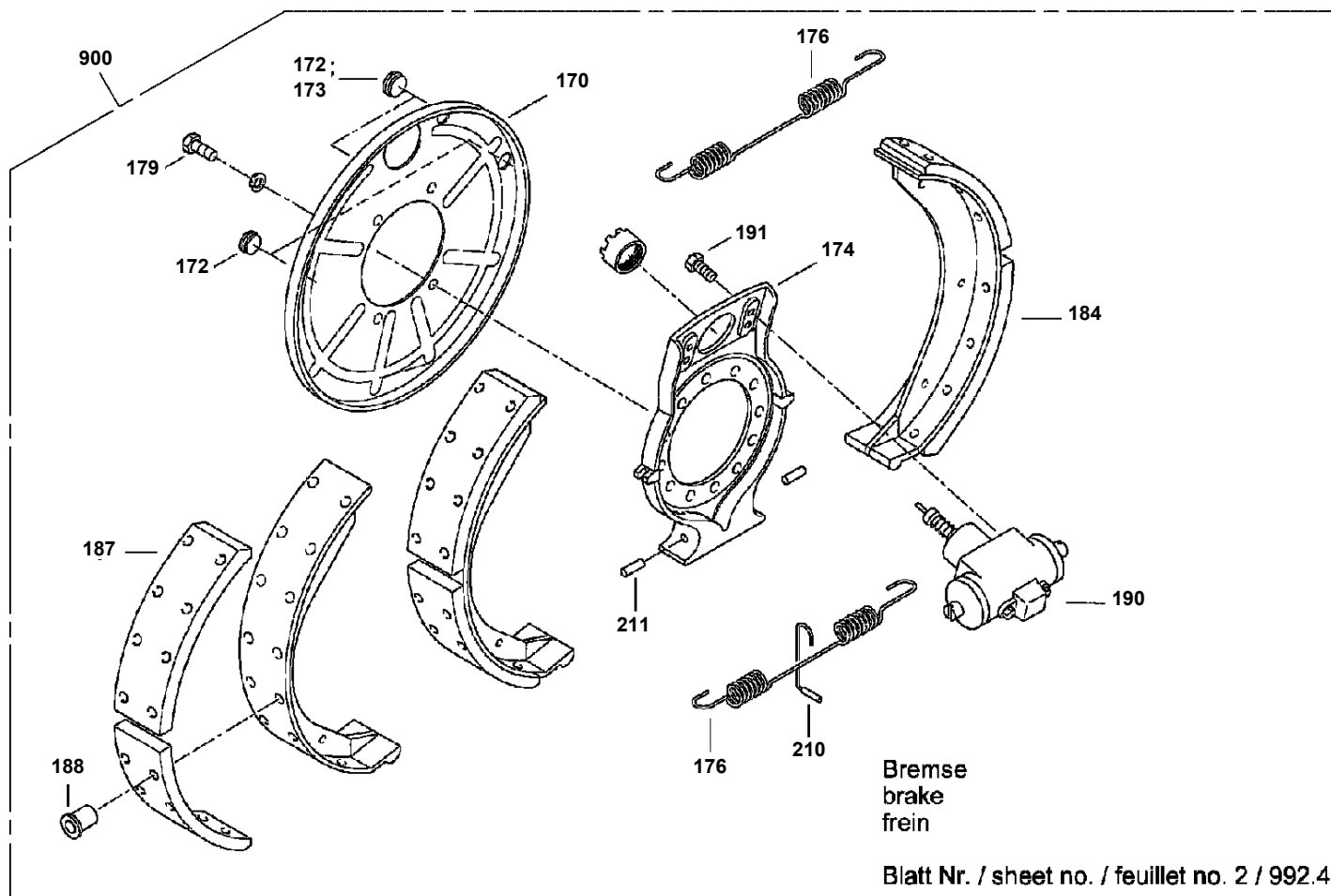


ホース HOSE	
4	φ8×φ6×1000mm 上部アクセル回路エア抜き用 FOR BLEEDING UPPER ACCEL. CIRCUIT
5	φ11×φ9×1000mm T/Mクラッチ回路エア抜き用 FOR BLEEDING T/M CLUTCH CIRCUIT

TC-4255-2-00400 FOR AUSTRALIA(FOR GT-600EX-1)
PY5330005-00 AXLE ASSY (3RD)



TC-4255-2-00400 FOR AUSTRALIA(FOR GT-600EX-1)
PY5330006-01 AXLE ASSY (4TH)



展開圖有
ILLUSTRATED BREAKDOWN NO.190

CLICK HERE TO **DOWNLOAD** THE COMPLETE MANUAL

- Thank you very much for reading the preview of the manual.
- You can download the complete manual from: www.heydownloads.com by clicking the link below



- Please note: If there is no response to CLICKING the link, please download this PDF first and then click on it.

CLICK HERE TO **DOWNLOAD** THE COMPLETE MANUAL