

AW-215-1-00201 3 BOOM,WHEEL TYPE

**PB1000051-01 HYDRAULIC PRESSURE GENERATING SYSTEM
PD1000048-00 SWING SYSTEM
PE1000048-00 ELEVATING SYSTEM
PG1000049-00 TELESCOPING SYSTEM
PH1000048-02 SAFETY DEVICES
PI1000049-01 HYDRAULIC DEVICES
PJ3000005-01 PLATFORM SYSTEM
PK1000049-00 FRAME
PL1000049-01 CONTROL DEVICES
PM1000009-00 LUBRICATION DEVICES
PN1000046-01 ELECTRIC EQUIPMENT
PO1000049-00 INDICATION PLATES
PQ1000010-00 DRIVING POWER GENERATING SYSTEM
PR2000000-00 AXLE SYSTEM
PS1000004-00 STEERING SYSTEM
PW1000043-00 ACCESSORIES & TOOLS
PX1000048-02 MOUNTING PARTS
PY1000040-03 OPTIONS
ASSEMBLY**

CLICK HERE TO **DOWNLOAD** THE COMPLETE MANUAL

- Thank you very much for reading the preview of the manual.
- You can download the complete manual from: www.heydownloads.com by clicking the link below



- Please note: If there is no response to CLICKING the link, please download this PDF first and then click on it.

CLICK HERE TO **DOWNLOAD** THE COMPLETE MANUAL

AW-215-1-00201 3 BOOM,WHEEL TYPE

Pos No.	Parts No	Parts Name	Qty	Unit	Technical Data	Serial No (Start)	Serial No (End)
1	(*****)	DETECTOR SYSTEM,BOOM ANGLE	1				
2	(*****)	PARTS ASSY,ELECTRICITY	1				
	(*****)	DETECTOR,FRAME ANGLE (OPTION)	1				
5	3611125000	WORKING AREA LIMITER	1				
6	(*****)	CONNECTION,AWL SYSTEM	1				
7	(*****)	BUZZER (OPTION, FOOT SWITCH)	1				

AW-215-1-00201 3 BOOM,WHEEL TYPE

Pos No.	Parts No	Parts Name	Qty	Unit	Technical Data	Serial No (Start)	Serial No (End)	Remarks	Pages
1	(*****)	PIPING,GREASE	1						000082

AW-215-1-00201 3 BOOM,WHEEL TYPE

Pos No.	Parts No	Parts Name	Qty	Unit	Technical Data	Serial No (Start)	Serial No (End)	Re
1	(*****)	OPERATION SYSTEM, STEERING	1					
2	36060690000	CYLINDER,STEERING	1					

AW-215-1-00201 3 BOOM,WHEEL TYPE

Pos No.	Parts No	Parts Name	Qty	Unit	Technical Data	Serial No (Start)	Serial No (End)	Remarks
8	90131512030	BOLT,HEXAGON SOCKET	16		M12X30			
9	90302041201	WASHER,SPRING	16		12			
10	91002909500	O-RING	2		1B G95			
11	36650185030	SEAL,OIL	1					
12	36650185040	SEAL,OIL	1					
13	80602110480	RING,RITAINING	1		R48			
19	36650205020	JOINT	1					
20	91002905000	O-RING	1		1B G50			
21	90131508030	BOLT,HEXAGON SOCKET	4		M8X30			
22	90302040801	WASHER,SPRING	4		8			
30	90131510075	BOLT,HEXAGON SOCKET	32		M10X75			
31	90302041001	WASHER,SPRING	32		10			
32	91002907500	O-RING	4		1B G75			
37	36650495010	JOINT	1					
38	91002905000	O-RING	1		1B G50			
39	90131508030	BOLT,HEXAGON SOCKET	4		M8X30			
40	90302040801	WASHER,SPRING	4		8			
50	36650765010	PUMP ASSY (NO.1)	1					
60	36650765020	PUMP ASSY (NO.2)	1					
70	36650765030	PUMP ASSY (NO.3)	1					
100	36650760000	PUMP,HYDRAULIC	1					

AW-215-1-00201 3 BOOM,WHEEL TYPE

Pos No.	Parts No	Parts Name	Qty	Unit	Technical Data	Serial No (Start)	Serial No (End)	Remarks
2	36630925020	HOUSING (OUTLET)	1					
3	36631715010	VALVE,CONTROL	3					
5	36630925080	TIE ROD	3					
6	36630925090	NUT	6					
11	36630925010	HOUSING (INLET)	1					
12	91001205500	O-RING	1		1A G55			
21	36631715020	END,SPOOL (KIT)	3					
27	36630925270	CAP	3					
28	36630925170	PLATE (SEAL)	6					
30	36630925180	SPRING	3					
31	36630925190	WIPER	6					
32	91001101200	O-RING	6		1A P12			
33	91001205500	O-RING	3		1A G55			
34	36631535110	BRACKET	3					
35	36630925220	BOLT,HEXAGON SOCKET	6					
36	36631025050	BOLT,HEXAGON SOCKET	6					
41	36630925060	PLUG	1					
42	91002801800	O-RING	1		1B P18			
43	91002801400	O-RING	1		1B P14			
50	36631710000	VALVE,MANUAL CONTROL	1					

AW-215-1-00201 3 BOOM,WHEEL TYPE

Pos No.	Parts No	Parts Name	Qty	Unit	Technical Data	Serial No (Start)	Serial No (End)	Remark
1	36601240000	VALVE,COUNTERBALANCE	1					
2	90101510090	BOLT	4		M10X90			
3	90302041001	WASHER,SPRING	4		10			
4	44340015300	CLAMP ASSY	1					
5	44340015200	CLAMP ASSY	1					
6	19491064020	HOSE	1		L=1120			
7	37002409360	HOSE	1		L=1000			
8	37002413640	HOSE	1		L=2650			
9	37002417850	HOSE	1		L=2650			
10	80430621200	JOINT	1					
11	80400160131	JOINT	1					
12	91002801800	O-RING	1		1B P18			
13	37002413660	HOSE	1		L=2000			
14	37002413670	HOSE	1		L=2000			
15	37002410970	HOSE	2		L=1650			
16	91800000005	FASTENER	8					
17	82100001412	TUBE,SPIRAL	2	M	SE-12BK			
21	91002802400	O-RING	1		1B P24			

AW-215-1-00201 3 BOOM,WHEEL TYPE

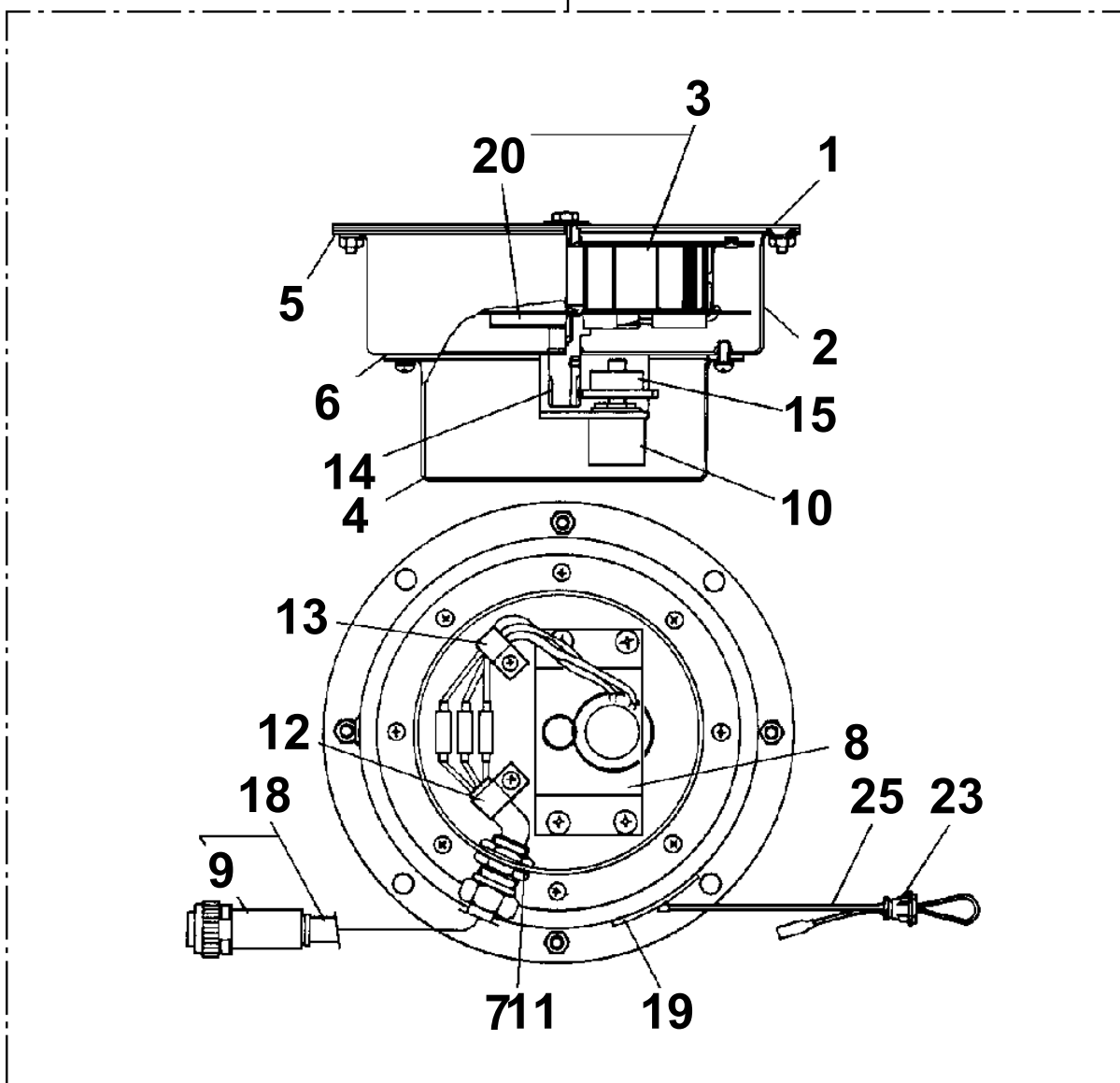
Pos No.	Parts No	Parts Name	Qty	Unit	Technical Data	Serial No (Start)	Serial No (End)	Rem
1	81408000290	PIPE,STEEL	1	M	22X2.5T			
2	81408000290	PIPE,STEEL	1	M	22X2.5T			
3	81408000241	PIPE,STEEL	1	M	18X1.9T			
4	81408000241	PIPE,STEEL	1	M	18X1.9T			
5	81408000241	PIPE,STEEL	1	M	18X1.9T			
6	81408000241	PIPE,STEEL	1	M	18X1.9T			
7	81408000130	PIPE,STEEL	1	M	10X1.8T			
8	81408000130	PIPE,STEEL	1	M	10X1.8T			
9	81408000130	PIPE,STEEL	1	M	10X1.8T			
10	81408000130	PIPE,STEEL	1	M	10X1.8T			
11	81408000241	PIPE,STEEL	1	M	18X1.9T			
12	81408000241	PIPE,STEEL	1	M	18X1.9T			
13	81408000160	PIPE,STEEL	2	M	12X1.4T			
14	81408000160	PIPE,STEEL	2	M	12X1.4T			
15	81408000160	PIPE,STEEL	1	M	12X1.4T			
16	81408000160	PIPE,STEEL	1	M	12X1.4T			
17	80305050090	FITTING,TEE	1		KTK12-020N			
18	81408000160	PIPE,STEEL	1	M	12X1.4T			
19	81408000160	PIPE,STEEL	1	M	12X1.4T			
20	81408000160	PIPE,STEEL	1	M	12X1.4T			
21	81408000160	PIPE,STEEL	1	M	12X1.4T			
22	37002413750	HOSE	2		L=1400			
23	90131510030	BOLT,HEXAGON SOCKET	8		M10X30			
24	90302041001	WASHER,SPRING	16		10			
25	82100002017	CLAMP	2		WR30			
26	90101508020	BOLT	2		M8X20			
27	90302040801	WASHER,SPRING	19		8			
28	37002413210	HOSE	1		L=450			
29	80430450850	JOINT	1					
30	80320010140	FITTING	1		KUD18-040N			
31	80303130241	FITTING,ELBOW	2		KLO18-040E			
32	80302090281	FITTING	1		KCO22-060N			
33	36610310001	VALVE,DIVIDER & COMBINE	1					
34	90101208090	BOLT	3		M8X90			
35	90201200800	NUT	3		M8			
36	91002802400	O-RING	1		1B P24			
37	80330001300	FITTING,TEE	3		KTR18-120N			
38	80320010180	FITTING	2		KUD22-060N			
39	80302010170	FITTING	2		KCT12-040N			
40	80302090121	FITTING	2		KCO10-030N			
41	91002801400	O-RING	2		1B P14			
42	80302090241	FITTING	1		KCO18-040N			
43	91002801800	O-RING	5		1B P18			
44	80330000200	FITTING,TEE	1		KTZ-00004N			
45	80302010240	FITTING	4					
46	80302010100	FITTING	2		KCT10-020N			
47	80305010100	FITTING,TEE	2		KTA12-000N			
48	80302010140	FITTING	5		C717KCT12-020N			
49	90101210020	BOLT	8		M10X20			
50	90101208016	BOLT	2		M8X16			
51	90101208022	BOLT	4		M8X22			
52	90101208045	BOLT	2		M8X45			
53	44640010870	CLAMP	1					
54	44640010880	CLAMP	2					
55	44640010890	CLAMP	1					
56	44640010900	SUPPORT	1					
57	44640040350	JOINT	1					
58	44640222500	SUPPORT	1					
59	44640222600	SUPPORT	1					
60	44640222700	JOINT	2					
61	44640222800	JOINT	1					
62	44640222900	JOINT	1					
63	44640223000	CLAMP	2					

AW-215-1-00201 3 BOOM,WHEEL TYPE

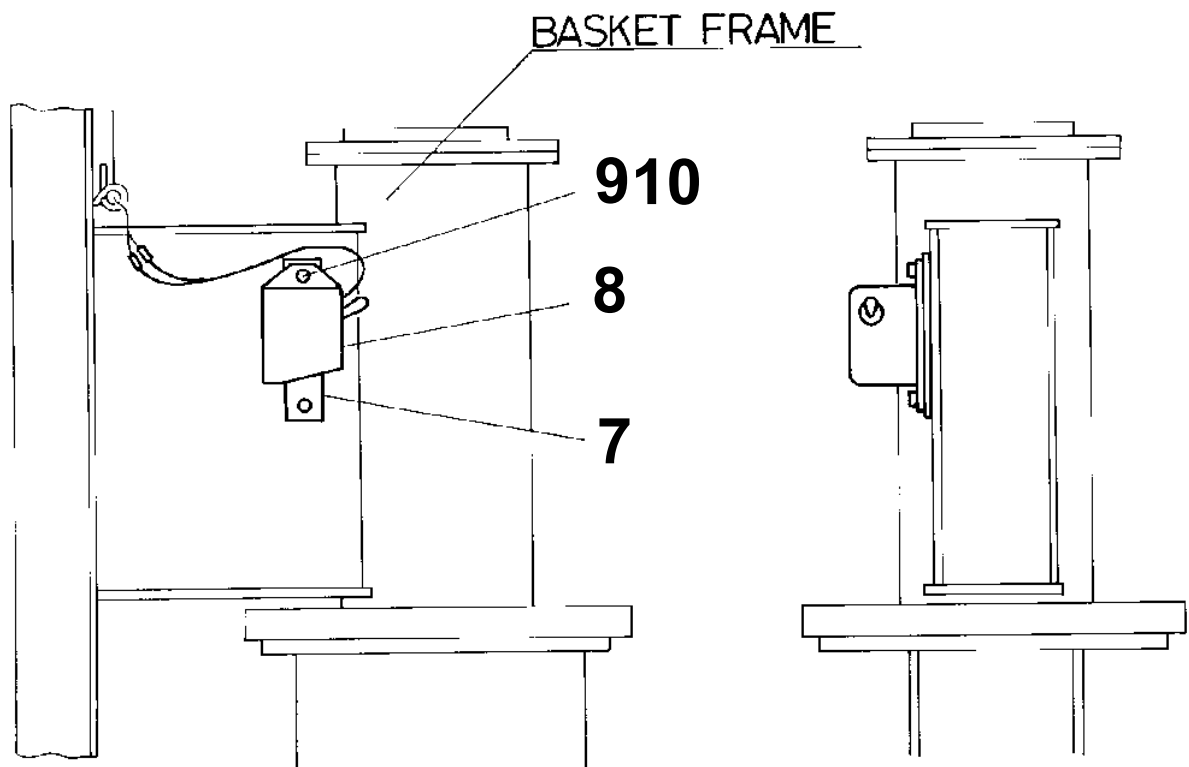
Pos No.	Parts No	Parts Name	Qty	Unit	Technical Data	Serial No (Start)	Serial No (End)	Remarks
3	36020715030	PISTON	1					
4	91684008000	PACKING	2					
5	91411207100	RING,BACKUP	2					
6	91002802600	O-RING	1		1B P26			
7	91300008000	BEARING,PLAIN	1					
8	90302040301	WASHER,SPRING	1		3			
9	90209703009	NUT	1		M30			
10	36020615060	COLLAR	1					
11	80801003020	BEARING,PLAIN	2					
12	80612110500	RING,RITAINING	1		AR50			
14	91002908000	O-RING	1		1B G80			
15	91411108000	RING,BACKUP	1		G80			
17	91694004501	PACKING	1					
18	91410204501	RING,BACKUP	1					
19	91660004500	SEAL,DUST	1					
20	80622000450	RING,RITAINING	1		SP45			
21	36021095050	BEARING,SPHERICAL	1					
22	36021095060	BOOT	1					
23	91801301100	CLIP	1					
24	91801300480	CLIP	1		D=43-48			
31	36021095070	CYLINDER ASSY	1					
32	36021095080	ROD ASSY	1					
33	36020715080	COVER,ROD	1					
50	36021090000	CYLINDER,LEVELING	1					
60	36621350000	VALVE,CHECK	1					
70	90131510050	BOLT,HEXAGON SOCKET	4		M10X50			

AW-215-1-00201 3 BOOM,WHEEL TYPE
PG1130053-00 DETECTOR,BOOM LENGTH

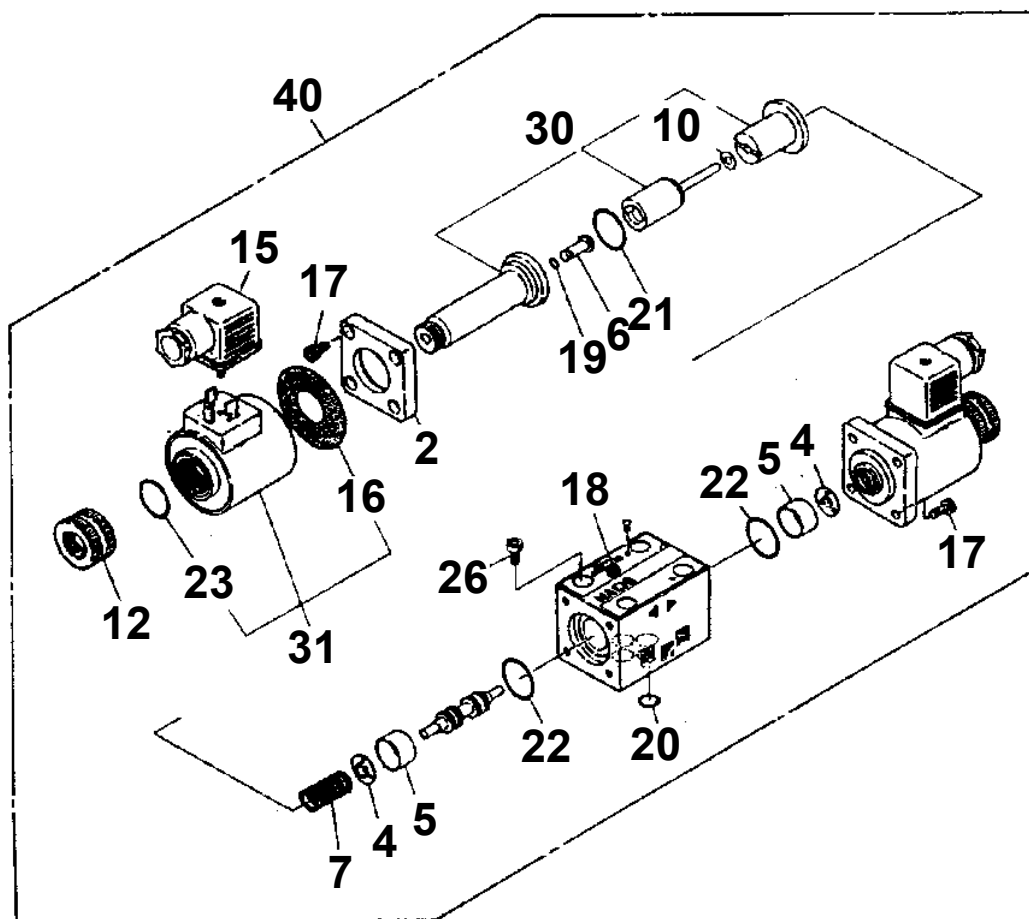
60



**AW-215-1-00201 3 BOOM, WHEEL TYPE
PH1500003-00 BUZZER (OPTION, FOOT SWITCH)**



AW-215-1-00201 3 BOOM,WHEEL TYPE
PI1120013-00 VALVE,SOLENOID



AW-215-1-00201 3 BOOM,WHEEL TYPE

Pos No.	Parts No	Parts Name	Qty	Unit	Technical Data	Serial No (Start)	Serial No (End)	Remarks	Pages
1	36620250060	PLUG	1						
3	36620250010	SLEEVE	1						
4	91002801600	O-RING	3		1B P16				
5	91002801400	O-RING	1		1B P14				
8	91002801000	O-RING	2		1B P10				
10	91002800700	O-RING	1		1B P7				
12	12515186000	SPRING	2						
13	36620250040	PLUG	1						
20	36621410001	VALVE,CHECK	1						

AW-215-1-00201 3 BOOM,WHEEL TYPE

Pos No.	Parts No	Parts Name	Qty	Unit	Technical Data	Serial No (Start)	Serial No (End)	R
1	19116004000	COVER	1					
3	16265153000	CARTRIDGE, COUNTERBALANCE	1					
4	91002801000	O-RING	2		1B P10			
5	91410001000	RING,BACKUP	1		P10			
6	90131510025	BOLT,HEXAGON SOCKET	4		M10X25			
7	90302041001	WASHER,SPRING	4		10			
8	91002802400	O-RING	1		1B P24			
11	36601240020	BOLT	1					
12	36601240030	PLATE	1					
13	90203201200	NUT	1		M12			
14	90131506035	BOLT,HEXAGON SOCKET	4		M6X35			
15	90302040601	WASHER,SPRING	8		6			
16	36601240040	COVER	1					
17	90131506012	BOLT,HEXAGON SOCKET	4		M6X12			
18	36601240080	PACKING	2					
30	36601240000	VALVE,COUNTERBALANCE	1					

AW-215-1-00201 3 BOOM,WHEEL TYPE

Pos No.	Parts No	Parts Name	Qty	Unit	Technical Data	Serial No (Start)	Serial No (End)	Rema
1	90131712035	BOLT,HEXAGON SOCKET	4		M12X35			
4	44260170100	GEAR	1					
5	44260100200	COVER	1					
6	44260021000	BASKET	1					
7	44260172000	FRAME	1					
8	37001502320	U-BOLT	2		M10			
9	90201201000	NUT	4		M10			
10	90302040601	WASHER,SPRING	21		6			
12	44260020030	GROMMET	2					
13	90101510020	BOLT	6		M10X20			
14	44260020040	PLATE	1					
15	44260100050	PLATE	1					
16	80801011050	BEARING,PLAIN	2					
17	44260173000	POST	1					
18	44260020060	BEARING,PLAIN	1					
19	90171112045	BOLT	2		M12X45			
20	42260010200	WASHER	6					
21	90101512035	BOLT	4		M12X35			
22	90201401200	NUT	4		M12			
23	90303071201	WASHER,PLAIN	8		12			
24	90302041201	WASHER,SPRING	8		12			
26	36660640000	MOTOR,HYDRAULIC BUSKET	1					
28	44260100070	GEAR	1					
29	90307190042	WASHER	1		3/8			
30	99105738020	BOLT	1					
31	44260020300	PIN	1					
32	80602110280	RING,RITAINING	1		R28			
33	11622018030	SPRING	1					
34	80601110190	RING,RITAINING	1		R19			
35	80801003530	BEARING,PLAIN	2					
36	42200013700	SUPPORT ASSY	2					
37	90101212030	BOLT	1		M12X30			
38	90302041001	WASHER,SPRING	10		10			
39	37000148510	PIN	1					
40	90171112030	BOLT	3		M12X30			
41	37001102780	ROLLER	1					
42	90101206018	BOLT	4		M6X18			
43	90101206014	BOLT	17		M6X14			
44	44260020080	PLATE	2					
45	42330010160	PLATE	1					
46	44260021500	COVER	1					
47	90101208030	BOLT	3		M8X30			
48	90302040801	WASHER,SPRING	3		8			
49	90303070601	WASHER,PLAIN	9		6			
51	80601110300	RING,RITAINING	1		S30			
61	44260021100	BASKET	1					
62	82400000367	HINGE	2					
63	80601110160	RING,RITAINING	1		16			
64	44260021400	DOOR (BASKET)	1					
65	44260021010	PIN	1					
66	44260021030	SUPPORT	1					
67	44260021020	PLATE	2					
68	18616040000	SPRING	1					
69	80172305010	SCREW,MACHINE	4		M5X10			
70	90302040501	WASHER,SPRING	4		5			
71	44260021060	PLATE	1					
82	80516006001	BEARING,BALL	2					

CLICK HERE TO **DOWNLOAD** THE COMPLETE MANUAL

- Thank you very much for reading the preview of the manual.
- You can download the complete manual from: www.heydownloads.com by clicking the link below



- Please note: If there is no response to CLICKING the link, please download this PDF first and then click on it.

CLICK HERE TO **DOWNLOAD** THE COMPLETE MANUAL

AW-215-1-00201 3 BOOM,WHEEL TYPE

Pos No.	Parts No	Parts Name	Qty	Unit	Technical Data	Serial No (Start)	Serial No (End)	Remarks	Pa
1	80430450450	JOINT	1		YL502				
2	44340150200	SUPPORT	1						
3	90101208045	BOLT	4		M8X45				
4	82100002125	PLUG	2		22.5				
8	80303030140	FITTING,ELBOW	2		KLN12-020N				
9	44340160100	JOINT	1						
10	80316030040	PLUG	1		PT1/4				
11	80302010140	FITTING	5		C717KCT12-020N				
12	81408000160	PIPE,STEEL	1	M	12X1.4T				
13	81408000160	PIPE,STEEL	1	M	12X1.4T				
14	81408000160	PIPE,STEEL	1	M	12X1.4T				
15	36640780000	VALVE,SOLENOID	1						000
16	90101208060	BOLT	2		M8X60				
17	90302040801	WASHER,SPRING	6		8				000
19	36621920000	VALVE,RELIEF	1						
20	37000706610	CLAMP ASSY	1						
21	91800000004	FASTENER	3						
22	37002413770	HOSE	1		L=2000				
23	37002413780	HOSE	1		L=2000				
24	37002411520	HOSE	1		L=450				
25	37002413800	HOSE	1		L=300				
26	80430410450	JOINT	1						
27	44340030280	JOINT	2						
28	81408000160	PIPE,STEEL	1	M	12X1.4T				
30	44340030210	SUPPORT	1						
32	80305050090	FITTING,TEE	1		KTK12-020N				
33	81408000160	PIPE,STEEL	1	M	12X1.4T				
34	80302090141	FITTING	1		KCO12-020N				
35	91001101100	O-RING	1		1A P11				

AW-215-1-00201 3 BOOM,WHEEL TYPE

Pos No.	Parts No	Parts Name	Qty	Unit	Technical Data	Serial No (Start)	Serial No (End)	Remarks	Pages
1	44270010101	COVER	1						
2	44270010201	COVER	1						
3	44270012001	COVER ASSY	1						
4	37000520160	SUPPORT	6						
5	37000513630	PLATE	4						
6	14312503000	CATCH (BONNET)	8						
7	90101210020	BOLT	5		M10X20				
8	90303071001	WASHER,PLAIN	6		10				
9	90302041001	WASHER,SPRING	6		10				
10	90101210035	BOLT	1		M10X35				
11	90201201000	NUT	1		M10				
12	90301011001	WASHER	1		10				
17	44270012070	SUPPORT	2						
18	90101208020	BOLT	6		M8X20				
19	90302040801	WASHER,SPRING	6		8				
20	90303070801	WASHER,PLAIN	6		8				
21	37000553000	PLATE	14			285106			
34	44270017560	HINGE	2						
35	82400000346	CATCH	1						

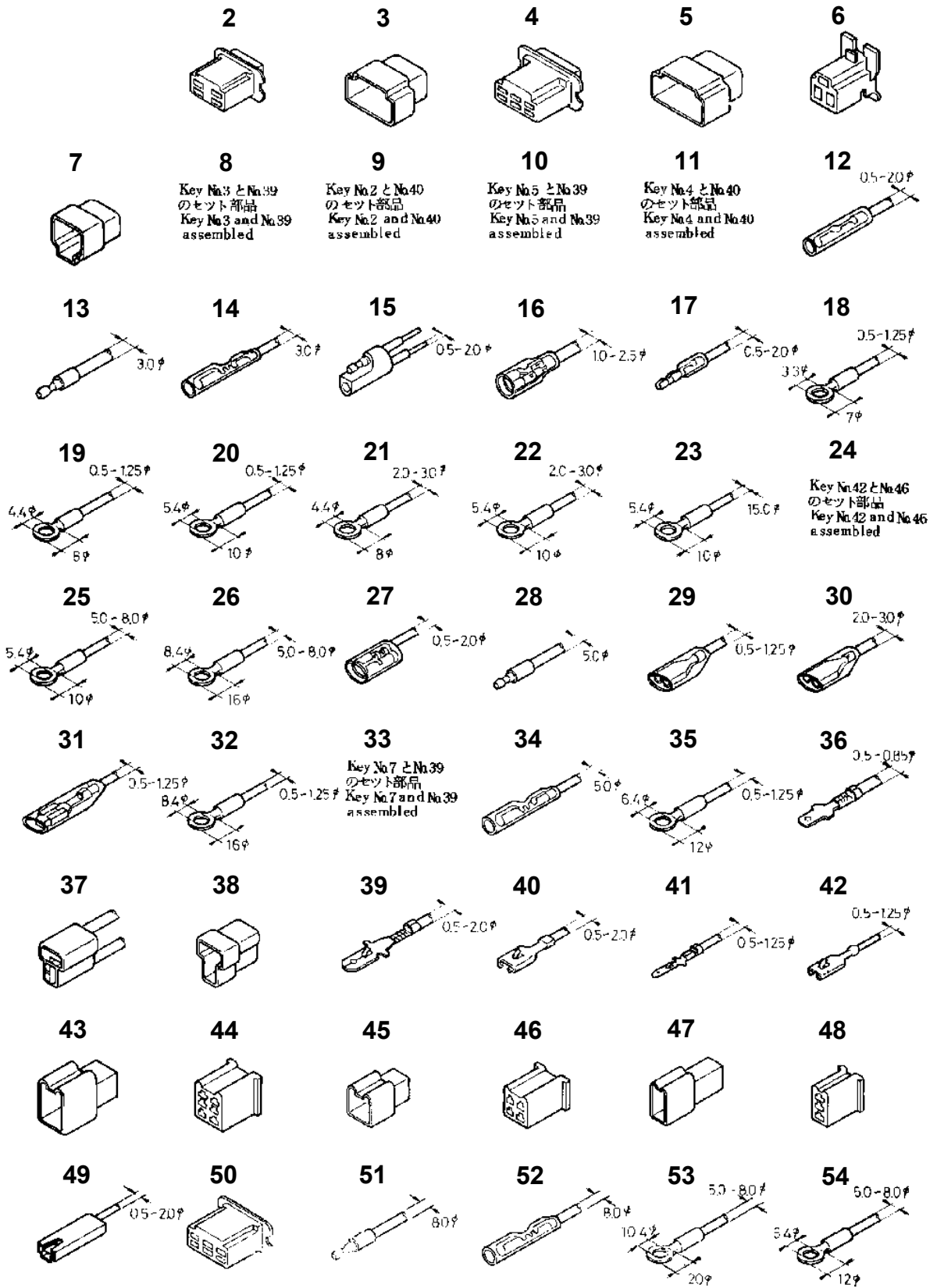
AW-215-1-00201 3 BOOM,WHEEL TYPE

Pos No.	Parts No	Parts Name	Qty	Unit	Technical Data	Serial No (Start)	Serial No (End)
2	44430027540	COVER	1				
3	44430027550	CUSHION (RUBBER)	2				
4	90131504012	BOLT,HEXAGON SOCKET	16		M4X12		
7	44430027580	CONNECTOR	1				
8	44430027590	CONNECTOR	1				
9	44430027600	SWITCH,STARTER	1				
10	80152103010	SCREW,MACHINE	5		M3X10		
11	90303070301	WASHER,PLAIN	19		3		
12	90302040301	WASHER,SPRING	19		3		
13	90201200300	NUT	19		M3		
14	44430027610	CONNECTOR	1				
15	44430027620	CONNECTOR	1				
16	44430027630	CONNECTOR	1				
17	44430027640	RING	12				
18	90240200800	NUT,CAP	8		M8		
19	44430027650	SPACER	4				
20	90303070801	WASHER,PLAIN	4		8		
21	44430027660	STOPPER	2				
22	80152105025	SCREW,MACHINE	4		M5X25		
23	44430027670	STAY (S)	2				
24	44430027680	STAY (L)	2				
25	44430027690	HANDLE	1				
26	90302070601	WASHER,SPRING (6)	2				
27	44430027700	BOLT	2		M6X8		
28	44430027710	JOY STICK,CONTROLLER	2				
29	44430027720	JOY STICK,CONTROLLER	1				
30	80152104012	SCREW,MACHINE	28		M4X12		
31	44430027730	RING (4)	28				
32	42330037520	GUARD (FINGER CONTROL)	3				
34	44430027780	PANEL (L)	1				
35	44430027740	GAUGE,TEMPERATURE (WATER)	1				
36	36680180000	GAUGE,FUEL	1				
37	42460457540	LAMP,INDICATOR	5				
38	42460457550	LAMP,INDICATOR	2				
39	82100002485	SWITCH,PUSH	1				
40	42330027760	SWITCH,TOGGLE	1				
41	82100000665	CAP (BLACK)	9				
42	42330027770	SWITCH,TOGGLE	5				
43	82100002483	SWITCH,TOGGLE	1				
44	82100002474	SWITCH,TOGGLE	2				
45	80152104016	SCREW,MACHINE	2		M4X16		
46	42330027800	NUT	2		M4		
47	80156103014	SCREW,MACHINE	15		M3X14		
48	42330027900	PACKING (S)	1				
49	42330027810	PACKING (L)	1				
50	42330027820	CAP	1				
51	42330027830	423-300-37690	1				
52	42330027840	LOCK	2				
53	90303070501	WASHER,PLAIN	4		5		
54	90302040501	WASHER,SPRING	4		5		
55	90201200500	NUT	4		M5		
56	42330027910	PLATE,NAME (DRIVE,SWING)	1				
57	42330027850	PLATE,NAME (ELEVATING,SWING)	1				
58	42330027860	PLATE,NAME (TELESCOPING,L-R)	1				
59	42330027870	PLATE,NAME (STARTER)	1				
60	42330027880	WASHER	2				
62	44430021200	BOARD,CIRCUIT	4				
63	44430027750	PLATE	1				
64	44430027760	PACKING	1				
71	44430027510	DIODE	11				
72	44430027520	RELAY	1				
73	44430027530	FLASHER UNIT	1				
81	42330037620	BULB,LAMP	7		30V 5W		

AW-215-1-00201 3 BOOM,WHEEL TYPE

Pos No.	Parts No	Parts Name	Qty	Unit	Technical Data	Serial No (Start)	Serial No (End)	Re
2	82100002037	CLAMP	2		WE10			
3	90190000008	BOLT,STUD	2		M6X20			
4	90302040601	WASHER,SPRING	5		6			
5	90201200600	NUT	2		M6			
6	90101208014	BOLT	4		M8X14			
7	90302040801	WASHER,SPRING	4		8			
8	82100001173	CLAMP ASSY	1		L=65			
9	44430020100	HARNESS	1					
10	37000519330	PLATE	1					
11	44430020200	SWITCH ASSY	1					
12	37000535170	PLATE	1					
13	90101206025	BOLT	3		M6X25			
14	91800000004	FASTENER	5					
21	44470061000	COVER	1					
22	44470182000	COVER (FOR 3 LEVERS)	1					
	44470231000	COVER (FOR 4 LEVERS)	1					
30	44470722000	BOX,OPERATION (FOR FRANCE)	1					
41	82100090090	SWITCH,MICRO	2					

AW-215-1-00201 3 BOOM, WHEEL TYPE PN1400011-00 WIRING, MATERIALS



AW-215-1-00201 3 BOOM,WHEEL TYPE

Pos No.	Parts No	Parts Name	Qty	Unit	Technical Data	Serial No (Start)	Serial No (
83	44390141620	PLATE,NAME	1				
84	44390141630	PLATE,NAME	1				
85	44390141640	PLATE,NAME	1				
86	44390141360	PLATE,NAME	1				
87	44390141370	PLATE,NAME	1				
88	44390141650	PLATE,NAME	1				
89	44390141660	PLATE,NAME	1				
90	44390141240	PLATE,NAME (EMERGENCY PUMP)	1				
91	44390141670	PLATE,NAME	1				
92	44390141680	PLATE,NAME	1				
93	44390191250	PLATE,NAME	1				
94	44390191260	PLATE,NAME	1				
95	44390141130	PLATE,NAME	1				

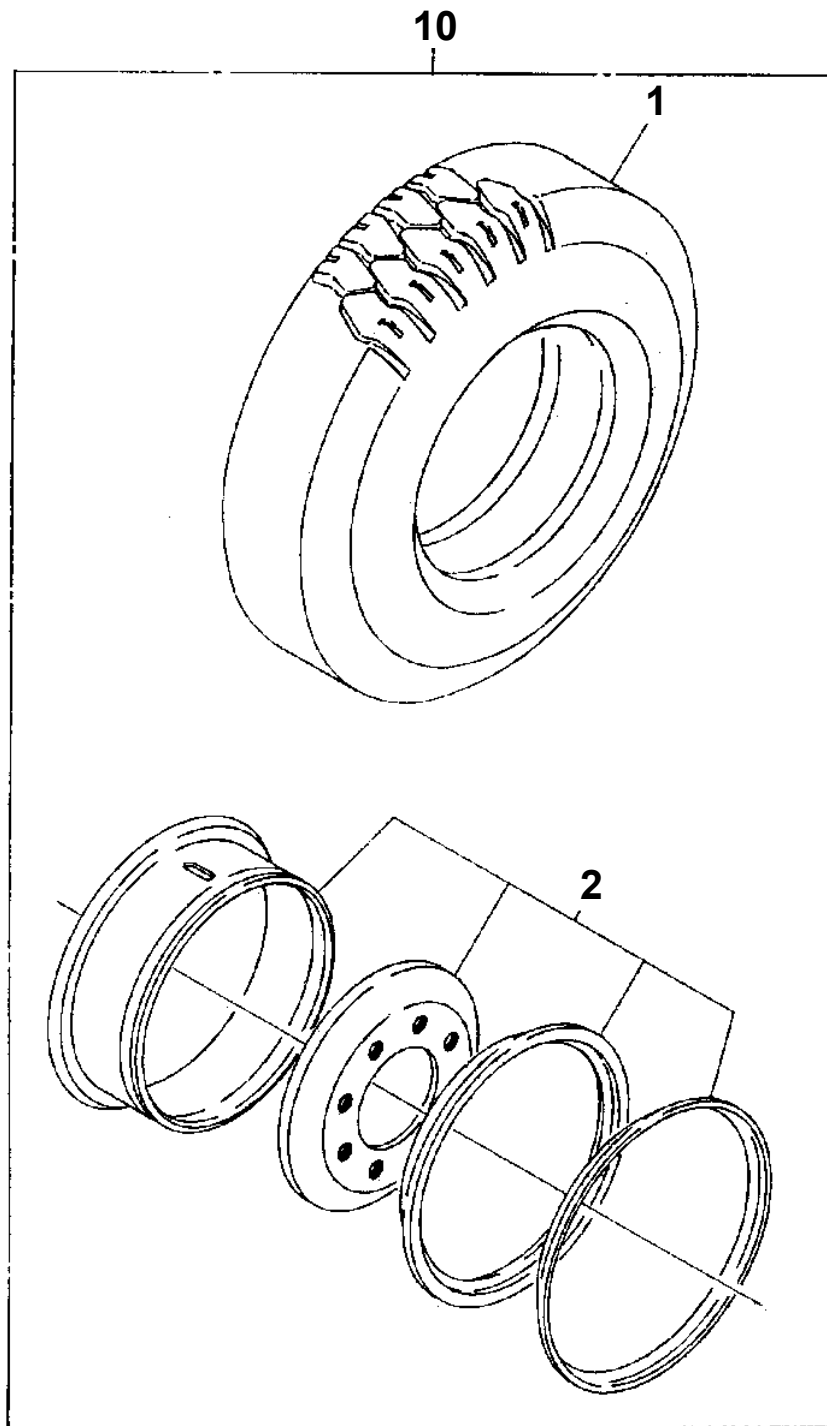
AW-215-1-00201 3 BOOM,WHEEL TYPE

Pos No.	Parts No	Parts Name	Qty	Unit	Technical Data	Serial No (Start)	Serial No (End)	Remarks	Pages
1	37000505950	PLATE	8		T=3.2				
2	90267201000	NUT	4		M10				
3	90302040801	WASHER,SPRING	10		8				
4	44420651000	PIPE	1						
5	90101210020	BOLT	10		M10X20				
6	90303071001	WASHER,PLAIN	4		10				
7	90201201000	NUT	16		M10				
8	59160505000	CUSHION	8						
9	44420060150	SUPPORT	2						
10	44420330010	COVER	1						
11	44420060020	PIPE	1						
12	44420060030	BAND	2						
13	44420060200	SUPPORT	1						
14	90201201200	NUT	2		M12				
15	90302041201	WASHER,SPRING	2		12				
16	90101512035	BOLT	2		M12X35				
17	90302041001	WASHER,SPRING	4		10				
30	44420061000	MUFFLER	1						

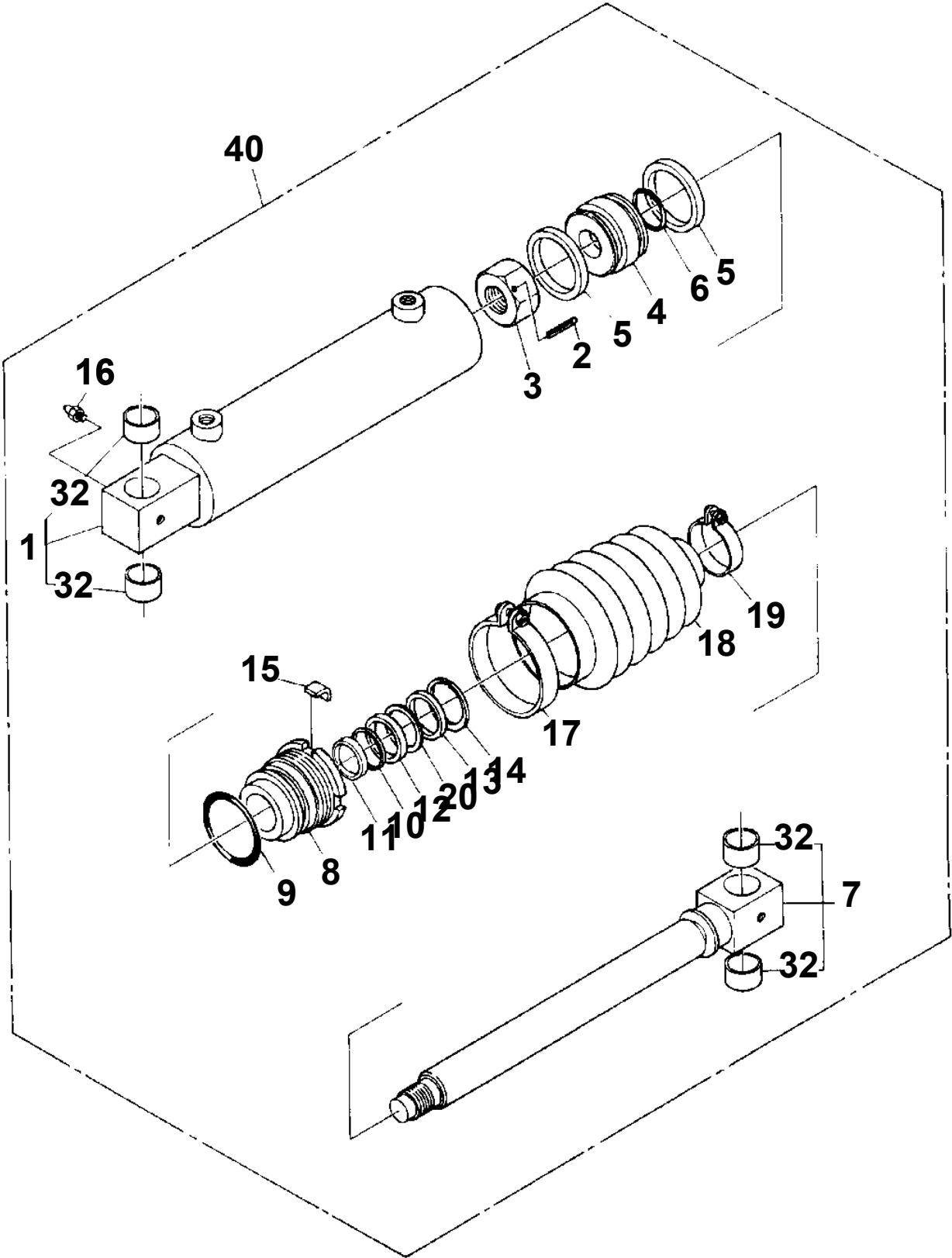
AW-215-1-00201 3 BOOM,WHEEL TYPE

Pos No.	Parts No	Parts Name	Qty	Unit	Technical Data	Serial No (Start)	Serial No (End)	Remarks	Pa
1	90101212025	BOLT	32		M12X25				
2	90302041201	WASHER,SPRING	66		12				
3	37000524000	PLATE,SLIDE	16						
4	44610521100	AXLE	1						
5	37000114790	PIN	2						
6	80136332036	PIN,SPLIT	4		3.2X36				
7	36040590000	CYLINDER,AXLE	1						00
8	90101212020	BOLT	32		M12X20				
9	90101206012	BOLT	24		M6X12				
10	90302040601	WASHER,SPRING	24		6				
11	82459203000	NIPPLE,GREASE	4		C-PT1/8				
12	44610020010	PLATE	4						
13	44610522000	DRIVING UNIT,WHEEL	1						
14	44610020060	PIN	2						
15	80573005030	BEARING,NEEDLE	8						
16	80574005082	BEARING,BALL	2						
17	37000401600	PLATE	2						
18	44610020020	SHIM	4		T=0.1				
19	44610020070	PIN	2						
20	90209201200	NUT	2		M12				
21	90303071201	WASHER,PLAIN	2		12				
22	37000532140	PLATE,SLIDE	16						
23	44610020030	PACKING	4						
24	37000519240	PLATE	32		T=1.0				
25	37000519250	PLATE	32		T=0.5				
26	44610020040	SHIM	4		T=0.2				
27	44610523000	DRIVING UNIT,WHEEL	1						
28	44610521200	AXLE	1						
29	44610020050	PLATE	4						
30	37000534330	PLATE	8						
41	44610022101	ARM,KNUCKLE	1						
42	44610022010	SPACER	2						
43	37005500010	SEAL,OIL	2						
44	80533032217	BEARING,ROLLER	2						
45	44610522100	HUB,WHEEL	2						
46	37001506780	BOLT	24		M14X40				
47	90302041401	WASHER,SPRING	24		14				
48	80533032214	BEARING,ROLLER	2						
49	37000519200	PLATE	2						
50	44610022030	PACKING	2						
51	90101210025	BOLT	12		M10X25				
52	90302041001	WASHER,SPRING	12		10				
53	37001601050	NUT	2						
54	44610022040	COVER	2						
55	80136363112	PIN,SPLIT	2		6.3X112				
57	82459203000	NIPPLE,GREASE	2		C-PT1/8				
58	37000529310	PLATE	2						
61	37000529260	PLATE	2						
62	90101508014	BOLT	4		M8X14				
71	44610023101	ARM,KNUCKLE	1						
83	44610232110	PIN	2						

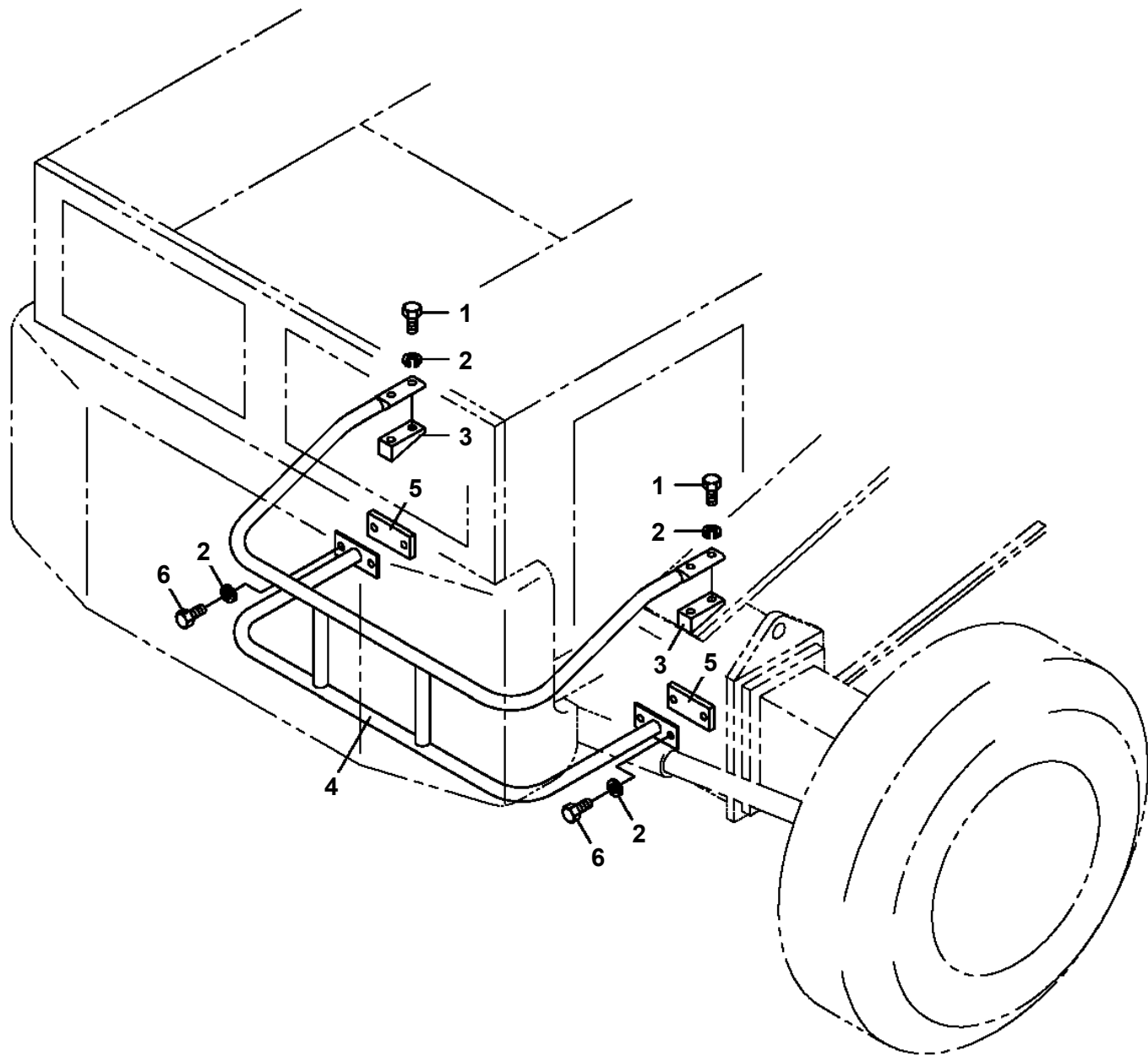
**AW-215-1-00201 3 BOOM,WHEEL TYPE
PR2150001-00 TIRE & WHEEL (SOLID)**



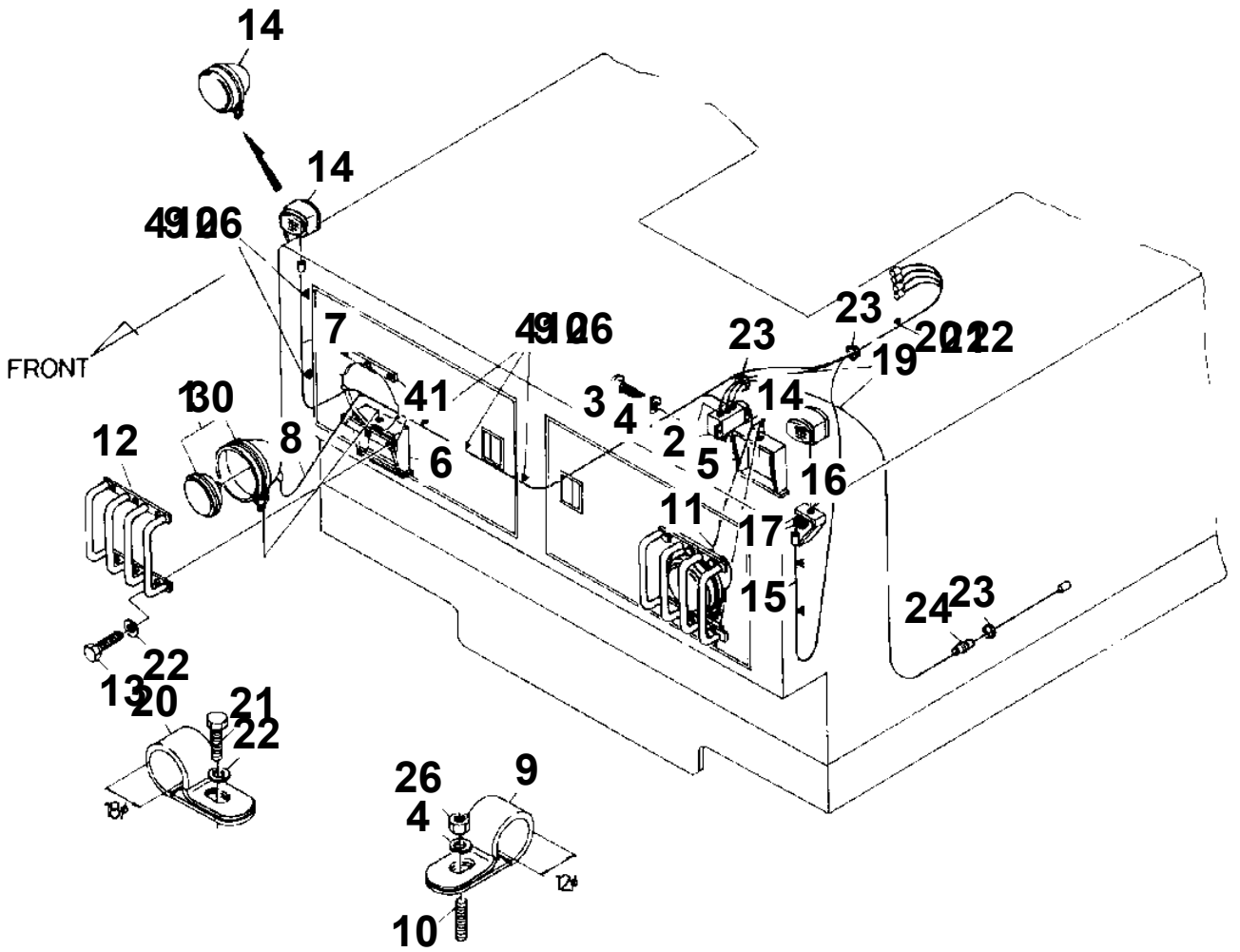
AW-215-1-00201 3 BOOM,WHEEL TYPE
PS1360004-01 CYLINDER,STEERING



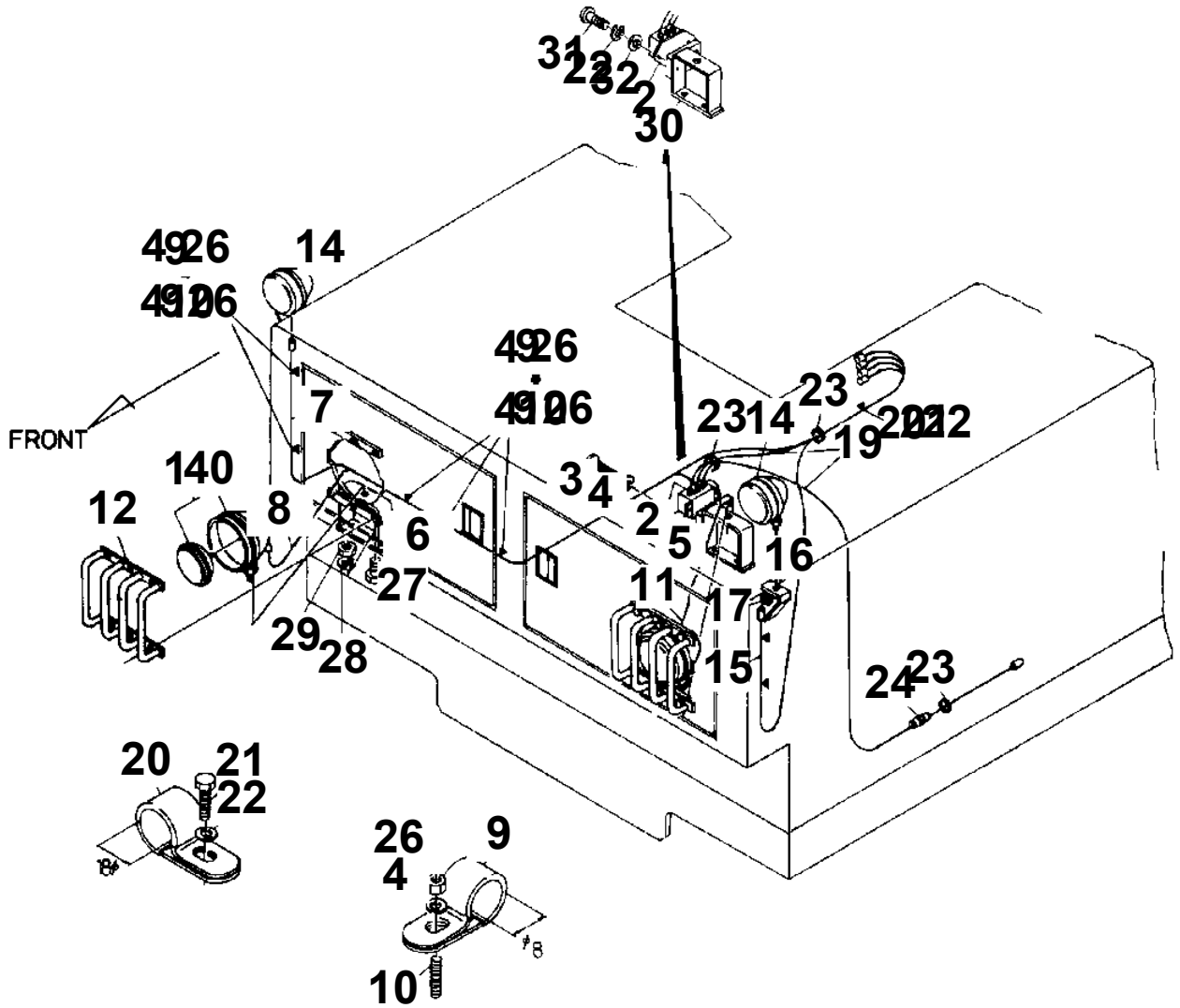
**AW-215-1-00201 3 BOOM,WHEEL TYPE
PX1200059-00 GUARD,SIDE (STEERING.OPTION)**



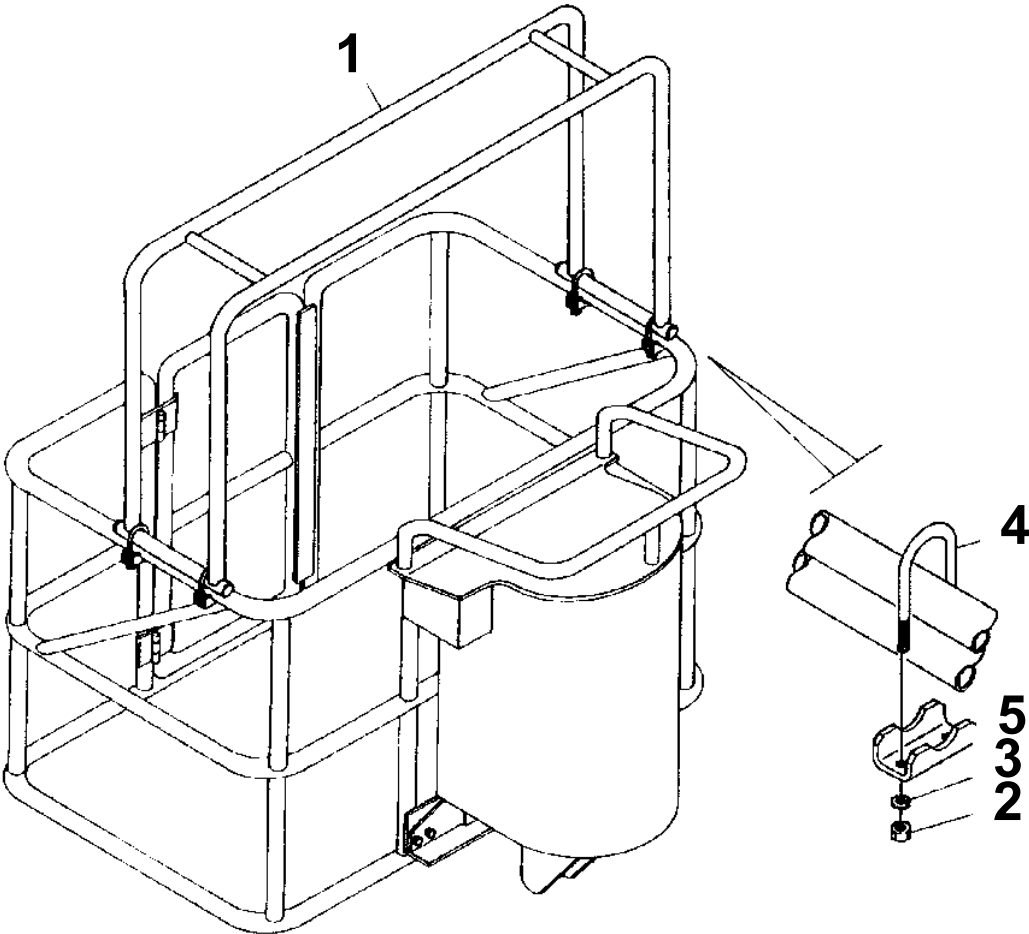
AW-215-1-00201 3 BOOM, WHEEL TYPE
PY1180015-01 LAMP (HEAD)



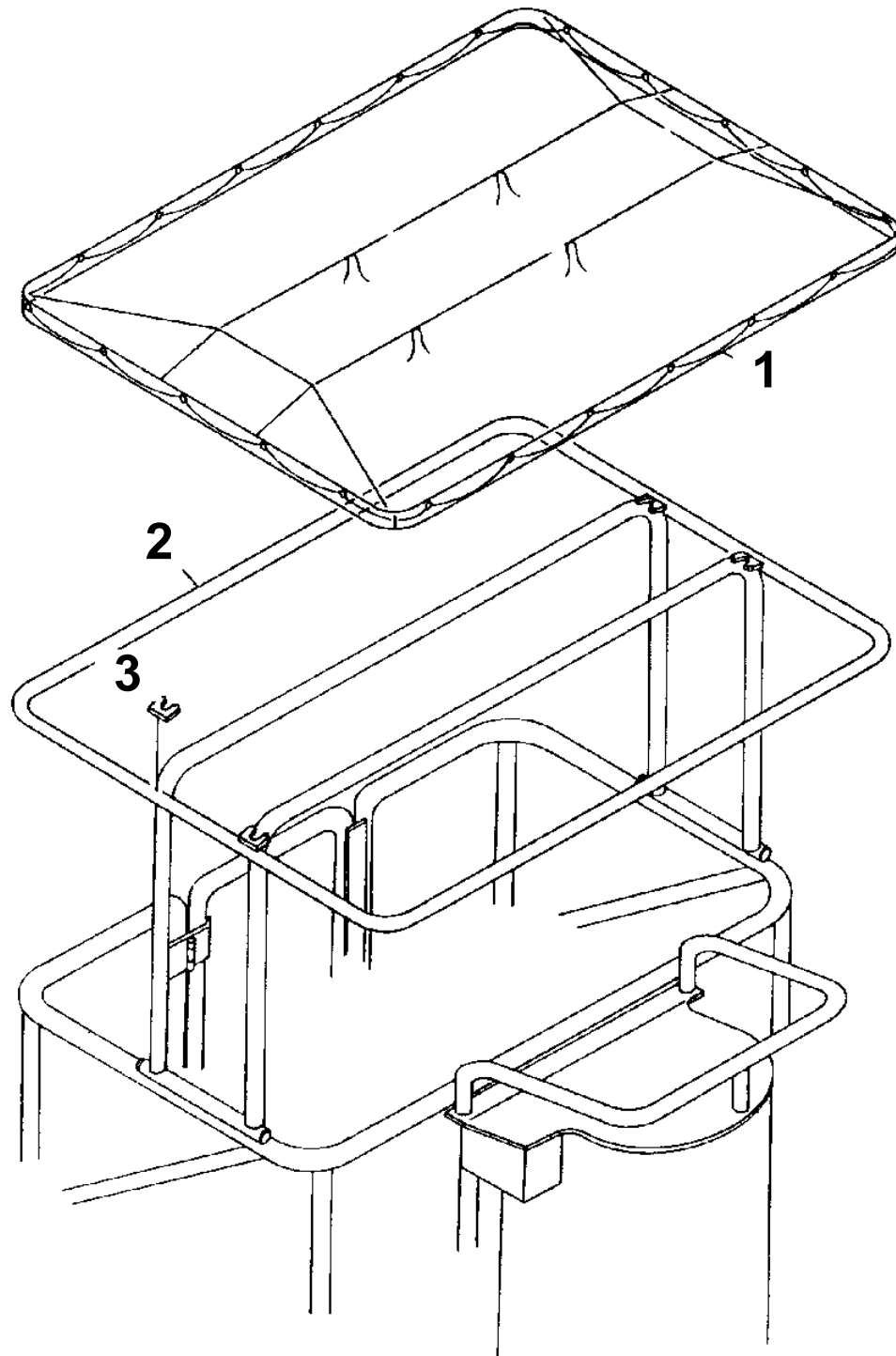
AW-215-1-00201 3 BOOM, WHEEL TYPE
PY1180037-02 LAMP (HEAD)



**AW-215-1-00201 3 BOOM,WHEEL TYPE
PY1700001-00 GUARD,BASKET**



AW-215-1-00201 3 BOOM, WHEEL TYPE
PY1710000-00 COVER, BASKET



CLICK HERE TO **DOWNLOAD** THE COMPLETE MANUAL

- Thank you very much for reading the preview of the manual.
- You can download the complete manual from: www.heydownloads.com by clicking the link below



- Please note: If there is no response to CLICKING the link, please download this PDF first and then click on it.

CLICK HERE TO **DOWNLOAD** THE COMPLETE MANUAL