

AT-80-1 42006100010 UPPER

PD2000027-01 SWING UNIT

PG2000035-01 BOOM UNIT

PJ3000195-01 BUCKET

PK2000111-01 FRAME UNIT

PO1000149-00 INDICATION PLATES

PW1000118-00 ACCESSORIES & TOOLS

PY1000541-03 OPTIONS,1

PY2000111-01 OPTIONS,2

ASSEMBLY

CLICK HERE TO **DOWNLOAD** THE COMPLETE MANUAL

- Thank you very much for reading the preview of the manual.
- You can download the complete manual from: www.heydownloads.com by clicking the link below



- Please note: If there is no response to CLICKING the link, please download this PDF first and then click on it.

CLICK HERE TO **DOWNLOAD** THE COMPLETE MANUAL

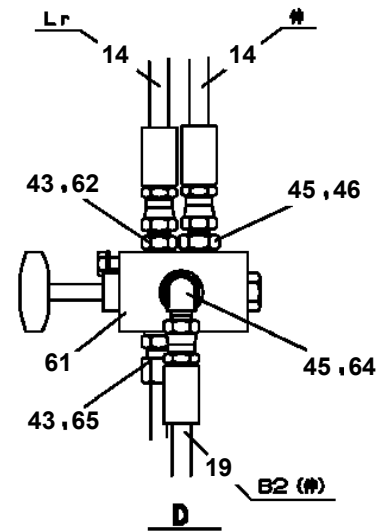
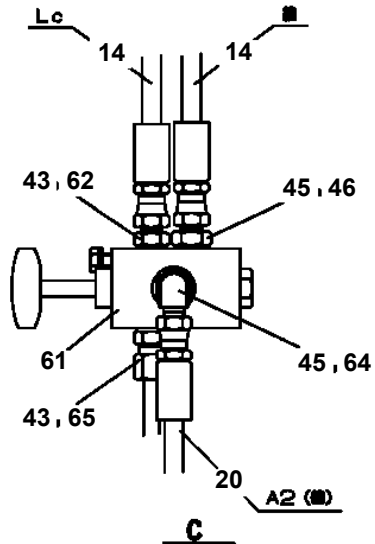
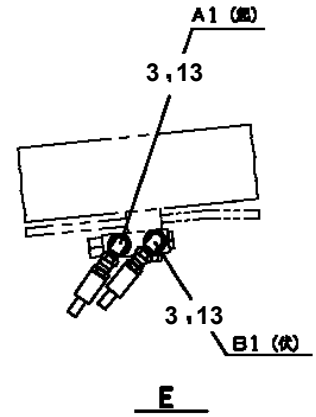
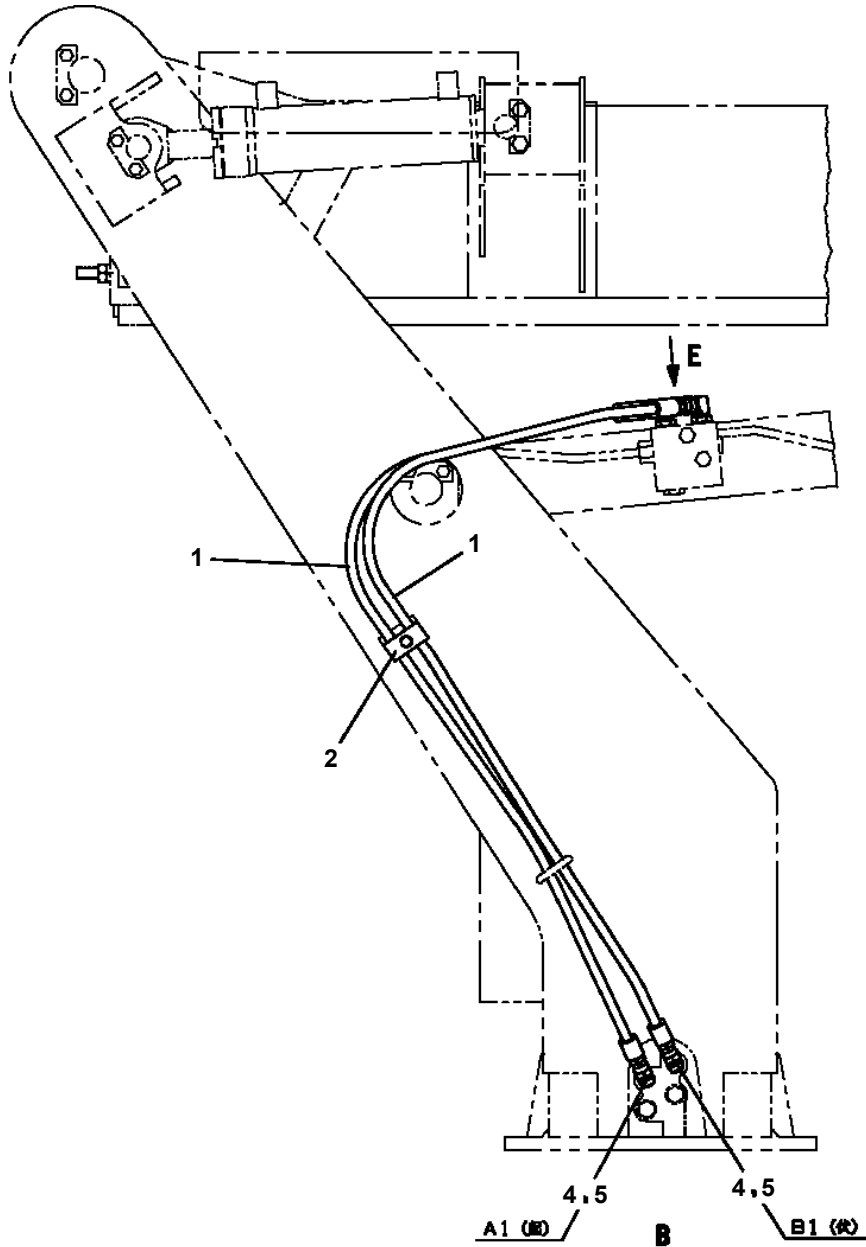
AT-80-1 42006100010 UPPER

Pos No.	Parts No	Parts Name	Qty	Unit	Technical Data	Serial No (Start)	Serial No
1	(*****)	PLATE ASSY,NAME (VEHICLE)	1				
2	(*****)	PLATE ASSY,NAME (LOWER CONTROL)	1				
3	(*****)	PLATE ASSY,NAME (EMERGENCY CONTROL)	1				
4	(*****)	MARKING (SWING)	1				

AT-80-1 42006100010 UPPER

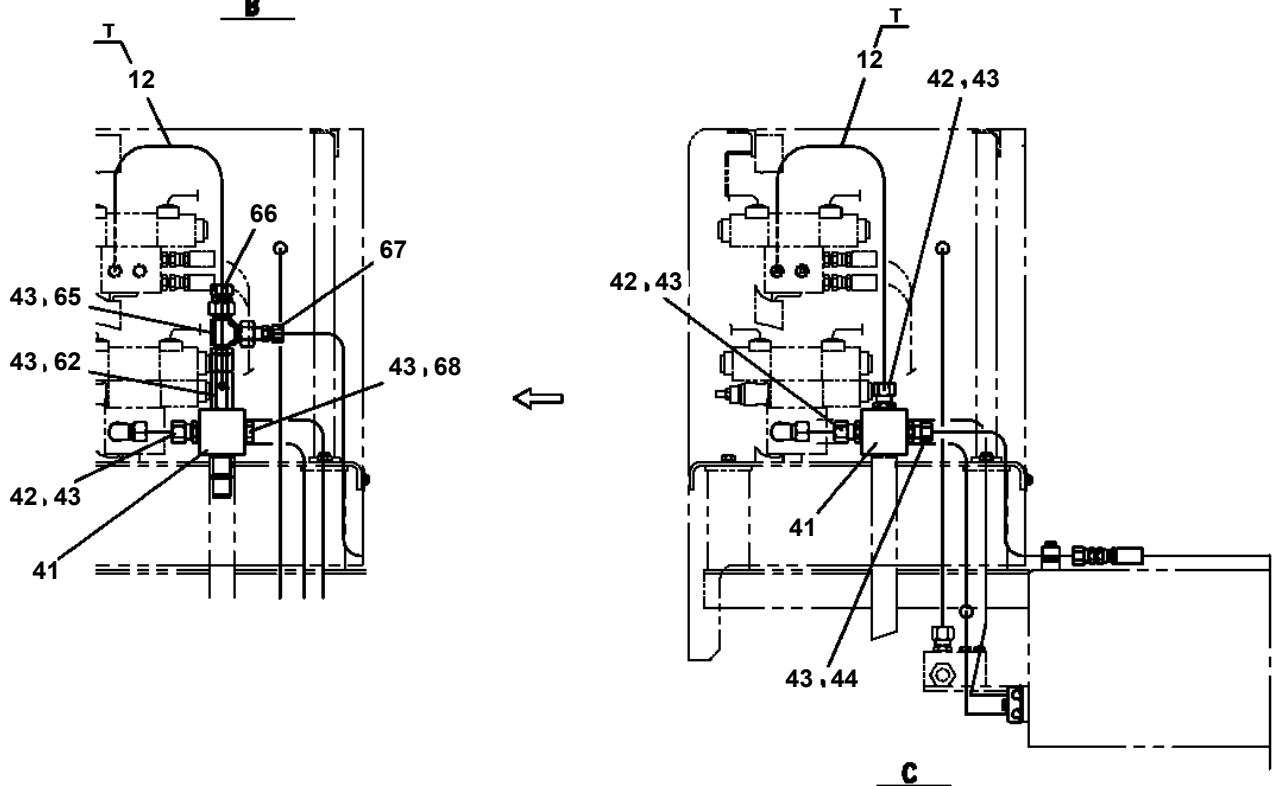
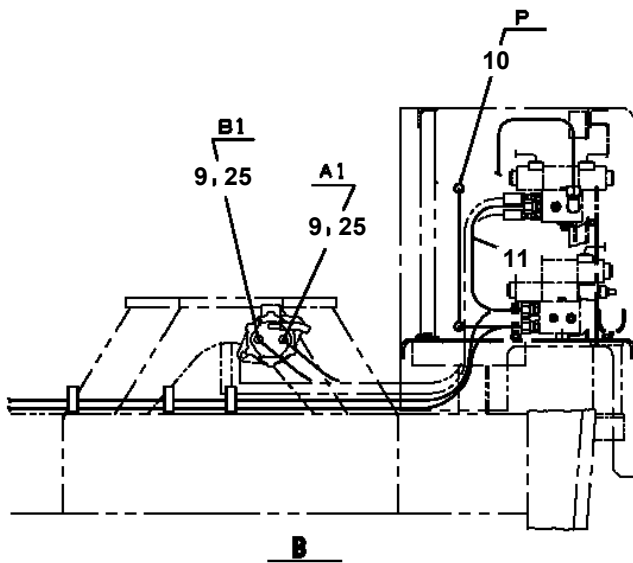
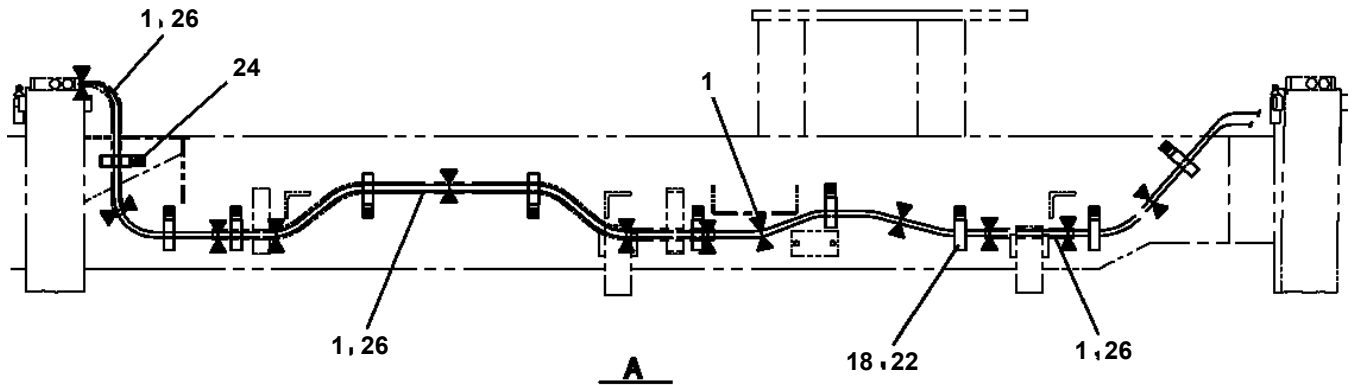
Pos No.	Parts No	Parts Name	Qty	Unit	Technical Data	Serial No (Start)	Serial No (End)	Rema
2	36101895020	BREATHER ASSY (OB-10B)	1					
3	36100035011	GAUGE ASSY	1		L=180			
4	31660005030	PLUG	1					
10	36101985010	GASKET	1					
21	53156005010	ELEMENT (OB-10T & OB-10B)	1					
22	36101895030	RETAINER ASSY	1					
50	36102680001	TANK,OIL	1					

**AT-80-1 42006100010 UPPER
PB1400344-01 PIPING,UPPER**

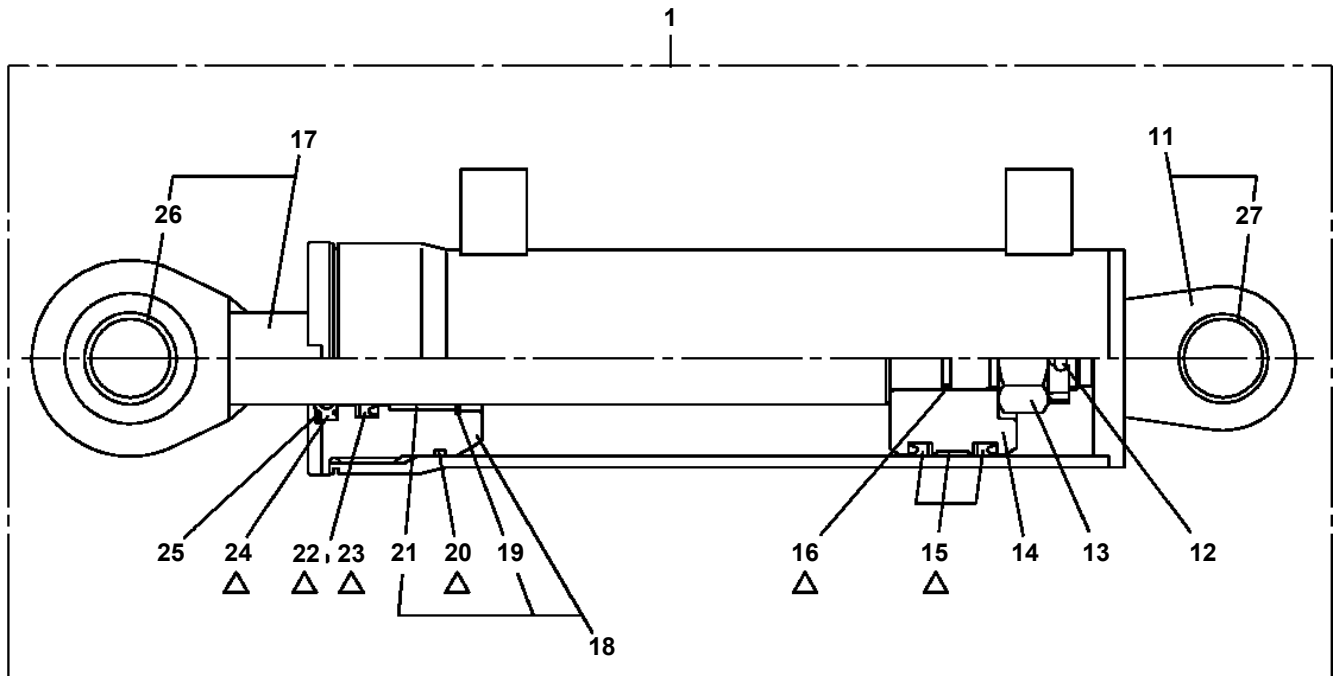
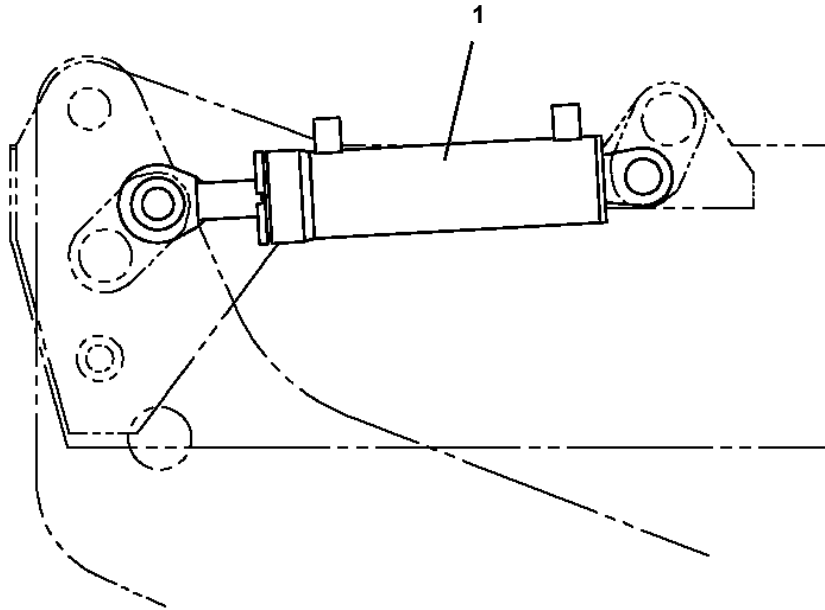


AT-80-1 42006100010 UPPER
PC1200454-03 PIPING,OUTRIGGER

→ FRONT

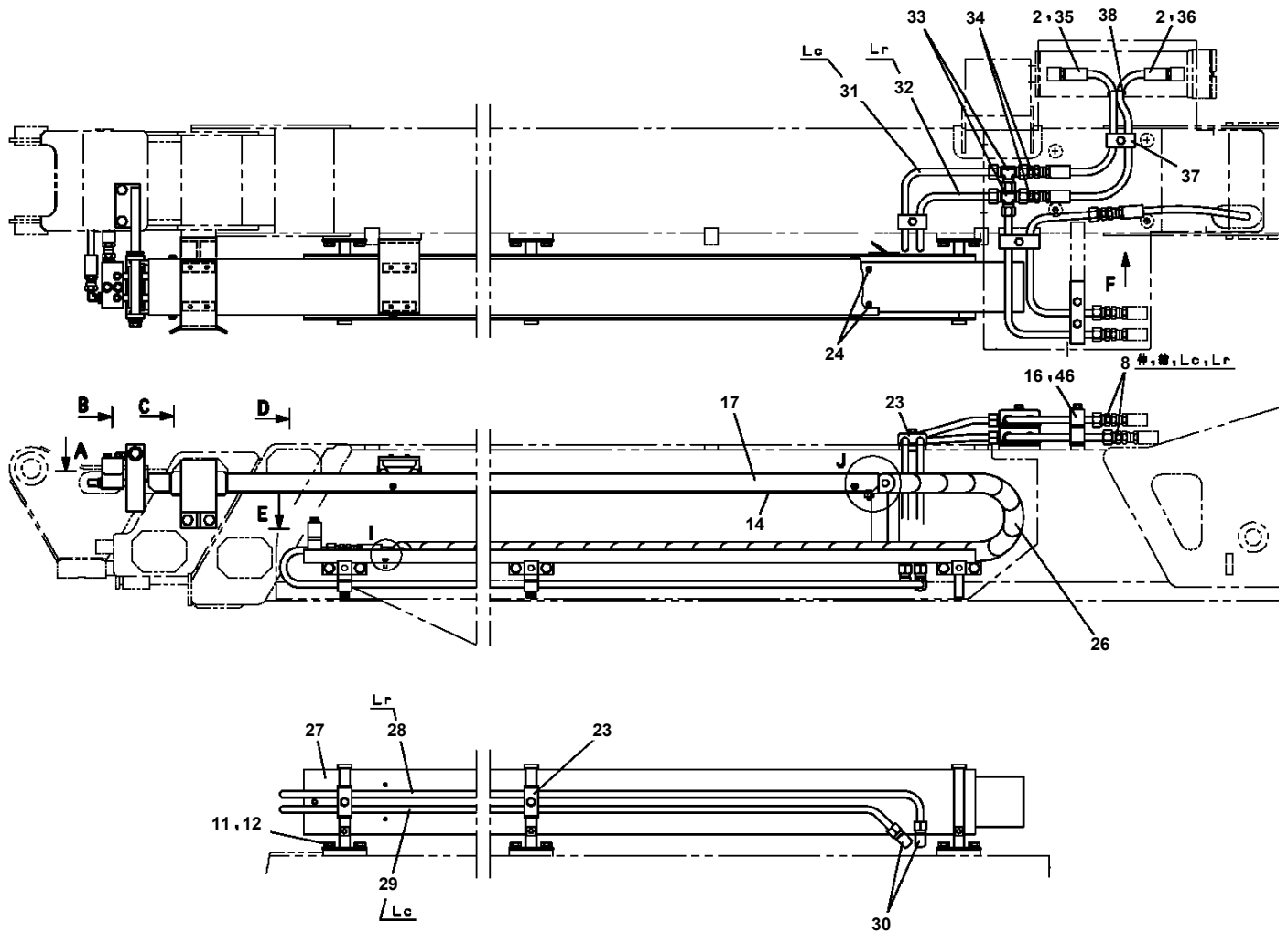


**AT-80-1 42006100010 UPPER
PE1050061-04 CYLINDER,LEVELING (LOWER)**

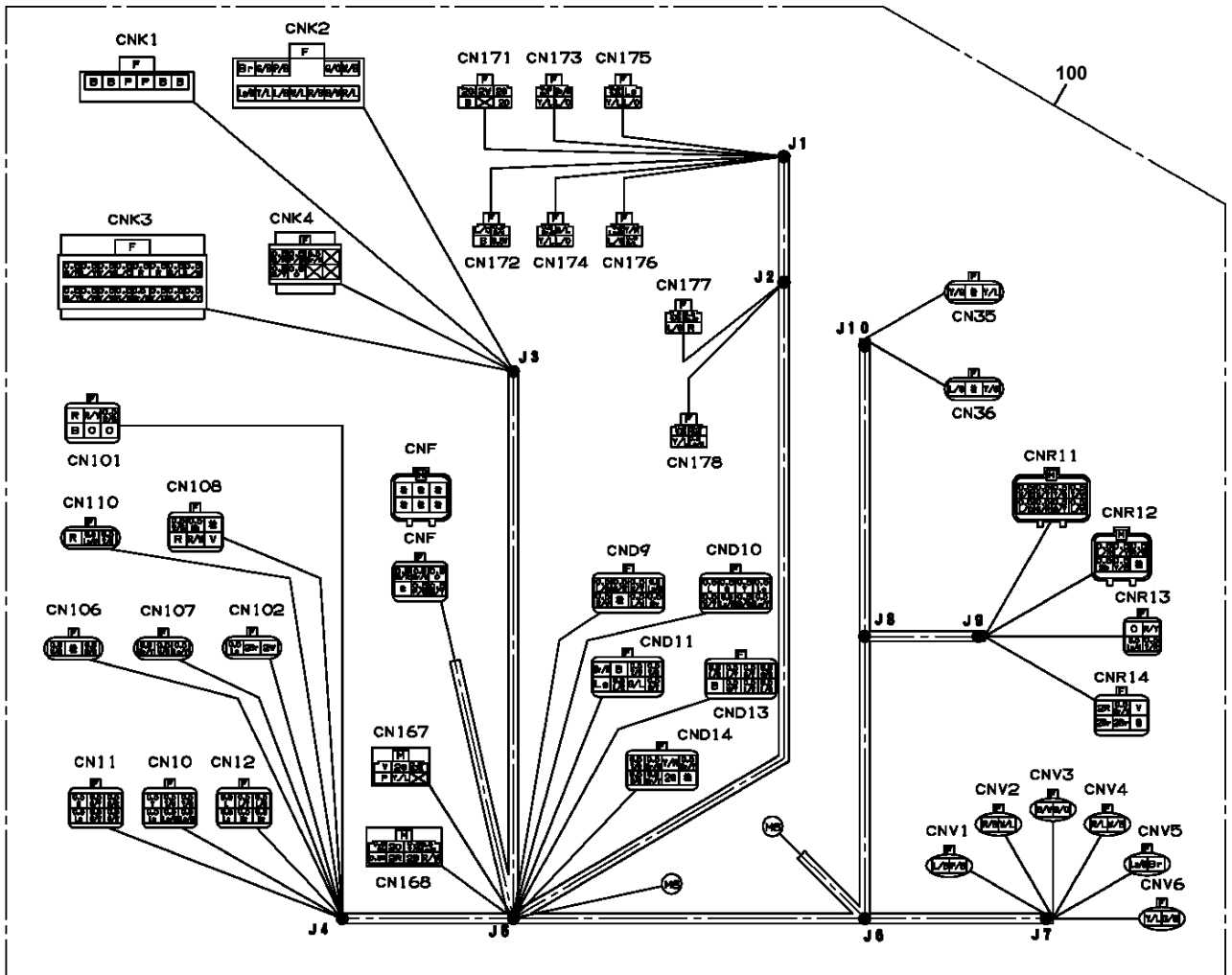


Δ:PACKING SET KEY NO.40 (KEY NO.15,16,20,22,23,24)

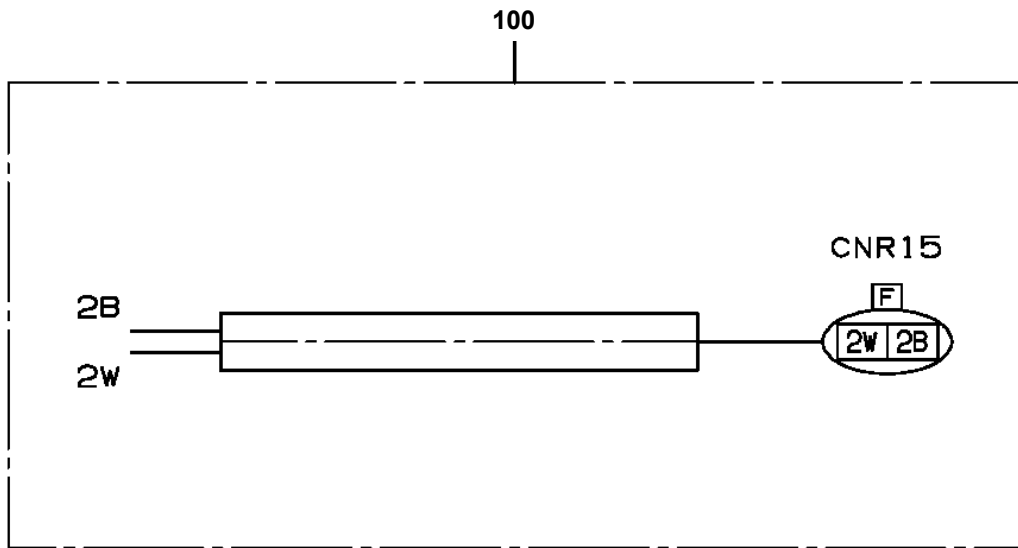
AT-80-1 42006100010 UPPER
PG1220076-01 PIPING,BOOM



AT-80-1 42006100010 UPPER
PH5033087-00 HARNESS

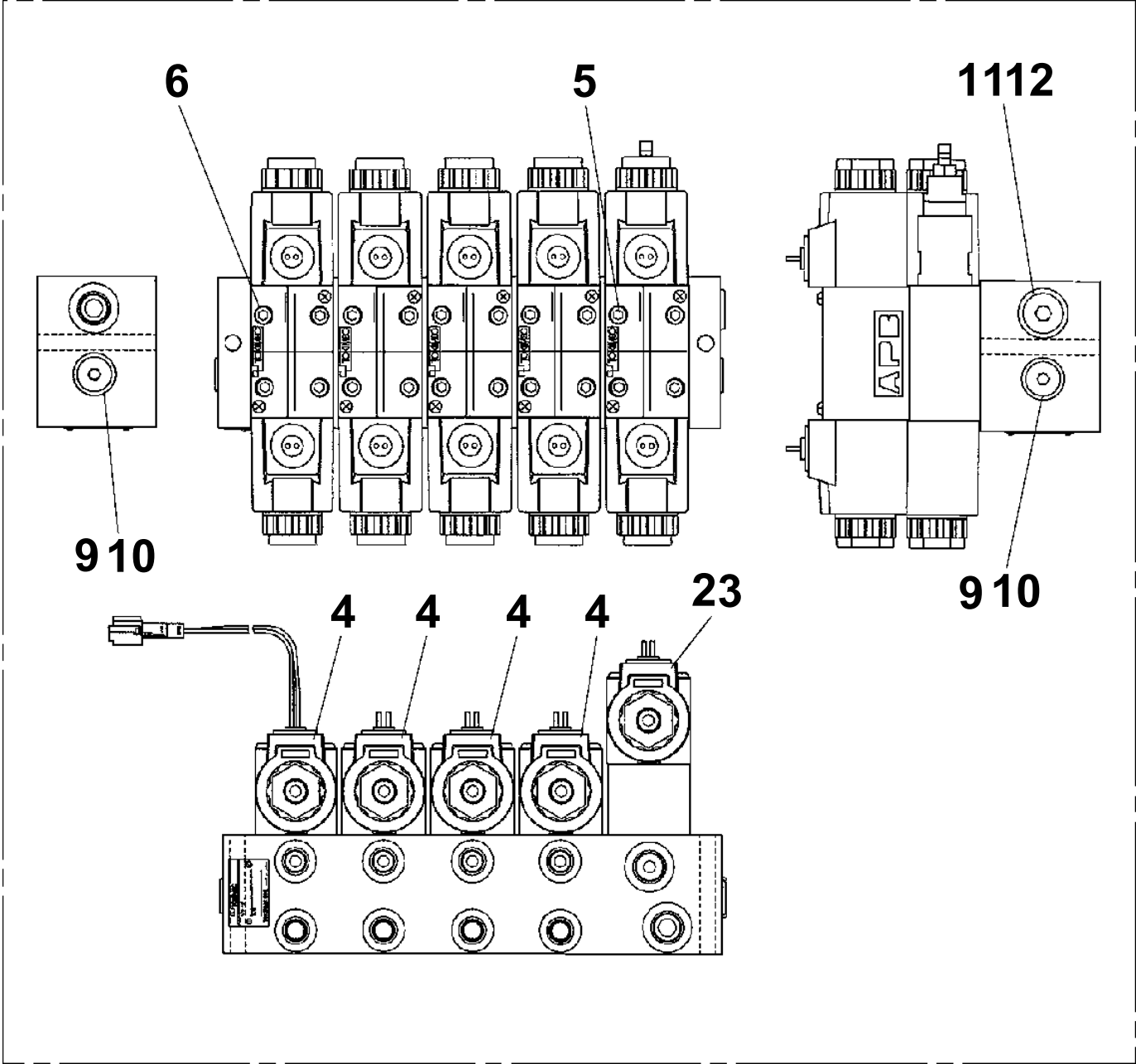


AT-80-1 42006100010 UPPER
PH5033094-00 HARNESS



**AT-80-1 42006100010 UPPER
PI1120275-00 VALVE,SOLENOID**

100



CLICK HERE TO **DOWNLOAD** THE COMPLETE MANUAL

- Thank you very much for reading the preview of the manual.
- You can download the complete manual from: www.heydownloads.com by clicking the link below

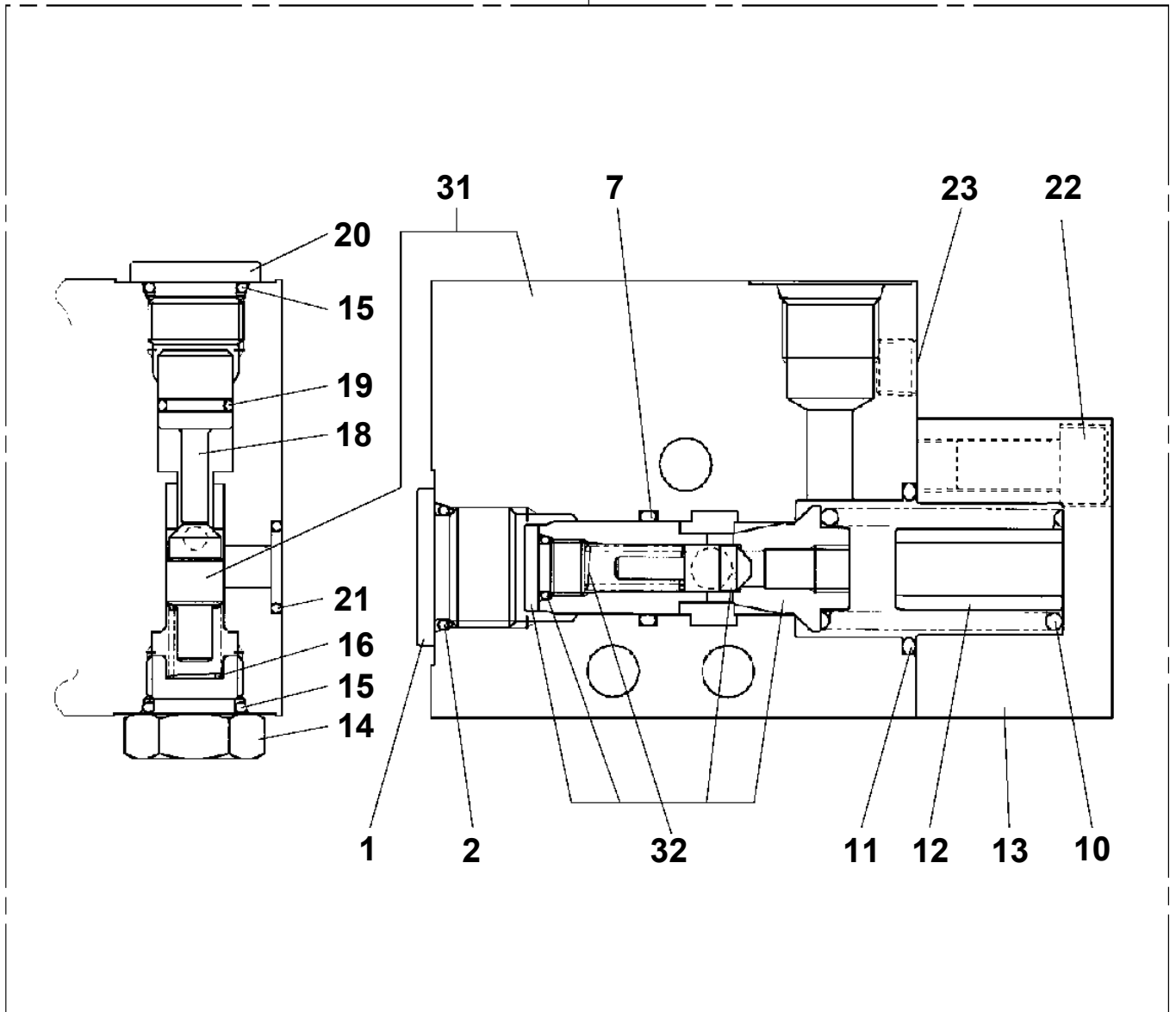


- Please note: If there is no response to CLICKING the link, please download this PDF first and then click on it.

CLICK HERE TO **DOWNLOAD** THE COMPLETE MANUAL

**AT-80-1 42006100010 UPPER
PI1250137-00 VALVE,COUNTERBALANCE**

50



AT-80-1 42006100010 UPPER

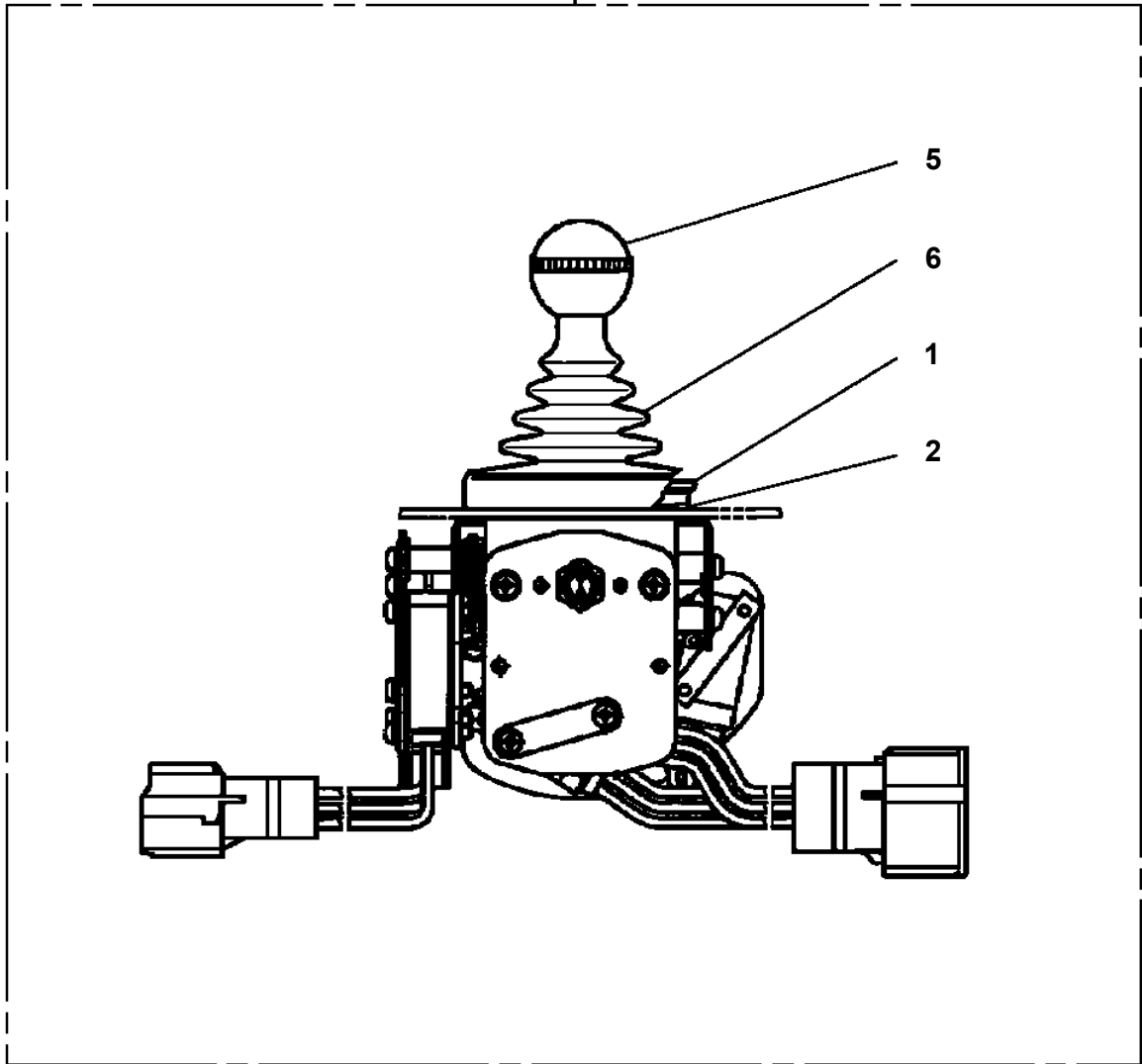
Pos No.	Parts No	Parts Name	Qty	Unit	Technical Data	Serial No (Start)	Serial No (End)	Remarks
1	42265001000	POST ASSY	1					
2	42265002001	FRAME ASSY	1					
5	42265000100	BUCKET	1					
6	42264200200	PLATE	2		T=1.0			
7	37000159360	PIN	1					
8	80136363050	PIN,SPLIT	1		6.3X50			
9	82456101000	NIPPLE,GREASE	1		A-PT1/8			
10	90171110030	BOLT	4		M10X30			
11	90302041001	WASHER,SPRING	8		10			
12	90303071001	WASHER,PLAIN	4		10			
13	42261743550	WHEEL,WORM	1					
14	80601110750	RING,RITAINING	1		S75			
15	90303501201	WASHER,PLAIN	12		12			
16	90171112065	BOLT	8		M12X65			
17	90171112050	BOLT	4		M12X50			
18	90201781200	NUT	4		M12			
19	90102212050	BOLT	2		M12X50			
20	90201201200	NUT	2		M12			
21	82401800060	PLUG (FOR M6)	2					
22	42265000200	SUPPORT	1					
23	90172110018	BOLT,HEXAGON SOCKET	4		M10X18			
42	80801003540	BEARING,PLAIN	2					
53	80513006015	BEARING,BALL	2					
61	42265004100	MOTOR,ELECTRIC	1					
62	90172105014	BOLT,HEXAGON SOCKET	3		M5X14			
63	90302040501	WASHER,SPRING	3		5			
65	80913112140	KEY	2					
66	42265004200	GEAR ASSY	1					
67	44260300130	PLATE	1					
68	42265004300	SUPPORT	1					
69	44260300600	COUPLING	1					
70	80747104018	PIN	1					
71	42264154010	SPACER	1					
72	42264154020	SHIM	6		T=0.5			
81	42265003200	COVER	1					
82	90101208016	BOLT	8		M8X16			
83	90302040801	WASHER,SPRING	12		8			
84	90303070801	WASHER,PLAIN	8		8			
91	42265004110	MOTOR,ELECTRIC	1					
92	44260301150	COVER	1					
93	91810132530	FASTENER	2					
101	42265004210	SUPPORT	1					
102	42264154300	WORM	1					
103	42264154120	COVER	1					
104	90171108016	BOLT	4		M8X16			
106	42264154500	SHIM	N		T=0.5			
107	42264154600	SHIM	N		T=0.2			
108	80513006304	BEARING,BALL	2					
109	42264154130	SPACER	1					

AT-80-1 42006100010 UPPER

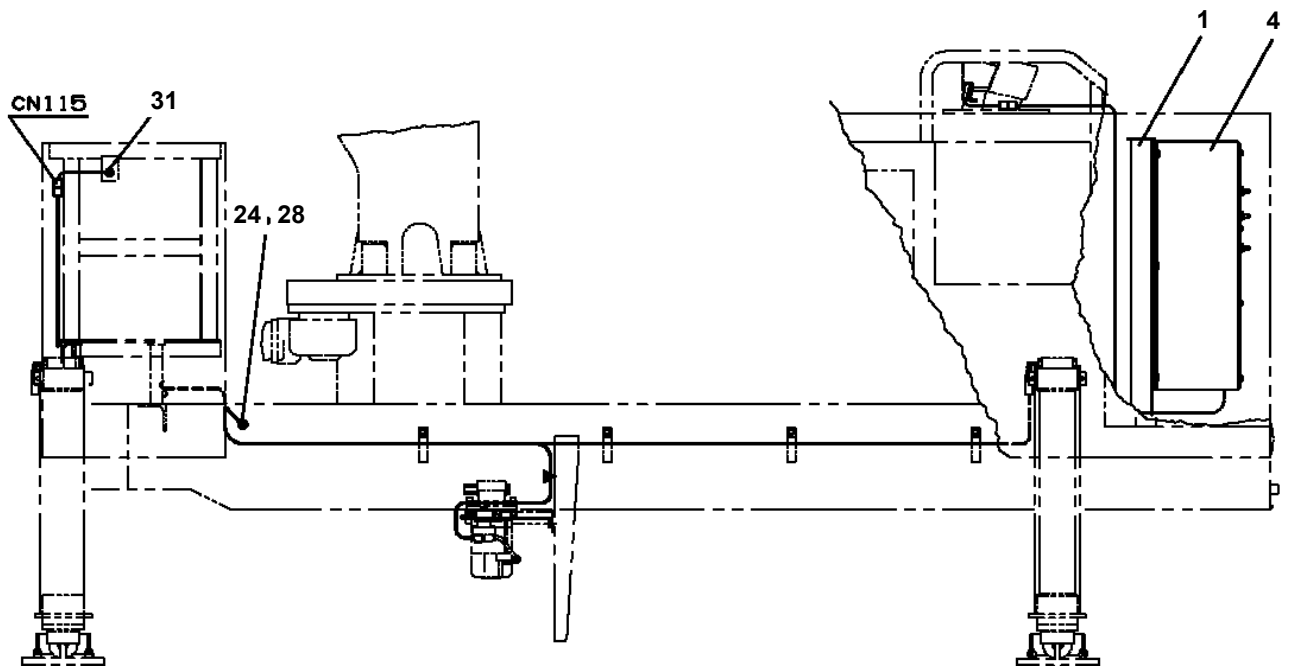
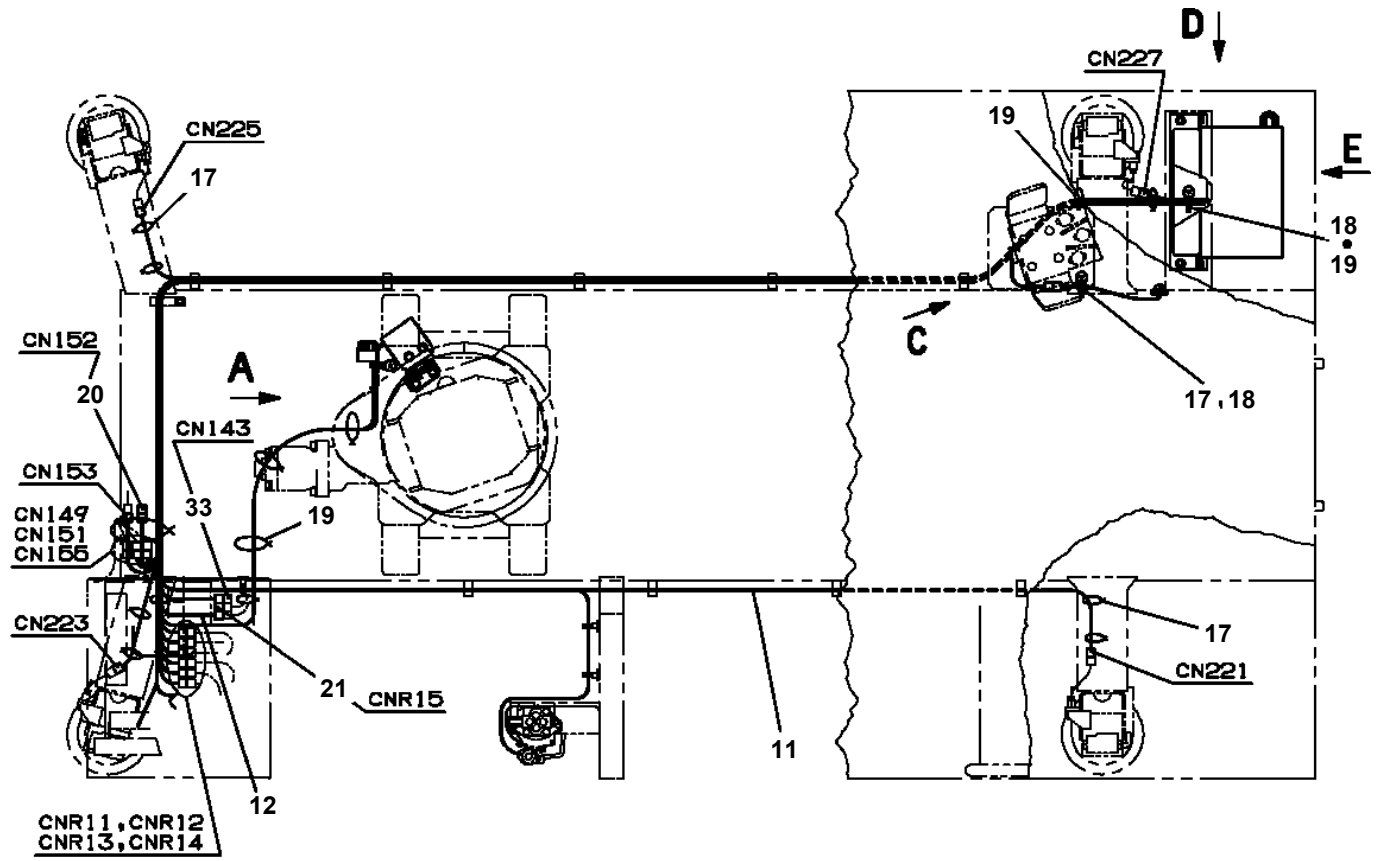
Pos No.	Parts No	Parts Name	Qty	Unit	Technical Data	Serial No (Start)	Serial No (End)	Remarks	Pages
1	31231120101	TABLE,SLEWING	1						
2	37000204920	PIN	1						
3	37000159580	PIN	1				HH5121		
	37000174450	PIN	1			HH5122			
4	37000159250	PIN	1						
5	31231120200	COVER	1						
6	90186208010	BOLT,FLANGE	4		M8X10				
7	37000535670	PLATE	1		T=9				
8	90171120035	BOLT	1		M20X35				
9	90302042001	WASHER,SPRING	1		20				
10	37000558530	PLATE	2		T=9				
11	90174110020	BOLT	4		M10X20				
12	90302041001	WASHER,SPRING	6		10				
13	31631222000	CAP	1						
14	82400000204	GROMMET	1		L=320				
15	37000573180	PLATE	1						
16	90174110025	BOLT	2		M10X25				
17	90180108014	BOLT,BUTTON	5		M8X14				
18	90302040801	WASHER,SPRING	5		8				
19	90303070801	WASHER,PLAIN	5		8				
20	31231120300	COVER	1						
21	82456101000	NIPPLE,GREASE	1		A-PT1/8	HH5122			
22	82400000459	CAP	1			HH5122			

AT-80-1 42006100010 UPPER
PL1020082-00 LEVER,CONTROL

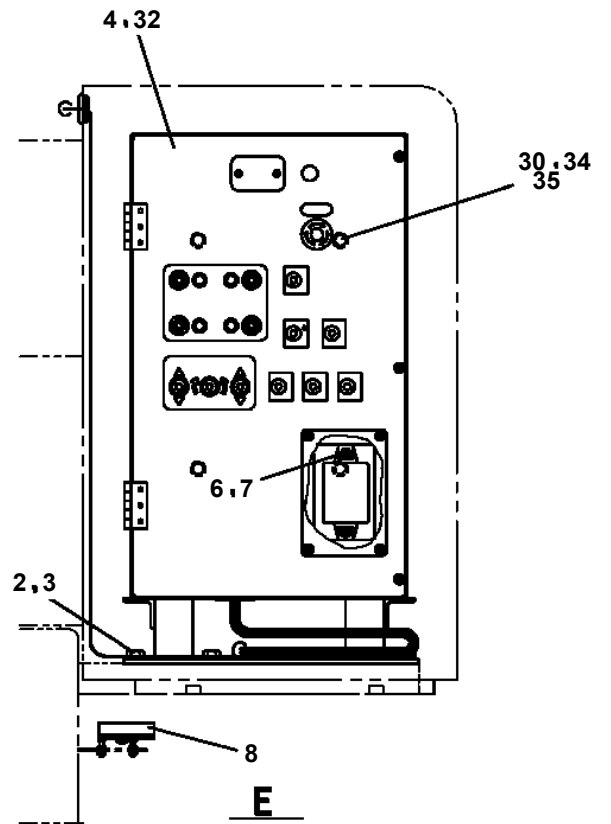
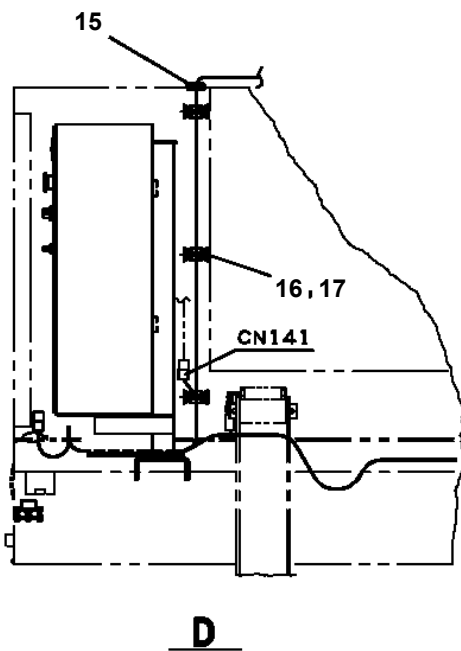
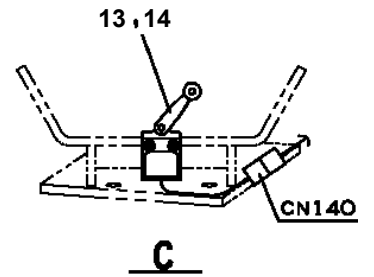
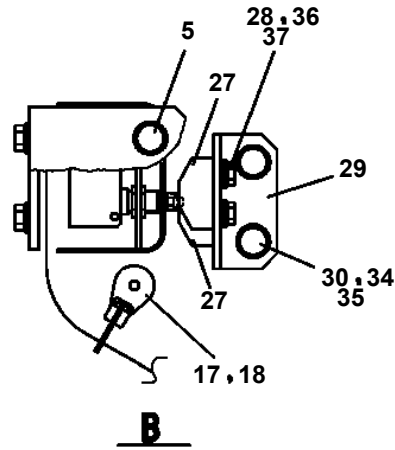
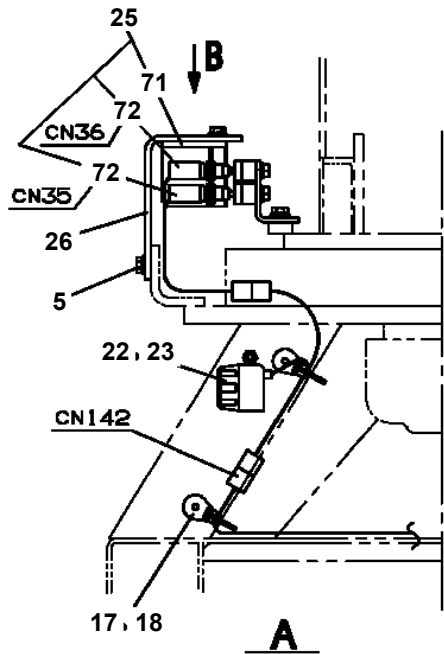
100



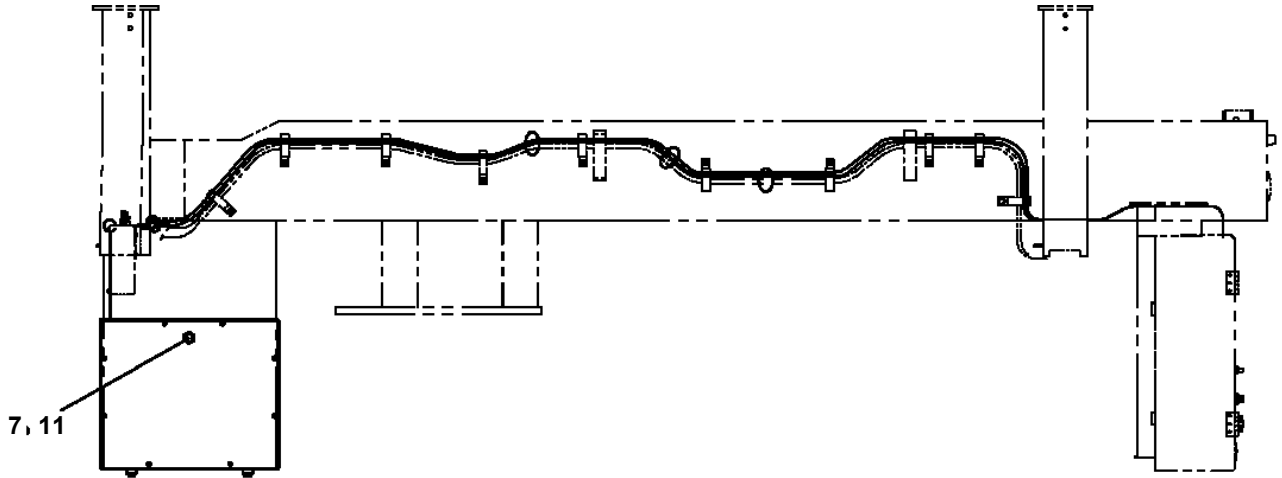
AT-80-1 42006100010 UPPER
PN1012804-01 ELEC.ASSY (FRAME)



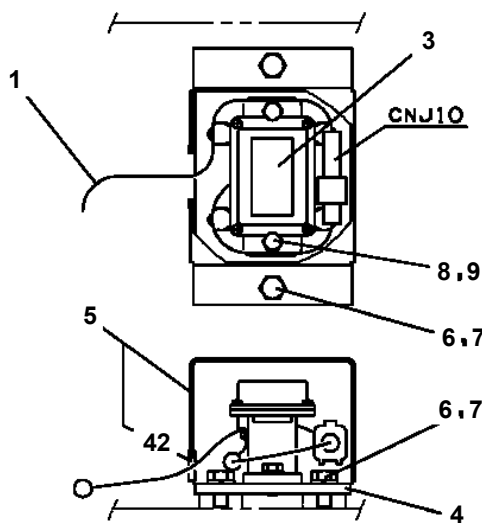
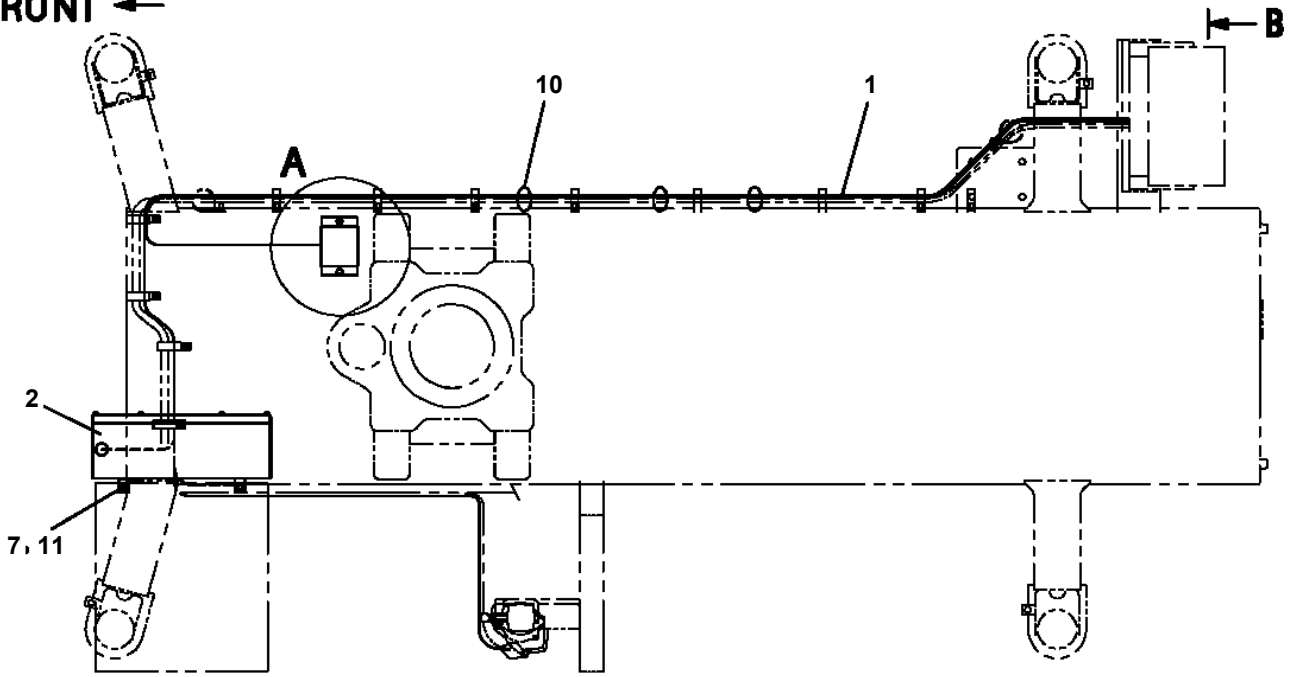
**AT-80-1 42006100010 UPPER
PN1012825-01 ELEC.ASSY (FRAME)**



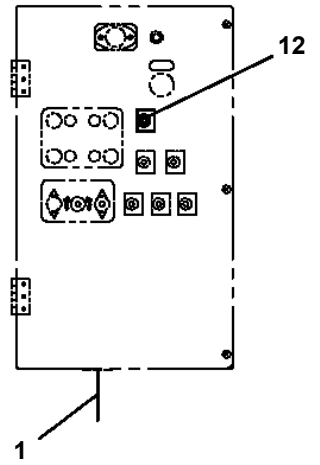
**AT-80-1 42006100010 UPPER
PN1013896-02 ELEC.ASSY**



FRONT ←

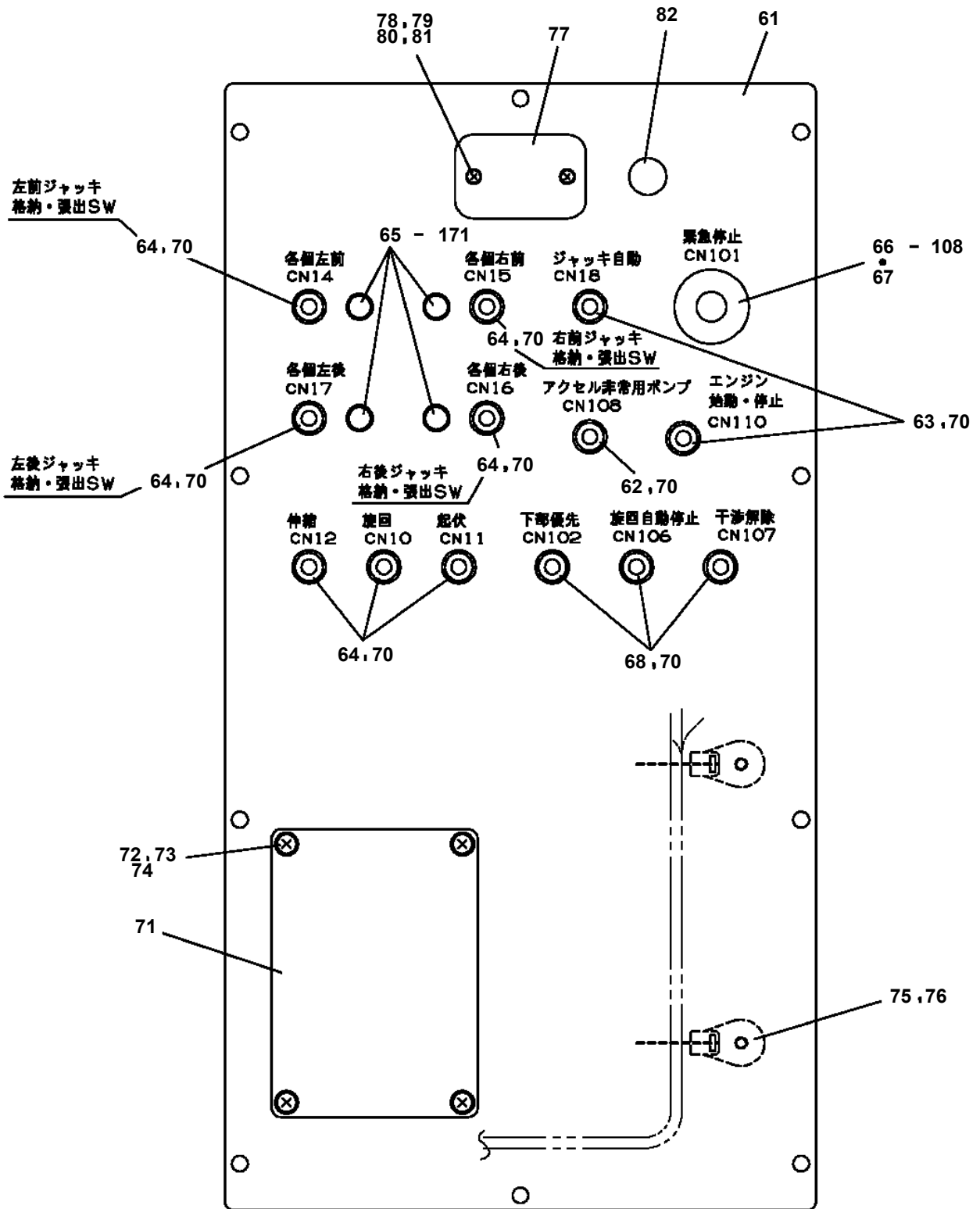


A



B

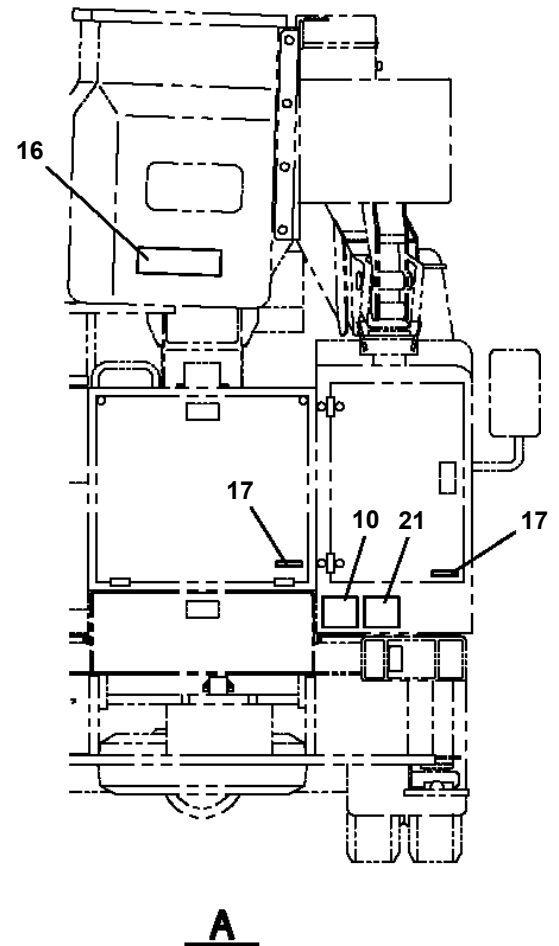
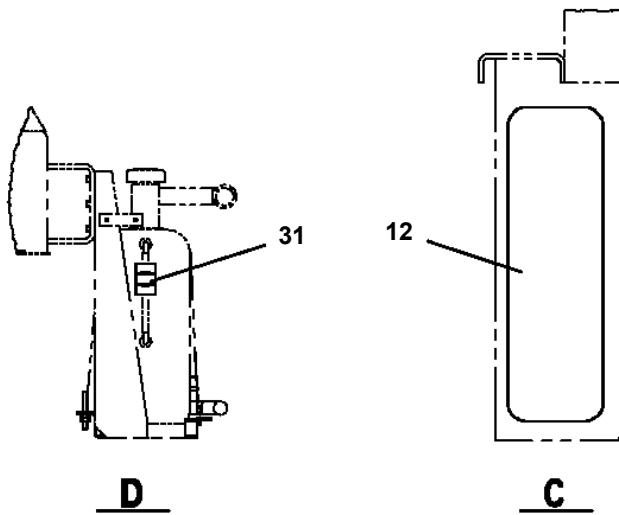
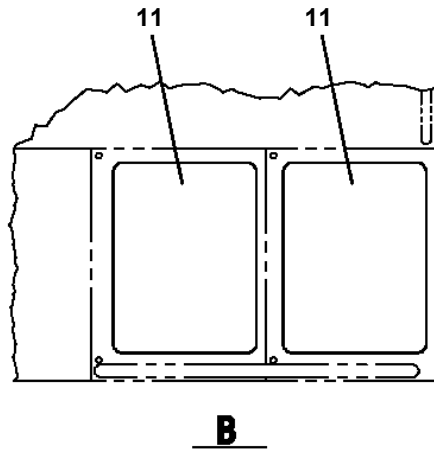
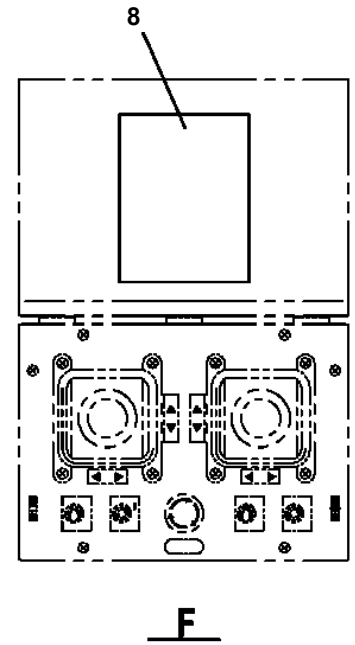
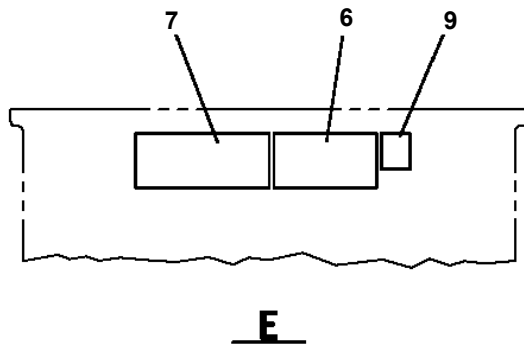
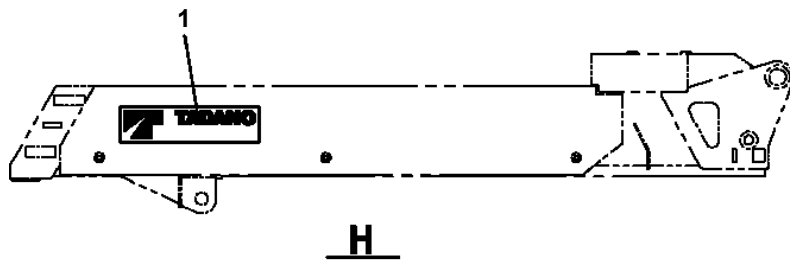
AT-80-1 42006100010 UPPER
PN1110276-01 RELAY



AT-80-1 42006100010 UPPER

Pos No.	Parts No	Parts Name	Qty	Unit	Technical Data	Serial No (Start)	Serial No (End)	Rema
11	42652875020	CASE (WITH NAME PLATE)	1					
12	42652875030	COVER (CASE)	1					
15	42652875040	HARNESS (1)	1					
16	42652875050	HARNESS (2)	1					
21	42500887510	BOARD,CIRCUIT (WITH DATA)	1					
31	42652807530	SEAT,PANEL (NAME PLATE)	1					
50	42500881500	CONTROLLER	1					

**AT-80-1 42006100010 UPPER
PO1013499-03 PLATE ASSY,NAME (VEHICLE)**



AT-80-1 42006100010 UPPER

Pos No.	Parts No	Parts Name	Qty	Unit	Technical Data	Serial No (Start)	Serial No
1	80561100080	NUT	1		AN08		
2	80602110800	RING,RITAINING	1		R80		
3	36080495210	SPACER	1				
4	80500006208	BEARING,BALL	1				
5	36080495220	WORM	1				
6	36080755030	BEARING,NEEDLE	1		BK3020+IR25*30*18		
7	36080495090	GAUGE,OIL	1				
8	36080235080	WASHER,SEAL	1		M16		
9	80316090060	PLUG	1		KKT PT3/8		
10	80561100070	NUT	1		AN07		
15	91206055002	SEAL,OIL	1				
16	36080495042	CASE,GEAR	1				
17	80513006308	BEARING,BALL	1				
18	36080495050	BOLT,SEMS (M10X25,WITH WASHER)	6				
19	36080015000	PIN	2				
20	36080495060	KEY	1				
21	36080495070	WHEEL,WORM	1				
22	36080495230	CASE,GEAR	1				
23	80500006207	BEARING,BALL	1				
51	36081775500	GEAR,SPUR	1				
100	36081770001	SWING ASSY	1				

AT-80-1 42006100010 UPPER

Pos No.	Parts No	Parts Name	Qty	Unit	Technical Data	Serial No (Start)	Serial No (End)	Rem
1	42460015010	BAG,TOOL	1					
2	91991510003	HEXAGON BARWRENCH (G3)	1					
3	91991510004	HEXAGON BARWRENCH (G4)	1					
4	91991510005	HEXAGON BARWRENCH (G5)	1					
5	91991510006	HEXAGON BARWRENCH (G6)	1					
6	91991510008	HEXAGON BARWRENCH (G8)	1					
7	91991510010	HEXAGON BARWRENCH (G10)	1					
8	91991441311	SPANNER	1		13X11			
50	42473931000	TOOLS	1					

CLICK HERE TO **DOWNLOAD** THE COMPLETE MANUAL

- Thank you very much for reading the preview of the manual.
- You can download the complete manual from: www.heydownloads.com by clicking the link below



- Please note: If there is no response to CLICKING the link, please download this PDF first and then click on it.

CLICK HERE TO **DOWNLOAD** THE COMPLETE MANUAL