

AT-200S-2 42076200022 UPPER

PD2000254-00 SWING UNIT

PG2000330-00 BOOM UNIT

PH1000550-00 SAFETY DEVICES (MOTION CONTROLLER)

PJ1000007-00 PLATFORM SYSTEM

PK2000918-00 FRAME UNIT

PO1000149-00 INDICATION PLATES

PW1000118-00 ACCESSORIES & TOOLS

PY1001638-01 OPTIONS,1

PY2000225-04 OPTION UNIT,2 (UPPER)

ASSEMBLY

CLICK HERE TO **DOWNLOAD** THE COMPLETE MANUAL

- Thank you very much for reading the preview of the manual.
- You can download the complete manual from: www.heydownloads.com by clicking the link below



- Please note: If there is no response to CLICKING the link, please download this PDF first and then click on it.

CLICK HERE TO **DOWNLOAD** THE COMPLETE MANUAL

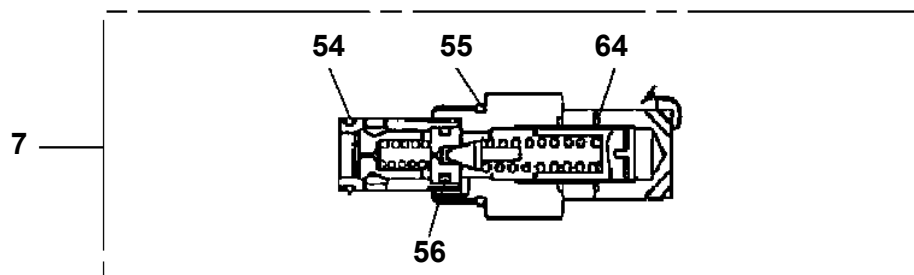
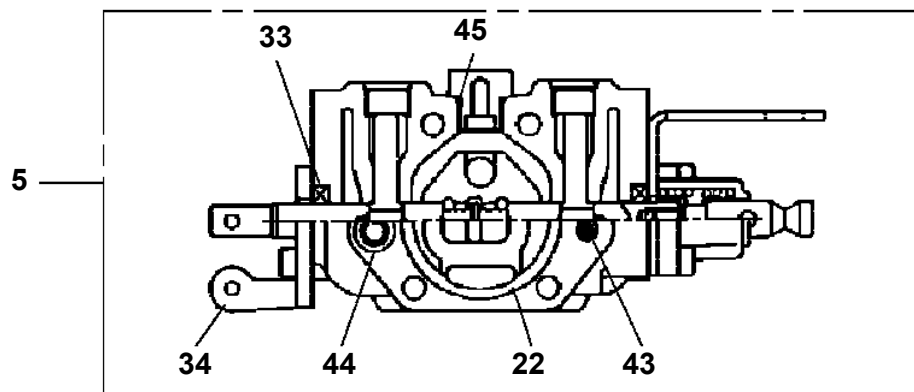
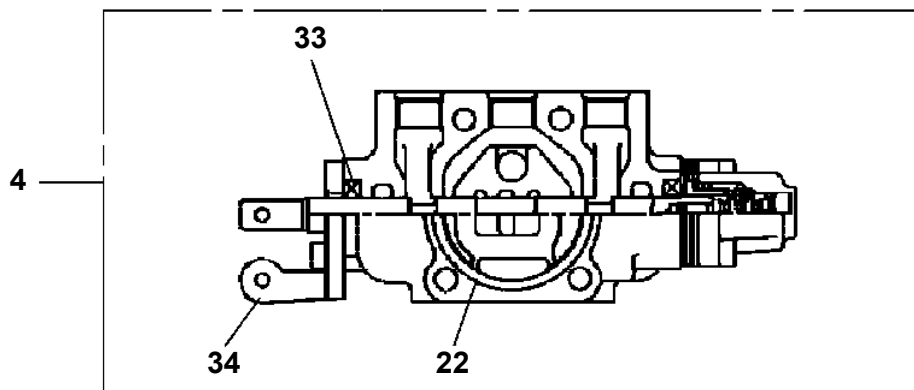
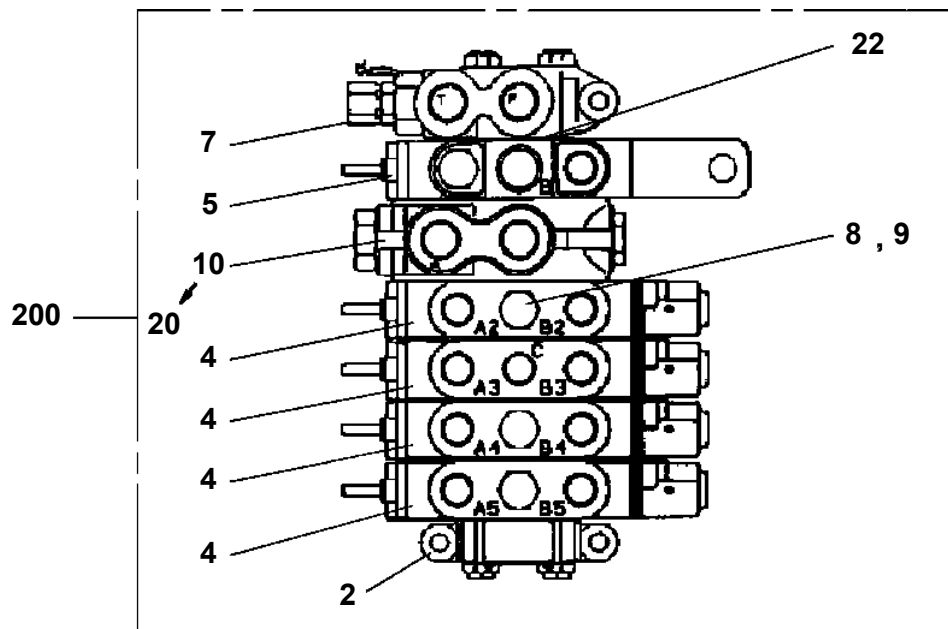
AT-200S-2 42076200022 UPPER

Pos No.	Parts No	Parts Name	Qty	Unit	Technical Data	Serial No (Start)	Serial No (End)	Remark
1	(*****)	FRAME ASSY	1					
2	(*****)	OUTRIGGER (FRONT)	1					
3	(*****)	OUTRIGGER (REAR)	1					
4	(*****)	PIPING ASSY,FRAME	1					
5	(*****)	ELEC.ASSY,FRAME	1					
6	(*****)	OPE.ASSY,OUTRIGGER	1					
7	(*****)	MOUNT ASSY,TANK SUPPORT	1					

AT-200S-2 42076200022 UPPER

PB1130138-03 TANK,OIL
PB1300453-01 JOINT,ROTARY
PB1300454-00 JOINT,ROTARY
PB1300455-01 JOINT,ROTARY
PB1320209-03 VALVE,MANUAL CONTROL (OUTRIGGER)
PB1400385-07 PIPING,UPPER
PB5270005-01 BOX ASSY,OPERATION
PB5320003-00 BREAKER ASSY
PC1010727-03 OUTRIGGER (FRONT)
PC1010729-04 OUTRIGGER (REAR)
PC1030265-07 CYLINDER,JACK
PC1050213-02 CYLINDER,EXTENSION
PC1100232-01 OPE.ASSY,OUTRIGGER
PC1190054-01 INDICATOR,OUTRIGGER
PC1370028-03 DETECTOR SYSTEM, OUTRIGGER LENGTH
PC1380016-01 DETECTOR,OUTRIGGER LENGTH
PC5150070-01 CASE ASSY,INNER (FRONT)
PC5150071-01 CASE ASSY,INNER (REAR,RIGHT)
PC5150072-02 CASE ASSY,INNER (REAR,LEFT)
PC5420023-00 CONTROLLER
PC5570166-00 COVER ASSY
PC6400015-00 CYLINDER ASSY,LEVELING
PD1010159-00 REDUCER,SWING SPEED
PD1010170-01 REDUCER,SWING SPEED (MOUNT)
PD1020048-00 SWING UNIT (PLATFORM)
PE1010358-05 CYLINDER ASSY,DERRICK
PE1010488-01 DERRICK ASSY
PE1050099-06 CYLINDER,LEVELING
PE5110030-02 ELEC.ASSY,FRAME
PE5190013-00 ELEC.ASSY,SWING FRAME
PF5100110-00 FRAME ASSY
PF5100163-01 FRAME ASSY
PF5190001-00 FALL ARREST SYSTEM (TB-LSA-550/FUJII-DENKO)
PG1010920-01 BOOM
PG1050532-01 CYLINDER ASSY,TELESCOPING
PG1070163-00 REEL,HOSE
PG1120191-01 DETECTOR,BOOM LENGTH
PG1220111-01 PIPING,BOOM
PG5200016-00 GUARD ASSY
PG5200034-00 GUARD ASSY
PH5030226-00 HARNESS
PH5030284-01 HARNESS
PH5030299-01 HARNESS
PH5030308-00 HARNESS
PH5030309-00 HARNESS
PH5030311-00 HARNESS
PH5030312-00 HARNESS
PH5030313-00 HARNESS
PH5030314-01 HARNESS (CONTACT SENSOR)
PH5030315-00 HARNESS
PH5030317-00 HARNESS
PH5030398-00 HARNESS
PH5030400-00 HARNESS
PH5030403-00 HARNESS
PH5030409-00 HARNESS
PH5030410-00 HARNESS
PH5030418-00 HARNESS
PH5030419-00 HARNESS
PH5030500-01 HARNESS
PH5032750-00 HARNESS
PH5034604-00 HARNESS
PH5034605-00 HARNESS
PI1100136-01 VALVE,RELIEF
PI1120136-01 VALVE,SOLENOID

AT-200S-2 42076200022 UPPER
 PB1320209-03 VALVE, MANUAL CONTROL (OUTRIGGER)



展開図有
 ILLUSTRATED BREAKDOWN NO.10, 20

AT-200S-2 42076200022 UPPER

Pos No.	Parts No	Parts Name	Qty	Unit	Technical Data	Serial No (Start)	Serial No
1	42332037581	BOARD,CPU (WITH DATA)	1				HF5731
	42333527620	BOARD,CPU (WITH DATA)	1			HF5732	
2	42332031160	BOARD,CIRCUIT	1				HF5569
	42332037810	BOARD,CIRCUIT (WITH DATA)	1			HF5570	
3	42332201150	BOARD,CIRCUIT	1				
4	42332207530	COVER	1				
5	42332207540	BOX	1				
6	42332207550	PANEL	1				
7	42332207560	PANEL	1				
8	42332207570	PLATE ASSY (BASE)	1				
9	42332207580	COVER	1				
10	42332207590	PLATE	1				
11	42331227790	PLATE,NAME (FRONT)	1				
13	42331227860	GUARD ASSY (SWITCH)	2				
14	42331227780	PACKING	1				
15	42332207600	PLATE,NAME	1				
16	42332207610	COVER	1				
17	42331597590	PACKING	2				
18	42352737730	LAMP	2				
19	42331597600	DAMPER SET (ROTARY)	1				
20	42331597610	DAMPER SET (ROTARY)	1				
21	44330577610	CATCH (SPRING SET)	1				
22	42332207620	GUARD ASSY	1				
23	44330577590	CAP ASSY	1				
24	42331227650	CATCH SET	1				
25	42331227640	RUBBER ASSY	2				
26	44330577680	INSULATOR (SET)	1				
27	82430725000	KNOB	2				
28	42332207630	JOY STICK,CONTROLLER	1				HF5569
	42332201191	JOY STICK,CONTROLLER (HJ2-11112T-571)	1			HF5570	
29	42332207640	JOY STICK,CONTROLLER	1				HF5569
	42332201181	JOY STICK,CONTROLLER (HJ2-11113T-532)	1			HF5570	
30	42331917540	SWITCH,PUSH	1				
31	44330577700	CONNECTOR	1				
32	42332207520	CAP	9				
33	82105221286	SWITCH,TOGGLE	4				
34	42331227910	SWITCH,TOGGLE	1				
35	82105221254	SWITCH,TOGGLE	1				
36	82105221183	SWITCH,TOGGLE	2				
37	82105221152	SWITCH,TOGGLE	1				
38	42332207650	LAMP ASSY	1				
39	42332207660	SCREW	14				
40	82163351221	LAMP,PILOT	2				
41	42332207670	PACKING	1				
42	42332207680	PACKING	1				
43	42332207690	SCREW	10				
44	42332207700	NUT	9				
45	(*****)	P-ROM	1				HF5569
46	(*****)	P-ROM	1				HF5569
61	42331227690	BOOT	2				HF5569
	42330037800	BOOT	2			HF5570	
100	42332201001	BOX ASSY,OPERATION	1				

AT-200S-2 42076200022 UPPER

Pos No.	Parts No	Parts Name	Qty	Unit	Technical Data	Serial No (Start)	Serial No (End)	Remarks	P
1	91660003001	SEAL,DUST	1						
2	91694003000	PACKING	1						
3	91002904000	O-RING	1		1B G40				
4	36040335021	COVER,ROD	1						
5	36042785100	CYLINDER	1						
10	80316090010	PLUG	3		KKT PT1/16				
11	91002802000	O-RING	1		1B P20				
12	91411203501	RING,BACKUP	2						
13	90302041801	WASHER,SPRING	1		18				
14	36042405301	PISTON	1						
15	91684004500	PACKING	2						
16	90209201800	NUT	1		M18				
22	36042785010	ROD ASSY	1						
40	36042419902	PACKING SET	1		30X45				
100	36042780000	CYLINDER,EXTENSION	1						

AT-200S-2 42076200022 UPPER

Pos No.	Parts No	Parts Name	Qty	Unit	Technical Data	Serial No (Start)	Serial No (End)	Remark
1	32610000040	SPACER	2		L=12			
2	42611531300	COVER	1					
3	90302040801	WASHER,SPRING	4		8			
4	90101208012	BOLT	2		M8X12			
5	42610280010	PIN	1					
6	80601110320	RING,RITAINING	2		S32			
8	42612581101	CASE,INNER	1					
9	37000158840	PIN	1					
10	80601110300	RING,RITAINING	2		S30			
12	90302041001	WASHER,SPRING	4		10			
13	90172110040	BOLT,HEXAGON SOCKET	2		M10X40			
14	42612871301	CASE,INNER (FRONT)	1					
15	37000166850	PIN	2		18X55			
16	80136332036	PIN,SPLIT	4		3.2X36			
18	37000166980	PIN	1					
19	80601110120	RING,RITAINING	2		S12			
21	90101210016	BOLT	2		M10X16			
22	90201200800	NUT	2		M8			
23	37000600920	CLAMP	1		L=90			
24	36030140001	CYLINDER,JACK	1					
25	36625490000	VALVE,CHECK	1					
26	80400160127	JOINT	1					
27	91002801100	O-RING	1		1B P11			
28	36672460000	FILTER (NIPPLE TYPE)	1					
51	82100002004	CLAMP	1		WR8			
52	90101206010	BOLT	2		M6X1.0			
53	90302040601	WASHER,SPRING	3		6		HF5521	
	90302040601	WASHER,SPRING	2		6	HF5522		
54	90101208012	BOLT	2		M8X12			
55	42611521250	PLATE	1					
56	42950203010	BOLT	1		M6X18			
57	90201200600	NUT	2		M6		HF5521	
	90201200600	NUT	1		M6	HF5522		
58	82104502010	SWITCH,LIMIT	1					
59	90101204030	BOLT	2		M4X30			
60	90302040401	WASHER,SPRING	2		4			
61	42611483300	PLATE	1		T=3			
62	42611483200	PLATE	1		T=3			
63	91810130240	FASTENER	3					
64	90302040801	WASHER,SPRING	4		8			
65	90101206016	BOLT	1		M6X16		HF5521	
66	82100002035	CLAMP	1		WE8			
67	90303070601	WASHER,PLAIN	1		6		HF5521	
81	36042780000	CYLINDER,EXTENSION	1					
82	37002436270	HOSE,TWIN	1		L=2220			
83	42612872500	HARNESS	1		L=4535			
84	91810130250	FASTENER	13					
85	80400160127	JOINT	2					
86	82100001413	TUBE,SPIRAL	1	M	SE-15BK			
87	91002801100	O-RING	3		1B P11			
100	42612871002	CASE ASSY,INNER (FRONT)	1					
101	42612581600	SUPPORT	1					
102	37002010620	PLATE,SLIDE	1					
103	80185308020	SCREW,MACHINE	2		M8X20			
105	90201200800	NUT	2		M8			

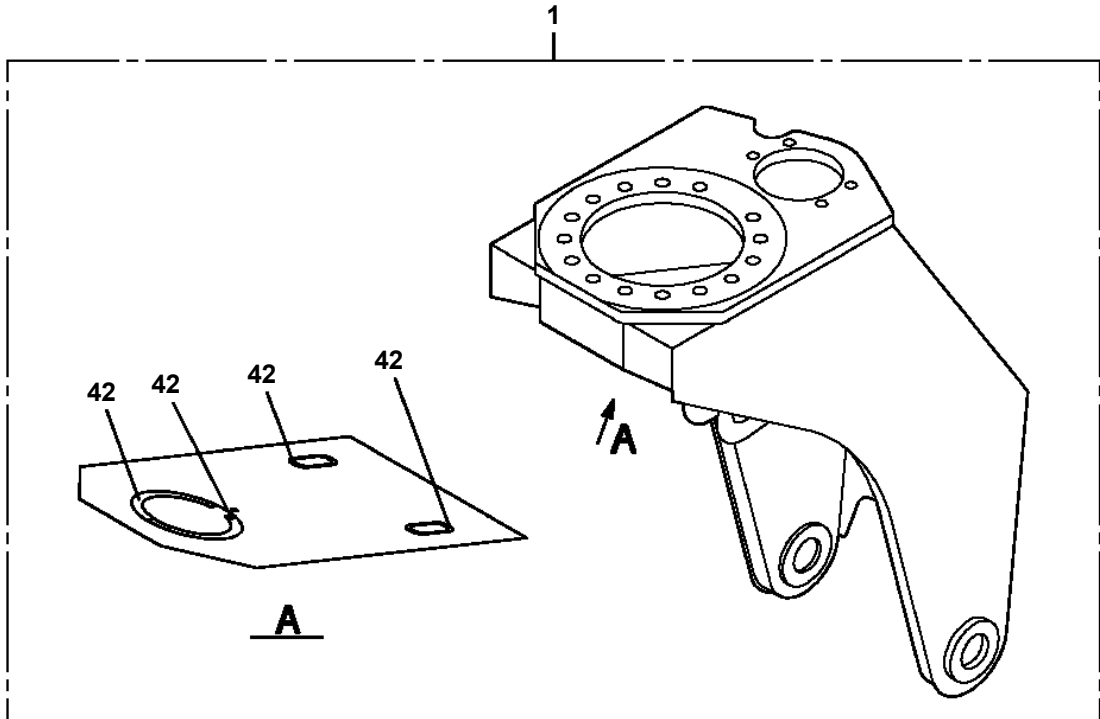
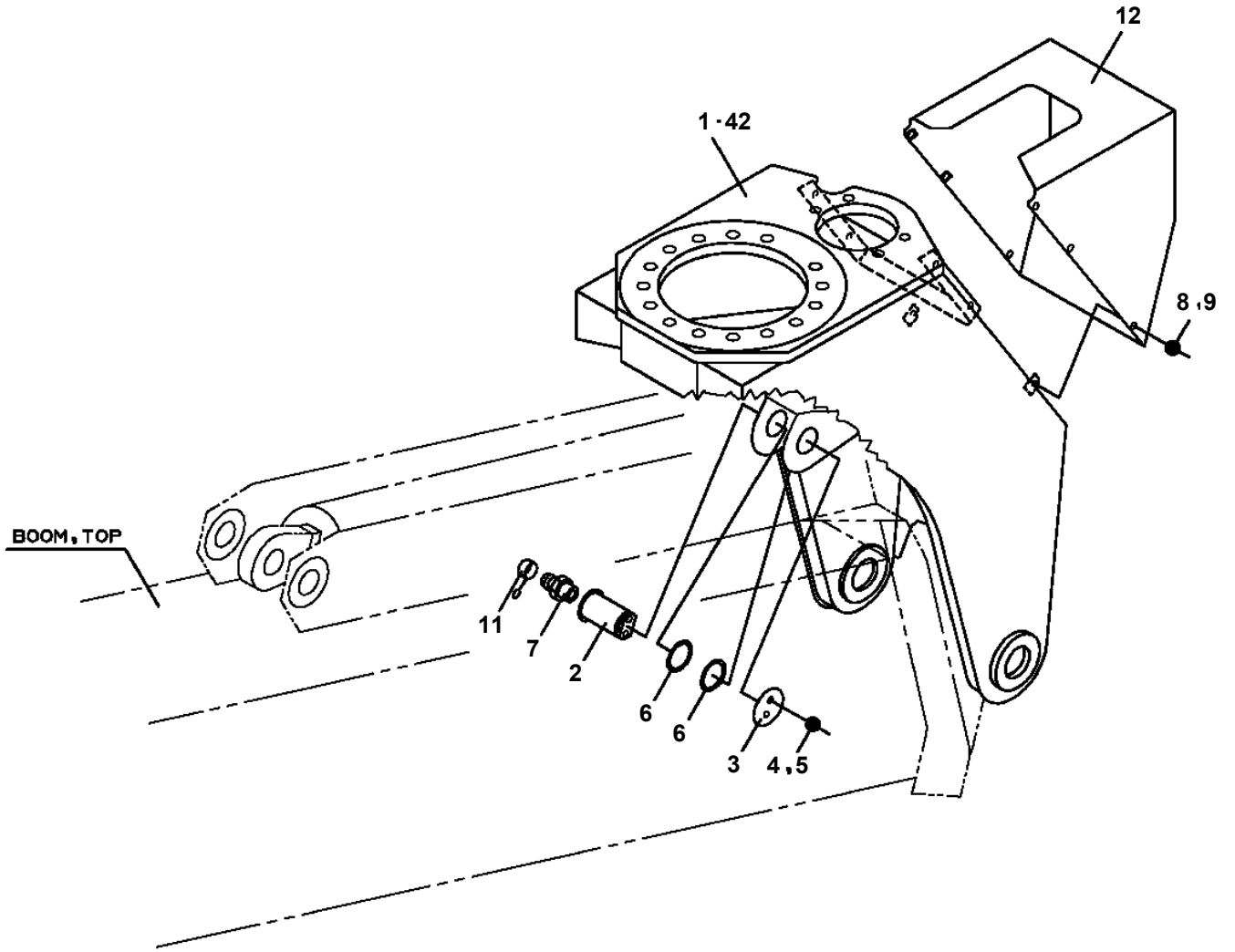
AT-200S-2 42076200022 UPPER

Pos No.	Parts No	Parts Name	Qty	Unit	Technical Data	Serial No (Start)	Serial No (End)	Remark
1	36026001001	CYLINDER	1					
3	36053177000	PISTON	1					
4	91302211500	BEARING,PLAIN	2					
5	91684011500	PACKING	2					
6	91431210001	RING,BACKUP	1					
7	91411210001	RING,BACKUP	1					
8	91002806500	O-RING	1		1B P65			
9	36026004000	ROD	1					
10	80316030020	PLUG	1		PT1/8			
11	80612110720	RING,RITAINING	1		AR72			
12	80801006540	BEARING,PLAIN	1					
13	91002911000	O-RING	1		1B G110			
14	36026009510	COVER,ROD	1					
15	91694106500	PACKING	1					
16	91410206503	RING,BACKUP	1					
17	91660006500	SEAL,DUST	1					
18	80622000650	RING,RITAINING	1		SP65			
19	91002904500	O-RING	1		1B G45			
20	36026003000	END,ROD	1					
21	90730008120	SCREW,SET	1		M8X12			
32	80801004050	BEARING,PLAIN	2					
51	80604110620	RING,RETAINING	2					
52	80530000114	BEARING,SPHERICAL	1					
53	82100000548	CONNECTOR	1					
55	82100001411	TUBE,SPIRAL	1	M	SE-08BK			
71	82100001155	CONNECTOR	1					
90	36026009900	PACKING SET	1		65X115			
100	36026000001	CYLINDER ASSY,LEVELING	1					

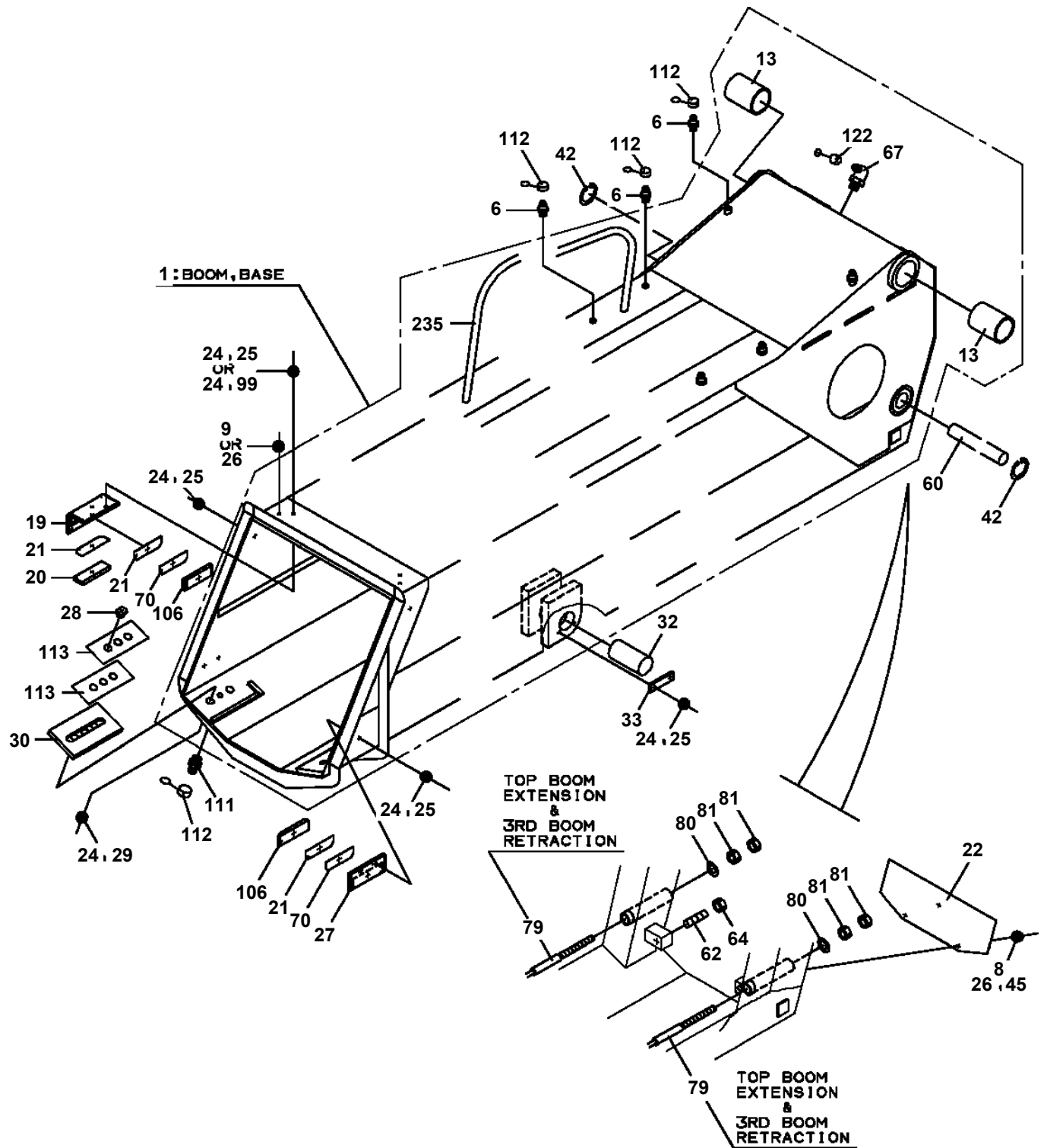
AT-200S-2 42076200022 UPPER

Pos No.	Parts No	Parts Name	Qty	Unit	Technical Data	Serial No (Start)	Serial No (End)
1	36025850000	CYLINDER ASSY,DERRICK	1				
2	36606120000	VALVE ASSY,COUNTERBALANCE	1				
3	90172110070	BOLT,HEXAGON SOCKET	3		M10X70		
4	82400000459	CAP	2				
6	90172110085	BOLT,HEXAGON SOCKET <M10X85.	2				
7	42241350200	FLANGE	1				
8	91002801800	O-RING	1		1B P18		
9	42344290500	JOINT	1				
11	80303130161	FITTING,ELBOW	1		KLO12-030E		
12	81408000160	PIPE,STEEL	1	M	12X1.4T		
13	81408000160	PIPE,STEEL	1	M	12X1.4T		
15	91002801400	O-RING	2		1B P14		
16	80302090161	FITTING	1		KCO12-030N		
31	36625760000	VALVE,CHECK	1				
32	80303130141	FITTING,ELBOW	1		KLO12-020E		
34	80316070040	PLUG	1		PF1/4		
35	91002801100	O-RING	2		1B P11		
37	80303130161	FITTING,ELBOW	1		KLO12-030E		
41	91002801400	O-RING	2		1B P14		

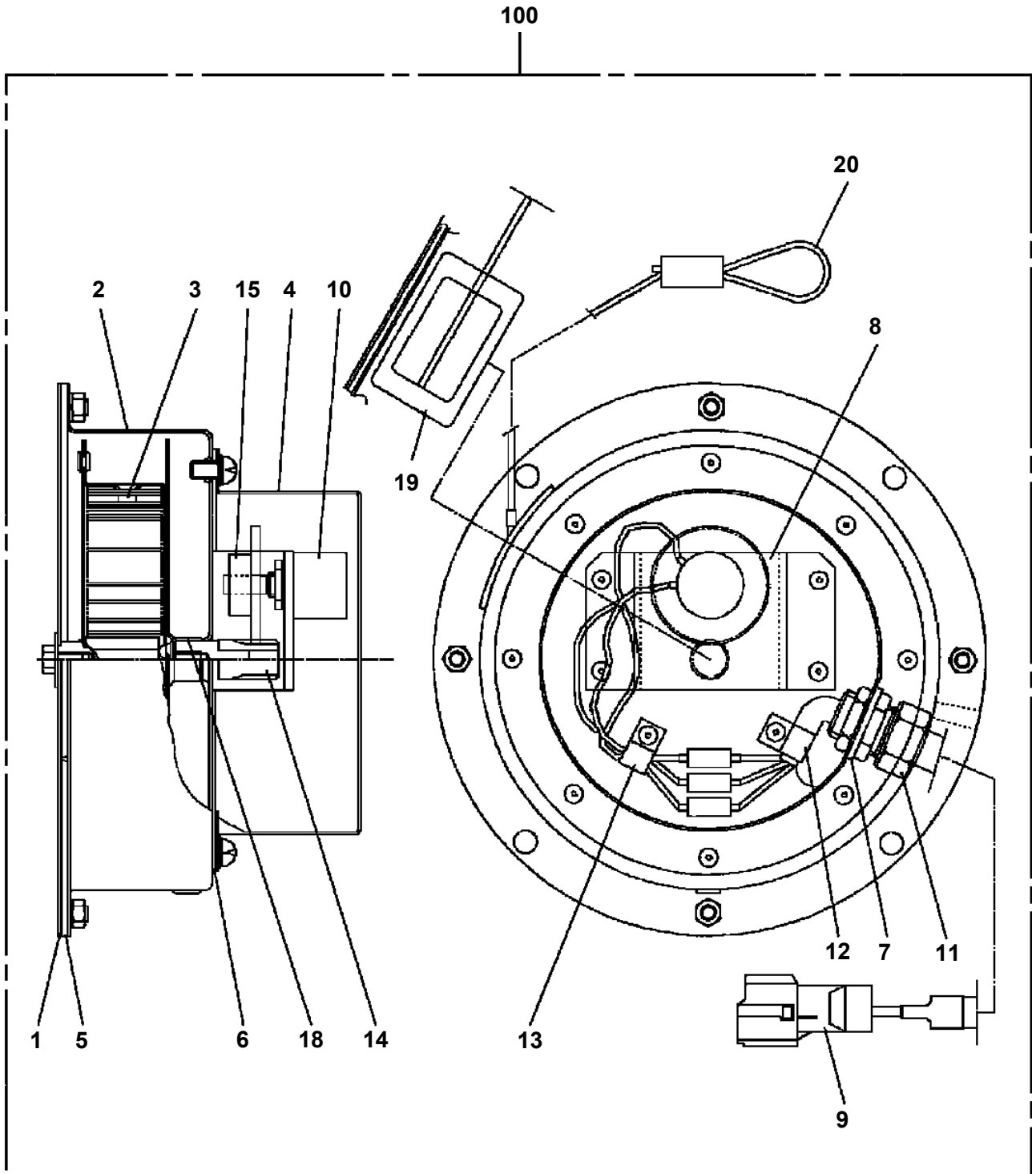
AT-200S-2 42076200022 UPPER
PF5100110-00 FRAME ASSY



**AT-200S-2 42076200022 UPPER
PG1010920-01 BOOM**



AT-200S-2 42076200022 UPPER
PG1120191-01 DETECTOR,BOOM LENGTH



AT-200S-2 42076200022 UPPER

Pos No.	Parts No	Parts Name	Qty	Unit	Technical Data	Serial No (Start)	Serial No (End)	Remarks
1	42268740301	GUARD	1					
2	42268740401	GUARD	1					
3	42268740500	PLATE	1					
4	82464114601	HINGE	3					
5	80172805010	SCREW,MACHINE	24		M5X10			
6	90302510501	WASHER,SPRING	24		5			
7	90303520501	WASHER,PLAIN	24		5			
8	90101208025	BOLT	4		M8X25			
9	90303070801	WASHER,PLAIN	8		8			
10	90201200800	NUT	4		M8			
11	90302040801	WASHER,SPRING	4		8			
12	82466302120	GROMMET	4					
13	90172106016	BOLT,HEXAGON SOCKET	4		M6X16			
14	90303070601	WASHER,PLAIN	4		6			
15	90302040601	WASHER,SPRING	4		6			
16	90201200600	NUT	4		M6			
17	82466085201	CATCH	1					
100	42268740101	GUARD ASSY	1					

AT-200S-2 42076200022 UPPER

Pos No.	Parts No	Parts Name	Qty	Unit	Technical Data	Serial No (Start)	Serial No (End)	Remarks	Pages
100	42354640101	HARNESS	1						

AT-200S-2 42076200022 UPPER

Pos No.	Parts No	Parts Name	Qty	Unit	Technical Data	Serial No (Start)	Serial No (End)	Remarks	Pages
1	42435152000	HARNESS	1						

CLICK HERE TO **DOWNLOAD** THE COMPLETE MANUAL

- Thank you very much for reading the preview of the manual.
- You can download the complete manual from: www.heydownloads.com by clicking the link below



- Please note: If there is no response to CLICKING the link, please download this PDF first and then click on it.

CLICK HERE TO **DOWNLOAD** THE COMPLETE MANUAL

AT-200S-2 42076200022 UPPER

Pos No.	Parts No	Parts Name	Qty	Unit	Technical Data	Serial No (Start)	Serial No (End)	Remarks	Pages
1	42356011200	HARNESS	1		L=19300				

AT-200S-2 42076200022 UPPER

Pos No.	Parts No	Parts Name	Qty	Unit	Technical Data	Serial No (Start)	Serial No (End)	Remarks	Pages
45	34351562510	BOX,FUSE	1						
46	82100001839	FUSE	11		10A.RED				
47	82100001841	FUSE	3		20A,YELLOW				
56	82182809623	DIODE	1						
100	42654972101	HARNESS	1						

AT-200S-2 42076200022 UPPER

Pos No.	Parts No	Parts Name	Qty	Unit	Technical Data	Serial No (Start)	Serial No (End)	Remarks	Pages
5	91002902500	O-RING	4		1B G25				
6	36606655020	SPRING	2						
7	36606405070	SPACER	2						
8	80316090020	PLUG	2		KKT PT1/8				
10	36606665012	PLUG	2						
51	36606669010	POPPET ASSY	2						
100	36606660000	VALVE,RELIEF	1						

AT-200S-2 42076200022 UPPER

Pos No.	Parts No	Parts Name	Qty	Unit	Technical Data	Serial No (Start)	Serial No (End)	Remarks	Pages
1	36620030010	PLUG	1		PF3/8				
2	91002801400	O-RING	1		1B P14				
3	52255101000	SPRING	1						
5	91002801000	O-RING	2		1B P10				
6	36620225052	PISTON	1						
7	91002800700	O-RING	1		1B P7				
9	36624995010	PLUG	1						
10	91002801100	O-RING	1		1B P11				
100	36625490000	VALVE,CHECK	1						

AT-200S-2 42076200022 UPPER

Pos No.	Parts No	Parts Name	Qty	Unit	Technical Data	Serial No (Start)	Serial No (End)	Remarks	Pages
1	36673415020	INDICATOR ASSY	1						
2	36673415030	BODY ASSY	1						
3	91410108000	RING,BACKUP	1		T3 G80				
4	91002908000	O-RING	1		1B G80				
5	91001103200	O-RING	1		1A P32				
6	36673415050	SPRING	1						
7	36673415070	COVER (LOWER)	1						
8	91002801100	O-RING	1		1B P11				
9	36673415060	PLUG	1						
21	36673415080	ELEMENT KIT	1						
100	36673410000	FILTER,OIL	1						

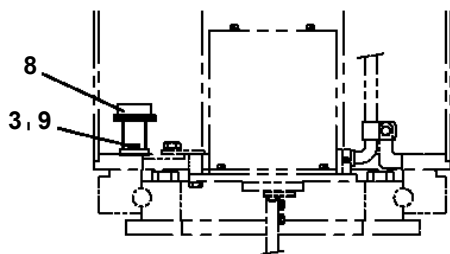
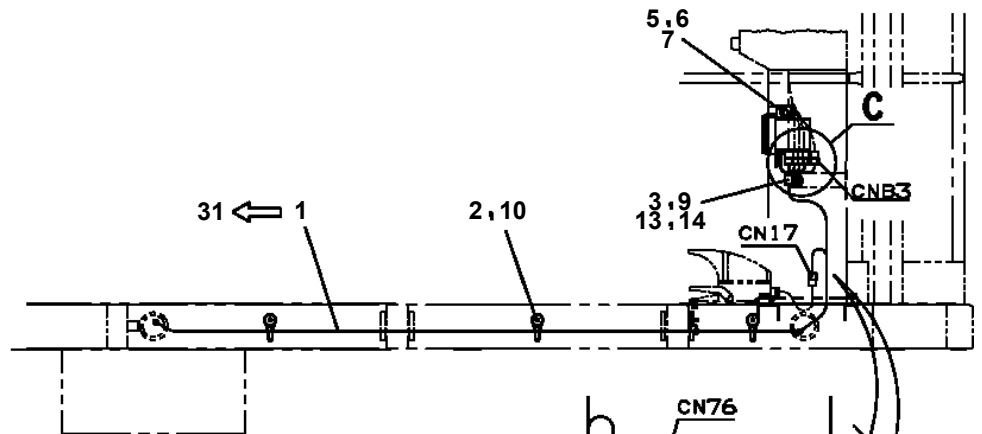
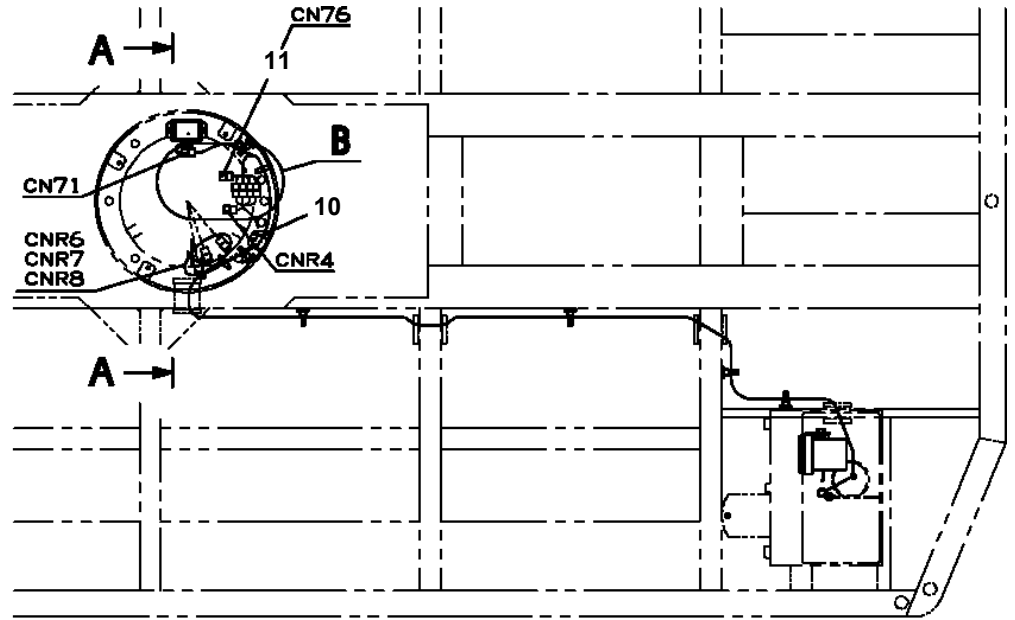
AT-200S-2 42076200022 UPPER

Pos No.	Parts No	Parts Name	Qty	Unit	Technical Data	Serial No (Start)	Serial No (End)	Remarks	Pages
2	42272061000	COVER	1						
3	90101208016	BOLT	10		M8X16				
4	90302040801	WASHER,SPRING	10		8				
5	90303070801	WASHER,PLAIN	10		8				
6	42270890030	COVER	1				HF5746		
	42272060100	COVER	1			HF5747			
7	42270890020	COVER	1				HF5746		
8	90101206014	BOLT	6		M6X14		HF5746		
	90101206010	BOLT	8		M6X1.0	HF5747			
9	90302040601	WASHER,SPRING	6		6		HF5746		
	90302040601	WASHER,SPRING	8		6	HF5747			
10	37000512320	PLATE	6				HF5746		
11	82401800060	PLUG (FOR M6)	4			HF5747			
17	42272060200	COVER	1			HF5747			
20	90303070601	WASHER,PLAIN	8		6	HF5747			
21	42272111000	COVER ASSY	1						
83	82400000311	GROMMET	1		L=1000				000031

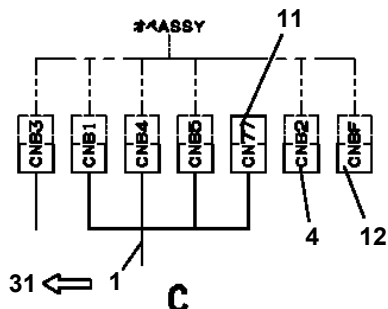
AT-200S-2 42076200022 UPPER

Pos No.	Parts No	Parts Name	Qty	Unit	Technical Data	Serial No (Start)	Serial No (End)	Remarks	Pages
1	16715401000	NIPPLE	2						
2	16715403000	SLEEVE	2						
3	16715404000	NIPPLE	2						
4	82456201000	NIPPLE,GREASE	1		A-TYPE PT1/8				
5	42266209510	PIPE ASSY	1						
6	82400000459	CAP	1						

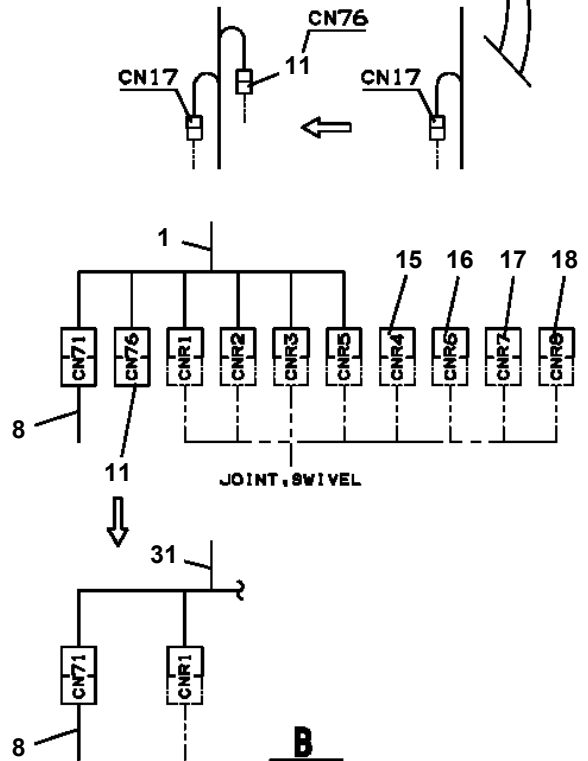
**AT-200S-2 42076200022 UPPER
PN1013878-01 ELEC.ASSY (PLATFORM)**



A-A



C

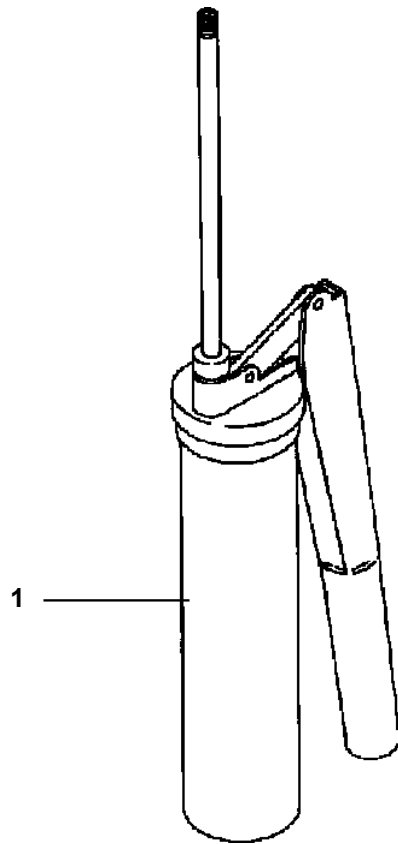


B

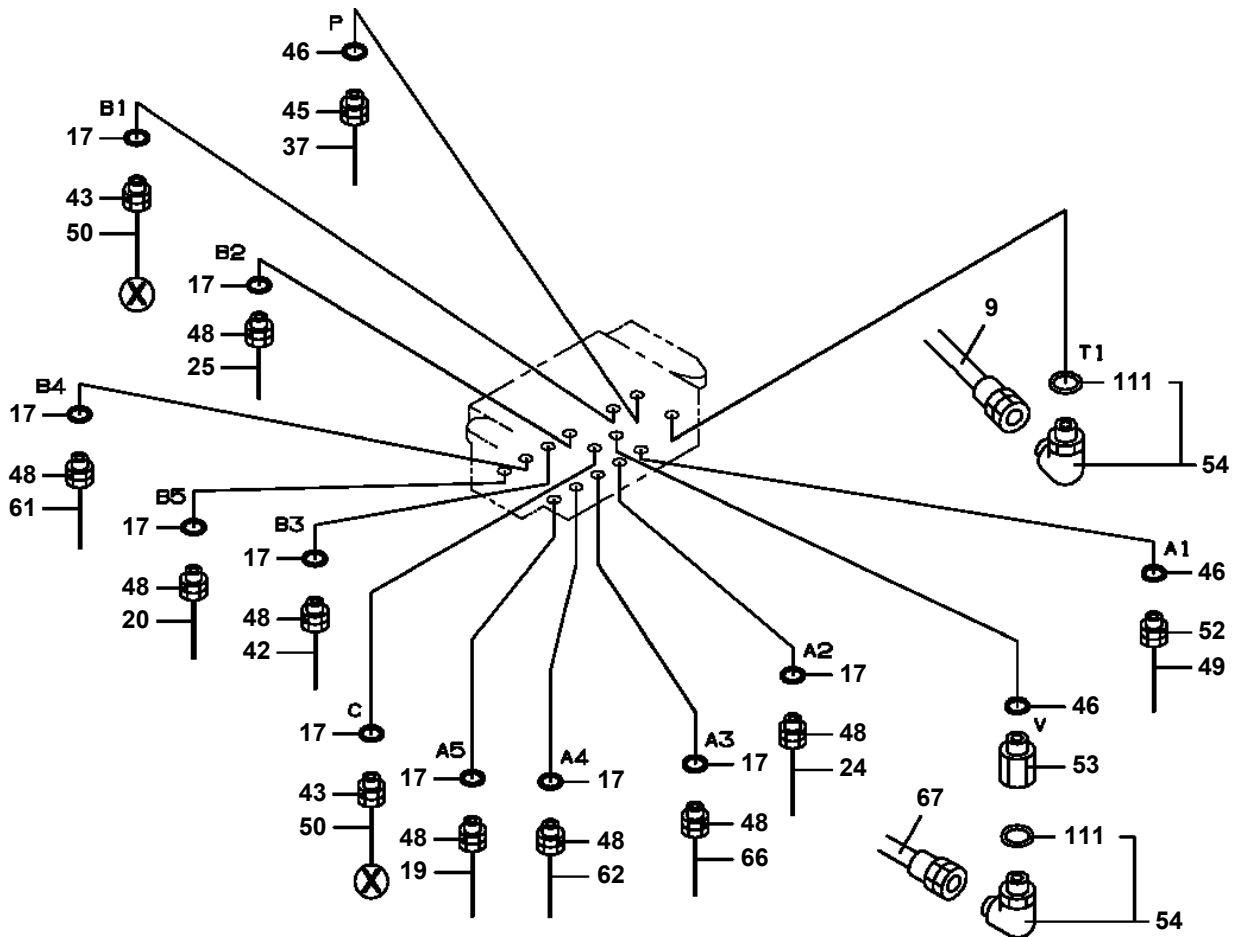
AT-200S-2 42076200022 UPPER

Pos No.	Parts No	Parts Name	Qty	Unit	Technical Data	Serial No (Start)	Serial No
1	42651190500	LAMP ASSY (WITH HARNESS)	4				
2	90813108016	BOLT,WING	4		M8X16		
3	42475320100	SUPPORT	4				
4	90162150250	U-BOLT	8		M8X25A		
5	90302040801	WASHER,SPRING	16		8		
6	90201200800	NUT	16		M8		
7	82100002006	CLAMP	4		WR10		
8	90302040601	WASHER,SPRING	4		6		
9	90101206012	BOLT	4		M6X12		
10	91810130240	FASTENER	34				
11	42357851000	HARNESS	1				HF5509
	42357851001	HARNESS	1			HF5510	
31	82165904070	LAMP	4		24V 55W		
32	90101212020	BOLT	4		M12X20		
33	90302041201	WASHER,SPRING	4		12		
34	37000159530	PIN	4				
35	80620210160	PIN,SNAP	4				
50	82100002837	BULB,LAMP (JAH3 24V55W>	4				
66	82100002838	SWITCH ASSY (WITH HARNESS,TERMINAL)	4				

**AT-200S-2 42076200022 UPPER
PP5450004-00 PUMP, GREASE (400CC)**



AT-200S-2 42076200022 UPPER
PP6130024-02 PIPING ASSY,FRAME



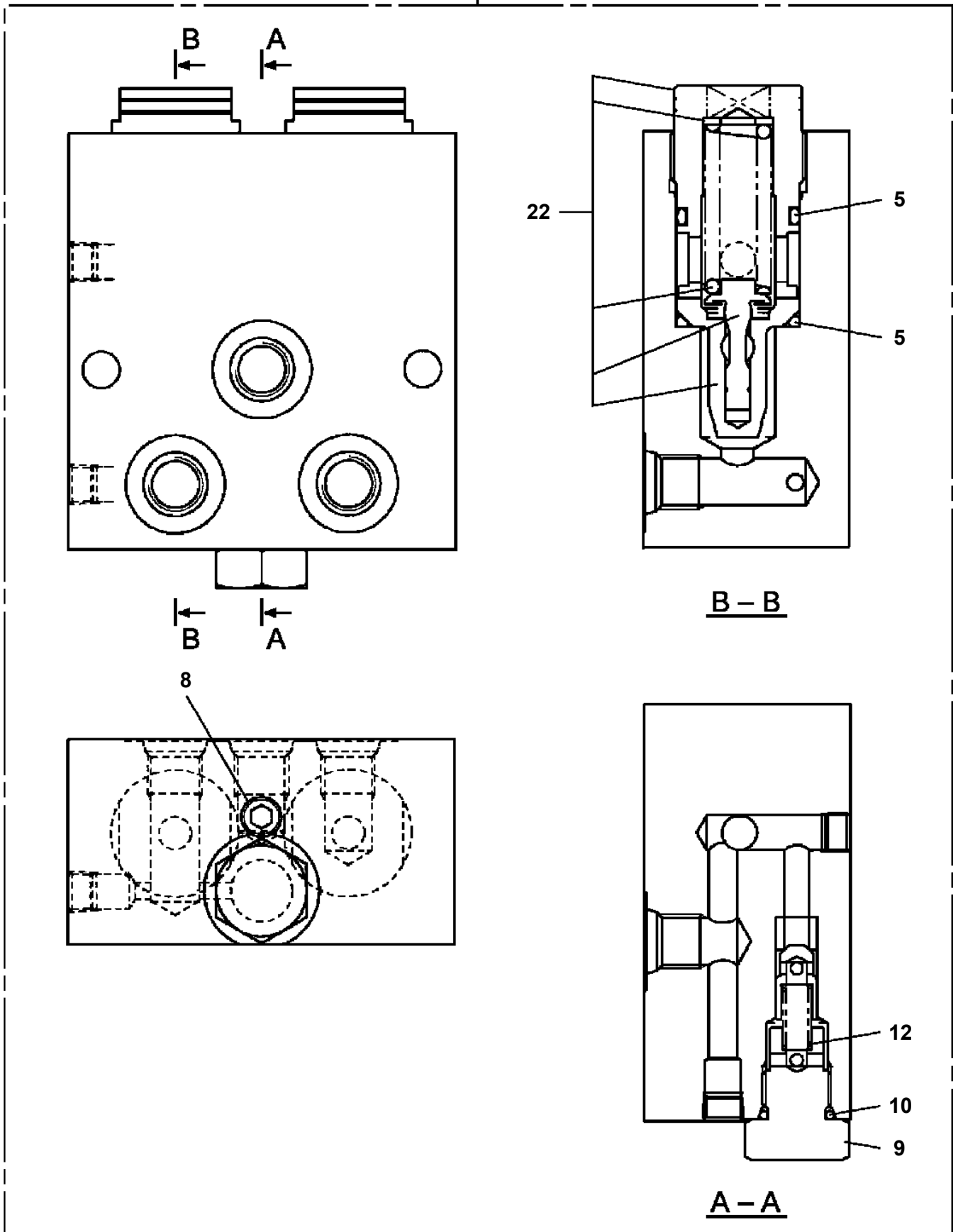
A

AT-200S-2 42076200022 UPPER

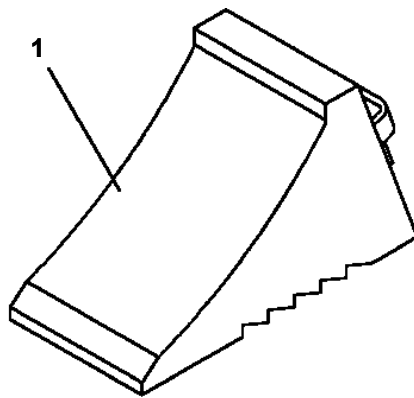
Pos No.	Parts No	Parts Name	Qty	Unit	Technical Data	Serial No (Start)	Serial No (End)	Remarks
1	42434871200	PLATE	1					
2	82108201000	SWITCH	1					
3	42434781100	HARNESS	1					
4	42479292300	HARNESS	1					
5	42434871100	SUPPORT	1					
6	42479292500	SUPPORT	1					
7	42479292600	COVER	1					
8	42479292700	COVER	1					
9	80172804008	SCREW,MACHINE	4		M4X8			
10	90302510401	WASHER,SPRING	4		4			
11	90303520401	WASHER,PLAIN	4		4			
12	90201500400	NUT	4		M4			
13	90101208020	BOLT	4		M8X20			
14	90302040801	WASHER,SPRING	10		8			
15	90303070801	WASHER,PLAIN	14		8			
16	82100002002	CLAMP	2		WR6			
17	90101206016	BOLT	2		M6X16			
18	90201200600	NUT	2		M6			
19	90302040601	WASHER,SPRING	2		6			
20	80182308016	SCREW,MACHINE	6		M8X16			
21	91810130240	FASTENER	20					
22	42434871300	CUSHION	1					
24	90172108035	BOLT,HEXAGON SOCKET	2		M8X35			
25	42479291700	SWITCH	1					
26	80172305040	SCREW,MACHINE	4		M5X40			
27	90302040501	WASHER,SPRING	8		5			
28	90201200500	NUT	4		M5			
29	90201200800	NUT	4		M8			
41	42479302120	SUPPORT	1					
51	42479302110	SUPPORT	1					
52	42479302131	SUPPORT	1					

AT-200S-2 42076200022 UPPER
PV5140019-00 VALVE ASSY,RELIEF

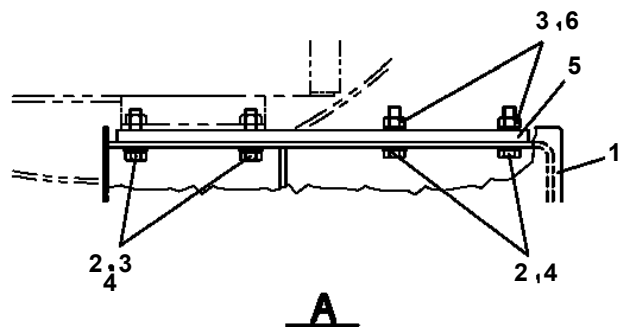
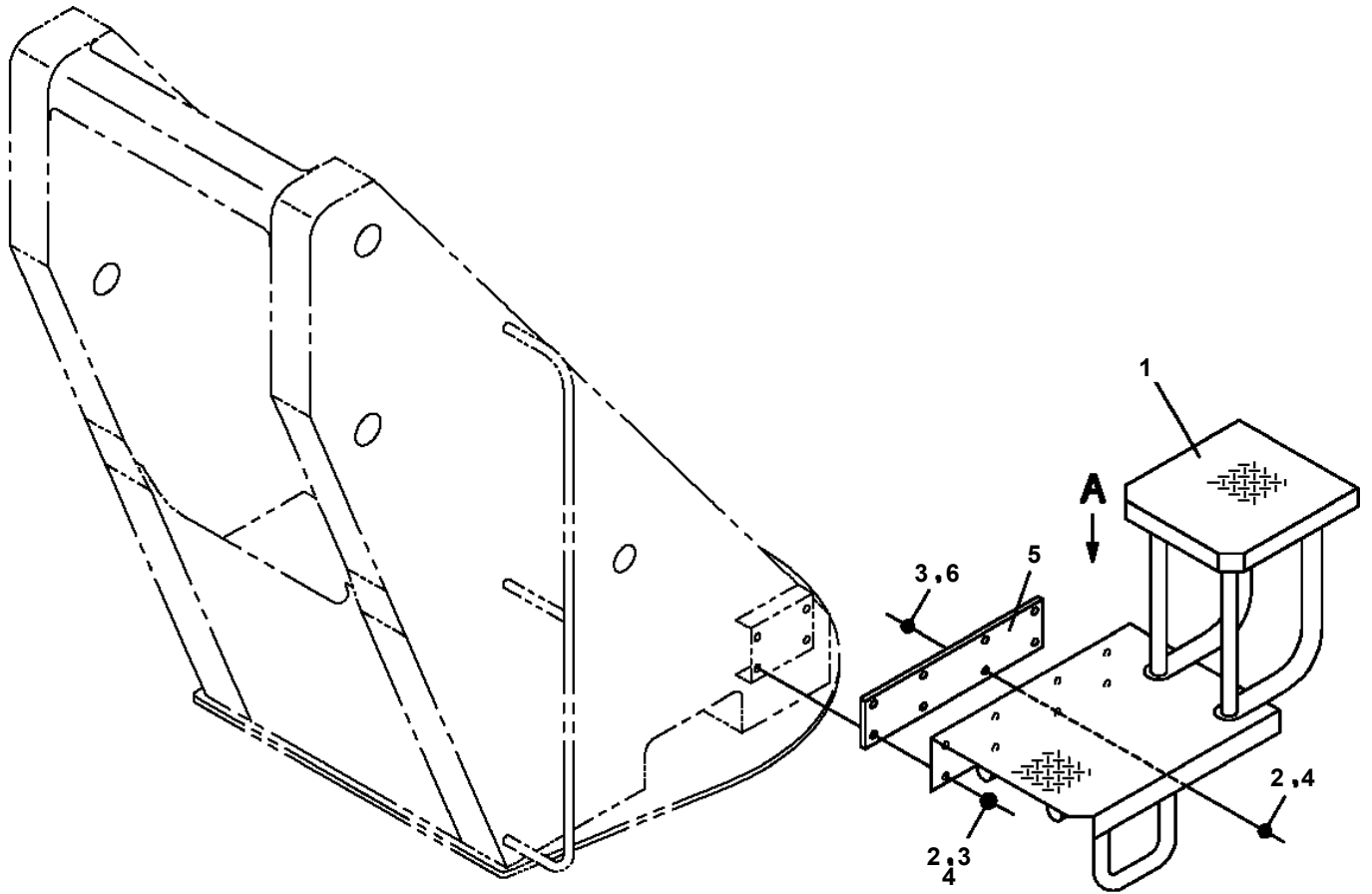
100



**AT-200S-2 42076200022 UPPER
PW5110002-00 WEDGE (STOPPER FOR TIRE/WAZUMI)**



AT-200S-2 42076200022 UPPER
PX5670019-01 MOUNT ASSY,STEP (SWING FRAME)



CLICK HERE TO **DOWNLOAD** THE COMPLETE MANUAL

- Thank you very much for reading the preview of the manual.
- You can download the complete manual from: www.heydownloads.com by clicking the link below



- Please note: If there is no response to CLICKING the link, please download this PDF first and then click on it.

CLICK HERE TO **DOWNLOAD** THE COMPLETE MANUAL