

AT-146-3 43011100055 UPPER

PD2000204-01 SWING UNIT
PF1000679-01 WINCH SYSTEM
PG2000295-00 BOOM UNIT
PH1000550-00 SAFETY DEVICES (MOTION CONTROLLER)
PJ3000511-00 BUCKET SYSTEM
PJ5000003-00 BOOSTER UNIT
PK2001230-01 FRAME UNIT
PO1000171-00 INDICATION PLATES
PW1000118-00 ACCESSORIES & TOOLS
PX1001139-01 MOUNTING PARTS
PY1001439-00 OPTIONS
ASSEMBLY

CLICK HERE TO **DOWNLOAD** THE COMPLETE MANUAL

- Thank you very much for reading the preview of the manual.
- You can download the complete manual from: www.heydownloads.com by clicking the link below



- Please note: If there is no response to CLICKING the link, please download this PDF first and then click on it.

CLICK HERE TO **DOWNLOAD** THE COMPLETE MANUAL

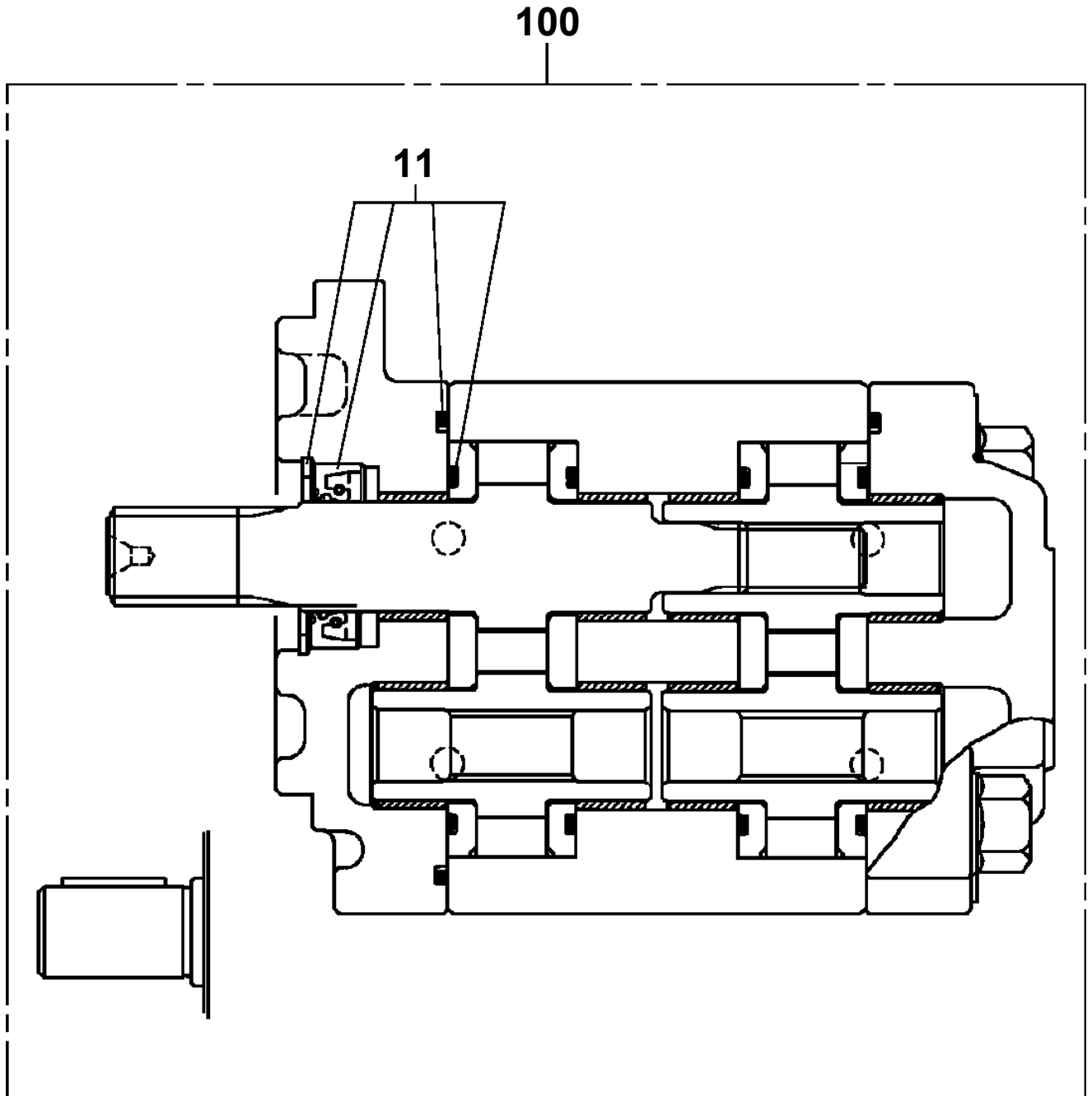
AT-146-3 43011100055 UPPER

Pos No.	Parts No	Parts Name	Qty	Unit	Technical Data	Serial No (Start)	Serial No (End)
1	(*****)	FRAME	1				228521
	(*****)	BUCKET FRAME ASSY	1			228522	228535
	(*****)	BUCKET FRAME ASSY	1			228536	228597
	(*****)	BUCKET FRAME ASSY	1			228598	
2	(*****)	PIPING, BUCKET	1				228535
	(*****)	PIPING ASSY, BUCKET	1			228536	228597
	(*****)	PIPING ASSY, BUCKET	1			228598	
3	(*****)	ELEC. ASSY (BUCKET)	1				228521
	(*****)	ELEC. ASSY, BUCKET	1			228522	
4	(*****)	OPE. ASSY	1				
11	42267241000	BUCKET	1				
12	(*****)	BUCKET (INNER CASE)	1				
13	(*****)	COVER (BUCKET, FRP, WHITE)	1				
14	(*****)	COVER, BOOM (TOP/FRP, WHITE)	1				
15	42267244000	COVER (CLOTH, WHITE)	1				
16	(*****)	ACCESSORIES (BUCKET INNER MAT)	1				

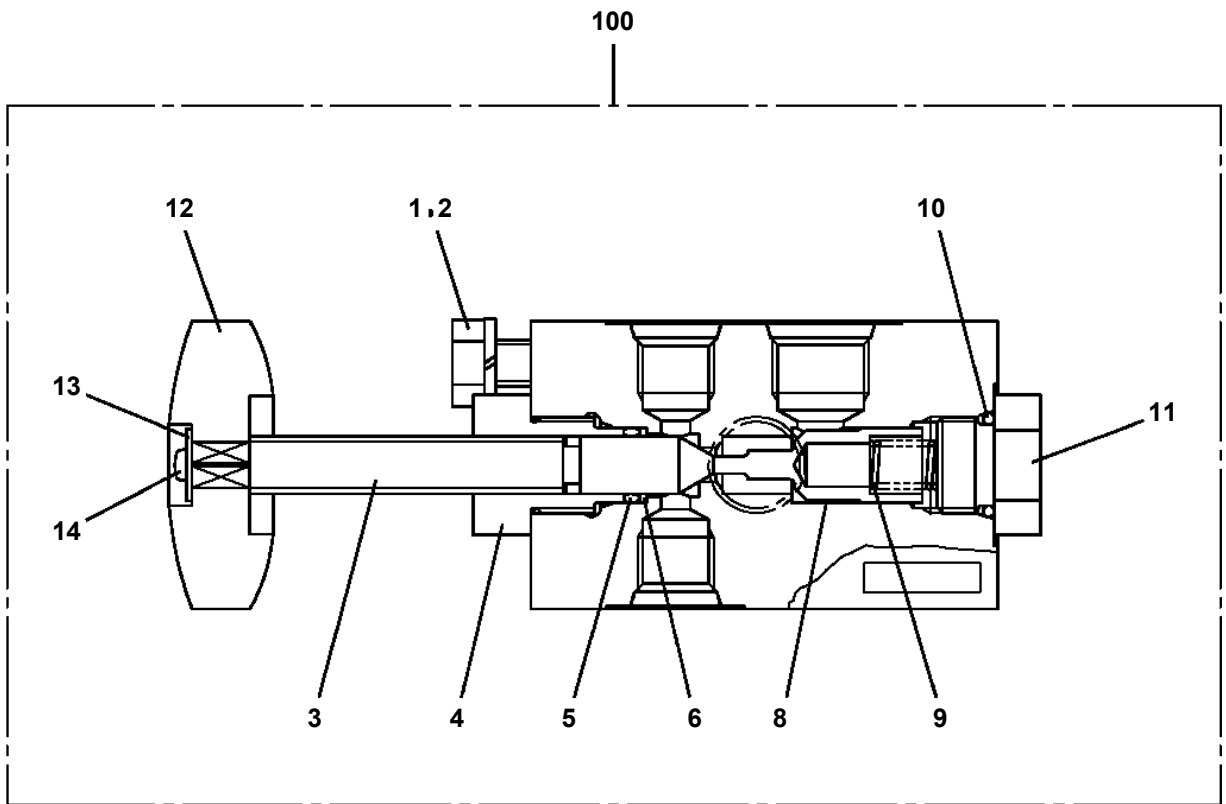
AT-146-3 43011100055 UPPER

Pos No.	Parts No	Parts Name	Qty	Unit	Technical Data	Serial No (Start)	Se
2	(*****)	BOX, TOOL (LEFT/F:2-DECKER,R:1-DECKER)	1				
4	(*****)	MOUNT (RIGHT/F:RACK,R:NONE)	1				
	(*****)	BOX, TOOL (RIGHT/F:RACK,R:1-DECKER)	1			228851	
8	(*****)	BOX, TOOL (BOOM, LEFT SIDE)	1				22
9	(*****)	BOX, TOOL (MOUNT/BOOM UPPER, SIDE)	1				22
21	(*****)	EARTHING DEVICE (8X10M, TOP CLIP)	1				
	(*****)	EARTH ASSY (5X10M. CLIP ON THE END, PORTABLE)	1				
	(*****)	EARTHING DEVICE (8X20M, TOP CLIP)	1				
	(*****)	EARTHING DEVICE	1				

AT-146-3 43011100055 UPPER
PB1100295-00 PUMP, HYDRAULIC

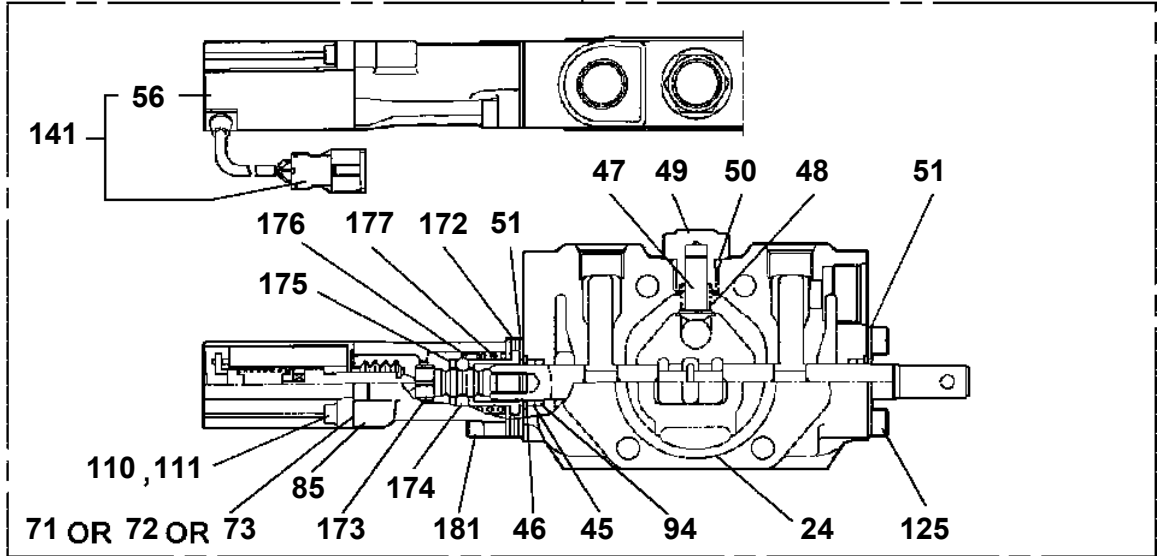


**AT-146-3 43011100055 UPPER
PB1320319-00 VALVE,MANUAL CONTROL**

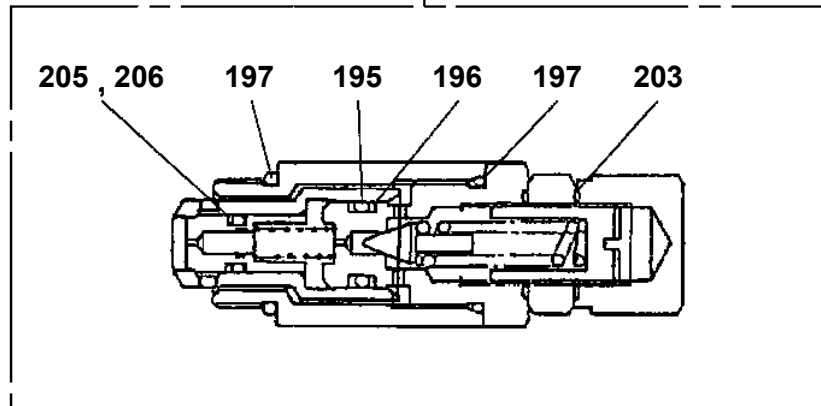


**AT-146-3 43011100055 UPPER
PB1320627-01 VALVE,MANUAL CONTROL**

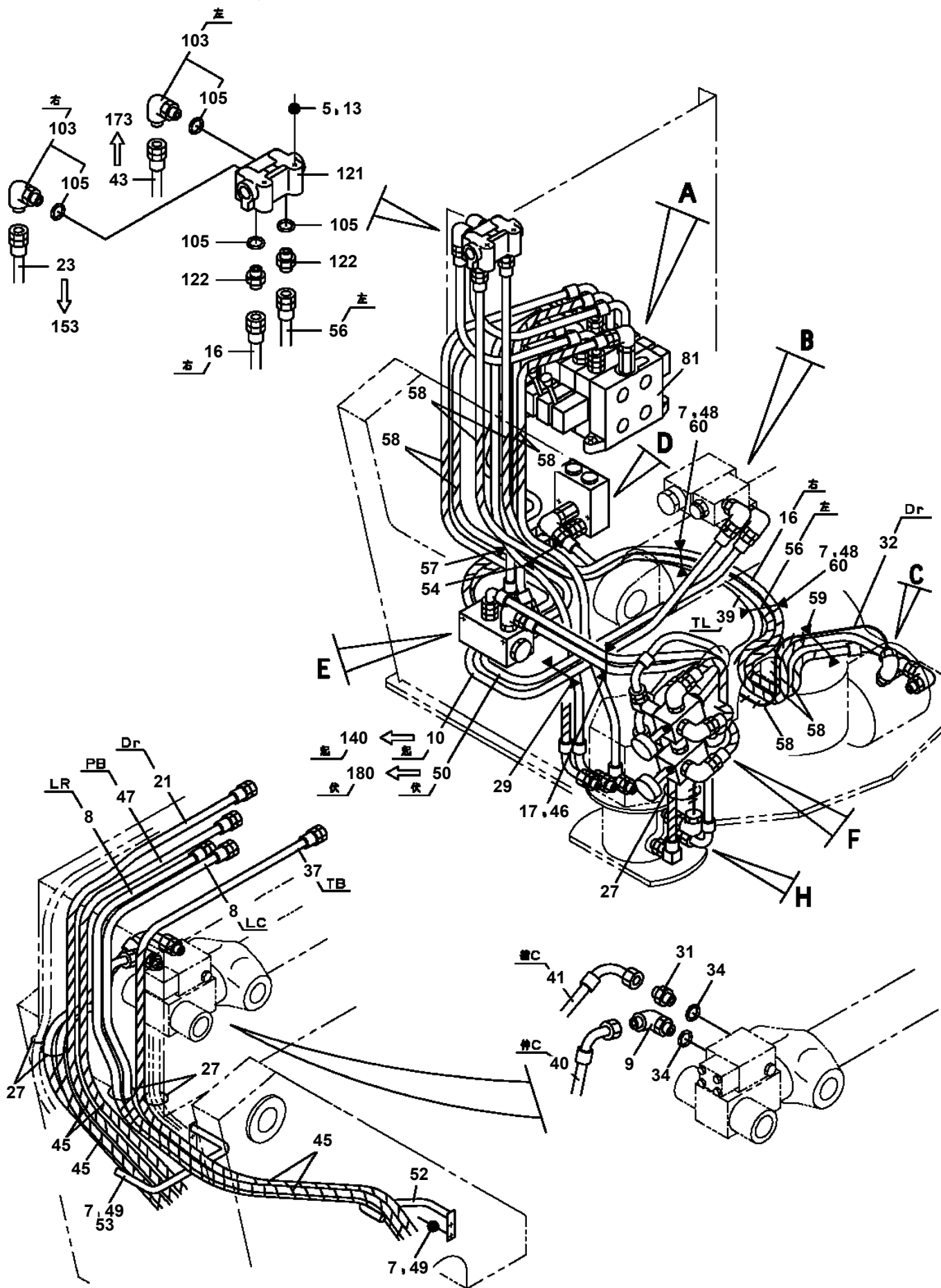
9



10



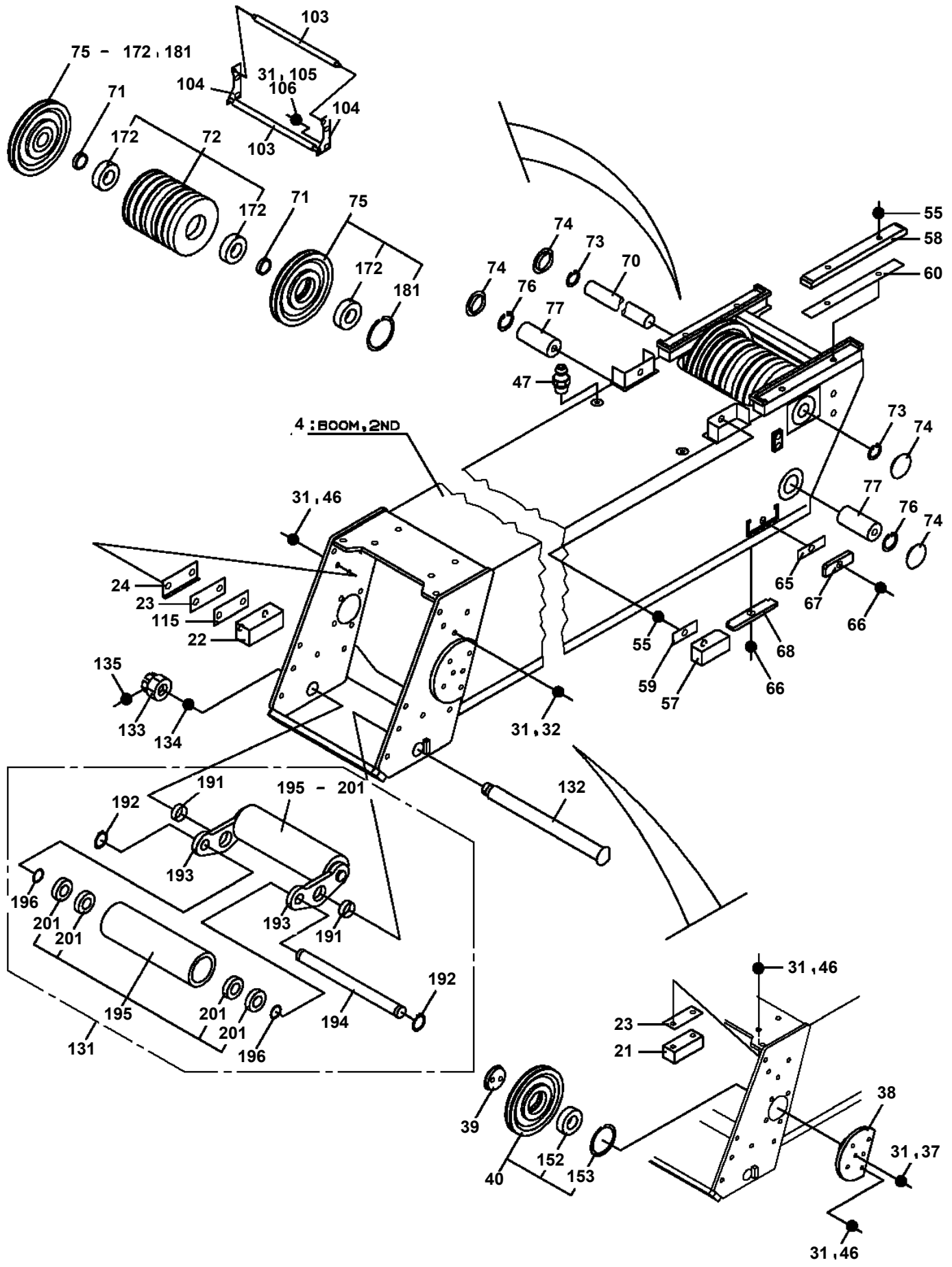
**AT-146-3 43011100055 UPPER
PB1400433-03 PIPING,UPPER**



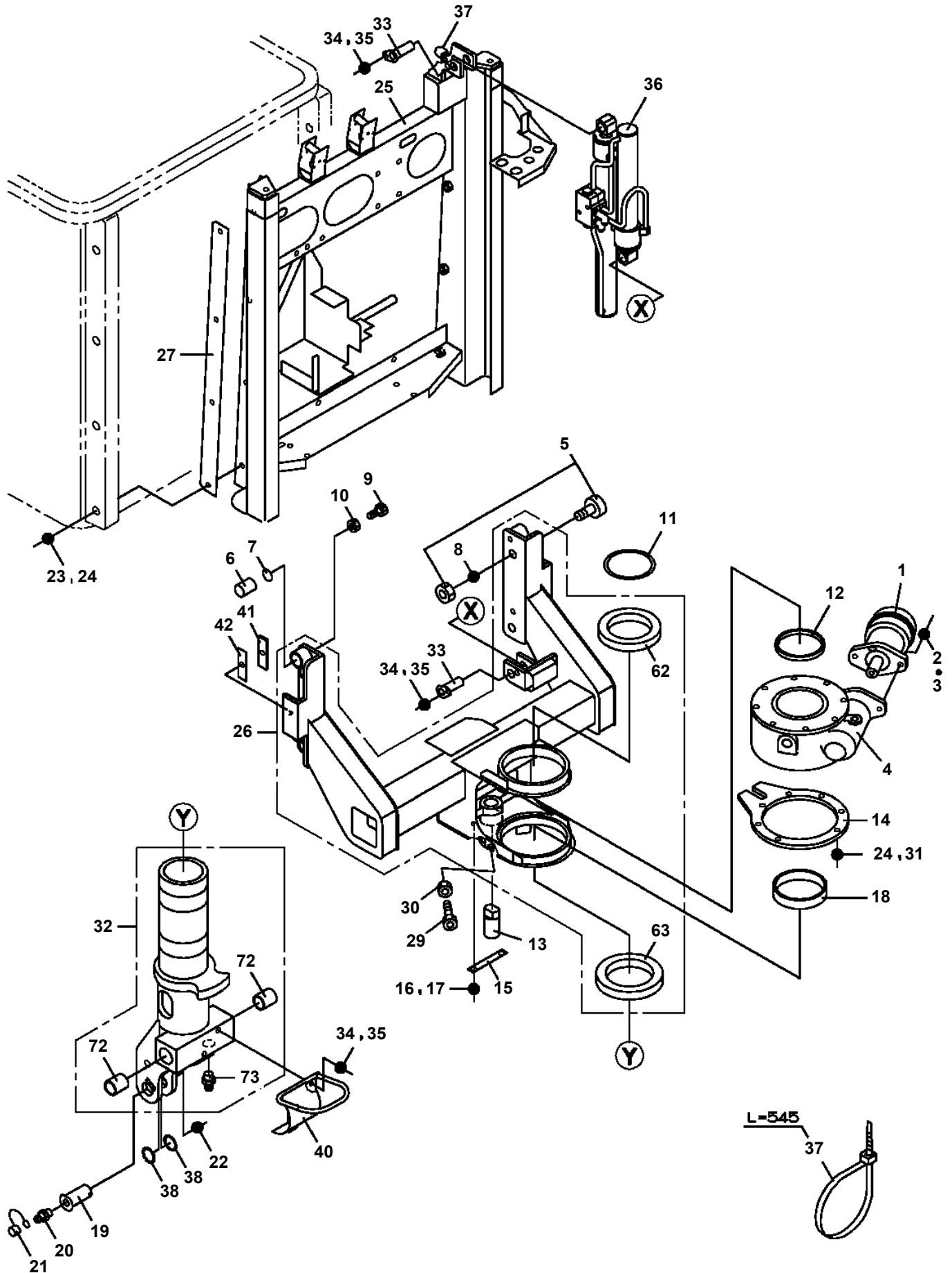
AT-146-3 4301110055 UPPER

Pos No.	Parts No	Parts Name	Qty	Unit	Technical Data	Serial No (Start)	Serial No (End)	Remarks
1	42882263000	SUPPORT	1				228563	
	42882263001	SUPPORT	1			228564		
2	36102590000	TANK,OIL	1					
3	31660360300	BAND	2					
4	90171112025	BOLT	6		M12X25			
5	90302041201	WASHER,SPRING	6		12			
7	90301021001	WASHER	2					
8	90201201000	NUT	4		M10			
9	42882260600	SUPPORT	1					
10	90302040801	WASHER,SPRING	17		8			
11	90303070801	WASHER,PLAIN	12		8			
12	91002802900	O-RING	1		1B P29			
13	36672810001	FILTER,OIL	1					
14	91001204500	O-RING	1		1A G45			
15	42881460100	FITTING,FLANGE	1				228298	
	42881460101	FITTING,FLANGE	1			228299		
16	90101208016	BOLT	11		M8X16		228298	
	90101208016	BOLT	7		M8X16	228299		
17	36673320000	FILTER,OIL	1				229168	
	36673730000	FILTER ASSY	1			229169		
18	42882260501	SUPPORT	1					
19	90302041001	WASHER,SPRING	2		10			
20	90303071001	WASHER,PLAIN	2		10			
21	90101210020	BOLT	2		M10X20			
22	37000913040	JOINT (WITH O-RING)	1		L,G1-G3/4			
23	37000600520	CLAMP	1		R=22			
24	37000587180	PLATE	1				228607	
25	37000542310	PLATE	1					
26	37000587190	PLATE	N		T=3.0			
27	37000587200	PLATE	N		T=1.0			
28	90101208025	BOLT	2		M8X25			
29	80302090281	FITTING	1		KCO22-060N			
30	91002802400	O-RING	1		1B P24			
31	80320010170	FITTING	1		KUD22-040N			
32	80303130281	FITTING,ELBOW	1		KLO22-060E			
33	81408000290	PIPE,STEEL	1	M	22X2.5T			
34	81408000290	PIPE,STEEL	1	M	22X2.5T			
35	31660360400	CUSHION	2					
36	82410124004	INSULATOR	2					
37	42882260701	SUPPORT	1					
38	90101206012	BOLT	4		M6X12			
39	90302040601	WASHER,SPRING	4		6			
40	34471141300	CUSHION	2					
41	90201200800	NUT	4		M8			
42	90101208020	BOLT	4		M8X20	228299		
43	82401800080	PLUG (FOR M8)	2			228419		
51	42882260800	PLATE	1			228608		
61	42882264100	JOINT	1					
62	42643051000	SWITCH ASSY (THERMO)	1					
63	80400160131	JOINT	2					
64	91002801800	O-RING	3		1B P18			
65	80316070080	PLUG	1		PF1/2			
66	80302090281	FITTING	1		KCO22-060N			
67	91002802400	O-RING	2		1B P24			
71	91002802900	O-RING	1		1B P29			

**AT-146-3 43011100055 UPPER
PB5190059-03 BOOM ASSY**

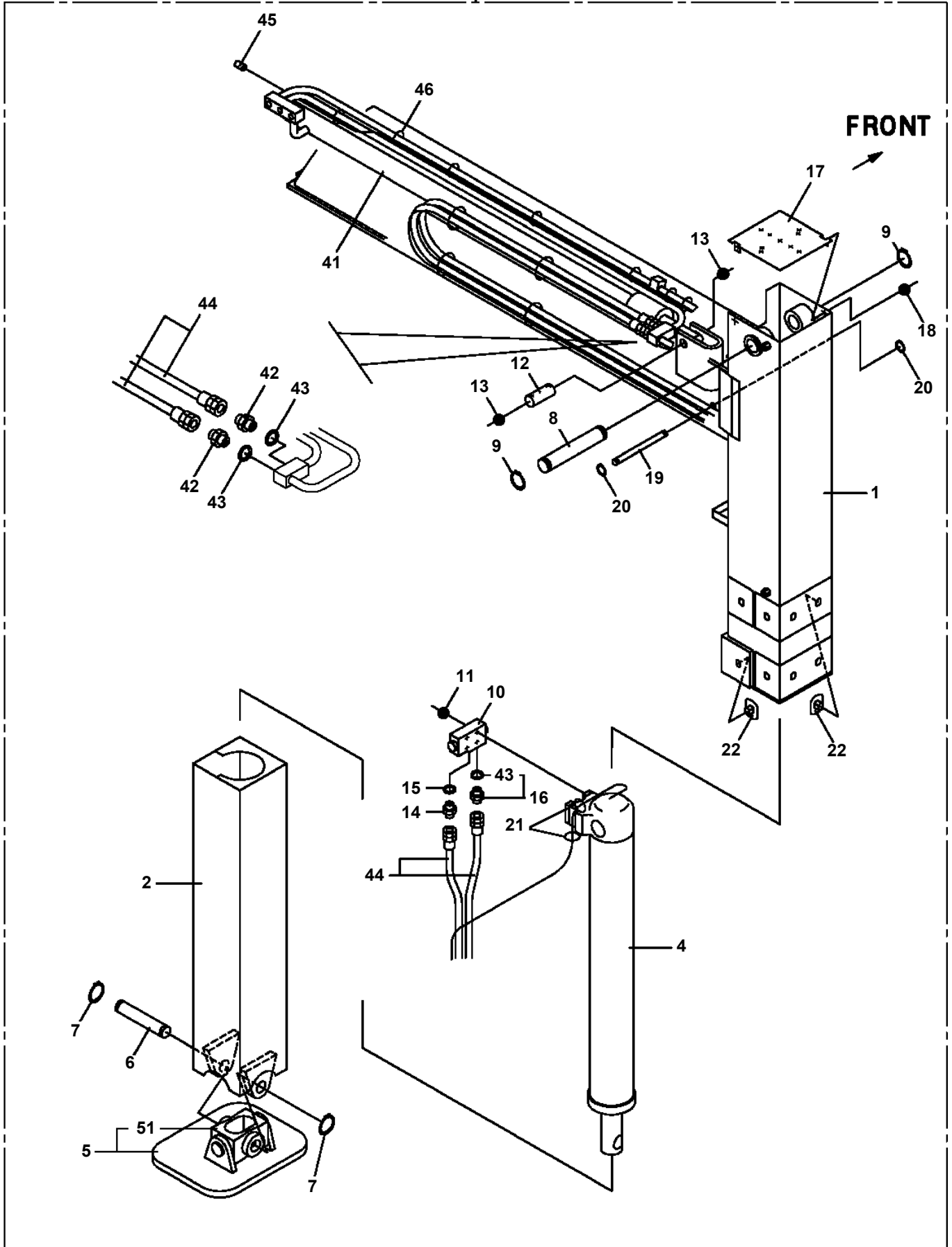


**AT-146-3 43011100055 UPPER
PB5370029-00 BUCKET FRAME ASSY**

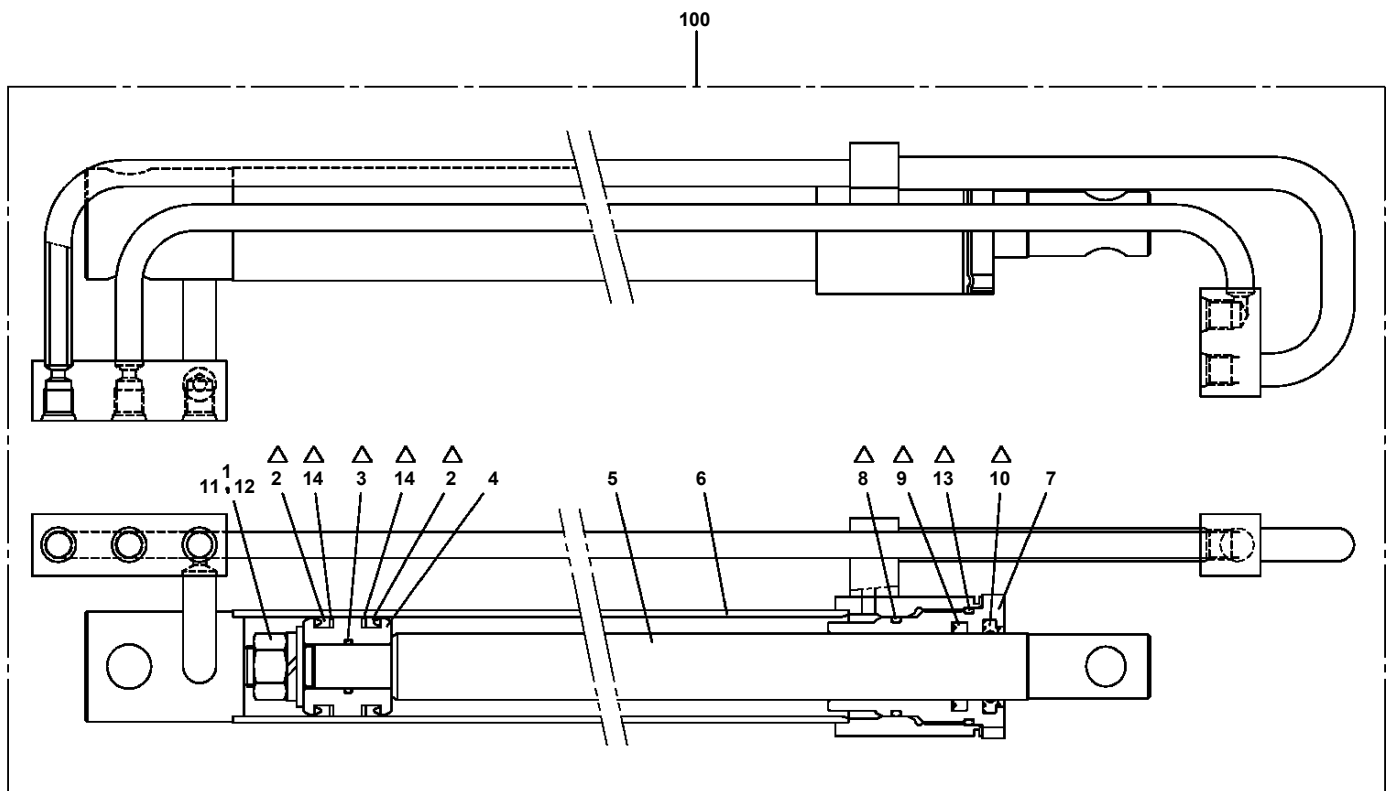


AT-146-3 43011100055 UPPER
PC1011454-00 OUTRIGGER (FRONT, LEFT/INNER CASE)

100

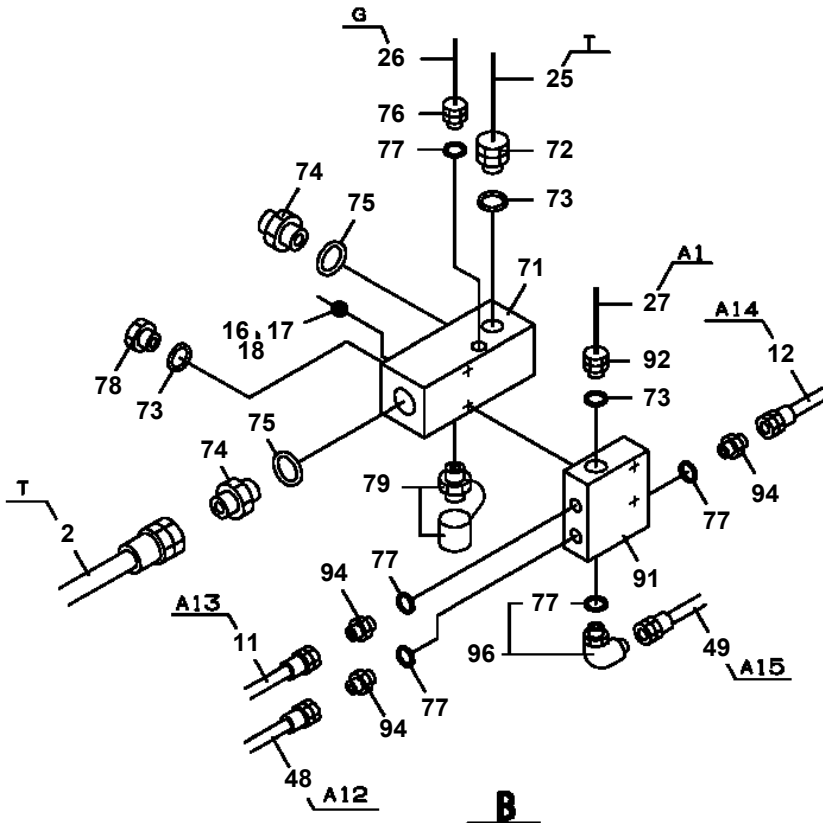
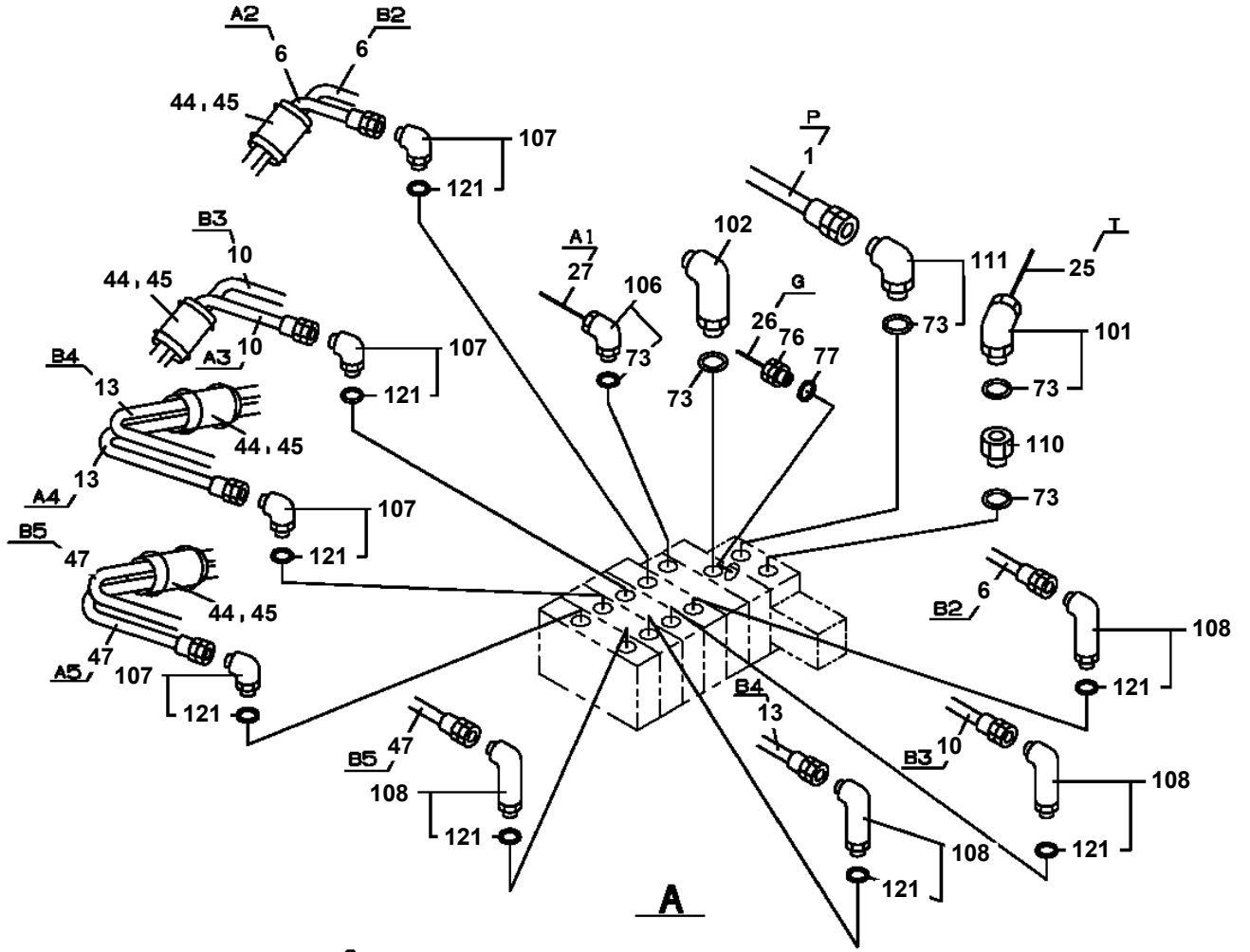


**AT-146-3 43011100055 UPPER
PC1050221-00 CYLINDER,EXTENSION (FRONT)**



Δ:PACKING SET KEY NO.30 (KEY NO.2,3,8,9,10,13,14)

**AT-146-3 43011100055 UPPER
PC1200578-05 PIPING,OUTRIGGER**



AT-146-3 4301110055 UPPER

Pos No.	Parts No	Parts Name	Qty	Unit	Technical Data	Serial No (Start)	Serial No (End)
1	42614463102	CASE,INNER	1				
2	42613351200	CASE,INNER (JACK)	1				
4	36035100000	CYLINDER,JACK	1				
5	42502970200	FLOAT ASSY	1				
6	37000171720	PIN	1				
7	80601110250	RING,RITAINING	2		S25		
8	37000169010	PIN	1		30		
9	80601110300	RING,RITAINING	2		S30		
10	36625740001	VALVE,CHECK	1				
11	901711108055	BOLT	4		M8X55		
12	37000138750	PIN	1		18		
13	80136332036	PIN,SPLIT	2		3.2X36		
14	80400160127	JOINT	1				
15	91002801100	O-RING	1		1B P11		
16	36672460000	FILTER (NIPPLE TYPE)	1				
17	42612851010	COVER	1				
18	90186206014	BOLT,FLANGE	2		M6X14		
19	37000112320	PIN	1				
20	80601110120	RING,RITAINING	2		S12		
21	91810130240	FASTENER	2				
22	31201770100	PLATE,SLIDE	8		T=3.0		
23	90280200600	NUT,FLANGE	1		M6		
24	37000600700	CLAMP	1		12X3		
25	82467300106	PLUG	4				
41	36042810000	CYLINDER,EXTENSION (FRONT)	1				
42	80400160127	JOINT	2				
43	91002801100	O-RING	3		1B P11		
44	37002485300	HOSE	1		L=1805		
45	42612853350	HARNESS	1				228539
	42614053350	HARNESS	1			228540	
46	91810130240	FASTENER	13				
63	42612851420	TRUNNION	1				
100	42614463004	CASE ASSY,INNER (FRONT,RIGHT)	1				

AT-146-3 43011100055 UPPER

Pos No.	Parts No	Parts Name	Qty	Unit	Technical Data	Serial No (Start)	Serial No (End)
1	42972380000	CLAMP HEAD ASSY (YONDENKO/SAFETY HOSE)	1				

AT-146-3 43011100055 UPPER

Pos No.	Parts No	Parts Name	Qty	Unit	Technical Data	Serial No (Start)	Serial No (End)	Remarks
1	42512164200	COVER	1					
2	42512164300	COVER	1					
3	42272361301	COVER	1					
4	90101206016	BOLT	8		M6X16			
5	80172803008	SCREW,MACHINE	16		M3X8			
6	90201500300	NUT	16		M3			
7	90302510301	WASHER,SPRING (SUS 3)	16					
8	82466100702	CATCH	4					
9	80172804012	SCREW,MACHINE	12		M4X12			
10	90201500400	NUT	12		M4			
11	90302510401	WASHER,SPRING	12		4			
12	82464110305	HINGE	2					
13	90302040601	WASHER,SPRING	8		6			
14	90303070601	WASHER,PLAIN	8		6			
15	42512164400	COVER	1					
16	90101208016	BOLT	4		M8X16			
17	90302040801	WASHER,SPRING	4		8			
18	90303070801	WASHER,PLAIN	4		8			
45	82400000309	GROMMET	1		L=1000	229215		
100	42512164100	COVER ASSY	1					

AT-146-3 43011100055 UPPER

Pos No.	Parts No	Parts Name	Qty	Unit	Technical Data	Serial No (Start)	Serial No (End)
2	90302042401	WASHER,SPRING	1		24		
	90302042401	WASHER,SPRING	1		24		
3	90209402400	NUT	1		M24		
	90209402400	NUT	1		M24		
4	36024260020	PISTON	1				228697
	36024260020	PISTON	1				228697
	36028370010	PISTON	1			228698	
5	91350207500	BEARING,PLAIN (WITH PACKINGX2)	1				
	91350207500	BEARING,PLAIN (WITH PACKINGX2)	1				
6	91002802000	O-RING	1		1B P20		
	91002802000	O-RING	1		1B P20		
7	36025139530	ROD ASSY	1				228474
	36025139550	ROD ASSY	1			228475	
	36025139550	ROD ASSY	1			228475	
8	36026159530	COVER,ROD	1				
	36026159530	COVER,ROD	1				
9	80612110400	RING,RITAINING	1		AR40		
	80612110400	RING,RITAINING	1		AR40		
10	91002907000	O-RING	1		1B G70		
	91002907000	O-RING	1		1B G70		
11	80801003525	BEARING,PLAIN	1				
	80801003525	BEARING,PLAIN	1				
12	91694003500	PACKING	1				
	91694003500	PACKING	1				
13	91410203501	RING,BACKUP	1				
	91410203501	RING,BACKUP	1				
14	91660003501	SEAL,DUST	1				
	91660003501	SEAL,DUST	1				
15	82455106000	NIPPLE,GREASE	1		A-M6F FE		
	82455106000	NIPPLE,GREASE	1		A-M6F FE		
16	80541700030	BEARING,SPHERICAL (NTN)	1		SA4-30B		
	80541700030	BEARING,SPHERICAL (NTN)	1		SA4-30B		
17	80820003030	BEARING,PLAIN	2				
	80820003030	BEARING,PLAIN	2				
18	91002907500	O-RING	1		1B G75		
	91002907500	O-RING	1		1B G75		
19	90303072401	WASHER,PLAIN	1		24	228698	
30	36028239510	CYLINDER ASSY	1				228446
	36028239511	CYLINDER ASSY	1			228447	
	36028239511	CYLINDER ASSY	1			228447	
50	36026489900	PACKING SET	1		35X75		
	36026489900	PACKING SET	1		35X75		
101	36028230000	CYLINDER ASSY,LEVELING (UPPER)	1				
	36028230000	CYLINDER ASSY,LEVELING (UPPER)	1				

AT-146-3 43011100055 UPPER

Pos No.	Parts No	Parts Name	Qty	Unit	Technical Data	Serial No (Start)	Serial No (End)
2	36081560000	REDUCER,SWING SPEED	1				
3	90171118070	BOLT (DACRO)	3		M18X70		
4	90303501805	WASHER,PLAIN	6		18		
5	90201781800	NUT (DACRO)	3		M18		
6	90171212035	BOLT (DACRO)	2		M12X35	228594	228593
	90174112035	BOLT	2		M12X35		
7	90710012400	SCREW,SET	2		M12X40		
8	90203201200	NUT	4		M12		
9	90172112035	BOLT,HEXAGON SOCKET	2		M12X35		
10	90302041201	WASHER,SPRING	2		12		
11	36662590000	MOTOR,HYDRAULIC (SWING)	1			228452	228451
	36664070000	MOTOR,OIL	1				
12	91002908500	O-RING	1		1B G85		
31	37002302450	BEARING,SWING (NSK)	1				
32	37002304750	BEARING,SWING (KOYO)	1				
	37002303560	BEARING,SWING (NIHON MONORACE)	1				
41	37002399010	SEAL (UP,DOWN-SIDE SET)	1				
42	82456201000	NIPPLE,GREASE	6		A-TYPE PT1/8		

AT-146-3 43011100055 UPPER

Pos No.	Parts No	Parts Name	Qty	Unit	Technical Data	Serial No (Start)	Serial No (End)	Remarks
2	42972700100	SUPPORT	1					
3	42972700200	SUPPORT	1				228632	
4	90303070801	WASHER,PLAIN	5		8			
5	42739710200	EARTH	1					
6	42970690400	SUPPORT	1					
7	90101210020	BOLT	8		M10X20			
8	90302041001	WASHER,SPRING	8		10			
9	90101208020	BOLT	4		M8X20		228995	
	90101208020	BOLT	5		M8X20	228996		
10	90302040801	WASHER,SPRING	4		8			
11	90303071001	WASHER,PLAIN	8		10			
12	42972700300	PIN ASSY	1					
13	42972700400	PIN	1					
14	90258300800	NUT,WING	1		M8			
23	42972700201	SUPPORT	1			228633		
31	36160650000	REEL,CORD	1					
32	37002702730	CABLE ASSY	1		8X10000			
33	82198103050	CLIP (WITH CAP/BLACK)	1					
34	90201200500	NUT	1		M5		228890	
	90201200500	NUT	2		M5	228891		
35	90302040501	WASHER,SPRING	1		5		228890	
	90302040501	WASHER,SPRING	2		5	228891		
36	90303070501	WASHER,PLAIN	1		5		228890	
	90303070501	WASHER,PLAIN	2		5	228891		
37	42972701100	SUPPORT	1					
38	90101208012	BOLT	2		M8X12			
39	90302040801	WASHER,SPRING	2		8			
40	42972701500	CABLE	1		L=1000			
41	42698150300	INSULATOR	4					
42	80172304010	SCREW,MACHINE	4		M4X10		228890	
	80172304010	SCREW,MACHINE	5		M4X10	228891		
43	90302040401	WASHER,SPRING	4		4		228890	
	90302040401	WASHER,SPRING	5		4	228891		
44	90303070401	WASHER,PLAIN	4		4		228890	
	90303070401	WASHER,PLAIN	5		4	228891		
45	90201200400	NUT	1		M4	228891		
46	80173305010	SCREW,MACHINE	1			228891		

AT-146-3 43011100055 UPPER

Pos No.	Parts No	Parts Name	Qty	Unit	Technical Data	Serial No (Start)	Serial No (End)
1	42936321000	SWITCH ASSY	1				
2	42936320100	HARNESS	1				
3	31341290200	GROMMET	1				
4	82100002008	CLAMP	5		WR12		
5	82114102010	CONNECTOR (1P FEMALE,HOUSING)	3				
7	90201200600	NUT	8		M6		
8	90302040601	WASHER,SPRING	8		6		
9	90303070601	WASHER,PLAIN	8		6		
10	82401601002	CLAMP	5			228463	
11	91810130240	FASTENER	30				
12	82161202010	RELAY	1				
13	82100002035	CLAMP	3		WE8		
14	42936320200	HARNESS	1				

AT-146-3 4301110055 UPPER

Pos No.	Parts No	Parts Name	Qty	Unit	Technical Data	Serial No (Start)	Serial No
1	91810132530	FASTENER	30				
2	42356370021	HARNESS	1				
3	42433890010	PLUG (16 POLES,MALE)	1				
4	42350980010	PLUG (6POLES,FEMALE)	1				
5	42350250150	PLUG (6 POLES,MALE)	1				
6	42503390200	LAMP ASSY (DC12V RED)	3				
7	42356370013	HARNESS	1				228576
	42356370014	HARNESS	1			228577	
8	42357161000	TRANSMITTER,SIGNAL	1				
9	80181306010	SCREW,MACHINE	4		M6X10		
10	90302040601	WASHER,SPRING	4		6		
11	42357160400	BUZZER ASSY	1				
12	80171304014	SCREW,MACHINE	2		M4X14		
13	90303070401	WASHER,PLAIN	2		4		
15	42736991030	DIODE (WITH CONNECTOR)	1				
16	42356370600	SUPPORT	1				
17	90813108012	BOLT,WING	1		M8X12 A		
18	90303070801	WASHER,PLAIN	1		8		
19	42356240500	COVER	1				
20	90201200400	NUT	2		M4		
21	42356370200	SUPPORT	1				
22	90186206010	BOLT,FLANGE	4		M6X10		
23	82104501250	SWITCH,LIMIT (2 PCS/SET,WITH HARNESS)	2				
24	42356370500	SUPPORT	1				
25	(***** *****)	SWITCH ASSY	1				
26	42356800100	HARNESS	1				
27	90302040401	WASHER,SPRING	2		4		
51	82151401224	BATTERY (FURUKAWA/12M24B)	1				
	82100001973	BATTERY (HITACHI)	1			228686	
52	42350200310	HARNESS	1				
53	82100001261	CAP	1				

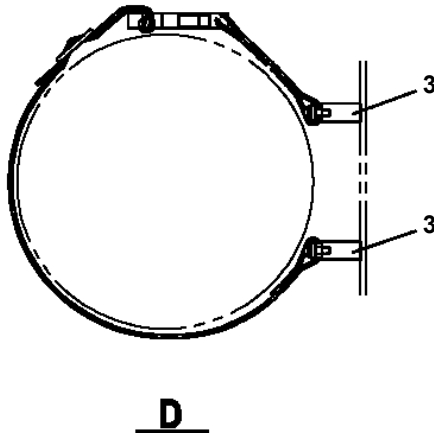
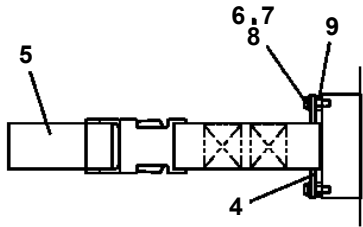
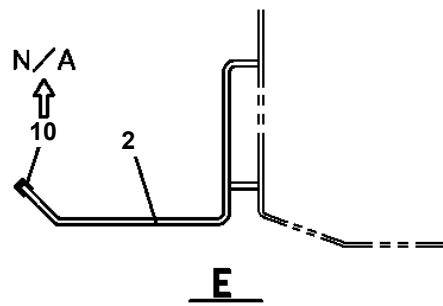
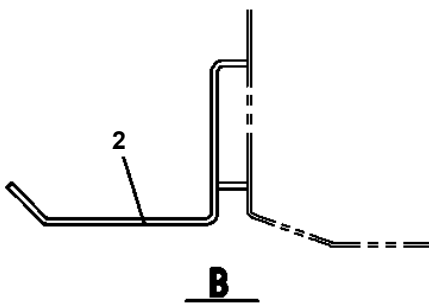
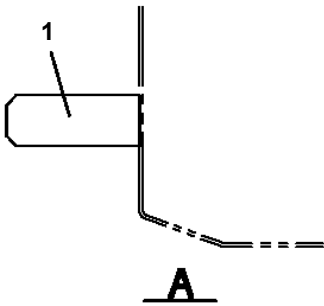
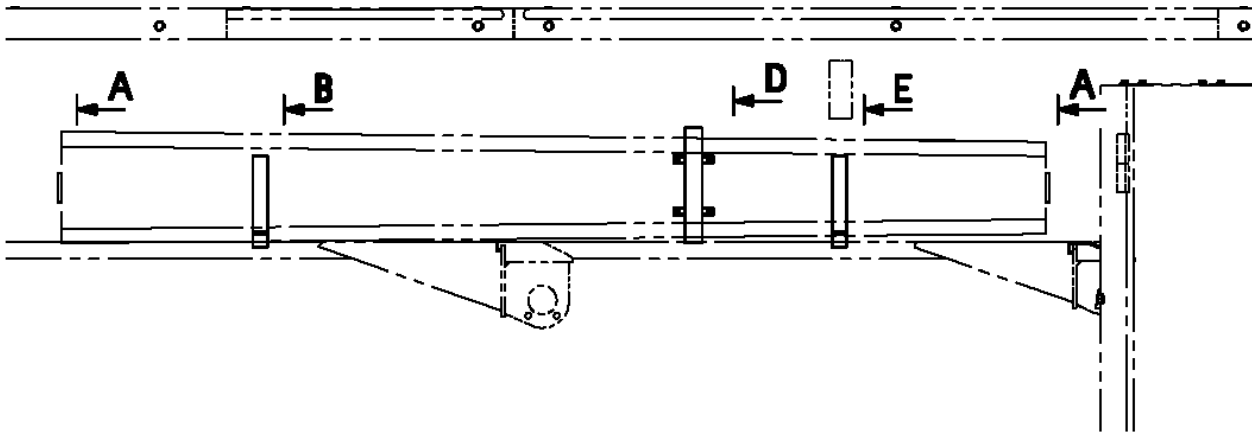
AT-146-3 4301110055 UPPER

Pos No.	Parts No	Parts Name	Qty	Unit	Technical Data	Serial No (Start)	Serial No (End)	Remarks
1	42356380102	HARNESS	1				228763	
2	42354740200	SWITCH ASSY	1					
3	82100002597	RELAY	1				229233	
	34354781730	RELAY	1			229234		
4	80192486010	SCREW,MACHINE	7		M6X10		229233	
	80192486010	SCREW,MACHINE	4		M6X10	229234		
5	80192484016	SCREW,MACHINE	6		M4X16			
6	91850400601	CLAMP	5					
7	91810132530	FASTENER	20					
8	90201200800	NUT	1		M8			
9	90302040801	WASHER,SPRING	1		8			
10	90303070801	WASHER,PLAIN	1		8			
11	82127020180	TUBE,SPIRAL	1	M				
12	82100002017	CLAMP	1		WR30			
13	90280200600	NUT,FLANGE	2		M6			
14	82100001801	TUBE,CORRUGATE	2	M	7			
16	82100002014	CLAMP	1		WR20			
17	82100001807	TUBE,CORRUGATE	1	M	28			
18	42350250070	PLUG (2 POLES,MALE)	1					
19	82161201010	RELAY	2				229233	
	34354781740	RELAY	2			229234		
20	82100001819	TUBE,SPIRAL	1	M	SE-18BK			
21	42352190100	RESISTANCE	1					
22	80172303012	SCREW,MACHINE	2		M3X12			
23	90302040301	WASHER,SPRING	2		3			
24	90303070301	WASHER,PLAIN	2		3			
25	42470201060	PLATE	1					
26	90201200600	NUT	1		M6			
27	90302040601	WASHER,SPRING	1		6		229031	
	90302040601	WASHER,SPRING	2		6	229032		
28	82100002005	CLAMP	1		WRC8			
29	82100002010	CLAMP	1		WR15			
30	42356380200	HARNESS	1			228764	229288	
31	90101206010	BOLT	1		M6X1.0	229032		
32	82100002004	CLAMP	1		WR8	229032		
33	80197586012	SCREW,MACHINE	3		M6X12	229234		
41	42357100101	HARNESS	1			228764	228989	
	42357100102	HARNESS	1			228990	229288	
42	42356380300	HARNESS	1			229289		
45	82100002308	COVER	1					
51	42356091000	CONVERTER (ASSY ONLY)	1				228763	
	42356381000	CONVERTER	1			228764	229507	
52	42353383100	COVER	1					
53	80172305012	SCREW,MACHINE	4		M5X12			
54	90201200500	NUT	4		M5			
55	90302040501	WASHER,SPRING	4		5			
56	90303070501	WASHER,PLAIN	4		5			
81	42352457510	KEY	1					

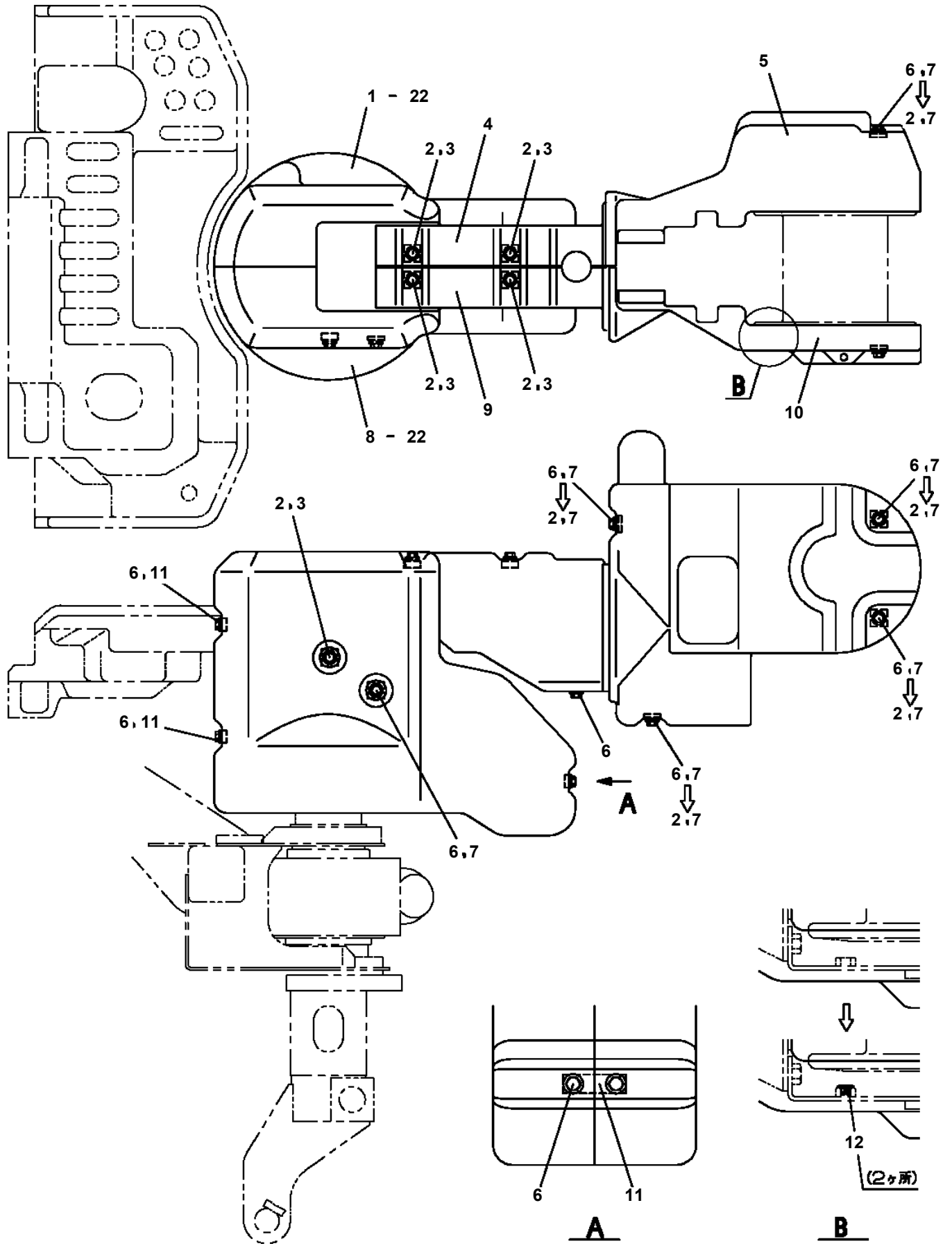
AT-146-3 43011100055 UPPER

Pos No.	Parts No	Parts Name	Qty	Unit	Technical Data	Serial No (Start)	Serial No (End)	Remarks
128	36072495350	THROTTLE	2					
	36072495350	THROTTLE	2					
	36072495350	THROTTLE	2					
129	36661055400	PLUG	1					
	36661055400	PLUG	1					
	36661055400	PLUG	1					
130	36661055410	VALVE	1					
	36661055410	VALVE	1					
	36661055410	VALVE	1					
131	36661055420	SPRING	1					
	36661055420	SPRING	1					
	36661055420	SPRING	1					
132	36661055440	SEAL,OIL	1		15Z-17X35X8			
	36661055440	SEAL,OIL	1		15Z-17X35X8			
	36661055440	SEAL,OIL	1		15Z-17X35X8			
133	36663495450	BEARING,BALL	1					
	36663495450	BEARING,BALL	1					
	36663495450	BEARING,BALL	1					
134	36072495390	BEARING,BALL	1					
	36072495390	BEARING,BALL	1					
	36072495390	BEARING,BALL	1					
135	36072495400	PIN (STRAIGHT)	2		5X12			
	36072495400	PIN (STRAIGHT)	2		5X12			
	36072495400	PIN (STRAIGHT)	2		5X12			
136	80730080020	PIN (STRAIGHT)	2		8X20			
	80730080020	PIN (STRAIGHT)	2		8X20			
	80730080020	PIN (STRAIGHT)	2		8X20			
137	36073825120	ROLLER,NEEDLE	3					
	36073825120	ROLLER,NEEDLE	3					
	36073825120	ROLLER,NEEDLE	3					
138	36072495370	RING,RETAINING	1					
	36072495370	RING,RETAINING	1					
	36072495370	RING,RETAINING	1					
139	90131908025	BOLT,HEXAGON SOCKET	6		M8X25			
	90131908025	BOLT,HEXAGON SOCKET	6		M8X25			
	90131908025	BOLT,HEXAGON SOCKET	6		M8X25			
143	36661055450	RING,RETAINING	1					
	36661055450	RING,RETAINING	1					
	36661055450	RING,RETAINING	1					
300	36073825010	REDUCER ASSY	1					
	36073825010	REDUCER ASSY	1					
	36073825010	REDUCER ASSY	1					
310	36073825020	SPINDLE KIT	1					
	36073825020	SPINDLE KIT	1					
	36073825020	SPINDLE KIT	1					
320	36072495030	GEAR ASSY (RV)	1					
	36072495030	GEAR ASSY (RV)	1					
	36072495030	GEAR ASSY (RV)	1					
330	36072495070	GEAR,SPUR (2PIECES)	1					
	36072495070	GEAR,SPUR (2PIECES)	1					
	36072495070	GEAR,SPUR (2PIECES)	1					
400	36073825070	MOTOR ASSY	1					
	36073825070	MOTOR ASSY	1					
	36073825070	MOTOR ASSY	1					
410	36073825080	FLANGE SET(REAR)	1					
	36073825080	FLANGE SET(REAR)	1					
	36073825080	FLANGE SET(REAR)	1					
420	36072495250	PISTON KIT	1					
	36072495250	PISTON KIT	1					
	36072495250	PISTON KIT	1					
490	36073825130	SEAL KIT	1					
	36073825130	SEAL KIT	1					
	36073825130	SEAL KIT	1					

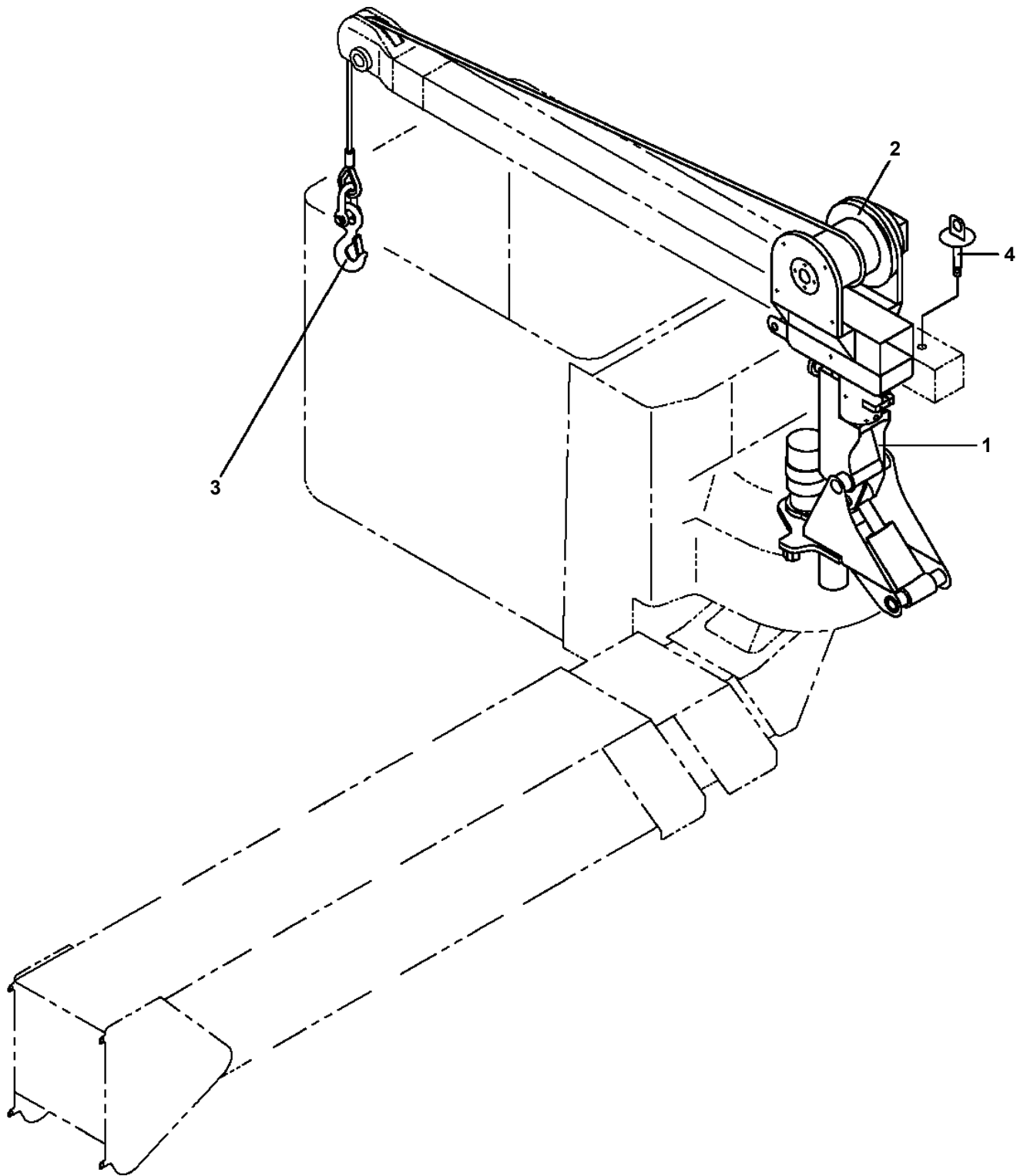
AT-146-3 43011100055 UPPER
PF1080210-01 SUPPORT



**AT-146-3 43011100055 UPPER
PF1350141-02 WINCH, JIB (JUK:COVER, FRP, WHITE)**



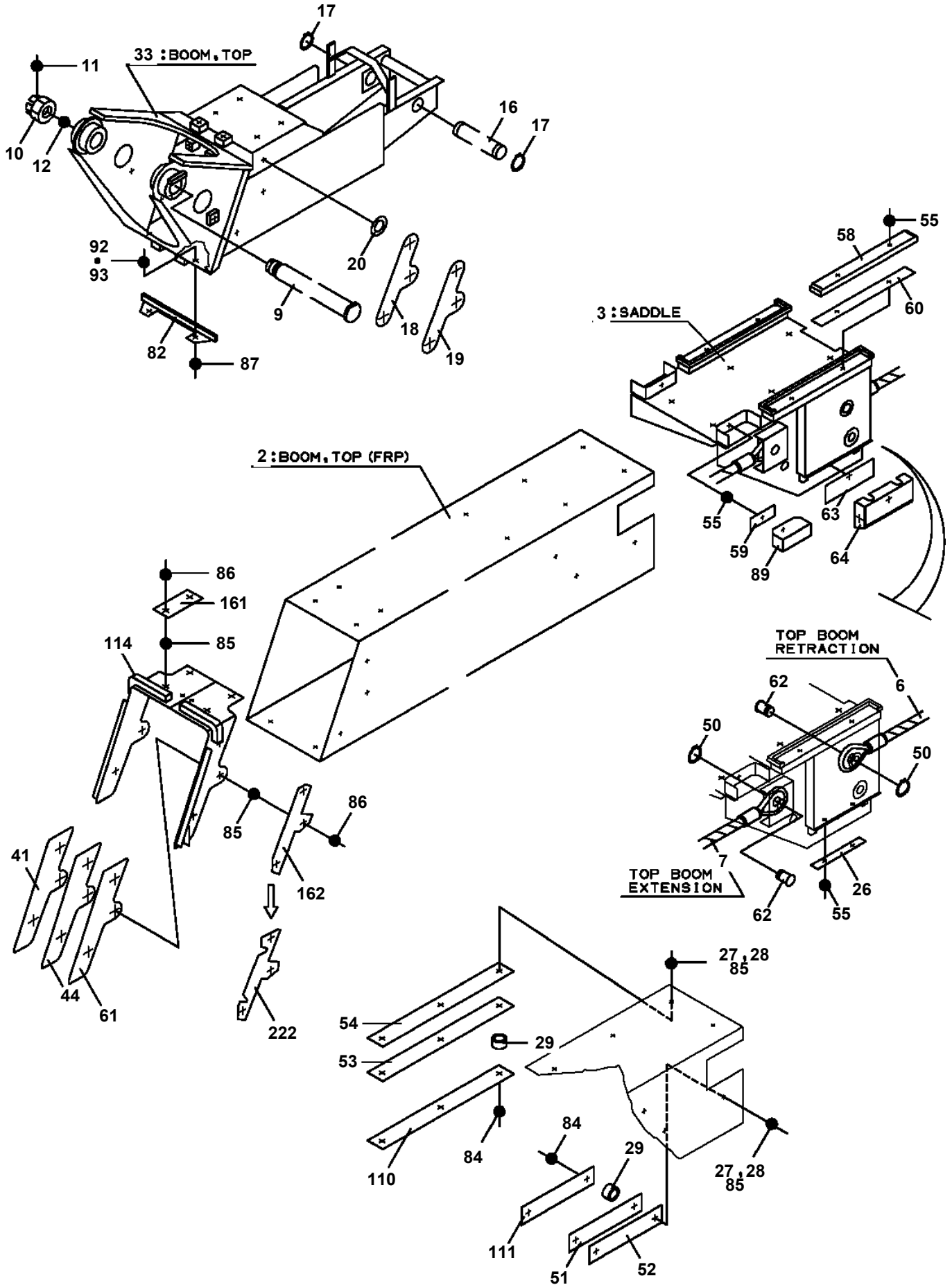
**AT-146-3 43011100055 UPPER
PF1350169-00 WINCH,JIB (WITH SWIVEL FUNCTION)**



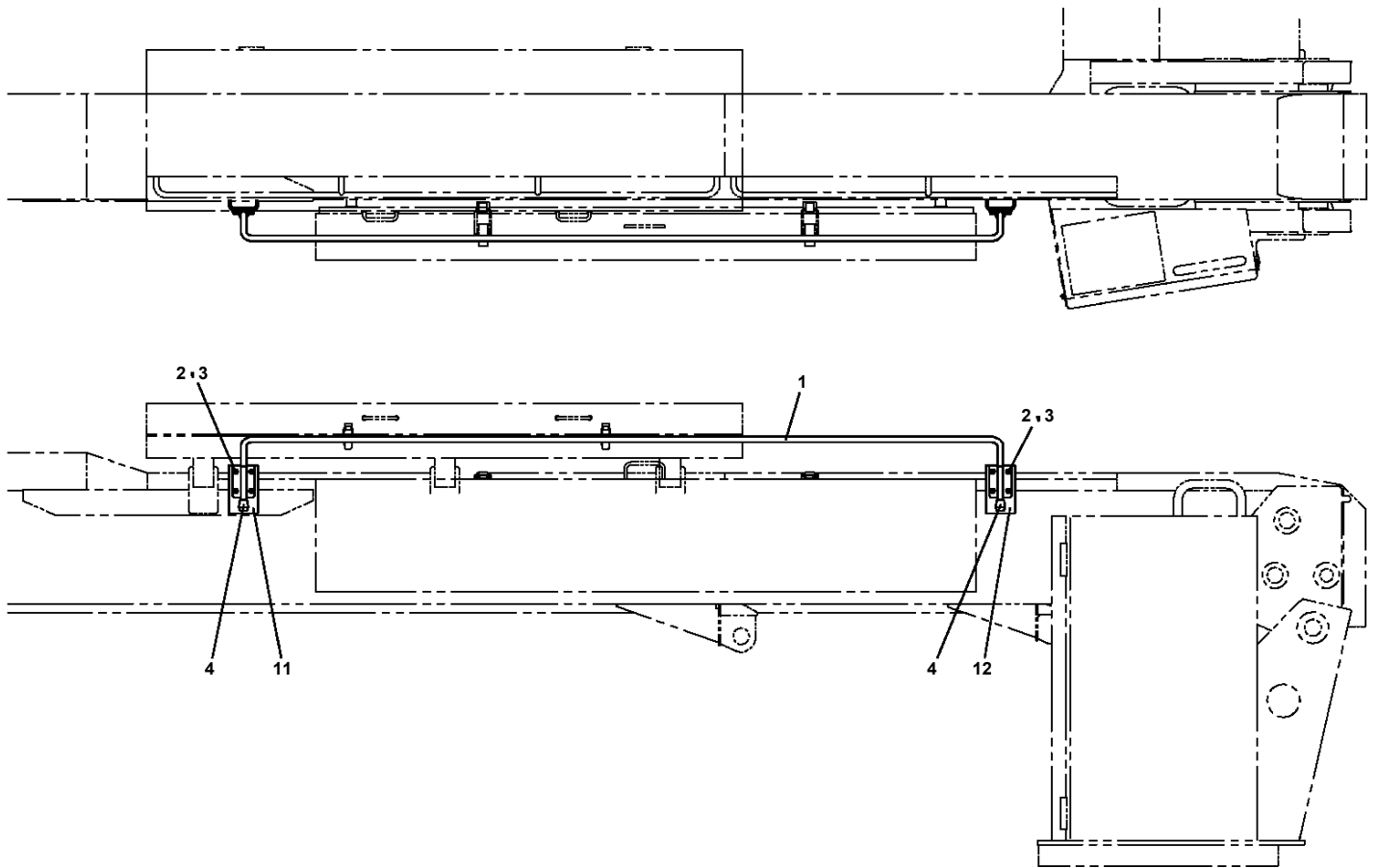
AT-146-3 43011100055 UPPER

Pos No.	Parts No	Parts Name	Qty	Unit	Technical Data	Serial No (Start)	Serial No (End)	Remarks	Pages
1	36072490000	WINCH	1				228327		000089
	36073820000	WINCH	1			228328			000090
2	42311623100	SUPPORT	1						
3	42311623200	SUPPORT	1						
4	42310951010	JOINT	1		S,R1/8-10		228354		
	42310951020	JOINT	1			228355			
5	80320030050	FITTING,ELBOW	1		KLE10-020N				
6	42310951300	PIN	1						
7	37002600400	WEDGE	1						
8	90101212018	BOLT	6		M12X18				
9	90302041201	WASHER,SPRING	6		12				
10	90101210016	BOLT	4		M10X16				
11	90302041001	WASHER,SPRING	4		10				
12	90101208020	BOLT	4		M8X20				
13	90302040801	WASHER,SPRING	8		8				
14	80400160128	JOINT	2		S,G3/8-G1/4				
15	91002801400	O-RING	2		1B P14				
16	42311623300	SUPPORT	1						
17	90171108020	BOLT	4		M8X20				

**AT-146-3 43011100055 UPPER
PG1011043-02 BOOM**



**AT-146-3 43011100055 UPPER
PG1090002-00 GUIDE (BOOM SIDE HOOK GUIDE RAIL/D17.3XT2.3)**



AT-146-3 43011100055 UPPER

Pos No.	Parts No	Parts Name	Qty	Unit	Technical Data	Serial No (Start)	Serial No (End)	Remarks	Pages
1	42443241000	SUPPORT ASSY	1						
3	90101210022	BOLT	4		M10X22				
4	90302041001	WASHER,SPRING	4		10				
5	90303071001	WASHER,PLAIN	2		10				
6	42443243002	SUPPORT ASSY	1						000295
7	37000562510	PLATE	2		T=0.5				
31	42443241100	SUPPORT	1						
32	82400000393	INSULATOR	1						
33	80172804014	SCREW,MACHINE	1		M4X14				
34	90302510401	WASHER,SPRING	1		4				
35	90303520401	WASHER,PLAIN	1		4				

AT-146-3 43011100055 UPPER

Pos No.	Parts No	Parts Name	Qty	Unit	Technical Data	Serial No (Start)	Serial No (End)	Remarks	Pages
1	42512161010	SUPPORT	3						
2	42512161100	SUPPORT	1						
3	90171108020	BOLT	15		M8X20				
4	90302040801	WASHER,SPRING	55		8				
5	90303070801	WASHER,PLAIN	55		8				
6	42512161200	SUPPORT	1						
7	42512161300	SUPPORT	1						
8	42512161030	PLATE	20						
9	42512161040	PLATE	40						
10	42512161050	PLATE	60						
11	90171108030	BOLT	40		M8X30				
12	90201780800	NUT	32		M8				
13	42512161400	SUPPORT	2						
14	42512161020	PLATE	4						
15	80720105012	PIN,SPRING	4		5X12				
16	42512161500	SUPPORT	2						
17	42512161600	SUPPORT	1						
18	42512161700	SUPPORT	1						
19	42512161800	SUPPORT	1						
20	42512161900	SUPPORT	1						
21	42512162100	SUPPORT	4						
22	42512371100	SUPPORT	1						
23	42512371010	SUPPORT	1						
24	42512371200	SUPPORT	1						
25	42512371300	SUPPORT	1						
26	42512162200	COVER	1						

AT-146-3 43011100055 UPPER

Pos No.	Parts No	Parts Name	Qty	Unit	Technical Data	Serial No (Start)	Serial No (End)	Remarks	Pages
1	42739941100	VIEW SYSTEM	1						000127
2	91810130240	FASTENER	10						

AT-146-3 43011100055 UPPER

Pos No.	Parts No	Parts Name	Qty	Unit	Technical Data	Serial No (Start)	Serial No (End)	Remarks	I
1	(*****)	VIEW SYSTEM (MONITOR)	1						0
2	(*****)	VIEW SYSTEM (CAMERA)	1						0

AT-146-3 43011100055 UPPER

Pos No.	Parts No	Parts Name	Qty	Unit	Technical Data	Serial No (Start)	Serial No (End)	Remarks
2	42739697510	CABLE ASSY	1					
3	42739697540	CABLE ASSY	1					
4	42739697520	CLIP	1					
5	42739697530	REMOTE CONTROL ASSY	1					
100	42739693110	DISPLAY	1					

AT-146-3 43011100055 UPPER

Pos No.	Parts No	Parts Name	Qty	Unit	Technical Data	Serial No (Start)	Serial No (End)	Remarks	Pages
10	42900000101	HARNESS	1						

AT-146-3 43011100055 UPPER

Pos No.	Parts No	Parts Name	Qty	Unit	Technical Data	Serial No (Start)	Serial No (End)	Remarks	Pages
100	42357100101	HARNESS	1						

AT-146-3 43011100055 UPPER

Pos No.	Parts No	Parts Name	Qty	Unit	Technical Data	Serial No (Start)	Serial No (End)	Remarks	Pages
100	42653720201	HARNESS	1						

AT-146-3 43011100055 UPPER

Pos No.	Parts No	Parts Name	Qty	Unit	Technical Data	Serial No (Start)	Serial No (End)	Remarks	Pages
100	42614053350	HARNESS	1						

AT-146-3 43011100055 UPPER

Pos No.	Parts No	Parts Name	Qty	Unit	Technical Data	Serial No (Start)	Serial No (End)	Remarks	Pages
100	42504471100	HARNESS	1						

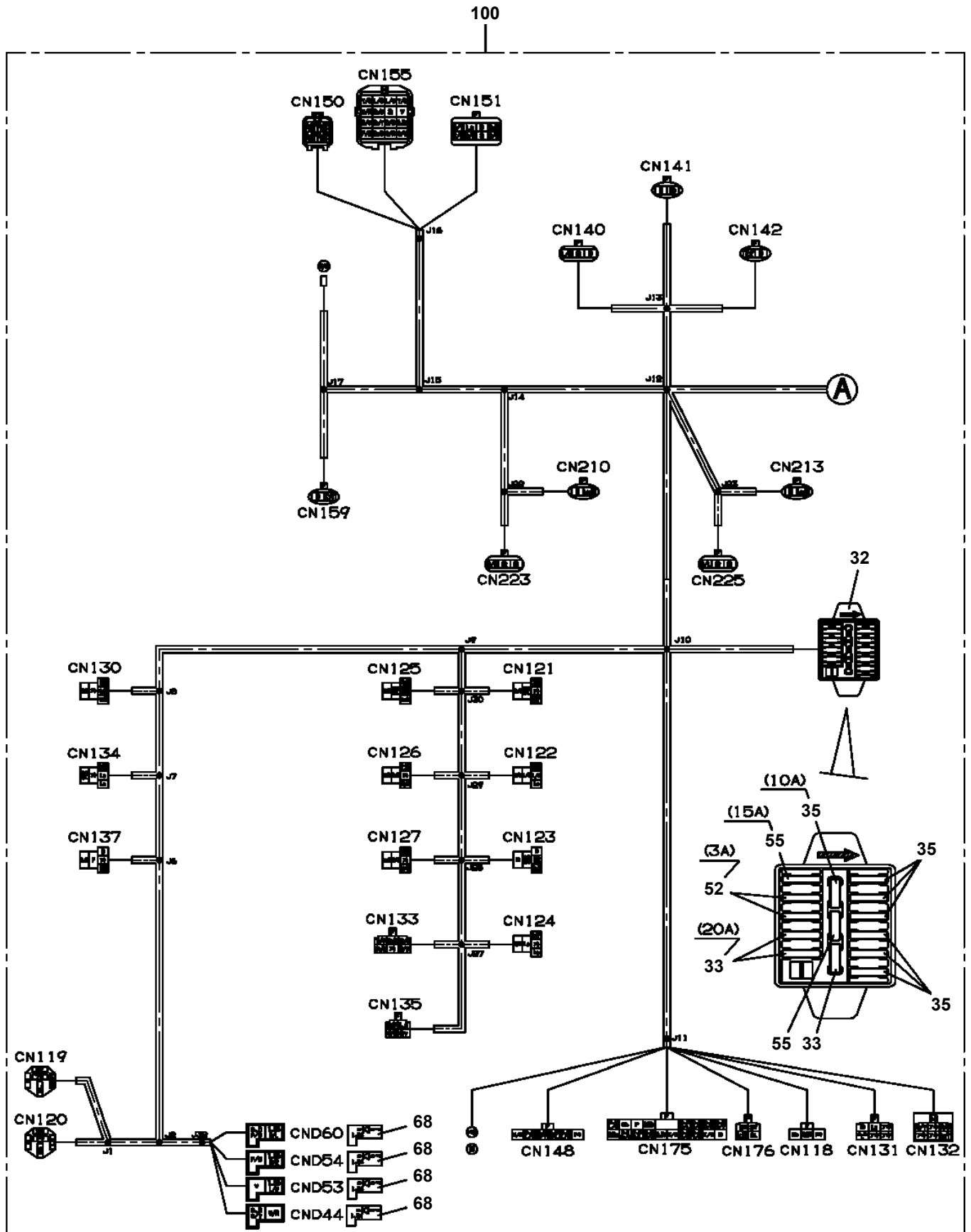
AT-146-3 43011100055 UPPER

Pos No.	Parts No	Parts Name	Qty	Unit	Technical Data	Serial No (Start)	Serial No (End)	Remarks	Pages
100	42612853350	HARNESS	1						

AT-146-3 43011100055 UPPER

Pos No.	Parts No	Parts Name	Qty	Unit	Technical Data	Serial No (Start)	Serial No (End)	Remarks	Pages
100	42504641200	HARNESS	1						

**AT-146-3 43011100055 UPPER
PH5033350-00 HARNESS (MAIN)**



AT-146-3 43011100055 UPPER

Pos No.	Parts No	Parts Name	Qty	Unit	Technical Data	Serial No (Start)	Serial No (End)	Remarks	Pages
100	42475401400	HARNESS	1						

AT-146-3 43011100055 UPPER

Pos No.	Parts No	Parts Name	Qty	Unit	Technical Data	Serial No (Start)	Serial No (End)	Remarks	Pages
4	36606675010	PLUG	2				228585		
	36606675012	PLUG	2			228586			
5	91002902500	O-RING	4		1B G25				
6	36606675020	SPRING	2						
7	36606405070	SPACER	2						
8	80316090020	PLUG	2		KKT PT1/8				
11	36606669010	POPPET ASSY	2						
100	36606670000	VALVE,RELIEF	1						

AT-146-3 43011100055 UPPER

Pos No.	Parts No	Parts Name	Qty	Unit	Technical Data	Serial No (Start)	Serial No (End)	Remarks	Pages
1	36640355010	COIL,SOLENOID	1						
	36640355010	COIL,SOLENOID	1						
5	59251502170	O-RING	1						
	59251502170	O-RING	1						
9	59251502190	O-RING	4						
	59251502190	O-RING	4						
17	91001300700	O-RING	1		WP7				
	91001300700	O-RING	1		WP7				
100	36640360000	VALVE,SOLENOID	1						
	36640360000	VALVE,SOLENOID	1						

AT-146-3 43011100055 UPPER

Pos No.	Parts No	Parts Name	Qty	Unit	Technical Data	Serial No (Start)	Serial No (End)	Remarks	Pages
12	91002801400	O-RING	2		1B P14				
100	36625740001	VALVE,CHECK	1						

AT-146-3 43011100055 UPPER

Pos No.	Parts No	Parts Name	Qty	Unit	Technical Data	Serial No (Start)	Serial No (End)	Remarks	Pages
1	42260171500	CASE,INNER	1						

AT-146-3 4301110055 UPPER

Pos No.	Parts No	Parts Name	Qty	Unit	Technical Data	Serial No (Start)	Serial No (End)	Remarks
1	90209201200	NUT	2		M12		228446	
2	42220105030	PACKING	4					
3	91002801400	O-RING	2		1B P14			
4	36052030100	PISTON	2				228446	
5	36053781000	CYLINDER	1					
6	36053782000	ROD	1				228446	
7	91002803500	O-RING	2		1B P35			
8	91694002000	PACKING	2				228446	
9	91660002001	SEAL,DUST	2				228446	
10	36051140100	COVER,ROD	2				228446	
11	36053783000	ROD	1				228446	
12	90302041201	WASHER,SPRING	2		12			
41	36053669900	PACKING SET	1		20X35		228446	
51	90211201200	NUT	2		M12	228447		
54	36054010100	PISTON	2			228447		
56	36054011000	ROD	1			228447		
58	91694002500	PACKING	2			228447		
59	91660002501	SEAL,DUST	2			228447		
60	36054010200	COVER,ROD	2			228447		
61	36054012000	ROD	1			228447		
63	91410202501	RING,BACKUP	2			228447		
64	91332402500	BEARING,PLAIN	2			228447		
65	91431303501	RING,BACKUP	4			228447		
66	91301403500	BEARING,PLAIN	2			228447		
71	36623930000	VALVE,PILOT CHECK	1					
72	91002801000	O-RING	2		1B P10			
73	36053780000	CYLINDER,LIFT	1				228446	
74	80481102020	JOINT	1					
75	91002801100	O-RING	1		1B P11			
76	80430620400	JOINT	1					
77	90180210035	BOLT,BUTTON	2		M10X35			
81	91002801100	O-RING	1		1B P11			
91	36054019900	PACKING SET	2		25X35	228447		
100	42267123001	CYLINDER,LIFT (BUCKET)	1					
103	36054010000	CYLINDER ASSY	1			228447		

AT-146-3 4301110055 UPPER

Pos No.	Parts No	Parts Name	Qty	Unit	Technical Data	Serial No (Start)	Serial No (End)	Remarks	Pages
1	42232191000	TABLE,SLEWING	1						
2	31630482500	CAP	1						
3	37001500250	BOLT	15		M16X70				
4	90303501601	WASHER,PLAIN	15		16				
5	37000507560	PLATE	1						
6	90171110022	BOLT	3		M10X22				
7	90302041001	WASHER,SPRING	3		10				
8	37000112690	PIN	1						
9	37000509190	PLATE	1						
10	90171112030	BOLT	2		M12X30				
11	90302041201	WASHER,SPRING	2		12				
12	37000175720	PIN	1						
13	42230210010	PIN	1						
14	37000505950	PLATE	1		T=3.2				
15	37000507730	PLATE	1						
16	90171320045	BOLT	1		M20X45				
17	90302042001	WASHER,SPRING	1		20				
19	82420404813	TRIM	3	M					
21	82459103000	NIPPLE,GREASE	1		C-PT1/8				
22	82400000459	CAP	1						

CLICK HERE TO **DOWNLOAD** THE COMPLETE MANUAL

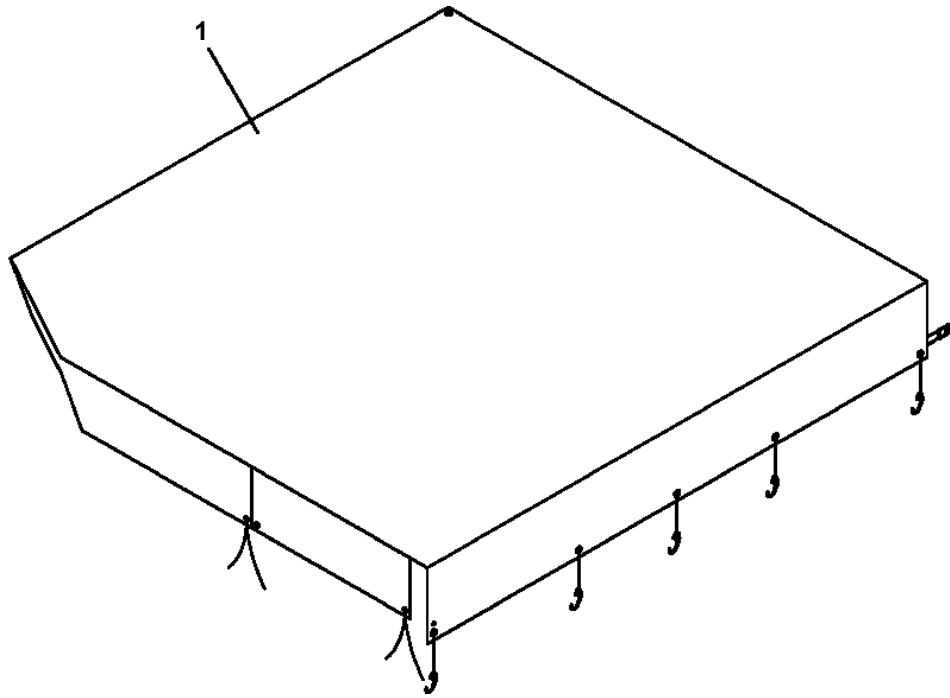
- Thank you very much for reading the preview of the manual.
- You can download the complete manual from: www.heydownloads.com by clicking the link below



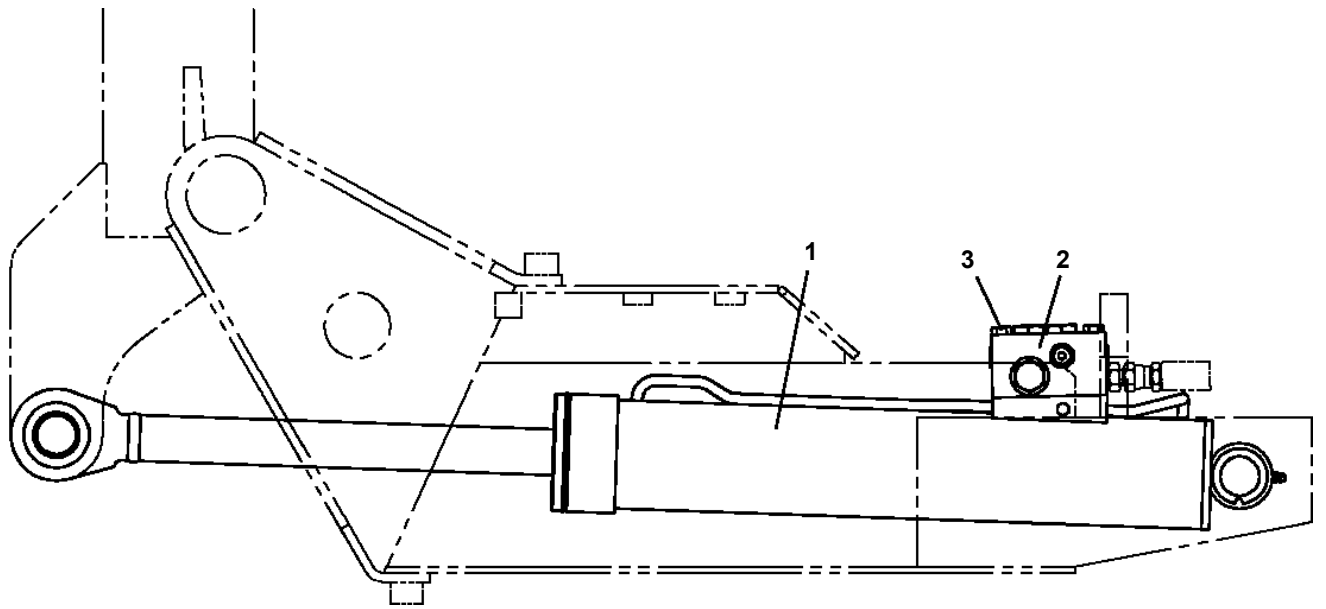
- Please note: If there is no response to CLICKING the link, please download this PDF first and then click on it.

CLICK HERE TO **DOWNLOAD** THE COMPLETE MANUAL

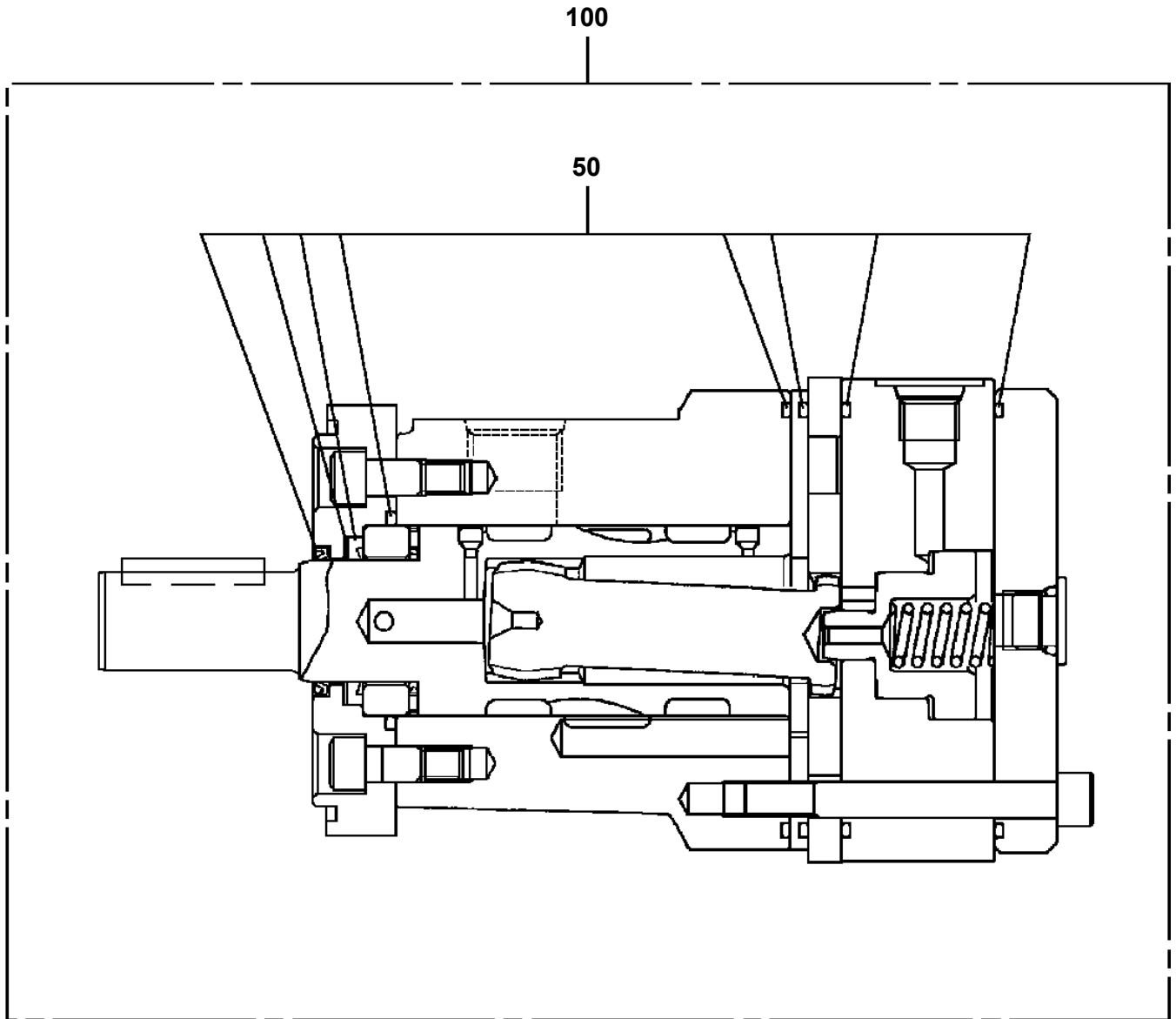
AT-146-3 43011100055 UPPER
PK1330431-00 COVER (RACK,B)



AT-146-3 43011100055 UPPER
PL5180004-00 LEVELING ASSY,UPPER



**AT-146-3 43011100055 UPPER
PM5210008-00 MOTOR ASSY,OIL**



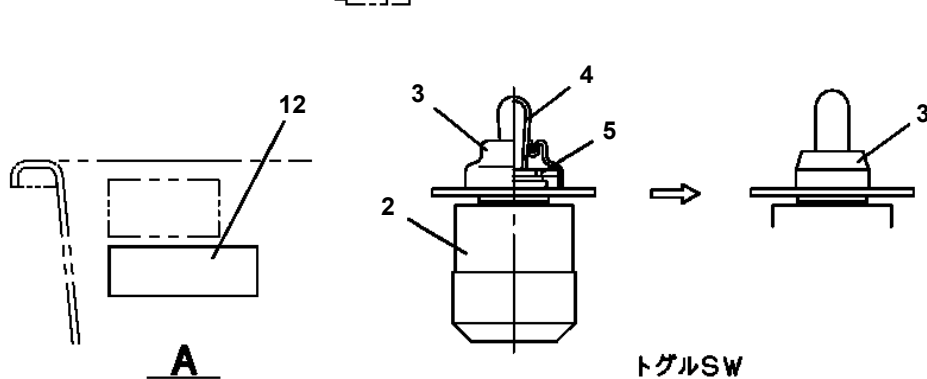
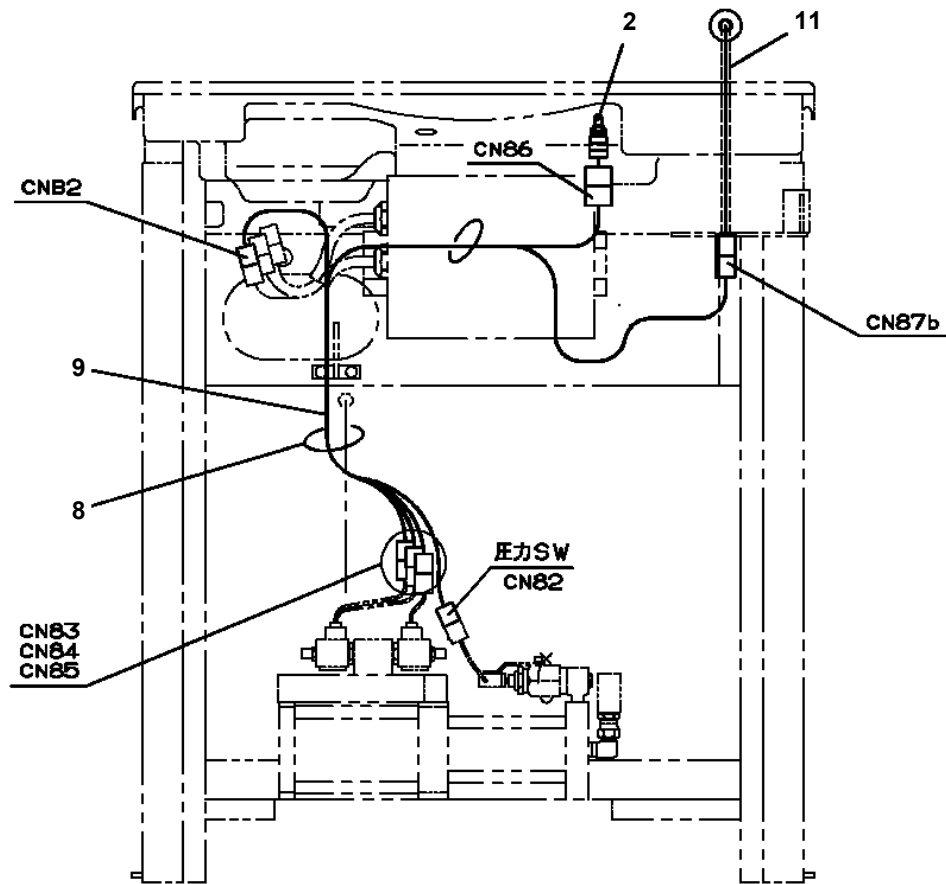
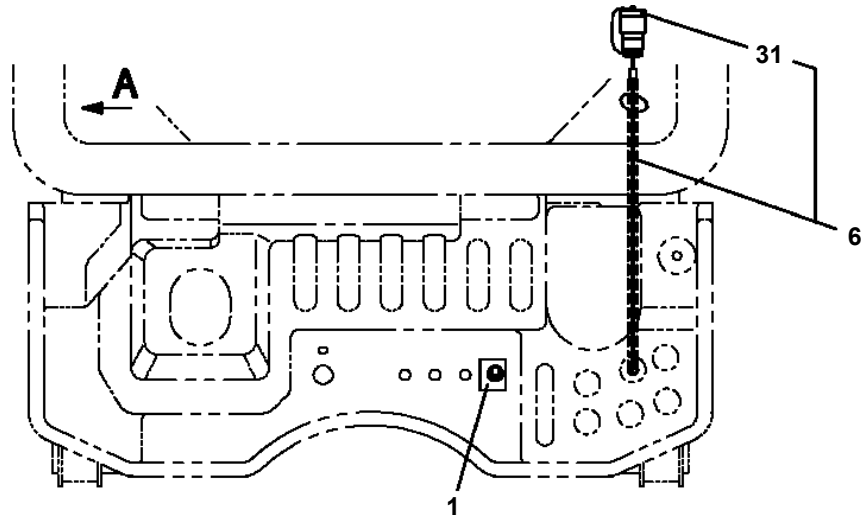
AT-146-3 43011100055 UPPER

Pos No.	Parts No	Parts Name	Qty	Unit	Technical Data	Serial No (Start)	Serial No (End)	Remarks
1	37000714010	CLAMP ASSY	6		12X1			
2	37000300710	SLEEVE	3		12-8			
3	90101208016	BOLT	4		M8X16			
4	90303070801	WASHER,PLAIN	6		8			
5	90302040801	WASHER,SPRING	4		8			
6	90201200800	NUT	3		M8			
7	82100001835	TUBE	1	M				
8	82100002016	CLAMP	1		WR25			
11	91810130240	FASTENER	1					
12	82114101020	CONNECTOR (2P,MALE)	1					
13	82121102020	HOLDER	1					
14	82111101018	TERMINAL	2					
15	82121101030	PLUG	2					
16	42421654510	PLATE	1					
17	80172803006	SCREW,MACHINE	1		M3X6			
18	90302510301	WASHER,SPRING (SUS 3)	1					

AT-146-3 43011100055 UPPER

Pos No.	Parts No	Parts Name	Qty	Unit	Technical Data	Serial No (Start)	Serial No (End)	Remarks
1	42356380101	HARNESS	1					
2	42354740200	SWITCH ASSY	1					
3	82100002597	RELAY	1					
4	80192486010	SCREW,MACHINE	7		M6X10			
5	80192484016	SCREW,MACHINE	6		M4X16			
6	91850400601	CLAMP	5					
7	91810132530	FASTENER	N					
8	90201200800	NUT	1		M8			
9	90302040801	WASHER,SPRING	1		8			
10	90303070801	WASHER,PLAIN	1		8			
11	82127020180	TUBE,SPIRAL	1	M				
12	82100002017	CLAMP	1		WR30			
13	90280200600	NUT,FLANGE	2		M6			
14	82100001801	TUBE,CORRUGATE	N		7			
16	82100002014	CLAMP	1		WR20			
17	82100001807	TUBE,CORRUGATE	1	M	28			
18	42350250070	PLUG (2 POLES,MALE)	1					
19	82161201010	RELAY	2					
20	82100001819	TUBE,SPIRAL	1	M	SE-18BK			
21	42352190100	RESISTANCE	1					
22	80172303012	SCREW,MACHINE	2		M3X12			
23	90302040301	WASHER,SPRING	2		3			
24	90303070301	WASHER,PLAIN	2		3			
25	42470201060	PLATE	1					
26	90201200600	NUT	1		M6			
27	90302040601	WASHER,SPRING	1		6			
28	82100002005	CLAMP	1		WRC8			
29	82100002010	CLAMP	1		WR15			
55	82100002308	COVER	1					
61	42356091000	CONVERTER (ASSY ONLY)	1					
62	42353383100	COVER	1					
63	80172305012	SCREW,MACHINE	4		M5X12			
64	90201200500	NUT	4		M5			
65	90302040501	WASHER,SPRING	4		5			
66	90303070501	WASHER,PLAIN	4		5			
81	42352457510	KEY	1					

AT-146-3 43011100055 UPPER
 PN1014727-01 ELEC.ASSY (BOOSTER)



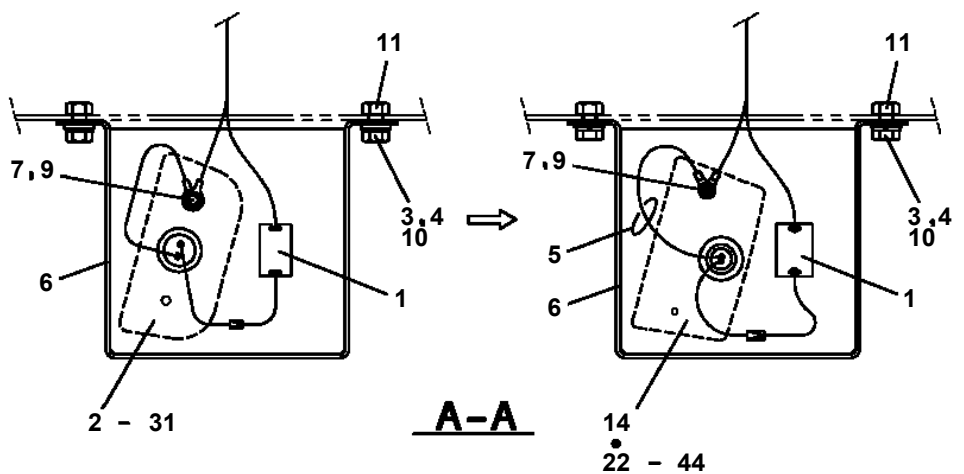
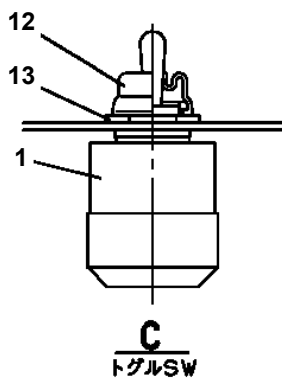
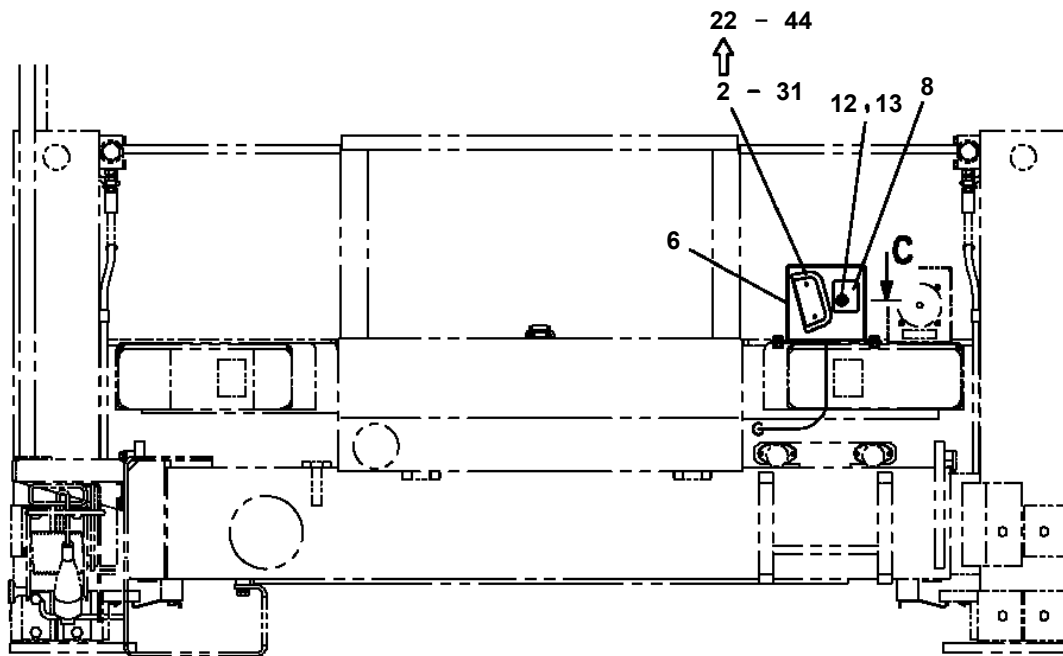
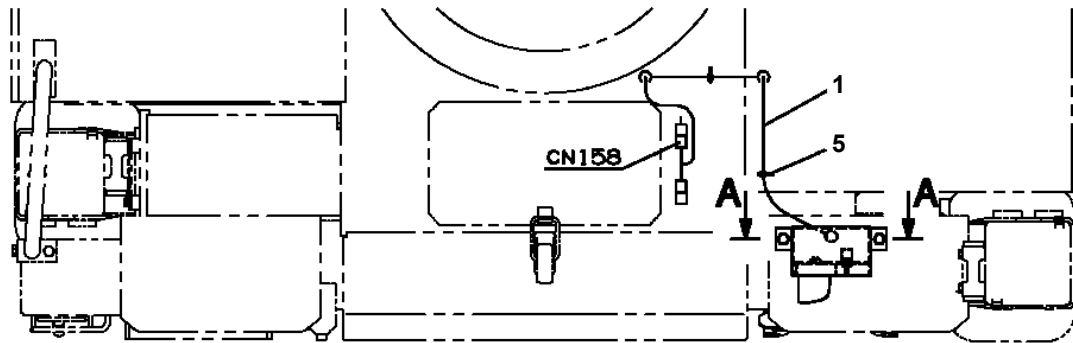
△警告/プースタ操作

- 圧検器およびカッタの水漏れ時には蓋を入れないでください。
- 圧検器のガスまたはカッタの液漏れは、必ずアタッチメントレバー (スイッチ) を中立位置にして行ってください。

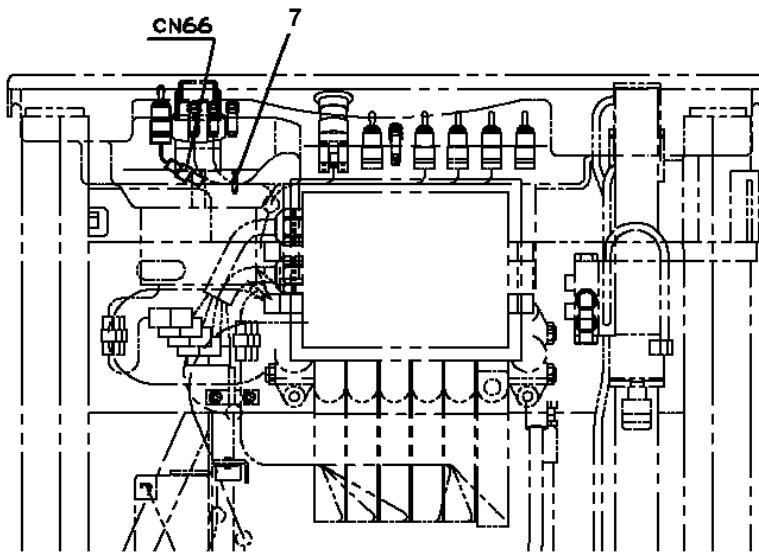
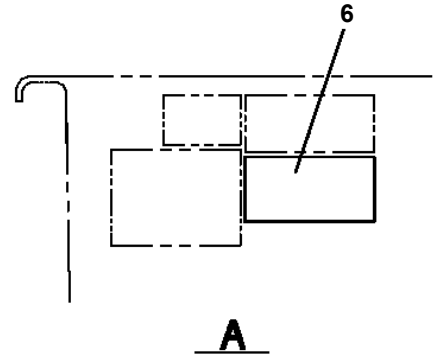
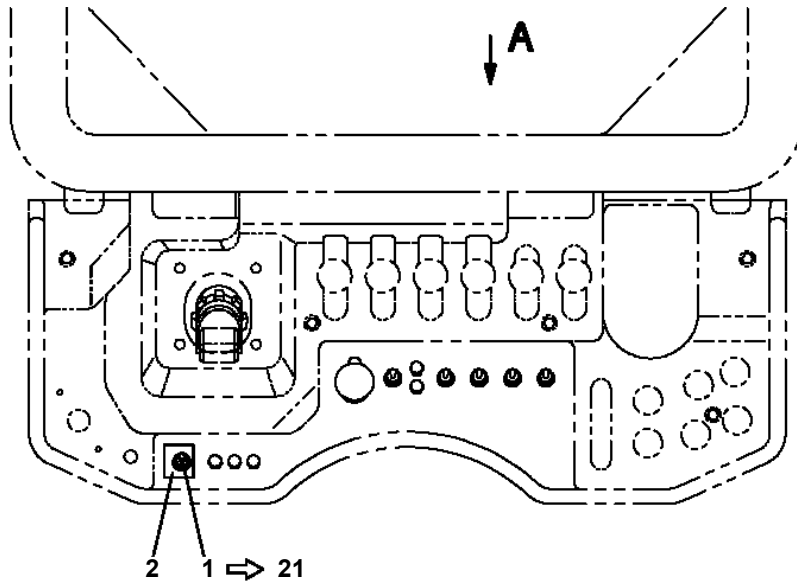
AT-146-3 43011100055 UPPER

Pos No.	Parts No	Parts Name	Qty	Unit	Technical Data	Serial No (Start)	Serial No (End)	Re
1	42502782010	PLATE,NAME	1					
2	42736070100	SWITCH ASSY (WITH HARNESS)	1					
3	42473830020	SWITCH	1					
4	42502782100	HARNESS	1					
5	91810130230	FASTENER	4					
6	42475511100	JOINT,SELF SEALING	2					
7	82100000665	CAP (BLACK)	1					
8	91810132530	FASTENER	30					
9	42474421100	SWITCH	1					
10	90201200600	NUT	4		M6			
11	90302040601	WASHER,SPRING	4		6			
12	42503151100	HARNESS	1					
13	89671101500	TUBE	2		L=1500			
14	42392583090	PLATE,CAUTION	1					
16	90183106020	BOLT	2		M6X20			
17	42478501010	PLATE,NAME (A)	1					
18	42478501020	PLATE,NAME (B)	1					
19	82400000422	FASTENER	1					
20	42503151010	PLATE,NAME	2			228722		
21	82100001801	TUBE,CORRUGATE	1	M	7	229425		
31	42503151200	CONNECTOR ASSY	1			228174		
42	80172303008	SCREW,MACHINE	8		M3X8			
43	90302040301	WASHER,SPRING	8		3			
44	90303070301	WASHER,PLAIN	8		3			
45	82122710200	CAP	2					
46	42475401400	HARNESS	2					
61	42503151300	PLATE	1			228174		

AT-146-3 43011100055 UPPER
 PN1080394-03 LAMP (O/R CONTROL PANEL)

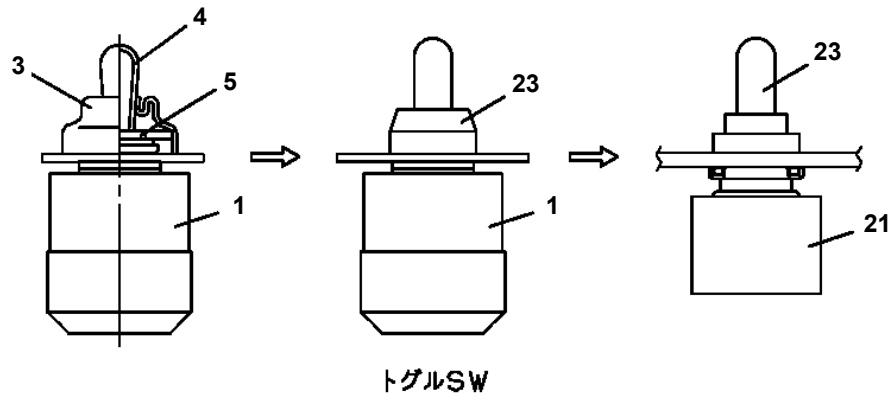


AT-146-3 43011100055 UPPER
 PN1140156-01 SWITCH ASSY (AUTOMATIC STOWING)

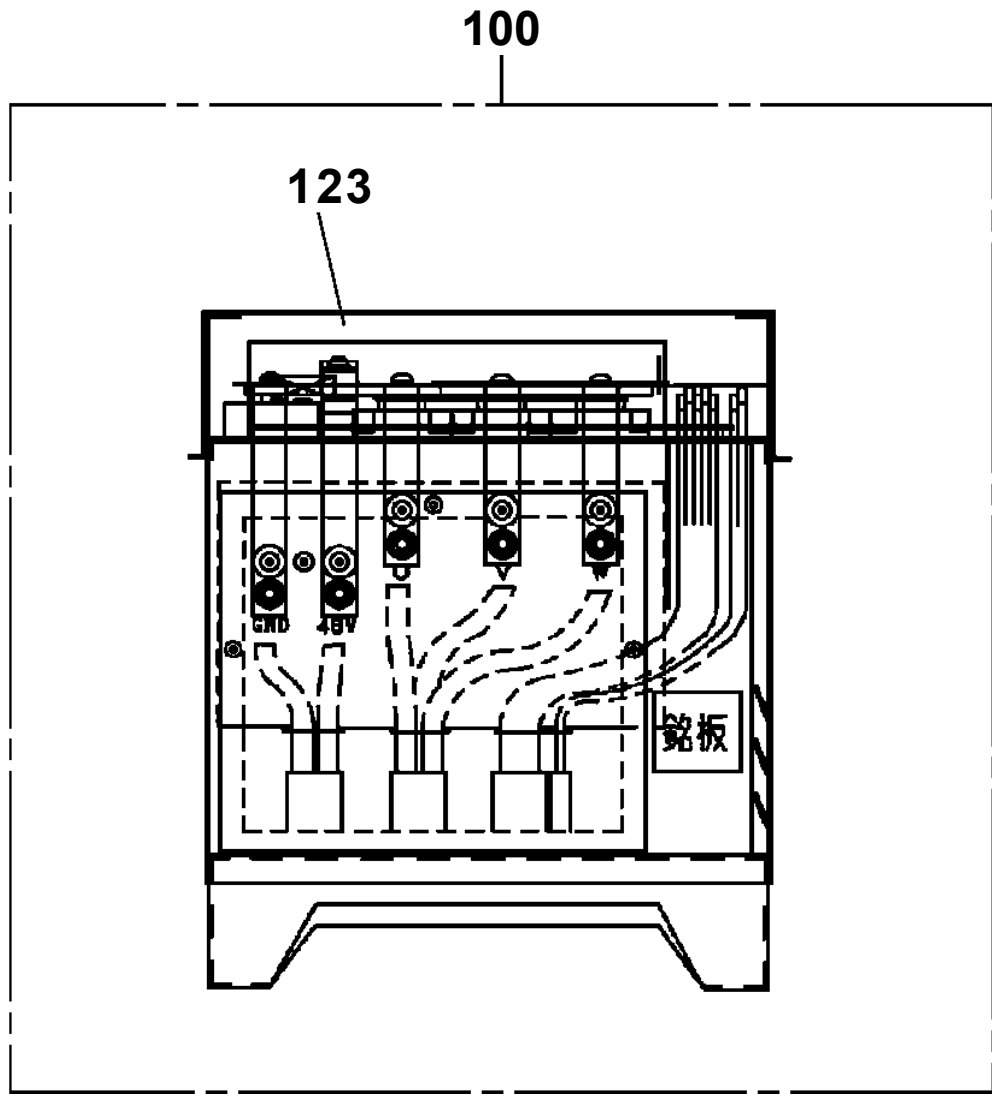


自動格納方法

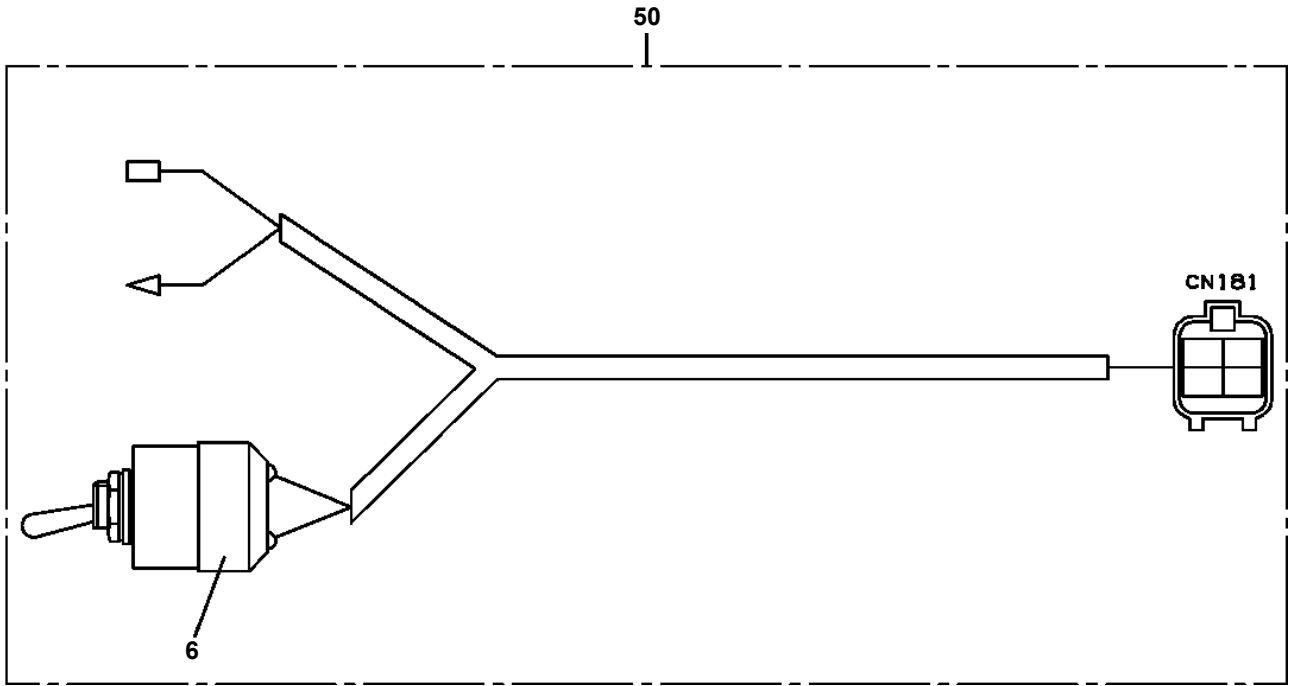
自動格納スイッチをONに保持してください。
 縮小、(戻こし)、展開、伏せの順にプーAが格納されます。
 展開角度が格納位置に達した場合、一旦格納方向と逆の方向に旋回した後、格納方向に旋回します。



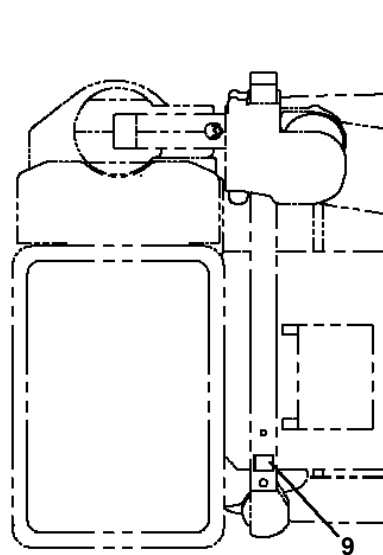
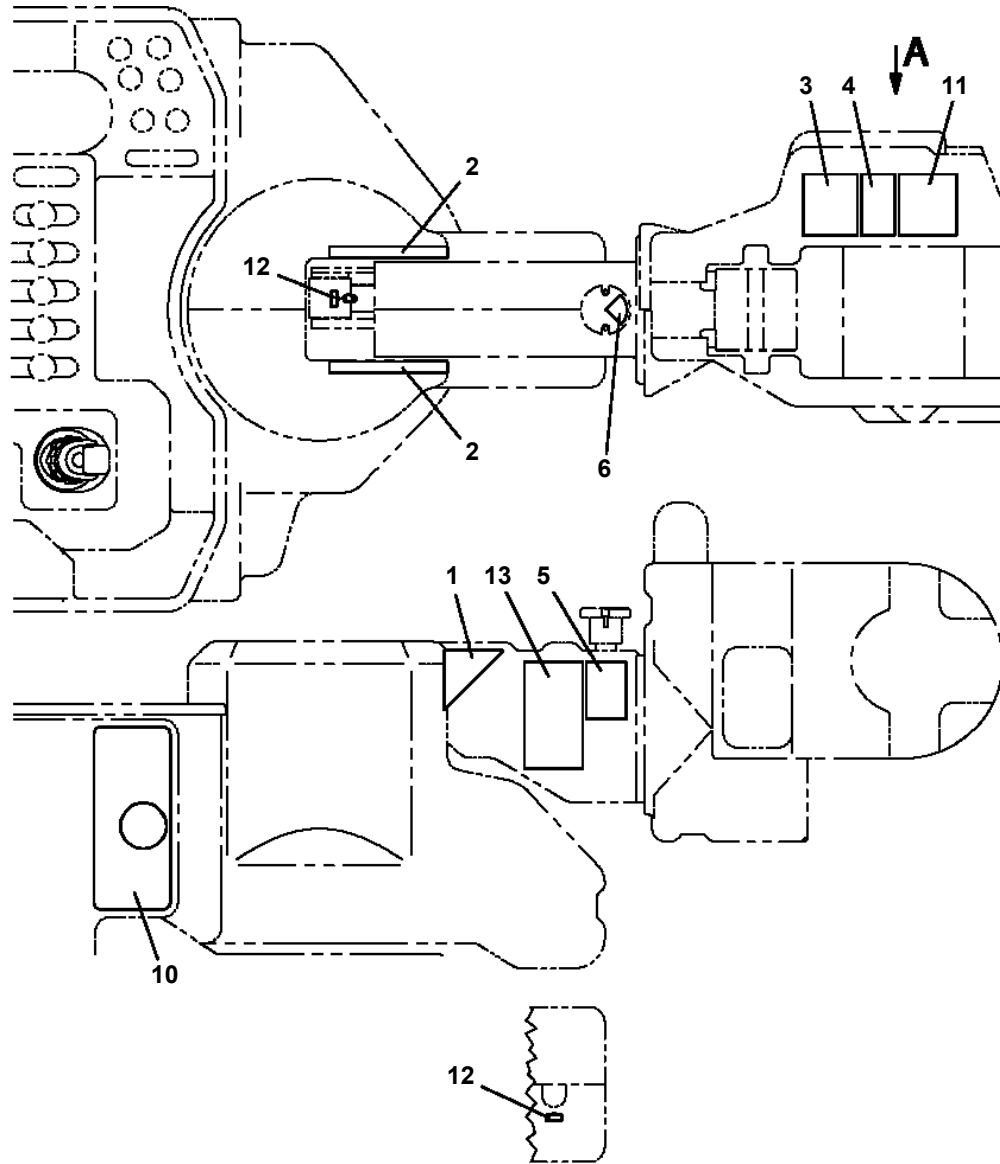
AT-146-3 43011100055 UPPER
PN1240004-00 INVERTER



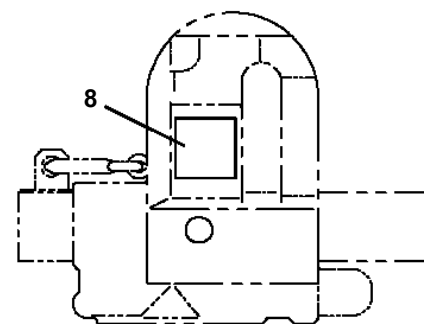
**AT-146-3 43011100055 UPPER
PN1450022-00 HARNESS**



AT-146-3 43011100055 UPPER
 PN5010115-02 PLATE ASSY,NAME (WINCH,JUK,WITHOUT FREELOCK)



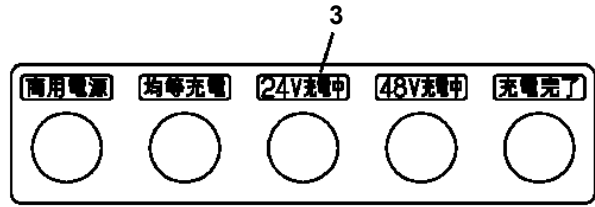
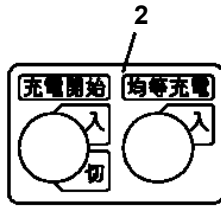
バケット部



A
 (ウインチ格納状態)



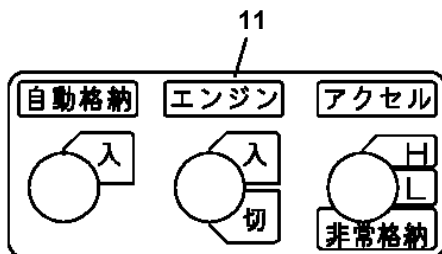
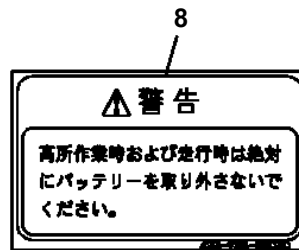
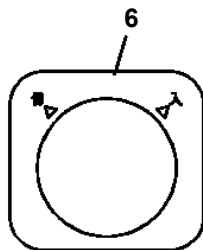
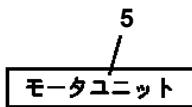
AT-146-3 43011100055 UPPER
 PO1014990-01 PLATE ASSY,NAME (MOTOR UNIT)



4

バッテリーの充電方法

- モーターユニットメインスイッチを「切」にしてください。電線コードを指定の電線に接続してください。「商用電源」表示灯が点灯します。このまま放置すると第1時間後に「24V充電中」表示灯が点灯します。
- 「充電開始」スイッチを「入」にしてください。「48V充電中」・「24V充電中」表示灯が点灯します。このまま充電を継続すると自動的に充電が完了し、「充電完了」表示灯が点灯します。充電途中で中止する場合は、必ず「充電開始」スイッチを「切」にしてから電源を切ってください。
- 夏場は2週間に1回、冬場は1週間に1回を目安に均等充電をしてください。バッテリーが完全に上がった場合や、使用後、すみやかに充電しなかった場合も均等充電してください。「充電開始」スイッチを「入」にしたのち、「均等充電」スイッチを「入」にしてください。「48V充電中」・「均等充電」表示灯が点灯します。

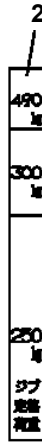
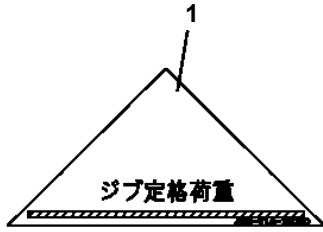


12

電動ポンプの使用法

連続使用時間は8分以内とし、次の使用まで使用時間と同等以上の休みを取ってください。

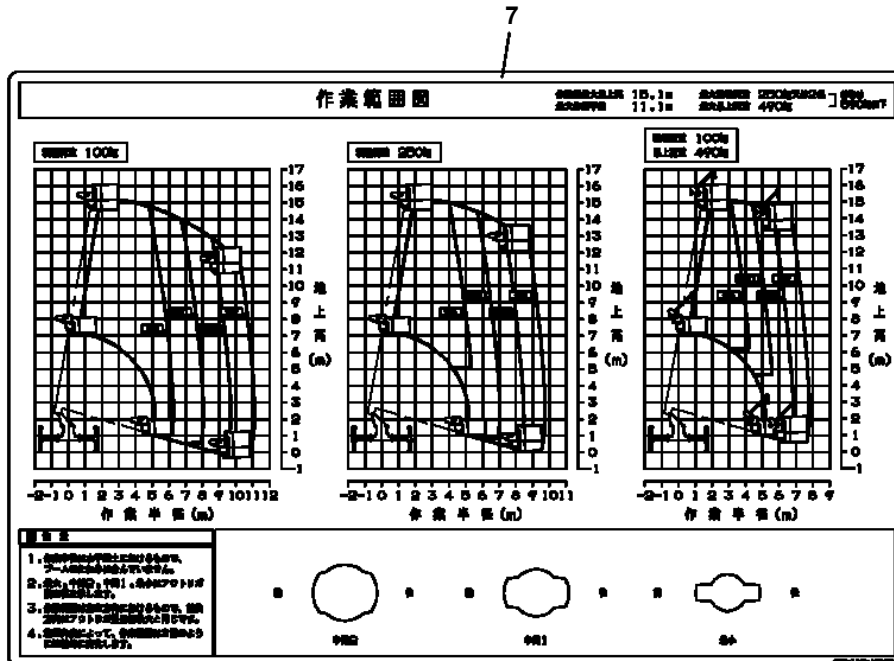
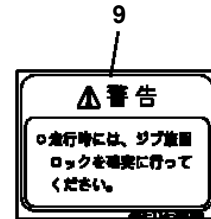
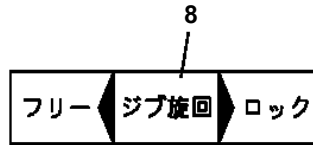
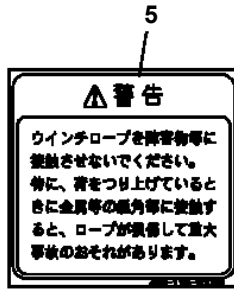
AT-146-3 43011100055 UPPER
 PO1015020-01 PLATE ASSY,NAME (WINCH,W/FREE LOCK)



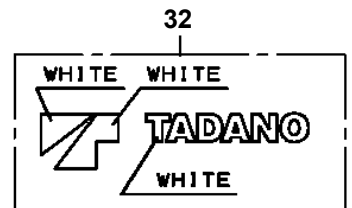
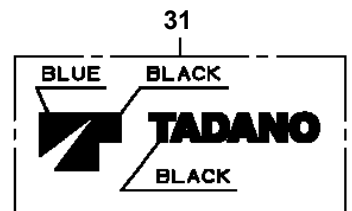
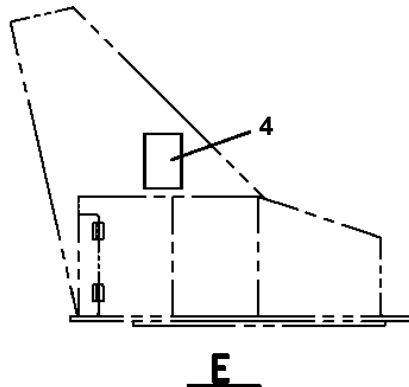
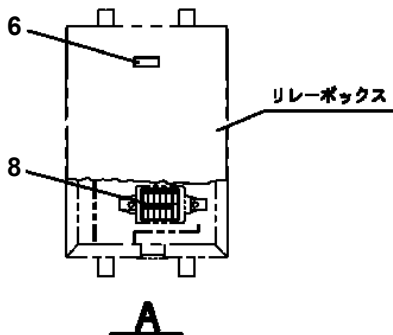
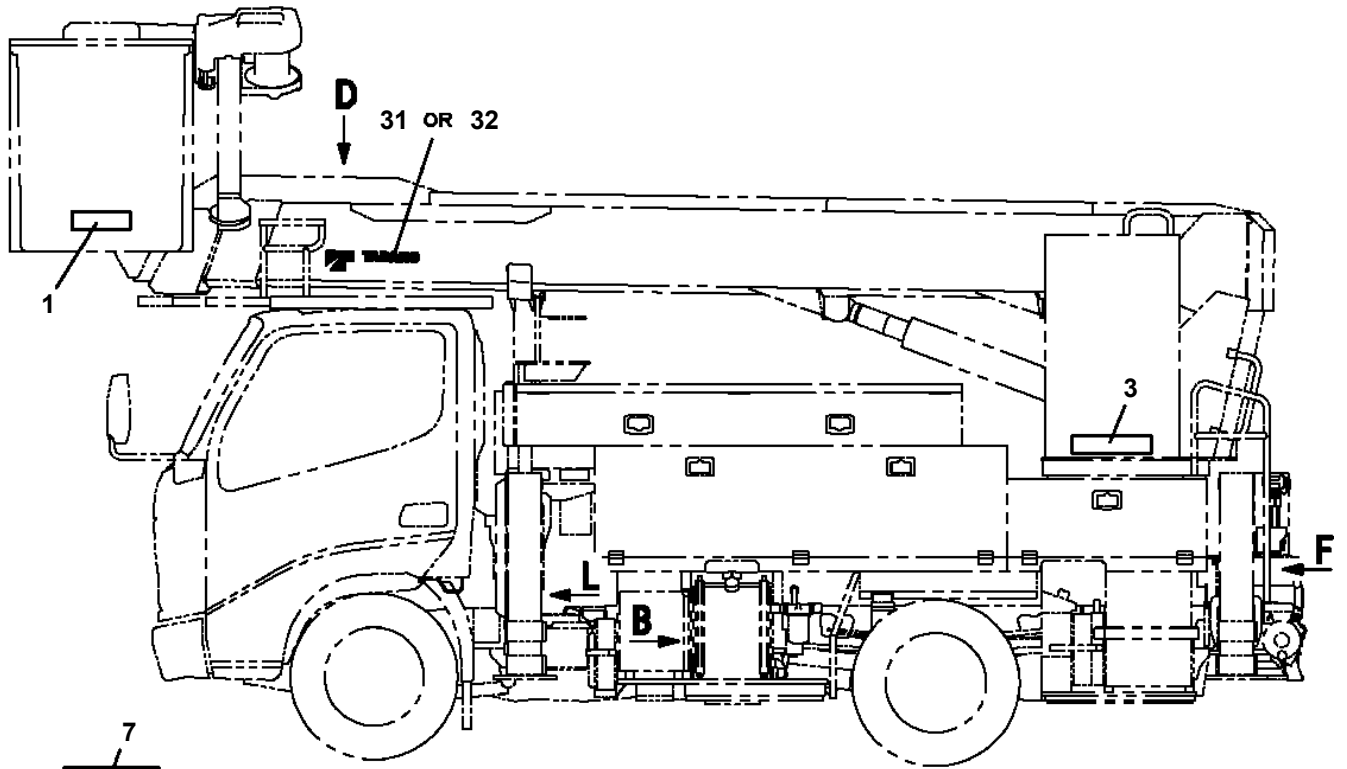
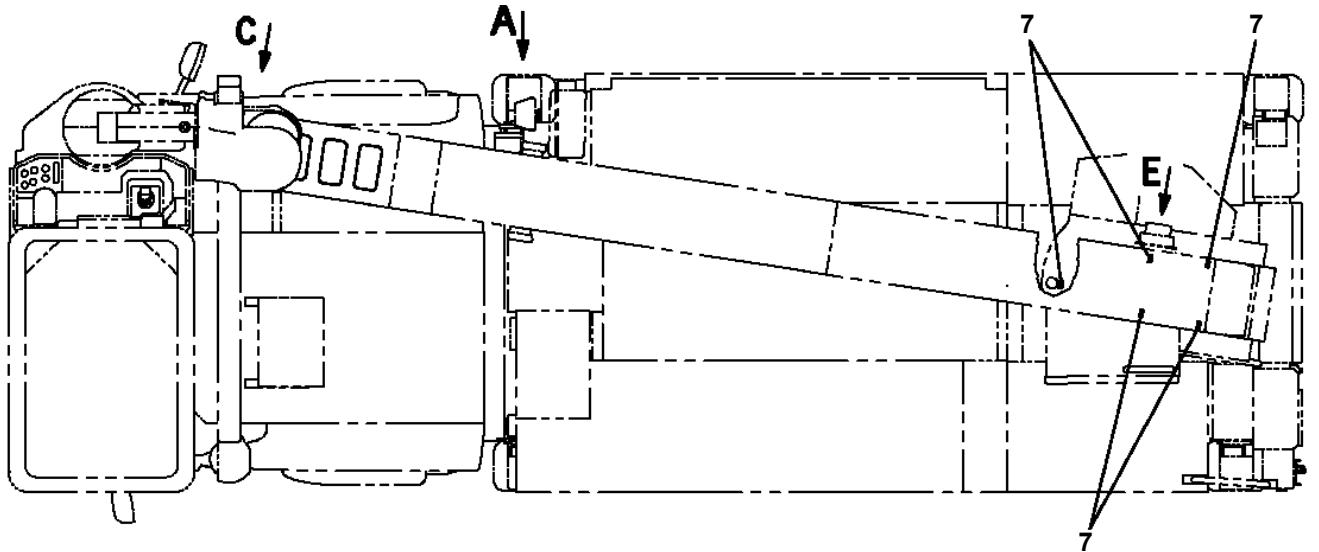
3

ジブ定格荷重	
角度	荷重 (kg)
0° ~ 30°	250
30° ~ 45°	300
45° ~ 90°	490

定格荷重を守ってください。



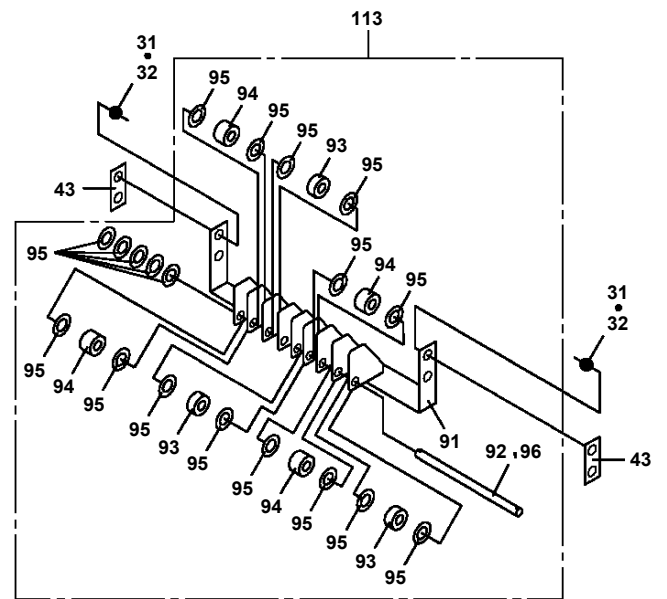
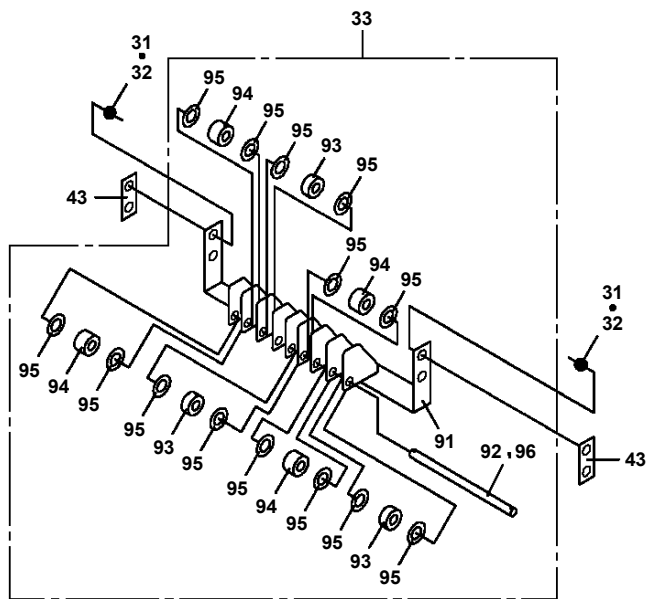
**AT-146-3 43011100055 UPPER
PO1015679-02 PLATE ASSY,NAME (ON WHOLE VEHICLE)**



AT-146-3 43011100055 UPPER

Pos No.	Parts No	Parts Name	Qty	Unit	Technical Data	Serial No (Start)	Serial No (End)	Rema
20	42332677560	SPRING	1					
25	42332677520	PLUG	1					
26	42332677530	BOOT	1					
36	42332677590	STOPPER	1					
41	42332677600	SPRING	2					
45	42332677610	COVER	1					
46	42332677620	CAP	1					
53	42332677630	BEARING	2					
54	42332677540	SPRING	1					
55	42332677650	SPRING	2					
61	42332677660	WASHER	1					
100	42332672003	OPE.ASSY (LEVER,CONTROL)	1					

**AT-146-3 43011100055 UPPER
PP6060002-02 PIPING ASSY,BOOM**



AT-146-3 43011100055 UPPER

Pos No.	Parts No	Parts Name	Qty	Unit	Technical Data	Serial No (Start)	Serial No (End)
97	80430620600	JOINT (WITH O-RING)	3		L,G3/8-G3/8		
98	80303130161	FITTING,ELBOW	2		KLO12-030E		
99	80303130141	FITTING,ELBOW	1		KLO12-020E		
	80303130141	FITTING,ELBOW	1		KLO12-020E		229278
100	42346832100	JOINT	1			228338	229278
101	* 37000926900	JOINT (WITH O-RING)	1		L,G3/8-G1/4	228686	228759
	37000926900	JOINT (WITH O-RING)	3		L,G3/8-G1/4	228760	
102	42340180060	ORIFICE	1		1.0	228686	
103	42340240230	ORIFICE	2			228760	
104	37000921890	JOINT	1				
	37000921890	JOINT	1			228760	
105	91002801400	O-RING	3		1B P14		229278
	91002801400	O-RING	4		1B P14		228685
	91002801400	O-RING	5		1B P14		
	91002801400	O-RING	4		1B P14		228759
	91002801400	O-RING	4		1B P14	228686	228759
	91002801400	O-RING	9		1B P14	228760	229278
	91002801400	O-RING	12		1B P14	229279	
111	91071011500	O-RING	1		Y22550-115-A		
112	91470000600	RING,BACKUP	1		Y22021-06		
122	80400160127	JOINT	2				
123	80471020502	JOINT	1				
124	80430620400	JOINT	1				
128	91002801100	O-RING	9		1B P11		
131	80303130181	FITTING,ELBOW	1		KLO15-030E		
133	42346831102	JOINT	1				
134	80400160225	JOINT	1				
160	42346832200	JOINT	1			229279	
166	80302090141	FITTING	1		KCO12-020N	229279	

AT-146-3 43011100055 UPPER

Pos No.	Parts No	Parts Name	Qty	Unit	Technical Data	Serial No (Start)	Serial No (End)	Remarks
5	82182819823	DIODE	1		1.5A			
	82182819823	DIODE	1		1.5A			
9	34354781710	RELAY (WITH BRACKET)	1					
	34354781710	RELAY (WITH BRACKET)	1					
100	34354781740	RELAY	1					
	34354781740	RELAY	1					

AT-146-3 43011100055 UPPER

Pos No.	Parts No	Parts Name	Qty	Unit	Technical Data	Serial No (Start)	Serial No (End)	Remarks
65	42311891901	GEAR ASSY	1			229425		
66	36053870001	CYLINDER,WINCH JIB	1					
81	80806007540	BEARING,PLAIN	2					
82	42311301410	SPACER	1					
83	80820003020	BEARING,PLAIN	2					
84	82455106000	NIPPLE,GREASE	1		A-M6F FE			
86	80720103020	PIN,SPRING	1		3X20			
101	42312145102	SUPPORT	1			228335		
102	42312145201	PIN ASSY	1					
103	90710006120	SCREW,SET	2		M6X12			
122	80513006015	BEARING,BALL	1					
141	42312145301	GRIP	1					
142	80720105018	PIN,SPRING	1		5X18			
143	80720105028	PIN,SPRING	1		5X28			
144	42312145400	GUIDE	1					
145	37001201220	SPRING	1					
146	42312145500	PIN	1					

AT-146-3 43011100055 UPPER

Pos No.	Parts No	Parts Name	Qty	Unit	Technical Data	Se
1	82109833232	SWITCH	1			
2	82100002220	CABLE	3	M		
3	82100002173	CONNECTOR	1			
50	42509150000	SWITCH ASSY (ELEC.BOOSTER, REMOTE:2M,NANABOSI,KASUGA)	1			

AT-146-3 43011100055 UPPER

Pos No.	Parts No	Parts Name	Qty	Unit	Technical Data	Serial No (Start)	Serial No (End)	Rem
1	42470980100	SWITCH,PUSH	1					
2	82100002220	CABLE	2	M				
3	82100002173	CONNECTOR	1					
10	42470980000	SWITCH BOX (FOR BOOSTER)	1					

AT-146-3 43011100055 UPPER

Pos No.	Parts No	Parts Name	Qty	Unit	Technical Data	Serial No (Start)	Serial No (End)	Remarks	Page
5	50815054503	PACKING	2						
6	36624970600	SPRING	2						
7	91002801800	O-RING	2		1B P18				
8	50815054703	PIN (STOP)	2						
9	36623835900	PLUG	2						
10	36624971100	SPACER	2						
100	36625000000	VALVE ASSY,CHECK	1						

AT-146-3 43011100055 UPPER

Pos No.	Parts No	Parts Name	Qty	Unit	Technical Data	Serial No (Start)	Serial No (End)	Remarks
1	42478183600	LEVER	1					
2	42475431200	LINK	1					
4	42478183400	SUPPORT	1					
7	80560006000	BALL,STEEL	1		6			
9	37001200370	SPRING	1					
10	37000133460	PIN	2					
11	90172106020	BOLT,HEXAGON SOCKET	4		M6X20			
12	91002801400	O-RING	2		1B P14			
13	91410001400	RING,BACKUP	2		P14			
14	91002800700	O-RING	1		1B P7			
15	91410000700	RING,BACKUP	1		P7			
16	90303070601	WASHER,PLAIN	1		6			
17	90302040601	WASHER,SPRING	1		6			
18	90201200600	NUT	1		M6			
19	80601110100	RING,RITAINING	4		S10			
20	37000401040	BEARING,PLAIN	6					
21	90201200800	NUT	1		M8			
22	90302040801	WASHER,SPRING	2		8			
23	90303070801	WASHER,PLAIN	1		8			
24	90201400800	NUT	1		M8			
25	90172108018	BOLT,HEXAGON SOCKET	1		M8X18			
100	42479232202	VALVE ASSY,SELECTOR	1					

AT-146-3 43011100055 UPPER

Pos No.	Parts No	Parts Name	Qty	Unit	Technical Data	Serial No (Start)	Serial No (End)	Rem
1	42460015010	BAG,TOOL	1					
2	91991510003	HEXAGON BARWRENCH (G3)	1					
3	91991510004	HEXAGON BARWRENCH (G4)	1					
4	91991510005	HEXAGON BARWRENCH (G5)	1					
5	91991510006	HEXAGON BARWRENCH (G6)	1					
6	91991510008	HEXAGON BARWRENCH (G8)	1					
7	91991510010	HEXAGON BARWRENCH (G10)	1					
8	91991310024	SPANNER	1		24			
50	42473401000	TOOLS	1					

AT-146-3 43011100055 UPPER

Pos No.	Parts No	Parts Name	Qty	Unit	Technical Data	Serial No (Start)	Serial No (End)	Remarks	Pages
1	36073820000	WINCH	1						000090
2	42311623100	SUPPORT	1						
3	42312194100	SUPPORT	1						
4	42310951020	JOINT	1						
5	80320030050	FITTING,ELBOW	1		KLE10-020N				
6	42310951300	PIN	1						
7	37002600400	WEDGE	1						
8	90101212018	BOLT	6		M12X18				
9	90302041201	WASHER,SPRING	6		12				
10	90101210016	BOLT	4		M10X16				
11	90302041001	WASHER,SPRING	4		10				
12	90101208020	BOLT	4		M8X20				
13	90302040801	WASHER,SPRING	8		8				
14	80400160128	JOINT	2		S,G3/8-G1/4				
15	91002801400	O-RING	2		1B P14				
16	42311623300	SUPPORT	1						
17	90171108020	BOLT	4		M8X20				

AT-146-3 43011100055 UPPER

Pos No.	Parts No	Parts Name	Qty	Unit	Technical Data	Serial No (Start)	Serial No (End)	Remarks	Pages
1	42698900500	FENDER	1				229107		
	42698900501	FENDER	1			229108	229501		
2	90186208020	BOLT,FLANGE	8		M8X20				
3	90280200800	NUT,FLANGE	8		M8				
4	42698900602	FENDER	1				229717		
	42698900603	FENDER	1			229718			
5	90101208014	BOLT	6		M8X14				
6	90302040801	WASHER,SPRING	8		8				
7	42698900700	FENDER	1				229107		
	42698900701	FENDER	1			229108			
8	42698900802	FENDER	1						
9	42698900900	SUPPORT	1				228563		
	42698900901	SUPPORT	1			228564			
10	37000511290	PLATE	1						
11	90101208030	BOLT	1		M8X30				
12	90201200800	NUT	2		M8				
13	90303070801	WASHER,PLAIN	3		8				
16	42698900502	FENDER	1			229502			
17	82467300103	PLUG	2			229502			

AT-146-3 43011100055 UPPER

Pos No.	Parts No	Parts Name	Qty	Unit	Technical Data	Serial No (Start)	Serial No (End)	Remarks	Pages
1	42505811100	PLATE	1						
2	42505811200	SUPPORT	1						
3	42698150300	INSULATOR	2						
4	80172804012	SCREW,MACHINE	2		M4X12				
5	90302510401	WASHER,SPRING	2		4				
6	90303520401	WASHER,PLAIN	2		4				
7	90101208040	BOLT	3		M8X40				
8	90302040801	WASHER,SPRING	3		8				
9	90201200800	NUT	3		M8				
10	37000315270	SPACER	3						
21	42505812101	STEP	1						
22	34393906550	PLATE (NON-SLIP)	3						

AT-146-3 43011100055 UPPER

Pos No.	Parts No	Parts Name	Qty	Unit	Technical Data
11	42971852000	BLOCK,WOOD (LEFT REAR:KANSAI DENRYOKU/DETACHABLE TYPE)	1		
12	42738221000	WOOD BLOCK (KANSAI DENRYOKU/DETACHABLE)	3		
	42738221000	WOOD BLOCK (KANSAI DENRYOKU/DETACHABLE)	4		

AT-146-3 43011100055 UPPER

Pos No.	Parts No	Parts Name	Qty	Unit	Technical Data	Serial No (Start)	Serial No (End)	Rem
3	82400000333	RING	4				229695	
13	42831401500	SPRING	1					
14	80172304008	SCREW,MACHINE	4		M4X8			
15	90303070401	WASHER,PLAIN	4		4			
16	42420044050	SPRING	1					
18	82400000154	HINGE	3					
31	82400000357	CATCH	2					
33	80181306010	SCREW,MACHINE	4		M6X10			
34	90302040601	WASHER,SPRING	4		6			
35	82400000345	CHAIN (QTY=L)	1	M			229465	
50	42831401000	BOX,TOOL (BOOM,LEFT SIDE)	1					

AT-146-3 43011100055 UPPER

Pos No.	Parts No	Parts Name	Qty	Unit	Technical Data	Serial No (Start)	Serial No (End)
2	42835807510	DOOR	1				
3	42835797680	COVER	1				
5	42835807520	SEAT	1				
7	42835797550	SEAL	4				
8	42831877540	INSULATOR	2				
9	42835107600	WEATHER STRIP	1		L=2520		
10	42835357590	CATCH	1				
12	42835797710	LATCH (RING)	1				
13	42835797580	PLUG (HOLE)	4				
14	42833077610	BUSH	4				
15	42834457590	SCREW,MACHINE (SEMS)	2		M4X12		
16	42835837600	SCREW,MACHINE	4		M5X12		
17	42835797720	SCREW,MACHINE (WITH W,SW,NUT)	4		M4X10		
18	42835487650	HINGE	2				
19	80175805012	SCREW,MACHINE	6		M5X12		
20	42835797730	TRIM	1		380MM		
21	42836317920	PLATE	2			228553	
22	42836037550	WASHER,TOOTH	2		M10	228553	
23	42835807530	PACKING	2			228553	
100	42835801000	BOX,TOOL	1				

AT-146-3 43011100055 UPPER

Pos No.	Parts No	Parts Name	Qty	Unit	Technical Data	Serial No (Start)	Serial No (End)
2	42835797670	DOOR	1				
3	42835797680	COVER	1				
4	42837207510	GUARD	1				
5	42836317920	PLATE	2				
6	42835797690	SEAT	1				
7	42831877540	INSULATOR	2				
8	42836317950	WEATHER STRIP	3	M			
9	42837207520	TRIM	1	M			
10	42833077610	BUSH	4				
11	42837207530	SEAL	1	M			
12	42835357590	CATCH	1				
13	42835487650	HINGE	2				
14	42836317910	LATCH (RING)	1				
15	42835797580	PLUG (HOLE)	6				
16	42835487670	BOLT (WITH W,SW)	6		M8X16		
17	42834457590	SCREW,MACHINE (SEMS)	2		M4X12		
18	42835797720	SCREW,MACHINE (WITH W,SW,NUT)	4		M4X10		
19	80175805012	SCREW,MACHINE	6		M5X12		
20	42835837600	SCREW,MACHINE	4		M5X12		
21	42836037550	WASHER,TOOTH	2		M10		
100	42837202000	BOX,TOOL	1				

AT-146-3 43011100055 UPPER

Pos No.	Parts No	Parts Name	Qty	Unit	Technical Data	Serial No (Start)	Serial No (End)	Remarks	Pages
1	42837231000	BOX,TOOL	1						000352
2	90101212020	BOLT	12		M12X20		228277		
	90101212022	BOLT	12		M12X22	228278			
3	90302041201	WASHER,SPRING	12		12				
4	42837230100	SUPPORT	1						
5	90101208016	BOLT	8		M8X16				
6	90302040801	WASHER,SPRING	8		8				
7	82466003104	CAP	2						
8	90303071201	WASHER,PLAIN	12		12	228278			

AT-146-3 43011100055 UPPER
 PX5010126-00 MOUNT ASSY (YURTEC:ROOF RACK/MOBILE FENCE,HINO)

指示番号 KEY NO.	マウントASSY (ユアテック:ルーフラック/カト* ウサク, ヒノ) MOUNT ASSY (YURTEC:ROOF RACK/MOBILE FENCE,HINO)
1	マウントASSY, キャブ* ウエデ* ツキ MOUNT ASSY, DECK ON CAB
2	ハイセンASSY ELEC. ASSY
4	ネームプレートASSY (ルーフラック, カト* ウサク) NAME PLATE ASSY (ROOF RACK, MOBILE FENCE)
5	ネームプレートASSY (アンテナ) NAME PLATE ASSY (ANTENNA)

N/A ←

AT-146-3 4301110055 UPPER

Pos No.	Parts No	Parts Name	Qty	Unit	Technical Data	Serial No (Start)	Serial No (End)	Remarks	Pages
1	42356320200	SUPPORT	22						
2	37000517380	PLATE	1		T=2.3 TO 3.2				
6	42443101204	COVER ASSY	1						
7	42443101304	COVER ASSY	1						
8	42443101002	COVER ASSY	1						
9	42443100501	COVER	1						
10	42443100601	COVER	1						
11	42443100702	COVER ASSY	1						
12	90186208014	BOLT,FLANGE	22		M8X14				
13	90303070801	WASHER,PLAIN	50		8		229194		
	90303070801	WASHER,PLAIN	48		8	229195			
14	82100000952	GROMMET	4						
15	90180206020	BOLT,BUTTON	3		M6X20				
16	90302040601	WASHER,SPRING	14		6				
17	90180206016	BOLT,BUTTON	8		M6X16				
18	90303071001	WASHER,PLAIN	2		10	229195			
19	90201200800	NUT	22		M8				
20	90302040801	WASHER,SPRING	22		8				
21	90180206012	BOLT,BUTTON	4		M6X12				
22	90186208020	BOLT,FLANGE	4		M8X20				
24	42443100403	COVER	1						
27	42443102000	COVER ASSY	1						
28	42443100203	COVER	1						
29	42443100303	COVER	1						
51	42443101310	PLATE	2						
53	42443101271	BLADE	2						
54	42443101281	SUPPORT	1						
55	80172304010	SCREW,MACHINE	22		M4X10				
56	90302040401	WASHER,SPRING	22		4				
57	90201200400	NUT	8		M4				
74	42443101381	SUPPORT	1						
91	42443101010	SUPPORT	1						
92	42443101102	SUPPORT	1						
93	42443101020	BLADE	1						
111	42443100711	SUPPORT	1						
112	42443100770	BLADE	1						
113	42443100760	PLATE	1						
121	42443102100	COVER	1						
122	42443102200	BLADE	2						
125	42443102300	SUPPORT	2						
135	82400000200	GROMMET	1		KG-012,L=250				

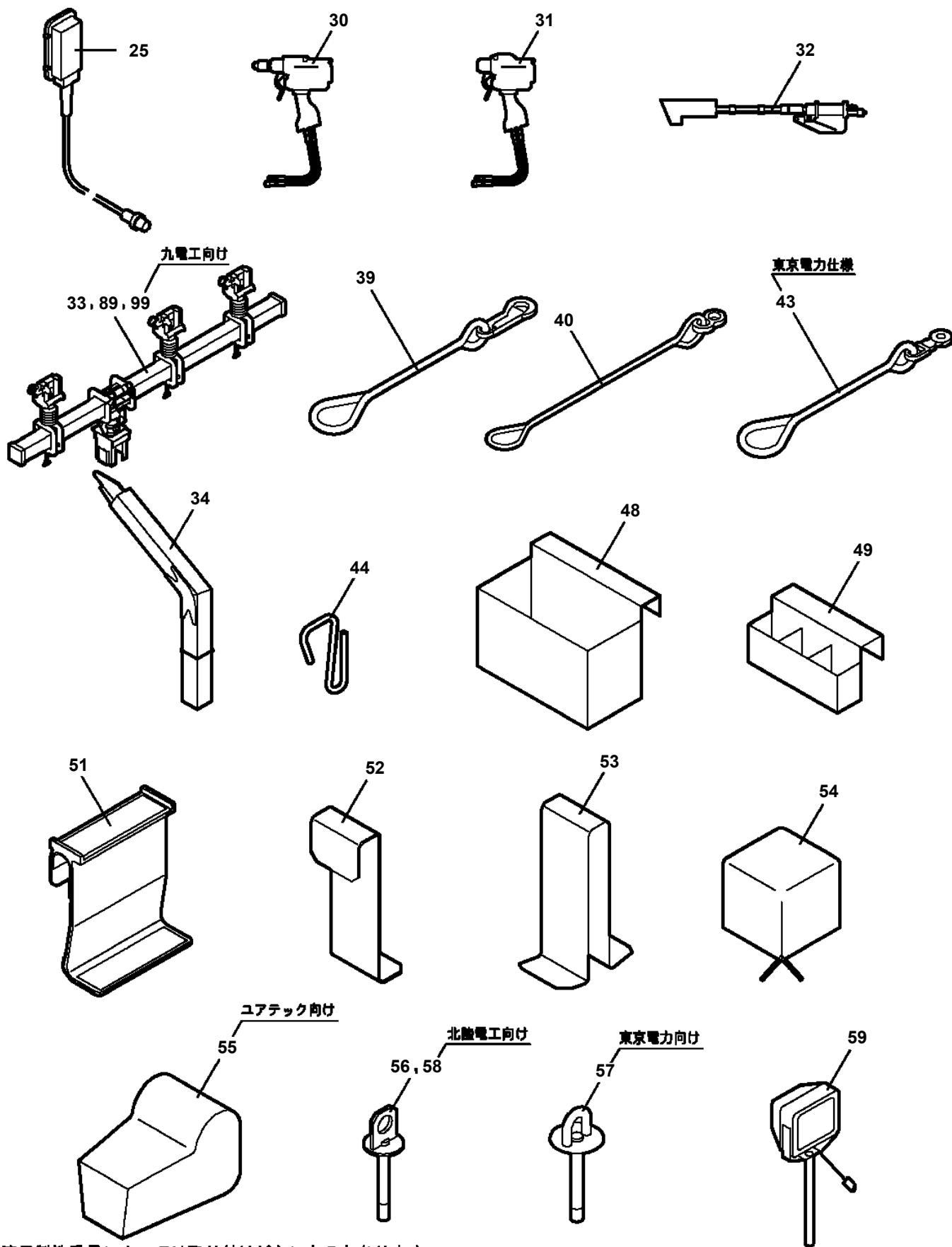
AT-146-3 43011100055 UPPER

Pos No.	Parts No	Parts Name	Qty	Unit	Technical Data	Serial No (Start)	Serial No (End)	Remarks	Pages
1	82400000550	SUPPORT	1						
2	80172804016	SCREW,MACHINE	2		M4X16				

AT-146-3 43011100055 UPPER

Pos No.	Parts No	Parts Name	Qty	Unit	Technical Data	Serial No (Start)	Serial No (End)	Remarks	Pages
1	42444260100	CLAMP	1		R40				
2	42444290100	CLAMP	1		R40				
3	90101208025	BOLT	2		M8X25				
4	90302040801	WASHER,SPRING	2		8				
5	90303070801	WASHER,PLAIN	6		8				
6	90201200800	NUT	2		M8				

AT-146-3 43011100055 UPPER
PY1020001-10 OPTION UNIT,2



適用製造番号によっては取り付けがないものもあります。

MACHINES OF SOME SERIAL NO. ARE NOT EQUIPPED WITH THESE PARTS.

AT-146-3 43011100055 UPPER

Pos No.	Parts No	Parts Name	Qty	Unit	Technical Data	Serial No (Start)	Serial No (End)	Re
1	42473857510	SCREW	4					
2	42473857515	SPRING	4					
3	80560053000	BALL,STEEL	4		1/8			
4	42470027510	HEAD (SCM)	1					
5	42473857530	SPRING	1					
6	42473857535	PIN	1					
7	42470027520	COLLAR	1					
8	42473857545	SPRING	1					
9	42473857550	PISTON	1					
10	91411003500	RING,BACKUP	1					
11	91001103500	O-RING	1		1A P35			
12	42470027530	CYLINDER	1					
13	42473857570	HOLDER	1					
14	42473857575	CAP	1					
15	91001101400	O-RING	1		1A P14			
16	42473857580	CAP	1					
17	42473857590	COVER	1					
18	42473857595	BUTTON (PUSH)	1					
19	42473857600	SPRING	1					
20	42473857605	SWITCH	1					
21	42473857610	HOLDER (SWITCH)	1					
22	42473857615	SCREW	1					
24	42473857620	BINDER	4					
25	42473857625	TUBE	1					
26	42473857630	TUBE	1					
27	42473857635	TUBE	1					
28	42473857640	BINDER	6					
29	42473857645	HOSE	1					
30	42473857650	JOINT	1					
31	42473857655	CABLE	1					
32	82100002173	CONNECTOR	1					
38	80136320010	PIN,SPLIT	1		2X10			
39	42473857675	SEPARATOR	1					
61	42473857670	PROTECTOR ASSY	1					
62	42473857690	CLAMP ASSY	1					
100	42470020000	CLAMP HEAD (IZUMI 8TON,2.5M)	1					

AT-146-3 43011100055 UPPER

Pos No.	Parts No	Parts Name	Qty	Unit	Technical Data	Serial No (Start)	Serial No (End)	Rem
1	42473857510	SCREW	4					
2	42473857515	SPRING	4					
3	80560053000	BALL,STEEL	4		1/8			
4	42473857520	HEAD (TITAN)	1					
5	42473857530	SPRING	1					
6	42473857535	PIN	1					
7	42473857540	COLLAR	1					
8	42473857545	SPRING	1					
9	42473857550	PISTON	1					
10	91411003500	RING,BACKUP	1					
11	91001103500	O-RING	1		1A P35			
12	42473857560	CYLINDER	1					
13	42473857570	HOLDER	1					
14	42473857575	CAP	1					
15	91001101400	O-RING	1		1A P14			
16	42473857580	CAP	1					
17	42473857590	COVER	1					
18	42473857595	BUTTON (PUSH)	1					
19	42473857600	SPRING	1					
20	42473857605	SWITCH	1					
21	42473857610	HOLDER (SWITCH)	1					
22	42473857615	SCREW	1					
24	42473857620	BINDER	4					
25	42473857625	TUBE	1					
26	42473857630	TUBE	1					
27	42473857635	TUBE	1					
28	42473857640	BINDER	6					
29	42473857645	HOSE	1					
30	42473857650	JOINT	1					
31	42473857655	CABLE	1					
32	42473857660	PLUG (SANWA)	1					
38	80136320010	PIN,SPLIT	1		2X10			
39	42473857675	SEPARATOR	1					
61	42473857670	PROTECTOR ASSY	1					
62	42473857690	CLAMP ASSY	1					
100	42473850000	CLAMP HEAD (IZUMI 8TO,3.5M)	1					

AT-146-3 43011100055 UPPER

Pos No.	Parts No	Parts Name	Qty	Unit	Technical Data	Serial No (Start)
1	42473190000	CUTTER HEAD (IZUMI 6.4TON 2.5M ELECTRICSANWA)	1			

AT-146-3 43011100055 UPPER

Pos No.	Parts No	Parts Name	Qty	Unit	Technical Data	Serial No (Start)	Serial No (End)	Remarks
1	42473650000	ROPE (SAFETY,0.5M,D=24)	1					

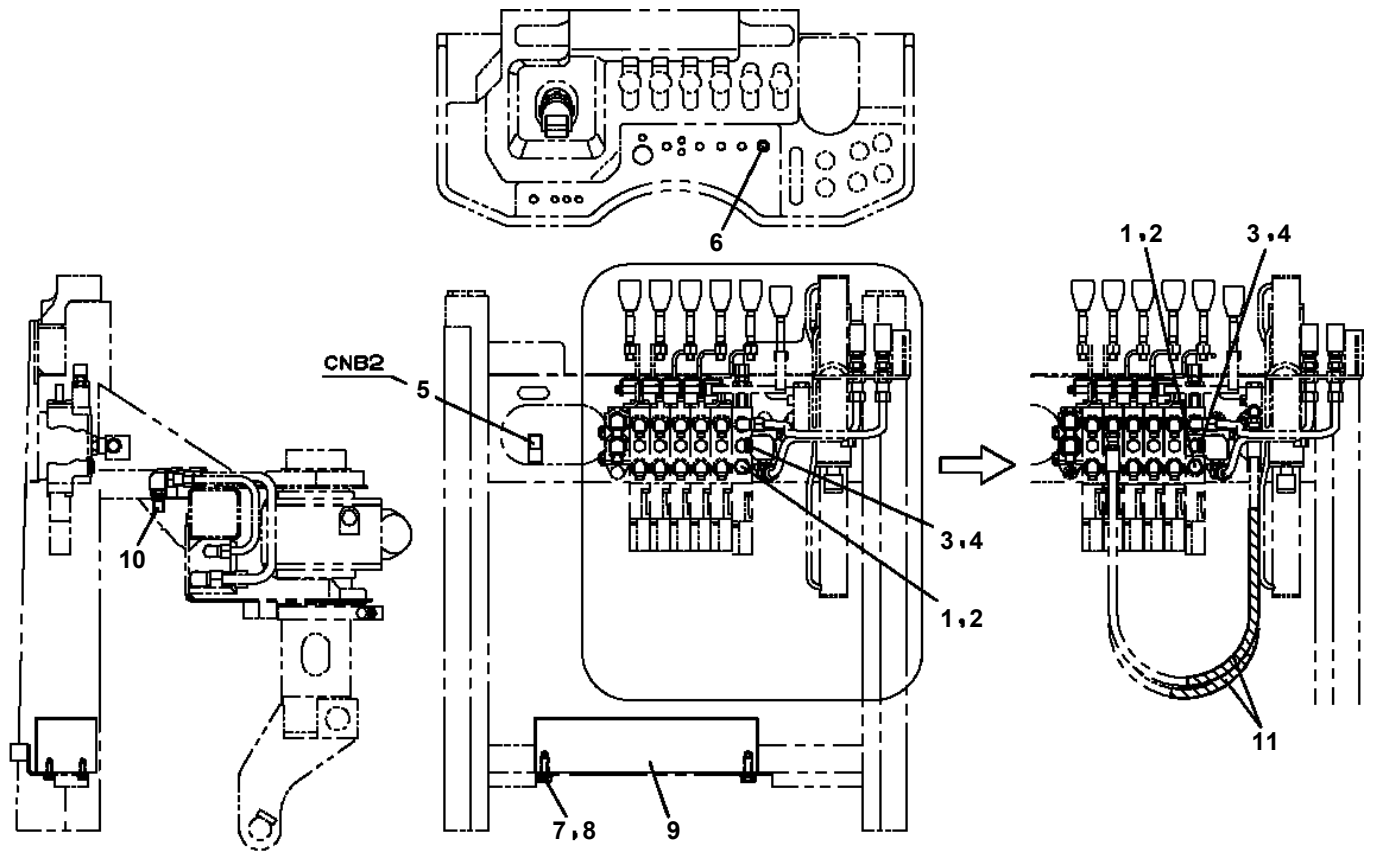
AT-146-3 43011100055 UPPER

Pos No.	Parts No	Parts Name	Qty	Unit	Technical Data	Serial No (Start)	Serial No (End)	Remarks	Pages
1	42470121000	ARM ASSY	1						
2	42471231000	HOLDER	3						
3	42470123000	CLAMP ASSY	1						
4	42470044000	HOT STICK	1						
5	42476851000	SUPPORT	1						
6	90101216130	BOLT	1		M16X130				
7	90303071601	WASHER,PLAIN	2		16				
8	90201201600	NUT	2		M16				
9	42220011200	SUPPORT	1						
31	42470121100	ARM	1						
32	42470121200	CAP	2						

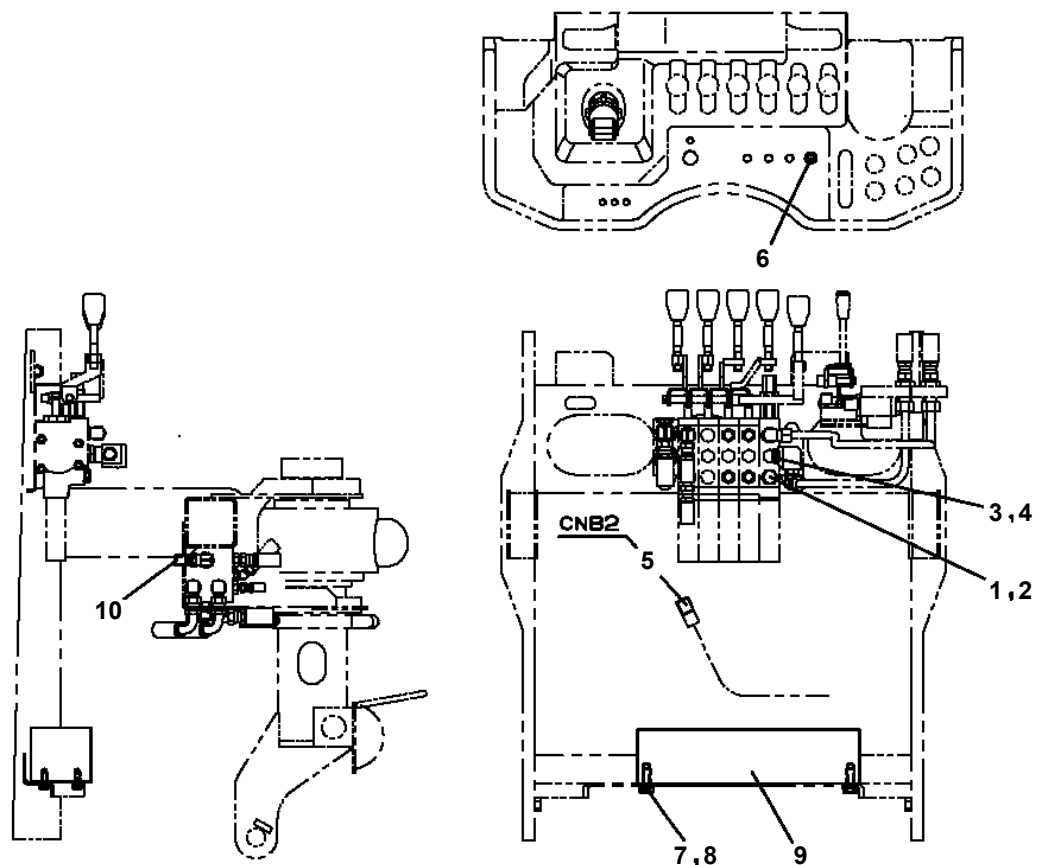
AT-146-3 43011100055 UPPER

Pos No.	Parts No	Parts Name	Qty	Unit	Technical Data	Serial No (Start)	Serial No (End)	Remarks
1	36053841010	COVER (SIDE,A)	1					
	36053841010	COVER (SIDE,A)	1					
2	91002803900	O-RING	1		1B P39			
	91002803900	O-RING	1		1B P39			
3	91411003900	RING,BACKUP	1		P39			
	91411003900	RING,BACKUP	1		P39			
4	36052131520	TUBE	1					
	36052131520	TUBE	1					
5	36050345020	HEAD	1					
	36050345020	HEAD	1					
6	12235104020	SPRING	1					
	12235104020	SPRING	1					
7	80560061000	BALL,STEEL	1		3/8			
	80560061000	BALL,STEEL	1		3/8			
8	36050345030	PACKING SET	1					
	36050345030	PACKING SET	1					
9	36052131530	COVER (SIDE,B)	1					
	36052131530	COVER (SIDE,B)	1					
10	91002907000	O-RING	1		1B G70			
	91002907000	O-RING	1		1B G70			
11	91001104200	O-RING	1		1A P42			
	91001104200	O-RING	1		1A P42			
12	91411004200	RING,BACKUP	1		P42			
	91411004200	RING,BACKUP	1		P42			
13	91002909500	O-RING	2		1B G95			
	91002909500	O-RING	2		1B G95			
14	36052131540	ROD,PUSH	1					
	36052131540	ROD,PUSH	1					
15	36052131550	ROD	1					
	36052131550	ROD	1					
16	36052131560	TUBE	1					
	36052131560	TUBE	1					
17	36050345090	PISTON	1					
	36050345090	PISTON	1					
18	91001109000	O-RING	1		1A P90			
	91001109000	O-RING	1		1A P90			
19	91411009000	RING,BACKUP	2		P90			
	91411009000	RING,BACKUP	2		P90			
20	91002802600	O-RING	1		1B P26			
	91002802600	O-RING	1		1B P26			
21	91002801200	O-RING	1		1B P12			
	91002801200	O-RING	1		1B P12			
22	36050125130	BUSH	1					
	36050125130	BUSH	1					
23	91001100800	O-RING	1		1A P8			
	91001100800	O-RING	1		1A P8			
24	91411000800	RING,BACKUP	1					
	91411000800	RING,BACKUP	1					
25	80602110170	RING,RITAINING	1		R17			
	80602110170	RING,RITAINING	1		R17			
26	91002800800	O-RING	1		1B P8			
	91002800800	O-RING	1		1B P8			
27	91002801000	O-RING	3		1B P10			
	91002801000	O-RING	3		1B P10			
28	36050125110	NUT	1					
	36050125110	NUT	1					
29	90740006060	SCREW,SET	1		M6X6			
	90740006060	SCREW,SET	1		M6X6			
30	36053841020	COVER (SIDE,C)	1					
	36053841020	COVER (SIDE,C)	1					
31	90201201000	NUT	1		M10			
	90201201000	NUT	1		M10			
32	36052131570	BOLT,STUD	8					

**AT-146-3 43011100055 UPPER
PY1160235-01 BOOSTER (NON,BOOSTER)**



昇降バケットの場合



標準バケットの場合

**AT-146-3 43011100055 UPPER
PY1500068-00 SELECTOR,BOOSTER (AIR&ELEC.,NANABOSHI,PANEL COUPLER)**

指示番号 KEY NO.	セレクト,ブースタ (エア & エレキ,ナナホシ) SELECTOR,BOOSTER (AIR & ELEC.,NANABOSHI)
1	ブースタ BOOSTER
2	ハイセンASSY ELEC.ASSY
3	パイピング,ブースタ PIPING,BOOSTER

AT-146-3 43011100055 UPPER

Pos No.	Parts No	Parts Name	Qty	Unit	Technical Data	Serial No (Start)	Serial No (E
1	42504472100	SUPPORT	1				
2	80456240600	JOINT,SELF SEALING (WITH DUST CAP)	2				
3	42502783100	LEVER	1			228262	
4	82430208020	GRIP	1				
5	90101206010	BOLT	2		M6X1.0		
6	90302040601	WASHER,SPRING	2		6		
7	36631120050	NUT	2		M20		
8	42479232202	VALVE ASSY,SELECTOR	1			228475	
9	37002459180	HOSE	1		L=565		
10	82104501180	SWITCH,LIMIT	1				
11	42502783010	PLATE,NAME	1				
12	42310040050	ROPE (TETORON)	4	M		228632	
13	82100001735	SLEEVE	8			228632	
14	91810130230	FASTENER	7			228632	
15	37000925920	JOINT	1				
16	37000526010	PLATE	2				
17	37000929040	JOINT	2				
18	37000928400	JOINT	1				
19	80301050100	FITTING	2				
20	81408000160	PIPE,STEEL	1	M	12X1.4T		
21	81408000160	PIPE,STEEL	1	M	12X1.4T		
22	80302090161	FITTING	2		KCO12-030N		
23	80400160209	CAP	1				
24	80400160210	CAP	1				
25	89630702000	HOSE,VINYL	1		10X15.2M		
26	91801300160	CLIP	1		D=14-16		
27	42502783020	PLATE,NAME	1				
28	42504472011	SUPPORT	1				
41	42471437520	CAP	2				

AT-146-3 43011100055 UPPER

Pos No.	Parts No	Parts Name	Qty	Unit	Technical Data	Serial No (Start)	Serial No (End)
1	42470367770	HOSE,AIR	1		3M		
2	42470362100	JOINT,SELF SEALING	1				
3	42506287510	PUMP	1				
4	42470367780	JOINT	1				
100	42506280000	HOSE,BOOSTER (LARGE,AIR BALLOON ONLY)	1				

AT-146-3 43011100055 UPPER

Pos No.	Parts No	Parts Name	Qty	Unit	Technical Data	Serial No (Start)	Serial No (End)
1	42471271000	DRILL ASSY	1				
2	80460003080	JOINT	2		S,G3/8-3/4-16UNF		
3	37002425110	HOSE	2		L=2500		
4	91810132530	FASTENER	4				
5	80456020610	JOINT,SELF SEALING	1				
6	42340013200	JOINT,SELF SEALING (WITH CAP)	1				
11	42340017550	CAP (DUST)	1				
16	42340017510	CAP (DUST)	1				
20	42471270000	DRIL,HYDRAULIC	1				

AT-146-3 43011100055 UPPER

Pos No.	Parts No	Parts Name	Qty	Unit	Technical Data	Serial No (Start)	Serial No (End)	Remarks	Pages
1	42470282000	LINK	1						
2	42470281000	JIB	1						
3	90101512045	BOLT	1		M12X45				
4	90201401200	NUT	1		M12				
5	90302041201	WASHER,SPRING	1		12				
6	90101216130	BOLT	1		M16X130				
7	90201201600	NUT	1		M16				
8	90303071601	WASHER,PLAIN	1		16				

CLICK HERE TO **DOWNLOAD** THE COMPLETE MANUAL

- Thank you very much for reading the preview of the manual.
- You can download the complete manual from: www.heydownloads.com by clicking the link below



- Please note: If there is no response to CLICKING the link, please download this PDF first and then click on it.

CLICK HERE TO **DOWNLOAD** THE COMPLETE MANUAL