

**AT-146-2A 42095960400 LOWER,TOYOTA BDG-XZU354H-TKMSD6**

PO1000127-01 INDICATION PLATES

PX2000887-00 CARRIER UNIT

ASSEMBLY

CLICK HERE TO **DOWNLOAD** THE COMPLETE MANUAL

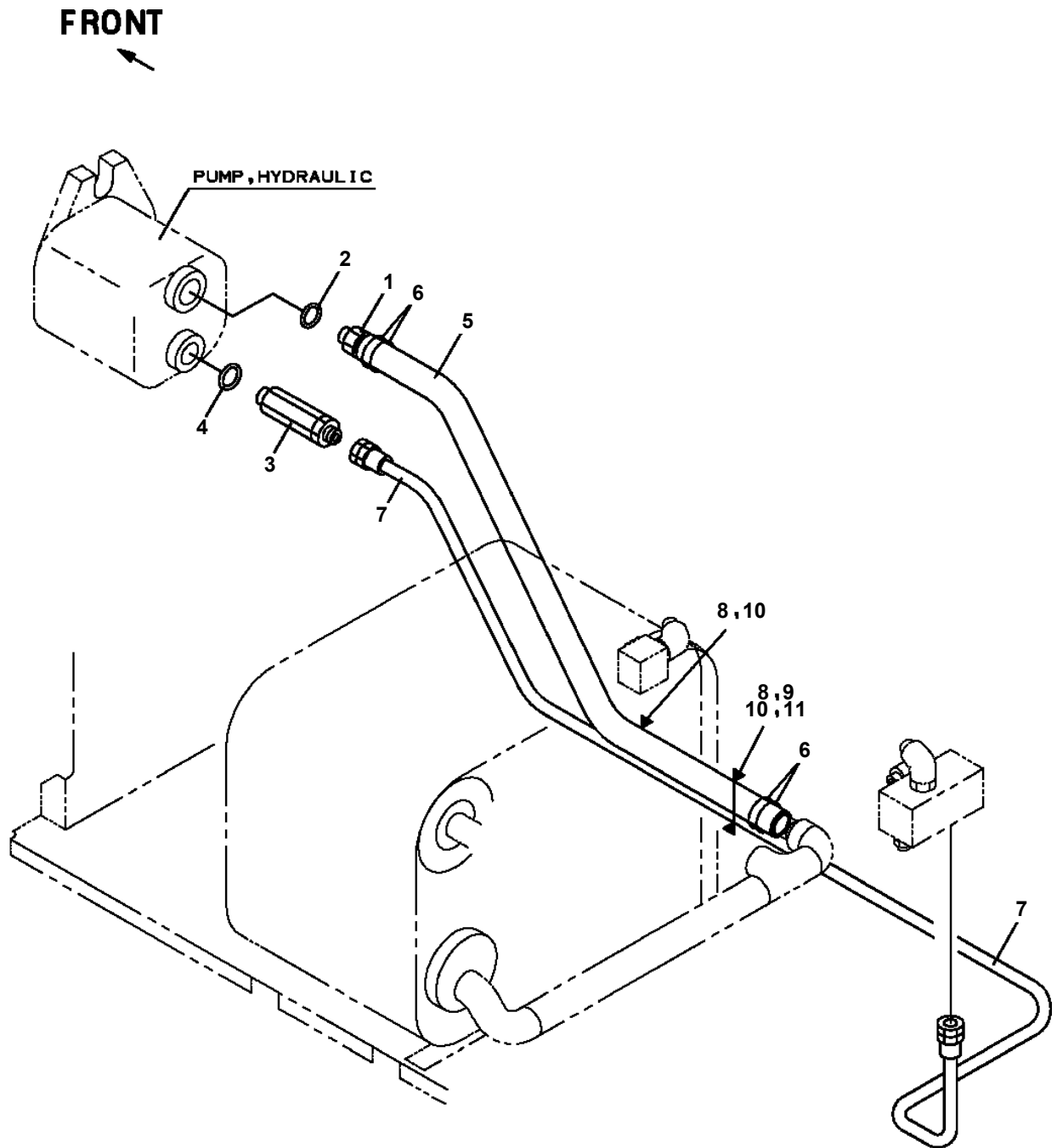
- Thank you very much for reading the preview of the manual.
- You can download the complete manual from: [www.heydownloads.com](http://www.heydownloads.com) by clicking the link below



- Please note: If there is no response to CLICKING the link, please download this PDF first and then click on it.

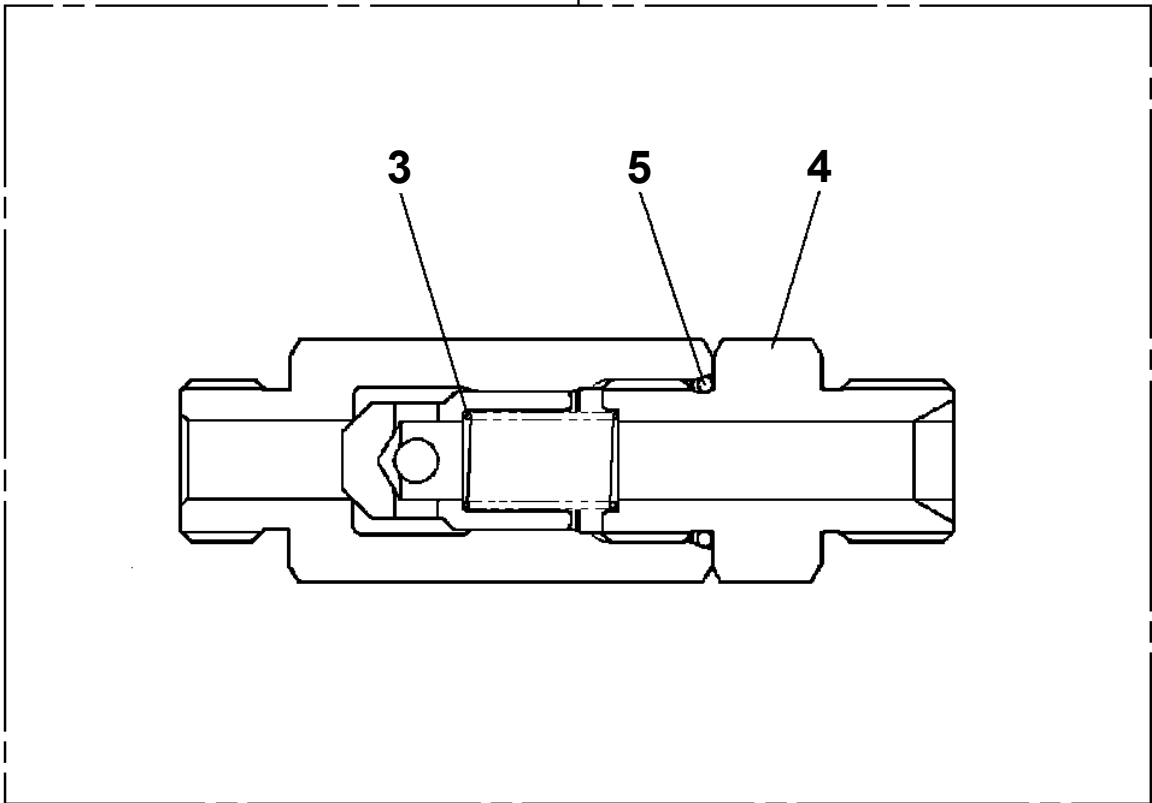
CLICK HERE TO **DOWNLOAD** THE COMPLETE MANUAL

AT-146-2A 42095960400 LOWER, TOYOTA BDG-XZU354H-TKMSD6  
PB1411631-00 PIPING, LOWER



**AT-146-2A 42095960400 LOWER,TOYOTA BDG-XZU354H-TKMSD6  
PI1140188-00 VALVE,CHECK**

**50**



**AT-146-2A 42095960400 LOWER,TOYOTA BDG-XZU354H-TKMSD6**

Pos No.	Parts No	Parts Name	Qty	Unit	Technical Data	Serial No (Start)	Serial No (End)	Remarks	Pages
1	42932890100	HARNESS	1						000010
2	82100002596	RELAY	1						

**AT-146-2A 42095960400 LOWER,TOYOTA BDG-XZU354H-TKMSD6**

Pos No.	Parts No	Parts Name	Qty	Unit	Technical Data	Serial No (Start)	Serial No (End)	Remarks	Page
50	36652335010	GASKET	2						
51	36652335020	GASKET	2						
54	53063551010	SEAL,OIL	1						
55	80602110360	RING,RITAINING	1		R36				
100	36652840000	PUMP,OIL (32CC:L)	1						

# AT-146-2A 42095960400 LOWER,TOYOTA BDG-XZU354H-TKMSD6

Pos No.	Parts No	Parts Name	Qty	Unit	Technical Data	Serial No (Start)	Serial No (End)	Remarks
1	91810130240	FASTENER	10					
2	90186208014	BOLT,FLANGE	8		M8X14			
3	42809400100	SUPPORT	1					
4	42809400200	SUPPORT	1					
5	90186206016	BOLT,FLANGE	6		M6X16			
6	90280200800	NUT,FLANGE	2		M8			
7	42808940100	SUPPORT	1					
13	42807330100	SUPPORT	1					
14	42807330200	SUPPORT	1					
15	90201200500	NUT	8		M5			
16	90302040501	WASHER,SPRING	8		5			
17	42807380100	HARNESS	1		L=600			
18	42808000200	HARNESS	2					
19	82111101510	TERMINAL	4					
20	82121101085	PLUG (AVS0.85)	8					
21	82111101010	TERMINAL	4					
22	82114102020	CONNECTOR	2					
23	82121102020	HOLDER	4					
24	82114101020	CONNECTOR (2P,MALE)	2					

CLICK HERE TO **DOWNLOAD** THE COMPLETE MANUAL

- Thank you very much for reading the preview of the manual.
- You can download the complete manual from: [www.heydownloads.com](http://www.heydownloads.com) by clicking the link below



- Please note: If there is no response to CLICKING the link, please download this PDF first and then click on it.

CLICK HERE TO **DOWNLOAD** THE COMPLETE MANUAL