

AT-141-1 4204310027 UPPER

PD2000101-00 SWING UNIT

PG2000113-00 BOOM UNIT

PH1000545-00 SAFETY DEVICES (MOMENT LIMITER)

PJ3000358-00 BUCKET SYSTEM

PK2001412-00 FRAME UNIT

PO1000149-00 INDICATION PLATES

PY1000850-01 OPTIONS,1

PY1000851-01 OPTIONS,2

PY1001556-00 OPTIONS,3

ASSEMBLY

CLICK HERE TO **DOWNLOAD** THE COMPLETE MANUAL

- Thank you very much for reading the preview of the manual.
- You can download the complete manual from: www.heydownloads.com by clicking the link below



- Please note: If there is no response to CLICKING the link, please download this PDF first and then click on it.

CLICK HERE TO **DOWNLOAD** THE COMPLETE MANUAL

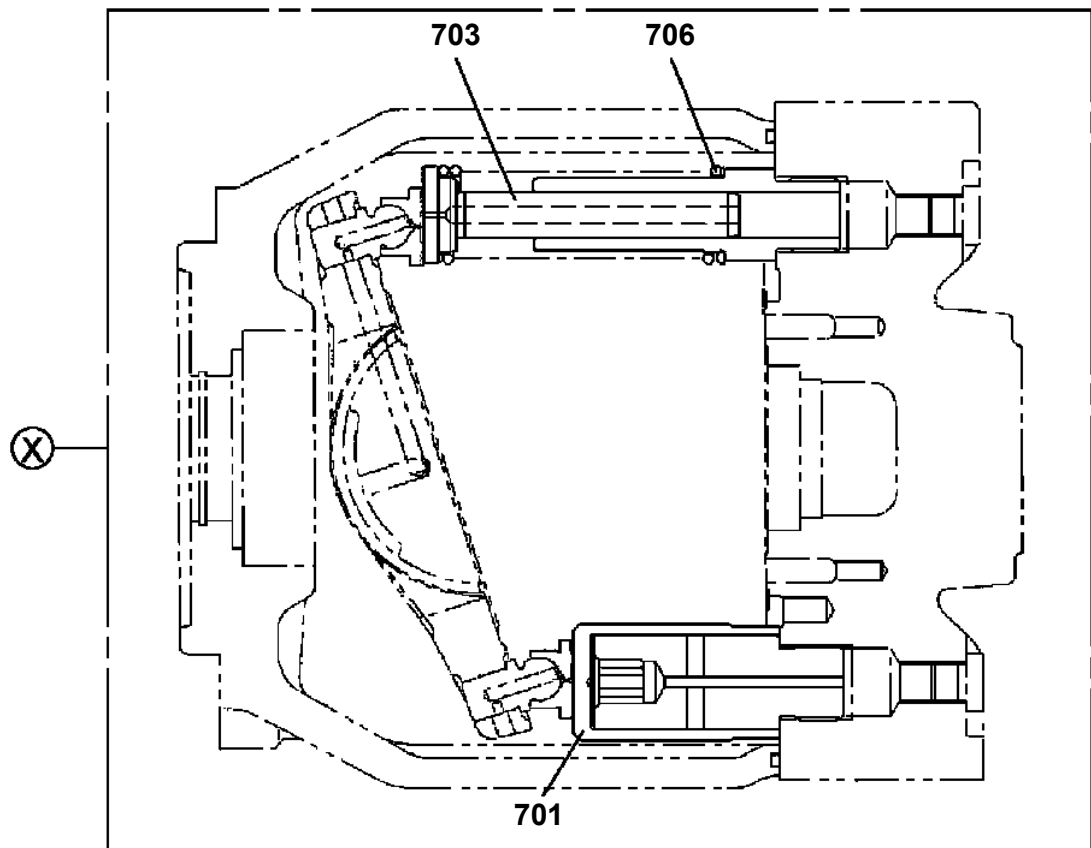
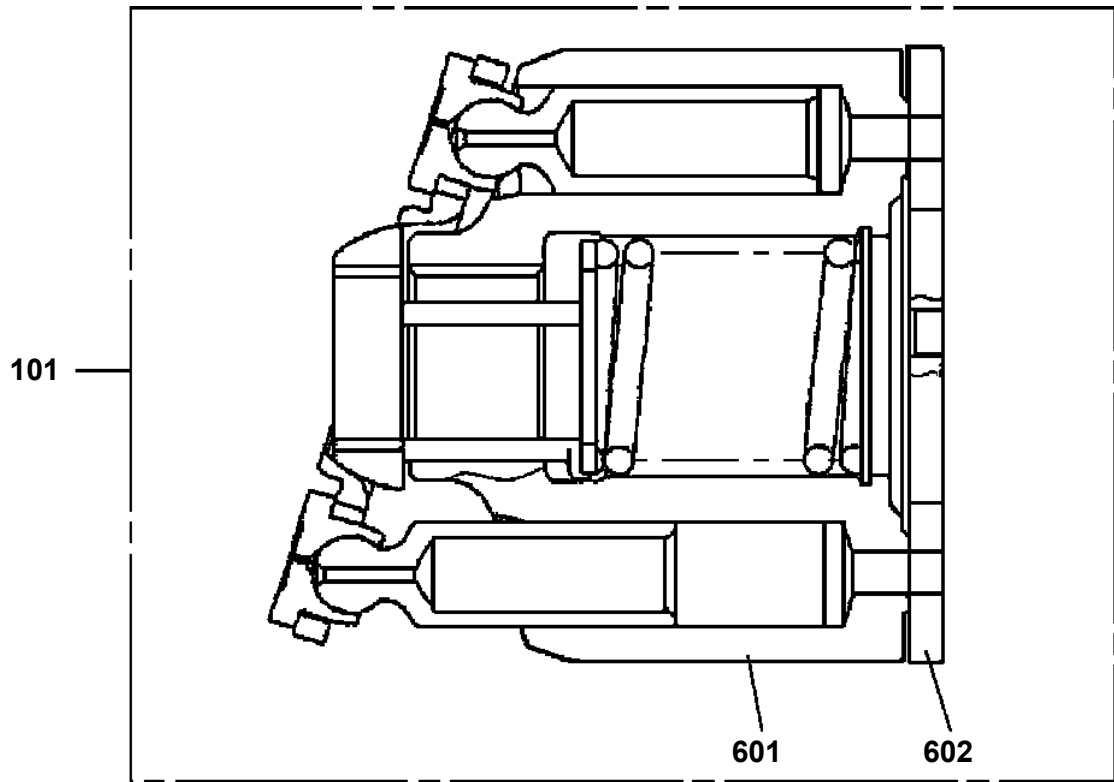
AT-141-1 4204310027 UPPER

Pos No.	Parts No	Parts Name	Qty	Unit	Technical Data	Serial No (Start)	Serial No
1	(*****)	FRAME (WITH ENGINE UNIT)	1				225478
	(*****)	FRAME (WITH ENGINE UNIT)	1			225479	226288
	(*****)	FRAME	1			226289	
2	(*****)	OUTRIGGER (FRONT)	1				
3	(*****)	OUTRIGGER (REAR)	1				
4	(*****)	PIPING,LOWER (FRAME)	1				225634
	(*****)	PIPING,LOWER (FRAME)	1			225635	
5	(*****)	OPE.ASSY,OUTRIGGER	1				
6	(*****)	ELEC.ASSY (SUB FRAME)	1				
7	(*****)	TANK,OIL (SUPPORT)	1				
9	(*****)	POWER SUPPLY (MOUNT,EMERGENCY PUMP)	1				
31	(*****)	POWER SUPPLY (ENGINE)	1				226288
	(*****)	POWER SUPPLY (ENGINE,MOUNT)	1			226289	
33	(*****)	POWER SUPPLY (DRAIN)	1				226288
	(*****)	POWER SUPPLY (DRAIN)	1			226289	
34	(*****)	POWER SUPPLY (STARTER)	1				226288
	(*****)	POWER SUPPLY (WIRING)	1			226289	
35	(*****)	POWER SUPPLY (COVER)	1				226288
	(*****)	POWER SUPPLY (COVER,ENGINE)	1			226289	

AT-141-1 42043100027 UPPER

PB1100101-02 PUMP,HYDRAULIC (EMERGENCY)
PB1100380-01 PUMP,HYDRAULIC
PB1110061-00 MOUNT,PUMP
PB1130001-05 TANK,OIL
PB1130071-02 TANK,OIL (SUPPORT)
PB1130132-04 TANK,OIL
PB1300106-05 JOINT,ROTARY
PB1320001-00 VALVE,MANUAL CONTROL
PB1320205-00 VALVE,MANUAL CONTROL (BUCKET)
PB1320209-03 VALVE,MANUAL CONTROL (OUTRIGGER)
PB1320279-00 VALVE,MANUAL CONTROL (BUCKET)
PB1320297-00 VALVE,MANUAL CONTROL
PB1370008-00 POWER SUPPLY (ENGINE)
PB1370010-00 POWER SUPPLY (DRAIN)
PB1370011-02 POWER SUPPLY (STARTER)
PB1370012-00 POWER SUPPLY (COVER)
PB1370073-00 POWER SUPPLY (DRAIN)
PB1370074-00 POWER SUPPLY (COVER,ENGINE)
PB1370079-02 POWER SUPPLY (WIRING)
PB1370082-04 POWER SUPPLY (EXHAUST)
PB1370084-04 POWER SUPPLY (WIRING)
PB1370085-04 POWER SUPPLY (COVER)
PB1380024-02 POWER SUPPLY (MOUNT,EMERGENCY PUMP)
PB1380038-06 POWER SUPPLY (ENGINE TYPE)
PB1380356-00 POWER SUPPLY (ENGINE)
PB1380357-00 POWER SUPPLY (PIPING)
PB1380359-00 POWER SUPPLY (ENGINE,MOUNT)
PB1400113-05 PIPING,HYDRAULIC UPPER
PB1400398-00 PIPING,UPPER
PB1410272-05 PIPING,LOWER (FRAME)
PB1410675-01 PIPING,LOWER (FRAME)
PC1010187-01 OUTRIGGER (REAR)
PC1010386-01 OUTRIGGER (FRONT)
PC1030032-04 CYLINDER,JACK
PC1050069-01 CYLINDER,EXTENSION (FRONT)
PC1050071-02 CYLINDER,EXTENSION (REAR)
PC1100091-04 OPE.ASSY,OUTRIGGER
PC1190004-01 INDICATOR,OUTRIGGER
PC1190016-00 INDICATOR,OUTRIGGER
PC5040001-00 CABLE ASSY,CONTROL
PD1010048-01 REDUCER,SWING SPEED
PD1010049-00 REDUCER,SWING SPEED
PD1010105-01 REDUCER,SWING SPEED
PD1010106-01 REDUCER,SWING SPEED
PE1010146-00 CYLINDER,ELEVATING
PE1010154-01 CYLINDER,ELEVATING
PE1050007-04 CYLINDER,LEVELING (UPPER)
PE1050009-06 CYLINDER,LEVELING (LOWER)
PF1010091-01 WINCH (1-PART LINE)
PF1050152-00 HOOK (1-PART LINE)
PF1200139-01 PIPING,WINCH
PF1350013-02 WINCH,JIB (FRP)
PF1350014-04 WINCH,JIB (SUPPORT. MANUAL JIB)
PF1350017-02 WINCH,JIB (FRP.INSULATION)
PF1360001-02 CYLINDER,WINCH JIB (MANUAL)
PF1400139-02 MOUNT,WINCH (MANUAL JIB)
PG1010243-03 BOOM
PG1050148-04 CYLINDER,TELESCOPING
PG1120065-02 DETECTOR SYSTEM, BOOM LENGTH
PG1130062-00 DETECTOR,BOOM LENGTH
PG1200070-04 PIPING,TELESCOPING
PG1410018-01 COVER,BOOM
PG1410022-01 COVER,BOOM
PG1410023-01 COVER,BOOM

AT-141-1 42043100027 UPPER
PB1100380-01 PUMP, HYDRAULIC



展開圖有
ILLUSTRATED BREAKDOWN NO. 601

AT-141-1 4204310027 UPPER

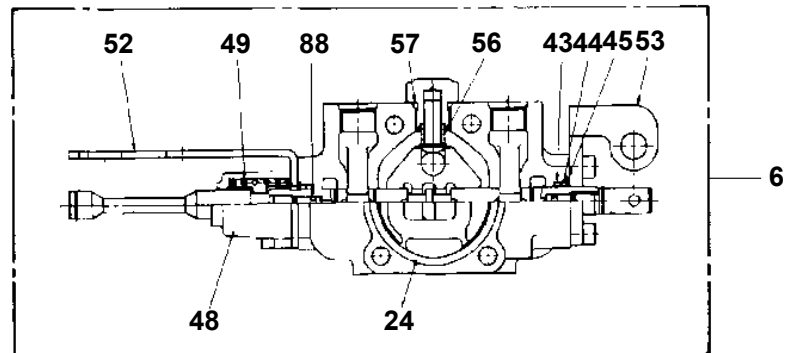
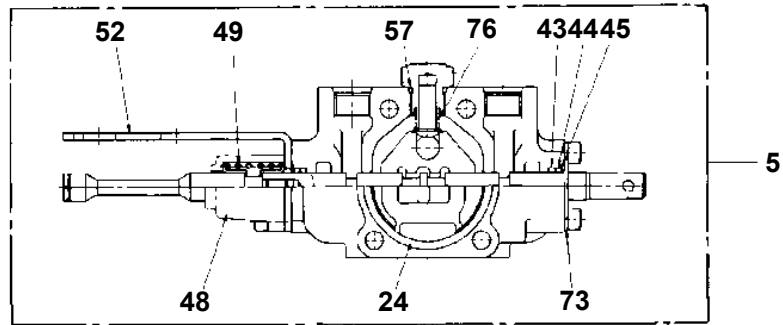
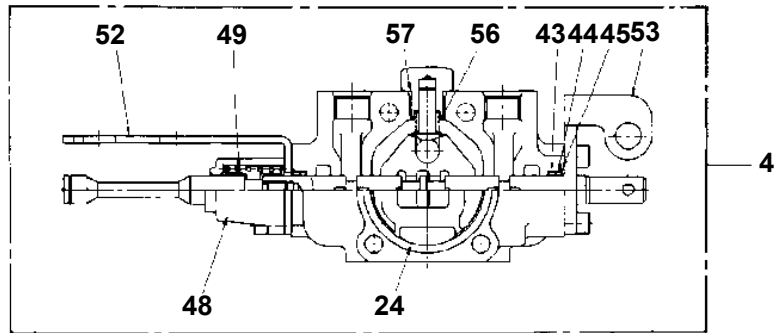
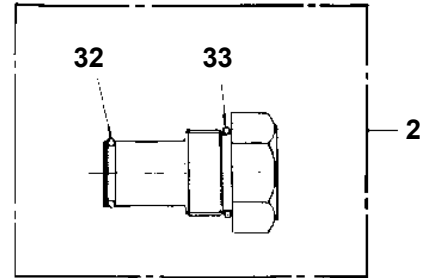
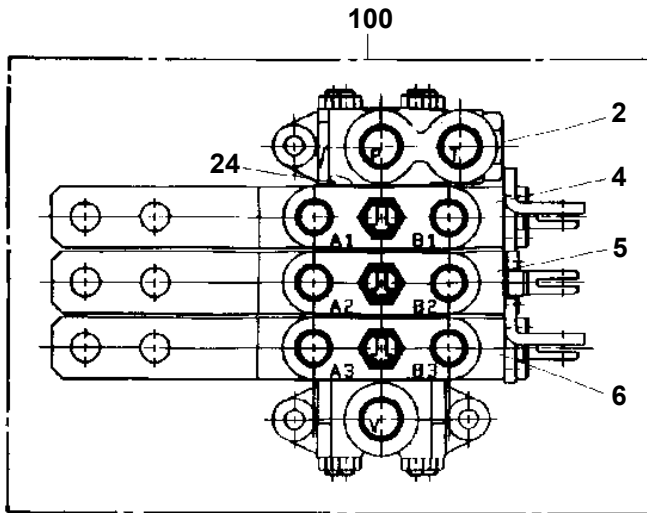
Pos No.	Parts No	Parts Name	Qty	Unit	Technical Data	Serial No (Start)	Serial No (End)	Remarks	Pages
2	56560009000	PIN	2						
3	80136330025	PIN,SPLIT	2						
4	90303071201	WASHER,PLAIN	2		12				
5	90101512025	BOLT	6		M12X25				
6	90302041201	WASHER,SPRING	6		12				
7	42880550100	BAND	2						
9	90201201000	NUT	4		M10				
10	36100240000	TANK,OIL	1				225976		000014
	36102120000	TANK,OIL	1			225977			000016
11	90301021001	WASHER	2						
12	42880552001	SUPPORT	1						

AT-141-1 4204310027 UPPER

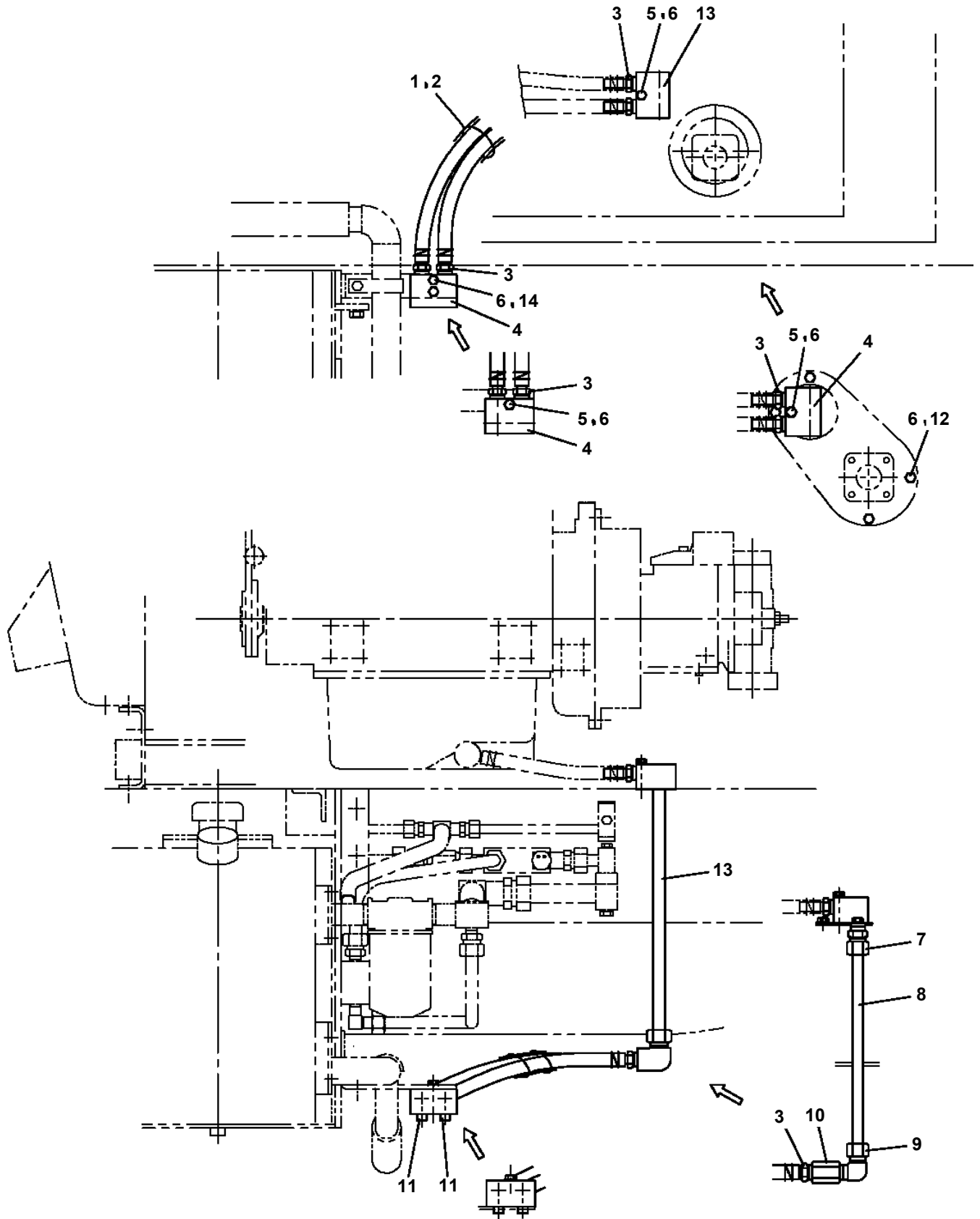
Pos No.	Parts No	Parts Name	Qty	Unit	Technical Data	Serial No (Start)	Serial No (End)	Remarks
1	90101208016	BOLT	2		M8X16			
2	90302040801	WASHER,SPRING	2		8			
5	36630910060	NEEDLE	1					
6	36630910030	HOLDER	1					
7	91002801000	O-RING	1		1B P10			
8	91410001000	RING,BACKUP	1		P10			
9	36630910040	BODY	1					
10	36630910050	POPPET	1					
11	52255101000	SPRING	1					
12	91002801400	O-RING	1		1B P14			
13	36620030050	PLUG	1					
14	82400000350	KNOB	1					
15	37000508510	PLATE	1					
16	80172303006	SCREW,MACHINE	1		M3X6			
20	36630910000	VALVE,MANUAL CONTROL	1					

AT-141-1 42043100027 UPPER
PB1320297-00 VALVE, MANUAL CONTROL

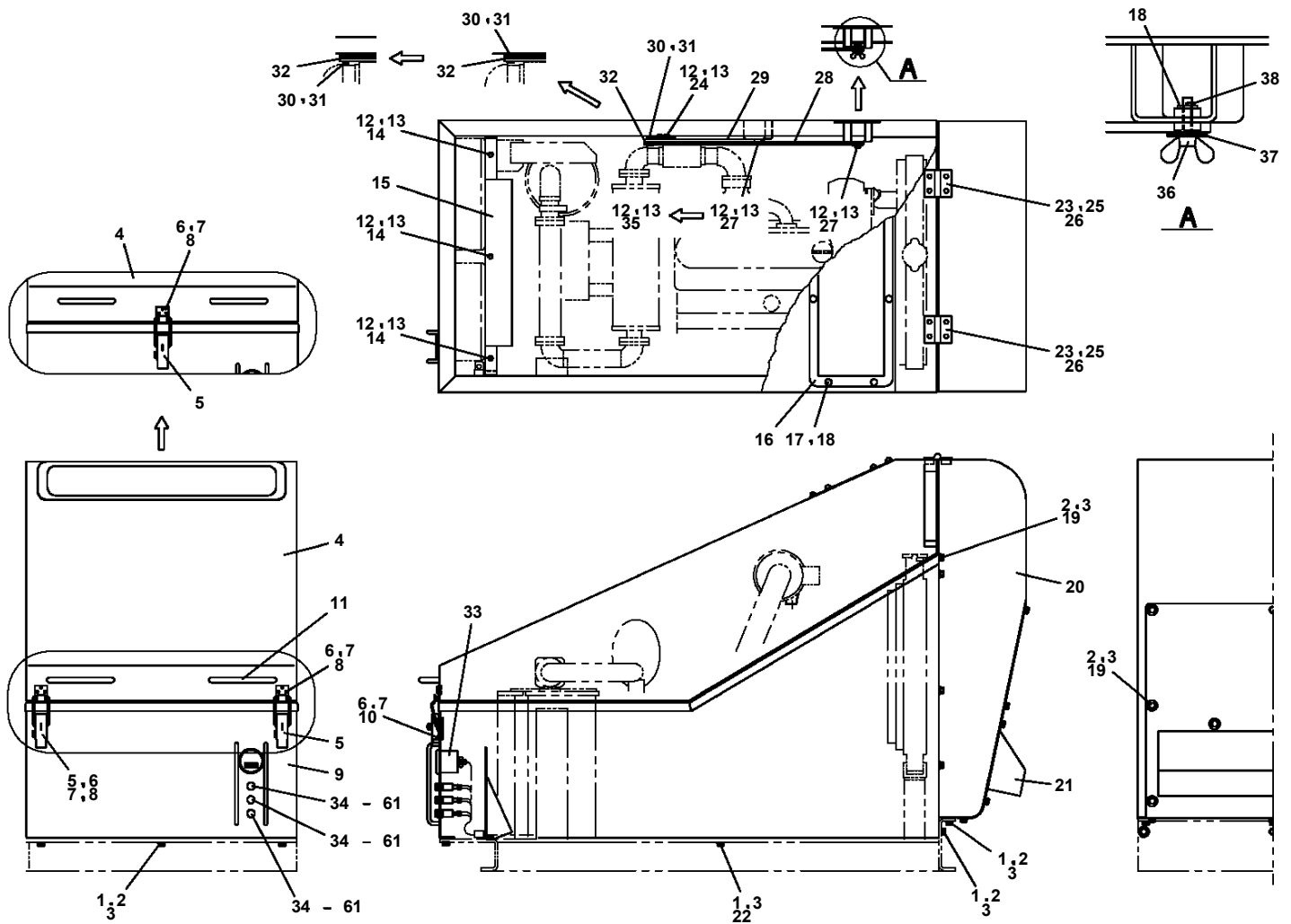
Assembly Name VALVE, MANUAL CONTROL



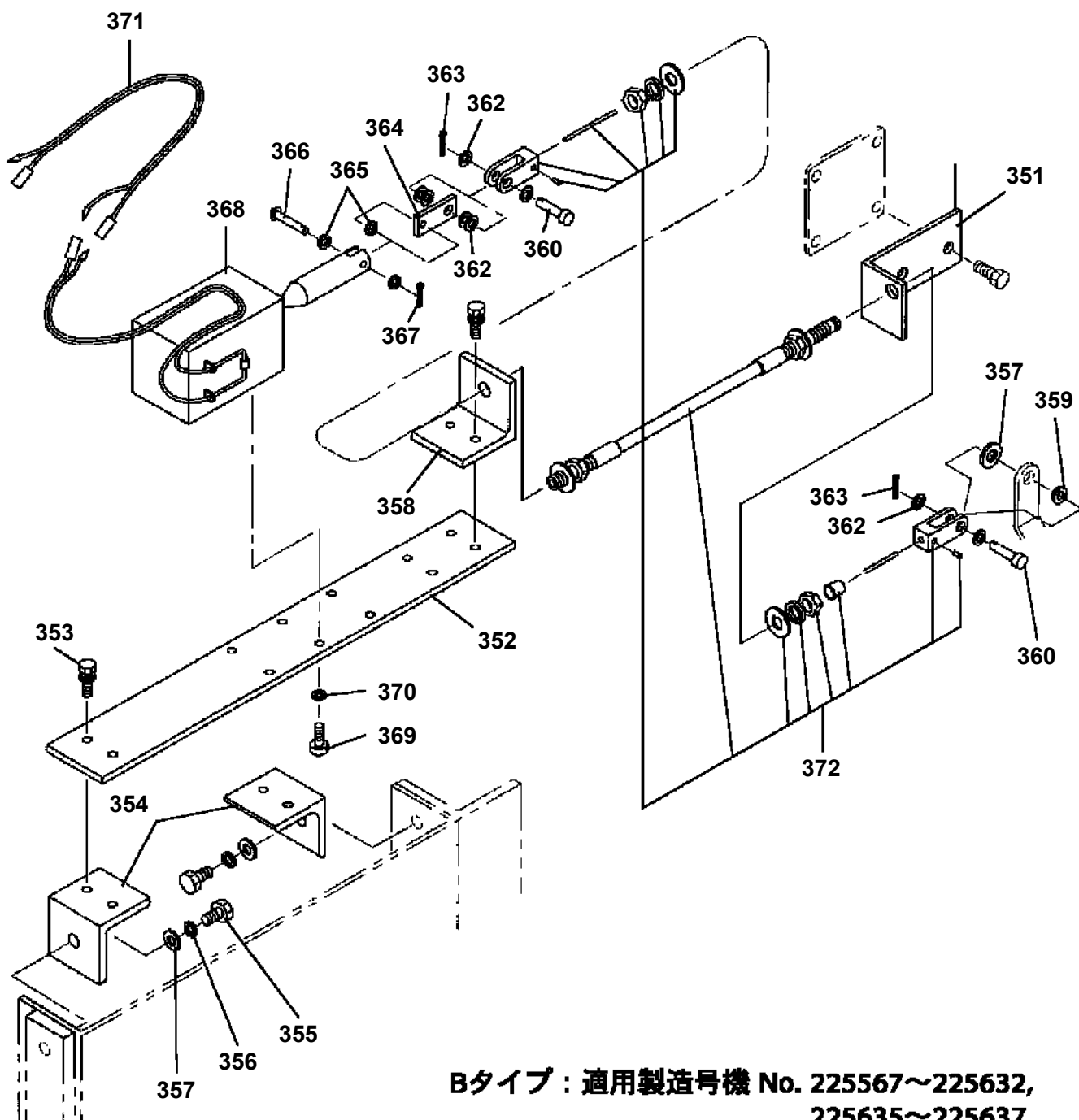
AT-141-1 42043100027 UPPER
PB1370073-00 POWER SUPPLY (DRAIN)



**AT-141-1 42043100027 UPPER
PB1370085-04 POWER SUPPLY (COVER)**



**AT-141-1 42043100027 UPPER
PB1380038-06 POWER SUPPLY (ENGINE TYPE)**



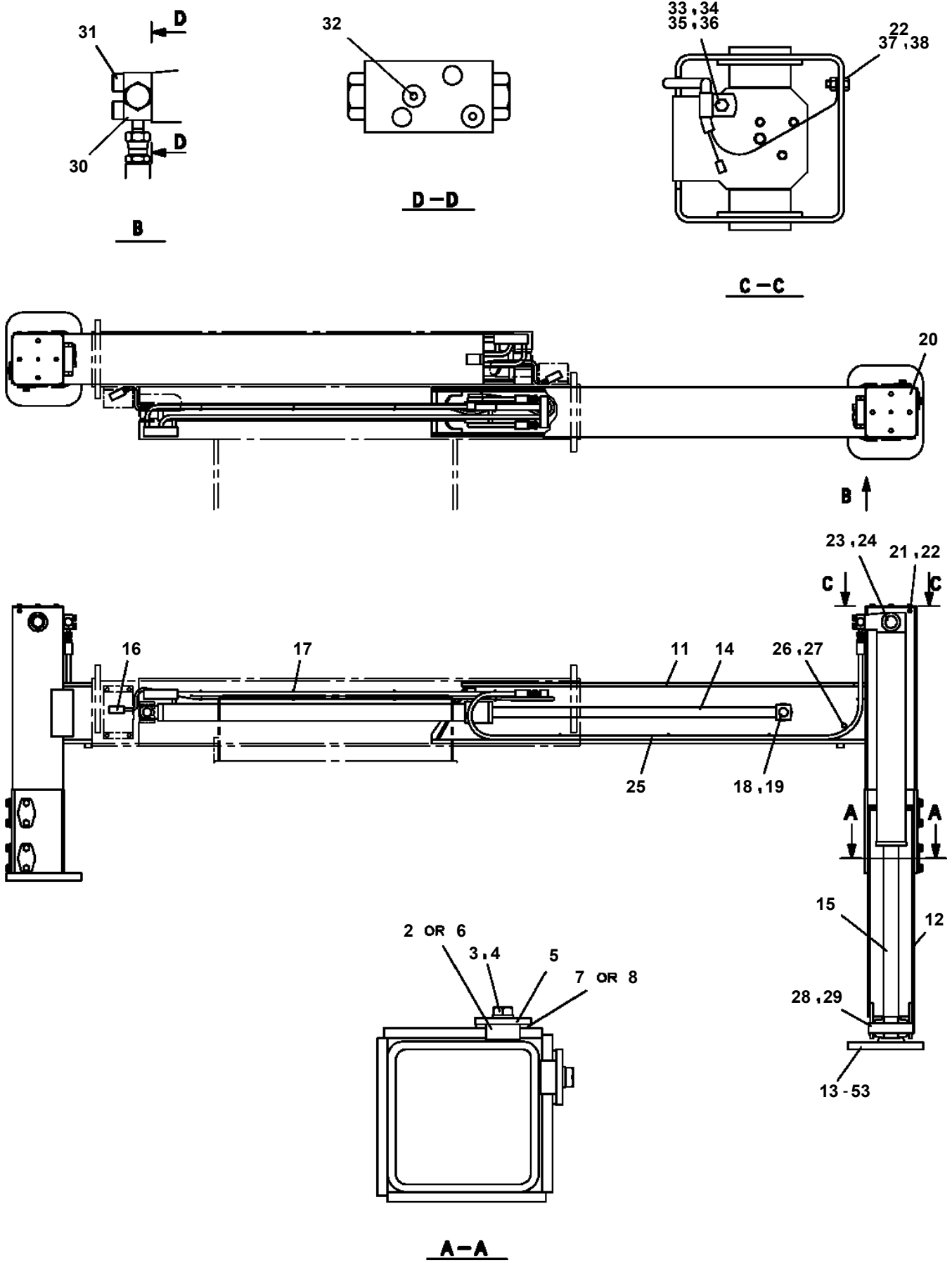
**Bタイプ : 適用製造号機 No. 225567~225632,
225635~225637**

**B Type : Applicable Serial No. 225567 ~225632,
225635 ~225637**

AT-141-1 4204310027 UPPER

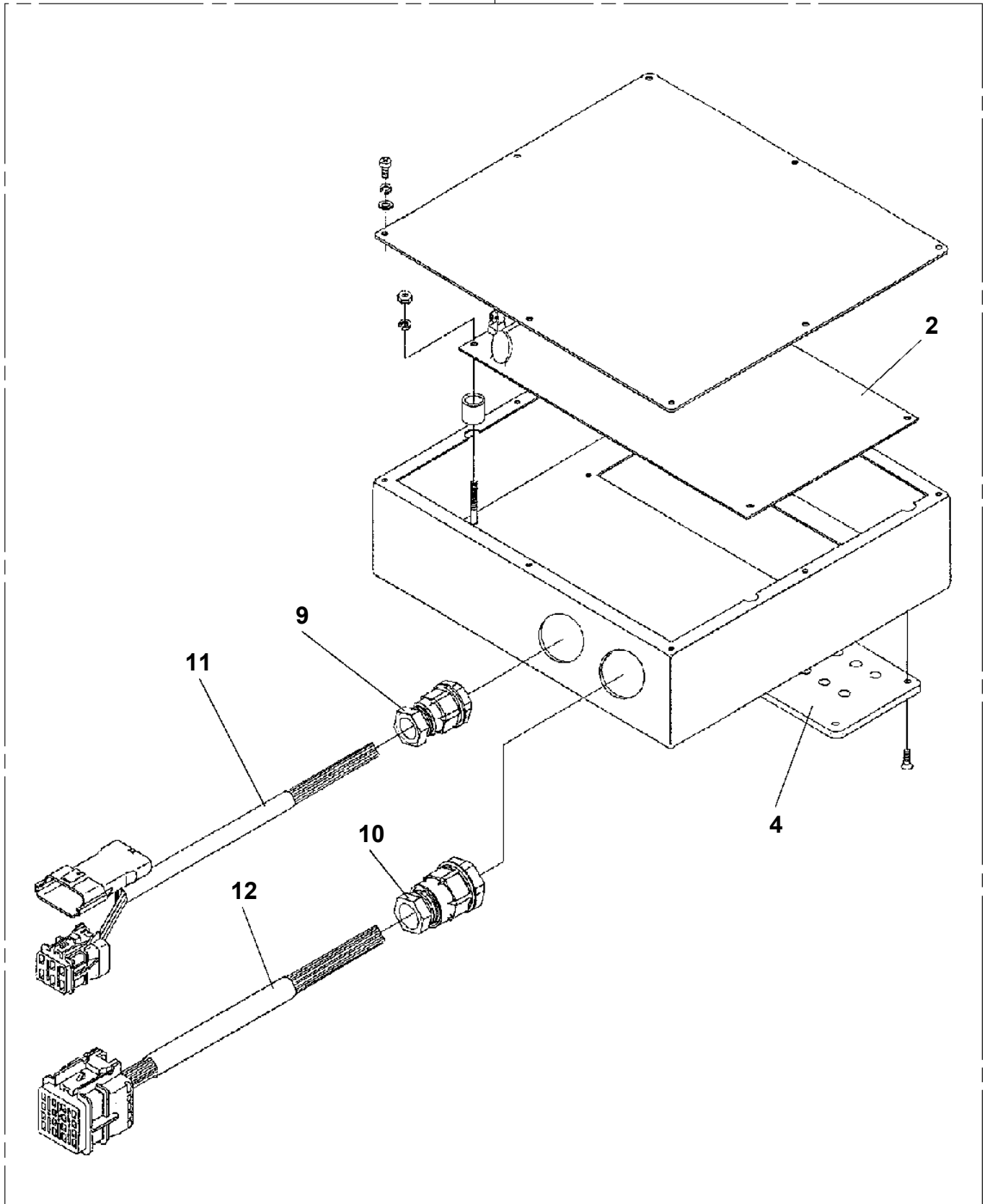
Pos No.	Parts No	Parts Name	Qty	Unit	Technical Data	Serial No (Start)	Serial No (End)	Remarks
1	42420383200	SUPPORT	1					
2	90103210020	BOLT	4		M10X20			
3	90302041001	WASHER,SPRING	4		10			
4	90101208020	BOLT	7		M8X20			
5	90302040801	WASHER,SPRING	16		8			
6	80182308030	SCREW,MACHINE	1		M8X30			
7	90201200800	NUT	4		M8			
8	42420383400	SUPPORT	1					
9	90171108016	BOLT	3		M8X16			
10	82100001803	TUBE,CORRUGATE	3	M	13			
11	82100001802	TUBE,CORRUGATE	2	M	10			
12	37002487750	HOSE	1		L=1220			
13	37002402160	HOSE	1		L=1150			
14	80430620800	JOINT	1					
15	82400000118	CLAMP	1		L=80			
16	42420383500	FITTING,FLANGE	1					
18	91002801400	O-RING	2		1B P14			
20	82100002016	CLAMP	2		WR25			
21	82100002010	CLAMP	4		WR15			
22	90101206014	BOLT	10		M6X14			
23	90302040601	WASHER,SPRING	10		6			
24	82100002041	CLAMP	1					
26	37000911440	JOINT	1					
27	37002512280	HOSE	1		L=820			
28	91803600500	CLIP	4		D=35-50			
29	42420254030	JOINT	1					
30	37000924250	JOINT	1		PT3/8,D14			
31	37000908230	FITTING,FLANGE	1					
32	91002802400	O-RING	1		1B P24			
33	80400160129	JOINT	2					
34	80400160131	JOINT	1					
35	42420383010	SUPPORT	1					
36	82100002012	CLAMP	1		WR18			
37	91803600220	CLIP	1		D=16-22			
38	90172110025	BOLT,HEXAGON SOCKET	4		M10X25			
39	91002801800	O-RING	1		1B P18			
40	42420383020	SUPPORT	1					
41	80182308014	SCREW,MACHINE	2		M8X14			
42	90303070801	WASHER,PLAIN	2		8			
47	42420383300	CUSHION	2					
48	90191710030	BOLT	2		M10X30			
51	91002801800	O-RING	1		1B P18			
71	36360821200	FILTER ASSY	1					
72	36360941010	CLEANER,AIR	1					
73	36360941020	HOSE	1					
74	36360821210	RADIATOR ASSY	1					
75	36360821260	SUPPORT	1					
76	36360821250	TANK ASSY	1					
77	36360941040	BAND	1					
78	36360941050	CUSHION	1					
79	36360941030	BAND	1					
80	36360821230	HOSE	1					
81	36360821220	HOSE	1					
82	36360821240	CLAMP	4					
91	36360825010	ELEMENT,FILTER	1					
103	36360945010	ELEMENT,FILTER	1					

AT-141-1 42043100027 UPPER
PC1010386-01 OUTRIGGER (FRONT)

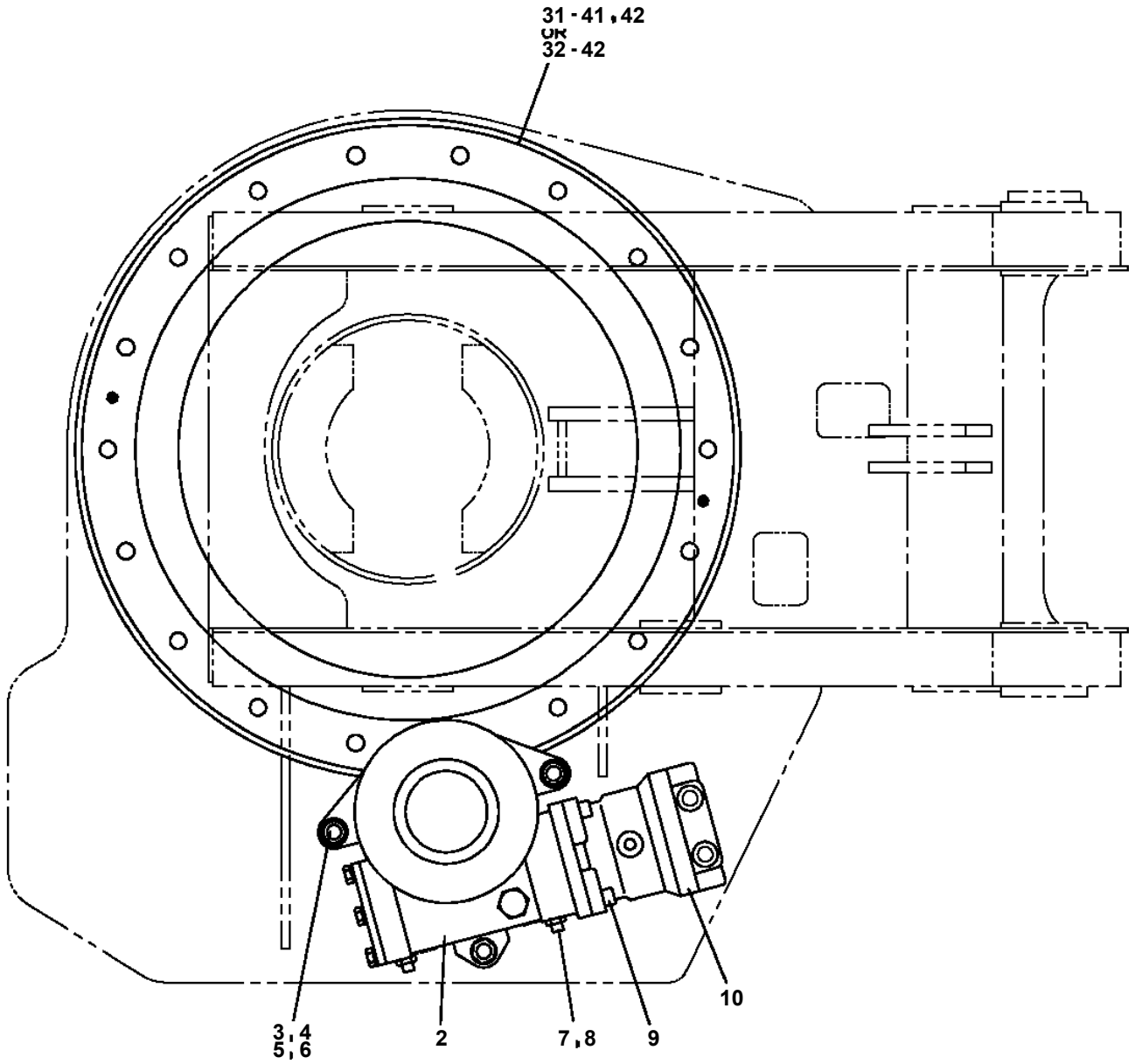


AT-141-1 42043100027 UPPER
PC1190004-01 INDICATOR,OUTRIGGER

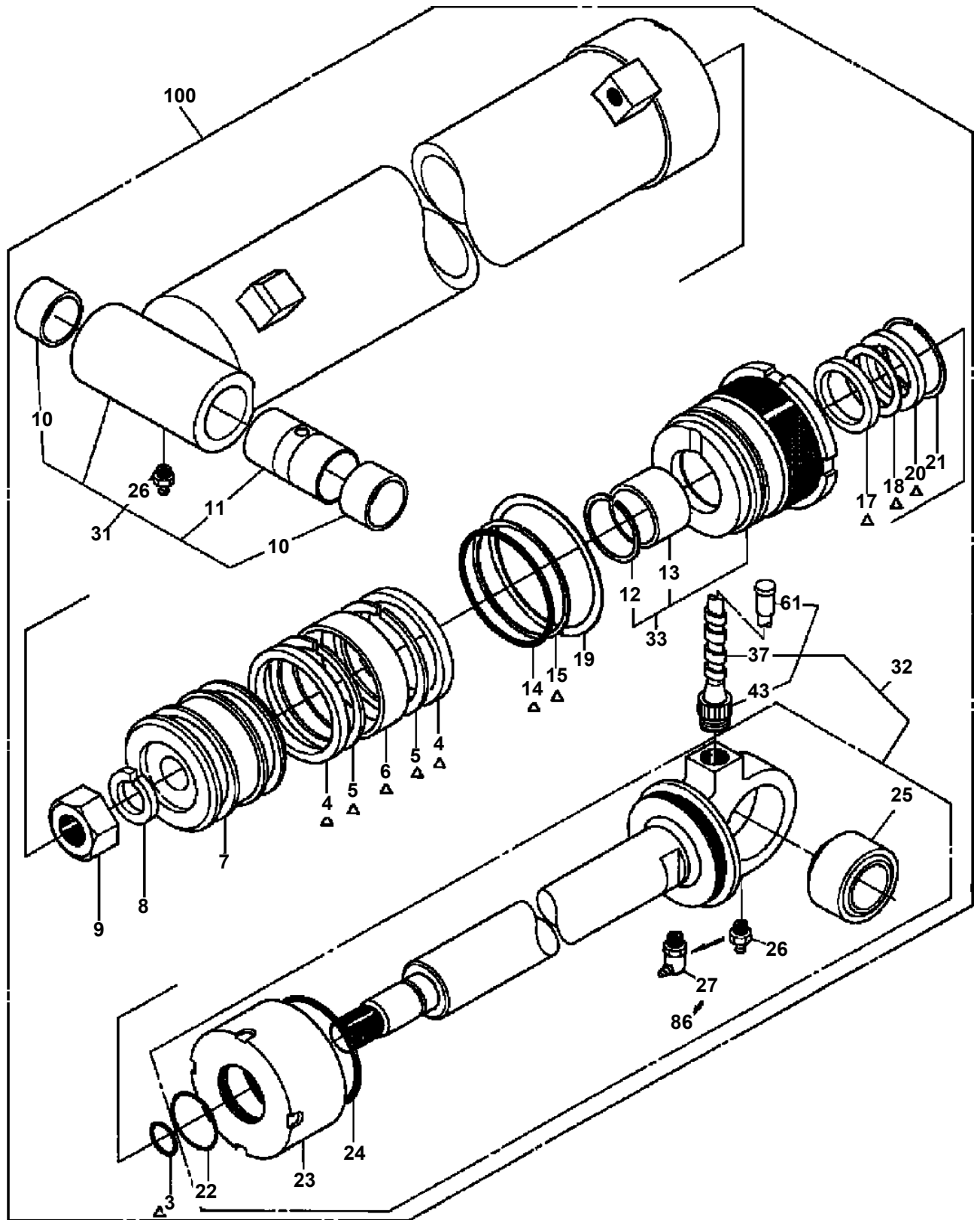
50



**AT-141-1 42043100027 UPPER
PD1010105-01 REDUCER, SWING SPEED**

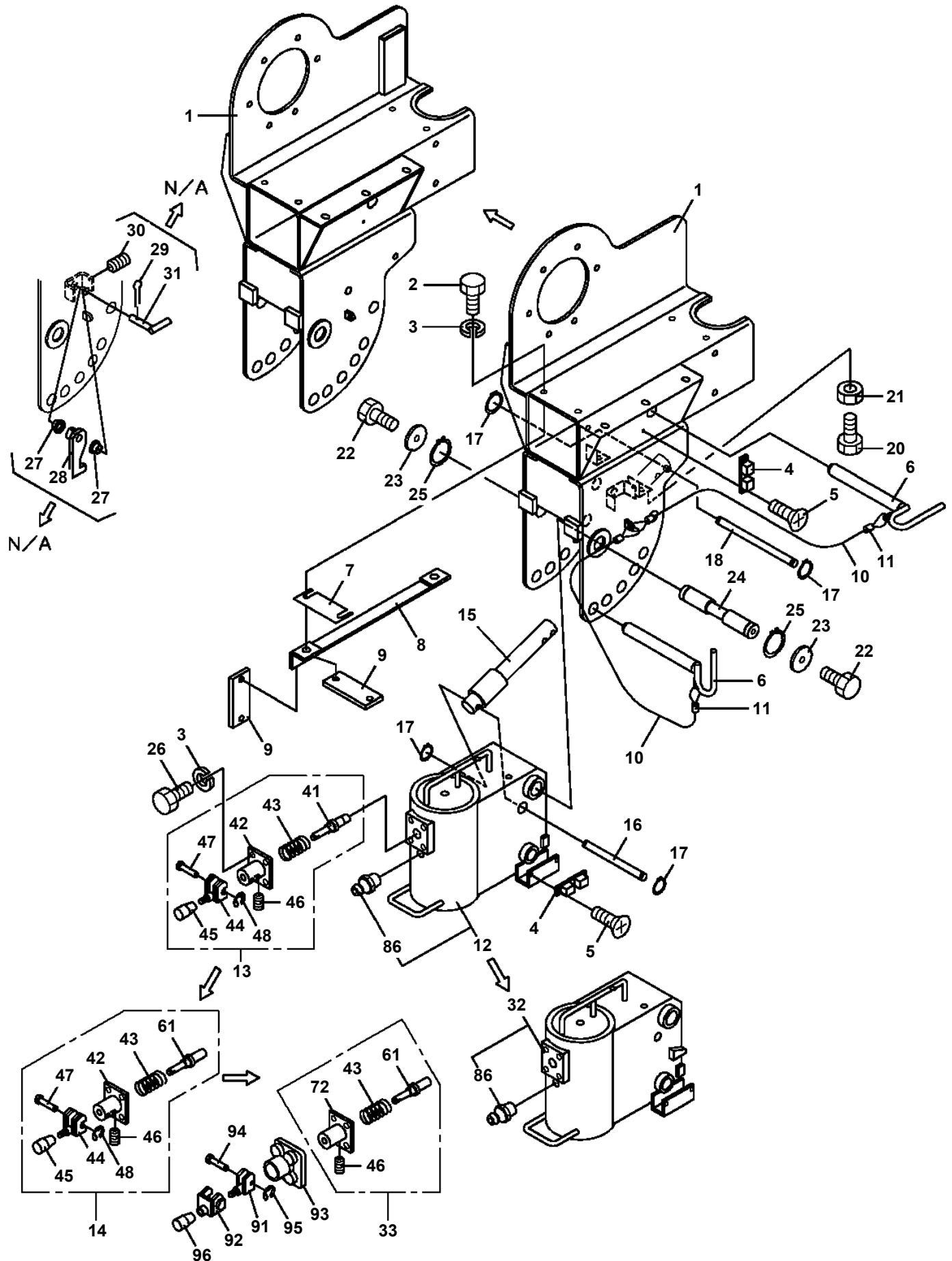


AT-141-1 42043100027 UPPER
 PE1050009-06 CYLINDER,LEVELING (LOWER)

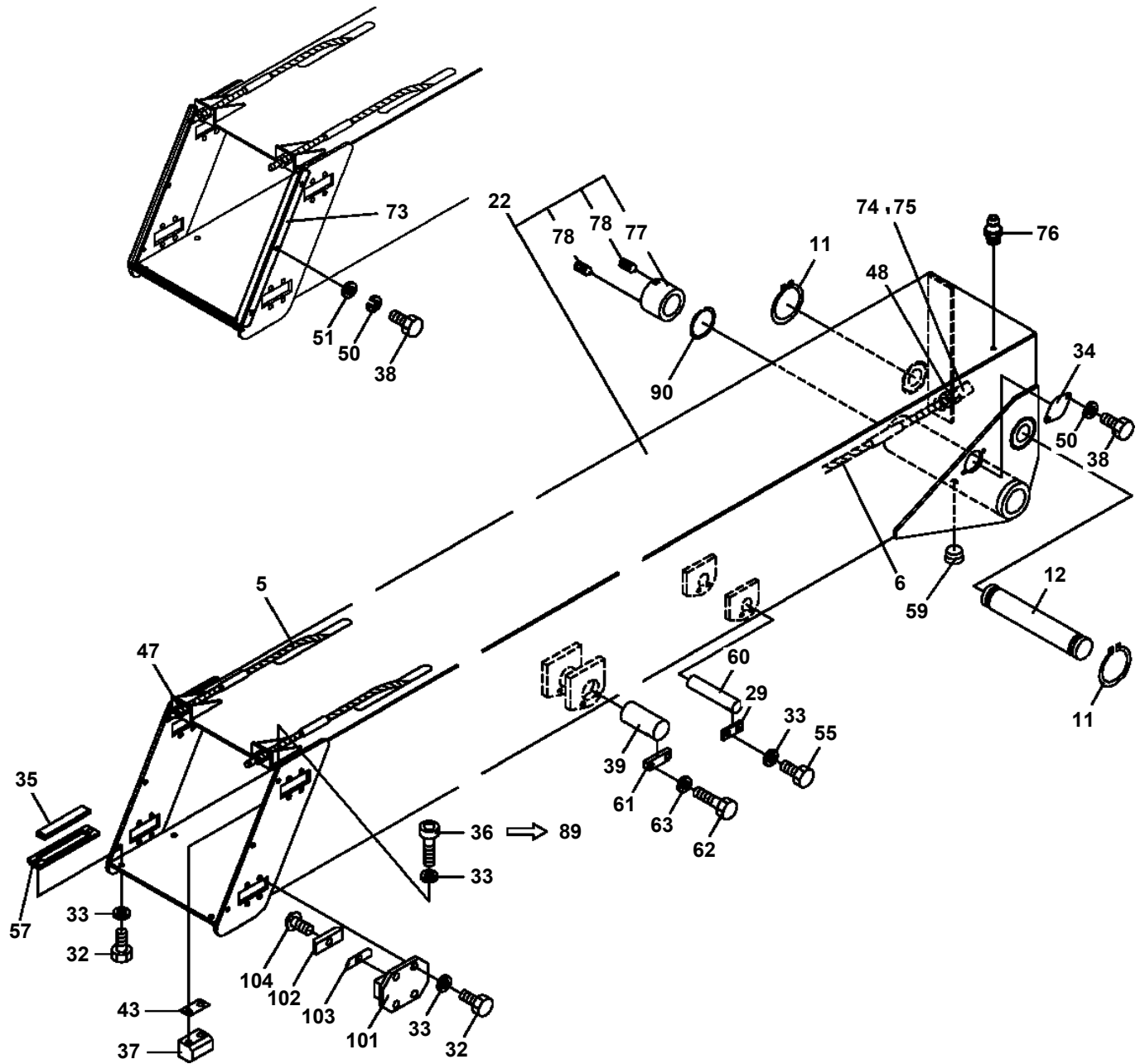


△ : PACKING SET KEY NO.91 (KEY NO.3, 4, 5, 6, 14, 15, 17, 18, 20)

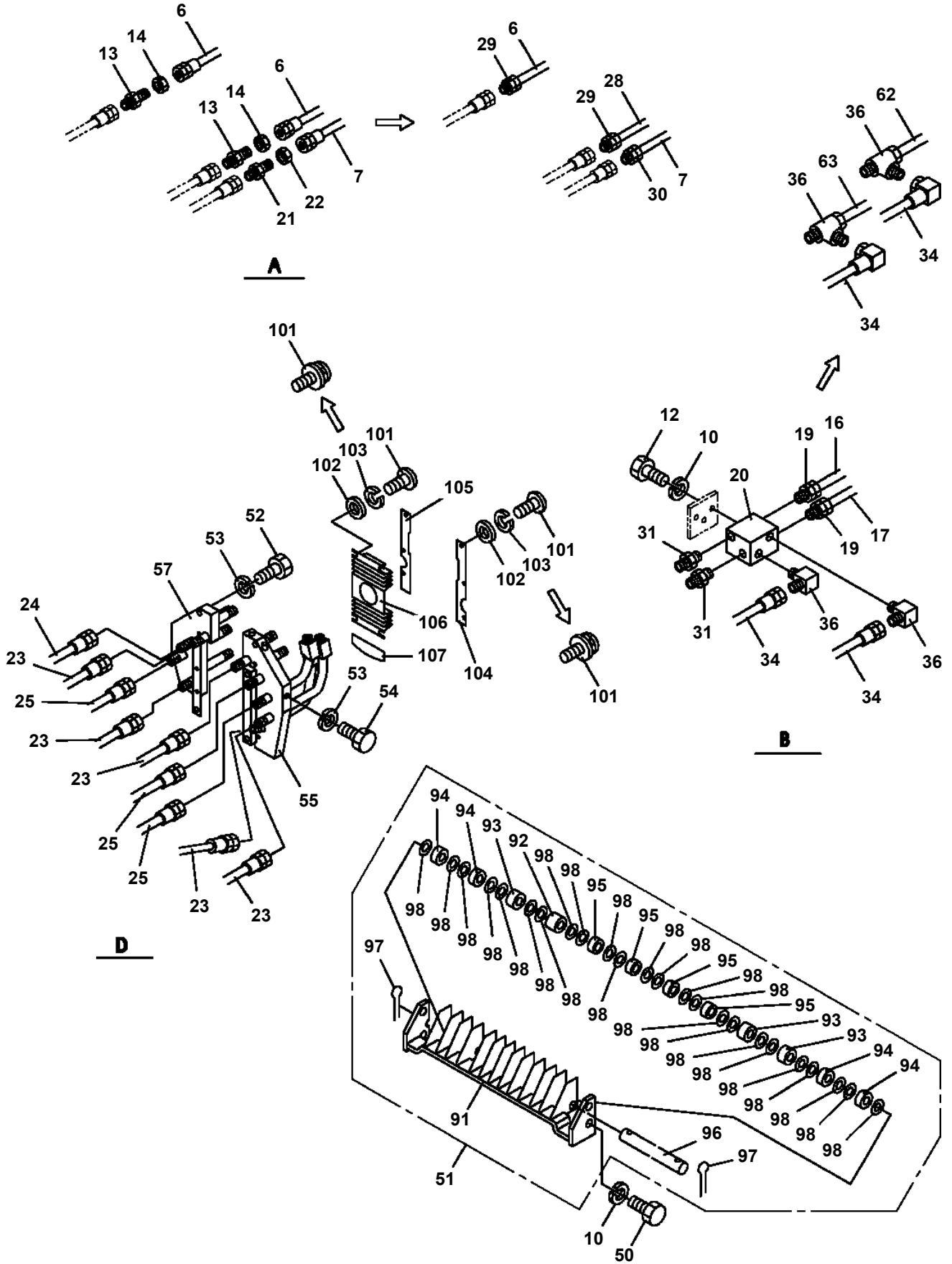
AT-141-1 42043100027 UPPER
PF1350014-04 WINCH, JIB (SUPPORT. MANUAL JIB)



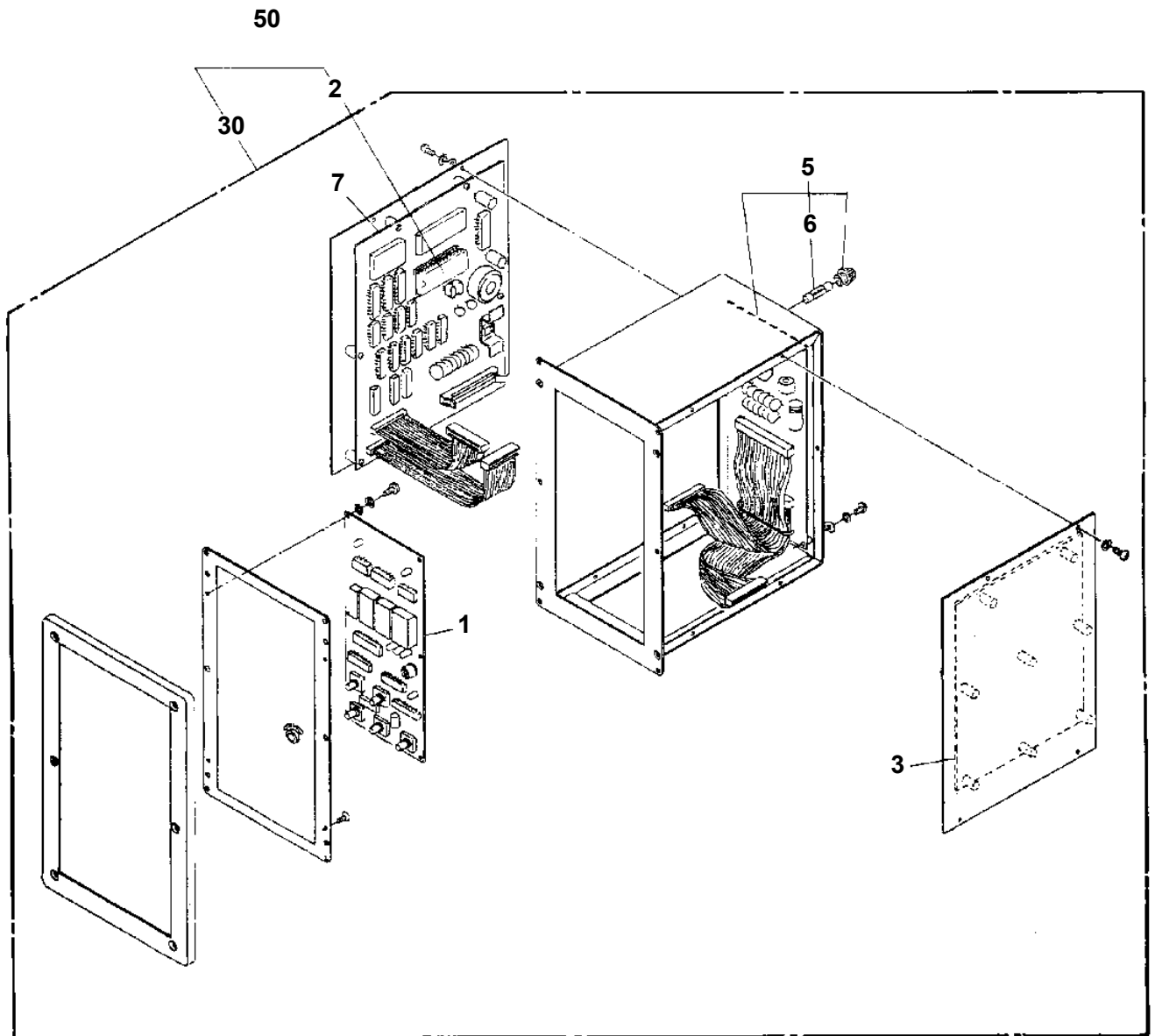
AT-141-1 42043100027 UPPER
PG1010243-03 BOOM



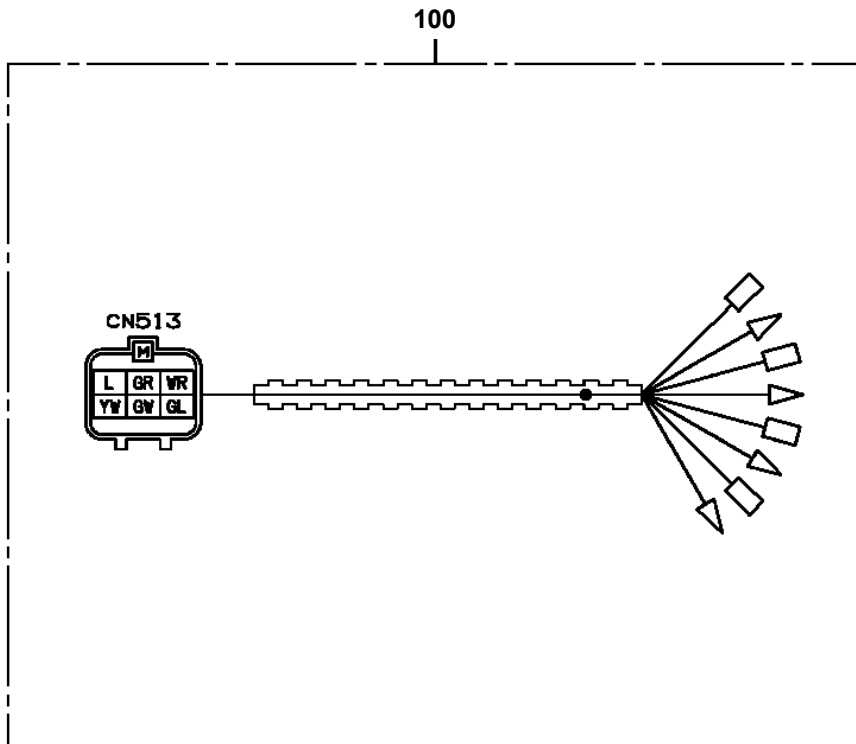
**AT-141-1 42043100027 UPPER
PG1200070-04 PIPING,TELESCOPING**



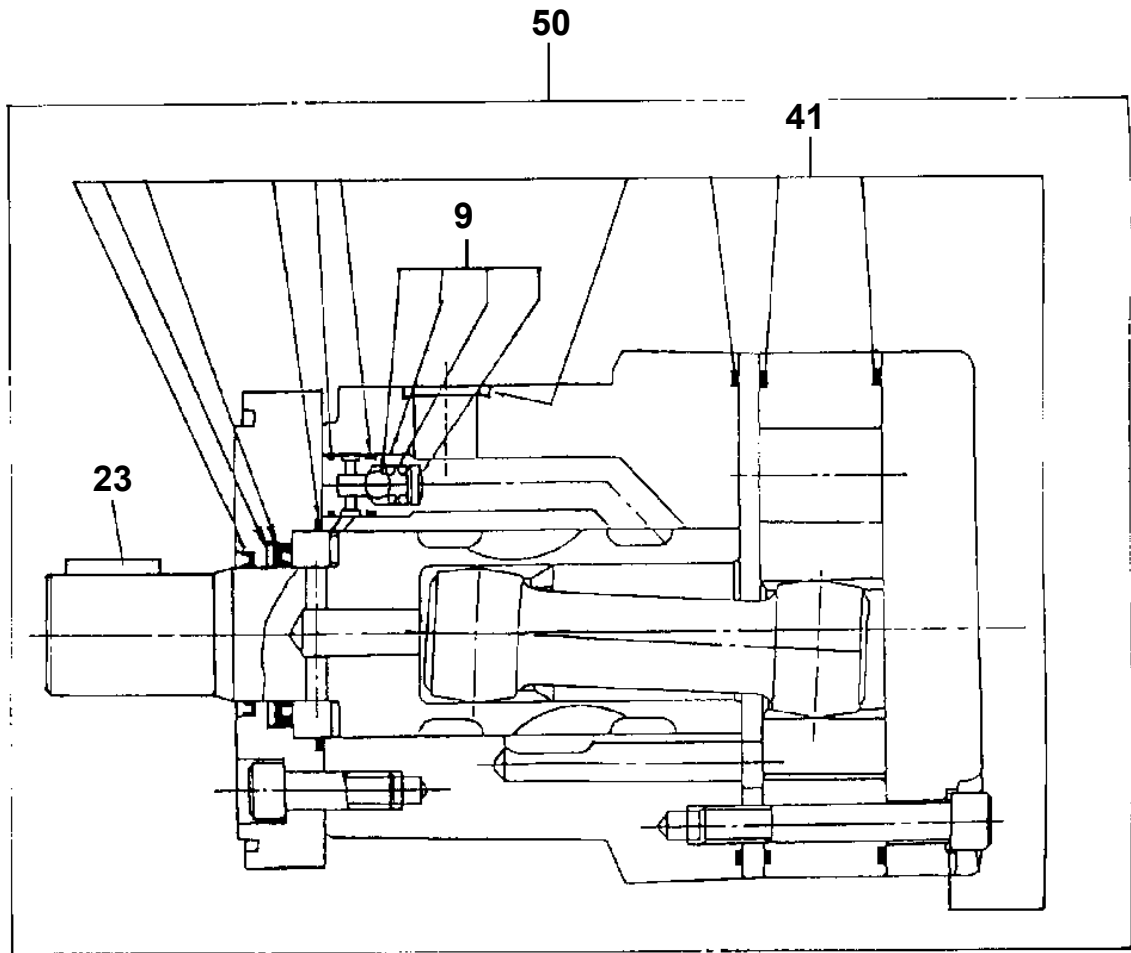
AT-141-1 42043100027 UPPER
PH1250015-00 MOMENT LIMITER (AML-AV)



AT-141-1 42043100027 UPPER
PH5032800-00 HARNESS



AT-141-1 42043100027 UPPER
PI1010062-00 MOTOR, HYDRAULIC (BUCKET SWING)



AT-141-1 42043100027 UPPER

Pos No.	Parts No	Parts Name	Qty	Unit	Technical Data	Serial No (Start)	Serial No (End)	Remarks	Pages
3	36640765100	O-RING	2						
4	36640765110	RING,BACKUP	2						
5	36601615010	SPRING	2						
6	36601615020	SHIM	N						
7	36601615030	PLUG	2						
8	91000591200	O-RING	2		AS568-912				
10	36601615040	SPRING	2						
11	36601615050	PLUG	2						
12	91000590800	O-RING	2		AS568-908				
20	36601610001	VALVE,RELIEF	1						

AT-141-1 42043100027 UPPER

Pos No.	Parts No	Parts Name	Qty	Unit	Technical Data	Serial No (Start)	Serial No (End)	Remarks	Pages
1	36620650000	VALVE,CHECK	1						
2	36620030050	PLUG	1						
4	91002801000	O-RING	1		1B P10				
5	52255101000	SPRING	1						
7	91002801400	O-RING	2		1B P14				
8	36620030010	PLUG	1		PF3/8				
9	91002801200	O-RING	2		1B P12				

AT-141-1 4204310027 UPPER

Pos No.	Parts No	Parts Name	Qty	Unit	Technical Data	Serial No (Start)	Serial No (End)	Remark
3	91002801400	O-RING	3		1B P14			
7	36601665020	SPRING	1					
10	91001001000	O-RING	1		1A S10			
11	36601665030	SPRING	1					
13	91002803400	O-RING	1		1B P34			
14	36601665050	O-RING	1		P25			
15	91410002500	RING,BACKUP	1		P25			
18	91002802600	O-RING	1		1B P26			
19	91001301600	O-RING	1		WP16			
20	91002801000	O-RING	1		1B P10			
21	91410001000	RING,BACKUP	1		P10			
50	36601660001	VALVE,COUNTERBALANCE	1					

CLICK HERE TO **DOWNLOAD** THE COMPLETE MANUAL

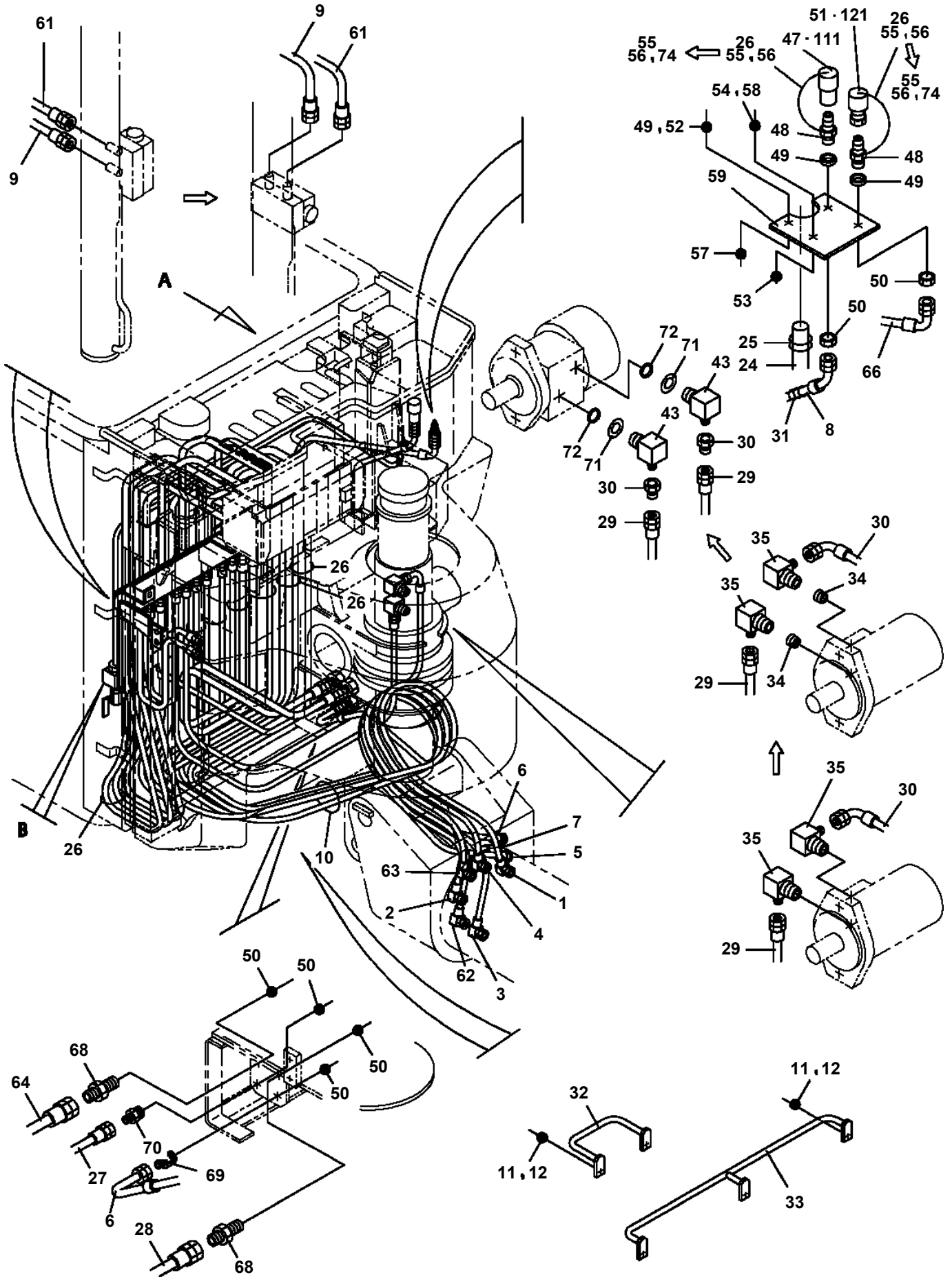
- Thank you very much for reading the preview of the manual.
- You can download the complete manual from: www.heydownloads.com by clicking the link below



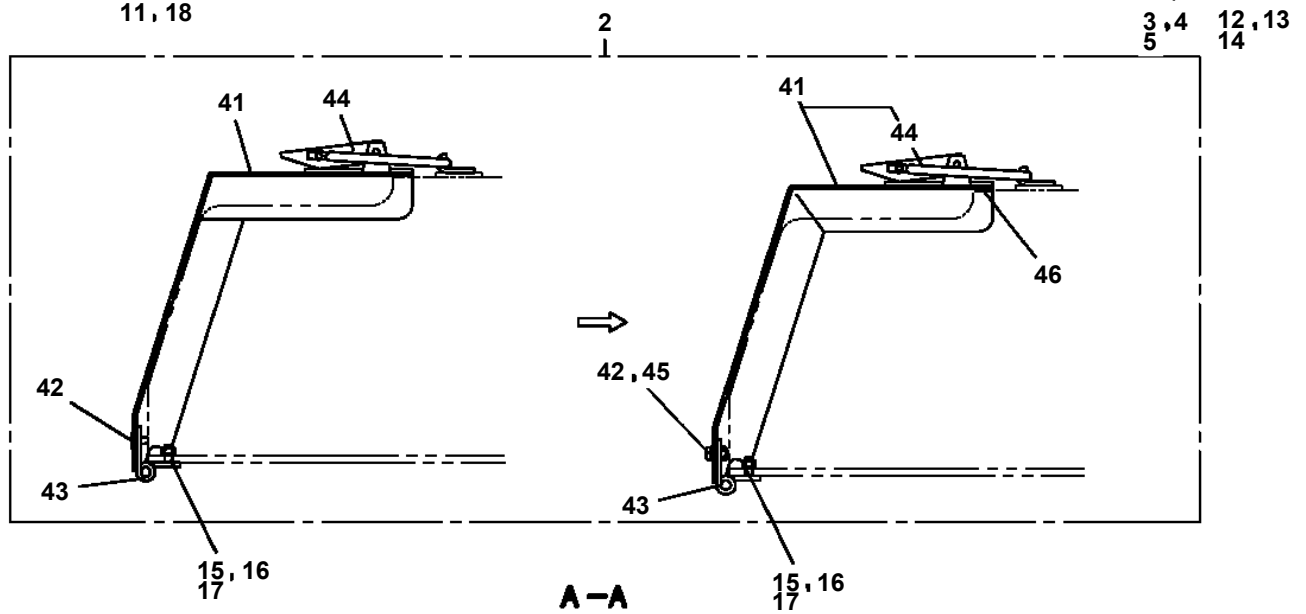
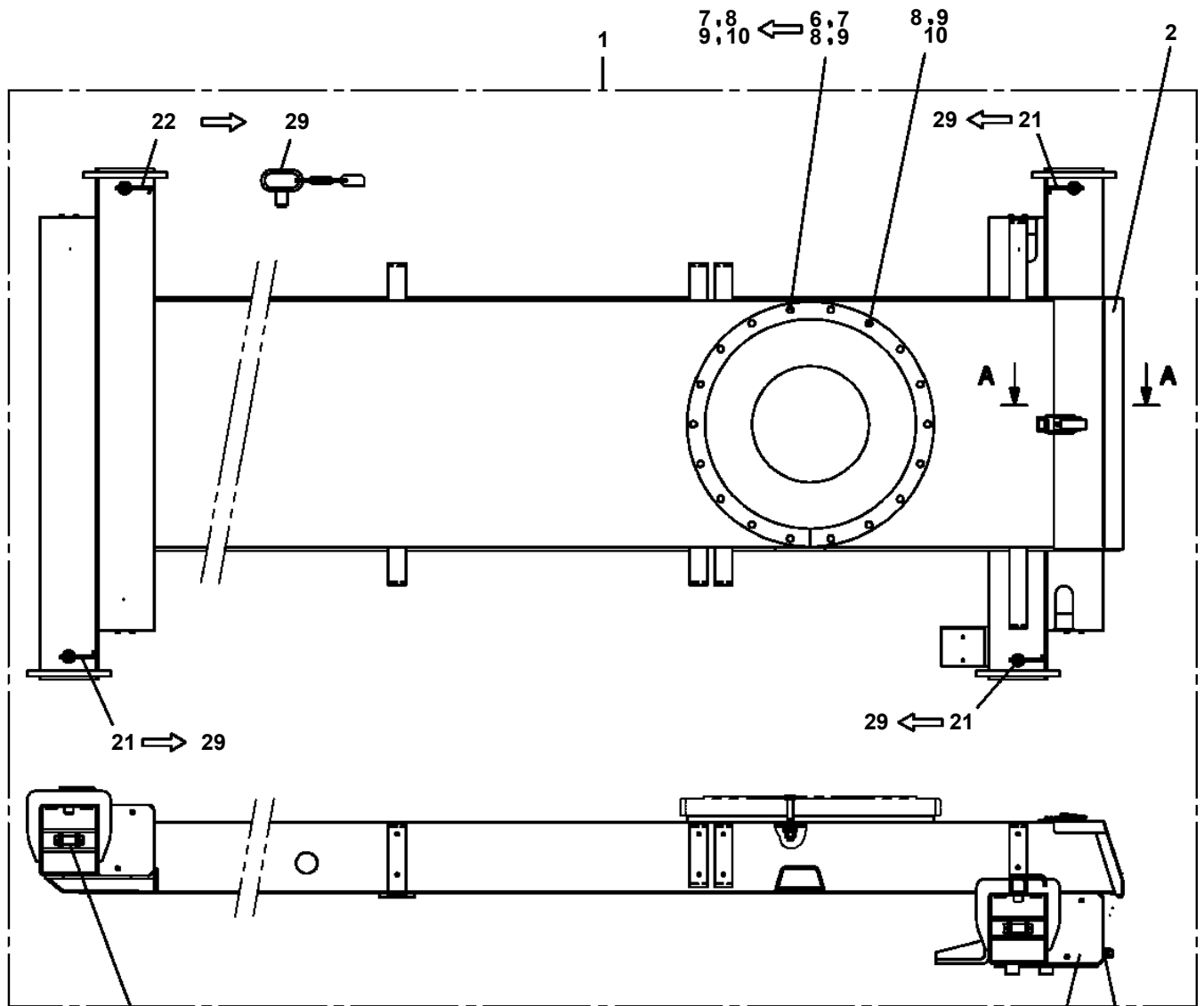
- Please note: If there is no response to CLICKING the link, please download this PDF first and then click on it.

CLICK HERE TO **DOWNLOAD** THE COMPLETE MANUAL

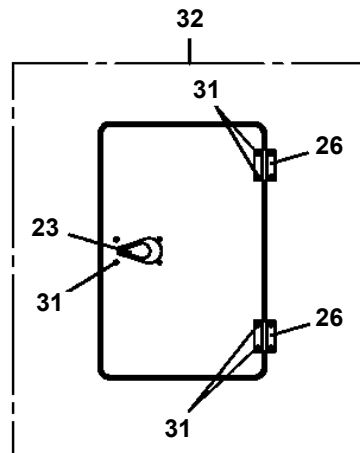
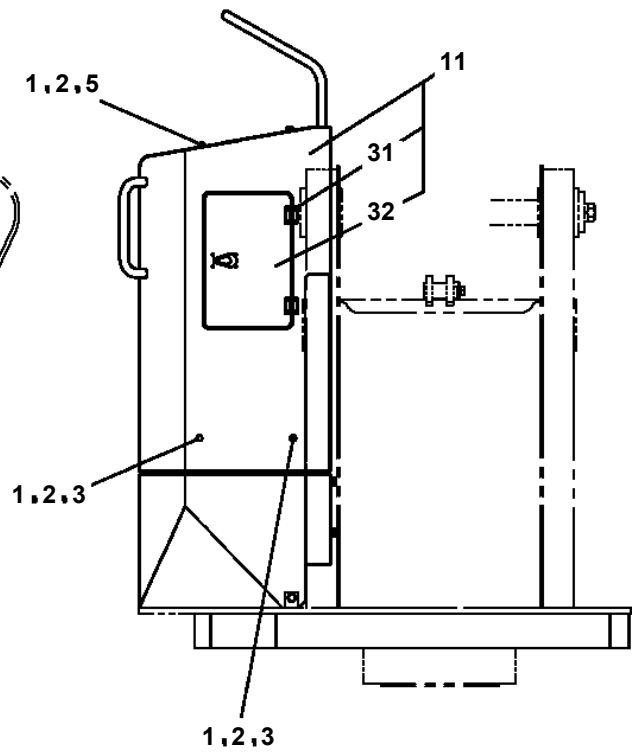
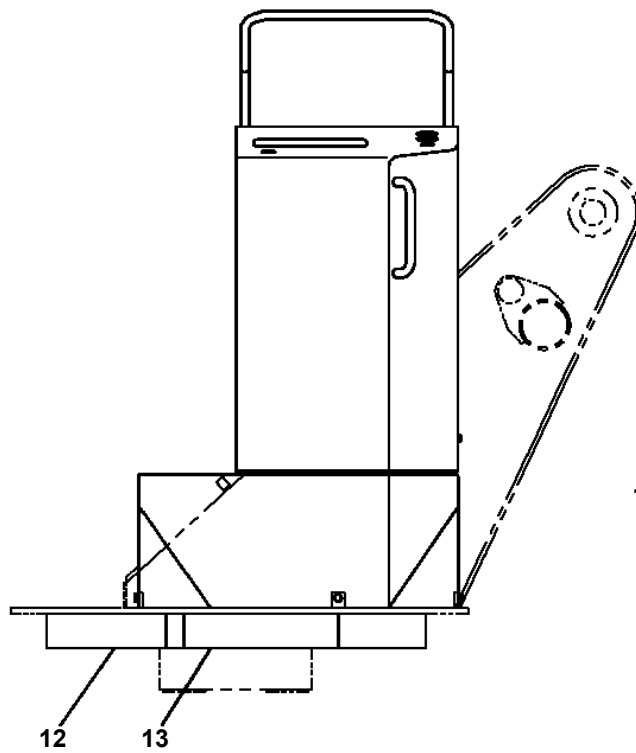
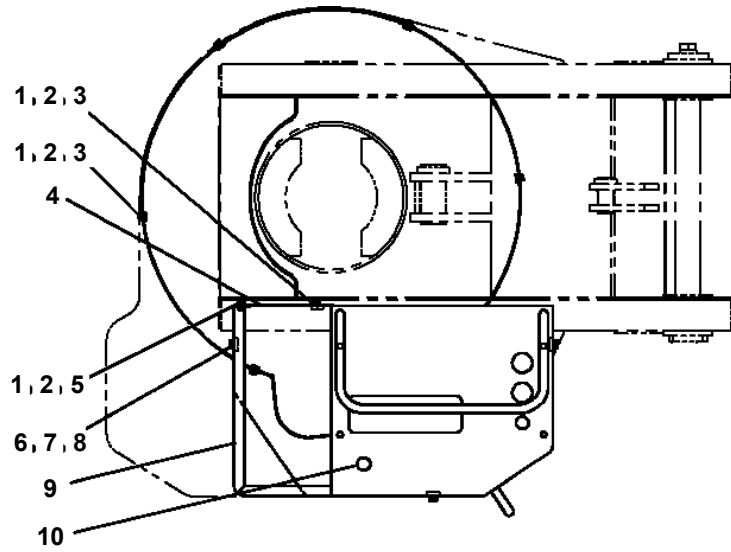
**AT-141-1 42043100027 UPPER
PJ3200020-04 PIPING,BUCKET (WITH LIFT)**



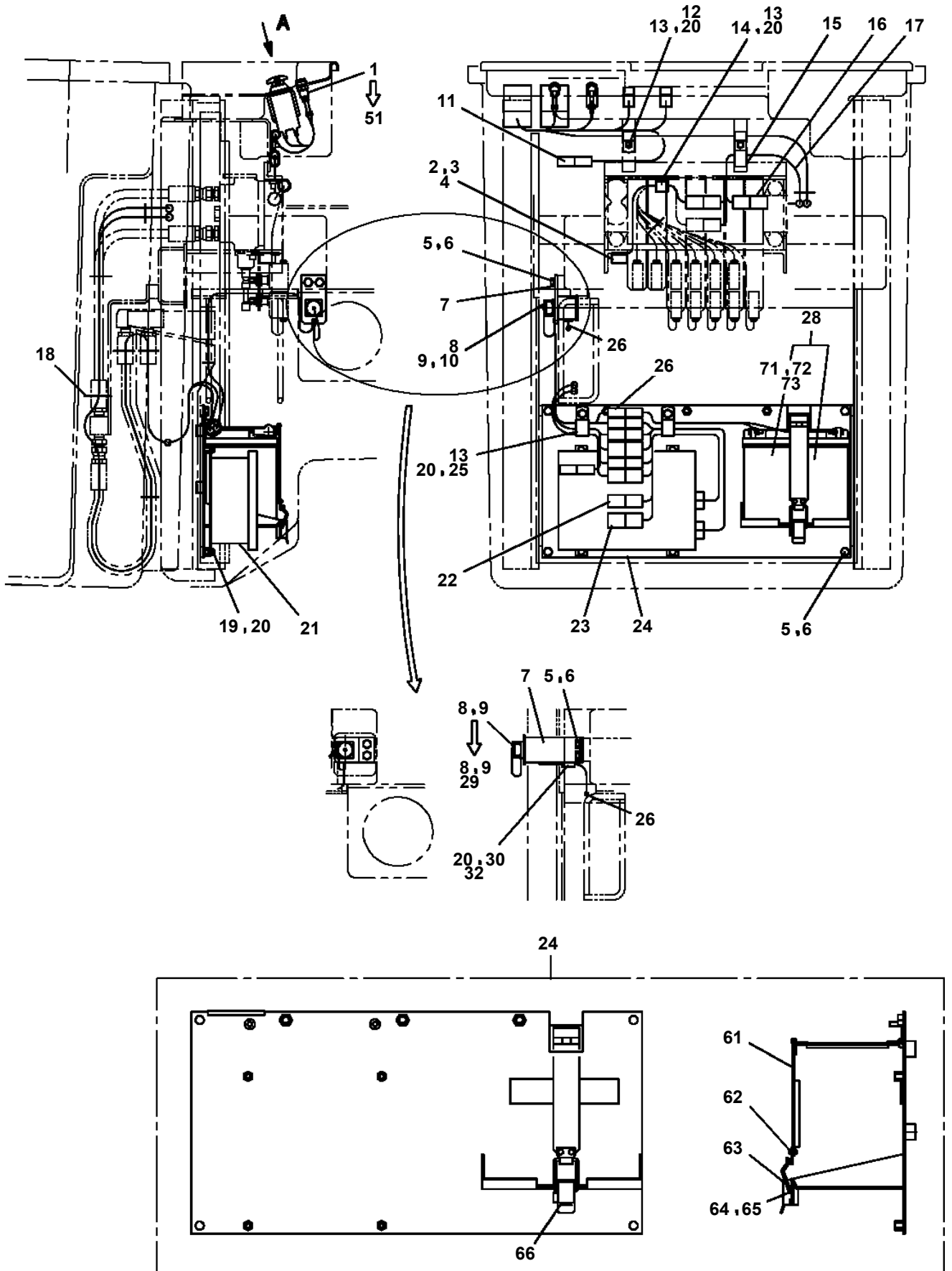
**AT-141-1 42043100027 UPPER
PK1010182-02 FRAME (WITH ENGINE UNIT)**



**AT-141-1 42043100027 UPPER
PK1200126-02 COVER, SWING FRAME**



AT-141-1 42043100027 UPPER
 PN1010731-04 ELEC.ASSY (BUCKET)



展開図有
 ILLUSTRATED BREAKDOWN NO. 1, 51

AT-141-1 42043100027 UPPER

Pos No.	Parts No	Parts Name	Qty	Unit	Technical Data	Serial No (Start)	Serial No (End)	Remarks	Pages
1	42350202200	SWITCH ASSY	1				225622		
	42350220400	SWITCH ASSY	1			225623			
18	82100000665	CAP (BLACK)	1				225646		

AT-141-1 42043100027 UPPER

Pos No.	Parts No	Parts Name	Qty	Unit	Technical Data	Serial No (Start)	Serial No (End)	Remarks
1	42650337540	PLATE	1					
2	42650337550	BOARD,PRINT	1					
10	42650335602	CONVERTER (DC-DC,12V)	1					

AT-141-1 4204310027 UPPER

Pos No.	Parts No	Parts Name	Qty	Unit	Technical Data	Serial No (Start)	Serial No (End)	F
1	37002201980	PLATE,NAME	4					
2	42391161020	PLATE,NAME	2					
3	12117140000	PLATE,NAME (GREASE)	6					
4	42390010290	PLATE,NAME (AML)	1					
5	42391161500	PLATE,NAME	1				226020	
	42392461080	PLATE,NAME	1			226021		
6	37002209500	PLATE,NAME (TADANO)	2					
7	42391161040	PLATE,NAME	1					
9	80147310440	RIVET	4		NSA4-4		226232	
	90451700100	SCREW,TAPPING	4		M4X6.4	226233		
10	42391161050	PLATE,NAME	1					
11	42940010070	REFLECTOR (RED)	2					
12	42391161160	REFLECTOR (YELLOW)	2					
13	37002209560	PLATE,NAME (TADANO)	1					
14	42391161060	PLATE,NAME	1				226327	
	44390810090	PLATE,CAUTION	1			226328		
15	42390020060	PLATE,CAUTION	1				226327	
	42942152140	PLATE,CAUTION	1			226328		
16	42940110090	PLATE,CAUTION	1					
17	42391161030	PLATE,NAME	1					
18	42940010010	PLATE,CAUTION	1				226327	
19	42391161010	PLATE,CAUTION	1					
20	42391161070	PLATE,NAME	1					
21	42391161150	PLATE,NAME	1					
22	42391161090	PLATE,NAME (TELESCOPING)	1					
23	42391161100	PLATE,NAME (SWING)	1					
24	42391161110	PLATE,NAME (ELEVATING)	1					
25	37002202020	PLATE,NAME	1					
26	42391161120	PLATE,NAME	1					
27	37002202050	PLATE,NAME (ACCELERATOR)	1					
28	37002202120	PLATE,NAME (HIGH/LOW)	1					
29	42940170010	PLATE,NAME	1					
30	42940010080	PLATE,CAUTION	1					
	42470480020	PLATE,NAME	1					
31	37002202030	PLATE,NAME	1					
32	42391161080	PLATE,CAUTION	1				226327	
33	42391161130	PLATE,CAUTION	1				226327	
	42941821050	PLATE,CAUTION	1			226328		
34	42391161140	PLATE,CAUTION	1				226327	
35	42390960190	REFLECTOR (WHITE/RED)	2					
36	37002212700	PLATE,NAME	1					
37	42391901010	PLATE,CAUTION	1			225754		
38	42392920050	PLATE,CAUTION	1			226328		
39	42392582050	PLATE,CAUTION	1			226328		
40	44390810080	PLATE,NAME	1			226328		
41	42390780040	PLATE,NAME (WORKING SWITCH)	1			226328		

AT-141-1 4204310027 UPPER

Pos No.	Parts No	Parts Name	Qty	Unit	Technical Data	Serial No (Start)	Serial No (End)
1	42940100030	PLATE,NAME (PLUG)	1				
2	42391163200	PLATE,NAME	1				
3	42391163090	PLATE,NAME (ENGINE)	1				
4	42391163100	PLATE,NAME (POWER)	1				
5	42391163110	PLATE,NAME	1				
6	42391163120	PLATE,NAME	1				
7	42391163130	PLATE,NAME	1				
8	42391163140	PLATE,NAME (ACCELERATOR)	1				
9	42391163150	PLATE,NAME	1				
10	42391163160	PLATE,NAME (BOOSTER)	1				
11	42391383020	PLATE,NAME	1				
12	42391383030	PLATE,NAME	1				
13	42391163030	PLATE,NAME (TELESCOPING)	1				
14	42391163040	PLATE,NAME (SWING)	1				
15	42391163050	PLATE,NAME (ELEVATING)	1				
16	42391383040	PLATE,NAME	1				
17	42391383050	PLATE,NAME	1				
18	42390080070	PLATE,NAME	1				226316
19	42390080180	PLATE,CAUTION	1				226316
	42392582050	PLATE,CAUTION	1			226317	
20	42391163170	PLATE,CAUTION	1				226316
21	42391163180	PLATE,NAME	1				226316
	42391173030	PLATE,CAUTION	1			226317	
22	42390010260	PLATE,CAUTION	1				226316
23	42391173010	PLATE,NAME (EMERGENCY PUMP)	1				
24	42391172050	PLATE,NAME (EMERGENCY PUMP)	1				226316
	42392330070	PLATE,NAME	1			226317	
25	42391163190	PLATE,CAUTION	1				226316
26	42391720040	PLATE,CAUTION	1			226317	
27	42392583050	PLATE,NAME	2			226317	
28	42391173020	PLATE,CAUTION	1			226317	
32	42392653030	PLATE,CAUTION	1			226317	
35	42392583100	PLATE,CAUTION	1			226317	
38	42392653050	PLATE,NAME	1			226317	

AT-141-1 42043100027 UPPER

Pos No.	Parts No	Parts Name	Qty	Unit	Technical Data	Serial No (Start)	Serial No (End)	Remarks	Pages
1	83152811000	SHACKLE	1						

AT-141-1 42043100027 UPPER

Pos No.	Parts No	Parts Name	Qty	Unit	Technical Data	Serial No (Start)	Serial No (End)	Remarks
1	36643030000	VALVE,SOLENOID	1					
10	42473141000	VALVE ASSY,SOLENOID	1					

AT-141-1 42043100027 UPPER

Pos No.	Parts No	Parts Name	Qty	Unit	Technical Data	Serial No (Start)	Serial No (End)
1	42460821100	BLOCK,RUBBER (WAZUMI)	4				
	42460821200	BLOCK,RUBBER (NAKAMURA)	4				
2	42460012530	WEDGE (STOPPER FOR TIRE/WAZUMI)	4				2289
	42460012540	WEDGE (STOPPER FOR TIRE/NAKAMURA KIKI)	4				2289
	42460012550	WEDGE (STOPPER FOR TIRE/JUSTIN)	4			228923	
3	37004100040	PUMP,GREASE (DOMESTIC)	1				
4	42473401000	TOOLS	1				
6	91991601013	ACCESSORIES (WRENCH)	1				

AT-141-1 42043100027 UPPER

Pos No.	Parts No	Parts Name	Qty	Unit	Technical Data	Serial No (Start)	Serial No (End)
1	42460012540	WEDGE (STOPPER FOR TIRE/NAKAMURA KIKI)	1				

AT-141-1 42043100027 UPPER

Pos No.	Parts No	Parts Name	Qty	Unit	Technical Data	Serial No (Start)	Serial No (End)	R
1	42470230000	CLAMP HEAD (IZUMI 12TON 3.5M)	1					

AT-141-1 42043100027 UPPER

Pos No.	Parts No	Parts Name	Qty	Unit	Technical Data	Serial No (Start)	Serial No
1	42472640000	CLAMP HEAD (IZUMI 8TON 3.5M ELECTRIC)	1				

AT-141-1 42043100027 UPPER

Pos No.	Parts No	Parts Name	Qty	Unit	Technical Data	Serial No (Start)	Serial No (End)
1	42470330000	ROPE (SAFETY,YELLOW:TD-TYPE)	1				

AT-141-1 4204310027 UPPER

Pos No.	Parts No	Parts Name	Qty	Unit	Technical Data	Serial No (Start)	Serial No (End)	Remarks	Pages
1	42470121000	ARM ASSY	1						
2	42470122000	HOLDER	3						
3	42470123000	CLAMP ASSY	1						
4	42470044000	HOT STICK	1						
5	42470422000	SUPPORT	1						
6	90101216140	BOLT	1		M16X140				
7	90303071601	WASHER,PLAIN	1		16				
8	90201201600	NUT	1		M16				
21	90101210025	BOLT	6		M10X25				
22	90302041001	WASHER,SPRING	6		10				
24	42470601010	SUPPORT	3						
28	42470601050	SUPPORT	1						
31	42470121100	ARM	1						
32	42470121200	CAP	2						

AT-141-1 42043100027 UPPER

Pos No.	Parts No	Parts Name	Qty	Unit	Technical Data	Serial No (Start)	Serial No (End)	Remarks	Pages
1	42470121000	ARM ASSY	1						
2	42471231000	HOLDER	3						
3	42470123000	CLAMP ASSY	1						
4	42470044000	HOT STICK	1						
5	42470045000	SUPPORT	1						
6	90101216130	BOLT	1		M16X130				
7	90303071601	WASHER,PLAIN	1		16				
8	90201201600	NUT	1		M16				
31	42470121100	ARM	1						
32	42470121200	CAP	2						

AT-141-1 4204310027 UPPER

Pos No.	Parts No	Parts Name	Qty	Unit	Technical Data	Serial No (Start)	Serial No (End)	Remarks	Pages
1	42473730100	SUPPORT	1						
2	82100000711	CLAMP	10						
3	91810130240	FASTENER	10						
4	42473730010	HARNES	1						
5	82100002563	LAMP,LICENSE	1						
6	42470450020	SWITCH,TOGGLE	1						
7	42473730020	COVER	1						
8	90101206010	BOLT	2		M6X1.0				
9	90302040601	WASHER,SPRING	2		6				
10	90201200500	NUT	1		M5				
11	90303070501	WASHER,PLAIN	1		5				
12	91810130230	FASTENER	1						
13	42473730500	SUPPORT	2						
14	90101208020	BOLT	2		M8X20				
15	90302040801	WASHER,SPRING	1		8				
21	82100000783	BULB,LAMP	1		24V 12W				
36	82100001682	SWITCH,TOGGLE	1						
	82105410110	SWITCH,TOGGLE	1			225686	225685		

AT-141-1 42043100027 UPPER

Pos No.	Parts No	Parts Name	Qty	Unit	Technical Data	Serial No (Start)	Serial No (End)	Remarks	Pages
1	42476201000	LAMP	1		12V 60W				
2	90101212020	BOLT	1		M12X20				
3	37000159530	PIN	1						
4	80620210160	PIN,SNAP	1						
5	90302041201	WASHER,SPRING	1		12				
10	42476200000	LAMP ASSY	1						

AT-141-1 42043100027 UPPER

Pos No.	Parts No	Parts Name	Qty	Unit	Technical Data	Serial No (Start)	Serial No (End)	Remarks	Pages
1	42472561000	COVER	1						
2	42472562000	COVER	2						
3	80146708020	RIVET	14						
4	90303070801	WASHER,PLAIN	14		8				

AT-141-1 42043100027 UPPER

Pos No.	Parts No	Parts Name	Qty	Unit	Technical Data	Serial No (Start)	Serial No (End)
5	80456210600	JOINT,SELF SEALING	2				
10	42472480000	HOSE,BOOSTER (FEMALE-FEMALE,3M)	1				

AT-141-1 42043100027 UPPER

Pos No.	Parts No	Parts Name	Qty	Unit	Technical Data	Serial No (Start)	Serial No (E
5	80456210600	JOINT,SELF SEALING	1				
6	80456240600	JOINT,SELF SEALING (WITH DUST CAP)	1				
11	42471437520	CAP	1				
30	42471084000	HOSE,BOOSTER (MALE-FEMALE,8M)	1				

AT-141-1 42043100027 UPPER

Pos No.	Parts No	Parts Name	Qty	Unit	Technical Data	Serial No (Start)	Serial No (End)
1	42472191000	WRENCH,IMPACT	1				
2	80460003080	JOINT	2		S,G3/8-3/4-16UNF		
3	37002417130	HOSE	2		L=2900		
4	91810132530	FASTENER	5				
5	80456020610	JOINT,SELF SEALING	1				
6	42340013200	JOINT,SELF SEALING (WITH CAP)	1				
11	42340017550	CAP (DUST)	1				
16	42340017510	CAP (DUST)	1				

AT-141-1 42043100027 UPPER

Pos No.	Parts No	Parts Name	Qty	Unit	Technical Data	Serial No (Start)	Serial No (End)	Remarks
1	42474160000	HANGER (FOR BUCKET)	1					

AT-141-1 42043100027 UPPER

Pos No.	Parts No	Parts Name	Qty	Unit	Technical Data	Serial No (Start)	Serial No (End)	Remarks
1	42472990000	BOX,TOOL (FOR BUCKET)	1					

CLICK HERE TO **DOWNLOAD** THE COMPLETE MANUAL

- Thank you very much for reading the preview of the manual.
- You can download the complete manual from: www.heydownloads.com by clicking the link below



- Please note: If there is no response to CLICKING the link, please download this PDF first and then click on it.

CLICK HERE TO **DOWNLOAD** THE COMPLETE MANUAL