

AT-141-1 42043140400 LOWER,ISUZU NKR58E2N

PB3000040-00 POWER UNIT
PO1000149-00 INDICATION PLATES
PX2001298-00 CARRIER UNIT
PX3000230-00 MOUNTING UNIT
PY1000865-00 OPTIONS
ASSEMBLY

CLICK HERE TO **DOWNLOAD** THE COMPLETE MANUAL

- Thank you very much for reading the preview of the manual.
- You can download the complete manual from: www.heydownloads.com by clicking the link below



- Please note: If there is no response to CLICKING the link, please download this PDF first and then click on it.

CLICK HERE TO **DOWNLOAD** THE COMPLETE MANUAL

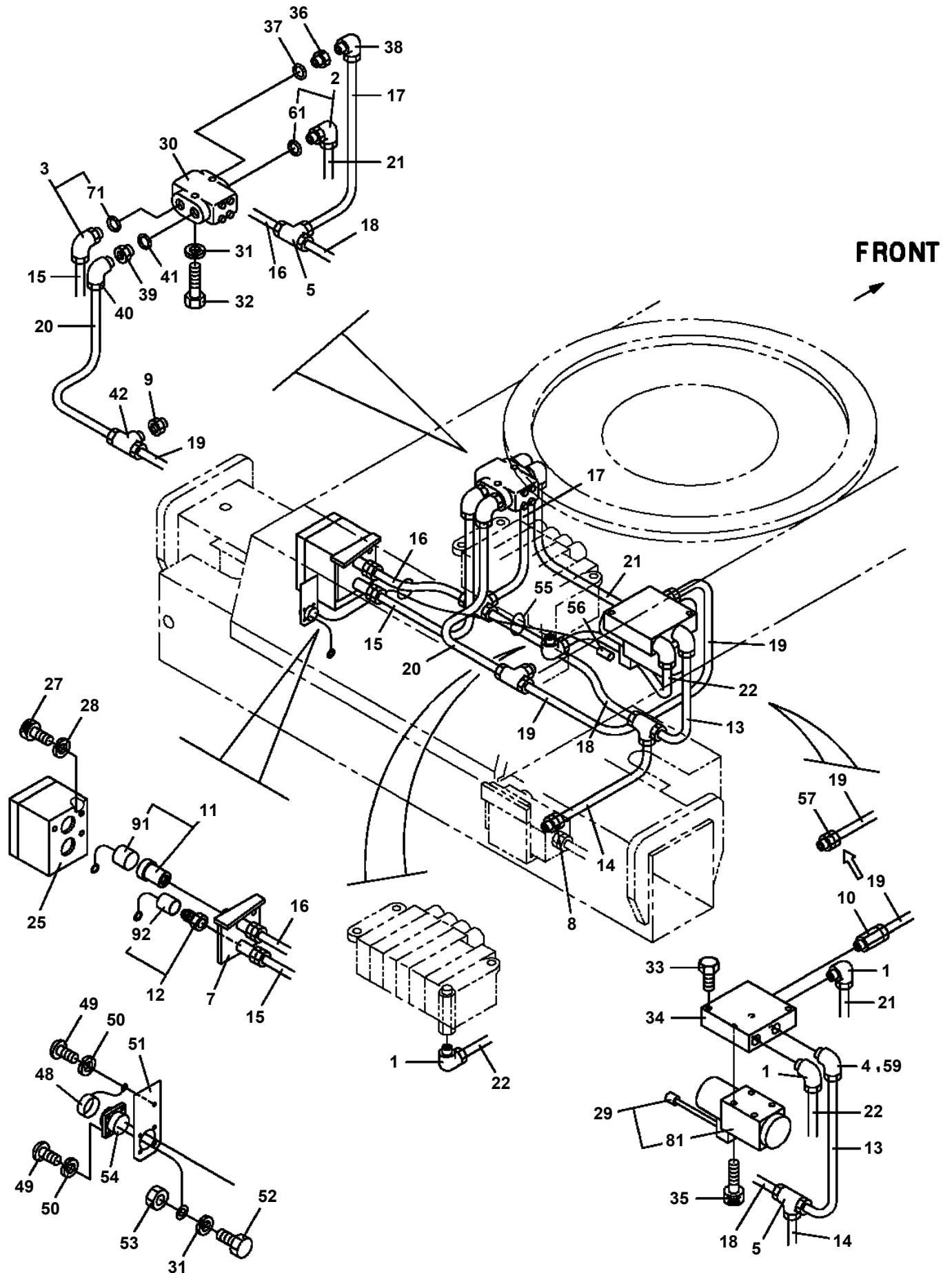
AT-141-1 42043140400 LOWER,ISUZU NKR58E2N

Pos No.	Parts No	Parts Name	Qty	Unit	Technical Data	Serial No (Start)	Serial No (End)
1	(*****)	POWER SUPPLY (LOWER HYD.OUTLET/13L)	1				
	(*****)	POWER SUPPLY (LOWER HYD.OUTLET/BOOS+13L)	1				225454
	(*****)	POWER SUPPLY (LOWER HYD.OUTLET/13L)	1				225454
	(*****)	POWER SUPPLY (LOWER HYD.OUTLET/BOOS&13L)	1				
2	(*****)	POWER SUPPLY (24V/POWER SOURCE)	1				
3	(*****)	HOUR METER	1				
5	(*****)	BOOSTER	1				
11	(*****)	LAMP (FLICKER)	1				

AT-141-1 42043140400 LOWER,ISUZU NKR58E2N

Pos No.	Parts No	Parts Name	Qty	Unit	Technical Data	Serial No (Start)	Serial No (End)	Remarks	Page
1	37002505610	HOSE	1		L=900				
2	37000803530	JOINT	1						
3	91803600160	CLIP	8		D=11-16				
4	37000803300	JOINT	1						
5	91803600120	CLIP	2		D=9.5-12				
6	34880230750	HOSE	1						
7	37000913140	JOINT	1						
8	37002502790	HOSE	1		L=1120				
9	37000911190	JOINT	1						
10	82100002039	CLAMP	1						
11	90101206016	BOLT	2		M6X16				
12	90302040601	WASHER,SPRING	2		6				
13	42820500200	PUMP,FUEL	1						
14	90302040801	WASHER,SPRING	2		8				
15	90201200800	NUT	1		M8				
16	91810130230	FASTENER	5						
17	82100002040	CLAMP	1		WE15				
18	90101208012	BOLT	1		M8X12				
41	42820507680	FILTER (REPAIR KIT)	1						

**AT-141-1 42043140400 LOWER,ISUZU NKR58E2N
PB1380009-03 POWER SUPPLY (LOWER HYDRAULIC OUTLET)**



AT-141-1 42043140400 LOWER,ISUZU NKR58E2N

Pos No.	Parts No	Parts Name	Qty	Unit	Technical Data	Serial No (Start)	Serial No (End)
32	90101206050	BOLT	2		M6X50		
33	90101208050	BOLT	2		M8X50		
	90101208050	BOLT	2		M8X50		
34	42733682300	FITTING,FLANGE	1				
	42733682300	FITTING,FLANGE	1				
35	90131506035	BOLT,HEXAGON SOCKET	4		M6X35		
	90131506035	BOLT,HEXAGON SOCKET	4		M6X35		
36	37000911720	JOINT	1				
	37000911720	JOINT	1				
37	91002801400	O-RING	1		1B P14		
	91002801400	O-RING	1		1B P14		
38	80303030160	FITTING,ELBOW	1		KLN12-030N		
	80303030160	FITTING,ELBOW	1		KLN12-030N		
39	80315040080	JOINT	1				
	80315040080	JOINT	1				
40	80303030240	FITTING,ELBOW	1				
	80303030240	FITTING,ELBOW	1				
41	91002801800	O-RING	1		1B P18		
	91002801800	O-RING	1		1B P18		
42	80305030120	FITTING,TEE	1		KTN18-040N		
	80305030120	FITTING,TEE	1		KTN18-040N		
43	81408000160	PIPE,STEEL	1	M	12X1.4T		
	81408000160	PIPE,STEEL	1	M	12X1.4T		
44	81408000241	PIPE,STEEL	1	M	18X1.9T		
	81408000241	PIPE,STEEL	1	M	18X1.9T		
45	81408000160	PIPE,STEEL	1	M	12X1.4T		
	81408000160	PIPE,STEEL	1	M	12X1.4T		
46	81408000160	PIPE,STEEL	1	M	12X1.4T		
	81408000160	PIPE,STEEL	1	M	12X1.4T		
47	81408000160	PIPE,STEEL	1	M	12X1.4T		
	81408000160	PIPE,STEEL	1	M	12X1.4T		
48	82100001655	CAP	1				
	82100001655	CAP	1				
61	91002801800	O-RING	1		1B P18		
	91002801800	O-RING	1		1B P18		
71	91002801400	O-RING	1		1B P14		
	91002801400	O-RING	1		1B P14		
81	42340017510	CAP (DUST)	1				
	42340017510	CAP (DUST)	1				
82	42340017550	CAP (DUST)	1				
	42340017550	CAP (DUST)	1				
91	36641840000	VALVE,SOLENOID	1				
	36641840000	VALVE,SOLENOID	1				
101	42733682210	COVER	1				
	42733682210	COVER	1				
102	42733682240	COVER	1				
	42733682240	COVER	1				
103	90201200300	NUT	12		M3		
	90201200300	NUT	12		M3		
104	80172303008	SCREW,MACHINE	4		M3X8		
	80172303008	SCREW,MACHINE	4		M3X8		
105	90302040301	WASHER,SPRING	12		3		
	90302040301	WASHER,SPRING	12		3		
106	90303070301	WASHER,PLAIN	2		3		
	90303070301	WASHER,PLAIN	2		3		
107	82480001103	CATCH	1				
	82480001103	CATCH	1				
108	80176803008	SCREW,MACHINE	8		M3X8		
	80176803008	SCREW,MACHINE	8		M3X8		
109	82464102700	HINGE	2				
	82464102700	HINGE	2				

**AT-141-1 42043140400 LOWER,ISUZU NKR58E2N
PB1380228-00 POWER SUPPLY (LOWER HYD.OUTLET/13L)**

1	ハ [・] ワ [・] サ [・] フ [・] ライ (ロ [・] ワ [・] ー ハイ [・] ト [・] ロ [・] リ [・] ツ [・] ク ア [・] ウ [・] ト [・] レ [・] ツ [・] ト スイ [・] ツ [・] チ) POWER SUPPLY (LOWER HYDRAULIC OUTLET SWITCH)
2	ハ [・] ワ [・] サ [・] フ [・] ライ (ロ [・] ワ [・] ー ハイ [・] ト [・] ロ [・] リ [・] ツ [・] ク ア [・] ウ [・] ト [・] レ [・] ツ [・] ト) POWER SUPPLY (LOWER HYDRAULIC OUTLET)
3	ハ [・] ワ [・] サ [・] フ [・] ライ (ロ [・] ワ [・] ー ハイ [・] ト [・] ロ [・] リ [・] ツ [・] ク ア [・] ウ [・] ト [・] レ [・] ツ [・] ト リ [・] レ [・] ー) POWER SUPPLY (LOWER HYDRAULIC OUTLET RELAY)
4	ハ [・] ワ [・] サ [・] フ [・] ライ (ロ [・] ワ [・] ー ハイ [・] ト [・] ロ [・] リ [・] ツ [・] ク ア [・] ウ [・] ト [・] レ [・] ツ [・] ト ハイ [・] カン) POWER SUPPLY (LOWER HYDRAULIC OUTLET PIPING)

AT-141-1 42043140400 LOWER,ISUZU NKR58E2N

Pos No.	Parts No	Parts Name	Qty	Unit	Technical Data	Serial No (Start)	Serial No (End)
1	37000711090	CLAMP ASSY	1		18X2		
2	42731461000	SWITCH,THERMO	1				225453
	42643051000	SWITCH ASSY (THERMO)	1			225454	
3	37000300740	SLEEVE	1		18-12		
4	91803600550	CLIP	8		D=40-55		
5	42641740200	JOINT	1				
6	37000909280	JOINT	1				
9	37002439460	HOSE	1		L=500		
10	80430420850	JOINT	1				
11	36621670000	VALVE,CHECK	2				
12	42641740100	JOINT	1				
13	80307010160	FITTING	1		KSA18-040N		
14	80302010230	FITTING	3		KCT18-030N		
15	36643240000	VALVE,SOLENOID (WITH CONNECTOR)	1				225453
	42643041000	VALVE,SOLENOID (WITH CONNECTOR)	1			225454	
16	81408000241	PIPE,STEEL	1	M	18X1.9T		
17	90302040801	WASHER,SPRING	16		8		
18	81408000241	PIPE,STEEL	1	M	18X1.9T		
19	80303030230	FITTING,ELBOW	1				
20	36670100000	FILTER,OIL (YAMASHIN)	1				
21	37002509740	HOSE	1		L=430		
22	81408000160	PIPE,STEEL	1	M	12X1.4T		
23	81408000241	PIPE,STEEL	1	M	18X1.9T		
24	37002437780	HOSE	1		L=875		
26	80320030075	FITTING,ELBOW	1		KLE12-020N		
27	80320030140	FITTING,ELBOW	1		KLE18-040N		
28	42641970500	JOINT	1				
29	90101208075	BOLT	2		M8X75		225524
	90101208060	BOLT	2		M8X60	225525	
30	42640010130	FITTING,FLANGE	1				
31	91002904500	O-RING	2		1B G45		
32	90101208016	BOLT	13		M8X16		
33	37002504640	HOSE	1		L=600		225591
	37002511160	HOSE	1		L=460	225592	
34	91803600250	CLIP	4		D=18-25		
35	37002508880	HOSE	1		L=375		
36	91803600400	CLIP	4		D=27-40		
38	91803600500	CLIP	4		D=35-50		
40	42641970400	FITTING,FLANGE	1				
41	91002903000	O-RING	2		1B G30		
42	42641970100	FITTING,FLANGE	1				
43	90201200800	NUT	2		M8		
44	90101210025	BOLT	9		M10X25		
45	90302041001	WASHER,SPRING	9		10		
46	42641970200	FITTING,FLANGE	1				
47	37002509750	HOSE	1		L=700		
48	82100002009	CLAMP	1		WRC12		
49	82100002015	CLAMP	1		WRC20		
50	42641970300	JOINT	1				
51	37000551620	PLATE	1				
52	37002508890	HOSE	1		L=470		
53	82100001412	TUBE,SPIRAL	1	M	SE-12BK		
54	37000600520	CLAMP	1		R=22		
55	90201201000	NUT	1		M10		
56	90303071001	WASHER,PLAIN	1		10		
57	42641970700	SUPPORT	1				
58	42641970800	JOINT	1				
59	37000601600	CLAMP	1		WR54		
61	82100002283	CONNECTOR	1				225453
62	82100002256	TERMINAL	2				225453
63	82100002329	PLUG	1				225453
64	36641520000	VALVE,SOLENOID	1				

AT-141-1 42043140400 LOWER,ISUZU NKR58E2N

Pos No.	Parts No	Parts Name	Qty	Unit	Technical Data	Serial No (Start)	Serial No (End)	Remarks	Pages
100	42711650300	HARNESS	1						

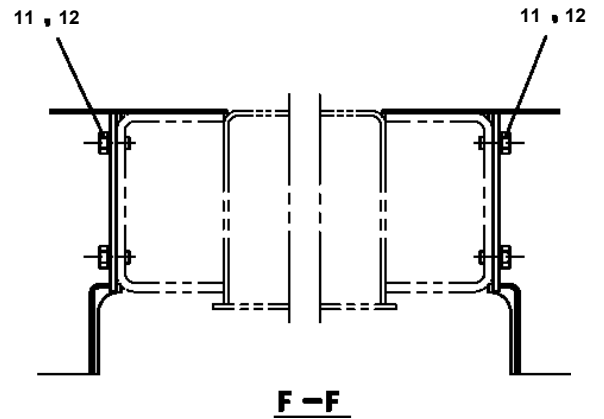
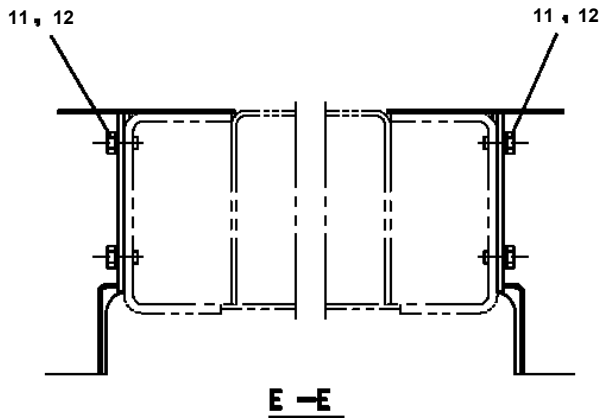
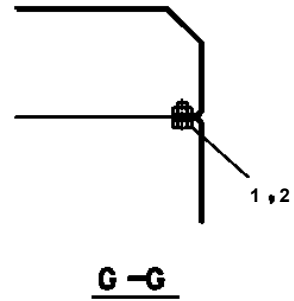
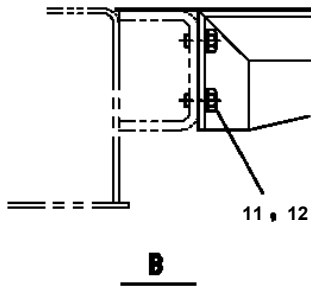
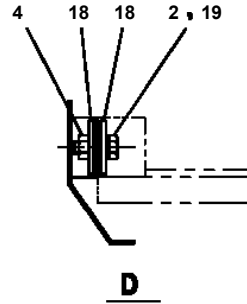
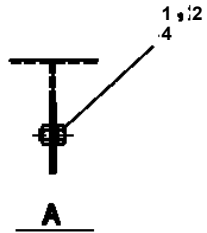
AT-141-1 42043140400 LOWER,ISUZU NKR58E2N

Pos No.	Parts No	Parts Name	Qty	Unit	Technical Data	Serial No (Start)	Serial No (End)	Remarks	Page
102	36641687510	PLUG	1						
104	36641687520	RETAINER (A)	2						
105	36641687530	RETAINER (B)	2						
106	36641687540	RETAINER (C)	1						
107	36640175040	SPACER	4						
108	36641687550	SPRING (A)	1						
109	36641687560	SPRING (C)	1						
110	36642915020	NUT	1						
111	36641687570	ROD	1						
112	36641687580	GUIDE (SOLENOID)	1						
113	36646375050	COIL,SOLENOID	1						
116	91000501200	O-RING	4						
117	91001102000	O-RING	1		1A P20				
118	91002801800	O-RING	2		1B P18				
119	91001002500	O-RING	1		S25				
200	36645881000	VALVE,SOLENOID	1						

AT-141-1 42043140400 LOWER,ISUZU NKR58E2N

Pos No.	Parts No	Parts Name	Qty	Unit	Technical Data	Serial No (Start)	Serial No (End)	Remarks	Pages
1	91810130240	FASTENER	10						
2	82100000711	CLAMP	5						
3	42802670100	SUPPORT	1						
4	42802670200	SUPPORT	1						
5	90101206016	BOLT	6		M6X16				
6	90302040601	WASHER,SPRING	6		6				
7	90303070601	WASHER,PLAIN	8		6				
8	90101208018	BOLT	8		M8X18				
9	90302040801	WASHER,SPRING	8		8				
10	42802670400	PLATE	1						
11	82100000192	TERMINAL	12						
12	82100000182	INSULATOR	12						
13	82100000191	TERMINAL	12						
14	82100000183	INSULATOR	12						
15	90101206012	BOLT	2		M6X12				

**AT-141-1 42043140400 LOWER,ISUZU NKR58E2N
PX1030134-02 FENDER (WINH MOTOR UNIT)**



CLICK HERE TO **DOWNLOAD** THE COMPLETE MANUAL

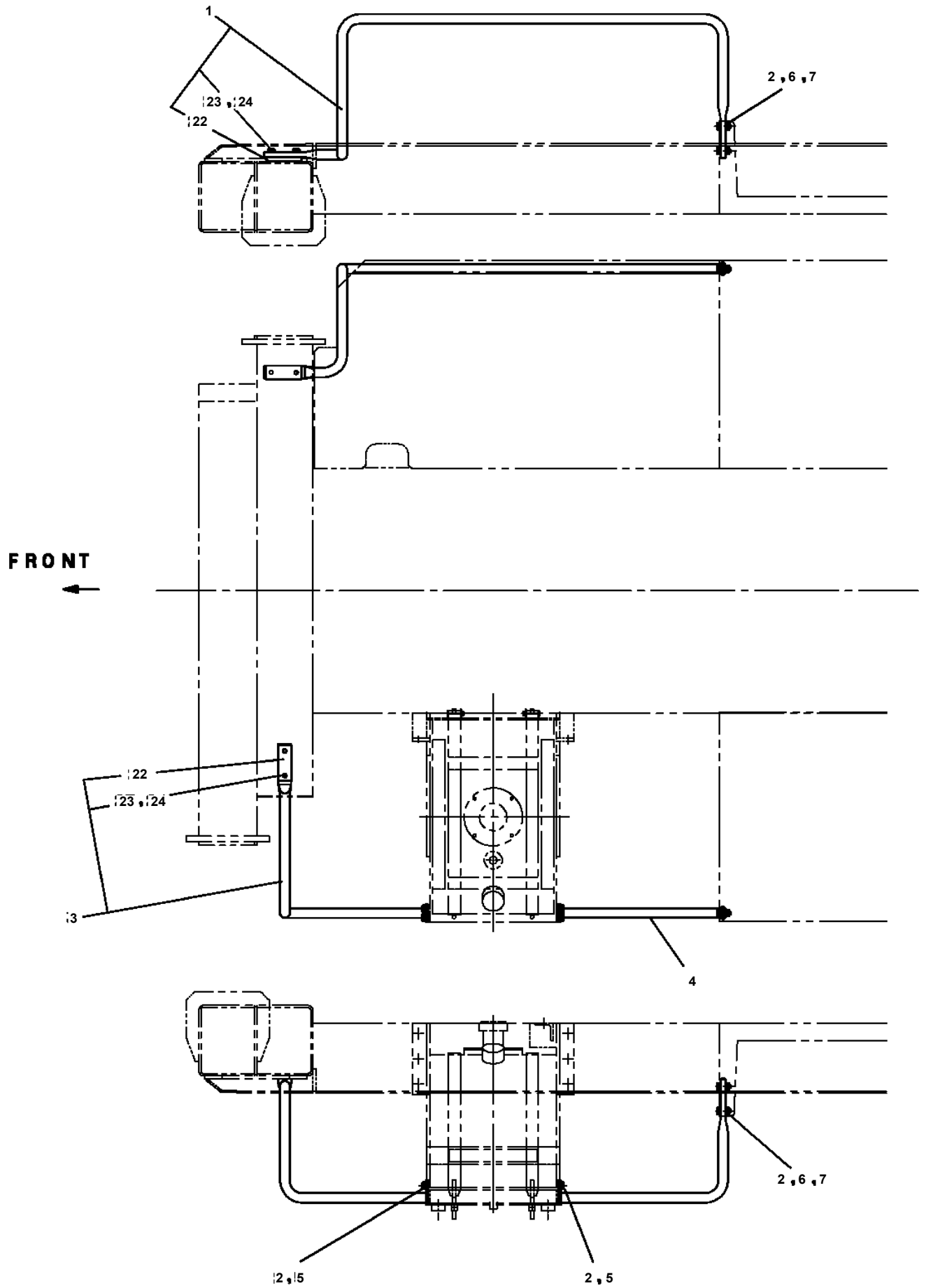
- Thank you very much for reading the preview of the manual.
- You can download the complete manual from: www.heydownloads.com by clicking the link below



- Please note: If there is no response to CLICKING the link, please download this PDF first and then click on it.

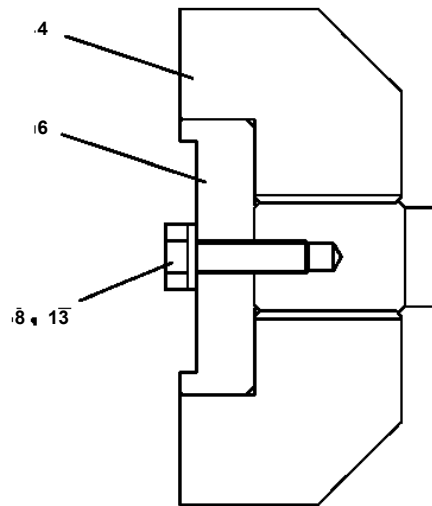
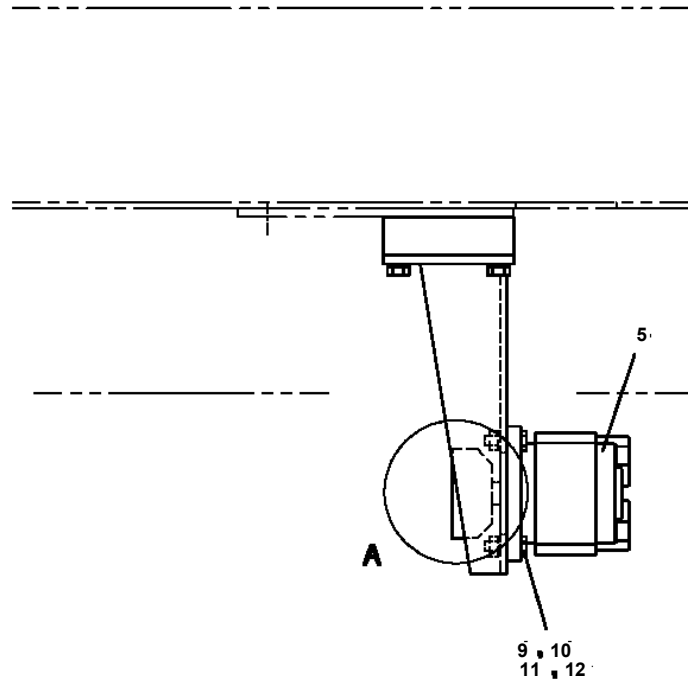
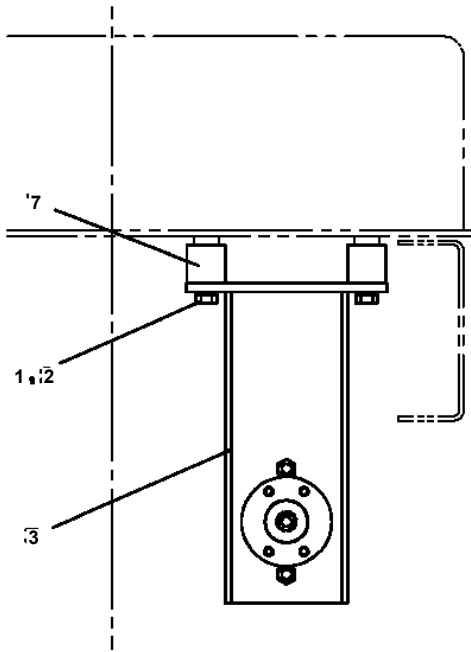
CLICK HERE TO **DOWNLOAD** THE COMPLETE MANUAL

AT-141-1 42043140400 LOWER,ISUZU NKR58E2N
PX1200121-01 GUARD,SIDE (FRONT)



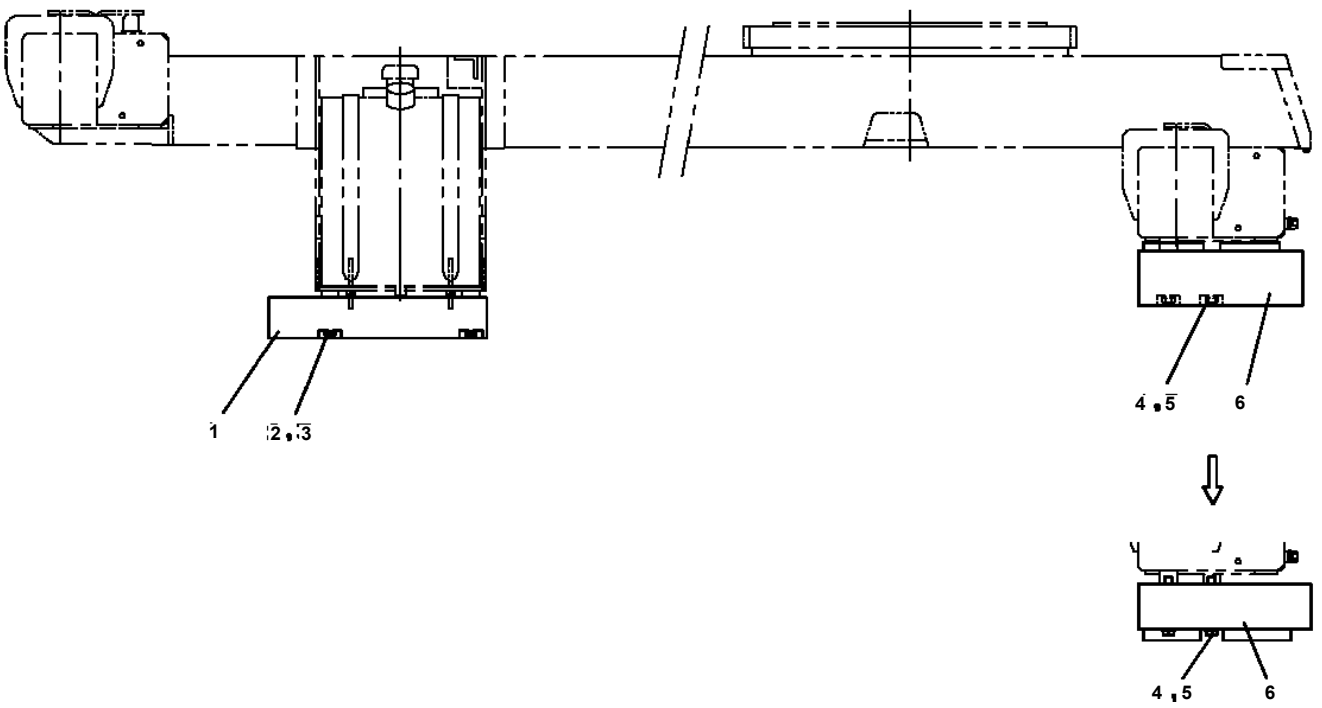
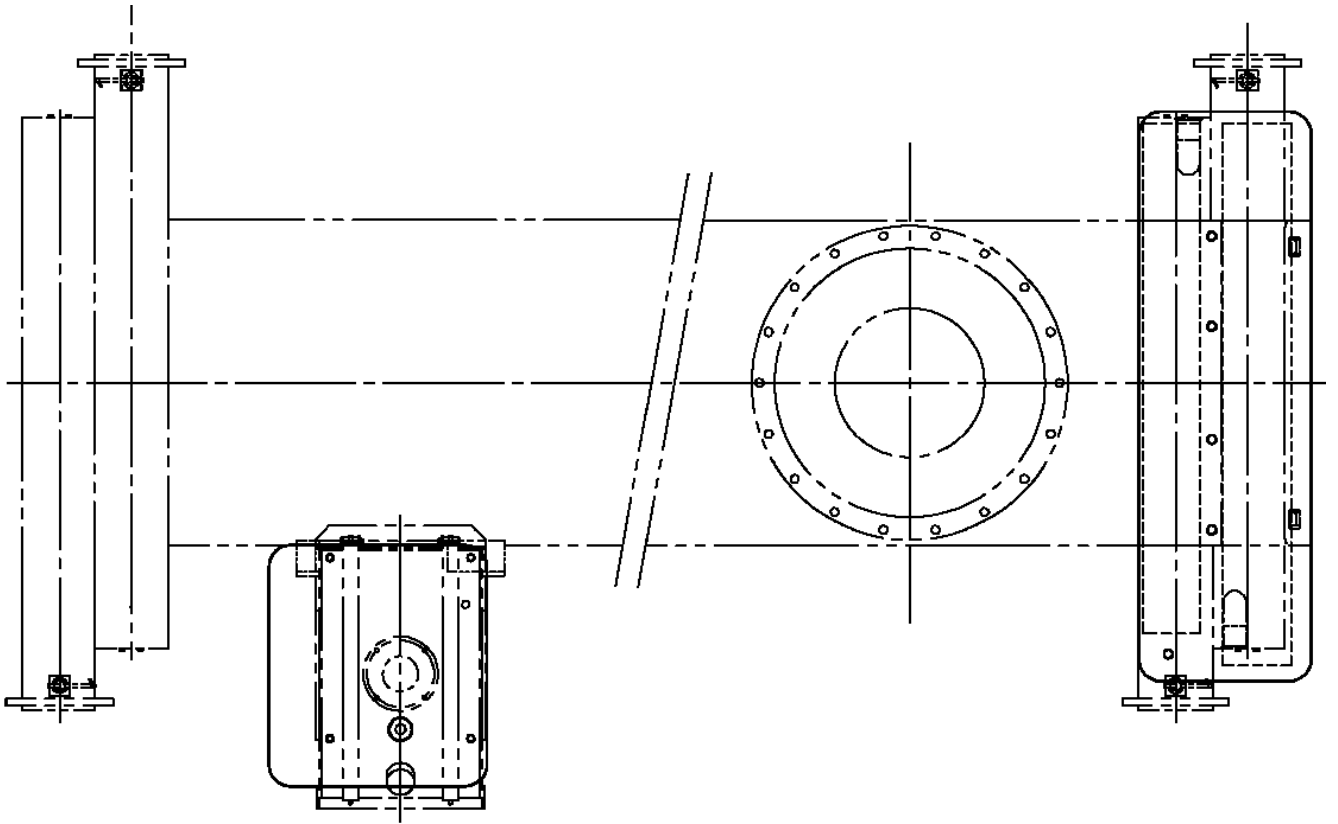
AT-141-1 42043140400 LOWER, ISUZU NKR58E2N
PX1220245-00 PUMP INSTALLATION

FRONT
←

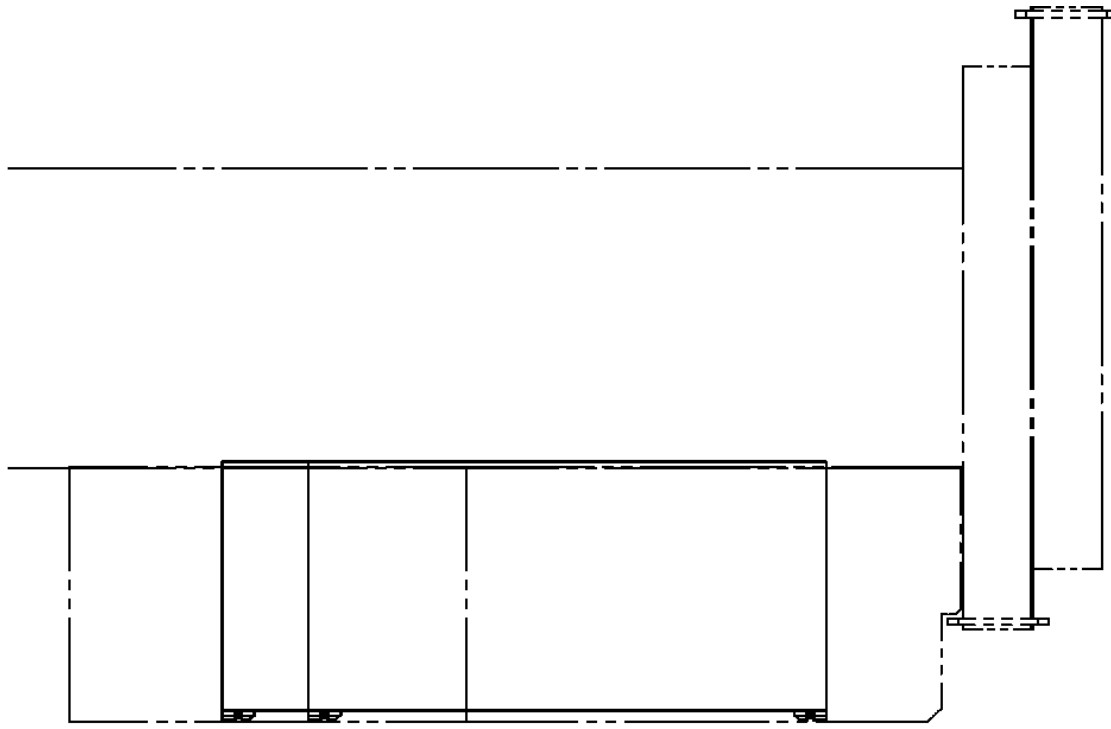


A

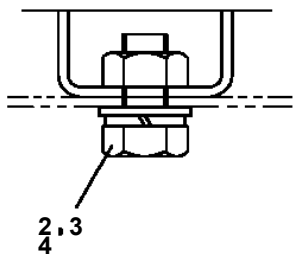
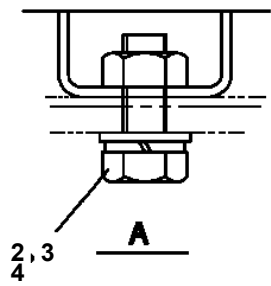
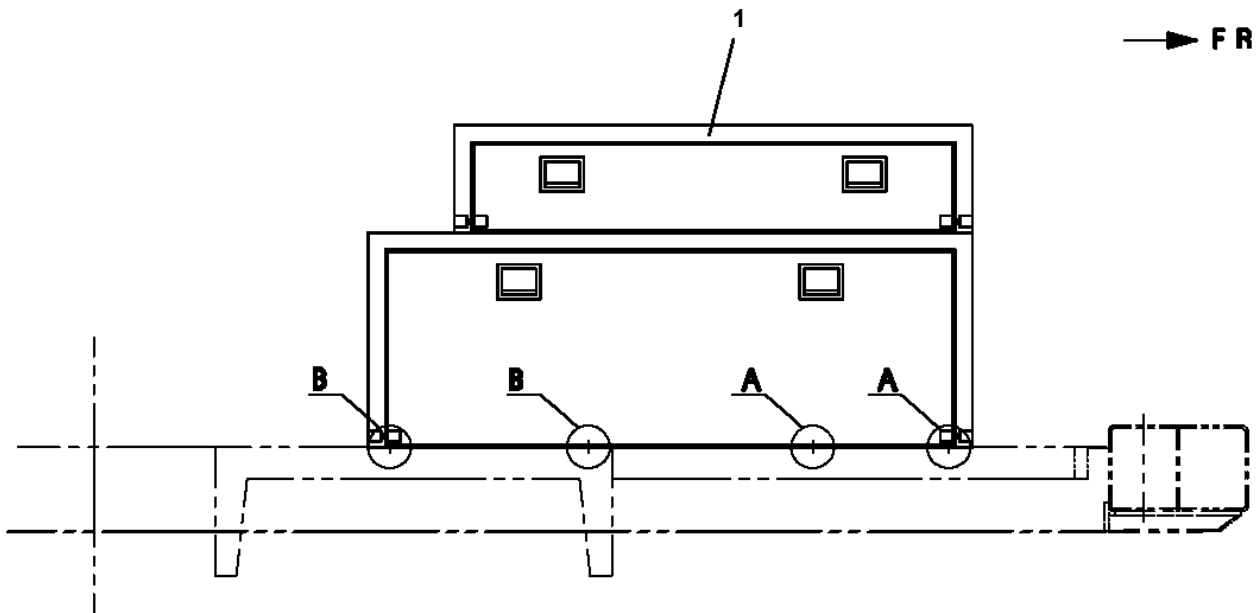
**AT-141-1 42043140400 LOWER,ISUZU NKR58E2N
PX1290087-01 WEIGHT INSTALLATION**



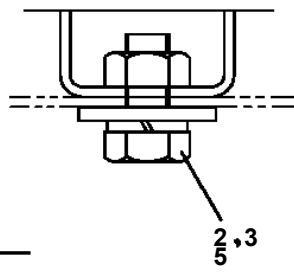
**AT-141-1 42043140400 LOWER,ISUZU NKR58E2N
PX1350090-02 BOX,TOOL (RIGHT)**



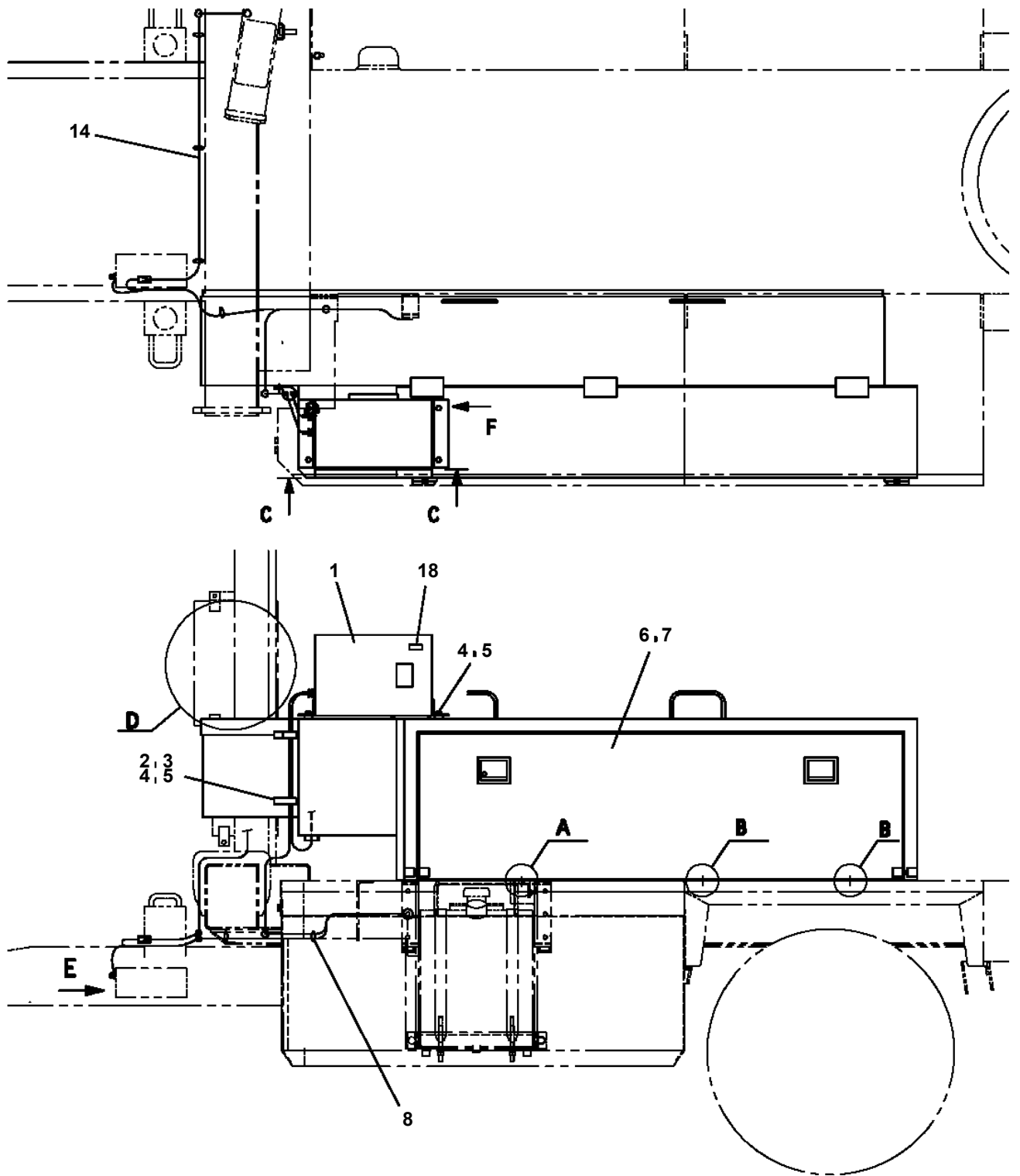
→ **FRONT**



B



AT-141-1 42043140400 LOWER, ISUZU NKR58E2N
PX1350135-03 BOX, TOOL (LEFT WITH DRYER)

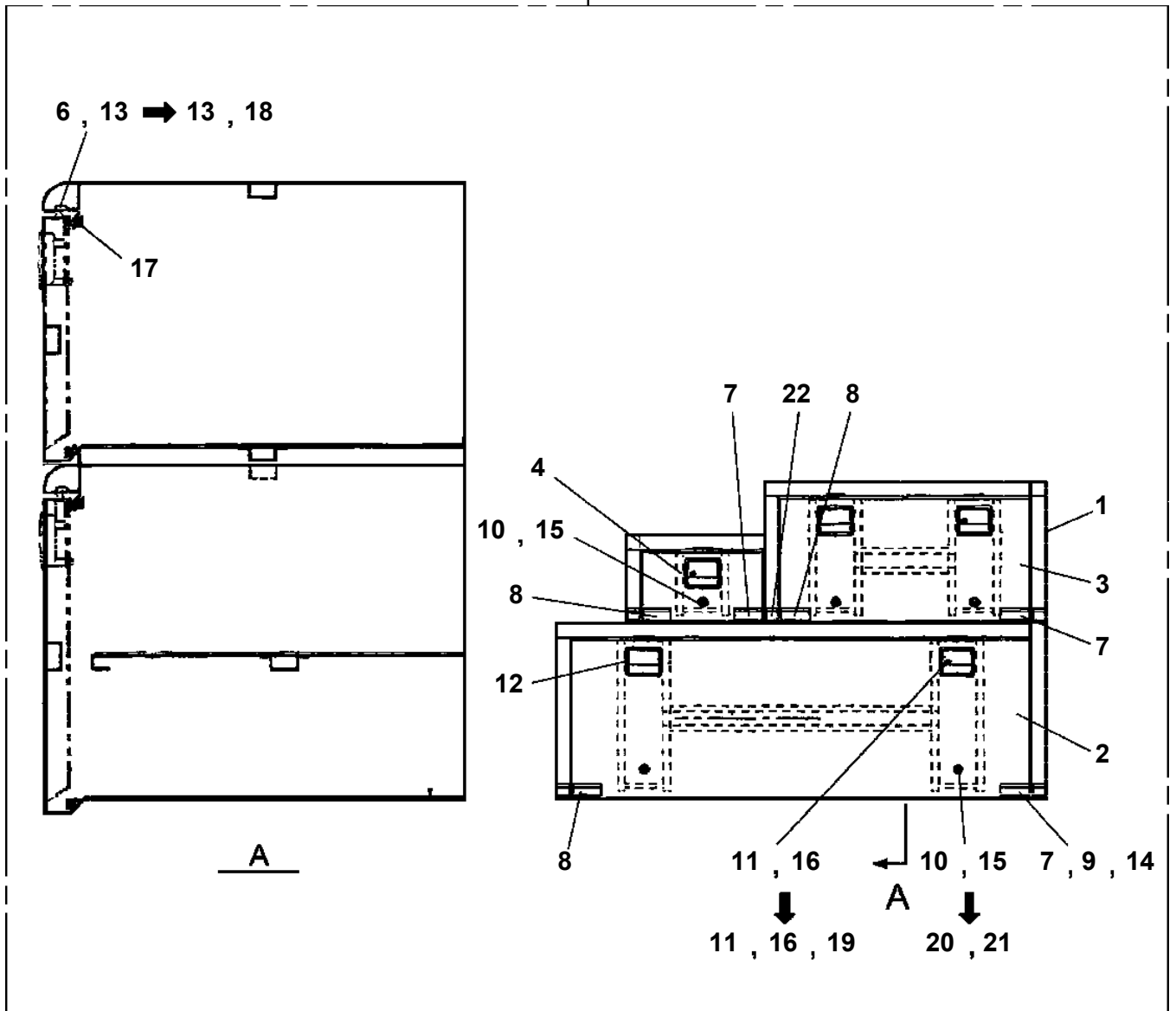


AT-141-1 42043140400 LOWER,ISUZU NKR58E2N

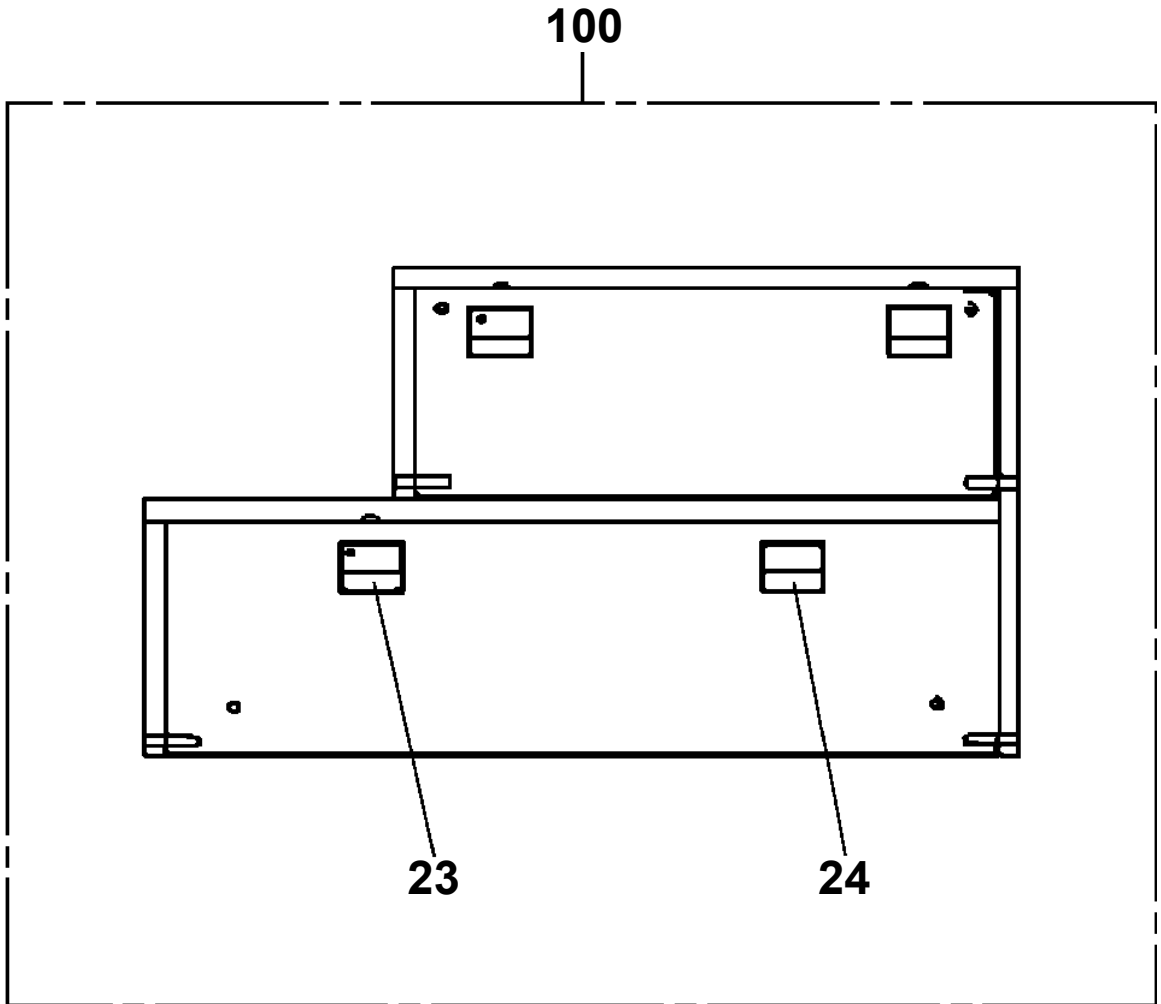
Pos No.	Parts No	Parts Name	Qty	Unit	Technical Data	Serial No (Start)	Serial No (End)	Remarks	Pages
1	42832321000	BOX,TOOL (LEFT)	1						000087
2	90101210025	BOLT	6		M10X25				
3	90302041001	WASHER,SPRING	6		10				
4	90303071001	WASHER,PLAIN	2		10				
5	37000505950	PLATE	4		T=3.2				
6	82100002125	PLUG	2		22.5	226004			

AT-141-1 42043140400 LOWER,ISUZU NKR58E2N
PX1350281-03 BOX,TOOL (RIGHT,FOR SHINDEN)

30



**AT-141-1 42043140400 LOWER,ISUZU NKR58E2N
PX1350342-01 BOX,TOOL**



**AT-141-1 42043140400 LOWER,ISUZU NKR58E2N
PX1350679-00 BOX,TOOL (LEFT/FOR YONDENKO)**

①	ツールボックス インスタレーション TOOL BOX INSTALLATION
②	ステップ インスタレーション STEP INSTALLATION

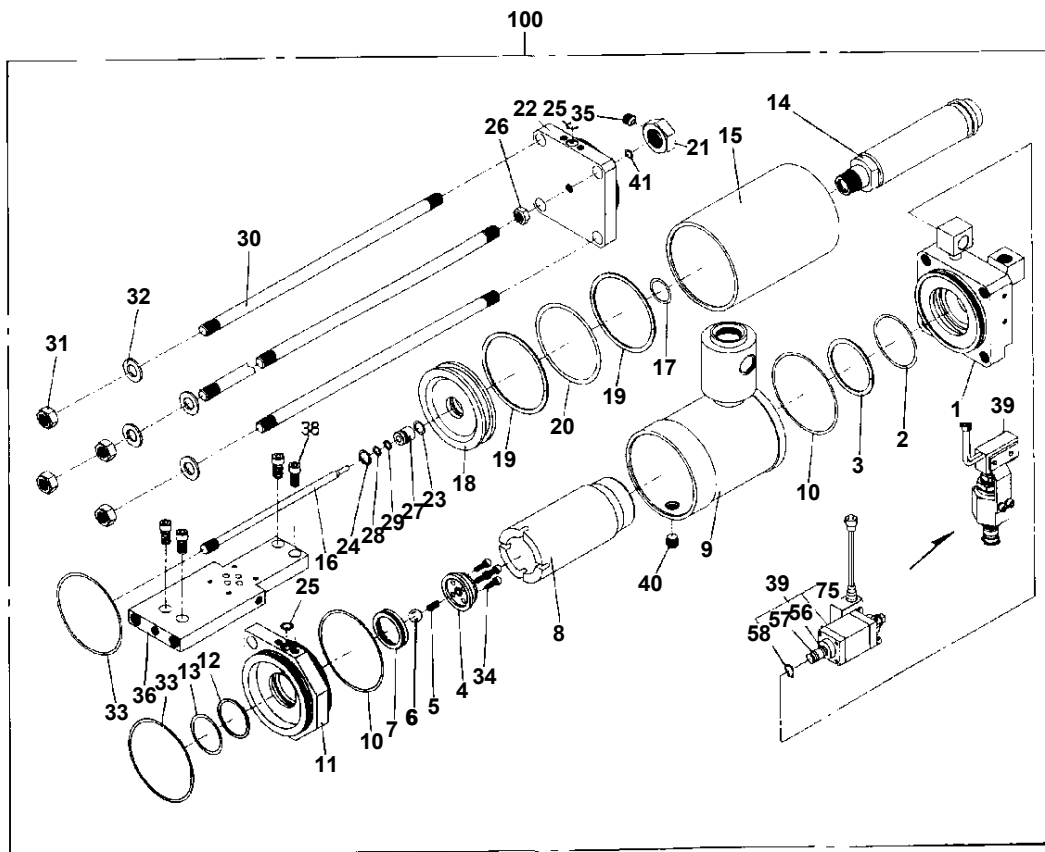
**AT-141-1 42043140400 LOWER,ISUZU NKR58E2N
PX1350684-00 BOX,TOOL**

①	ツール ボックス インスタレーション TOOL BOX INSTALLATION
②	ステップ インスタレーション STEP INSTALLATION

AT-141-1 42043140400 LOWER,ISUZU NKR58E2N
PY1160186-00 BOOSTER

1	パワサプ ライ POWER SUPPLY
2	ブースタ BOOSTER

AT-141-1 42043140400 LOWER,ISUZU NKR58E2N
PY1170032-00 BOOSTER



CLICK HERE TO **DOWNLOAD** THE COMPLETE MANUAL

- Thank you very much for reading the preview of the manual.
- You can download the complete manual from: www.heydownloads.com by clicking the link below



- Please note: If there is no response to CLICKING the link, please download this PDF first and then click on it.

CLICK HERE TO **DOWNLOAD** THE COMPLETE MANUAL