

AT-121-4 43007440423 UPPER,LOWER,ISUZU 2RG-NKR88AN-EE5AHY-JD

PB0000276-02 UPPER STRUCTURE SYSTEM

PB0000513-00 LOWER STRUCTURE SYSTEM

ASSEMBLY

CLICK HERE TO **DOWNLOAD** THE COMPLETE MANUAL

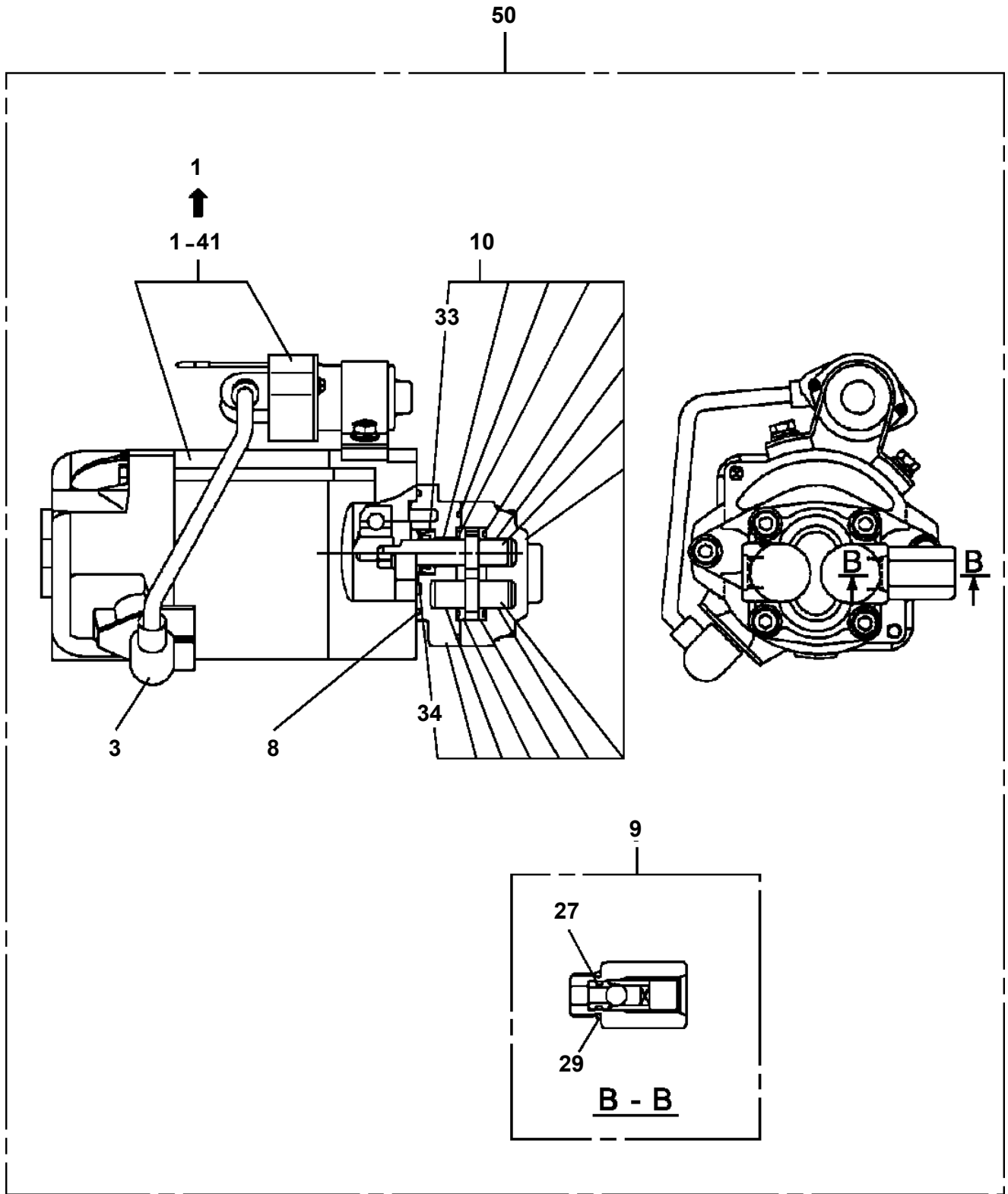
- Thank you very much for reading the preview of the manual.
- You can download the complete manual from: www.heydownloads.com by clicking the link below



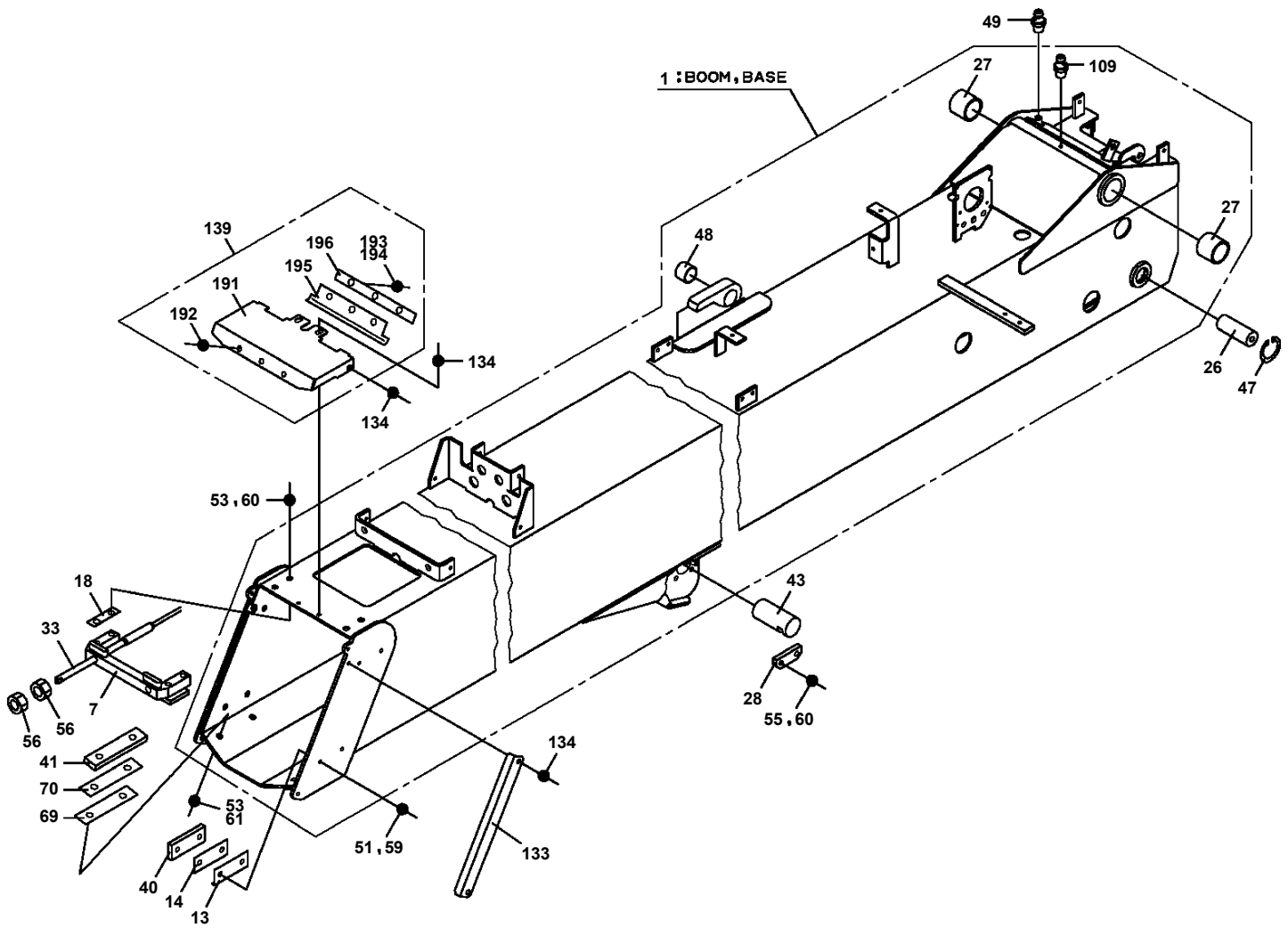
- Please note: If there is no response to CLICKING the link, please download this PDF first and then click on it.

CLICK HERE TO **DOWNLOAD** THE COMPLETE MANUAL

AT-121-4 43007440423 UPPER,LOWER,ISUZU 2RG-NKR88AN-EE5AHY-JD
PB1100101-02 PUMP,HYDRAULIC (EMERGENCY)



**AT-121-4 43007440423 UPPER,LOWER,ISUZU 2RG-NKR88AN-EE5AHY-JD
PB5190250-00 BOOM ASSY**



AT-121-4 43007440423 UPPER,LOWER,ISUZU 2RG-NKR88AN-EE5AHY-JD

Pos No.	Parts No	Parts Name	Qty	Unit	Technical Data	Serial No (Start)	Serial No (End)	Remarks	Pages
1	(*****)	ELEC.ASSY	1						000041
2	(*****)	NAME PLATE ASSY	1						000103

AT-121-4 43007440423 UPPER,LOWER,ISUZU 2RG-NKR88AN-EE5AHY-JD

Pos No.	Parts No	Parts Name	Qty	Unit	Technical Data	Serial No (Start)	Serial No (End)	Remarks	Pages
1	31270642100	COVER (BLACK)	1						
2	31270642200	COVER (BLACK)	1						
3	90101208016	BOLT	4		M8X16				
4	90302040801	WASHER,SPRING	4		8				
5	37000578740	PLATE	4		T=1.6				

AT-121-4 43007440423 UPPER,LOWER,ISUZU 2RG-NKR88AN-EE5AHY-JD

Pos No.	Parts No	Parts Name	Qty	Unit	Technical Data	Serial No (Start)	Serial No (End)	Remarks	Pages
1	42514720010	COVER	1						
2	90302040601	WASHER,SPRING	4		6				
3	37000551250	PLATE	4						
4	90201200600	NUT	4		M6				

AT-121-4 43007440423 UPPER,LOWER,ISUZU 2RG-NKR88AN-EE5AHY-JD

Pos No.	Parts No	Parts Name	Qty	Unit	Technical Data	Serial No (Start)	Serial No (End)
1	36028371000	CYLINDER	1				
2	36026159530	COVER,ROD	1				
3	80612110400	RING,RITAINING	1		AR40		
4	91002907000	O-RING	1		1B G70		
5	80801003525	BEARING,PLAIN	1				
6	91694003500	PACKING	1				
7	91410203501	RING,BACKUP	1				
8	91660003501	SEAL,DUST	1				
9	91002907500	O-RING	1		1B G75		
10	90302042401	WASHER,SPRING	1		24		
11	90209402400	NUT	1		M24		
12	36028370010	PISTON	1				
13	91002802000	O-RING	1		1B P20		
14	36028379510	ROD ASSY	1				
15	90303072401	WASHER,PLAIN	1		24		
16	82455106000	NIPPLE,GREASE	1		A-M6F FE		
17	91350207500	BEARING,PLAIN (WITH PACKINGX2)	1				
18	80541700030	BEARING,SPHERICAL (NTN)	1		SA4-30B		
50	36026489900	PACKING SET	1		35X75		
100	36028370000	CYLINDER ASSY,LEVELING (LOWER)	1				

AT-121-4 43007440423 UPPER,LOWER,ISUZU 2RG-NKR88AN-EE5AHY-JD

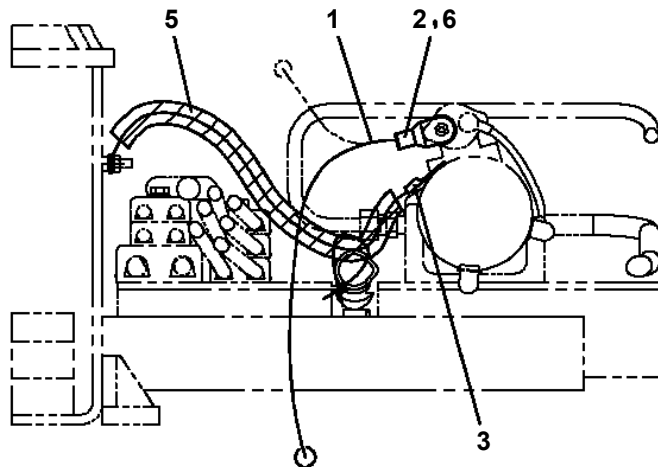
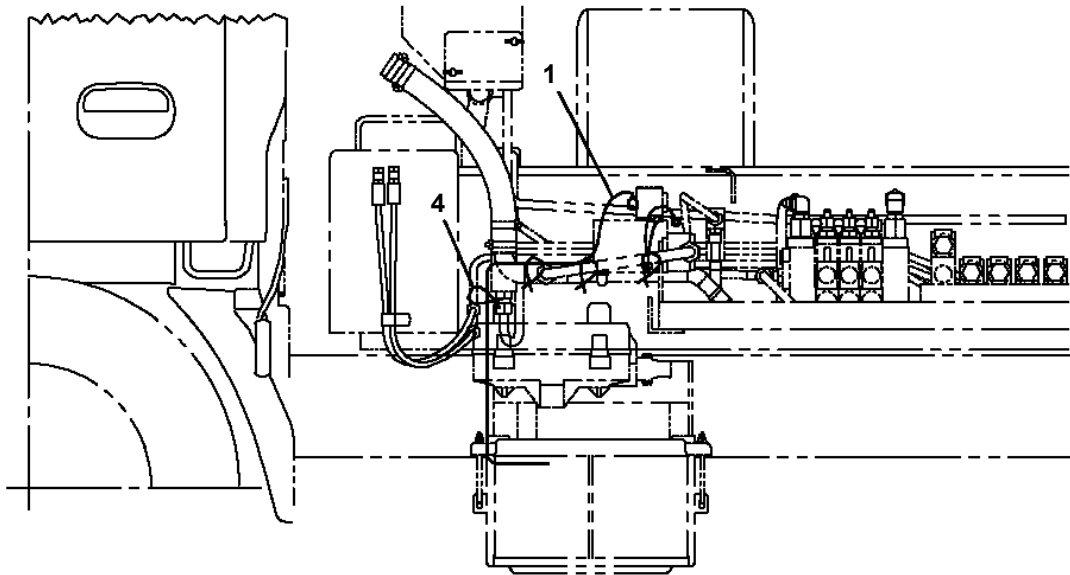
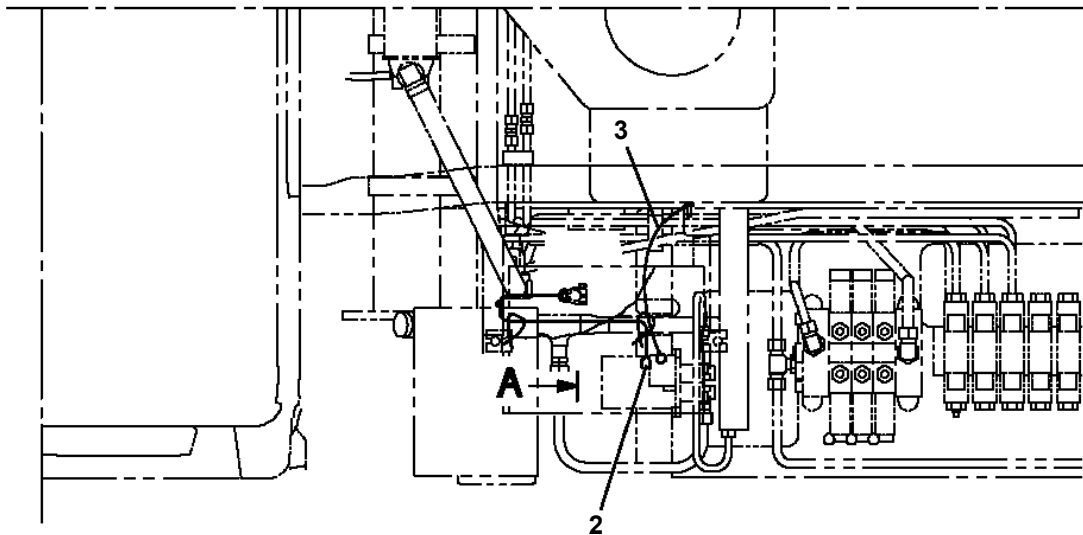
Pos No.	Parts No	Parts Name	Qty	Unit	Technical Data	Serial No (Start)	Ser
1	36081325090	RING,SNAP	1				
2	36081325010	SPACER	1				
3	36081325080	SHIM SET	1				
4	36081325110	BEARING,TAPER ROLLER	1				
5	36081325020	WORM	1				
6	36081325120	BEARING,TAPER ROLLER	1				
7	36080755040	GAUGE,OIL	1				
8	36080235080	WASHER,SEAL	1		M16		
9	80316090060	PLUG	1		KKT PT3/8		
12	91280431931	SEAL,OIL	1				
13	36081325050	CASE,GEAR	1				
14	36081325130	BEARING,BALL(METAL SHIELD TYPE 6210ZZC3)	1				
15	36081325140	BEARING,BALL (RUBBER SEAL TYPE 6210LLU)	1				
16	36080495050	BOLT,SEMS (M10X25,WITH WASHER)	9				
17	36080505080	KEY	1				
18	36081325060	WHEEL,WORM	1				
19	36081325070	CASE,GEAR	1				
20	80500006209	BEARING,BALL	1				
21	80601110450	RING,RITAINING	1		S45		
22	36080015000	PIN	2				
23	82400000478	BREATHER	1				
31	36081615500	GEAR,SPUR	1				
50	36081610000	REDUCER,SWING SPEED	1				

AT-121-4 43007440423 UPPER,LOWER,ISUZU 2RG-NKR88AN-EE5AHY-JD

Pos No.	Parts No	Parts Name	Qty	Unit	Technical Data	Serial No (Start)	Serial No (End)	Remarks
1	36140510000	DETECTOR ASSY,ANGLE	1					
2	42652480010	PLATE	1					
3	42651620400	COVER	1					
4	90101208016	BOLT	6		M8X16			
5	90302040801	WASHER,SPRING	6		8			
6	90101206014	BOLT	2		M6X14			
7	90302040601	WASHER,SPRING	2		6			
8	91810130240	FASTENER	8					
9	37000500060	PLATE	2					
10	42512391100	HARNES	1					
32	82400000201	GROMMET	1		KG-016			

AT-121-4 43007440423 UPPER,LOWER,ISUZU 2RG-NKR88AN-EE5AHY-JD
PE5021377-00 ELEC.ASSY

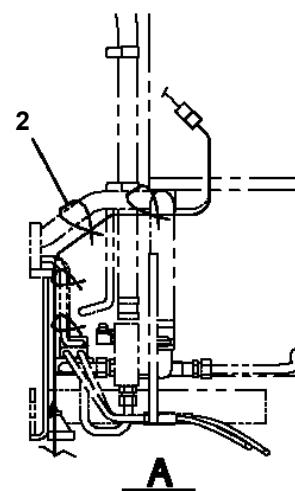
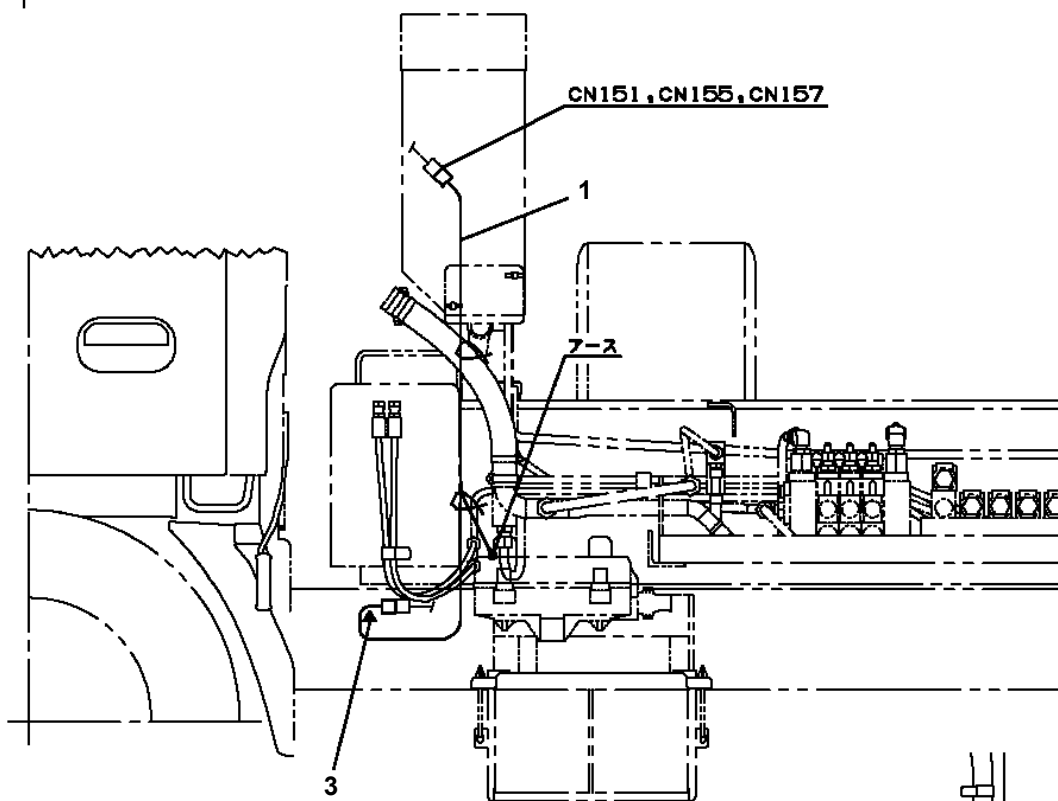
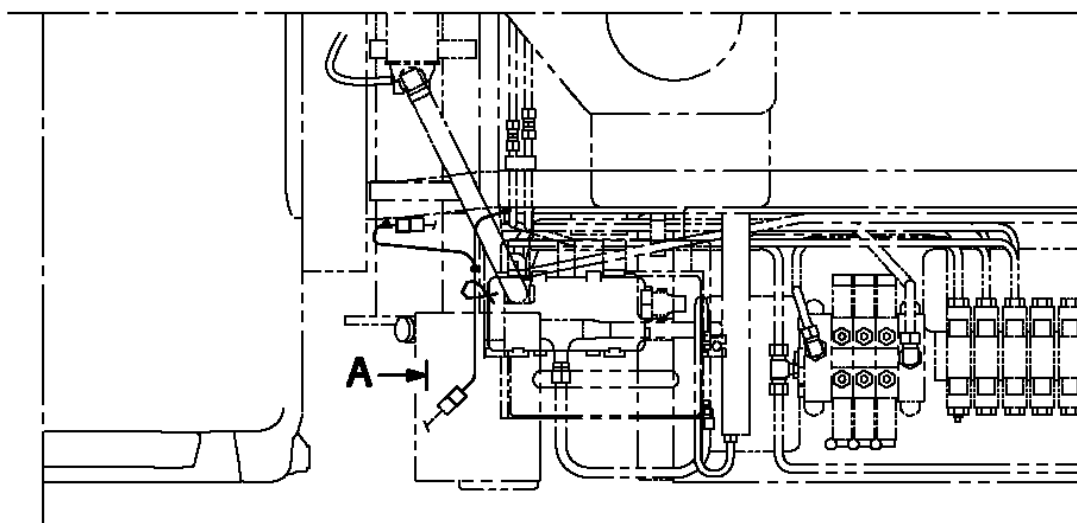
FRONT ←



A

AT-121-4 43007440423 UPPER,LOWER,ISUZU 2RG-NKR88AN-EE5AHY-JD
PE5070162-00 ELEC.ASSY,CARRIER

FRONT ←



AT-121-4 43007440423 UPPER,LOWER,ISUZU 2RG-NKR88AN-EE5AHY-JD

Pos No.	Parts No	Parts Name	Qty	Unit	Technical Data	Serial No (Start)	Serial No (End)
1	42627531000	FRAME ASSY	1				HJ5298
	42627531001	FRAME ASSY	1			HJ5299	
2	42627240102	COVER ASSY	1				HJ5298
	42627240103	COVER ASSY	1			HJ5299	
3	82400000314	HINGE	2				
4	80192485014	SCREW,MACHINE (WITH WASHER)	4		M5X14		
5	90201200500	NUT	8		M5		
6	90101205020	BOLT	4		M5X20		
7	90302040501	WASHER,SPRING	4		5		HJ5298
	90302040501	WASHER,SPRING	6		5	HJ5299	
8	42627250100	FENDER	1				HJ5298
	42627250101	FENDER	1			HJ5299	
9	37000549940	PLATE	5		T=3.2		
10	90302041001	WASHER,SPRING	5		10		
11	90101210020	BOLT	5		M10X20		
12	42627250200	SUPPORT	1				
13	42627250400	COVER	1				
14	90101206012	BOLT	6		M6X12		
15	90302040601	WASHER,SPRING	6		6		
16	90303070601	WASHER,PLAIN	6		6		
17	90303070501	WASHER,PLAIN	4		5		HJ5298
	90303070501	WASHER,PLAIN	6		5	HJ5299	
18	42627240200	SUPPORT	1			HJ5299	
19	34700161000	LEVEL	1			HJ5299	
20	90101208016	BOLT	2		M8X16	HJ5299	
21	90302040801	WASHER,SPRING	2		8	HJ5299	
22	90303070801	WASHER,PLAIN	2		8	HJ5299	
23	82460015102	STOPPER	1			HJ5299	
24	80172805010	SCREW,MACHINE	2		M5X10	HJ5299	
52	82460025402	CATCH	1				
53	82400000393	INSULATOR	1				
54	42627240150	RUBBER	1				HJ5298
	42627240120	RUBBER	1			HJ5299	
55	80175305014	SCREW,MACHINE	4		M5X14		
56	90303070501	WASHER,PLAIN	4		5		
57	90302040501	WASHER,SPRING	4		5		
58	90201200500	NUT	4		M5		
59	90303070301	WASHER,PLAIN	2		3		
60	90302040301	WASHER,SPRING	1		3		
61	90201200300	NUT	1		M3		
62	80172303016	SCREW,MACHINE	1		M3X16		
72	42627250120	RUBBER	1				

AT-121-4 43007440423 UPPER,LOWER,ISUZU 2RG-NKR88AN-EE5AHY-JD

Pos No.	Parts No	Parts Name	Qty	Unit	Technical Data	Serial No (Start)	Serial No (End)	Remarks	Pages
1	42509550101	GUARD	1						
2	90162160200	U-BOLT	6		M10				
3	37000585940	PLATE	6		T=4.5				
4	90202201000	NUT	12		M10				
5	90240201000	NUT,CAP	12		M10				

AT-121-4 43007440423 UPPER,LOWER,ISUZU 2RG-NKR88AN-EE5AHY-JD

Pos No.	Parts No	Parts Name	Qty	Unit	Technical Data	Serial No (Start)	Serial No (End)	Remarks	Pages
1	42355900200	HARNESS	1						

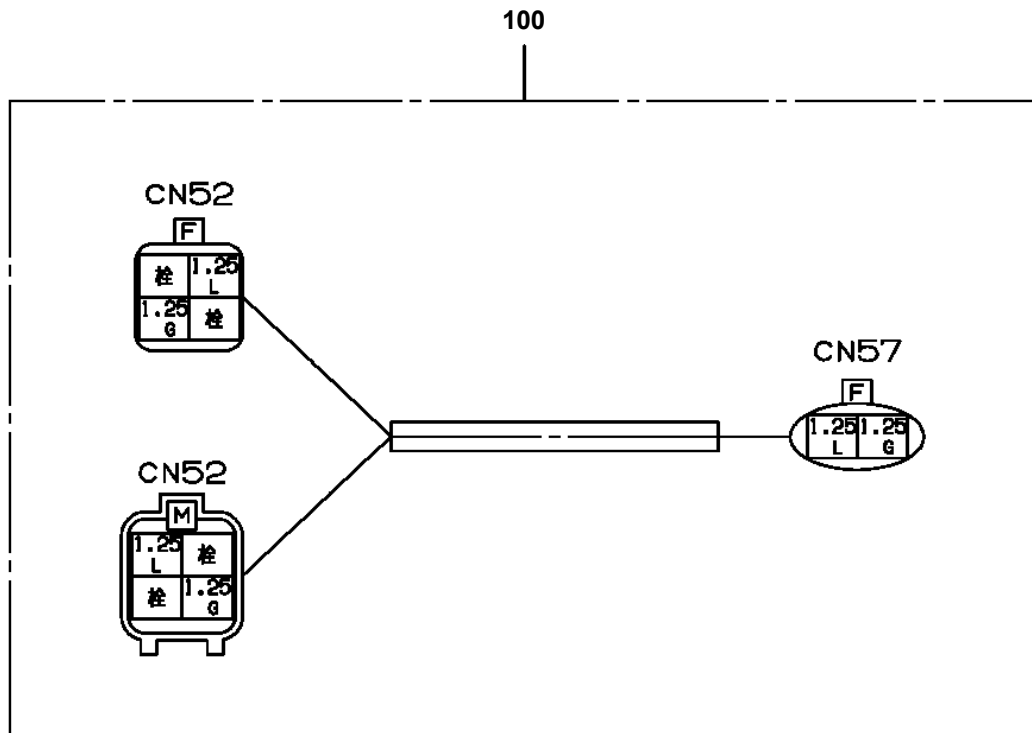
AT-121-4 43007440423 UPPER,LOWER,ISUZU 2RG-NKR88AN-EE5AHY-JD

Pos No.	Parts No	Parts Name	Qty	Unit	Technical Data	Serial No (Start)	Serial No (End)	Remarks	Pages
100	42512391100	HARNESS	1						

AT-121-4 43007440423 UPPER,LOWER,ISUZU 2RG-NKR88AN-EE5AHY-JD

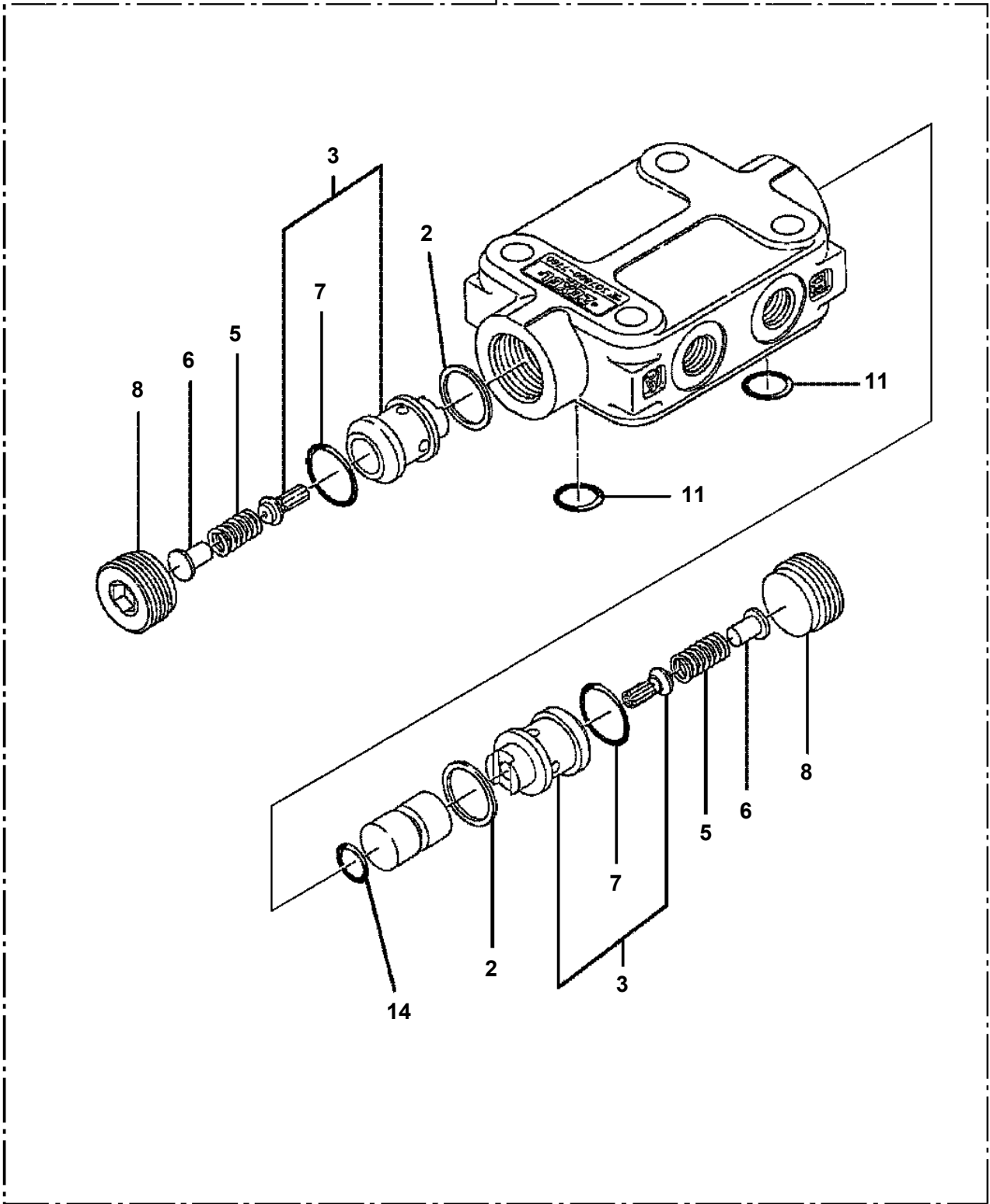
Pos No.	Parts No	Parts Name	Qty	Unit	Technical Data	Serial No (Start)	Serial No (End)	Remarks	Pages
1	42514791300	HARNESS	1						

AT-121-4 43007440423 UPPER,LOWER,ISUZU 2RG-NKR88AN-EE5AHY-JD
PH5034172-00 HARNESS



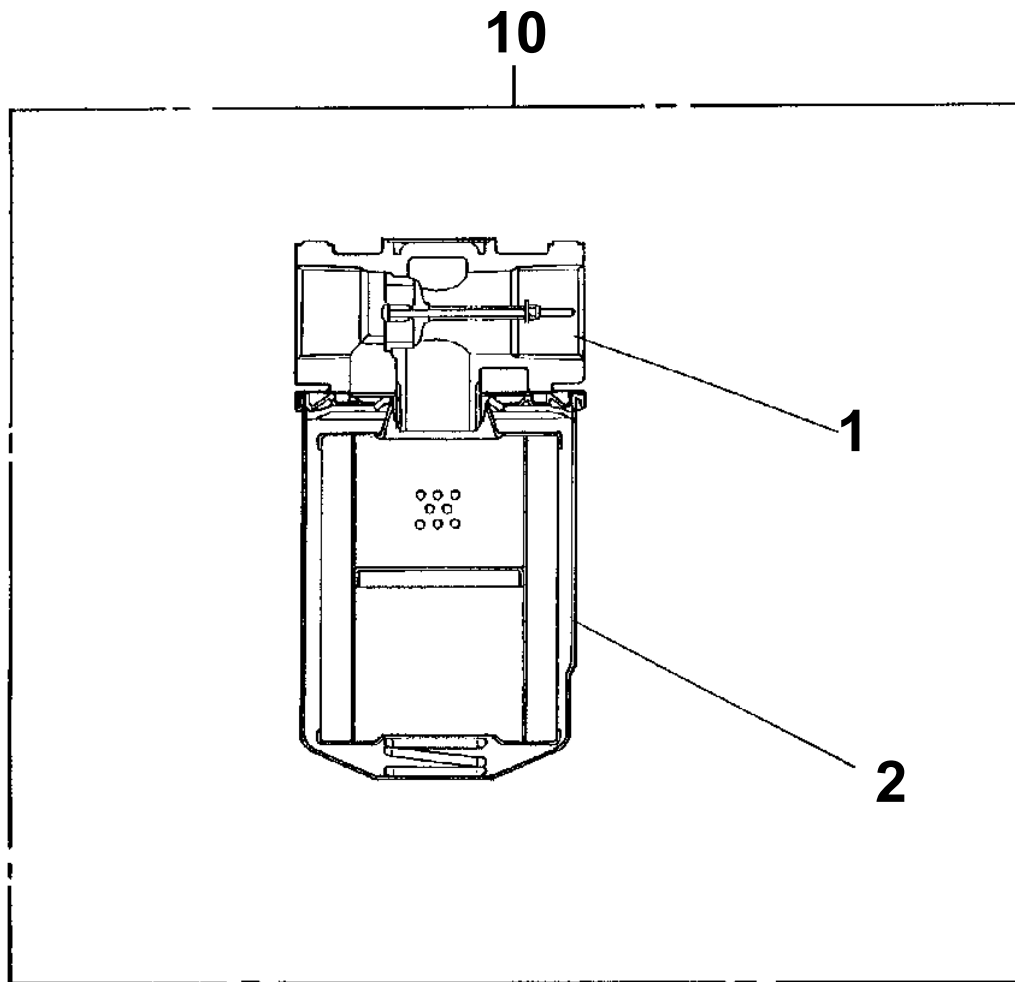
AT-121-4 43007440423 UPPER,LOWER,ISUZU 2RG-NKR88AN-EE5AHY-JD
PI1140133-01 VALVE,CHECK

100 → (A)

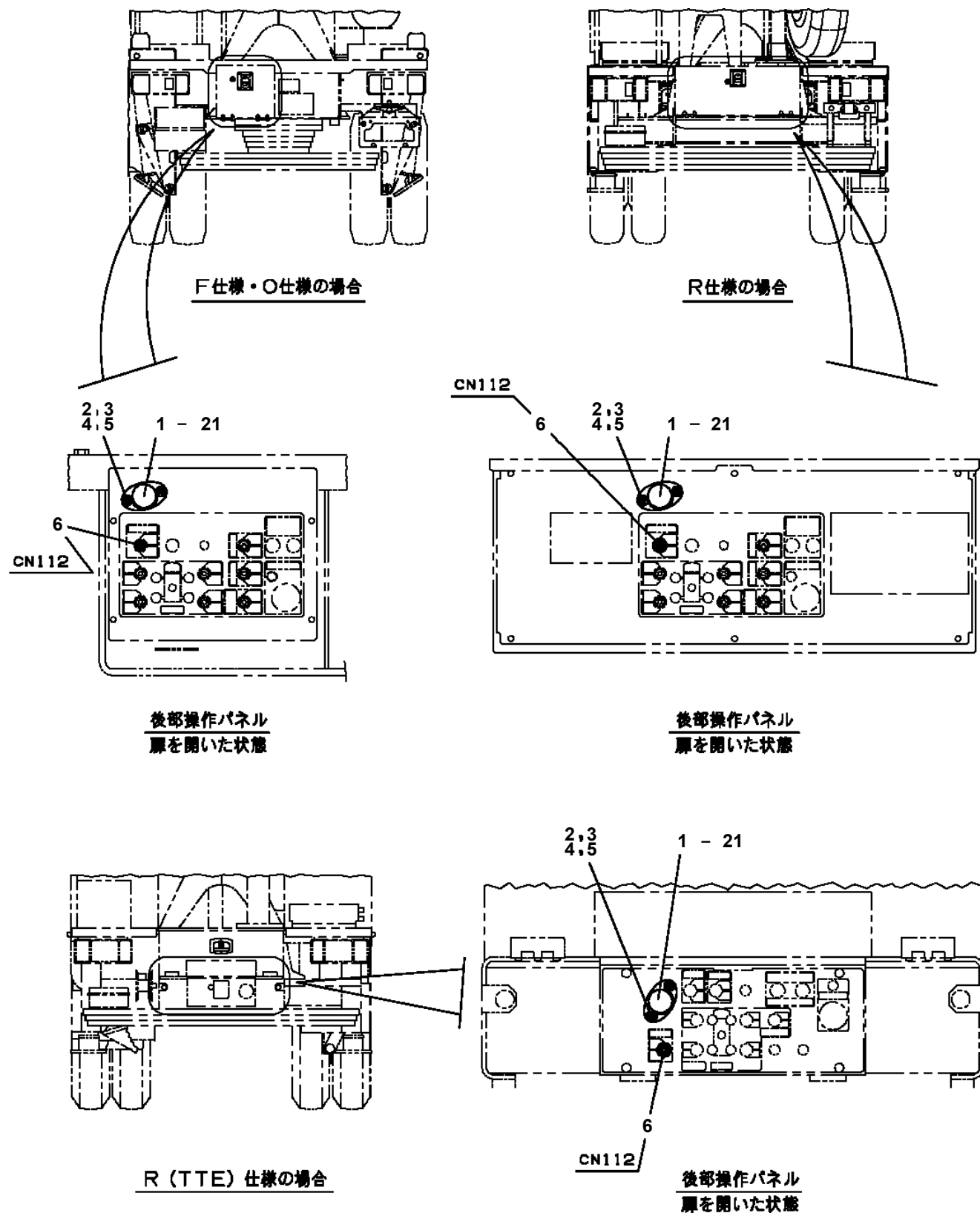


AT-121-4 43007440423 UPPER,LOWER,ISUZU 2RG-NKR88AN-EE5AHY-JD
PI1300061-02 FILTER,OIL (YAMASHIN)

Assembly Name FILTER, OIL



AT-121-4 43007440423 UPPER,LOWER,ISUZU 2RG-NKR88AN-EE5AHY-JD
 PL5020050-01 LAMP ASSY (LOWER O/R OPERATION)



CLICK HERE TO **DOWNLOAD** THE COMPLETE MANUAL

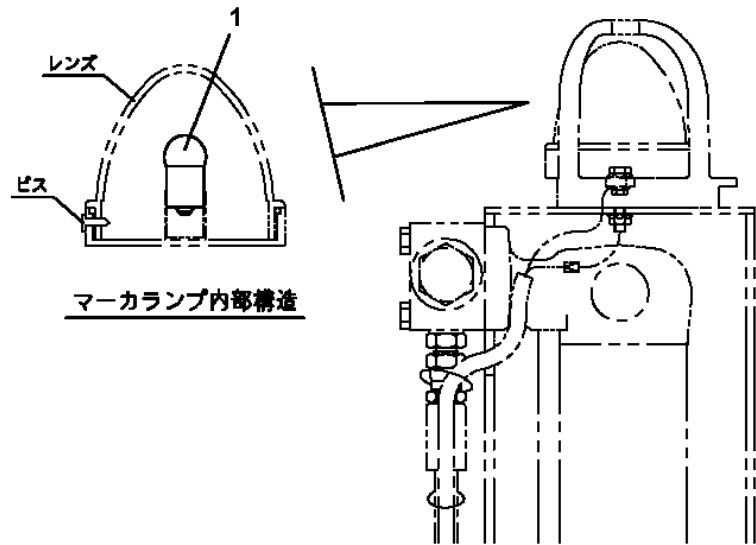
- Thank you very much for reading the preview of the manual.
- You can download the complete manual from: www.heydownloads.com by clicking the link below



- Please note: If there is no response to CLICKING the link, please download this PDF first and then click on it.

CLICK HERE TO **DOWNLOAD** THE COMPLETE MANUAL

AT-121-4 43007440423 UPPER,LOWER,ISUZU 2RG-NKR88AN-EE5AHY-JD
PM5150489-00 MODIFICATION ASSY (YELLOW MARKER LAMP/LED)



アウトリガジャッキ上部 (4ヶ所)

AT-121-4 43007440423 UPPER,LOWER,ISUZU 2RG-NKR88AN-EE5AHY-JD

Pos No.	Parts No	Parts Name	Qty	Unit	Technical Data	Serial No (Start)	Serial
1	34398867400	PLATE,NAME (THIS MACHINE IS JAPAN SPEC)	1				
2	34353831200	PLATE,NAME (TELEMATICS)	1				

AT-121-4 43007440423 UPPER,LOWER,ISUZU 2RG-NKR88AN-EE5AHY-JD

Pos No.	Parts No	Parts Name	Qty	Unit	Technical Data	Serial No (Start)	Serial No (End)	Remarks	Pages
1	44391691080	PLATE,NAME	1						

AT-121-4 43007440423 UPPER,LOWER,ISUZU 2RG-NKR88AN-EE5AHY-JD PN5012249-01 NAME PLATE ASSY (VEHICLE)

25

AMC作業開始前点検

点検開始

- フットスイッチを押し、車両を停止させる。
- フームの傾斜、急降下等でバケット位置を確認する。
- スイッチを押してAMCが正常に動作しているかを確認する。
- スイッチを押しながら、急降下防止機能をテストする。
- 急降下防止スイッチが正常に動作していることを確認する。

点検項目

- フームの傾斜、急降下を確認する。
- スイッチを押してAMCが正常に動作しているかを確認する。
- 急降下防止スイッチが正常に動作していることを確認する。

点検完了

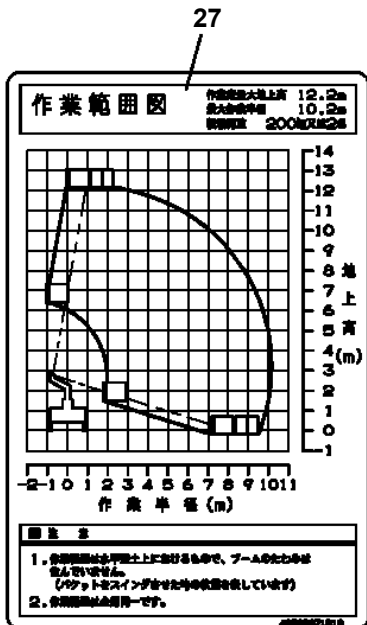
作業開始

異常発生時 (IFAIL) 確認

26

フーム操作方法

- フーム操作は下部優先スイッチを先に入れてからフーム操作スイッチを操作してください。
- 非常用ポンプ使用時は下部優先スイッチを入れなくてもフーム操作ができます。
- 下部優先スイッチを入れている間はバケット側のフーム操作はできません。



28

グリース給脂

番号	名称	種類	容量	給脂回数	
				100h	1年
1	フットスイッチ	潤滑	40ml	0	0
2	急降下防止スイッチ	潤滑	40ml	0	0
3	急降下防止ポンプ	潤滑	40ml	0	0
4	急降下防止	潤滑	40ml	0	0
5	急降下防止ポンプ	潤滑	40ml	0	0
6	急降下防止ポンプ	潤滑	40ml	0	0
7	急降下防止ポンプ	潤滑	40ml	0	0
8	急降下防止ポンプ	潤滑	40ml	0	0
9	急降下防止ポンプ	潤滑	40ml	0	0
10	急降下防止ポンプ	潤滑	40ml	0	0
11	急降下防止ポンプ	潤滑	40ml	0	0
12	急降下防止ポンプ	潤滑	40ml	0	0
13	急降下防止ポンプ	潤滑	40ml	0	0

30

■注記 / 非常スイッチ

- 非常スイッチを使用すると急降下防止機能は働きます。キャブとの接続に注意してフームを操作してください。
- 非常スイッチを使用するとフームインターロックは働きます。転倒の恐れがありますので必ずフームを接続してからジャッキ操作をしてください。

31

非常操作方法

AMCの故障等で通常の操作ができない場合、非常スイッチをONにしたままフーム、ジャッキを操作してください。

33

非常操作

フーム

ジャッキ

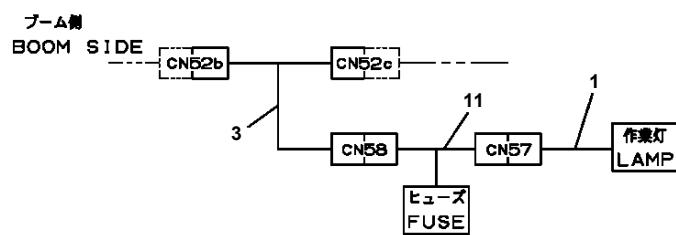
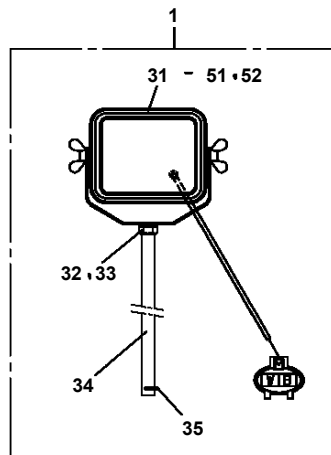
AT-121-4 43007440423 UPPER,LOWER,ISUZU 2RG-NKR88AN-EE5AHY-JD

Pos No.	Parts No	Parts Name	Qty	Unit	Technical Data	Serial No (Start)	Serial No (End)
1	42510262010	PLATE,NAME (JACK HORIZONTAL)	1				

AT-121-4 43007440423 UPPER,LOWER,ISUZU 2RG-NKR88AN-EE5AHY-JD

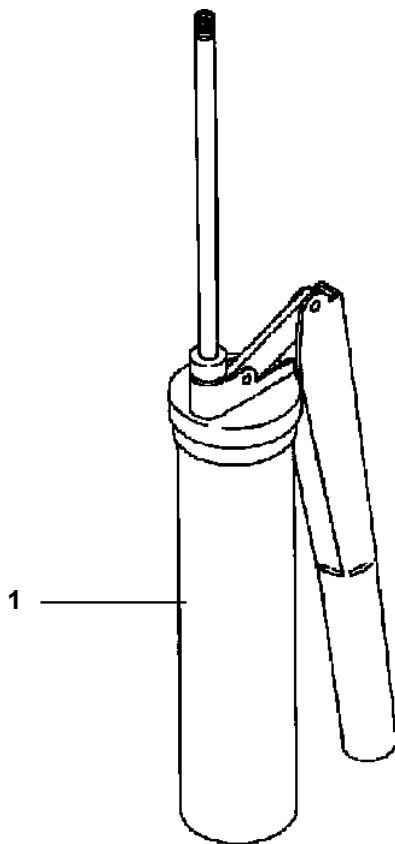
Pos No.	Parts No	Parts Name	Qty	Unit	Technical Data	Serial No (Start)	Serial No (End)	Remarks	Pages
8	90171116060	BOLT	24		M16X60				
9	90303501601	WASHER,PLAIN	52		16				
10	90201781600	NUT	24		M6				
11	90171116035	BOLT	4		M16X35				
12	82108501250	SWITCH	4						
13	42615410010	SUPPORT	4						
14	90302040801	WASHER,SPRING	12		8				
15	90101208012	BOLT	12		M8X12				
17	42615410200	SUPPORT	2						
19	82401800080	PLUG (FOR M8)	12						
21	42615412000	OUTRIGGER ASSY	4						00012

AT-121-4 43007440423 UPPER,LOWER,ISUZU 2RG-NKR88AN-EE5AHY-JD
 PP5100216-00 PARTS ASSY,ELECTRICITY

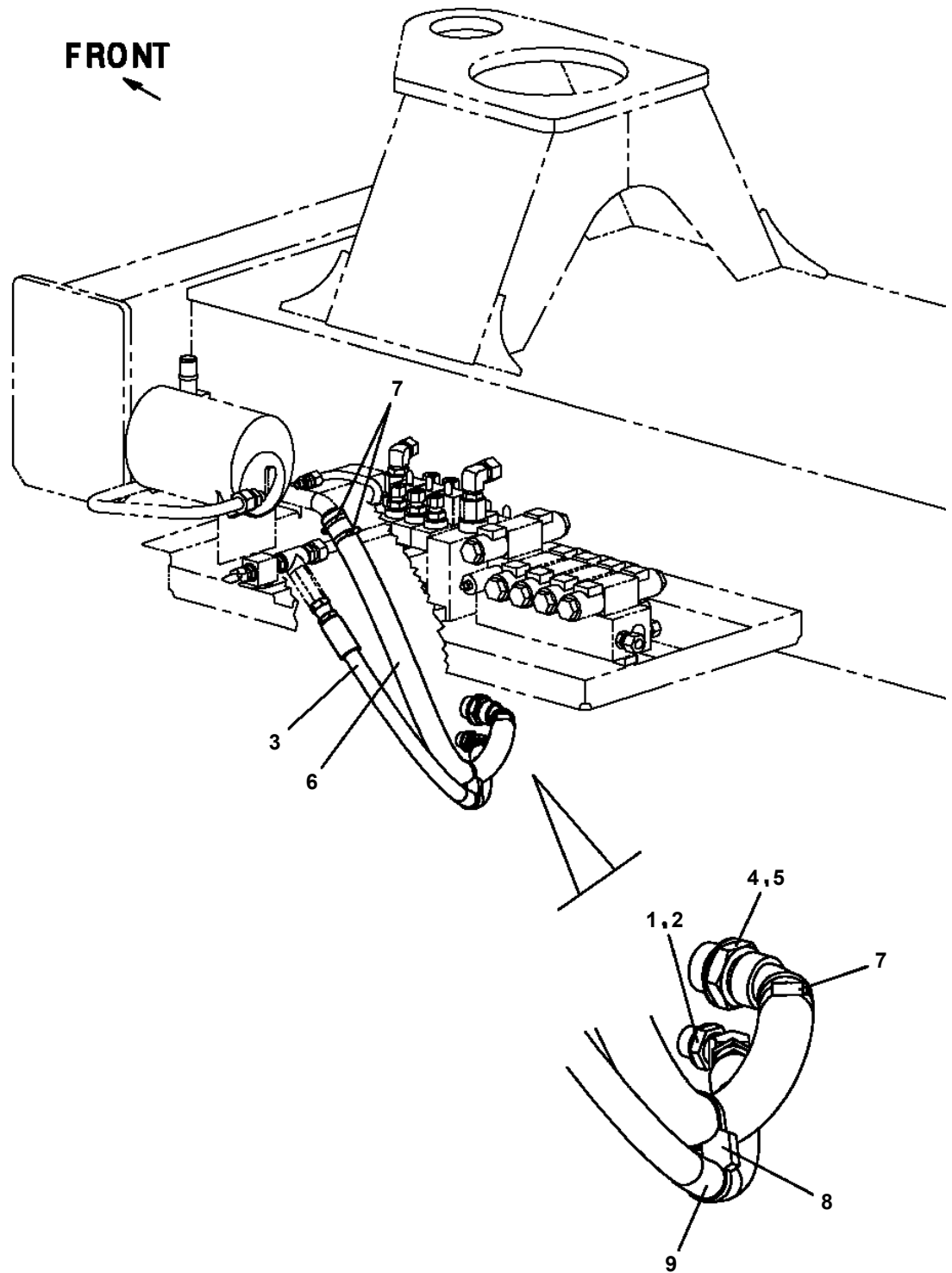


接続詳細
DETAIL OF CONNECTION

**AT-121-4 43007440423 UPPER,LOWER,ISUZU 2RG-NKR88AN-EE5AHY-JD
PP5450004-00 PUMP, GREASE (400CC)**

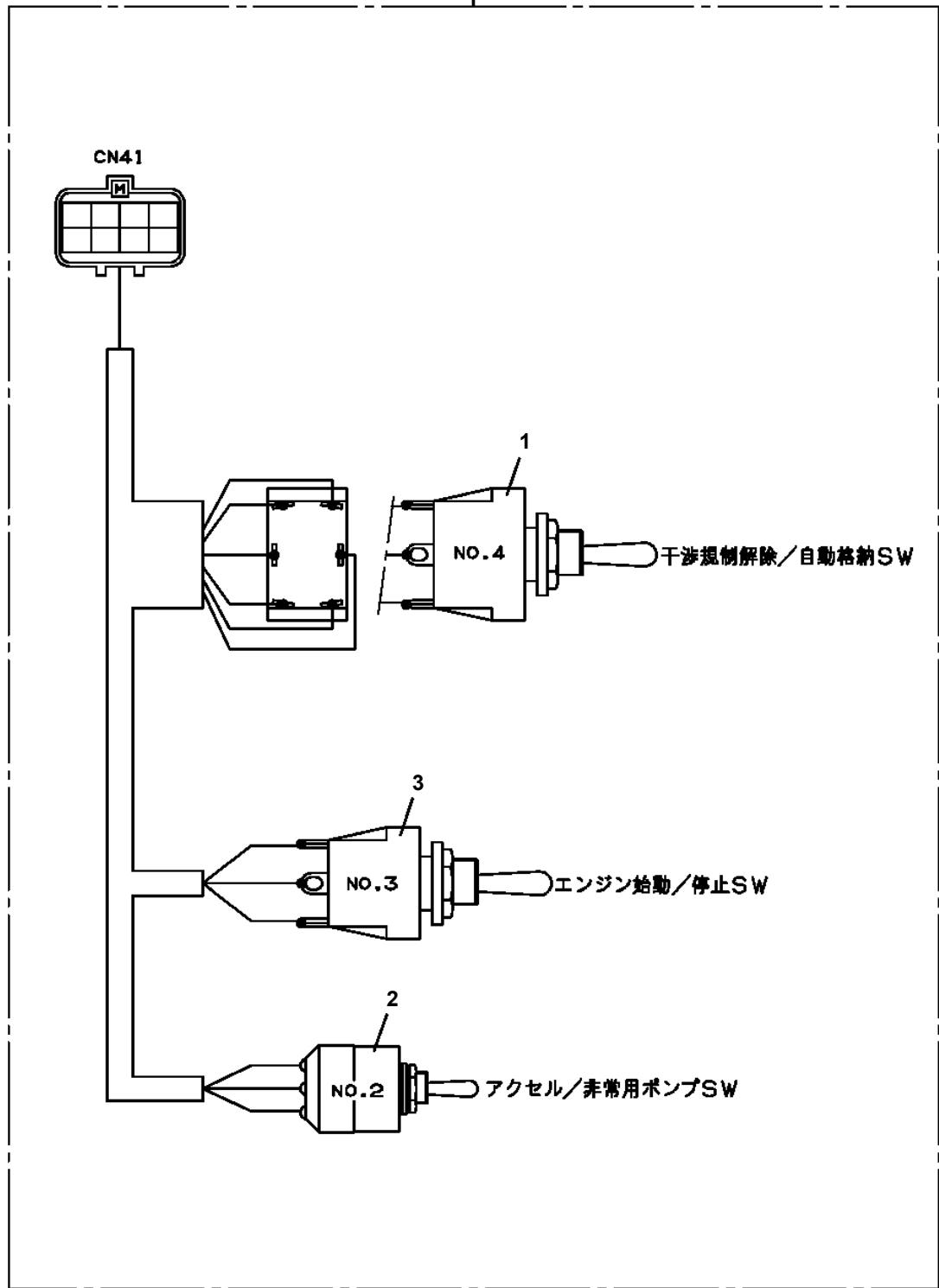


AT-121-4 43007440423 UPPER,LOWER,ISUZU 2RG-NKR88AN-EE5AHY-JD
PP6210066-00 PIPING ASSY,MOUNTING

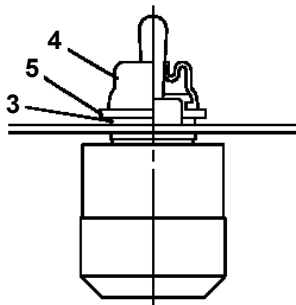
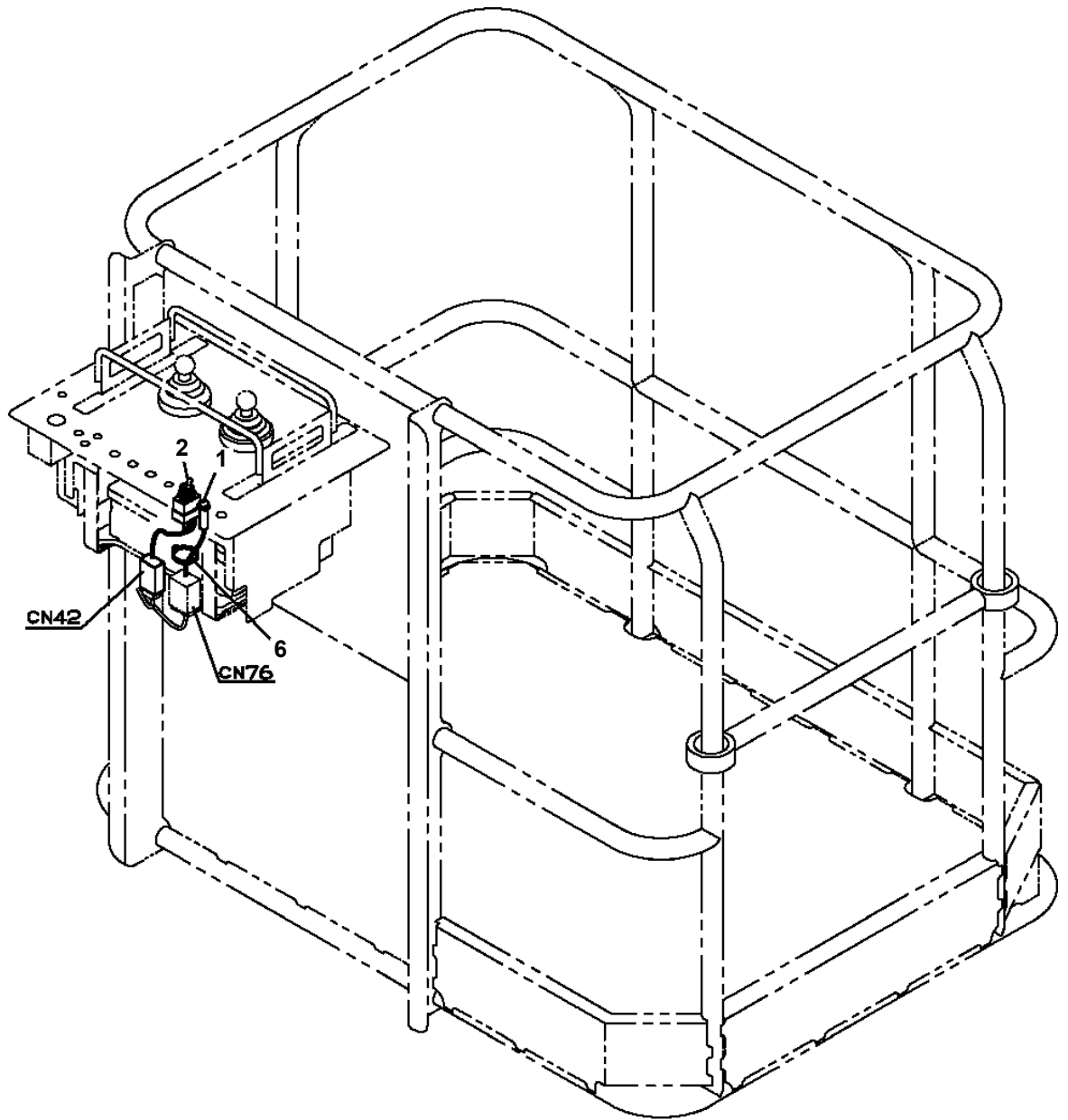


AT-121-4 43007440423 UPPER,LOWER,ISUZU 2RG-NKR88AN-EE5AHY-JD
PS5530130-00 SWITCH ASSY (WITH HARNESS,3 SW)

10

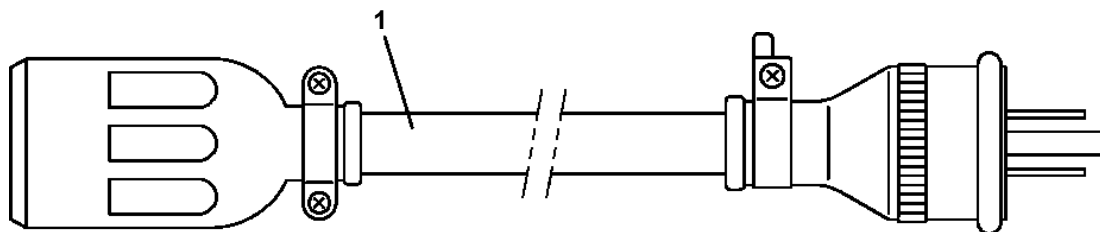


AT-121-4 43007440423 UPPER,LOWER,ISUZU 2RG-NKR88AN-EE5AHY-JD
PS5530470-00 SWITCH ASSY

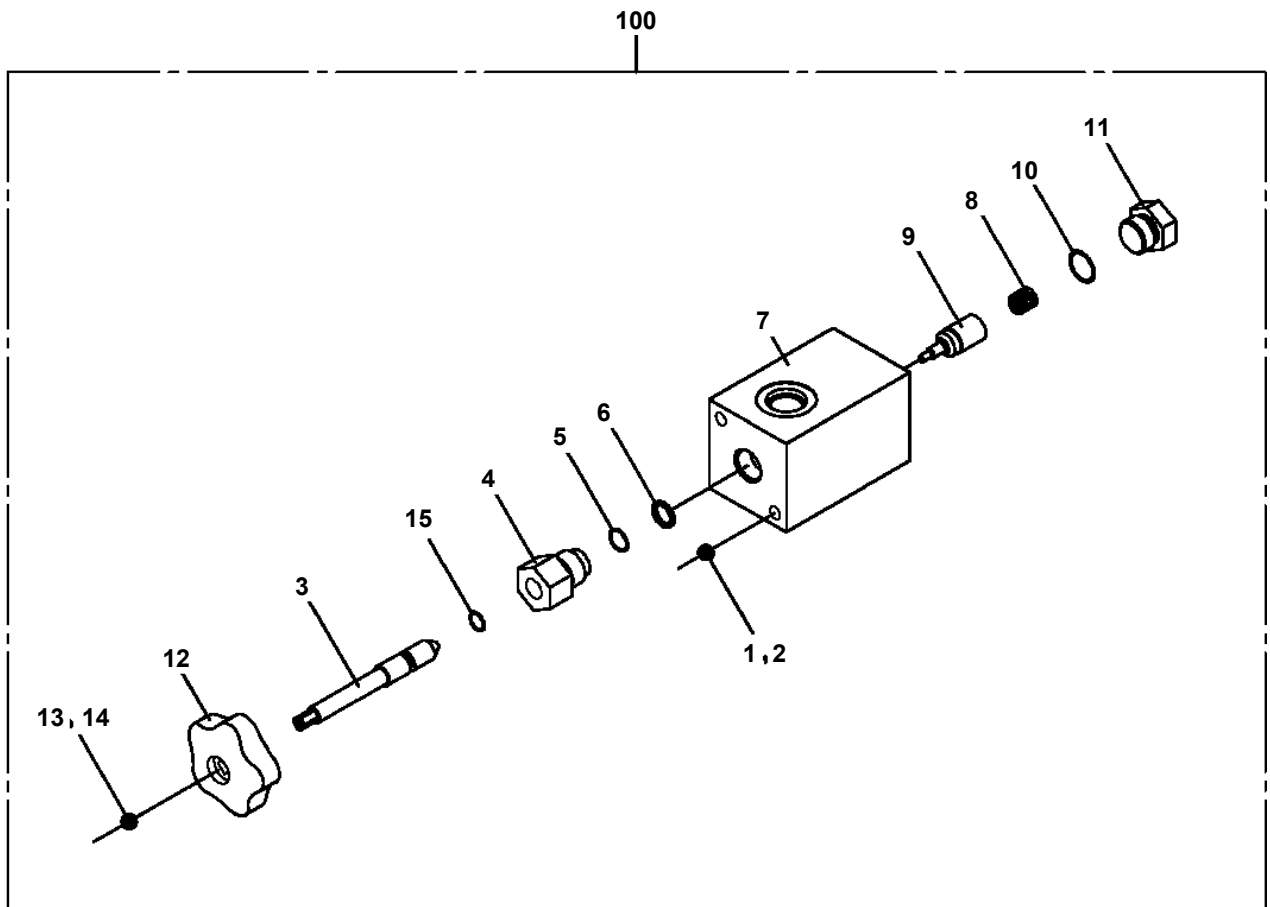


トグルSW
TOGGLE SW

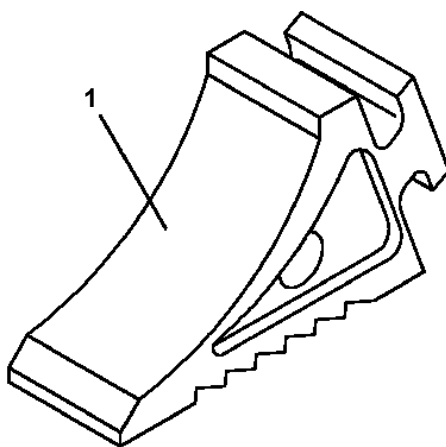
AT-121-4 43007440423 UPPER,LOWER,ISUZU 2RG-NKR88AN-EE5AHY-JD
PV1300020-00 CABLE (3 POLE)



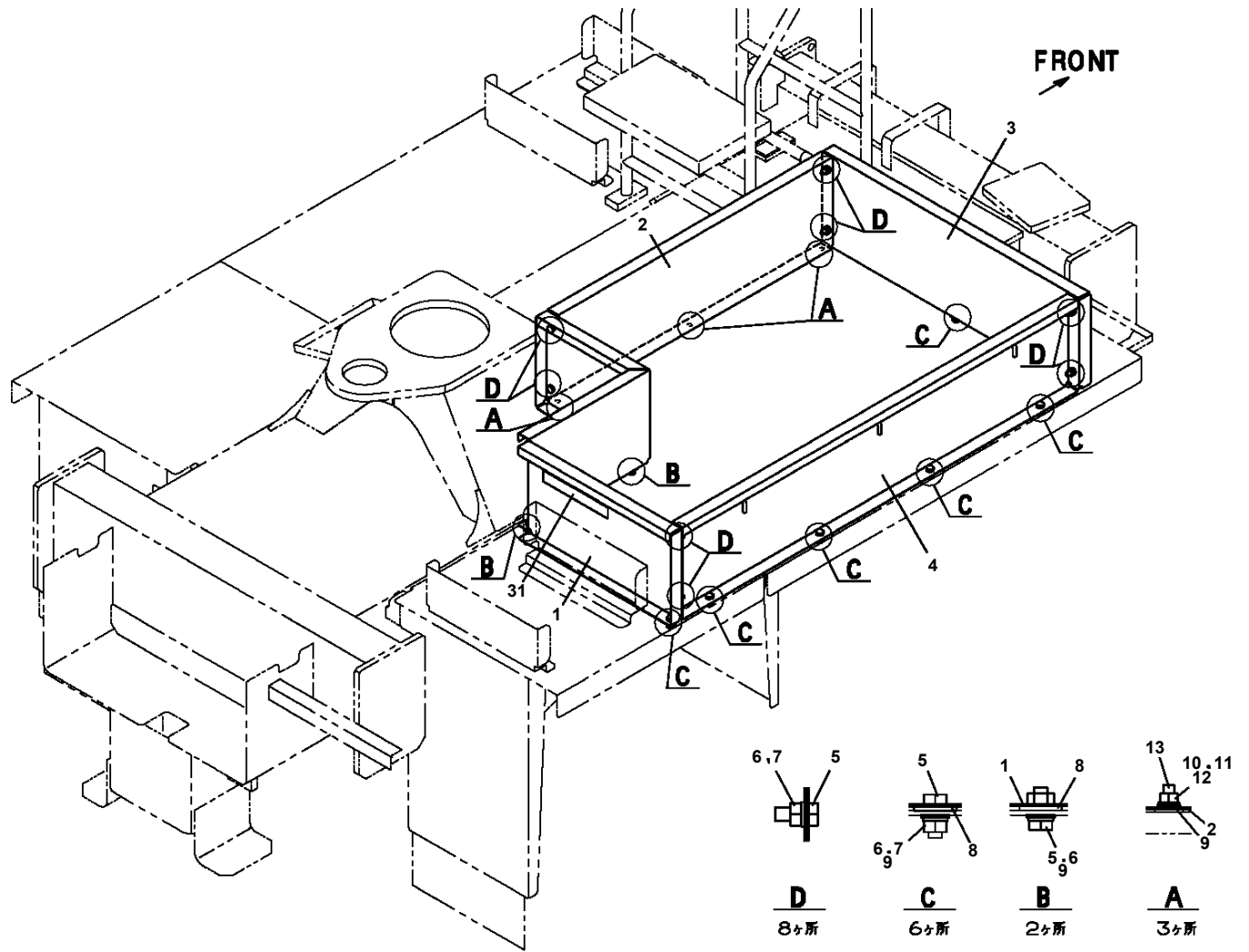
AT-121-4 43007440423 UPPER,LOWER,ISUZU 2RG-NKR88AN-EE5AHY-JD
PV5170018-00 VALVE ASSY,SELECTOR



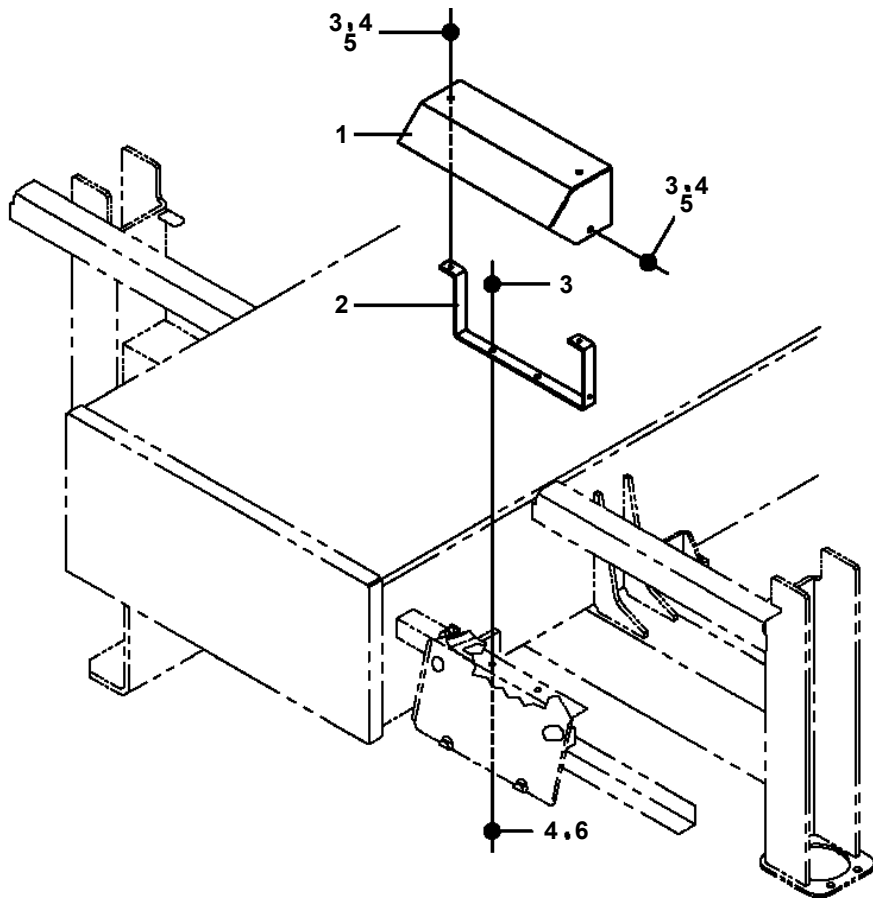
**AT-121-4 43007440423 UPPER,LOWER,ISUZU 2RG-NKR88AN-EE5AHY-JD
PW1050018-01 WEDGE (STOPPER FOR TIRE/JUSTIN)**



**AT-121-4 43007440423 UPPER,LOWER,ISUZU 2RG-NKR88AN-EE5AHY-JD
PX5010674-00 MOUNT ASSY**



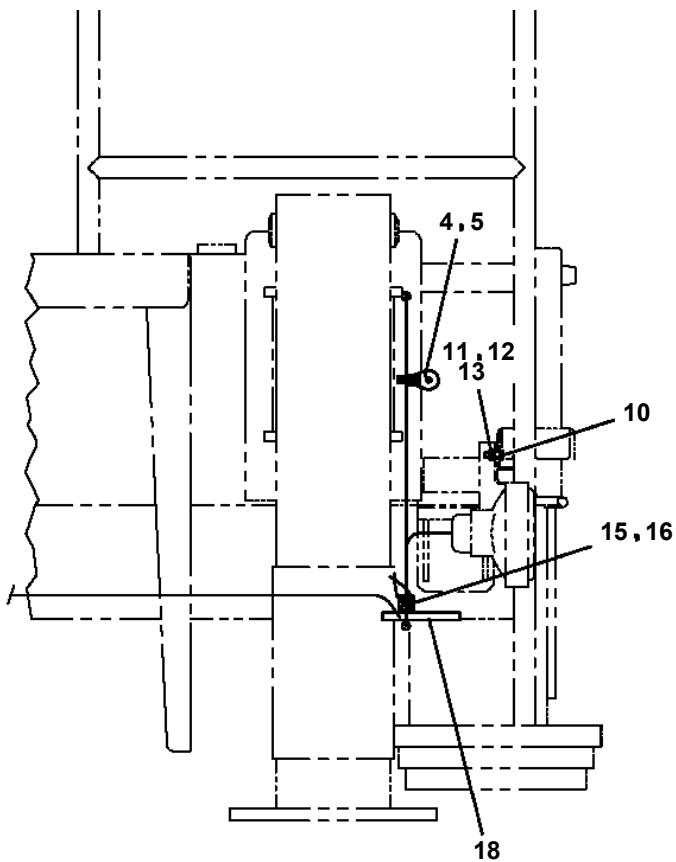
AT-121-4 43007440423 UPPER,LOWER,ISUZU 2RG-NKR88AN-EE5AHY-JD
PX5260046-00 MOUNT ASSY,COVER



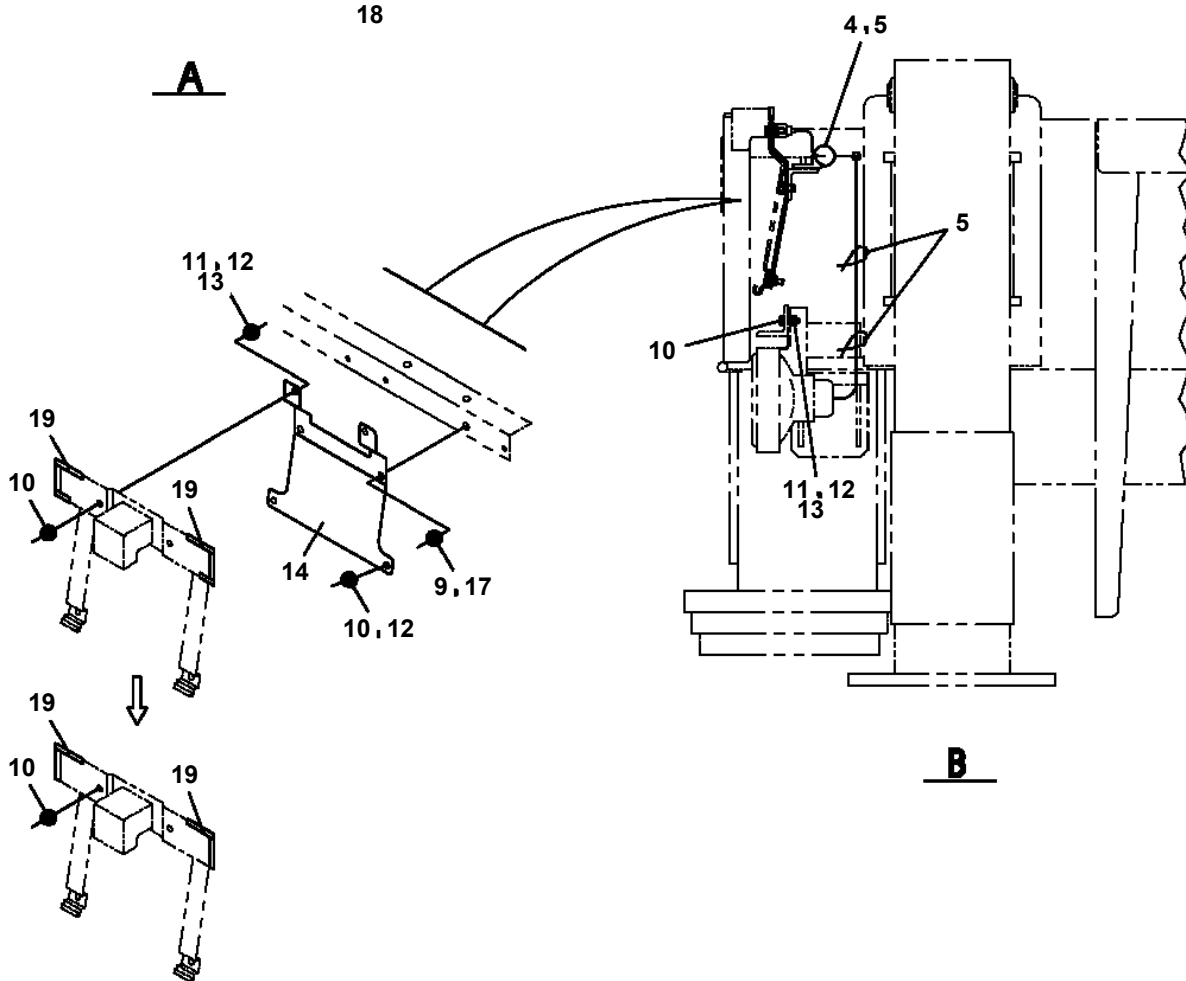
AT-121-4 43007440423 UPPER,LOWER,ISUZU 2RG-NKR88AN-EE5AHY-JD

Pos No.	Parts No	Parts Name	Qty	Unit	Technical Data	Serial No (Start)	Serial No (End)	R
1	36652620000	PUMP,HYDRAULIC (EMERGENCY)	1					
2	42823840100	COVER	1					

AT-121-4 43007440423 UPPER,LOWER,ISUZU 2RG-NKR88AN-EE5AHY-JD
PX5740097-02 MOUNT ASSY,TAIL LAMP



A



B

AT-121-4 43007440423 UPPER,LOWER,ISUZU 2RG-NKR88AN-EE5AHY-JD

Pos No.	Parts No	Parts Name	Qty	Unit	Technical Data	Serial No (Start)	S
1	42460021000	BELT,SAFETY	1				H
	42461162000	FALL ARREST SYSTEM (TB-LSA-550/FUJII-DENKO)	1			HJ5496	
2	(*****)	WOOD BLOCK (W=350,H=80)	4				
3	42460012550	WEDGE (STOPPER FOR TIRE/JUSTIN)	4				
4	(*****)	PUMP,GREASE (400CC)	1				
5	42473931000	TOOLS	1				
6	42503380000	CABLE (3 POLE)	1				
8	42515540000	COVER ASSY (FRP BUCKET)	1				

CLICK HERE TO **DOWNLOAD** THE COMPLETE MANUAL

- Thank you very much for reading the preview of the manual.
- You can download the complete manual from: www.heydownloads.com by clicking the link below



- Please note: If there is no response to CLICKING the link, please download this PDF first and then click on it.

CLICK HERE TO **DOWNLOAD** THE COMPLETE MANUAL