

AT-120S-2 42081200065 UPPER

PD2000252-00 SWING UNIT

PG2000084-00 BOOM UNIT

PH1000550-00 SAFETY DEVICES (MOTION CONTROLLER)

PJ3000266-00 PLATFORM SYSTEM

PK2001607-00 FRAME UNIT

PO1000149-00 INDICATION PLATES

PW1000118-00 ACCESSORIES & TOOLS

PY1000726-07 OPTIONS,1

PY2000225-04 OPTION UNIT,2 (UPPER)

ASSEMBLY

CLICK HERE TO **DOWNLOAD** THE COMPLETE MANUAL

- Thank you very much for reading the preview of the manual.
- You can download the complete manual from: www.heydownloads.com by clicking the link below



- Please note: If there is no response to CLICKING the link, please download this PDF first and then click on it.

CLICK HERE TO **DOWNLOAD** THE COMPLETE MANUAL

AT-120S-2 42081200065 UPPER

Pos No.	Parts No	Parts Name	Qty	Unit	Technical Data	Serial No (Start)	Serial No (End)	Re
1	(*****)	FRAME ASSY	1					
2	(*****)	PIPING ASSY,FRAME (OUTRIGGER)	1					
3	(*****)	ELEC.ASSY,FRAME	1					
4	(*****)	OPE.ASSY,OUTRIGGER	1					
5	(*****)	PIPING,LOWER (TANK)	1					

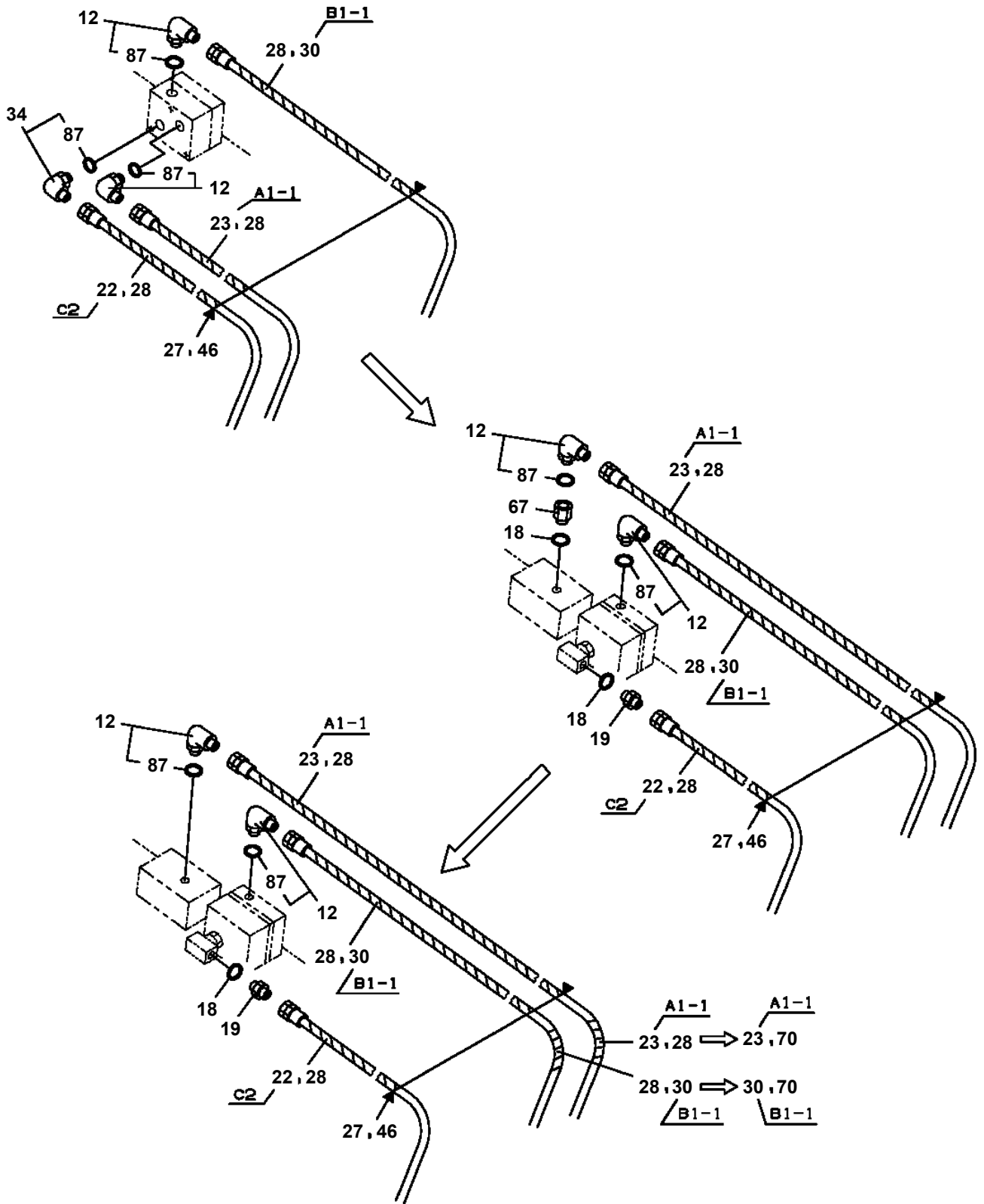
AT-120S-2 42081200065 UPPER

PB1130185-02 TANK,OIL
PB1300407-00 JOINT,ROTARY
PB1300408-02 JOINT,ROTARY
PB1300409-01 JOINT,ROTARY
PB1320537-01 VALVE,MANUAL CONTROL
PB1411534-02 PIPING,LOWER (TANK)
PB1910035-05 PIPING (SWING FRAME)
PB5270005-01 BOX ASSY,OPERATION
PC1100235-01 OPE.ASSY,OUTRIGGER
PC1190058-01 INDICATOR,OUTRIGGER
PC1380015-01 DETECTOR,OUTRIGGER LENGTH
PC5570166-00 COVER ASSY
PC6400014-01 CYLINDER ASSY,LEVELING
PD1010160-00 REDUCER,SWING SPEED
PD1020021-01 SWING UNIT
PE1010463-06 DERRICK ASSY
PE1050097-06 CYLINDER,LEVELING
PE5020460-01 ELEC.ASSY (GENERATOR INSTALLATION)
PE5110028-00 ELEC.ASSY,FRAME
PF5100159-00 FRAME ASSY
PF5190001-00 FALL ARREST SYSTEM (TB-LSA-550/FUJII-DENKO)
PG1010818-01 BOOM
PG1050535-01 CYLINDER,TELESCOPING
PG1120191-01 DETECTOR,BOOM LENGTH
PG1220114-01 PIPING,BOOM
PG5180006-00 GENERATOR ASSY
PH5030287-00 HARNESS
PH5030365-00 HARNESS
PH5030371-00 HARNESS
PH5030403-00 HARNESS
PH5030421-00 HARNESS
PH5030882-00 HARNESS
PH5031342-00 HARNESS
PH5031345-00 HARNESS
PH5031597-00 HARNESS
PH5031763-00 HARNESS
PH5031999-00 HARNESS
PH5032000-00 HARNESS
PH5032001-00 HARNESS
PH5032003-00 HARNESS
PH5032217-00 HARNESS
PH5032253-00 HARNESS
PH5032539-00 HARNESS
PH5032700-00 HARNESS
PH5033139-00 HARNESS (SIGNAL)
PH5033247-00 HARNESS
PH5034171-00 HARNESS
PH5034229-00 HARNESS
PH5034230-00 HARNESS
PH5034231-00 HARNESS
PH5034232-00 HARNESS
PH5034309-00 HARNESS (100V POWER SUPPLY)
PH5034310-00 HARNESS (LEVELING CYLINDER)
PH5034365-00 HARNESS
PH5034370-00 HARNESS
PI1100136-01 VALVE,RELIEF
PI1120265-01 VALVE,SOLENOID
PI1120303-00 VALVE,SOLENOID
PI1140158-00 VALVE,CHECK
PI1140171-00 VALVE,CHECK
PI1140212-00 VALVE,CHECK
PI1230018-00 VALVE,SHUTTLE
PI1250027-00 VALVE,COUNTERBALANCE
PI1250039-00 VALVE,COUNTERBALANCE

AT-120S-2 42081200065 UPPER

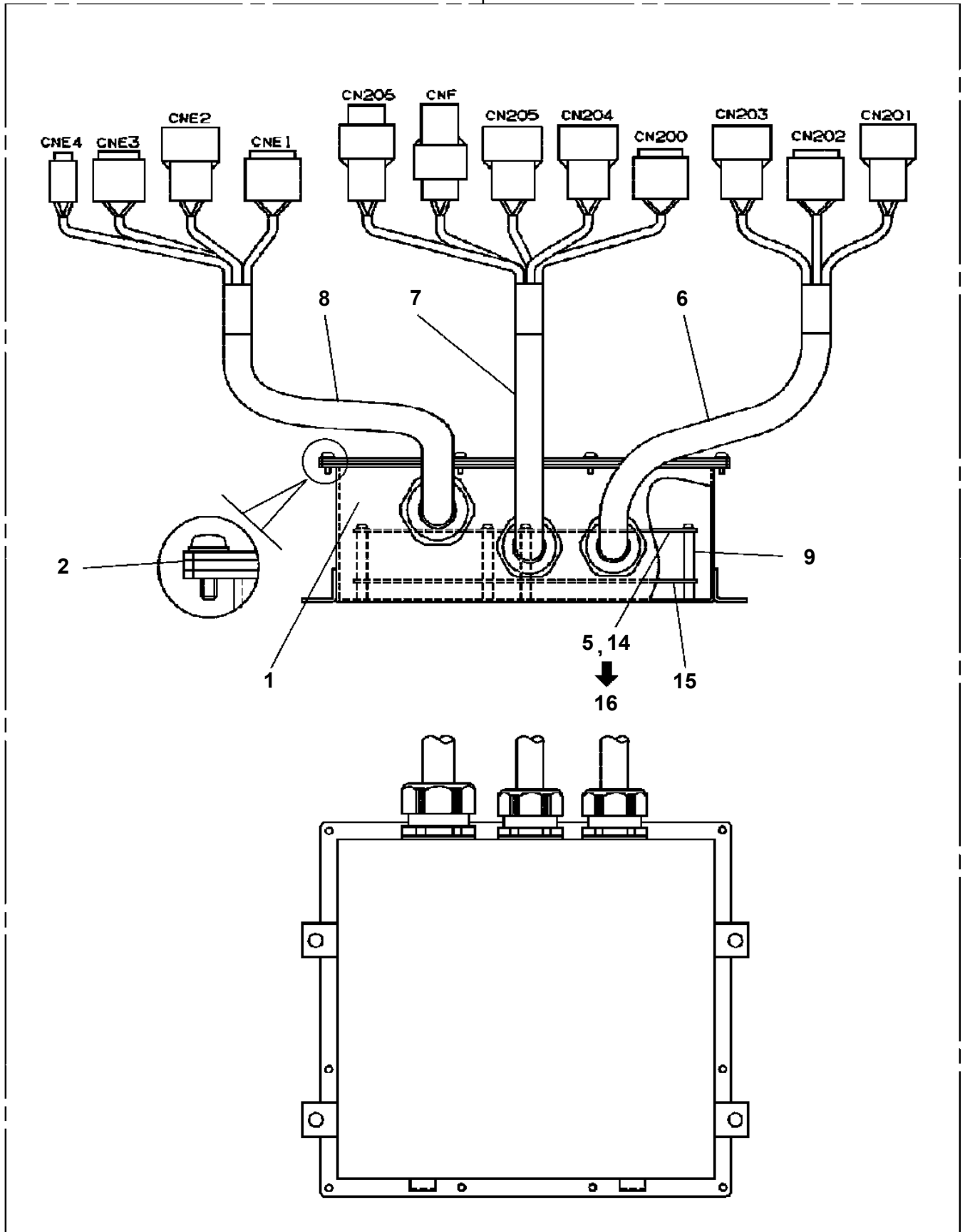
Pos No.	Parts No	Parts Name	Qty	Unit	Technical Data	Serial No (Start)	Serial No (End)	Remarks	Pages
1	42265551000	BRUSH ASSY	1						
2	90101208020	BOLT	3		M8X20				
3	90302040801	WASHER,SPRING	5		8				
4	82100002012	CLAMP	1		WR18				
5	90186206016	BOLT,FLANGE	1		M6X16				
6	90280200600	NUT,FLANGE	1		M6				
7	42265550100	SUPPORT	1						
10	90101208014	BOLT	2		M8X14				

**AT-120S-2 42081200065 UPPER
PB1910035-05 PIPING (SWING FRAME)**

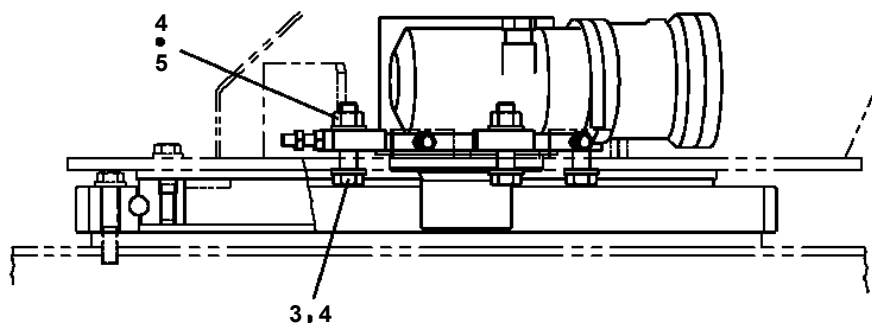
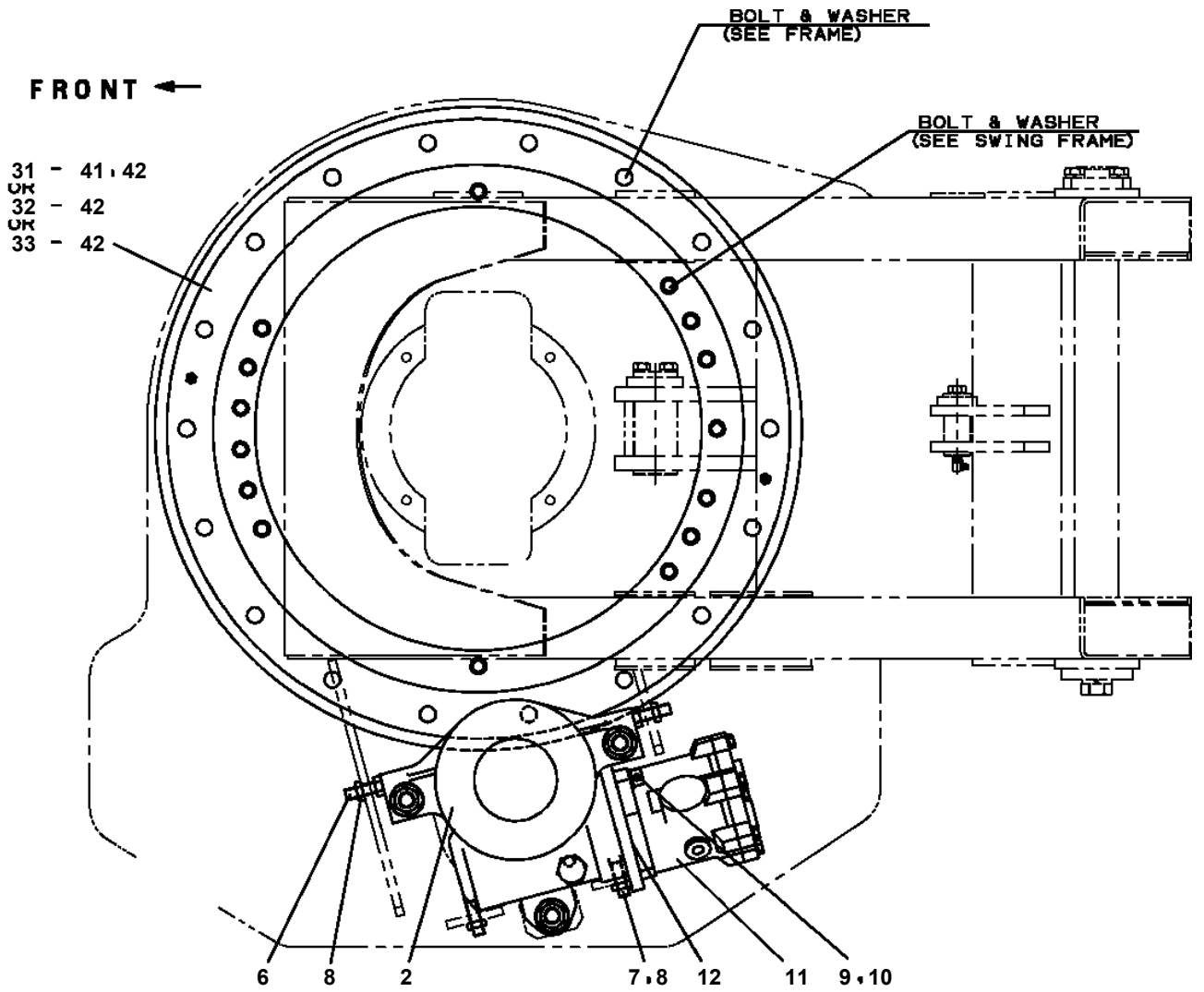


AT-120S-2 42081200065 UPPER
PC1190058-01 INDICATOR,OUTRIGGER

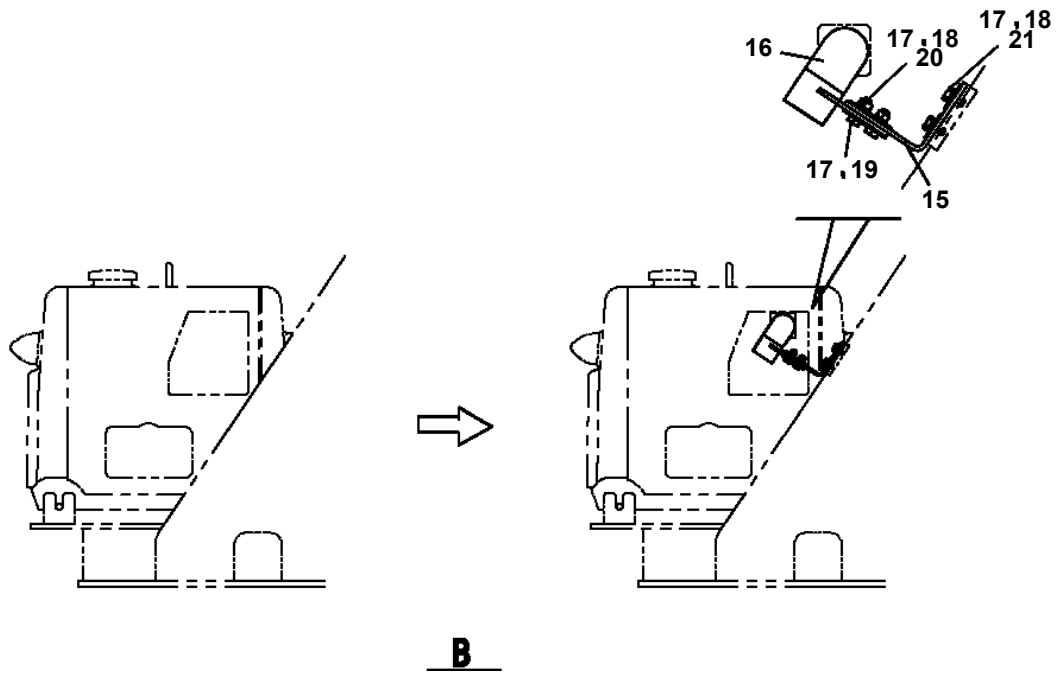
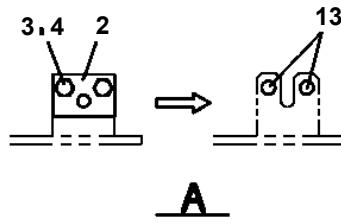
100



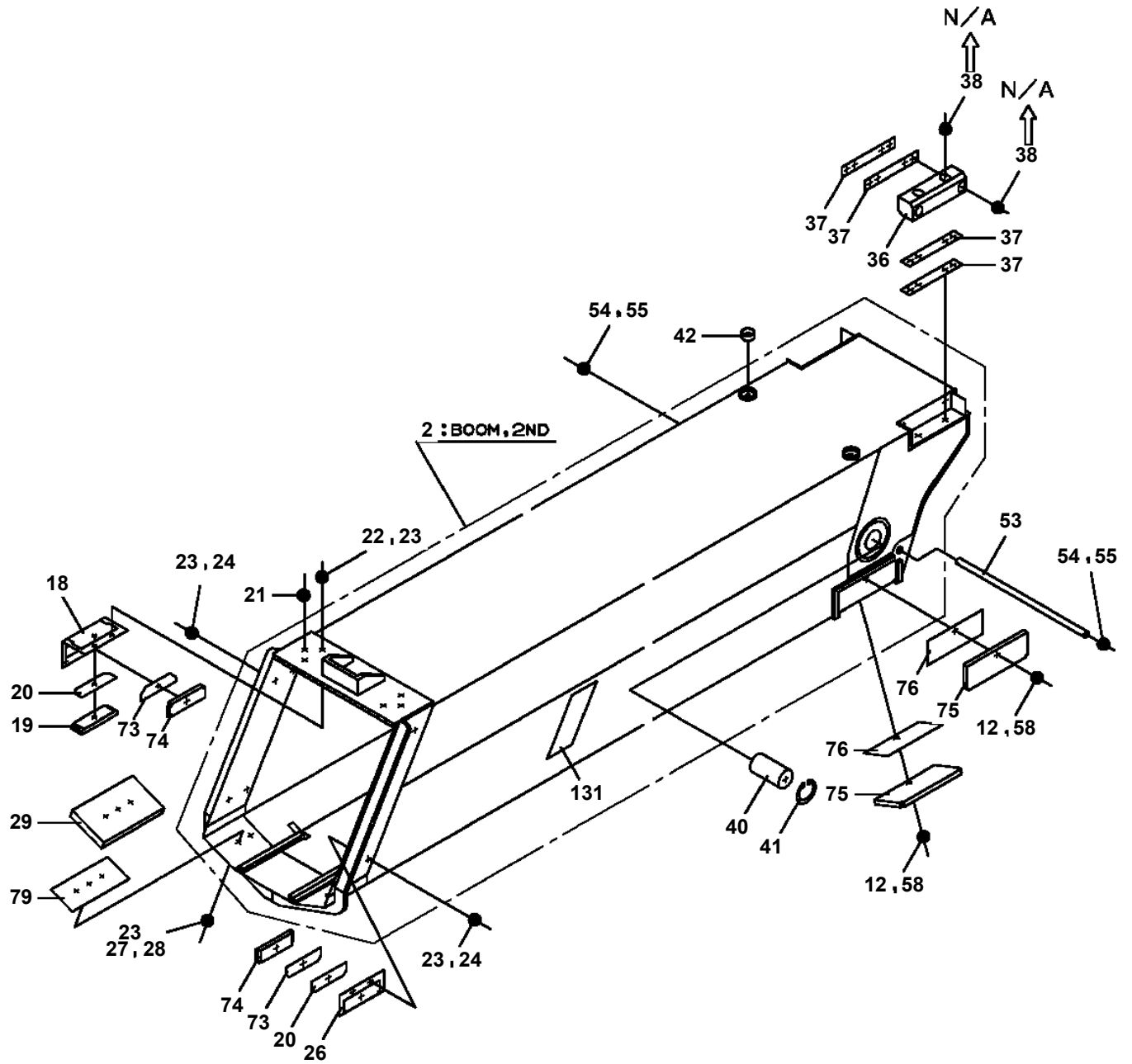
**AT-120S-2 42081200065 UPPER
PD1020021-01 SWING UNIT**



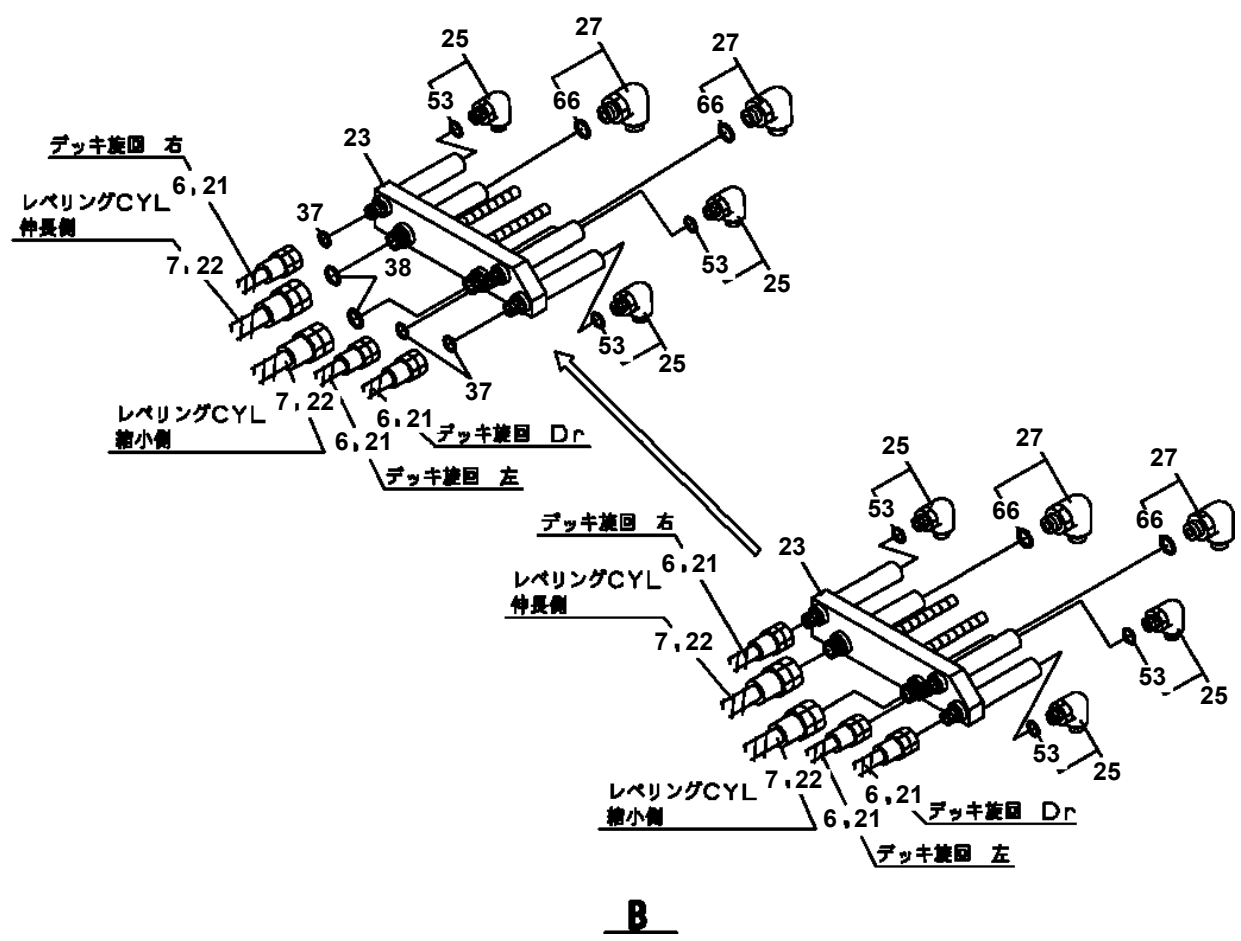
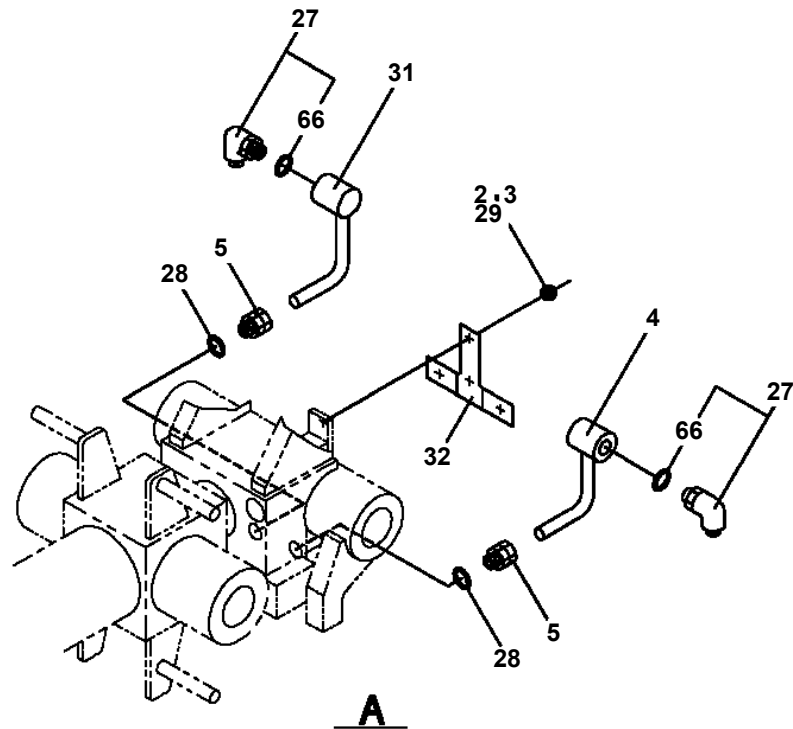
**AT-120S-2 42081200065 UPPER
PE5020460-01 ELEC.ASSY (GENERATOR INSTALLATION)**



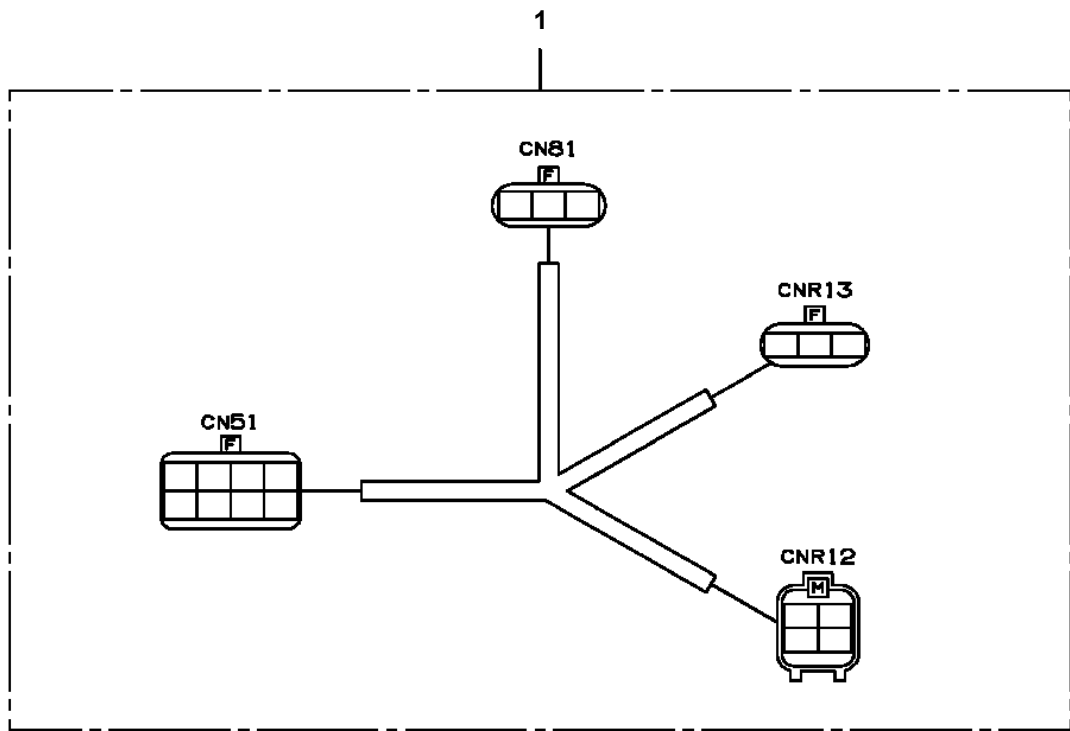
**AT-120S-2 42081200065 UPPER
PG1010818-01 BOOM**



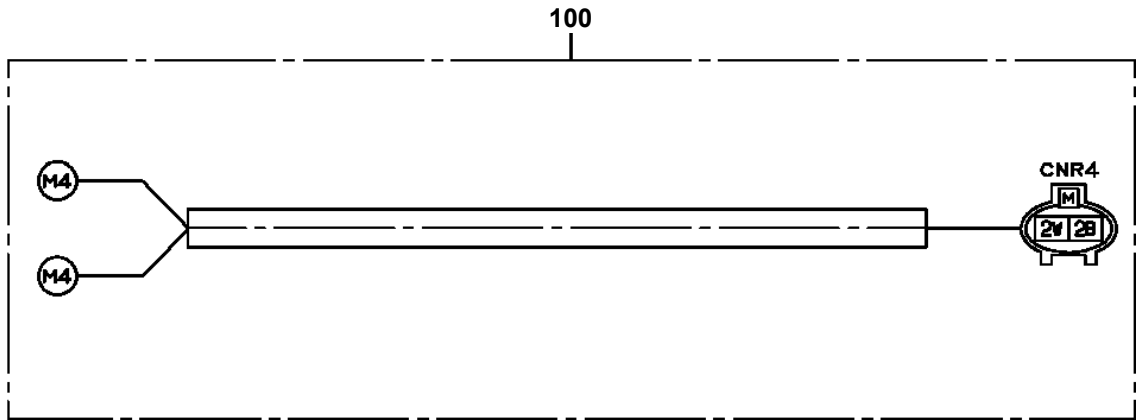
AT-120S-2 42081200065 UPPER
PG1220114-01 PIPING,BOOM



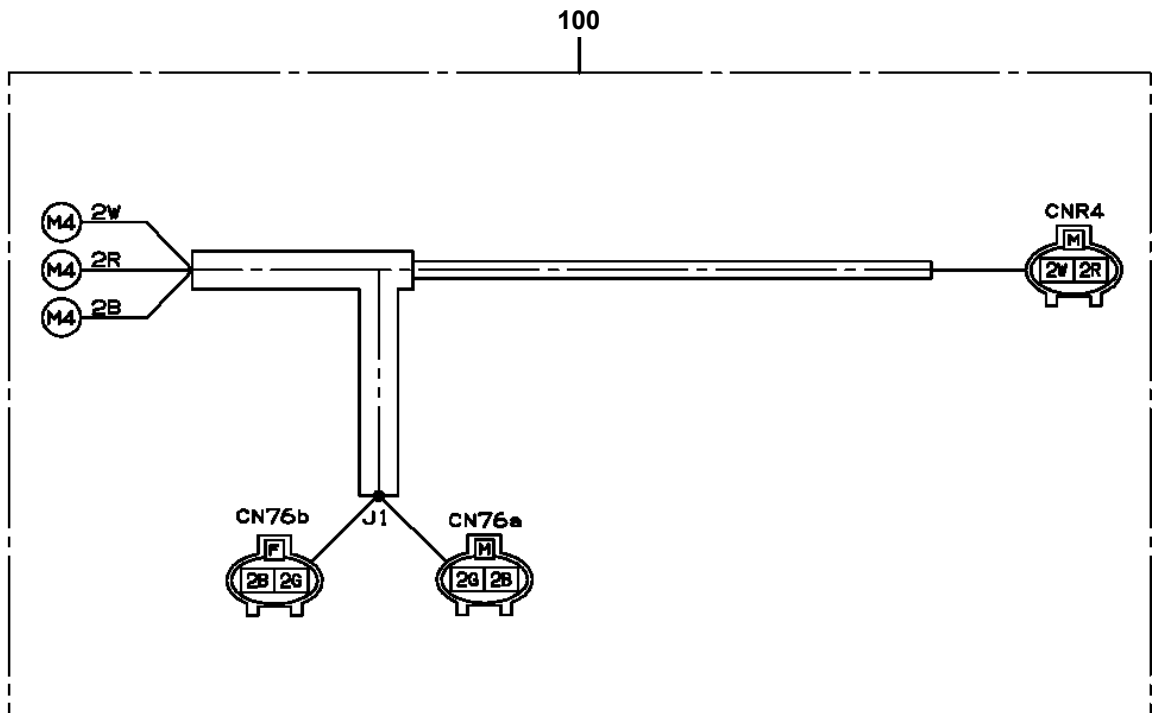
AT-120S-2 42081200065 UPPER
PH5030403-00 HARNESS



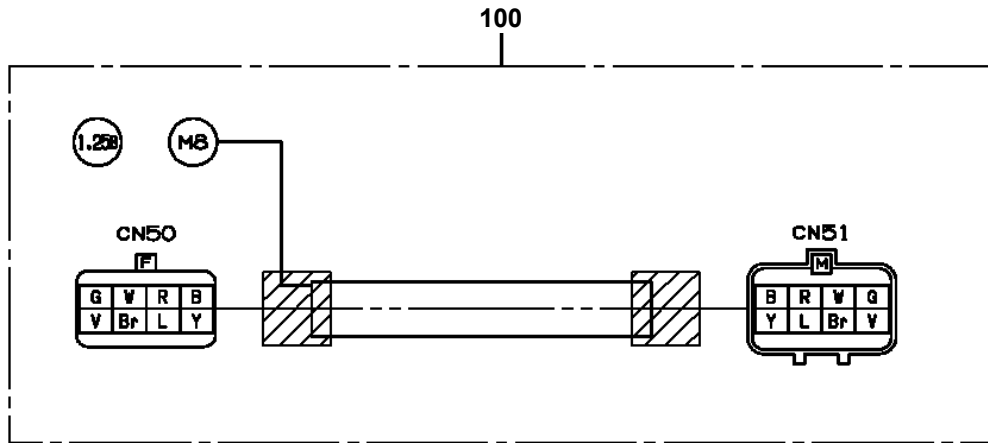
AT-120S-2 42081200065 UPPER
PH5031597-00 HARNESS



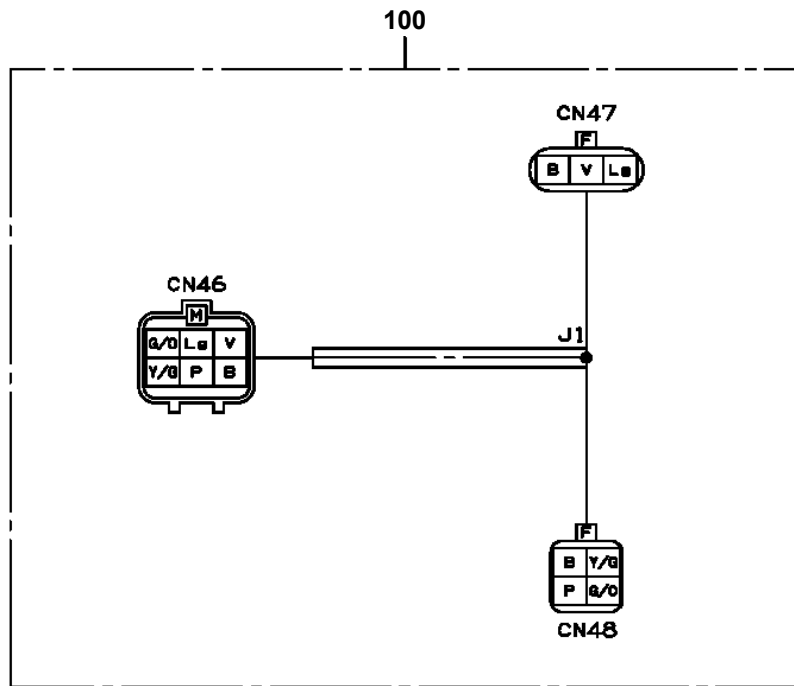
AT-120S-2 42081200065 UPPER
PH5032003-00 HARNESS



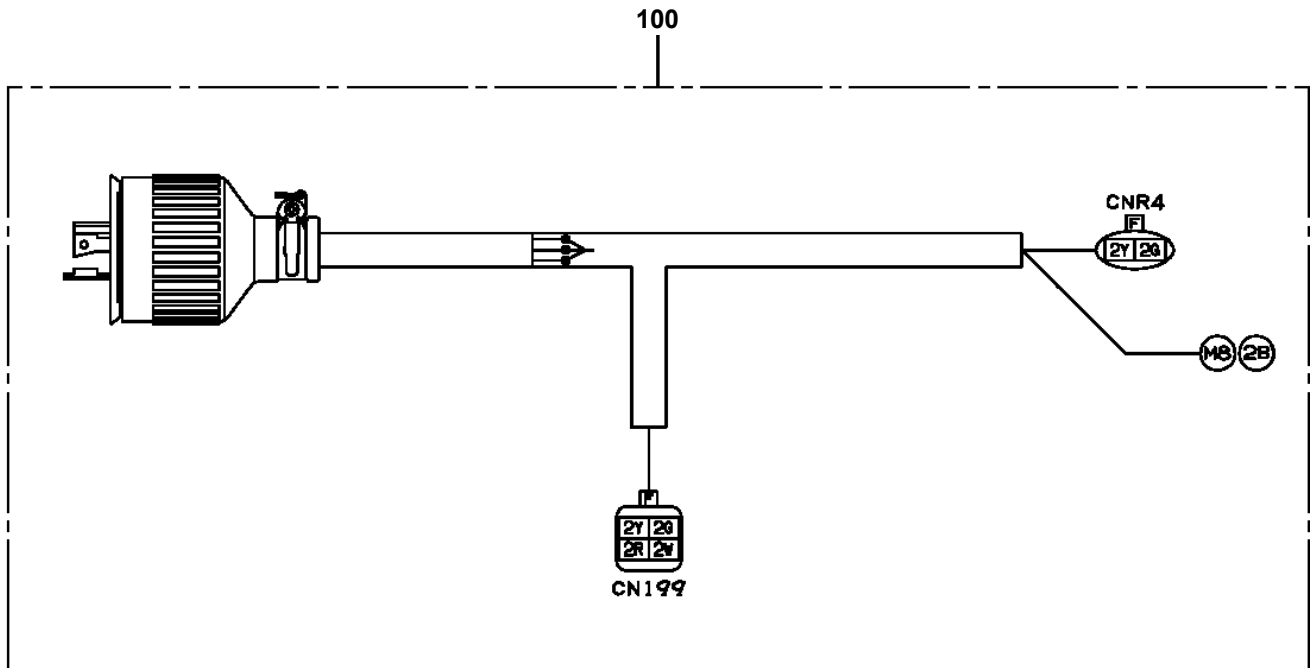
AT-120S-2 42081200065 UPPER
PH5033139-00 HARNESS (SIGNAL)



AT-120S-2 42081200065 UPPER
PH5034231-00 HARNESS



AT-120S-2 42081200065 UPPER
PH5034370-00 HARNESS



CLICK HERE TO **DOWNLOAD** THE COMPLETE MANUAL

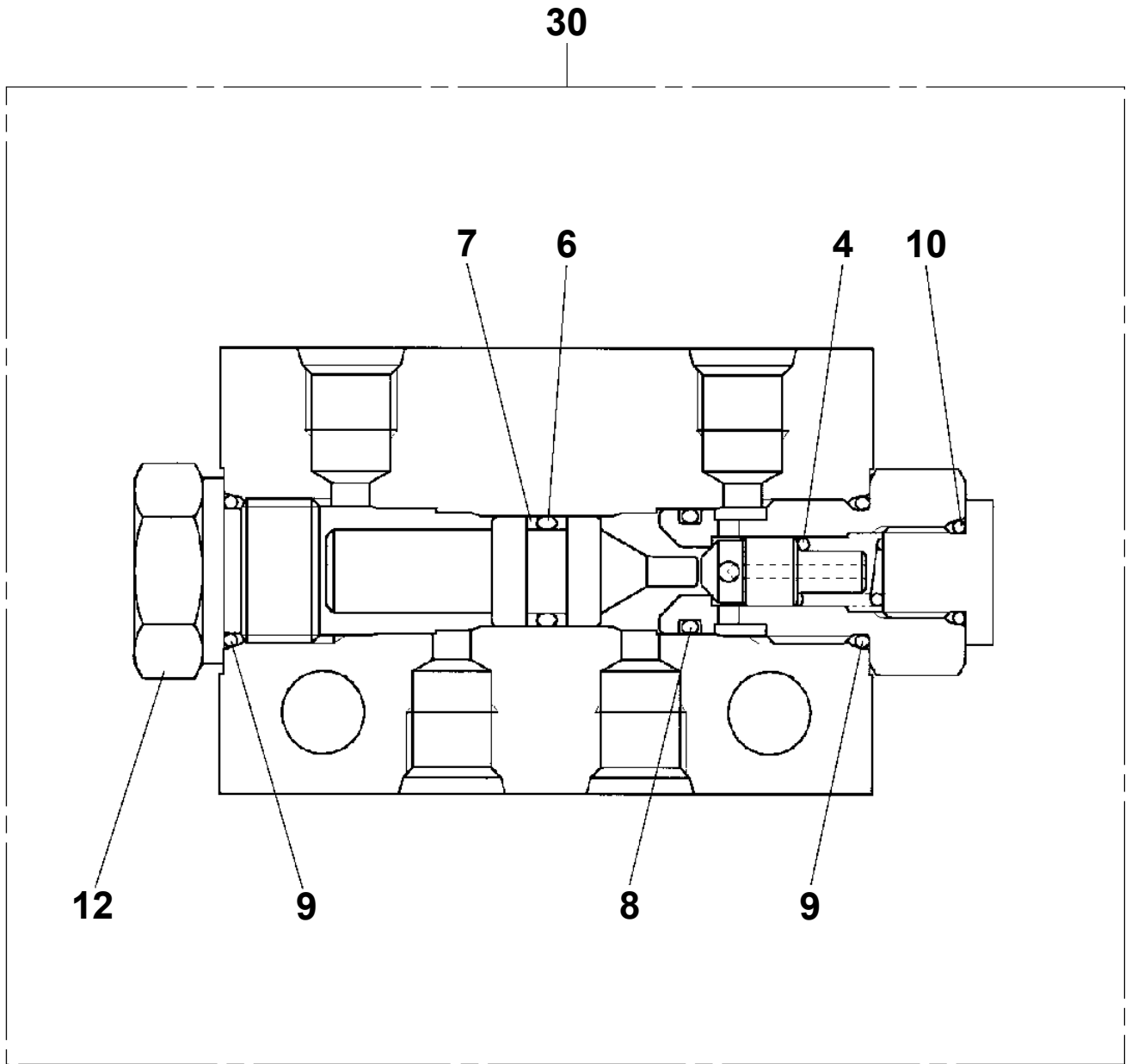
- Thank you very much for reading the preview of the manual.
- You can download the complete manual from: www.heydownloads.com by clicking the link below



- Please note: If there is no response to CLICKING the link, please download this PDF first and then click on it.

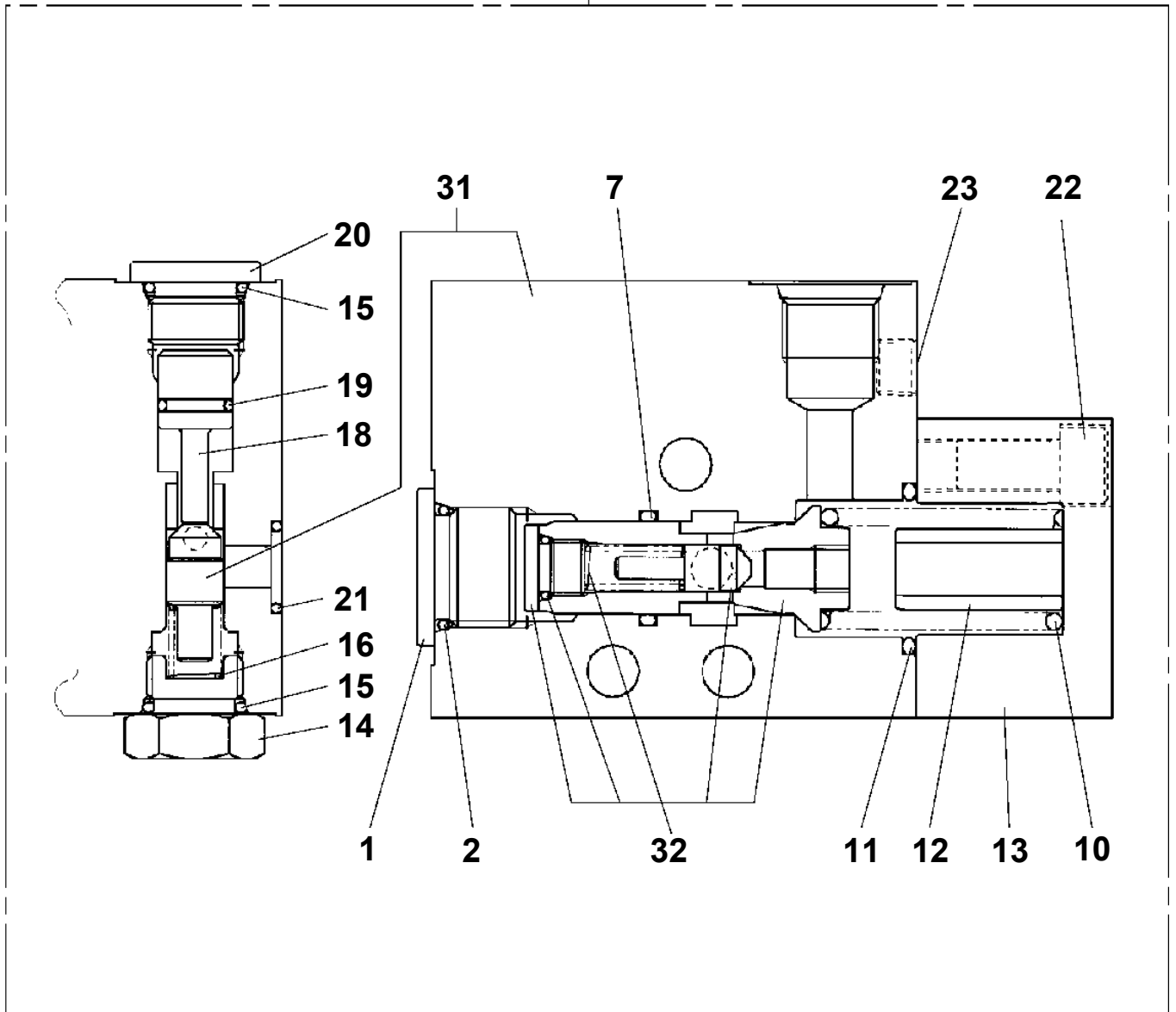
CLICK HERE TO **DOWNLOAD** THE COMPLETE MANUAL

**AT-120S-2 42081200065 UPPER
PI1140171-00 VALVE,CHECK**

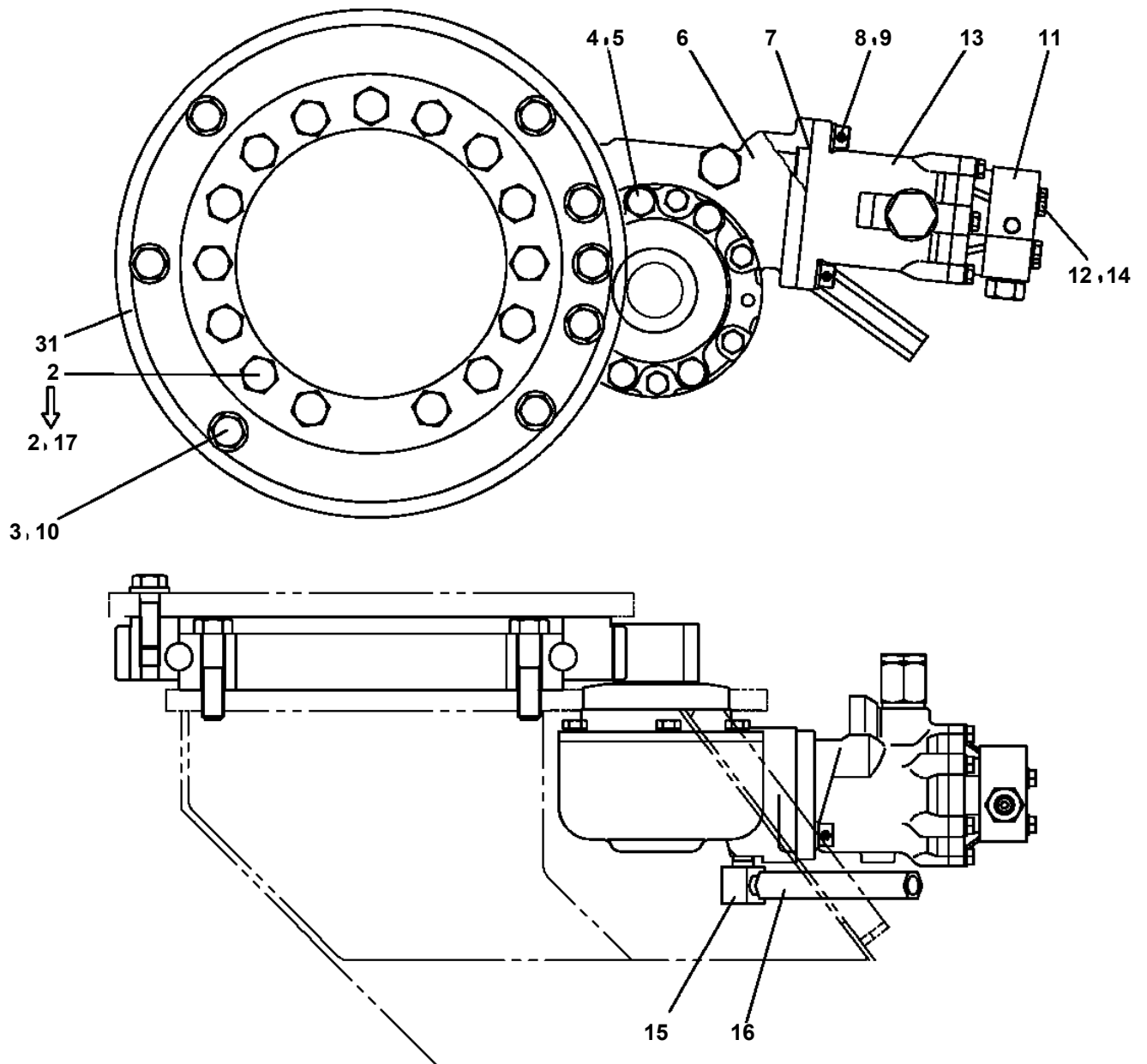


**AT-120S-2 42081200065 UPPER
PI1250137-00 VALVE,COUNTERBALANCE**

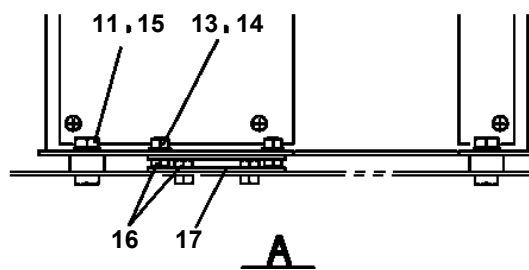
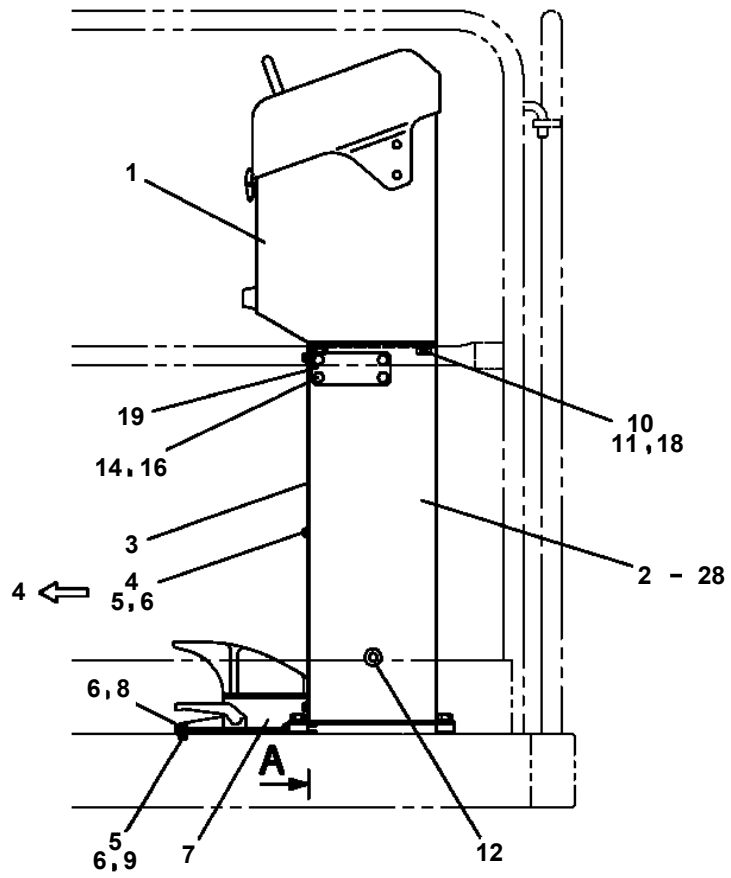
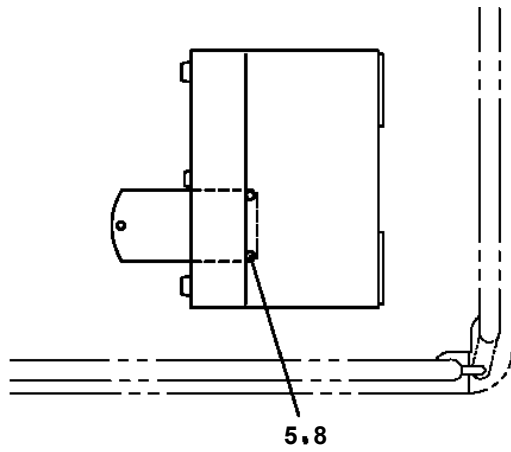
50



**AT-120S-2 42081200065 UPPER
PJ3170006-02 REDUCER, PLATFORM SWING SPEED (MOUNT)**



AT-120S-2 42081200065 UPPER
PL1920023-04 OPE.ASSY (PLATFORM)



AT-120S-2 42081200065 UPPER

Pos No.	Parts No	Parts Name	Qty	Unit	Technical Data	Serial No (Start)	Serial No (End)	Remarks
1	82199105017	LAMP (ASSY ONLY)	1					
2	90101212020	BOLT	1		M12X20			
3	90302041201	WASHER,SPRING	1		12			
4	37000179070	PIN	1					
5	80620210160	PIN,SNAP	1					
100	42510232000	LAMP ASSY (SQUARE TYPE)	1					

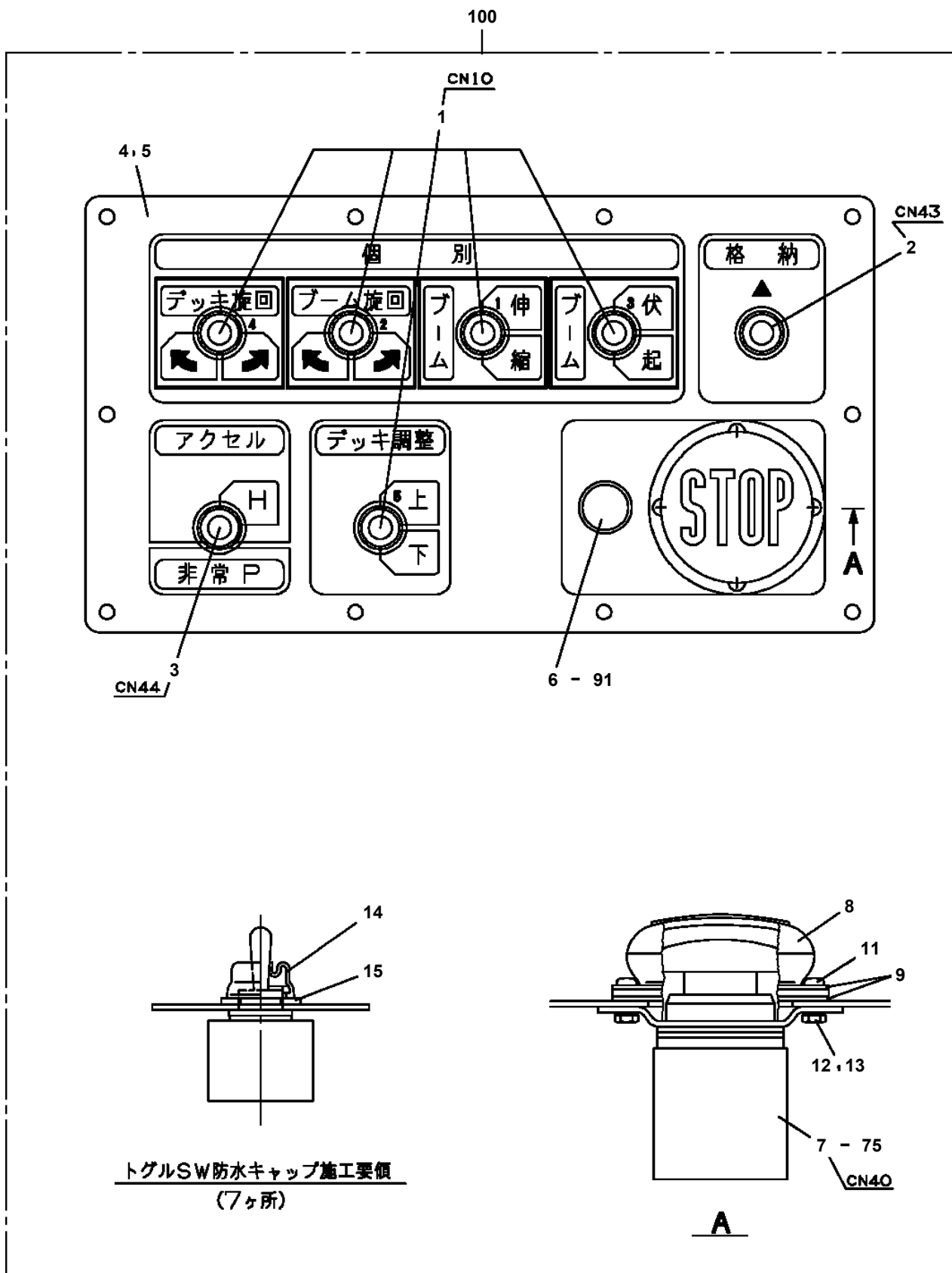
AT-120S-2 4208120065 UPPER

Pos No.	Parts No	Parts Name	Qty	Unit	Technical Data	Serial No (Start)	Serial No (End)	Remarks	P
1	36662355010	SHAFT	1						
2	80500006205	BEARING,BALL	1						
4	91001004800	O-RING	1		S48				
5	36661915020	HOLDER (OIL SEAL)	1						
6	91252102500	SEAL,OIL	1						
7	36661915030	PLATE (HOLDER)	1						
8	36662255070	RING,RETAINING	1		R52				
9	36662355030	RETAINER	1						
10	36662355040	PLATE (CAM)	1						
11	36660275010	BEARING,THRUST	1						
12	36663985010	PLATE,THRUST	1						
13	36663985020	SPRING	1						
14	36662355071	BARREL,CYLINDER	1						
17	36662355110	PIN	2						
18	91001008500	O-RING	1		S-85				
19	36662355120	PLATE	1						
20	36663985050	BOLT (M8X30)	6						
21	36644115130	PLUG	1						
22	91001101100	O-RING	1		1A P11				
25	12413305020	KEY	1						
26	91001102201	O-RING	1		1A P22A				
28	36663955070	PISTON (LOCK)	1						
29	91001101800	O-RING	1		1A P18				
30	91410001800	RING,BACKUP	1		P18				
31	36663955080	SPRING (LOCK)	1						
32	36663955090	CAP (LOCK)	1						
33	36081315130	PROTECTOR (THREAD)	1						
34	36663195010	SEAL,DUST	1						
53	36662355080	SPRING (PLUNGER)	7						
54	36663985080	BALL,STEEL (15/32)	7						
55	36662355090	SPRING (CENTER)	1						
56	12413305490	RING,RETAINING	1						
100	36663190000	MOTOR,OIL	1						

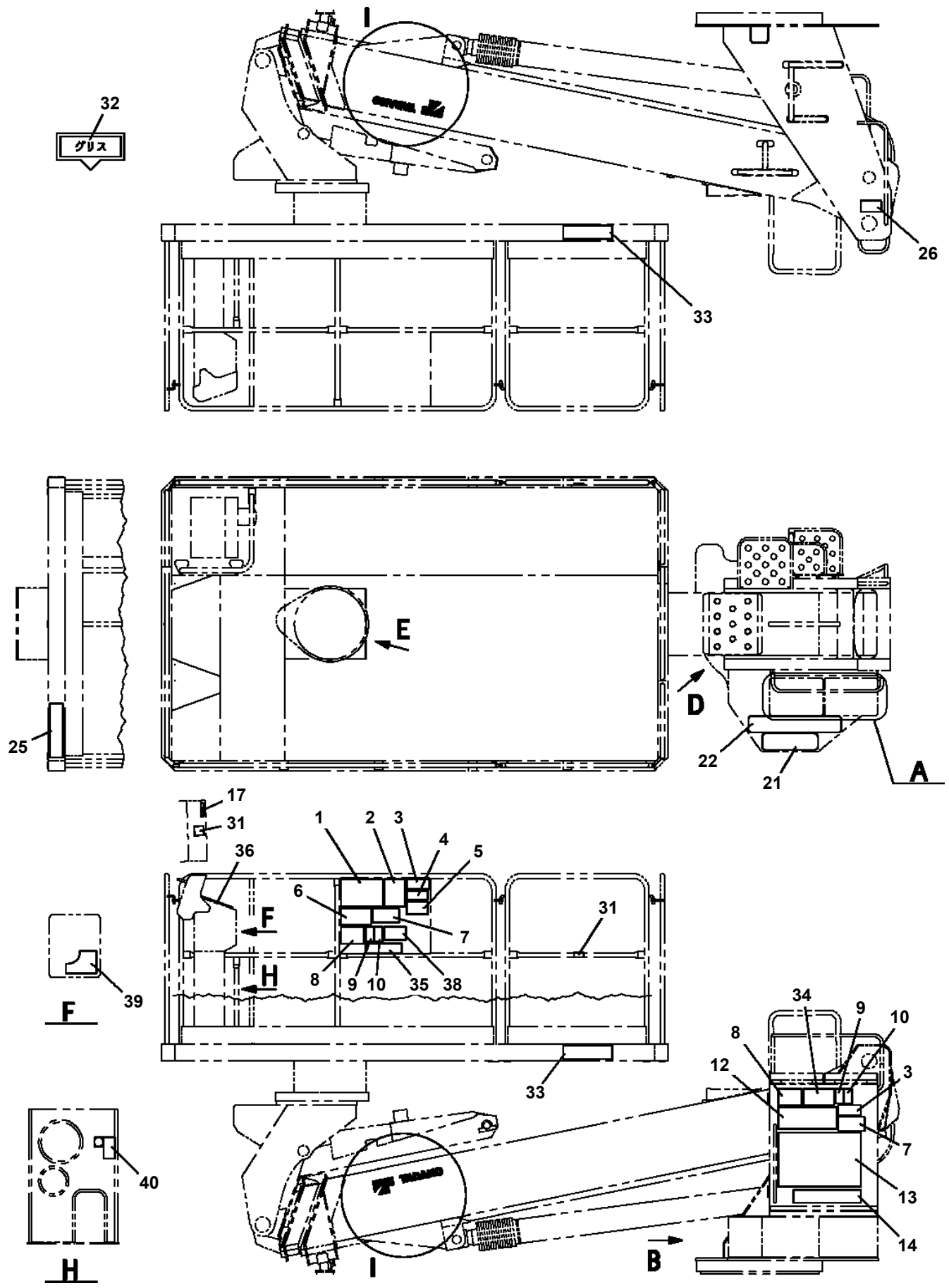
AT-120S-2 42081200065 UPPER

Pos No.	Parts No	Parts Name	Qty	Unit	Technical Data	Serial No (Start)	Serial No (End)	Remarks	Pages
1	42500101000	BOX	1						
2	42500071600	COVER	1						
3	80182306014	SCREW,MACHINE	4		M6X14				
4	90302040601	WASHER,SPRING	4		6				
5	91810132530	FASTENER	1						
6	91850400601	CLAMP	1						
7	82400000201	GROMMET	1		KG-016				

AT-120S-2 42081200065 UPPER
 PN1060171-04 SWITCH PANEL



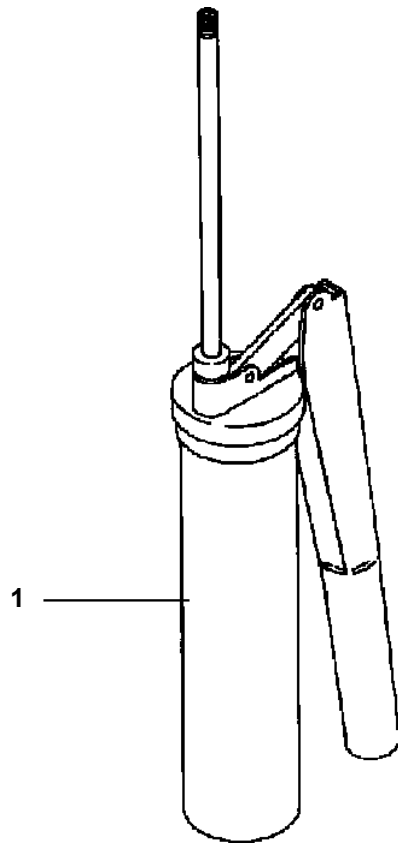
AT-120S-2 42081200065 UPPER
 PN5011158-00 NAME PLATE ASSY (UPPER)



AT-120S-2 42081200065 UPPER

Pos No.	Parts No	Parts Name	Qty	Unit	Technical Data	Serial No (Start)	Serial No (End)
1	42736070100	SWITCH ASSY (WITH HARNESS)	1				
2	42433932100	SWITCH ASSY (WITH HARNESS,1 SW)	1				
3	42653743000	INDICATOR,OUTRIGGER	1				
4	80192486014	SCREW,MACHINE (WITH WASHER)	4		M6X14		
5	90302040601	WASHER,SPRING	4		6		
6	90201200600	NUT	4		M6		
7	42654582101	PANEL	1				
8	82199514013	CAP	2				
9	42420623600	LAMP ASSY (RED)	1				
10	42352270200	LAMP ASSY (YELLOW)	1				
11	42651302200	LAMP ASSY (GREEN)	1				
12	82199504017	NUT	2		AT-401N		
13	82154201010	METER,HOUR	1				
14	80172303012	SCREW,MACHINE	2		M3X12		
15	90303070301	WASHER,PLAIN	2		3		
16	90201200300	NUT	2		M3		
17	90302040301	WASHER,SPRING	2		3		
41	82100005004	LENS (RED)	1				
51	82198300505	LENS (YELLOW)	1				
61	82100005005	LENS (GREEN)	1				
100	42654582001	PANEL ASSY,CONTROL	1				

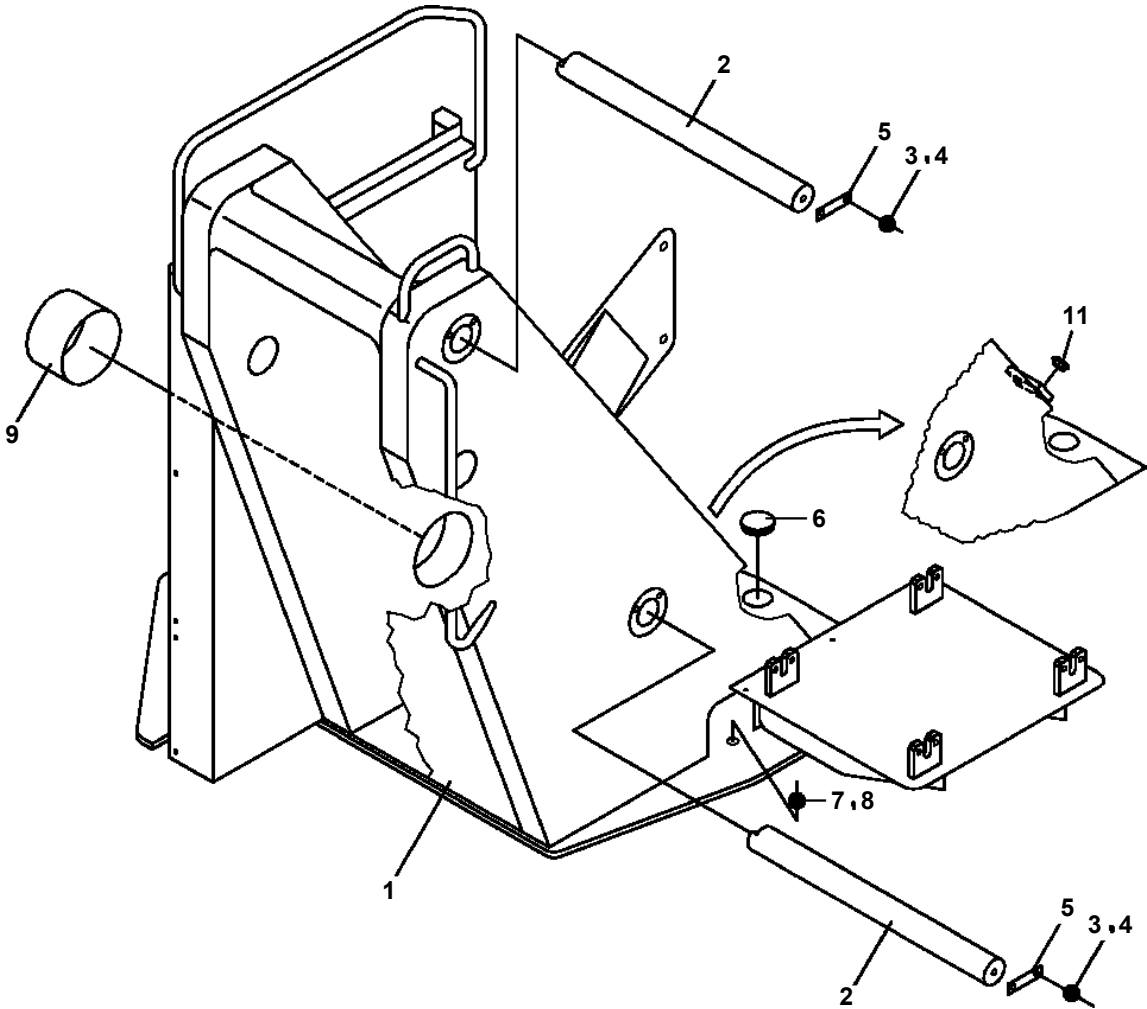
**AT-120S-2 42081200065 UPPER
PP5450004-00 PUMP, GREASE (400CC)**



AT-120S-2 4208120065 UPPER

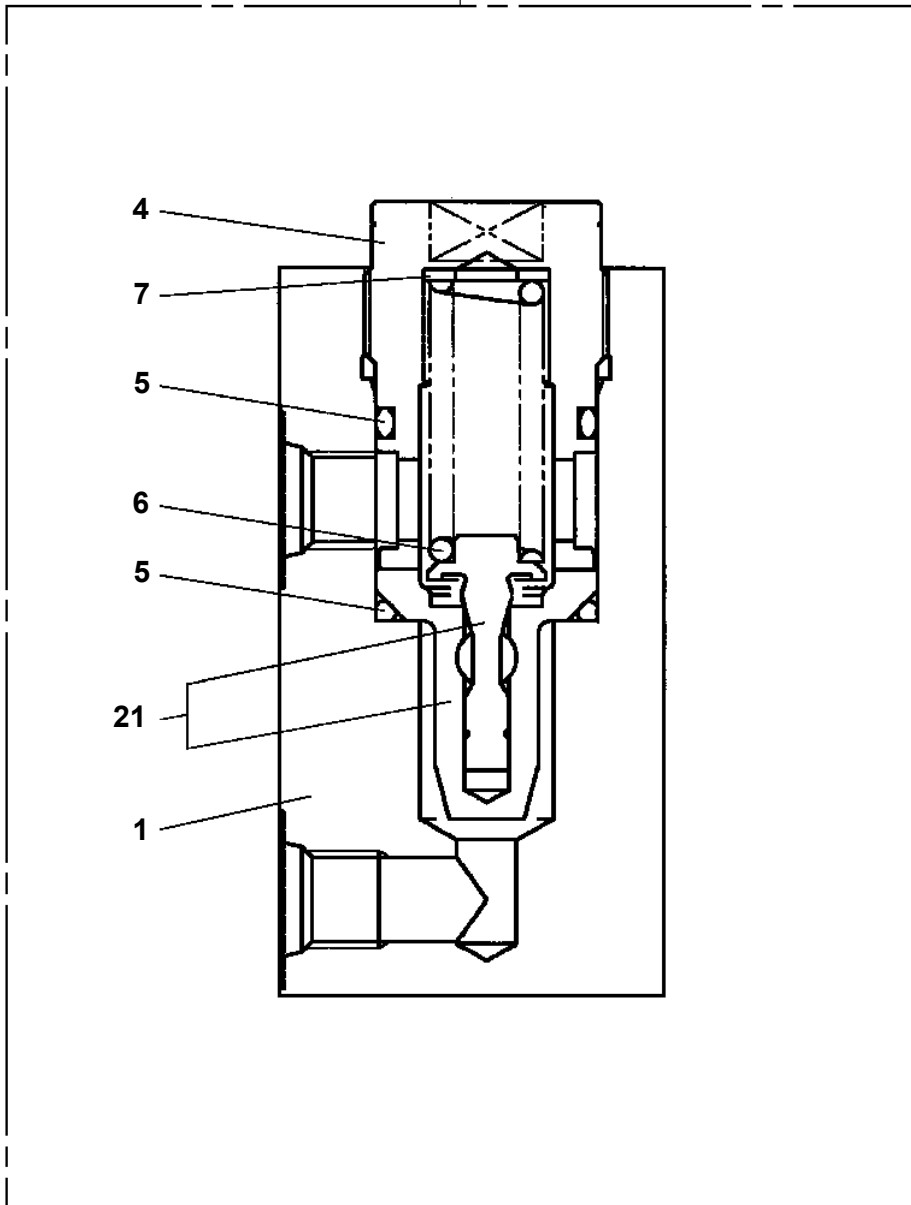
Pos No.	Parts No	Parts Name	Qty	Unit	Technical Data	Serial No (Start)	Serial No (End)	Remarks
2	90101210035	BOLT	4		M10X35			
3	90302041001	WASHER,SPRING	4		10			
5	90101208060	BOLT	3		M8X60			
6	90302040801	WASHER,SPRING	7		8			
8	90101208055	BOLT	2		M8X55			
10	90101208065	BOLT	2		M8X65			
12	80430620600	JOINT (WITH O-RING)	2		L,G3/8-G3/8			
13	37002436640	HOSE	1		L=570			
14	37002481550	HOSE	1		L=2250			
15	81408000160	PIPE,STEEL	1	M	12X1.4T			
17	80302090161	FITTING	2		KCO12-030N			
18	91002801400	O-RING	7		1B P14			
19	80400160128	JOINT	1		S,G3/8-G1/4			
22	37002478350	HOSE	1		L=1750			
23	37002472220	HOSE	1		L=1830			
24	37002413200	HOSE	1		L=680			
26	37000714560	CLAMP ASSY	1		14X2,18X2,10X1			
27	37000714140	CLAMP ASSY	1		18X3			
28	82100001413	TUBE,SPIRAL	6	M	SE-15BK			
30	37002479070	HOSE	1		L=1680			
31	37002479080	HOSE	1		L=2250			
32	80305131202	FITTING,TEE	1		T G1/4-12-12			
34	37000908730	JOINT (WITH O-RING)	1		L,G3/8-G1/4			
35	37002479090	HOSE	1		L=1550			
36	37002473090	HOSE	1		L=2200			
37	37002478360	HOSE	1		L=2400			
38	37002479100	HOSE	1		L=800			
39	91810130240	FASTENER	25					
40	37000713790	CLAMP ASSY	1		10X2,18X2,14X1			
41	37002417610	HOSE	1		L=530			
42	37002479110	HOSE	1		L=900			
43	91002801800	O-RING	4		1B P18			
44	80316070080	PLUG	2		PF1/2			
45	42343190700	JOINT	2					
46	37000300740	SLEEVE	1		18-12			
47	80400160131	JOINT	2					
49	80400160127	JOINT	1					
50	91002801100	O-RING	2		1B P11			
51	37002457820	HOSE	1		L=1250			
52	42344410400	JOINT	1					
53	80321112000	VALVE,CHECK	2					
54	37002475070	HOSE	1		L=1400 TO 1350			
56	80303130141	FITTING,ELBOW	1		KLO12-020E			
57	81408000160	PIPE,STEEL	1	M	12X1.4T			
58	81408000160	PIPE,STEEL	1	M	12X1.4T			
59	81408000160	PIPE,STEEL	1	M	12X1.4T			
60	80400160129	JOINT	2					
61	37002471690	HOSE	1		L=2120			
62	90303071001	WASHER,PLAIN	4		10			
63	37000568300	PLATE	1					
64	91810130270	FASTENER	3					
65	37002478340	HOSE	1		L=2220			
68	81408000160	PIPE,STEEL	1	M	12X1.4T			
69	82100001803	TUBE,CORRUGATE	1	M	13			
70	82100001805	TUBE,CORRUGATE	2	M	19			
91	36641740000	VALVE,CONTROL	1					
92	80400160130	JOINT	3		S,G1/2-G3/8			
93	37000912910	JOINT	3		G1/2,G3/8			
94	91002801800	O-RING	9		1B P18			
95	37000925660	JOINT	1		S,G3/4-G1/2			
96	80430620800	JOINT	1					
98	80400160132	JOINT	1					
99	91002802400	O-RING	2		1B P24			

**AT-120S-2 42081200065 UPPER
PS5510024-01 SWING FRAME ASSY**

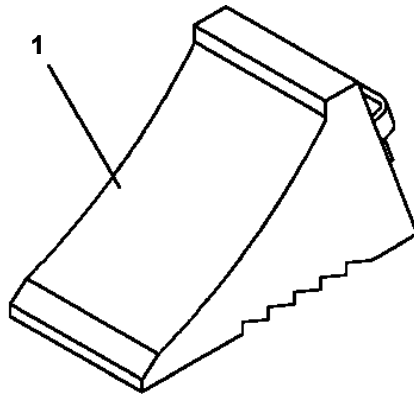


**AT-120S-2 42081200065 UPPER
PV5140025-00 VALVE ASSY,RELIEF**

100



**AT-120S-2 42081200065 UPPER
PW5110003-00 WEDGE (STOPPER FOR TIRE/NAKAMURA KIKI)**



AT-120S-2 42081200065 UPPER

Pos No.	Parts No	Parts Name	Qty	Unit	Technical Data	Serial No (Start)	Serial No (End)	Remarks	Pages
1	42812081000	STEP	1						
2	90101210016	BOLT	4		M10X16				
3	90302041001	WASHER,SPRING	4		10				
4	90303071001	WASHER,PLAIN	4		10				

CLICK HERE TO **DOWNLOAD** THE COMPLETE MANUAL

- Thank you very much for reading the preview of the manual.
- You can download the complete manual from: www.heydownloads.com by clicking the link below



- Please note: If there is no response to CLICKING the link, please download this PDF first and then click on it.

CLICK HERE TO **DOWNLOAD** THE COMPLETE MANUAL