

AT-110-4 42084434400 LOWER,HINO TKG-XZU600X-TYMMC6

PB3000221-00 POWER UNIT
PO1000149-00 INDICATION PLATES
PX2001469-00 CARRIER UNIT
PX3000793-00 MOUNTING UNIT
PY1001365-01 OPTIONS
ASSEMBLY

CLICK HERE TO **DOWNLOAD** THE COMPLETE MANUAL

- Thank you very much for reading the preview of the manual.
- You can download the complete manual from: www.heydownloads.com by clicking the link below



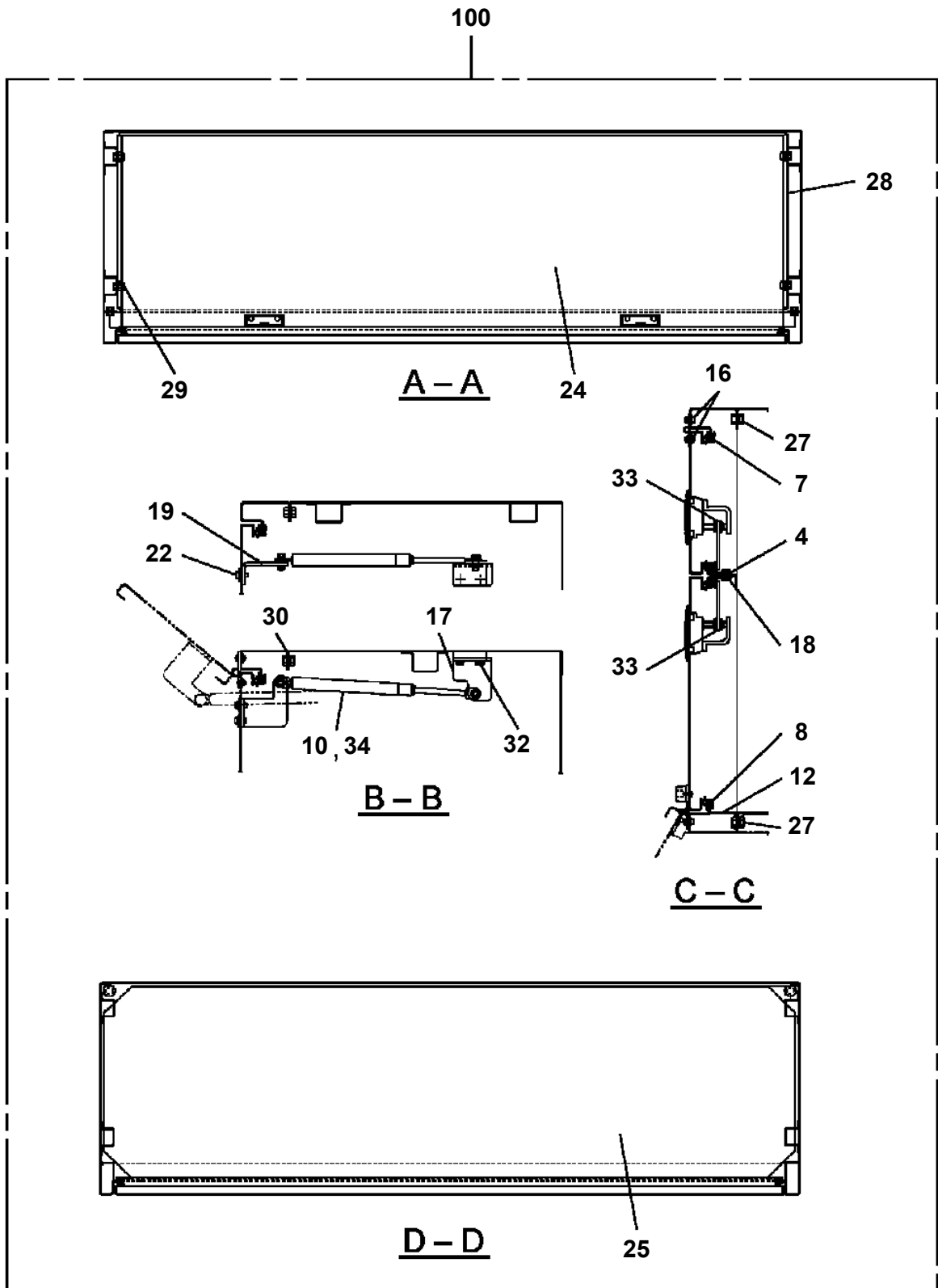
- Please note: If there is no response to CLICKING the link, please download this PDF first and then click on it.

CLICK HERE TO **DOWNLOAD** THE COMPLETE MANUAL

AT-110-4 42084434400 LOWER,HINO TKG-XZU600X-TYMMC6

Pos No.	Parts No	Parts Name	Qty	Unit	Technical Data	Serial No
1	(*****)	SUPPORT (FIXED LADDER REST,2-DECKER/2007)	1			
2	(*****)	SUPPORT (SWIVEL LADDER REST,2-DECKER/2007)	1			
3	(*****)	MOUNT ASSY,TOOL BOX (LEFT:2-DECKER,DRAWER/2LINEX2)	1			
	(*****)	BOX,TOOL (DRAWER FOR LEFT TOOL BOX:2007,2010)	1			
4	(*****)	BUZZER (JACK)	1			
5	(*****)	EARTHING DEVICE	1			
7	(*****)	MOUNT (EARTH POINT/HINO,TOYOTA)	1			
8	(*****)	STEP (FOR KANDENKOU)	1			
9	(*****)	MOUNT	1			
10	(*****)	REFLECTOR (CARRIER)	1			
11	(*****)	VIEW SYSTEM (FOR HINO,TOYOTA)	1			
12	(*****)	COVER (FOR KINDEN/HINO/ ENGINE UPPER PART COVER)	1			
16	(*****)	EARTH ASSY	1			

AT-110-4 42084434400 LOWER,HINO TKG-XZU600X-TYMMC6
PB5410035-00 BOX,TOOL



AT-110-4 42084434400 LOWER,HINO TKG-XZU600X-TYMMC6

Pos No.	Parts No	Parts Name	Qty	Unit	Technical Data	Serial No (Start)	Serial No (End)	Re
2	42838487510	DOOR	1					
3	42838487520	DOOR	1					
4	42835717530	STOPPER	4					
5	42835487650	HINGE	6					
6	42835867870	CATCH	2					
7	42836317950	WEATHER STRIP	4	M				
8	42836317950	WEATHER STRIP	4	M				
9	82400000393	INSULATOR	2					
10	42838477510	GAS SPRING	1					
11	42838477540	BOLT ASSY (FOR DAMPER)	2					
12	42835717560	SUPPORT	1					
13	42834917570	SCREW,MACHINE (SEMS)	12		M5X14			
14	42835717580	SCREW,MACHINE (WITH W,NUT)	2		M4X16			
15	42833077610	BUSH	14					
16	80175805012	SCREW,MACHINE	18		M5X12			
17	42838477520	SUPPORT	1					
18	42838127510	BOLT (WITH SW,NUT)	4		M6X16			
19	42838477530	SUPPORT	1					
20	42838487550	GUIDE	1					
22	42835587520	SCREW,MACHINE (WITH SW)	2		M6X14			
23	42835797580	PLUG (HOLE)	16					
24	42835717650	SEAT	1					
25	42835717660	SEAT	1					
27	99164408016	BOLT (M8X16,WITH WASHER)	17					
28	42835717670	SUPPORT	1					
29	42835717680	SUPPORT	1					
30	42835717690	BOLT (WITH W)	4		M8X12			
31	42835717700	SEAL ASSY	1					
32	42835717790	BOLT (WITH W,2PIECES)	1		M10X12			
33	42835717750	BOLT (WITH W,SW,NUT)	4		M10X25			
34	42835717760	PLATE	2					
35	42836317930	PLATE	6					
36	99163006014	BOLT,SEMS (M6X14)	2					
37	42838117510	CATCH	2					
38	42838487540	PLATE	6					
39	37000512320	PLATE	2					
100	42838481000	BOX,TOOL	1					

AT-110-4 42084434400 LOWER,HINO TKG-XZU600X-TYMMC6

Pos No.	Parts No	Parts Name	Qty	Unit	Technical Data	Serial No (Start)	Serial No (End)	Remarks	Pages
1	42838487570	PACKING	2						
2	42837367520	PACKING	7						
3	42838487580	BOLT,BUTTON	4						
4	42838487590	WASHER	4						
5	42838487630	BOLT	3						
6	42838487600	WASHER	7						
7	42838487610	BOLT	4						
8	42838487620	PLATE	2						
9	42838347530	PACKING	1						
10	42838347540	PACKING	1						
100	42838347520	PACKING ASSY	1						

AT-110-4 42084434400 LOWER,HINO TKG-XZU600X-TYMMC6

Pos No.	Parts No	Parts Name	Qty	Unit	Technical Data	Serial No (Start)	Serial No (End)
1	42936460101	HARNESS	1				
2	82121101050	PLUG (BLACK/AV0.3 TO 0.5)	2				
3	82114102010	CONNECTOR (1P FEMALE,HOUSING)	1				
4	82111101510	TERMINAL	1				
5	82114101010	CONNECTOR	1				
6	82111101010	TERMINAL	1				
7	91810132530	FASTENER	10				

AT-110-4 42084434400 LOWER,HINO TKG-XZU600X-TYMMC6

Pos No.	Parts No	Parts Name	Qty	Unit	Technical Data	Serial No (Start)	Serial No (End)	Remarks	Pages
1	42971191001	SUPPORT ASSY	1						
2	42971100200	SUPPORT	1						
3	90101210025	BOLT	2		M10X25				
4	90302041001	WASHER,SPRING	2		10				
5	90201201000	NUT	2		M10				
6	90303071001	WASHER,PLAIN	2		10				
21	42971191200	SUPPORT	1						
22	37000127600	PIN	2						
23	80136350036	PIN,SPLIT	4		5X36				
24	42737771500	SUPPORT	1						
25	37001110060	ROLLER	2						
26	42737771400	SUPPORT	1						
27	90101208018	BOLT	2		M8X18				
28	80824003540	BEARING,PLAIN	1						
29	42971191300	SUPPORT	1						
30	90101210020	BOLT	2		M10X20				
31	90302040801	WASHER,SPRING	2		8				
32	42737771300	PIN	1						
33	90303072001	WASHER,PLAIN	8		20				
34	90302041001	WASHER,SPRING	2		10				

AT-110-4 42084434400 LOWER,HINO TKG-XZU600X-TYMMC6

Pos No.	Parts No	Parts Name	Qty	Unit	Technical Data	Serial No (Start)	Serial No (End)	Remarks	Pages
1	42970231100	SUPPORT	1		T=3.5		HK0464		
	42970231200	SUPPORT	1		T=4.5	HK0465			
2	91810130240	FASTENER	3						
7	42391163120	PLATE,NAME	1						

CLICK HERE TO **DOWNLOAD** THE COMPLETE MANUAL

- Thank you very much for reading the preview of the manual.
- You can download the complete manual from: www.heydownloads.com by clicking the link below



- Please note: If there is no response to CLICKING the link, please download this PDF first and then click on it.

CLICK HERE TO **DOWNLOAD** THE COMPLETE MANUAL

AT-110-4 42084434400 LOWER,HINO TKG-XZU600X-TYMMC6

Pos No.	Parts No	Parts Name	Qty	Unit	Technical Data	Serial No (Start)	Serial No (End)	Remarks	Pages
20	82182809623	DIODE	1						
25	82182500020	DIODE	1						
100	42936570101	HARNESS	1						

AT-110-4 42084434400 LOWER,HINO TKG-XZU600X-TYMMC6

Pos No.	Parts No	Parts Name	Qty	Unit	Technical Data	Serial No (Start)	Serial No (End)	Remarks	Pages
100	42715390100	HARNESS	1						

AT-110-4 42084434400 LOWER,HINO TKG-XZU600X-TYMMC6

Pos No.	Parts No	Parts Name	Qty	Unit	Technical Data	Serial No (Start)	Serial No (End)	Remarks	Pages
1	42715390100	HARNESS	1						000042

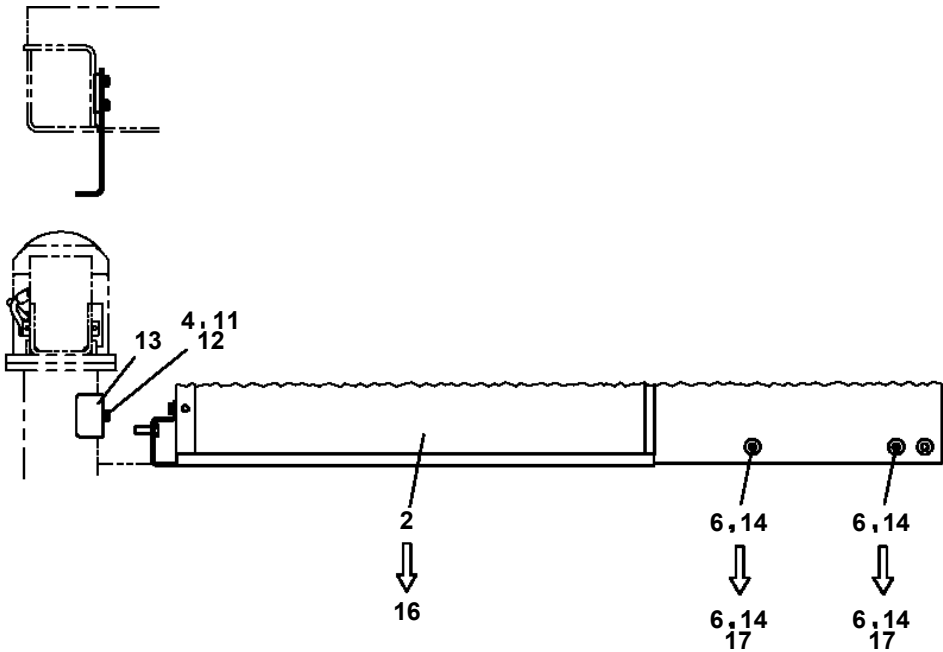
AT-110-4 42084434400 LOWER,HINO TKG-XZU600X-TYMMC6

Pos No.	Parts No	Parts Name	Qty	Unit	Technical Data	Serial No (Start)	Serial No (End)	Remarks	Pages
5	36160017550	HANDLE	1						
6	36160655020	SHAFT	1						
7	36160017560	WASHER,PLAIN	1						
8	36160655050	PLATE (RING)	1						
10	36160017590	PLATE (CONTACT)	1						
50	36160650000	REEL,CORD	1						

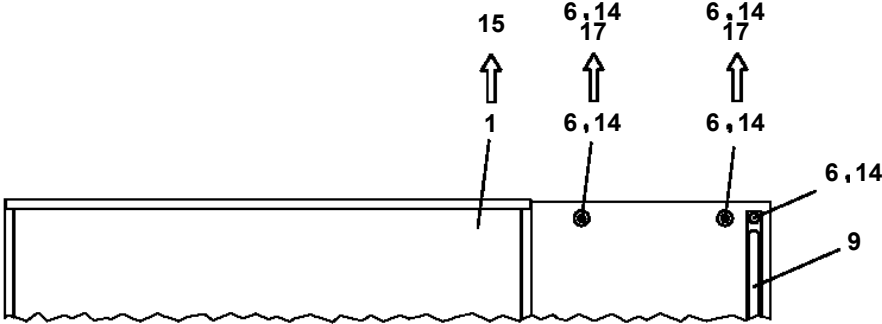
AT-110-4 42084434400 LOWER,HINO TKG-XZU600X-TYMMC6

Pos No.	Parts No	Parts Name	Qty	Unit	Technical Data	Serial No (Start)	Serial No (End)	Remarks	Page
1	31783550100	HOSE	1		L=1000				
2	37000805660	JOINT	1						
3	91803600160	CLIP	6		D=11-16				
4	37000803530	JOINT	1						
5	90201200800	NUT	2		M8				
7	37000913140	JOINT	1						
8	37000911190	JOINT	1						
9	80307040020	JOINT,SOCKET	1						
10	82100002040	CLAMP	2		WE15				
11	90302040801	WASHER,SPRING	2		8				
12	91803600250	CLIP	2		D=18-25				
13	91810132530	FASTENER	3						
14	82100001804	TUBE,CORRUGATE	1	M	15				

AT-110-4 42084434400 LOWER,HINO TKG-XZU600X-TYMMC6
PX1351049-02 BOX,TOOL (LEFT & RIGHT,DOUBLE-DECKER/2007)

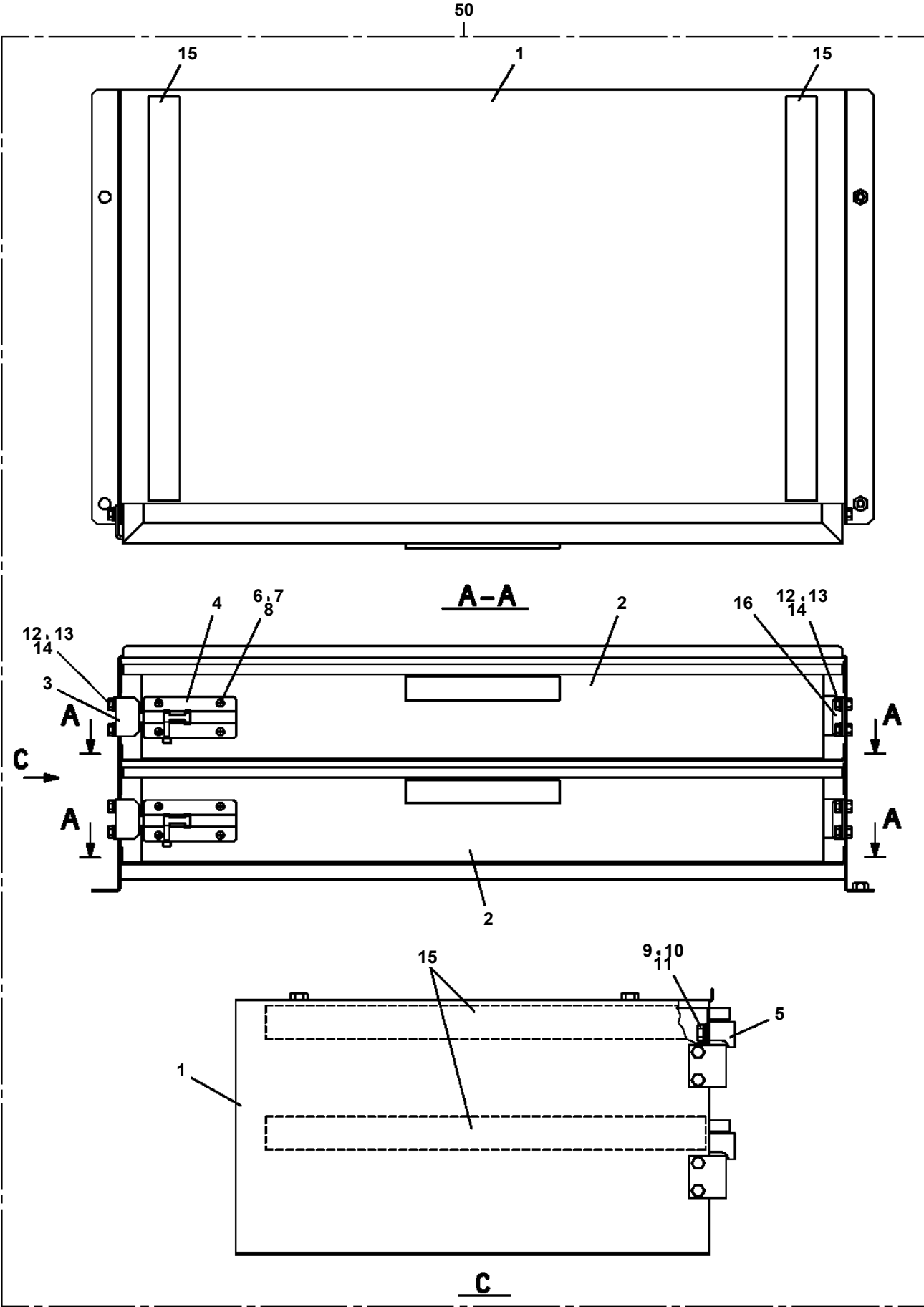


C

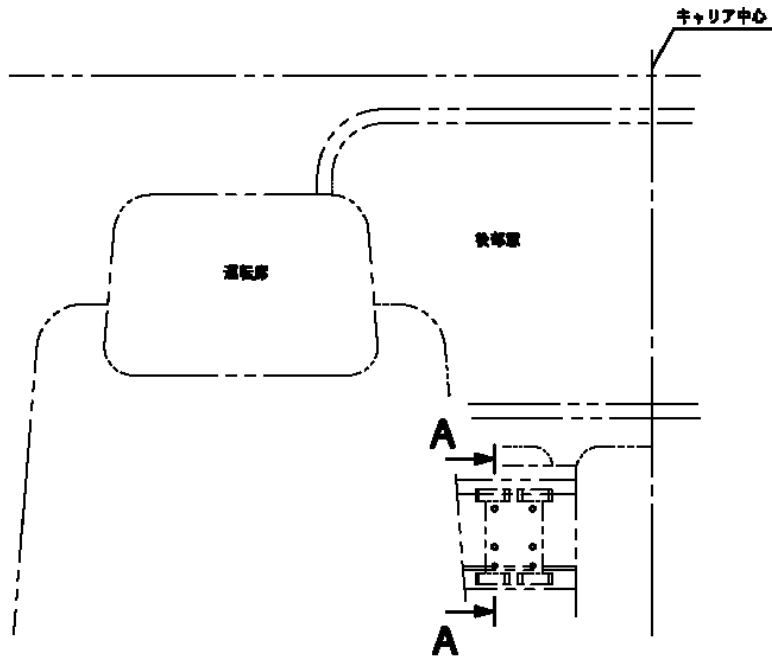


D

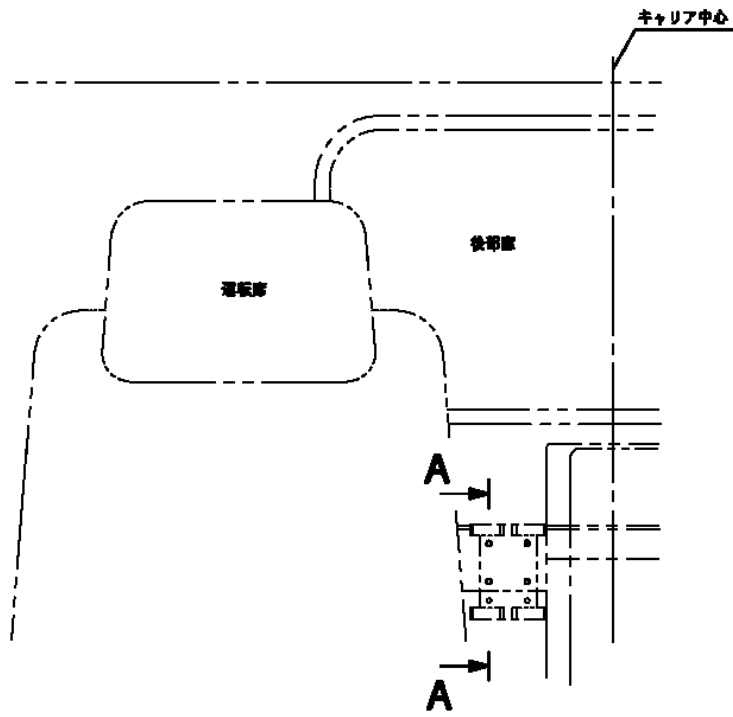
AT-110-4 42084434400 LOWER,HINO TKG-XZU600X-TYMMC6
PX1351188-00 BOX,TOOL



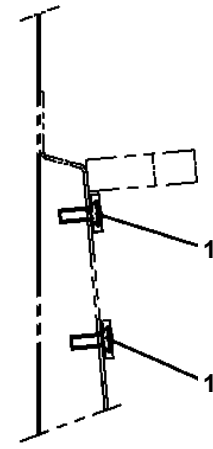
AT-110-4 42084434400 LOWER,HINO TKG-XZU600X-TYMMC6
PX1940302-00 MOUNT



キャブ内運転席左後部
いすゞ (BKG) 電工



キャブ内運転席左後部
日野・トヨタ (BDG) 電工



A-A

AT-110-4 42084434400 LOWER,HINO TKG-XZU600X-TYMMC6

Pos No.	Parts No	Parts Name	Qty	Unit	Technical Data	Serial No (Start)	Serial No (End)	Remarks	Pages
1	90201200800	NUT	6		M8				
2	42900220100	SUPPORT	2						
3	90101208020	BOLT	2		M8X20				
4	91850400601	CLAMP	4						
5	91810132530	FASTENER	10						
6	34700161000	LEVEL	1						
7	42901530100	HARNESS	1						000041
8	90101208016	BOLT	8		M8X16				
9	90302040801	WASHER,SPRING	10		8				

CLICK HERE TO **DOWNLOAD** THE COMPLETE MANUAL

- Thank you very much for reading the preview of the manual.
- You can download the complete manual from: www.heydownloads.com by clicking the link below



- Please note: If there is no response to CLICKING the link, please download this PDF first and then click on it.

CLICK HERE TO **DOWNLOAD** THE COMPLETE MANUAL