

AT-105-1 42055140100 LOWER,ISUZU U-NKR58EPN-5EXY

PX1000318-03 MOUNTING PARTS

PY1001227-00 OPTIONS

ASSEMBLY

CLICK HERE TO **DOWNLOAD** THE COMPLETE MANUAL

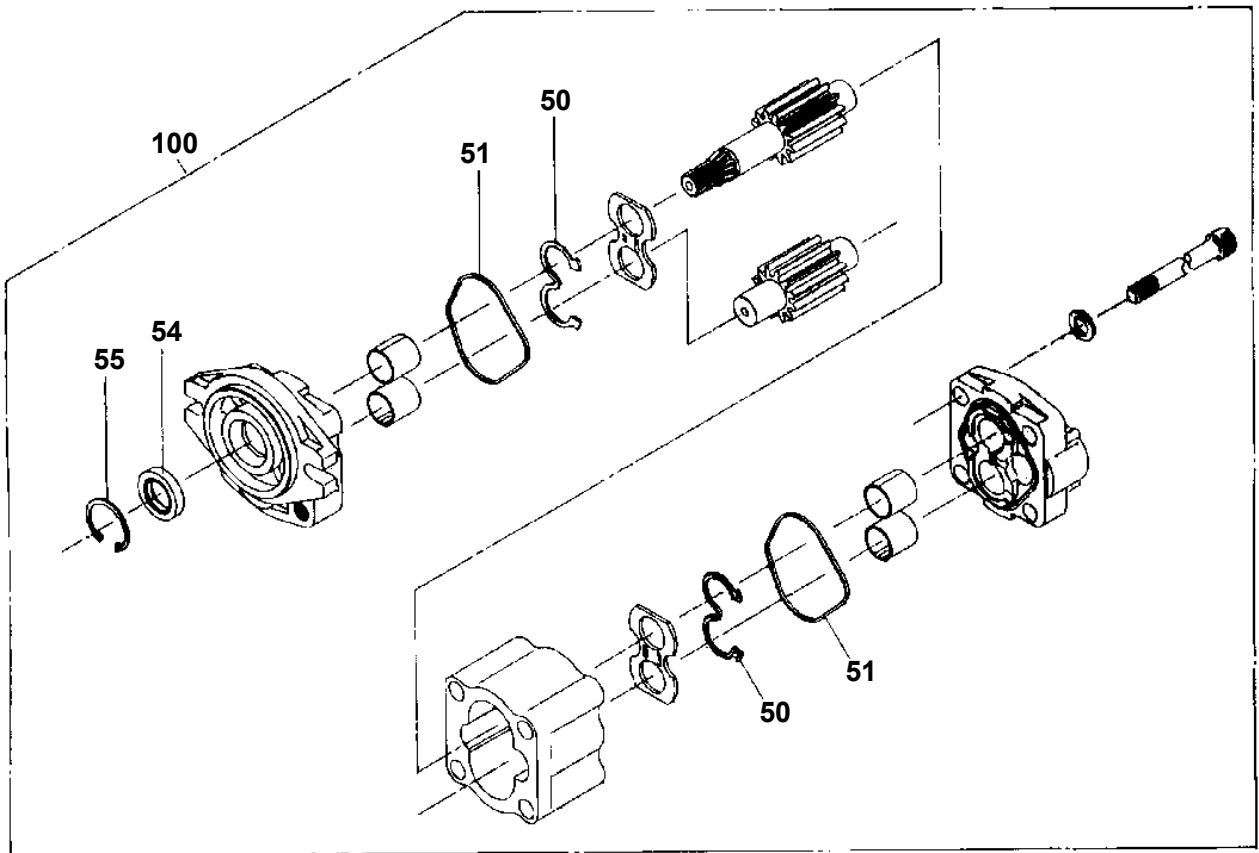
- Thank you very much for reading the preview of the manual.
- You can download the complete manual from: www.heydownloads.com by clicking the link below



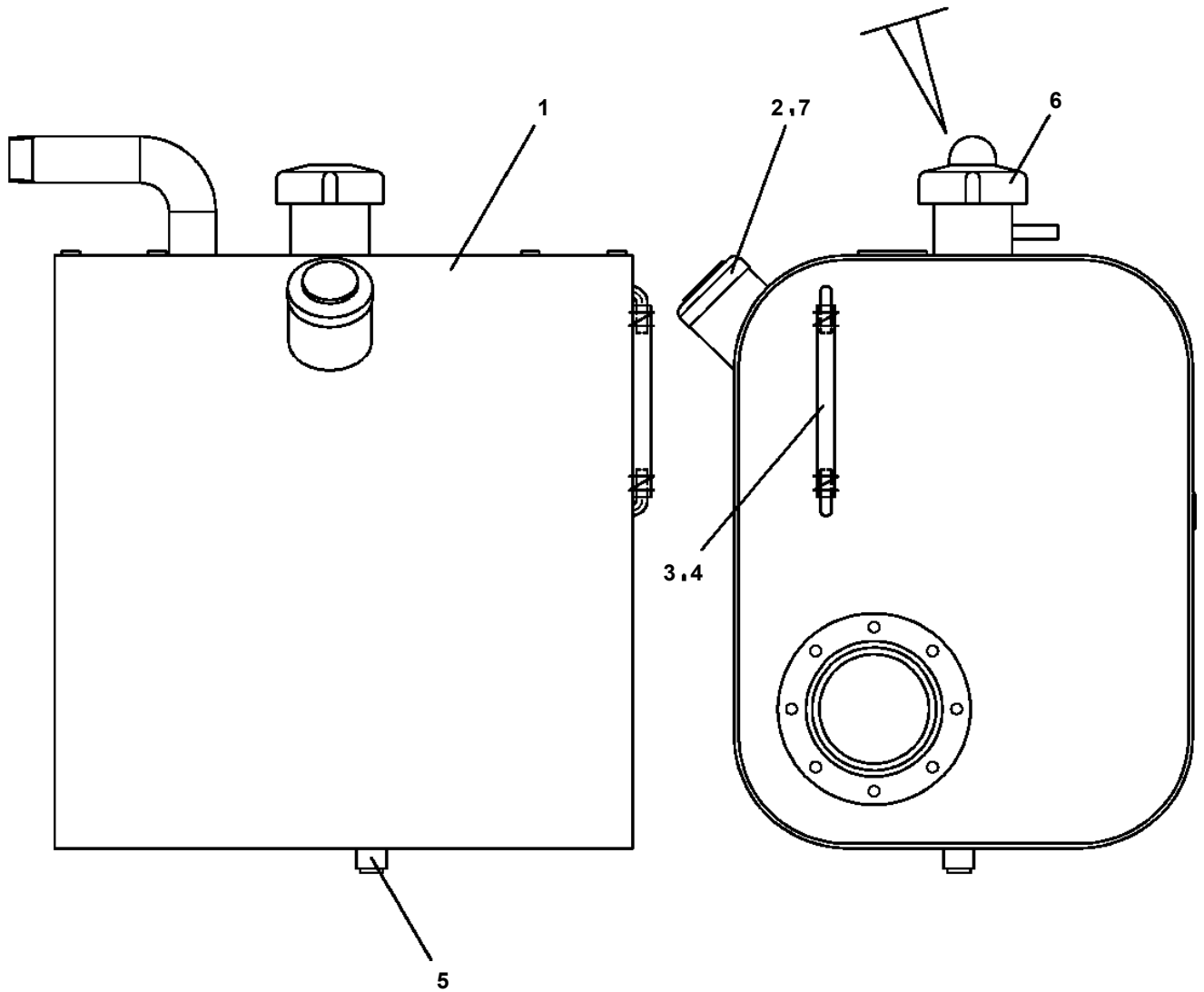
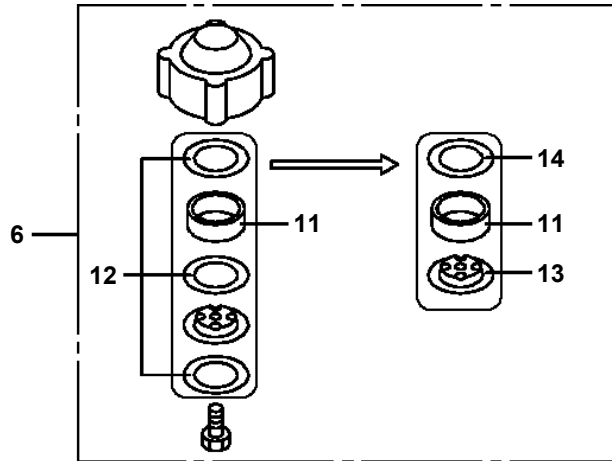
- Please note: If there is no response to CLICKING the link, please download this PDF first and then click on it.

CLICK HERE TO **DOWNLOAD** THE COMPLETE MANUAL

AT-105-1 42055140100 LOWER,ISUZU U-NKR58EPN-5EXY
PB1100097-00 PUMP,HYDRAULIC (L.10T)



AT-105-1 42055140100 LOWER,ISUZU U-NKR58EPN-5EXY
PB1130107-02 TANK,OIL



AT-105-1 42055140100 LOWER,ISUZU U-NKR58EPN-5EXY

Pos No.	Parts No	Parts Name	Qty	Unit	Technical Data	Serial No (Start)	Serial No (End)	Remarks	Pages
1	42711650100	SUPPORT	1						
2	90101506016	BOLT	2		M6X16				
3	90302040601	WASHER,SPRING	4		6				
4	90303070601	WASHER,PLAIN	6		6				
5	90101506020	BOLT	1		M6X20				
6	80136320012	PIN,SPLIT	2		2X12				
7	37000112370	PIN	1						
8	42710500300	SUPPORT	1						
9	42710132500	LINK	1						
10	82100002004	CLAMP	2		WR8				
11	37001706210	CABLE,CONTROL	1						
12	90101210016	BOLT	4		M10X16				
13	90302041001	WASHER,SPRING	4		10				
14	42712010300	SUPPORT	1						
15	90201200600	NUT	1		M6				
16	37000105720	PIN	1						
17	80182308014	SCREW,MACHINE	4		M8X14				
18	90302040801	WASHER,SPRING	4		8				
31	42712010110	CASE	1						
32	90101204010	BOLT	4		M4X10				
33	90302040401	WASHER,SPRING	5		4				
34	90303070401	WASHER,PLAIN	4		4				
35	42712010150	COVER	1						
36	42800040030	HARNESS	1						000013
37	80172303008	SCREW,MACHINE	4		M3X8				
38	82100001799	SOLENOID	1						
39	90101208020	BOLT	4		M8X20				
40	90201200800	NUT	5		M8				
41	90302040801	WASHER,SPRING	5		8				
42	90302040301	WASHER,SPRING	4		3				
43	82100002051	CLAMP	1		WS-A55				
44	80182306012	SCREW,MACHINE	1		M6X12				
45	42712160200	HARNESS	1						
46	90201200300	NUT	4		M3				
47	91810130230	FASTENER	1						
48	90101208014	BOLT	1		M8X14				

AT-105-1 42055140100 LOWER,ISUZU U-NKR58EPN-5EXY

Pos No.	Parts No	Parts Name	Qty	Unit	Technical Data	Serial No (Start)	Serial No (End)	Re
1	42737491100	HARNESS	1					
2	82100000192	TERMINAL	1					
3	82100000182	INSULATOR	1					
4	82100000191	TERMINAL	1					
5	82100000183	INSULATOR	1					
6	44430680200	BUZZER ASSY (WITH HARNESS)	1					
7	90302040601	WASHER,SPRING	3		6			
8	90101206010	BOLT	3		M6X1.0			
9	82100002596	RELAY	2					
10	82100002597	RELAY	1					
11	91810130250	FASTENER	15					

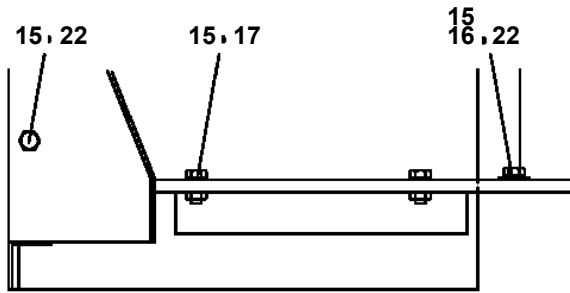
AT-105-1 42055140100 LOWER,ISUZU U-NKR58EPN-5EXY

Pos No.	Parts No	Parts Name	Qty	Unit	Technical Data	Serial No (Start)	Serial No (End)	Remarks	Pages
1	42880341001	SUPPORT	1						
2	90101212025	BOLT	4		M12X25				
3	90302041201	WASHER,SPRING	4		12				
4	56560009000	PIN	2						
5	80136330025	PIN,SPLIT	2						
6	90303071201	WASHER,PLAIN	2		12				
7	42880340100	BAND	2				216880		
	34880300100	BAND	2			216881			
8	90201201000	NUT	4		M10				

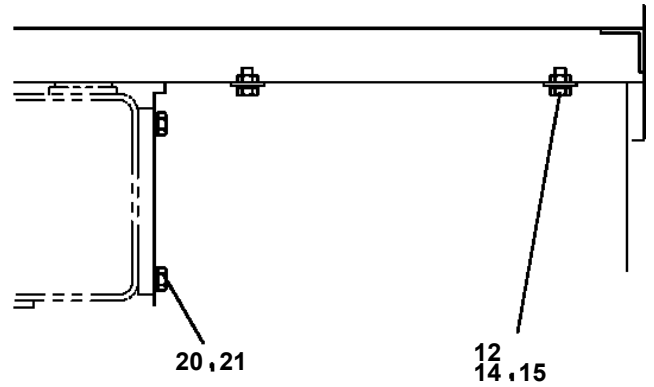
AT-105-1 42055140100 LOWER,ISUZU U-NKR58EPN-5EXY

Pos No.	Parts No	Parts Name	Qty	Unit	Technical Data	Serial No (Start)	Serial No (End)	Remarks	Pages
1	42735270100	SUPPORT	1						

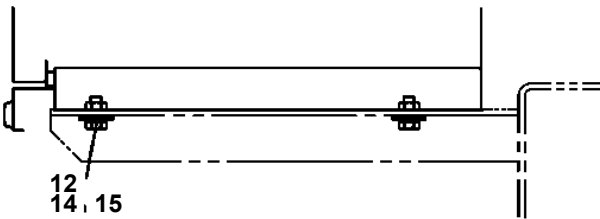
**AT-105-1 42055140100 LOWER,ISUZU U-NKR58EPN-5EXY
PX1350160-05 BOX,TOOL**



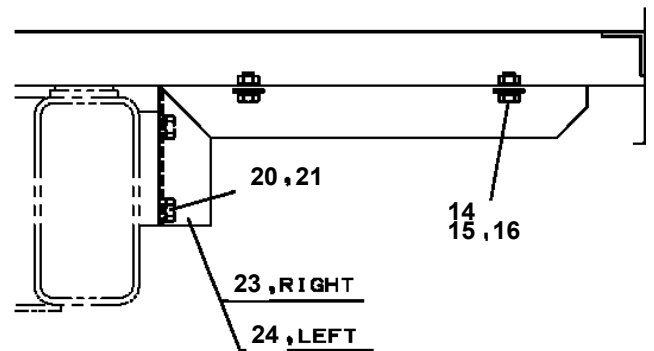
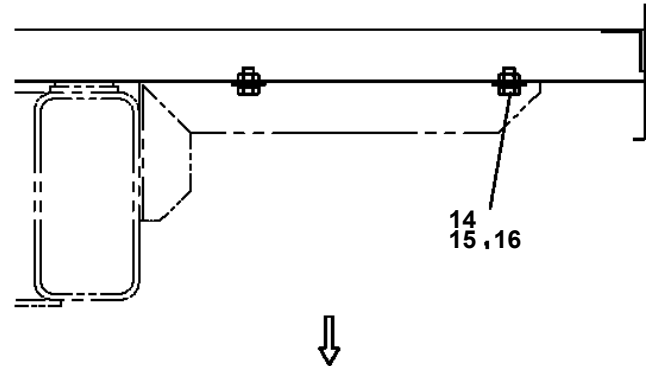
C



D



E



F

AT-105-1 42055140100 LOWER,ISUZU U-NKR58EPN-5EXY

Pos No.	Parts No	Parts Name	Qty	Unit	Technical Data	Serial No (Start)	Serial No (End)
1	42831877580	BODY,BOX	1			216162	
2	42831877730	DOOR (UPPER)	1			216162	
3	42831877740	DOOR (LOWER,RIGHT)	1			216162	
4	42831877750	DOOR (LOWER,LEFT)	1			216162	
6	42831877540	INSULATOR	4			216162	
7	82400000393	INSULATOR	2			216162	
8	42833077560	PLATE	7			216162	
9	82461015111	CATCH (WITH KEY)	3			215815	216161
	82461015111	CATCH (WITH KEY)	3			216162	
10	82461015112	CATCH (WITHOUT KEY)	1			215815	
11	82464110008	HINGE	7			216162	
12	42833157590	STRIKER	4			216162	
13	80192484008	SCREW,MACHINE	4		M4X8	216162	216408
	80192484012	SCREW,MACHINE (WITH WASHER)	4		M4X12	216409	
14	80192484016	SCREW,MACHINE	2		M4X16	216162	
15	80192435012	SCREW,MACHINE	8		M5X12	216162	
16	42833437760	SCREW,MACHINE	8		M5X10	216162	
17	42833027520	SCREW,MACHINE	56		M5X12	216162	
18	80175804010	SCREW,MACHINE	8		M4X10	216162	
19	80182406025	SCREW,MACHINE	4		M6X25	216162	
	90302040601	WASHER,SPRING	4		6	216162	
	90201200600	NUT	8		M6	216162	
	90303070601	WASHER,PLAIN	4		6	216162	
20	42831877600	WEATHER STRIP ASSY	1			216162	
21	42833077610	BUSH	7			216409	
27	82460015111	CATCH (WITH KEY)	3				215814
28	82460015112	CATCH (WITHOUT KEY)	1				215814
29	82464110209	HINGE	8			215815	216161
31	42831877550	DOOR ASSY (UPPER)	1			216162	
32	42831877560	DOOR ASSY (LOWER,RIGHT)	1			216162	
33	42831877570	DOOR ASSY (LOWER,LEFT)	1			216162	
41	42833447560	WEATHER STRIP	1		L=2200	216162	
42	42831877590	WEATHER STRIP	1		L=1700	216162	
43	42833157630	WEATHER STRIP	2		L=1400	216162	
44	42833447580	WEATHER STRIP	2		L=800	216162	
51	91910000400	KEY (NO.400)	3				215814
100	42831871000	BOX,TOOL (RIGHT)	1				
	42831871000	BOX,TOOL (RIGHT)	1				

AT-105-1 42055140100 LOWER,ISUZU U-NKR58EPN-5EXY

Pos No.	Parts No	Parts Name	Qty	Unit	Technical Data	Serial No (Start)	Serial No (End)	Remarks	Page
1	42736961000	BOX,TOOL	1						
21	42833321000	BOX,TOOL (RIGHT)	1						00004
31	42736801200	SUPPORT	1						

CLICK HERE TO **DOWNLOAD** THE COMPLETE MANUAL

- Thank you very much for reading the preview of the manual.
- You can download the complete manual from: www.heydownloads.com by clicking the link below



- Please note: If there is no response to CLICKING the link, please download this PDF first and then click on it.

CLICK HERE TO **DOWNLOAD** THE COMPLETE MANUAL