

AT-100-2 42063241200 LOWER,ISUZU KK-NKR66EP-5EXY

**PB3000083-00 POWER UNIT
PO1000149-00 INDICATION PLATES
PX2000499-00 CARRIER UNIT
PX3000299-00 MOUNTING UNIT
PY1000643-03 OPTIONS
ASSEMBLY**

CLICK HERE TO **DOWNLOAD** THE COMPLETE MANUAL

- Thank you very much for reading the preview of the manual.
- You can download the complete manual from: www.heydownloads.com by clicking the link below



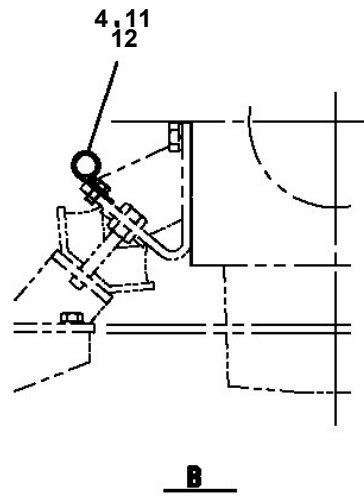
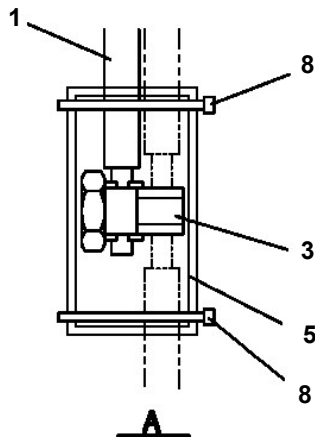
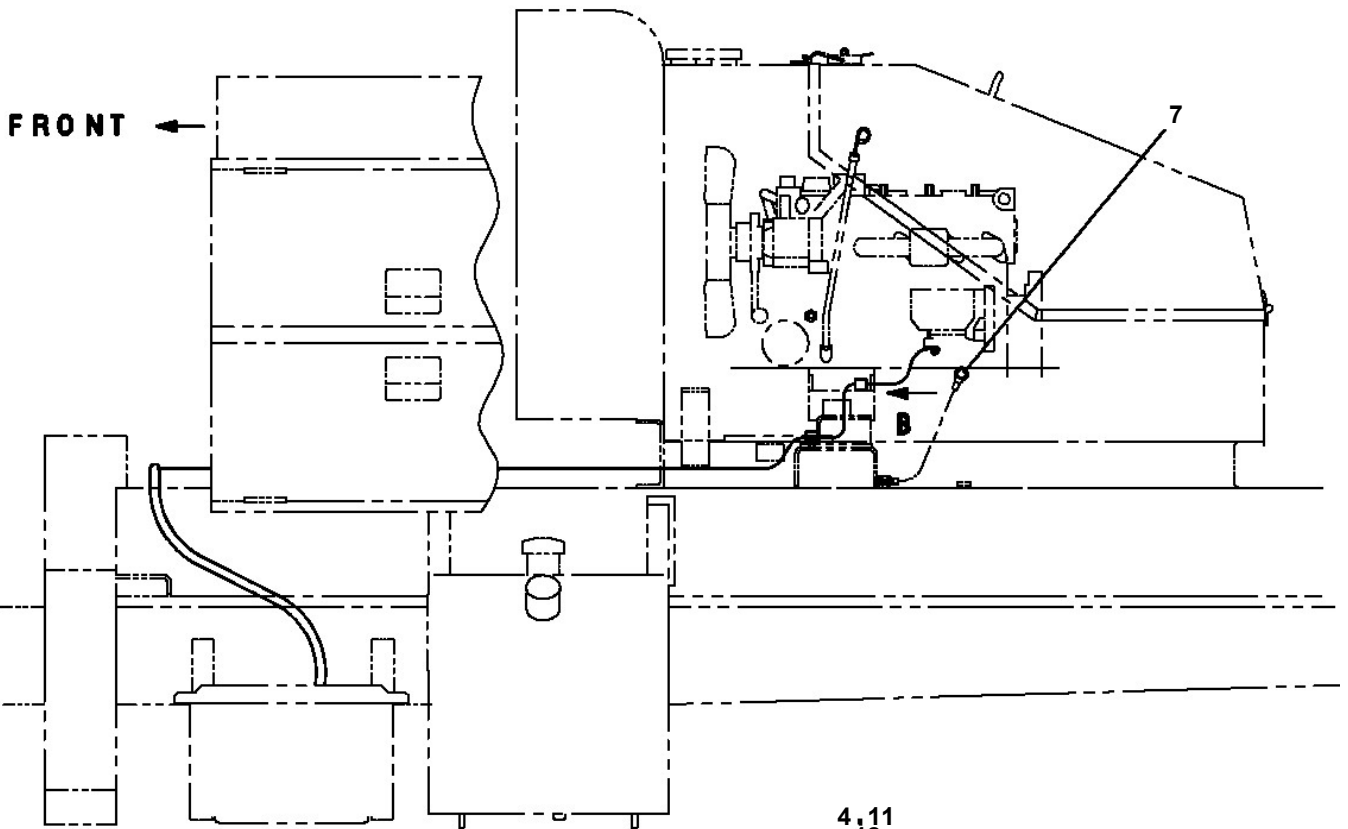
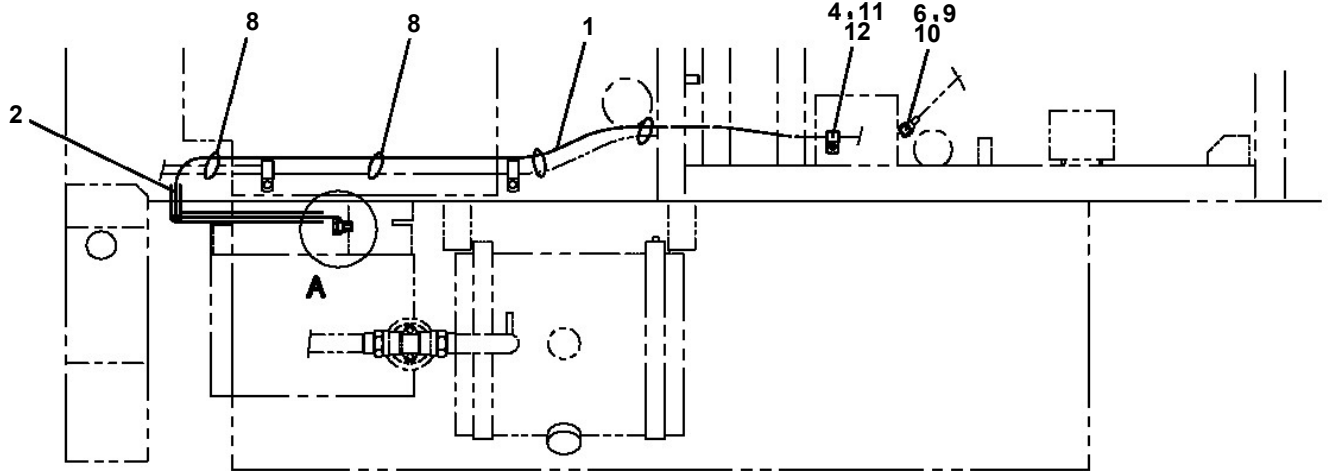
- Please note: If there is no response to CLICKING the link, please download this PDF first and then click on it.

CLICK HERE TO **DOWNLOAD** THE COMPLETE MANUAL

AT-100-2 42063241200 LOWER,ISUZU KK-NKR66EP-5EXY

Pos No.	Parts No	Parts Name	Qty	Unit	Technical Data	Serial No (Start)	Serial No (End)
1	(*****)	POWER SUPPLY (LOWER)	1				
2	(*****)	BOX,TOOL (OPTION)	1				
3	(*****)	MOUNT,SUPPORT	1				
4	(*****)	EARTHING DEVICE (8X20M)	1				
	(*****)	EARTHING DEVICE (8X10M,OPTION)	1				
6	(*****)	OPE.ASSY (LEVELING/WITH POWER SUPPLY)	1				
	(*****)	OPE.ASSY (LEVELING/WITHOUT POWER SUPPLY)	1				
8	(*****)	STEP	1			217780	
9	(*****)	VIEW SYSTEM (FOR ISUZU/ST-900)	1				

**AT-100-2 42063241200 LOWER,ISUZU KK-NKR66EP-5EXY
PB1370124-00 POWER SUPPLY (WIRING,POWER UNIT)**



AT-100-2 42063241200 LOWER,ISUZU KK-NKR66EP-5EXY

Pos No.	Parts No	Parts Name	Qty	Unit	Technical Data	Serial No (Start)	Serial No (End)	Remarks
2	90101208016	BOLT	2		M8X16			
3	90302040801	WASHER,SPRING	2		8			
5	90101210020	BOLT	2		M10X20			
6	90302041001	WASHER,SPRING	2		10			
9	37002412190	HOSE	1		L=400			
10	37002433330	HOSE	1		L=420			
11	37002449130	HOSE	1		L=500			
12	37002465910	HOSE	2		L=580			
13	82100001411	TUBE,SPIRAL	1	M	SE-08BK			
14	81408000160	PIPE,STEEL	1	M	12X1.4T			
15	81408000160	PIPE,STEEL	1	M	12X1.4T			
16	37000926220	FITTING,ELBOW	2					
17	42310825240	ORIFICE	2		0.8			
18	80320010080	FITTING	2		KUD12-030N			
19	80305010100	FITTING,TEE	2		KTA12-000N			
20	37000927890	JOINT	2					
21	81408000160	PIPE,STEEL	1	M	12X1.4T			
22	81408000160	PIPE,STEEL	1	M	12X1.4T			
23	81408000160	PIPE,STEEL	1	M	12X1.4T			
24	81408000160	PIPE,STEEL	1	M	12X1.4T			
25	42477733500	CLAMP ASSY	1					
41	36646270000	VALVE,SOLENOID	1					
42	80302090141	FITTING	2		KCO12-020N			
43	91002801100	O-RING	13		1B P11			
44	42344511100	FITTING,FLANGE	1					
51	90172110050	BOLT,HEXAGON SOCKET	4		M10X50			
52	36624630000	VALVE,CHECK	1					
53	42344093100	JOINT	1					
54	80312140020	VALVE,BREATHER	2					
55	91002801400	O-RING	2		1B P14			
56	37000921950	JOINT	2					
58	80430620400	JOINT	2					
59	80316070040	PLUG	2		PF1/4			
60	80400160127	JOINT	2					
61	37000925690	JOINT	1					
62	80303130141	FITTING,ELBOW	2		KLO12-020E			

AT-100-2 42063241200 LOWER,ISUZU KK-NKR66EP-5EXY

Pos No.	Parts No	Parts Name	Qty	Unit	Technical Data	Serial No (Start)	Serial No (End)	Remarks	Pages
1	42739961100	SUPPORT	1						
2	91810130240	FASTENER	3						
3	42739961200	COVER	1						

AT-100-2 42063241200 LOWER,ISUZU KK-NKR66EP-5EXY

Pos No.	Parts No	Parts Name	Qty	Unit	Technical Data	Serial No (Start)	Serial No (End)	Remarks	Pages
100	42479352100	HARNESS	1						

CLICK HERE TO **DOWNLOAD** THE COMPLETE MANUAL

- Thank you very much for reading the preview of the manual.
- You can download the complete manual from: www.heydownloads.com by clicking the link below



- Please note: If there is no response to CLICKING the link, please download this PDF first and then click on it.

CLICK HERE TO **DOWNLOAD** THE COMPLETE MANUAL

AT-100-2 42063241200 LOWER,ISUZU KK-NKR66EP-5EXY

Pos No.	Parts No	Parts Name	Qty	Unit	Technical Data	Serial No (Start)	Serial No (End)	Remarks	Pages
3	36605115010	POPPET	1						
6	36605115020	PLUNGER	1						
7	70320127520	BUSH	1						
9	70320127540	SPRING	1						
10	70320027625	SPRING	1						
12	36605115040	SCREW	1						
14	80316030020	PLUG	2		PT1/8				
15	80316030010	PLUG	1		NPTF1-16				
16	91002800900	O-RING	4		1B P9				
17	91001101001	O-RING	1		1A P10A				
18	91002801400	O-RING	1		1B P14				
19	91002801800	O-RING	1		1B P18				
20	91000501300	O-RING	1		AS568-013				
21	36602775040	KNOB (A)	1						
22	36602775050	KNOB	1						
23	36605115050	SCREW	1						
50	36605110000	VALVE,RELIEF	1						

AT-100-2 42063241200 LOWER,ISUZU KK-NKR66EP-5EXY
 PL1920030-01 OPE.ASSY (LEVELING/WITHOUT POWER SUPPLY)

指示番号 KEY NO.	オペ .ASSY (レベ リンク /シ ョウブ ユアツトリタ シナシ:ウインチナシ) OPE.ASSY (LEVELING/WITHOUT POWER SUPPLY:WITHOUT WINCH)
1	マウント, サポ ート MOUNT, SUPPORT
2	ハイセンASSY (バケツ) ELEC.ASSY (BUCKET)
3	ハイセンASSY (スイング フレーム) ELEC.ASSY (SWING FRAME)
4	パ イピ ング PIPING
5	パ イピ ング ,アウトレツト PIPING, OUTLET
9	ハイセンASSY (ブーム) ELEC.ASSY (BOOM)

AT-100-2 42063241200 LOWER,ISUZU KK-NKR66EP-5EXY

Pos No.	Parts No	Parts Name	Qty	Unit	Technical Data	Serial No (Start)	Serial No (End)
1	42479352100	HARNESS	1				
2	42479352400	HARNESS	1				
3	42331791200	SWITCH ASSY (WITH HARNESS,1 SW)	1				
4	42433932200	SWITCH ASSY (WITH HARNESS,1 SW)	1				
5	42950623050	PLATE,NAME	1				
6	42950566020	PLATE,NAME	1				
7	91810130240	FASTENER	15				
8	82197518119	CAP (PLUS ONE MFG./BLACK)	2				
	82197518114	CAP (MATSUSHITA/BLACK)	2				

AT-100-2 42063241200 LOWER,ISUZU KK-NKR66EP-5EXY

Pos No.	Parts No	Parts Name	Qty	Unit	Technical Data	Serial No (Start)	Serial No (End)	Remarks	Pages
2	36160017530	WASHER,SPRING	1				217455		
3	36160017540	WASHER,PLAIN	1				217455		
4	36160655040	DRUM ASSY	1				217455		
5	36160017550	HANDLE	1						
6	36160655020	SHAFT	1						
7	36160017560	WASHER,PLAIN	1						
8	36160655050	PLATE (RING)	1						
10	36160017590	PLATE (CONTACT)	1						
50	36160650000	REEL,CORD	1						

AT-100-2 42063241200 LOWER,ISUZU KK-NKR66EP-5EXY

Pos No.	Parts No	Parts Name	Qty	Unit	Technical Data	Serial No (Start)	Serial No (End)	Remarks	Pages
1	42773460101	GUARD,SIDE	1						
2	90101210020	BOLT	8		M10X20				
3	90302041001	WASHER,SPRING	8		10				
4	90201201000	NUT	4		M10				
5	42773460200	GUARD,SIDE	1						

AT-100-2 42063241200 LOWER,ISUZU KK-NKR66EP-5EXY

Pos No.	Parts No	Parts Name	Qty	Unit	Technical Data	Serial No (Start)	Serial No (End)	Remarks	Pages
1	90101206016	BOLT	8		M6X16				
2	90302040601	WASHER,SPRING	11		6		217522		
	90302040601	WASHER,SPRING	8		6	217523			
3	42930140100	SUPPORT	1				218436		
	42806990300	SUPPORT	1			218437			
4	82100002006	CLAMP	3		WR10		217522		
	91850400601	CLAMP	3			217523			
5	90201200600	NUT	9		M6		217522		
	90201200600	NUT	6		M6	217523			
6	34700161000	LEVEL	1						
7	42806990100	SUPPORT	1						
8	90101208016	BOLT	4		M8X16				
9	90302040801	WASHER,SPRING	4		8				
10	42806990200	SUPPORT	1						
11	91810132530	FASTENER	10				217522		
	91810132530	FASTENER	13			217523			
12	82100000191	TERMINAL	12				217819		
	42806830400	HARNESS	1			217820			000023
13	82100000183	INSULATOR	12				217819		
	42806830800	HARNESS	1			217820			000024
14	82100000192	TERMINAL	12				217819		
15	82100000182	INSULATOR	12				217819		

AT-100-2 42063241200 LOWER,ISUZU KK-NKR66EP-5EXY

Pos No.	Parts No	Parts Name	Qty	Unit	Technical Data	Serial No (Start)	Serial No (End)	Remarks	Pages
1	42737761000	BOX,TOOL	1						000058
2	90101208014	BOLT	4		M8X14				
3	90302040801	WASHER,SPRING	4		8				
4	37000547660	PLATE	2		T=2.3				
5	42737760010	PLATE	2						

CLICK HERE TO **DOWNLOAD** THE COMPLETE MANUAL

- Thank you very much for reading the preview of the manual.
- You can download the complete manual from: www.heydownloads.com by clicking the link below



- Please note: If there is no response to CLICKING the link, please download this PDF first and then click on it.

CLICK HERE TO **DOWNLOAD** THE COMPLETE MANUAL