

**AT-100-2 42063241300 LOWER,ISUZU KK-NKS71GAV-5EXY**

PB3000082-00 POWER UNIT  
PO1000149-00 INDICATION PLATES  
PX2000497-01 CARRIER UNIT  
PX3000299-00 MOUNTING UNIT  
PY1000643-03 OPTIONS  
ASSEMBLY

CLICK HERE TO **DOWNLOAD** THE COMPLETE MANUAL

- Thank you very much for reading the preview of the manual.
- You can download the complete manual from: [www.heydownloads.com](http://www.heydownloads.com) by clicking the link below



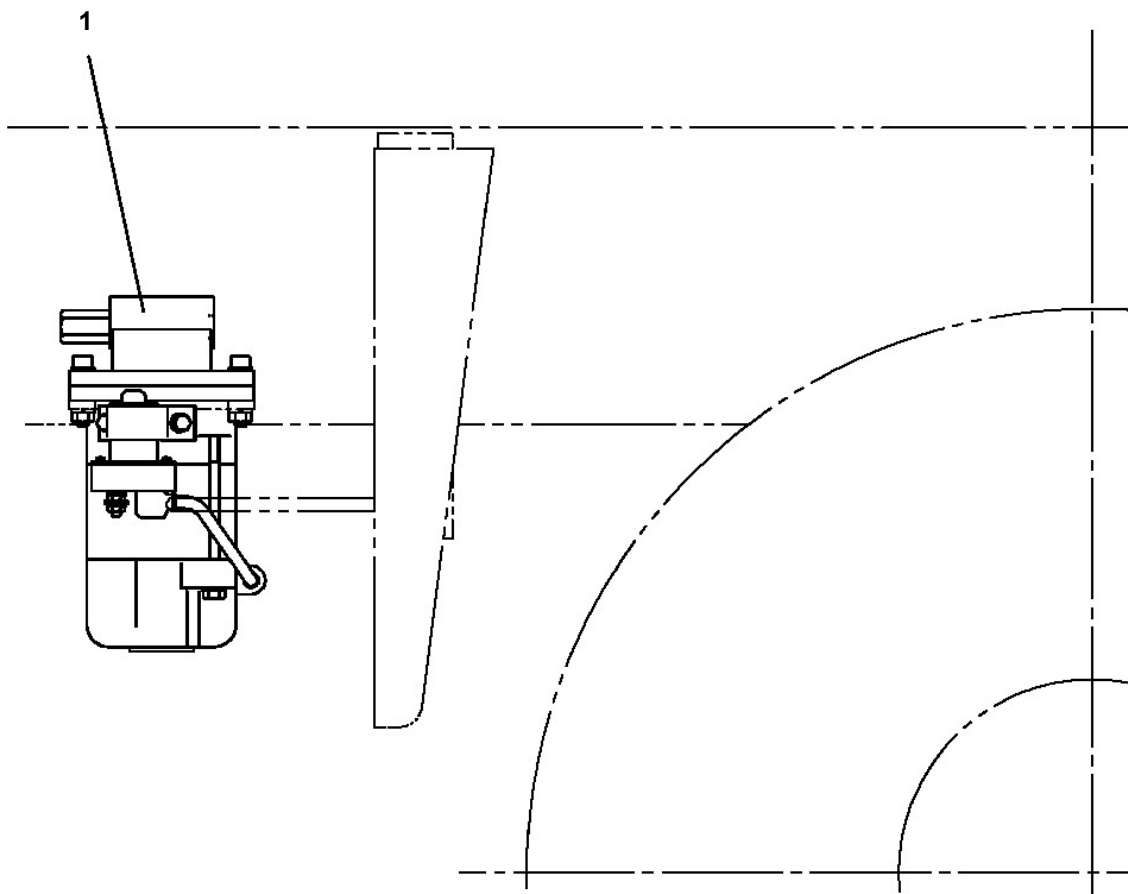
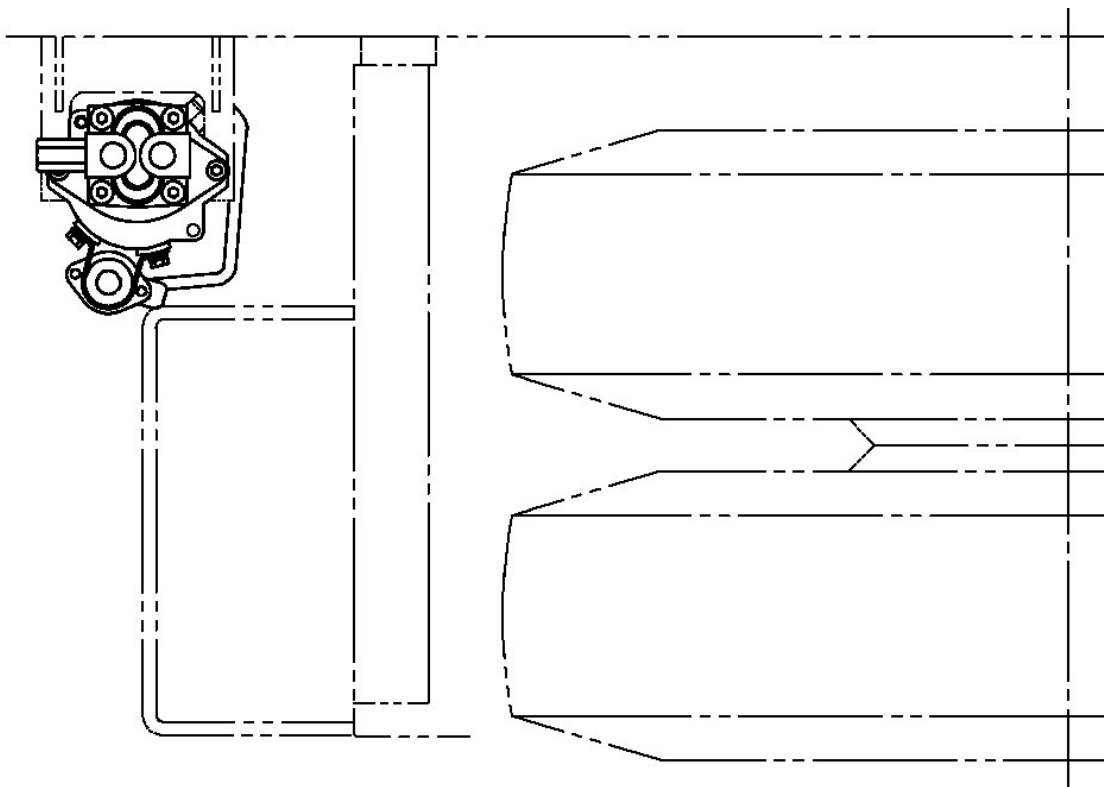
- Please note: If there is no response to CLICKING the link, please download this PDF first and then click on it.

CLICK HERE TO **DOWNLOAD** THE COMPLETE MANUAL

# AT-100-2 42063241300 LOWER,ISUZU KK-NKS71GAV-5EXY

Pos No.	Parts No	Parts Name	Qty	Unit	Technical Data	Serial No (Start)	Serial No (End)
1	(*****)	POWER SUPPLY (LOWER)	1				
2	(*****)	BOX,TOOL (OPTION)	1				
3	(*****)	MOUNT,SUPPORT	1				
4	(*****)	EARTHING DEVICE (8X20M)	1				
	(*****)	EARTHING DEVICE (8X10M,OPTION)	1				
6	(*****)	OPE.ASSY (LEVELING/WITHOUT POWER SUPPLY)	1				
	(*****)	OPE.ASSY (LEVELING/WITH POWER SUPPLY)	1				
8	(*****)	STEP	1			217780	
9	(*****)	VIEW SYSTEM (FOR ISUZU/ST-900)	1				

**AT-100-2 42063241300 LOWER,ISUZU KK-NKS71GAV-5EXY  
PB1110008-00 MOUNT,PUMP (EMERGENCY)**



# AT-100-2 42063241300 LOWER,ISUZU KK-NKS71GAV-5EXY

Pos No.	Parts No	Parts Name	Qty	Unit	Technical Data	Serial No (Start)	Serial No (End)
1	80400160190	JOINT (WITH O-RING)	1				
2	37002500480	HOSE	1		L=1450		
3	91803880070	CLIP	3		D=13.1-16.2		
4	37000711010	CLAMP ASSY	1		18X1		
5	81408000241	PIPE,STEEL	1	M	18X1.9T		
6	80303130141	FITTING,ELBOW	1		KLO12-020E		
7	42643050300	JOINT	1				
8	91002801400	O-RING	2		1B P14		
9	37002503760	HOSE	1		L=490		
10	91803600300	CLIP	4		D=22-30		
11	80400160131	JOINT	1				
12	91002801800	O-RING	2		1B P18		
13	44340011200	JOINT	2		PF1		
14	91002802900	O-RING	3		1B P29		
15	36672280000	FILTER,OIL (YAMASHIN)	1				
16	81408000160	PIPE,STEEL	1	M	12X1.4T		
17	37002513300	HOSE	1		L=535		
18	90101208020	BOLT	5		M8X20		
19	90302040801	WASHER,SPRING	10		8		
20	80302090241	FITTING	1		KCO18-040N		
21	80302090161	FITTING	1		KCO12-030N		
22	36625240000	VALVE,CHECK (MORIKAWA GAUGE)	1				
	36625250000	VALVE,CHECK (UZUMAKI)	1				
24	82100002016	CLAMP	1		WR25		
25	42645300300	FITTING,FLANGE	1				
26	91001204500	O-RING	1		1A G45		
27	90101208025	BOLT	3		M8X25		
28	90201200800	NUT	3		M8		
29	37002429010	HOSE	1		L=650		
30	37002500150	HOSE	1		L=700		
31	82100002019	CLAMP	1		WR40		
32	42643050010	SUPPORT	1				
33	91803600400	CLIP	8		D=27-40		
34	91810132530	FASTENER	3				
35	42643050600	SUPPORT	1				
37	90101208060	BOLT	2		M8X60		
61	91002801100	O-RING	2		1B P11		
71	42645290210	JOINT	1				
72	80302090241	FITTING	1		KCO18-040N		
73	91002801800	O-RING	2		1B P18		
74	80302090201	FITTING	1		KCO15-040N		
75	42643051000	SWITCH ASSY (THERMO)	1				
76	80456950401	JOINT,SELF SEALING (COUPLER)	1				

# AT-100-2 42063241300 LOWER,ISUZU KK-NKS71GAV-5EXY

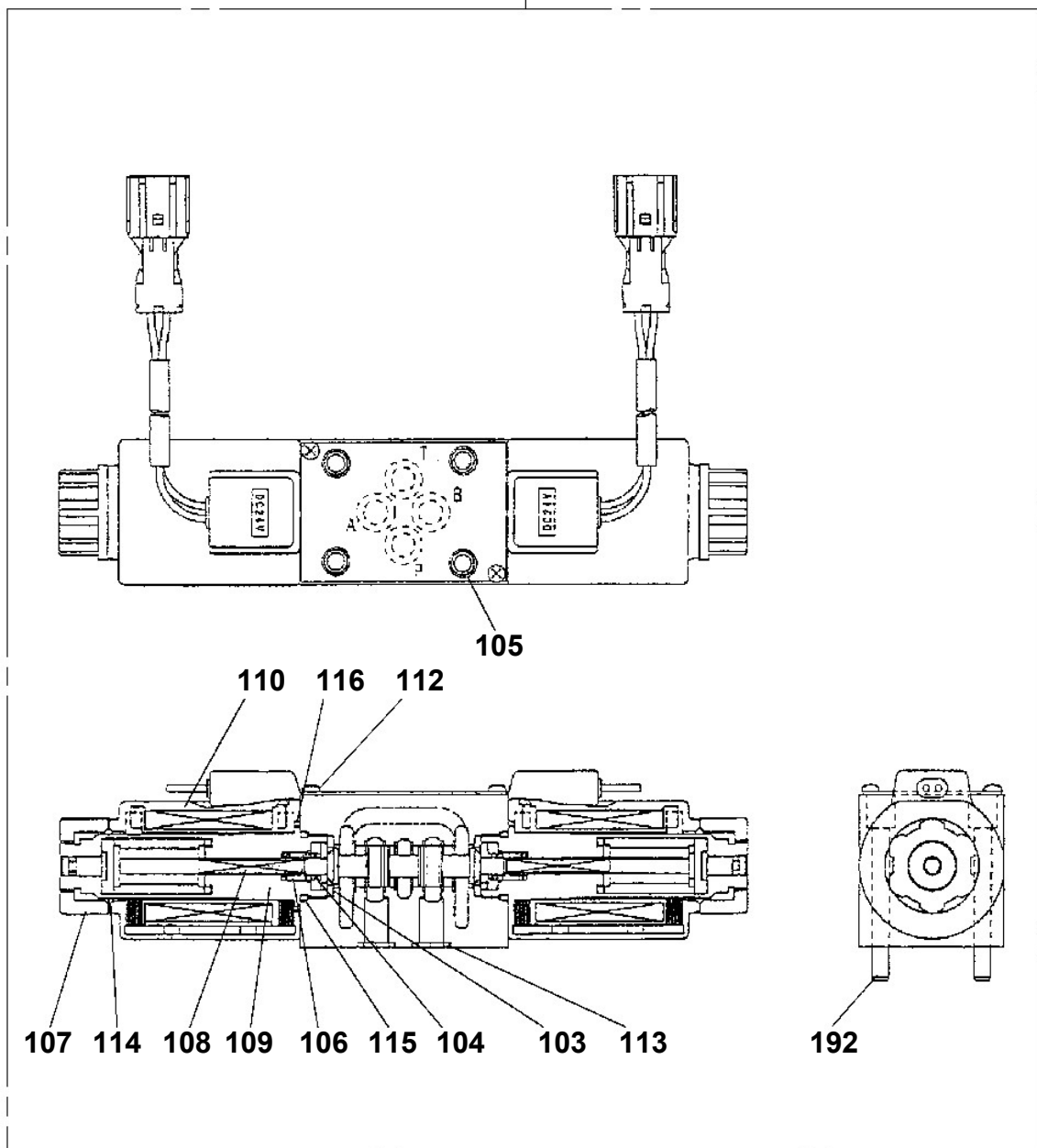
Pos No.	Parts No	Parts Name	Qty	Unit	Technical Data	Serial No (Start)	Serial No (End)	Remarks
2	42739697510	CABLE ASSY	1					
3	42739697540	CABLE ASSY	1					
4	42739697520	CLIP	1					
5	42739697530	REMOTE CONTROL ASSY	1					
100	42739931110	DISPLAY	1					

# AT-100-2 42063241300 LOWER,ISUZU KK-NKS71GAV-5EXY

Pos No.	Parts No	Parts Name	Qty	Unit	Technical Data	Serial No (Start)	Serial No (End)	Remarks	Pages
100	42479352100	HARNESS	1						

**AT-100-2 42063241300 LOWER,ISUZU KK-NKS71GAV-5EXY  
PI1120157-01 VALVE,SOLENOID**

200



CLICK HERE TO **DOWNLOAD** THE COMPLETE MANUAL

- Thank you very much for reading the preview of the manual.
- You can download the complete manual from: [www.heydownloads.com](http://www.heydownloads.com) by clicking the link below

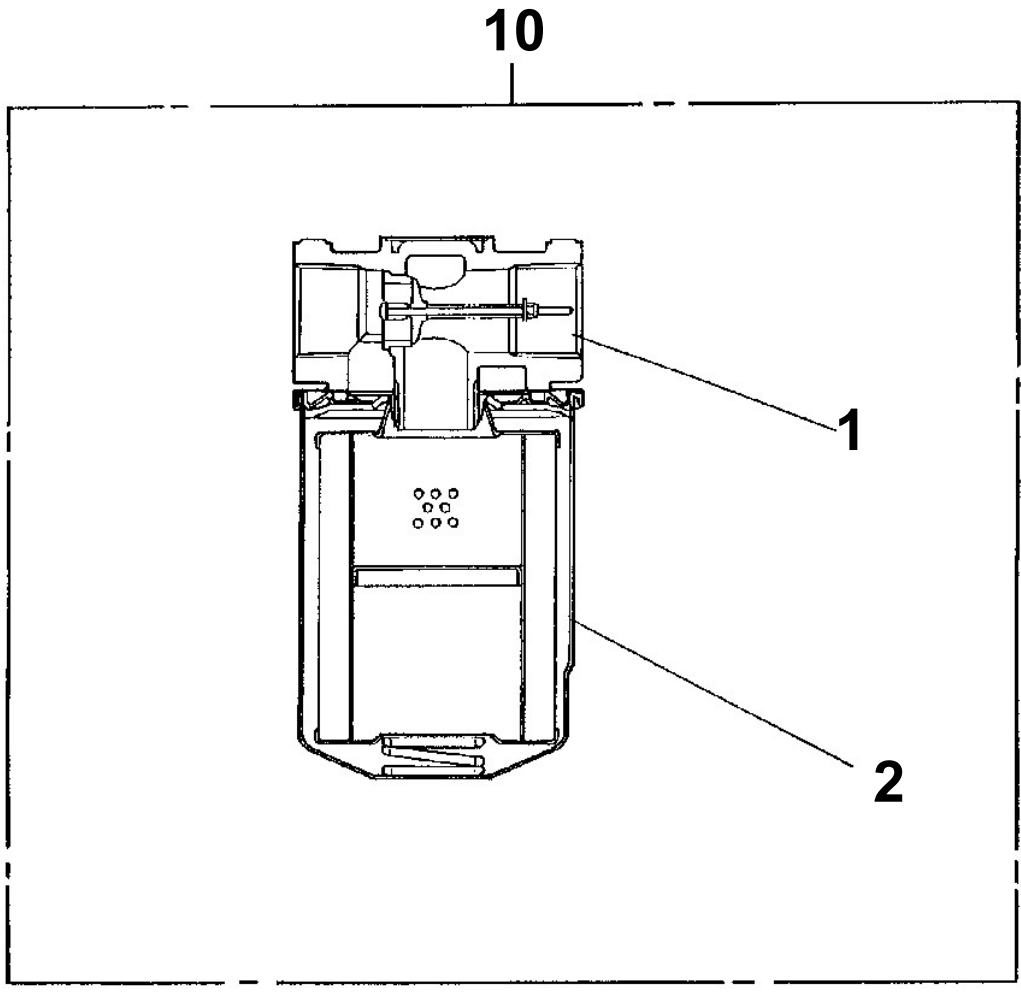


- Please note: If there is no response to CLICKING the link, please download this PDF first and then click on it.

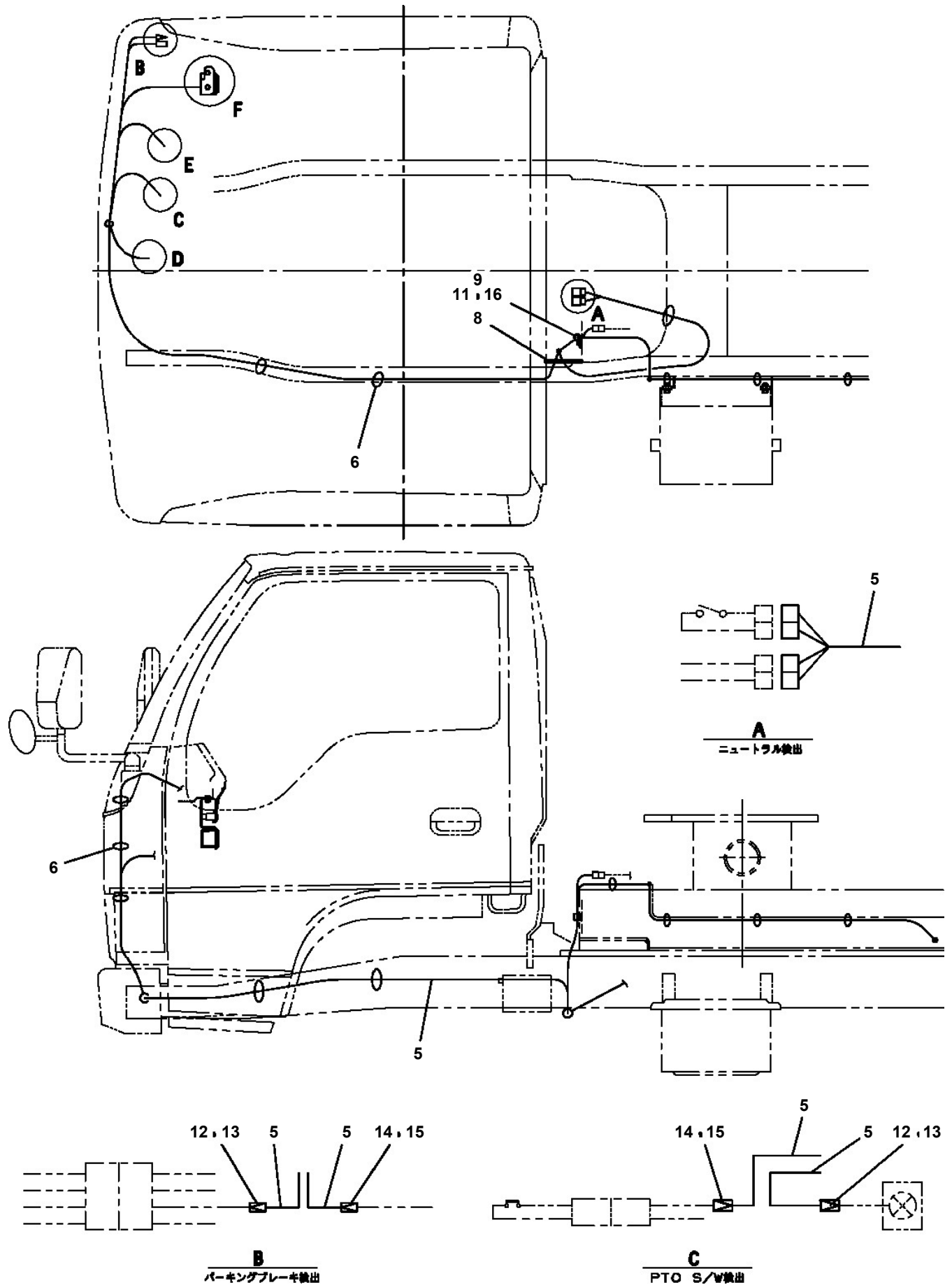
CLICK HERE TO **DOWNLOAD** THE COMPLETE MANUAL

AT-100-2 42063241300 LOWER, ISUZU KK-NKS71GAV-5EXY  
PI1300061-02 FILTER, OIL (YAMASHIN)

Assembly Name FILTER, OIL



AT-100-2 42063241300 LOWER,ISUZU KK-NKS71GAV-5EXY  
 PN1012453-00 ELEC.ASSY (CARRIER)



# AT-100-2 42063241300 LOWER,ISUZU KK-NKS71GAV-5EXY

Pos No.	Parts No	Parts Name	Qty	Unit	Technical Data	Serial No (Start)	Serial No (End)	Rema
2	36160017530	WASHER,SPRING	1				217455	
3	36160017540	WASHER,PLAIN	1				217455	
4	36160017520	DRUM ASSY	1				217455	
5	36160017550	HANDLE	1					
6	36160655020	SHAFT	1					
7	36160017560	WASHER,PLAIN	1					
8	36160017570	PLATE (RING)	1				217455	
9	36160017580	CORD ASSY (MAIN)	1				217455	
	36160017600	CORD ASSY	1			217456		
11	36160017590	PLATE (CONTACT)	1					
50	36160010000	REEL,CORD (FOR EARTHING)	1					

# AT-100-2 42063241300 LOWER,ISUZU KK-NKS71GAV-5EXY

Pos No.	Parts No	Parts Name	Qty	Unit	Technical Data	Serial No (Start)	Serial No (End)	Remarks	Pages
50	36652335010	GASKET	2						
51	36652335020	GASKET	2						
54	53063551010	SEAL,OIL	1						
55	80602110360	RING,RITAINING	1		R36				
100	36652840000	PUMP,OIL (32CC:L)	1						

# AT-100-2 42063241300 LOWER,ISUZU KK-NKS71GAV-5EXY

Pos No.	Parts No	Parts Name	Qty	Unit	Technical Data	Serial No (Start)	Serial No (End)	Remarks	Pages
1	42739340010	PLATE	1						
21	42393891100	PLATE (NON-SLIP)	2						

# AT-100-2 42063241300 LOWER,ISUZU KK-NKS71GAV-5EXY

Pos No.	Parts No	Parts Name	Qty	Unit	Technical Data	Serial No (Start)	Serial No (End)	Remarks	Pages
1	42737761000	BOX,TOOL	1						000058
2	90101208014	BOLT	4		M8X14				
3	90302040801	WASHER,SPRING	4		8				
4	37000547660	PLATE	2		T=2.3				
5	42737760010	PLATE	2						

# AT-100-2 42063241300 LOWER,ISUZU KK-NKS71GAV-5EXY

Pos No.	Parts No	Parts Name	Qty	Unit	Technical Data	Serial No (Start)	Serial No (End)	Remarks	Pages
1	37001601660	NUT	2		M14/B=41				
2	37000513890	PLATE	2		T=3.2	219697			

CLICK HERE TO **DOWNLOAD** THE COMPLETE MANUAL

- Thank you very much for reading the preview of the manual.
- You can download the complete manual from: [www.heydownloads.com](http://www.heydownloads.com) by clicking the link below



- Please note: If there is no response to CLICKING the link, please download this PDF first and then click on it.

CLICK HERE TO **DOWNLOAD** THE COMPLETE MANUAL