

AC-45-1-80107 SCISSORS,CRAWLER TYPE

PZ1000464-00 SYSTEM

ASSEMBLY

CLICK HERE TO **DOWNLOAD** THE COMPLETE MANUAL

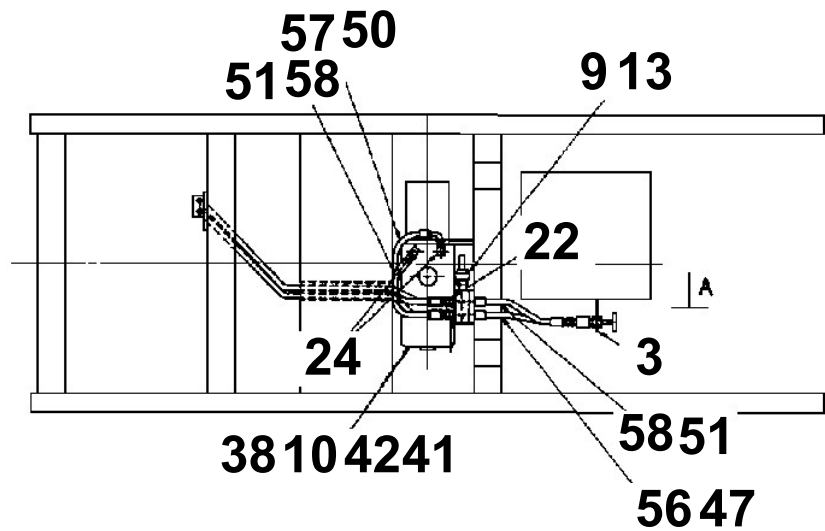
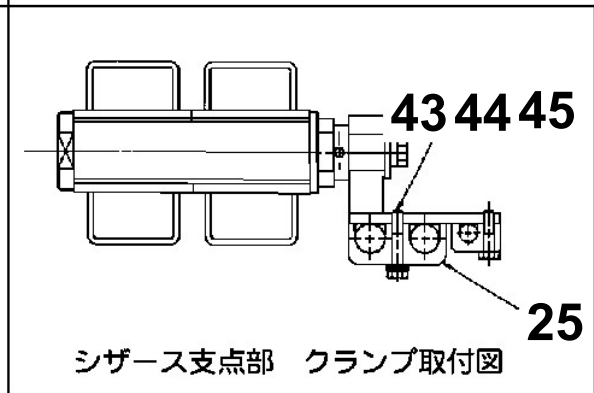
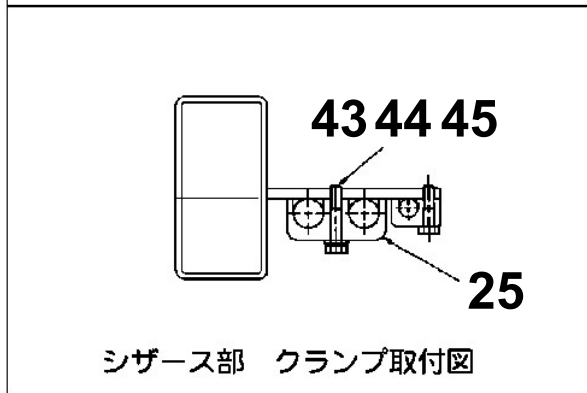
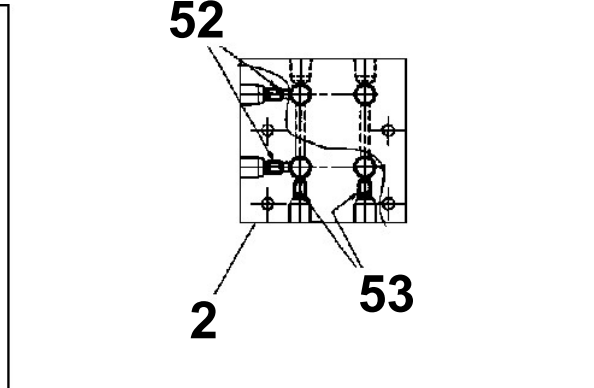
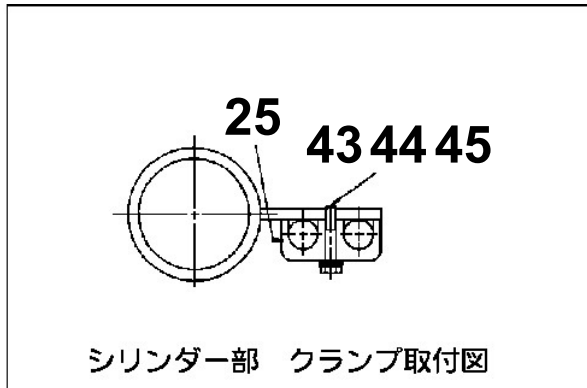
- Thank you very much for reading the preview of the manual.
- You can download the complete manual from: www.heydownloads.com by clicking the link below



- Please note: If there is no response to CLICKING the link, please download this PDF first and then click on it.

CLICK HERE TO **DOWNLOAD** THE COMPLETE MANUAL

AC-45-1-80107 SCISSORS,CRAWLER TYPE
PB1410870-00 PIPING,HYDRAULIC LOWER



AC-45-1-80107 SCISSORS,CRAWLER TYPE

Pos No.	Parts No	Parts Name	Qty	Unit	Technical Data	Serial No (Start)	Serial No (End)	Remarks
1	44550820020	PLATFORM	1					
2	44550820030	GUARD (1)	1					
3	44550700030	GUARD (2)	1					
4	44550400050	GUARD (3)	1					
6	44550400060	DOOR	1					
7	44550780010	BOX (FOR SWITCH BOX)	1					
8	44550780020	COVER (BOX)	1					
9	44550780030	COVER	1					
10	44550780040	COVER	2					
15	44550400090	KNOB	1					
16	44550407520	LOCK	1					
17	44550400090	KNOB	4					
18	44550400100	HINGE	2					
19	44550400110	HINGE	2					
21	90101208015	BOLT	4		M8X15			
22	80175304010	SCREW,MACHINE	6		M4X10			
23	90302040801	WASHER,SPRING	4		8			
24	80151106016	SCREW,MACHINE	2		M6X16			
25	90201200600	NUT	2		M6			
26	90302040601	WASHER,SPRING	2		6			
27	80151105010	SCREW,MACHINE	4		M5X10			
28	80151104010	SCREW,MACHINE	4		M4X10			
29	90303070501	WASHER,PLAIN	4		5			
30	90302040501	WASHER,SPRING	4		5			
31	90302040401	WASHER,SPRING	4		4			
41	44550407530	GUARD ASSY	1					

AC-45-1-80107 SCISSORS,CRAWLER TYPE

Pos No.	Parts No	Parts Name	Qty	Unit	Technical Data	Serial No (Start)	Serial No (End)	Remarks	Pages
3	82100001411	TUBE, SPIRAL	2	M	SE-08BK				

AC-45-1-80107 SCISSORS,CRAWLER TYPE

Pos No.	Parts No	Parts Name	Qty	Unit	Technical Data	Serial No (Start)	Serial No (End)	Rema
1	44550420320	RELAY	1					
2	44550420330	RELAY	3					
3	44550427570	VOLTMETER	1					
4	44550427580	HOLDER,FUSE	1					
5	44550427590	FUSE	2		3A			
6	44550427610	SWITCH (WITH KEY)	1					
7	44550427620	SWITCH,TOGGLE	1					
8	44550420340	FUSE	2		BF-80A			
9	44550420350	HOLDER,FUSE	1					
10	44550427630	RELAY	1					
11	44550427640	RELAY	3					
12	44550427650	TERMINAL,BASE	1					
13	44550427660	TERMINAL,BASE	1					
14	44550740220	BOARD,CIRCUIT	1					
15	44550420370	RETAINER (BOARD)	1					
16	44550740230	COVER (BOARD)	1					
19	44550747550	RAIL (TERMINAL BASE/L=340)	1					
27	44550427540	INSULATOR	4					
28	44550427550	NUT (WITH WASHER)	4		M8			
30	44550740250	PANEL	1					
31	44550421960	PACKING (RUBBER)	1					
35	44550420520	RELAY	5					
36	44550747560	TERMINAL	20					
37	44550747570	CAP (TERMINAL)	20					
38	44550740260	RELAY ASSY	1					
39	44550740280	BUZZER ASSY (RENZOKU)	1					
40	44550740290	BUZZER ASSY (DANZOKU)	1					
50	44550747600	RELAY	1					
51	44550747610	TIMER	1					
61	44550427600	FUSE	2		5A			
71	44550747580	FUSE	4		7A			
81	44550740240	PLATE ASSY	1					
91	44550427760	KEY	1					
101	44550747750	DIODE	4					
102	44550747760	DIODE (BARRISTER)	3					

CLICK HERE TO **DOWNLOAD** THE COMPLETE MANUAL

- Thank you very much for reading the preview of the manual.
- You can download the complete manual from: www.heydownloads.com by clicking the link below



- Please note: If there is no response to CLICKING the link, please download this PDF first and then click on it.

CLICK HERE TO **DOWNLOAD** THE COMPLETE MANUAL