

AW-370-1-80201 4 BOOM,WHEEL TYPE

PB1000377-03 HYDRAULIC PRESSURE GENERATING SYSTEM
PD1000354-01 SWING SYSTEM
PE1000354-03 ELEVATING SYSTEM
PG1000322-02 TELESCOPING SYSTEM
PH1000315-02 SAFETY DEVICES
PJ3000077-05 BASKET SYSTEM
PK1000363-03 FRAME
PL1000368-02 CONTROL DEVICES
PN1000549-00 ELECTRIC EQUIPMENT
PO1000144-01 INDICATION PLATES
PQ1000112-02 DRIVING POWER GENERATING SYSTEM
PR2000016-02 AXLE SYSTEM
PS1000088-01 STEERING SYSTEM
PW1000118-00 ACCESSORIES & TOOLS
PX1000392-05 MOUNTING PARTS
ASSEMBLY

CLICK HERE TO **DOWNLOAD** THE COMPLETE MANUAL

- Thank you very much for reading the preview of the manual.
- You can download the complete manual from: www.heydownloads.com by clicking the link below



- Please note: If there is no response to CLICKING the link, please download this PDF first and then click on it.

CLICK HERE TO **DOWNLOAD** THE COMPLETE MANUAL

AW-370-1-80201 4 BOOM,WHEEL TYPE

Pos No.	Parts No	Parts Name	Qty	Unit	Technical Data	Serial No (Start)	Serial No (End)
1	(*****)	FOOT SWITCH(FLOOR MADE OF STEEL NETTING)	1				
2	(*****)	TOUCH SWITCH	1				
3	44360360001	BOX,OPERATION (AML)	1			HE0040	
	44360360000	BOX,OPERATION (AML)	1				

AW-370-1-80201 4 BOOM,WHEEL TYPE

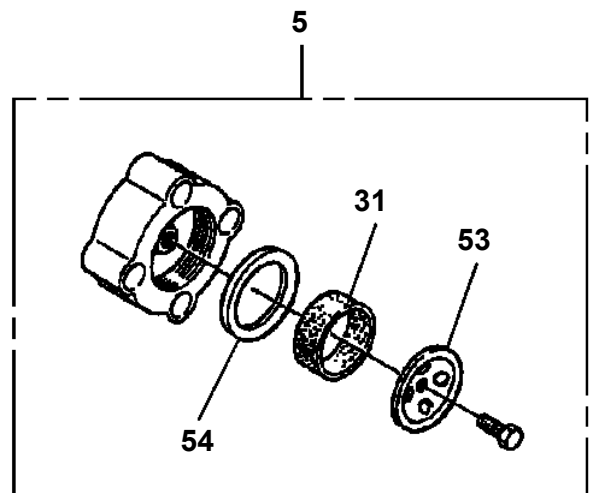
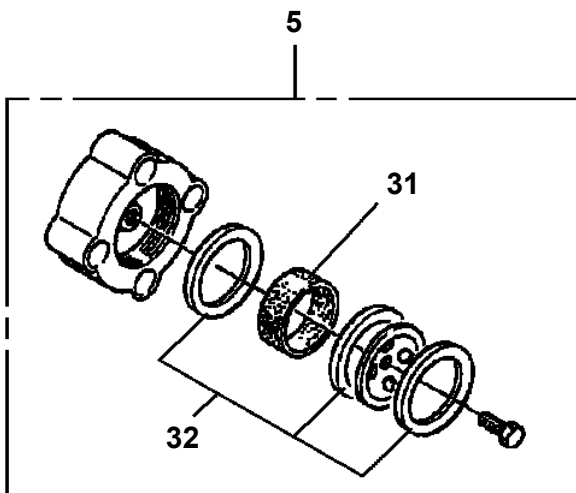
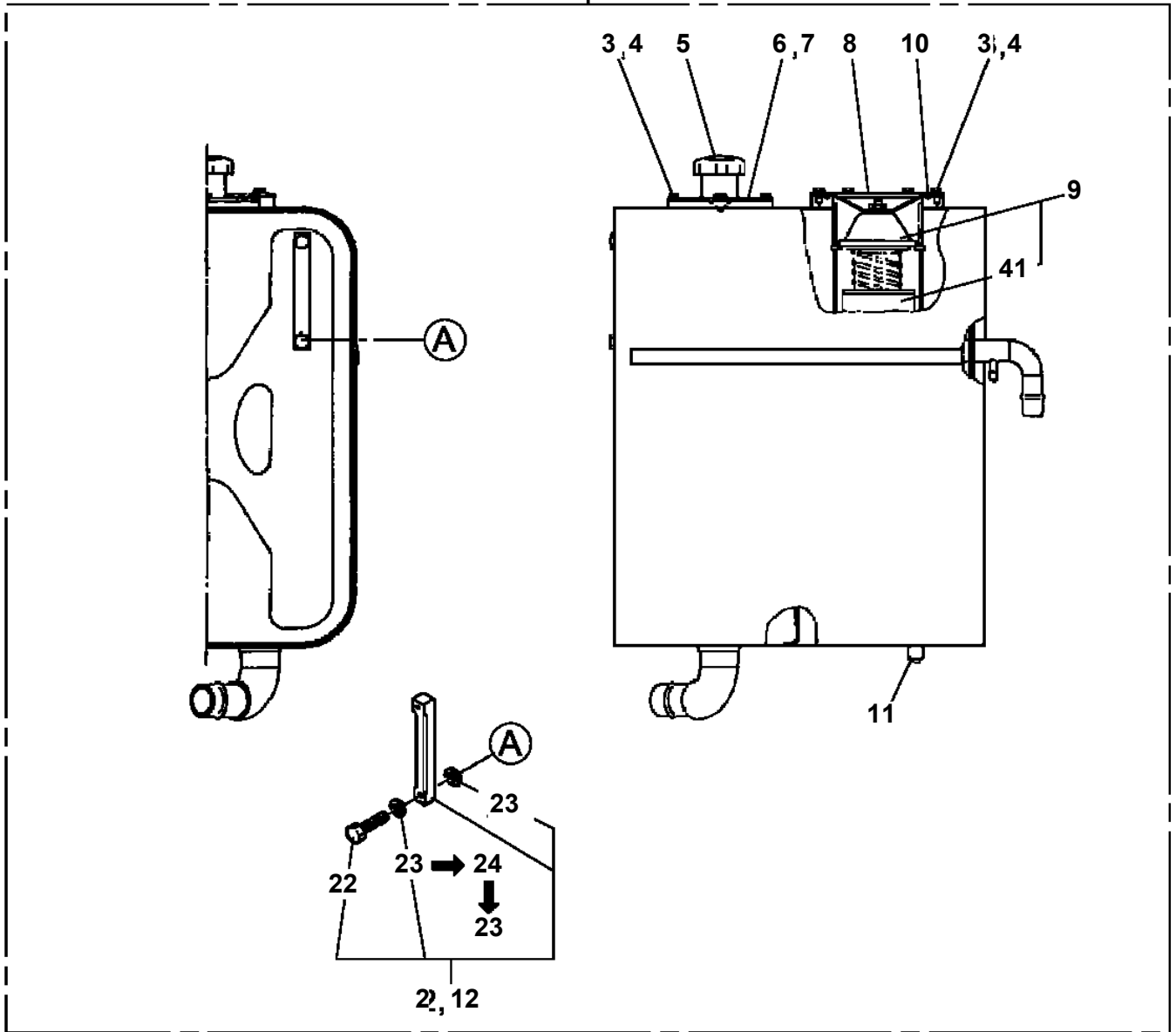
Pos No.	Parts No	Parts Name	Qty	Unit	Technical Data	Serial No (Start)	Serial No (End)	Remarks	Pages
1	(***** *****)	PLATE,INDICATION	1						000108

AW-370-1-80201 4 BOOM,WHEEL TYPE

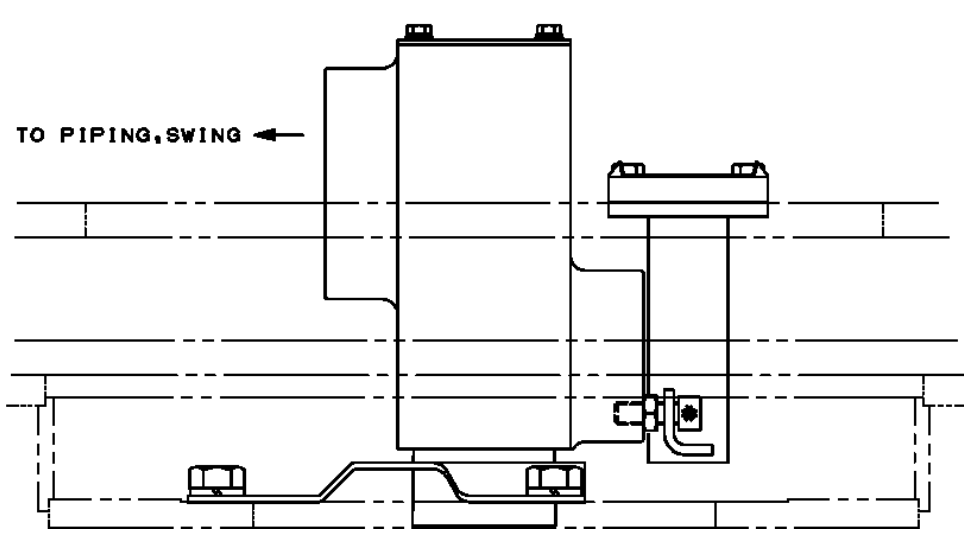
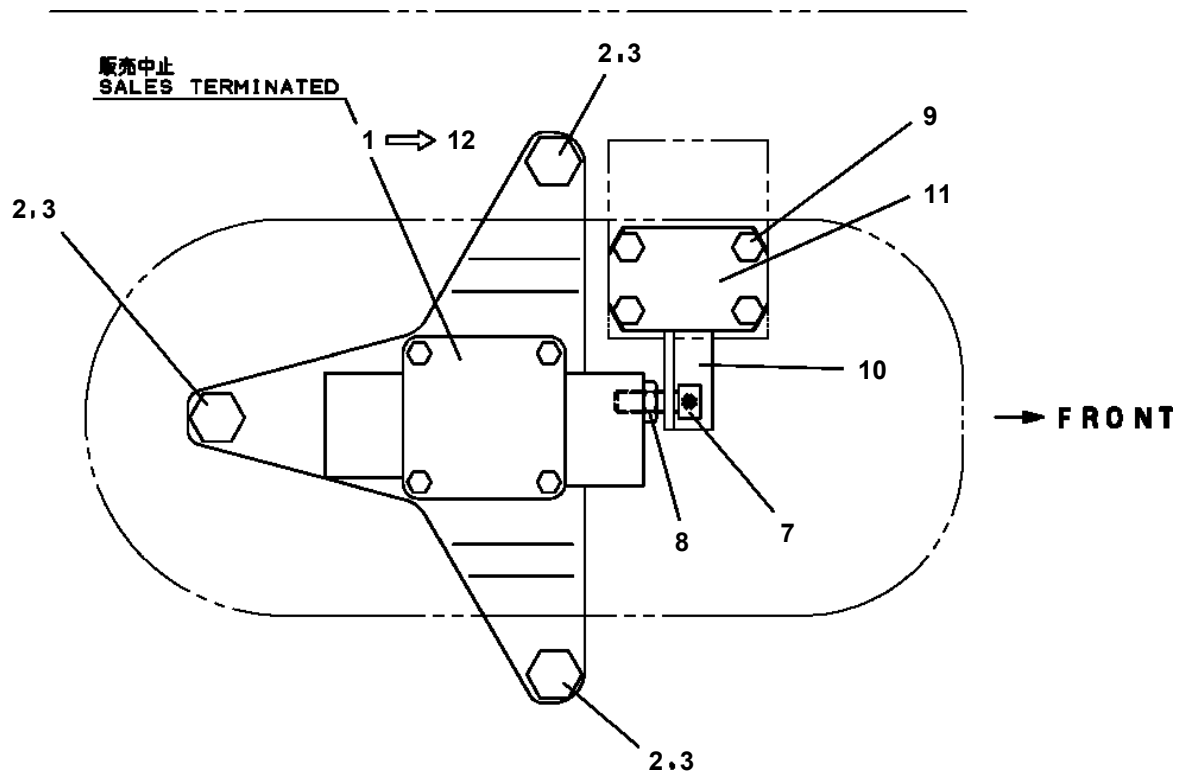
Pos No.	Parts No	Parts Name	Qty	Unit	Technical Data	Serial No (Start)	Serial No (End)	F
1	(*****)	TANK,OIL (MOUNT)	1					
2	(*****)	PUMP INSTALLATION (EMERGENCY)	1					
3	(*****)	COVER (BOOM SIDE)	1					
7	(*****)	WEIGHT INSTALLATION	1					
8	(*****)	TOOL BOX INSTALLATION	1					

AW-370-1-80201 4 BOOM, WHEEL TYPE
PB1130113-03 TANK, OIL

100

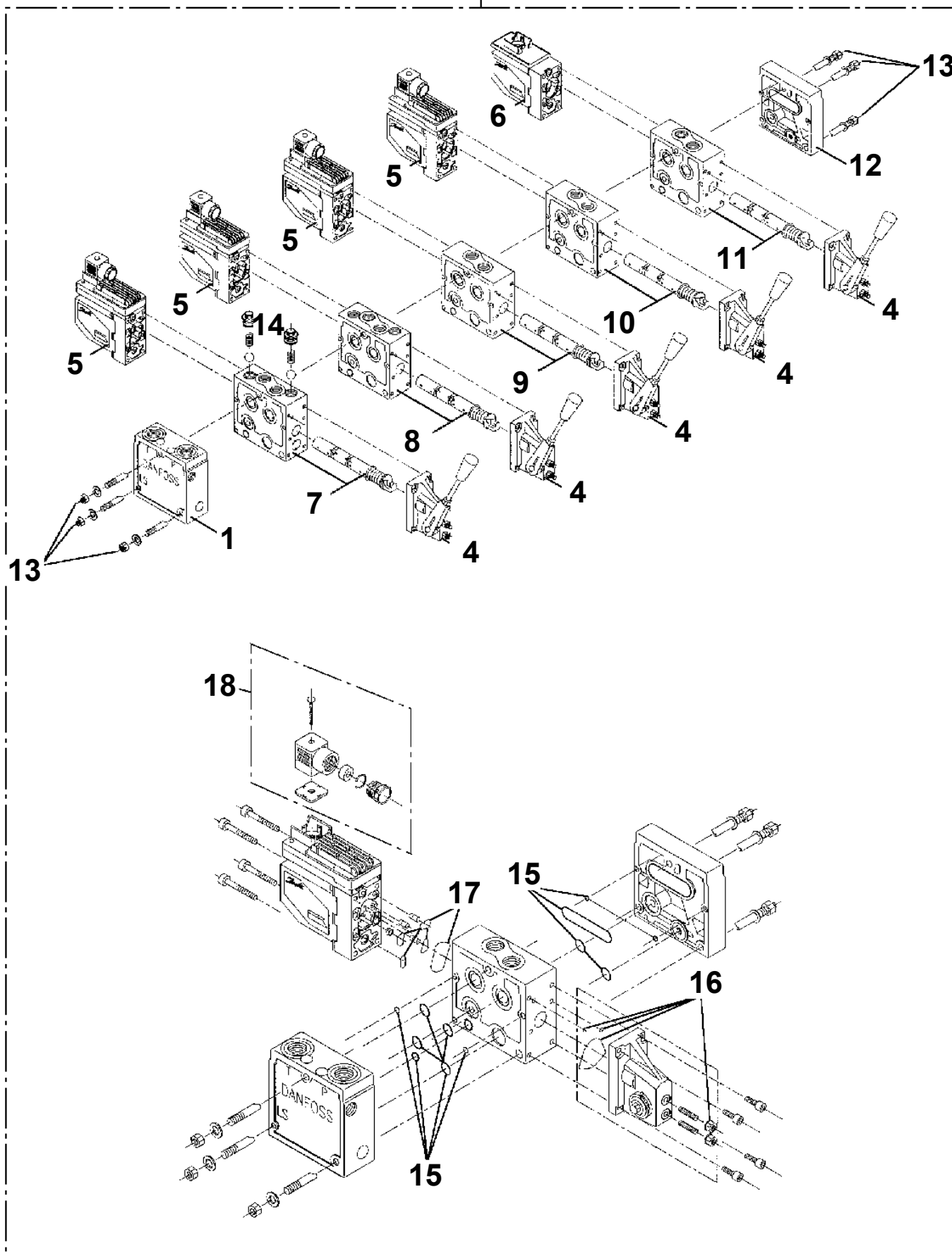


**AW-370-1-80201 4 BOOM, WHEEL TYPE
PB1300182-02 JOINT, ROTARY (MOUNT)**

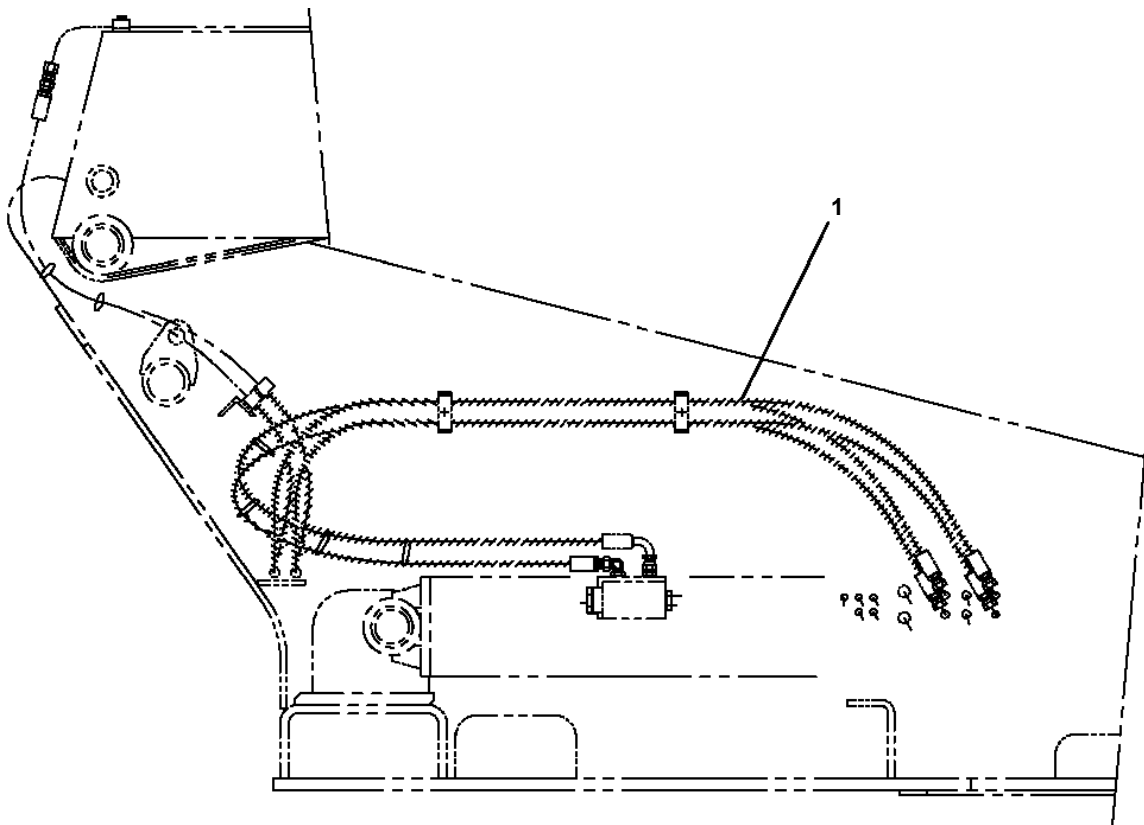


AW-370-1-80201 4 BOOM, WHEEL TYPE
PB1320487-00 VALVE, MANUAL CONTROL

100



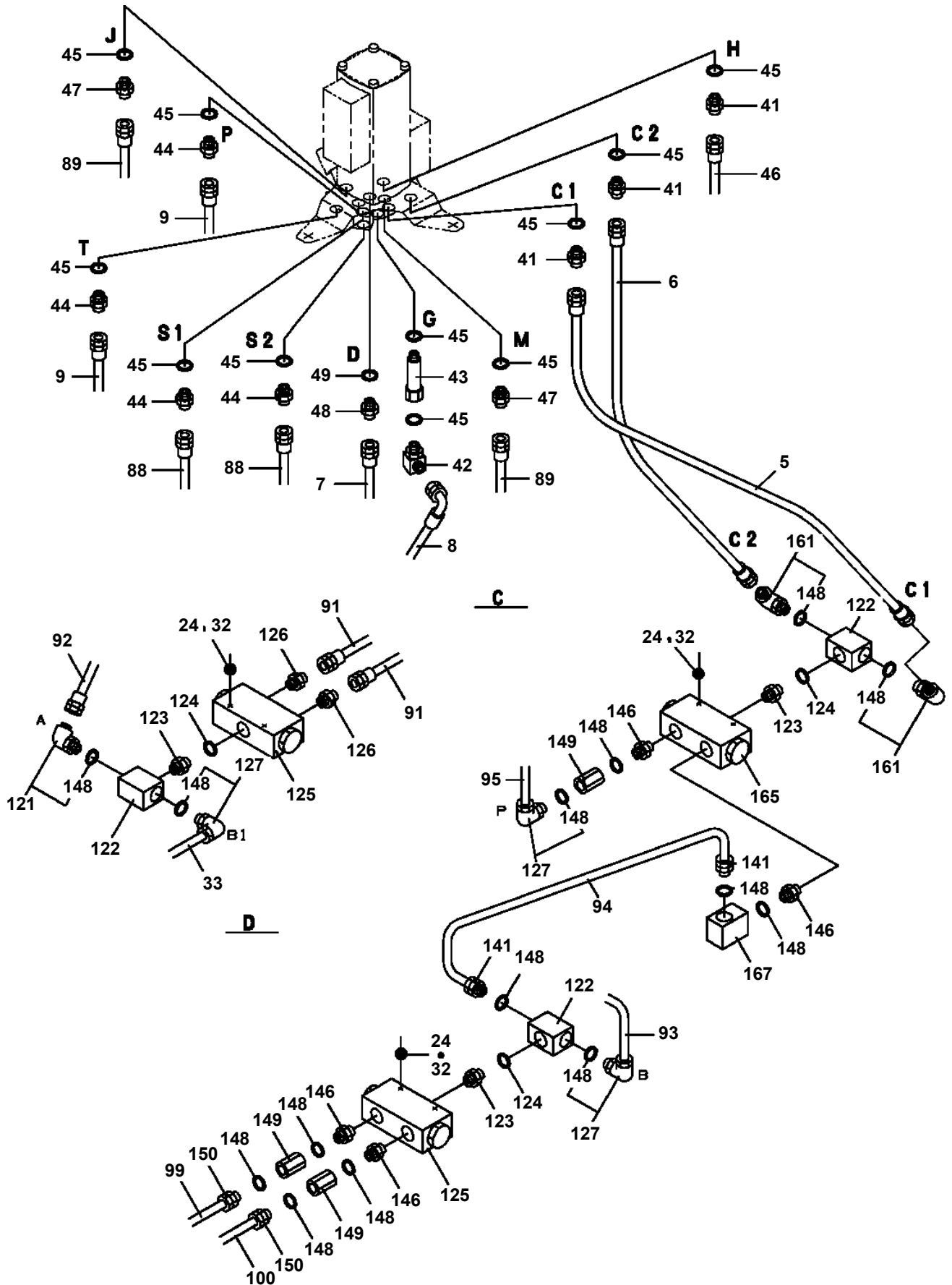
**AW-370-1-80201 4 BOOM,WHEEL TYPE
PB1400268-01 PIPING,UPPER (INSULATOR/EL.BASKET SWING)**



AW-370-1-80201 4 BOOM,WHEEL TYPE

Pos No.	Parts No	Parts Name	Qty	Unit	Technical Data	Serial No (Start)	Serial No (End)
1	80320030075	FITTING,ELBOW	3		KLE12-020N		
2	81408000160	PIPE,STEEL	2	M	12X1.4T		
5	90101208060	BOLT	4		M8X60		
6	90302040801	WASHER,SPRING	10		8		
8	90101508020	BOLT	5		M8X20		
9	81408000290	PIPE,STEEL	1	M	22X2.5T		
10	81408000160	PIPE,STEEL	1	M	12X1.4T		
11	44340563160	JOINT	1				
12	90101210020	BOLT	8		M10X20		
13	90302041001	WASHER,SPRING	12		10		
14	80320030100	FITTING,ELBOW	1				
15	81408000290	PIPE,STEEL	1	M	22X2.5T		
16	81408000160	PIPE,STEEL	1	M	12X1.4T		
18	80320030180	FITTING,ELBOW	2		KLE22-060N		
20	80320030140	FITTING,ELBOW	2		KLE18-040N		
21	81408000241	PIPE,STEEL	1	M	18X1.9T		
22	81408000241	PIPE,STEEL	1	M	18X1.9T		
23	81408000210	PIPE,STEEL	1	M	15X2.0T		
24	81408000210	PIPE,STEEL	1	M	15X2.0T		
25	81408000290	PIPE,STEEL	1	M	22X2.5T		
26	81408000290	PIPE,STEEL	1	M	22X2.5T		
27	81408000160	PIPE,STEEL	1	M	12X1.4T		
28	81408000160	PIPE,STEEL	1	M	12X1.4T		
29	81408000160	PIPE,STEEL	1	M	12X1.4T		
30	81408000160	PIPE,STEEL	1	M	12X1.4T		
32	37000705150	CLAMP ASSY	1				
33	81408000160	PIPE,STEEL	1	M	12X1.4T		
34	81408000160	PIPE,STEEL	1	M	12X1.4T		
35	90131506020	BOLT,HEXAGON SOCKET	2		M6X20		
36	90201200600	NUT	2		M6		
37	90302040601	WASHER,SPRING	2		6		
39	80305010100	FITTING,TEE	3		KTA12-000N		
40	36604380000	VALVE,RELIEF	2				
41	37000711530	CLAMP ASSY	1				
42	90101210120	BOLT	1		M10X120		
43	37000300780	SLEEVE	2		28-22		
44	37000713120	CLAMP ASSY	1		18X4		
45	37000300750	SLEEVE	2		18-15		
46	37000711510	CLAMP ASSY	1				
47	90101508080	BOLT	1		M8X80		
48	81408000160	PIPE,STEEL	1	M	12X1.4T		
49	81408000160	PIPE,STEEL	1	M	12X1.4T		
50	81408000160	PIPE,STEEL	1	M	12X1.4T		
51	80320030080	FITTING,ELBOW	6		KLE12-030N		
52	81408000160	PIPE,STEEL	1	M	12X1.4T		
53	81408000160	PIPE,STEEL	1	M	12X1.4T		
54	81408000160	PIPE,STEEL	1	M	12X1.4T		
55	81408000160	PIPE,STEEL	1	M	12X1.4T		
57	37000711600	CLAMP ASSY	1				
58	81408000160	PIPE,STEEL	1	M	12X1.4T		
59	37000913670	JOINT	2		T,PT3/8-PT3/8-PT3/8		
60	81408000160	PIPE,STEEL	1	M	12X1.4T		
61	44340913200	FRAME	1				
62	90101212025	BOLT	4		M12X25		
63	90302041201	WASHER,SPRING	4		12		
64	90303071201	WASHER,PLAIN	4		12		
65	80320030090	FITTING,ELBOW	1		KLE15-030N		
67	90101210025	BOLT	4		M10X25		
68	44340643010	SUPPORT	1				
69	90303070801	WASHER,PLAIN	3		8		
70	90101208025	BOLT	1		M8X25		
71	90201200800	NUT	1		M8		
72	80303010300	FITTING,ELBOW	1		KL22		

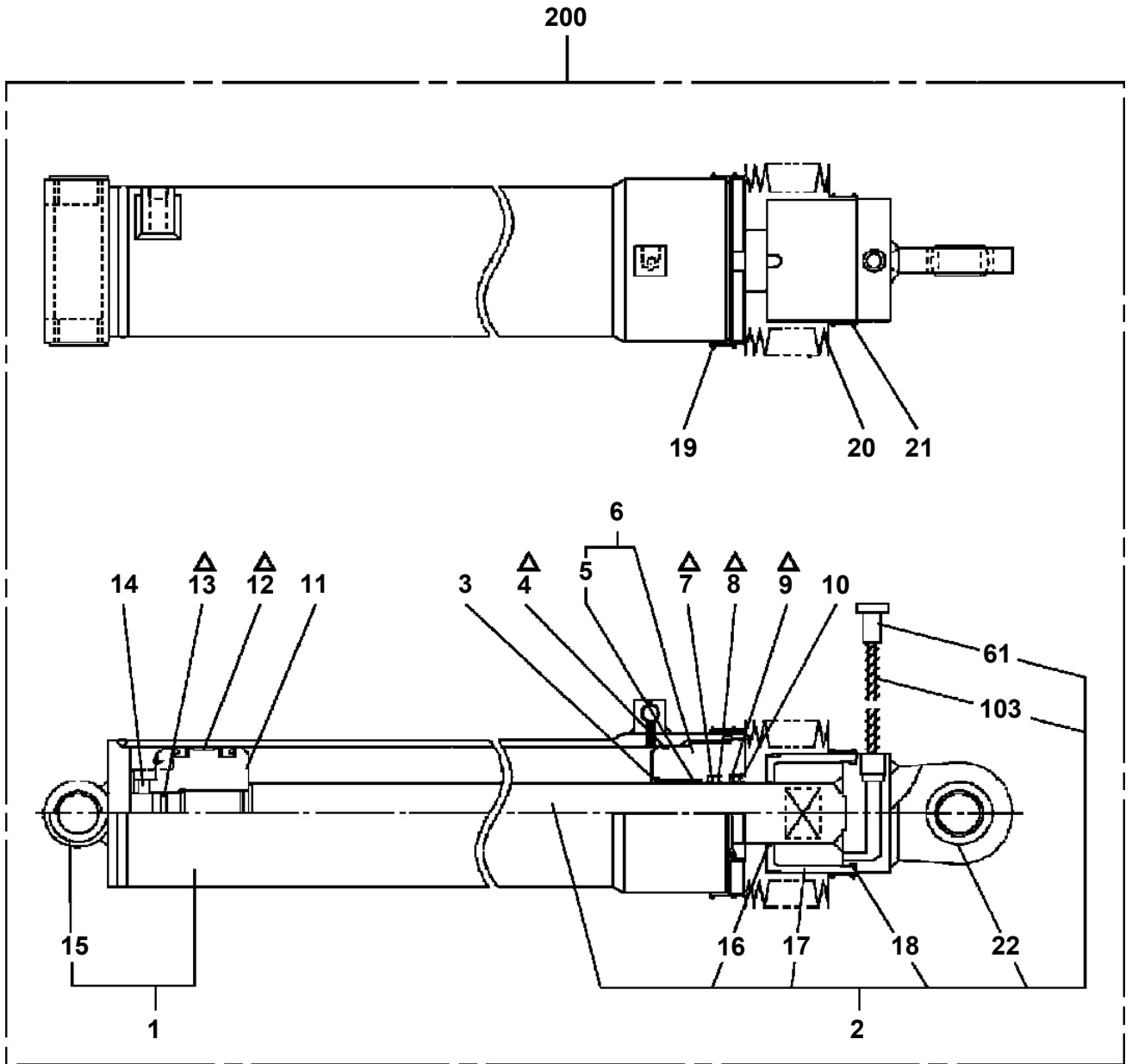
**AW-370-1-80201 4 BOOM, WHEEL TYPE
PB1411025-01 PIPING, LOWER (REAR)**



AW-370-1-80201 4 BOOM,WHEEL TYPE

Pos No.	Parts No	Parts Name	Qty	Unit	Technical Data	Serial No (Start)	Serial No (End)	Remarks
1	37002302880	BEARING,SWING	1					
2	37001505600	BOLT	7		M14X40			
3	90303501406	WASHER,PLAIN	7		14			
4	44300130100	PLATE	1					
5	36081290000	REDUCER,SWING SPEED	1					
6	90131512030	BOLT,HEXAGON SOCKET	4		M12X30			
7	36660020000	MOTOR,OIL	1					
8	51457005000	JOINT	2					
9	37002500180	HOSE	1		L=235			
10	37000535430	PLATE	1					
11	91803600160	CLIP	2		D=11-16			
12	82456201000	NIPPLE,GREASE	2		A-TYPE PT1/8			
13	44300130030	PLATE	2					
14	82100002010	CLAMP	1		WR15			
15	90302040601	WASHER,SPRING	1		6			
16	90201200600	NUT	1		M6			
17	90500000001	CAP	1					
19	90302041601	WASHER,SPRING	6		16			
20	31310610500	BREATHER,AIR	1					
21	91001208500	O-RING	1		1A G85			
22	44300130040	PLATE	2					
23	37001507340	BOLT	6		M16X40			

**AW-370-1-80201 4 BOOM,WHEEL TYPE
PE1050091-04 CYLINDER,LEVELING (LOWER)**



Δ : PACKING SET KEY NO.71 (4,7,8,9,12,13)

AW-370-1-80201 4 BOOM,WHEEL TYPE

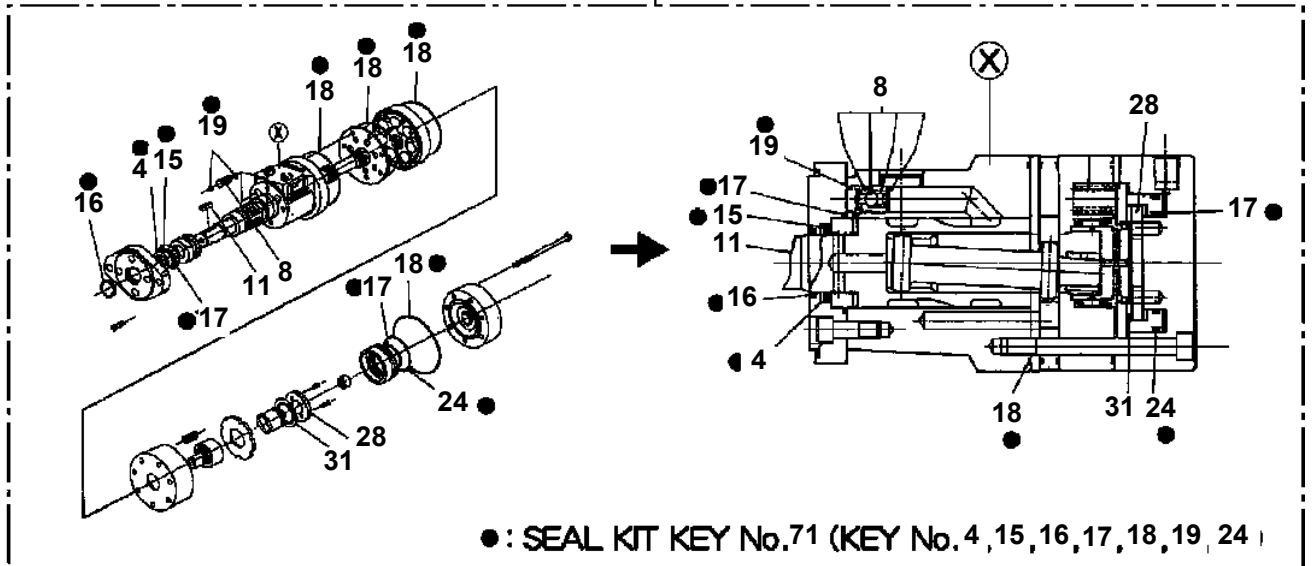
Pos No.	Parts No	Parts Name	Qty	Unit	Technical Data	Serial No (Start)	Serial No (End)	Remarks
120	44200345500	RETAINER	1					
121	37000155100	PIN	4					
122	37000127870	PIN	4					
123	90180010015	BOLT,BUTTON	2		M10X15			
124	44200340050	COVER	4					
125	80175804008	SCREW,MACHINE	8		M4X8			
126	44200340060	COVER	4					
127	91810130240	FASTENER	4					
128	80182306010	SCREW,MACHINE	8		M6X10			
129	44200340070	PLATE	2					
130	90101210016	BOLT	48		M10X16			
131	90171110014	BOLT	8		M10X14			
132	90171110018	BOLT	20		M10X18			
133	82121800010	PLUG (OTUKA)	4					
137	31323130700	PLATE	2			HE0044		
138	37000573430	PLATE	2		T=1	HE0044		
139	90319342501	SPRING (25)	8			HE0044		
140	44200340080	SPACER	2			HE0044		
141	44200340090	SPACER	2			HE0044		
142	90303501805	WASHER,PLAIN	8		18	HE0044		
143	90319341801	SPRING (18)	48			HE0044		
144	90303502701	WASHER,PLAIN <27)	4			HE0044		
145	90319342801	SPRING (28)	12			HE0044		
146	44200340450	PLATE,SLIDE	4			HE0044		
147	44200340460	SHIM	32		T=0.5	HE0044		
148	80184306020	SCREW,MACHINE	12		M16X20	HE0044		
202	80602110900	RING,RITAINING	4		R90			
203	80513006308	BEARING,BALL	4					
211	44200340110	SUPPORT	1					
212	37002004380	PLATE,SLIDE	3					
213	80182306010	SCREW,MACHINE	3		M6X10			
222	80513006208	BEARING,BALL	2					
231	44200345860	SUPPORT	1			HE0041		
	44200340610	SUPPORT	1				HE0040	
232	37000170370	PIN	1					
233	90303100801	WASHER,PLAIN	28		8	HE0041		
	90303100801	WASHER,PLAIN	16		8		HE0040	
234	42200590050	ROLLER	8				HE0040	
	44340392420	ROLLER	7			HE0041		
241	37002005260	PLATE,SLIDE	8					
242	80184306010	SCREW,MACHINE	12		M6X10			
243	42200484100	PLATE	N		T=0.8			
244	44200320610	RETAINER	4					
252	37000170270	PIN	1					
253	44200290660	SUPPORT	2					
264	44200345010	RETAINER	4					
271	44200018170	SHEAVE ASSY	2					
274	44200011010	PLATE	2					
275	44200340710	PIN	2					
276	90171110025	BOLT	8		M10X25	HE0261		
	90101510025	BOLT	8		M10X25		HE0260	
277	90302041001	WASHER,SPRING	12		10			
278	90101510070	BOLT	4		M10X70		HE0260	
	90171110070	BOLT	4		M10X70	HE0261		
291	37002002060	PLATE,SLIDE	4					
293	42200021010	PLATE	N		T=0.8			
294	42200610810	RETAINER	4					
302	80612111100	RING,RETAINING	2					
303	80513006212	BEARING,BALL	2					
312	80602110850	RING,RITAINING	2		R85			
313	80520314912	BEARING,ROLLER	2					
323	37002000290	PLATE,SLIDE	10		100X30			
324	37002000690	PLATE,SLIDE	2		50X30			

AW-370-1-80201 4 BOOM,WHEEL TYPE

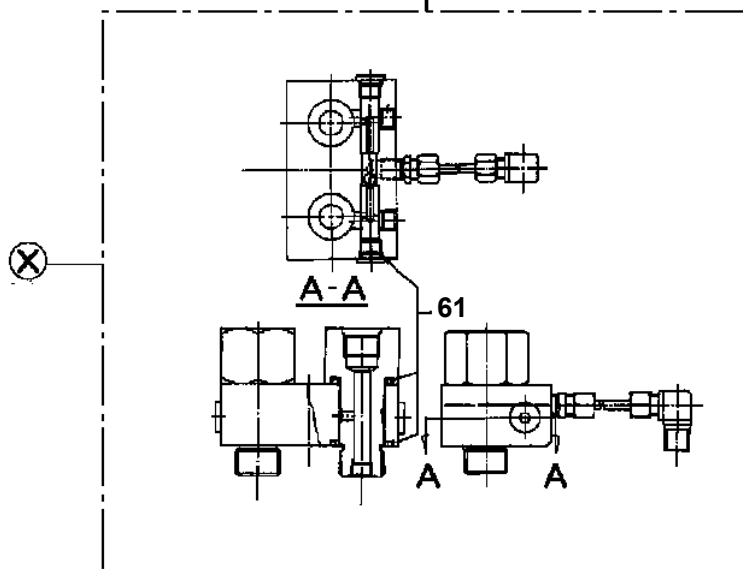
Pos No.	Parts No	Parts Name	Qty	Unit	Technical Data	Serial No (Start)	Serial No (End)	Remarks
1	44270781600	COVER	1					
2	44270781700	COVER	1					
3	44270820500	COVER	1					
4	44270780600	COVER	1					
5	44270820700	COVER	1					
6	44270780801	COVER	1					
7	44270780900	COVER	1					
8	90101208012	BOLT	61		M8X12			
9	90302040801	WASHER,SPRING	N		8			
10	90303070801	WASHER,PLAIN	57		8		HE0043	
	90303070801	WASHER,PLAIN	55		8	HE0106		
	90303070801	WASHER,PLAIN	59		8	HE0044	HE0105	
11	91803600550	CLIP	1		D=40-55			
12	44270371400	COVER	1					
13	90201200800	NUT	3		M8			
14	44270780250	SUPPORT	1					
15	44270780190	BLADE	1					
16	44270781400	SUPPORT	1					
17	44270781060	PLATE	1					
18	44270781070	BLADE	1					
19	44270780090	PLATE	1					
20	44270781010	BLADE	1					
21	90101206016	BOLT	14		M6X16			
22	90302040601	WASHER,SPRING	16		6			
23	90303070601	WASHER,PLAIN	16		6			
24	44270781100	COVER	1					
25	44270781300	SUPPORT	1					
26	44270781200	COVER	1					
27	44270440300	PLATE	1					
28	90101206020	BOLT	2		M6X20			
29	90201200600	NUT	2		M6			
30	90101208016	BOLT	48		M8X16	HE0044		
	90101208016	BOLT	46		M8X16		HE0043	
31	44270780020	SUPPORT	1					
32	44270780010	SUPPORT	1					
33	44270780230	SUPPORT	2					
34	90813108012	BOLT,WING	6		M8X12 A			
35	90302040501	WASHER,SPRING	42		5			
36	44270780220	BLADE	2					
37	44270780150	PLATE	1					
38	44270780180	BLADE	1					
39	44270780100	SUPPORT	1					
40	44270780200	SUPPORT	1					
41	44270783020	SUPPORT	2					
42	44270783010	BLADE	2					
43	44270780170	PLATE	1					
44	44270780160	BLADE	1					
45	44270780040	SUPPORT	1					
46	44270780030	SUPPORT	1					
47	44270781020	PLATE	2					
48	44270781030	BLADE	2					
49	44270781040	PLATE	1					
50	44270781050	BLADE	1					
51	44270780240	PLATE	1					
52	90303070501	WASHER,PLAIN	42		5			
53	44270821500	PLATE	2					
54	44270783030	PLATE	2					
55	44270821700	PLATE	2					
56	44270821800	PLATE	2					
57	44270821000	COVER ASSY	1					
58	80172805014	SCREW,MACHINE	42		M5X14			
59	44270780280	PLATE	1					
60	44270780260	BLADE	1					

**AW-370-1-80201 4 BOOM, WHEEL TYPE
PI1010097-03 MOTOR, HYDRAULIC**

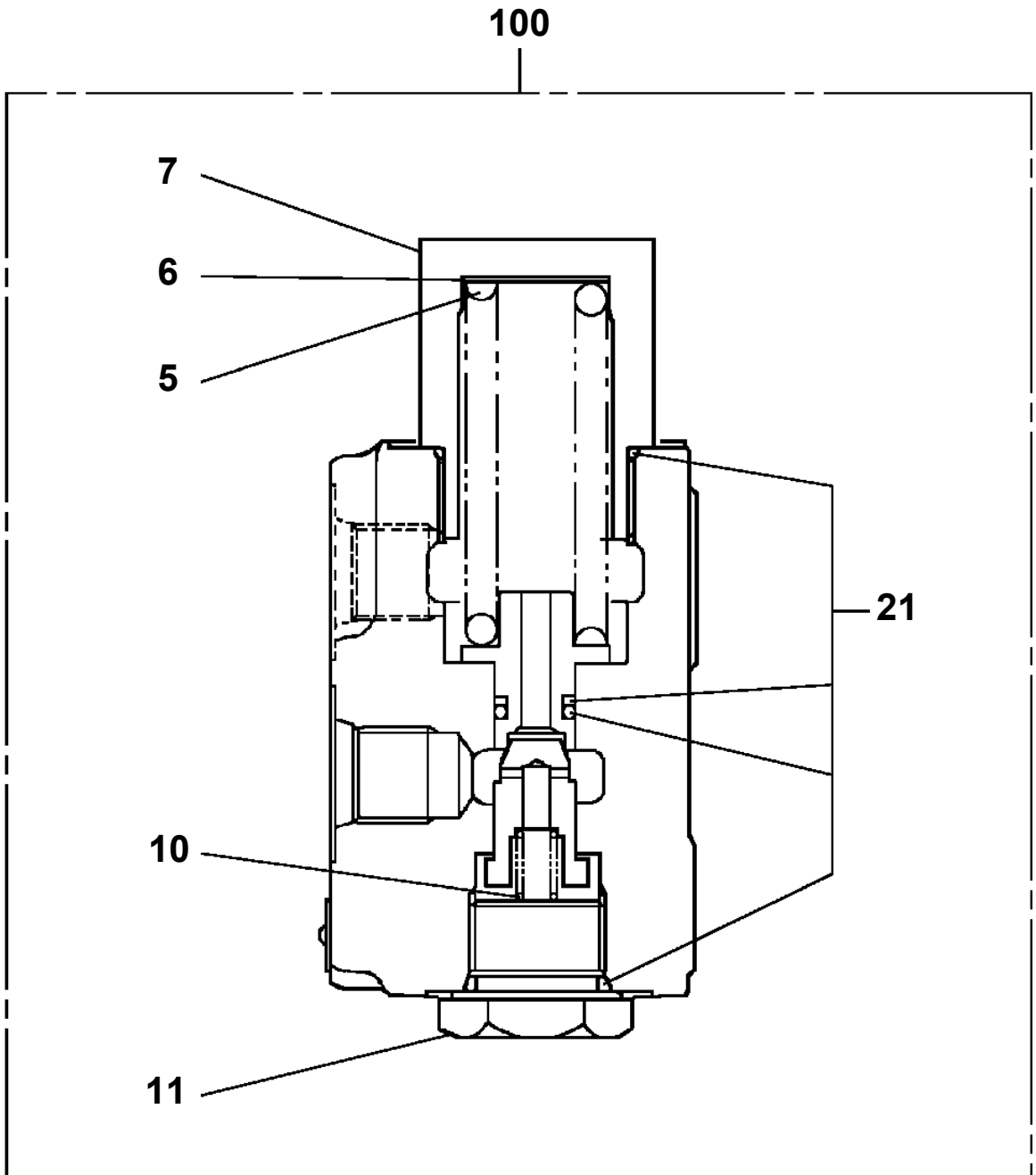
100



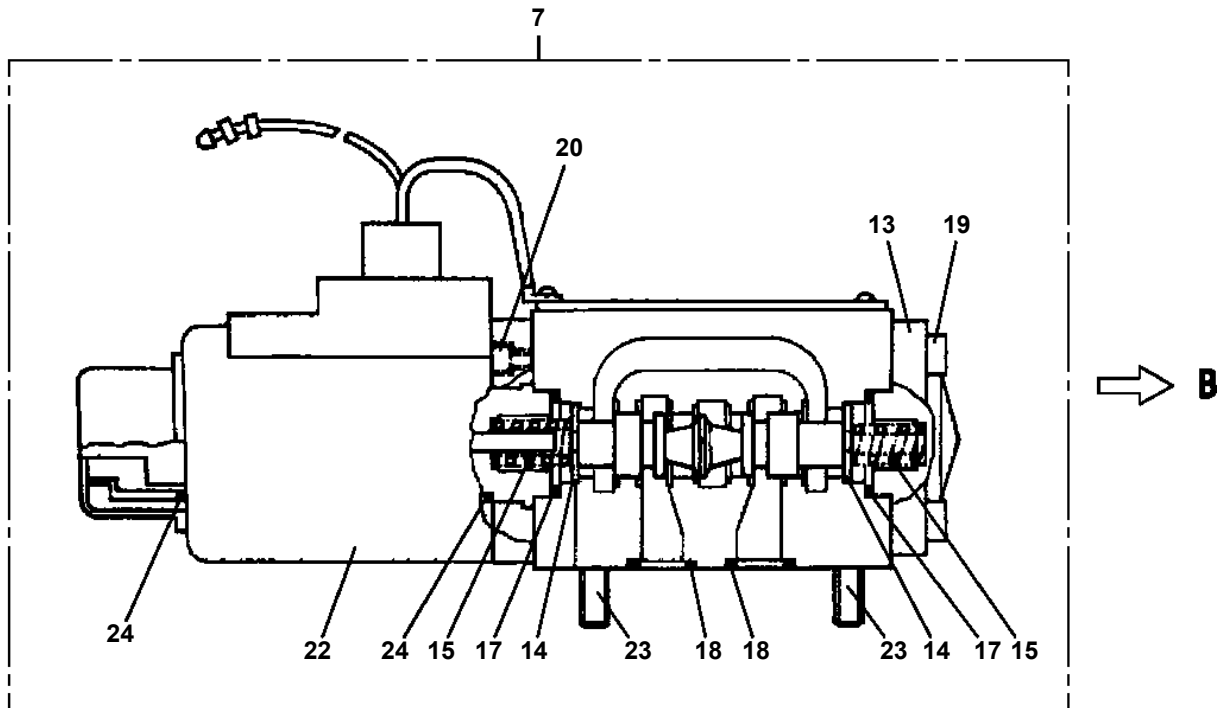
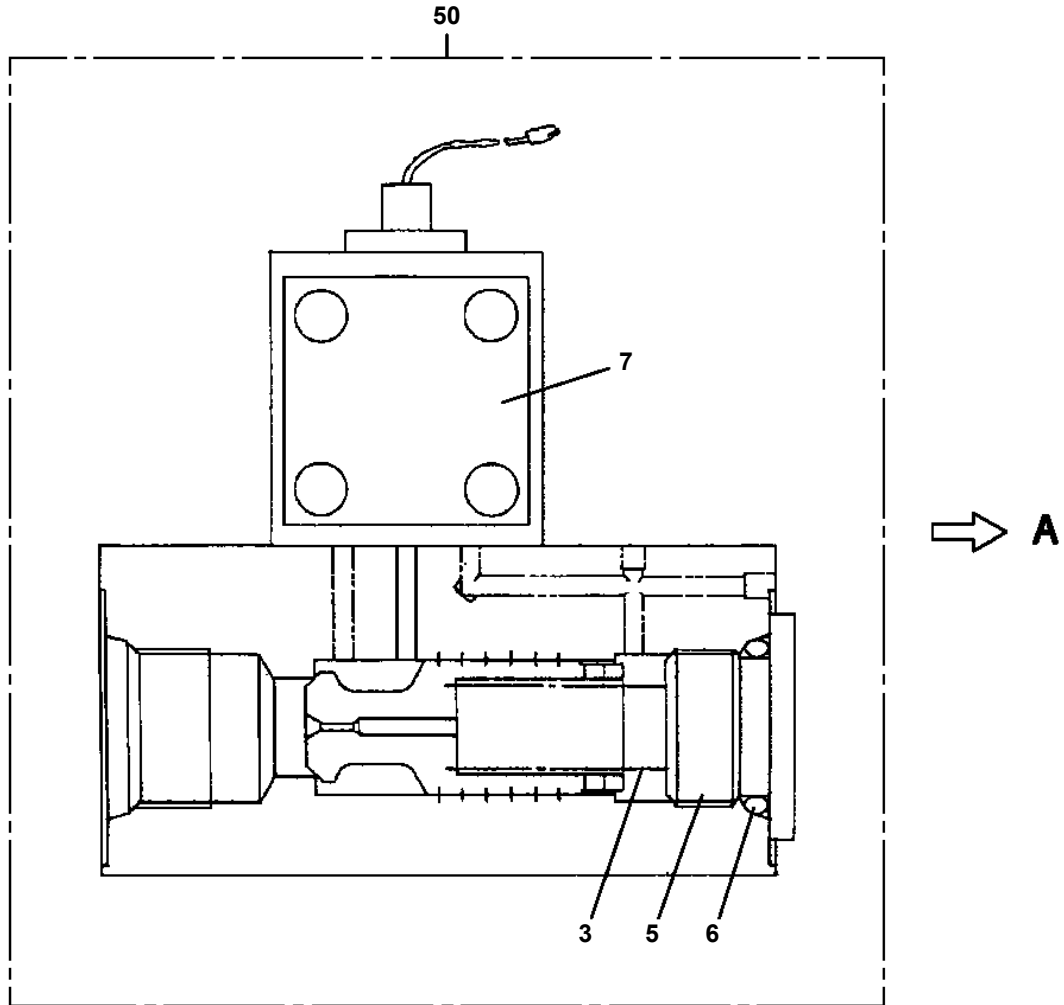
50



**AW-370-1-80201 4 BOOM,WHEEL TYPE
PI1100122-00 VALVE,RELIEF**



**AW-370-1-80201 4 BOOM,WHEEL TYPE
PI1120353-00 VALVE,SOLENOID**



CLICK HERE TO **DOWNLOAD** THE COMPLETE MANUAL

- Thank you very much for reading the preview of the manual.
- You can download the complete manual from: www.heydownloads.com by clicking the link below



- Please note: If there is no response to CLICKING the link, please download this PDF first and then click on it.

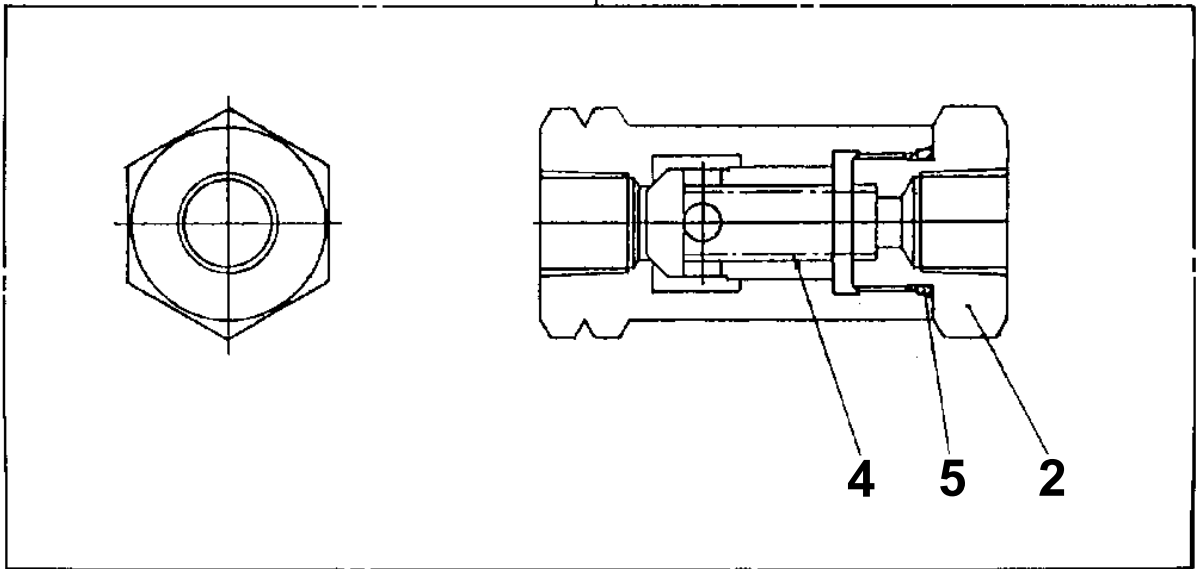
CLICK HERE TO **DOWNLOAD** THE COMPLETE MANUAL

AW-370-1-80201 4 BOOM,WHEEL TYPE
PI1140068-00 VALVE,CHECK

Assembly name VALVE, CHECK

1114-0000-00

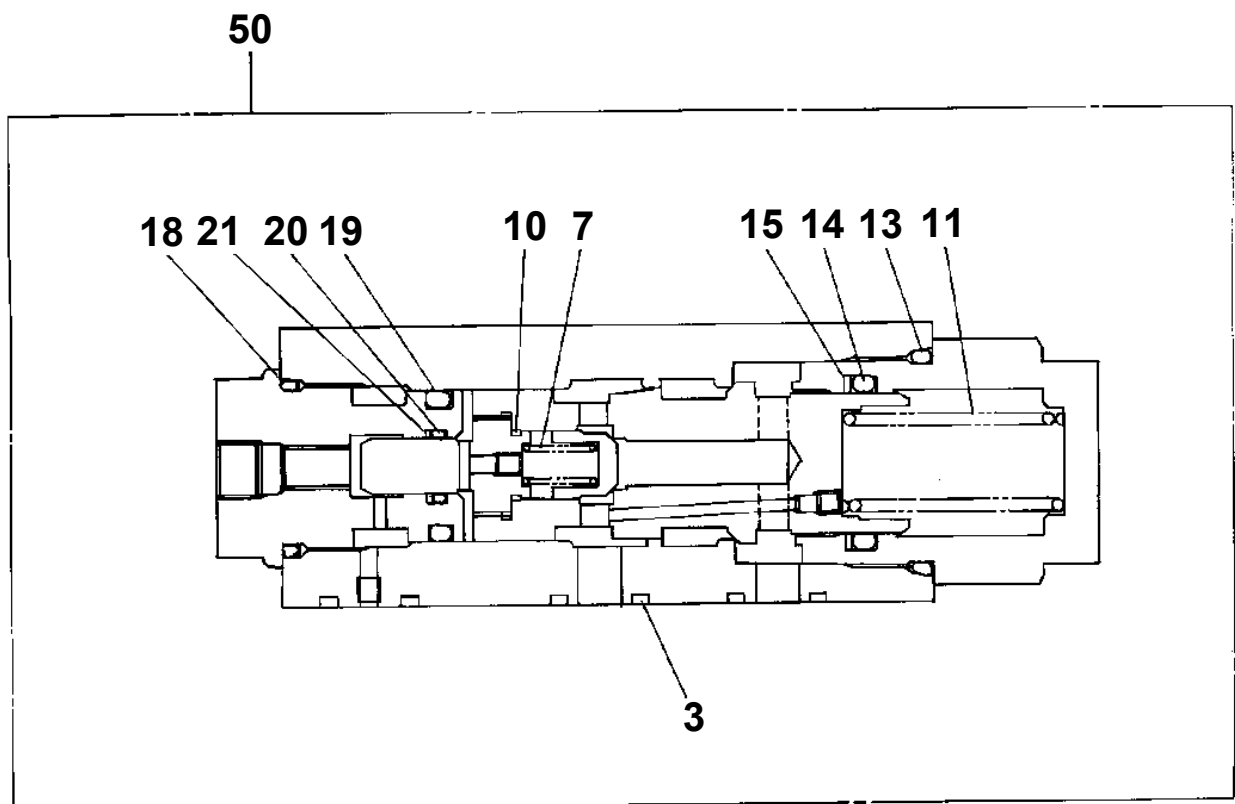
10



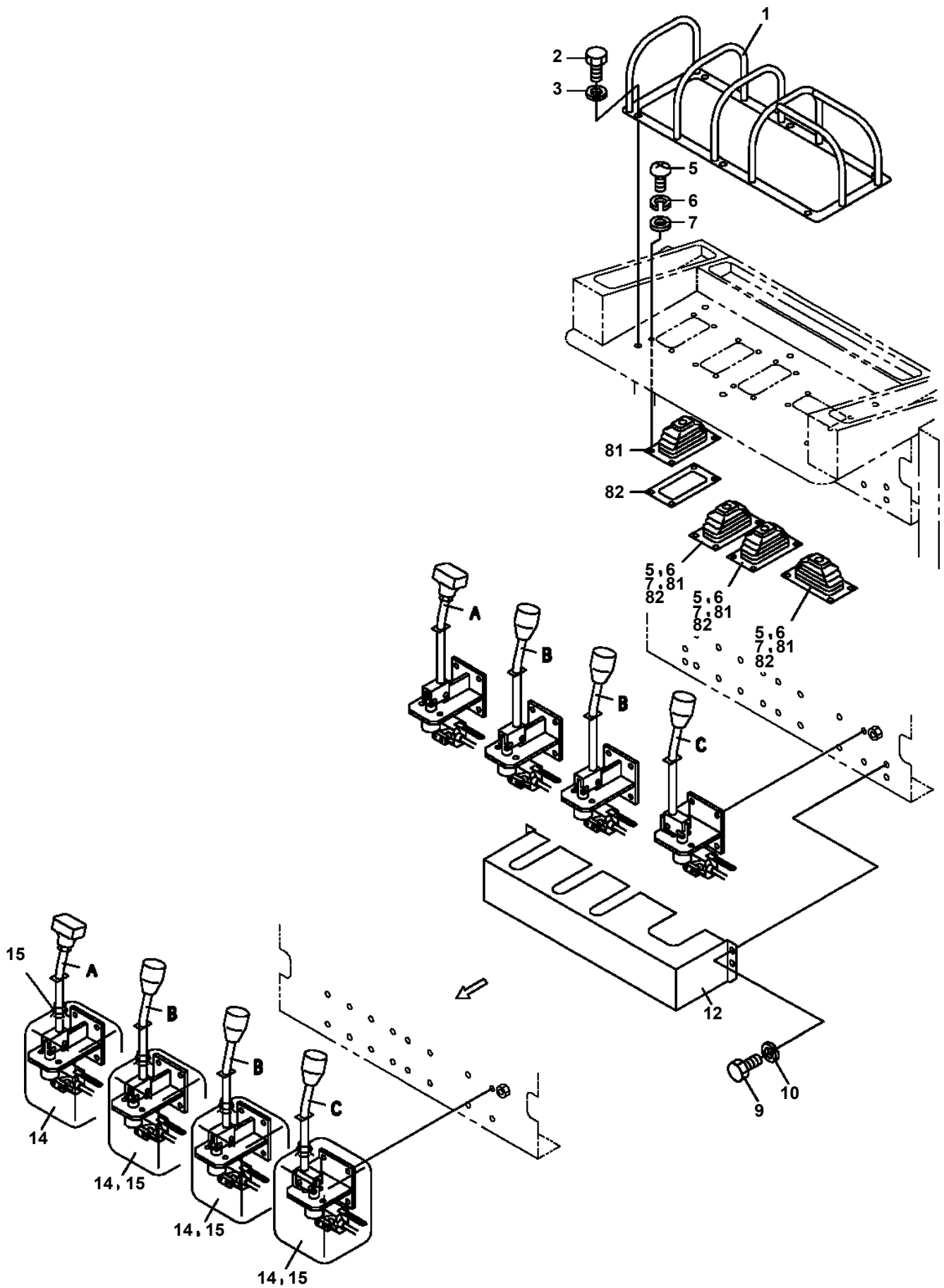
**AW-370-1-80201 4 BOOM,WHEEL TYPE
PI1250063-00 VALVE,COUNTERBALANCE**

Assembly Name VALVE, COUNTERBALANCE

PI125-0063-00



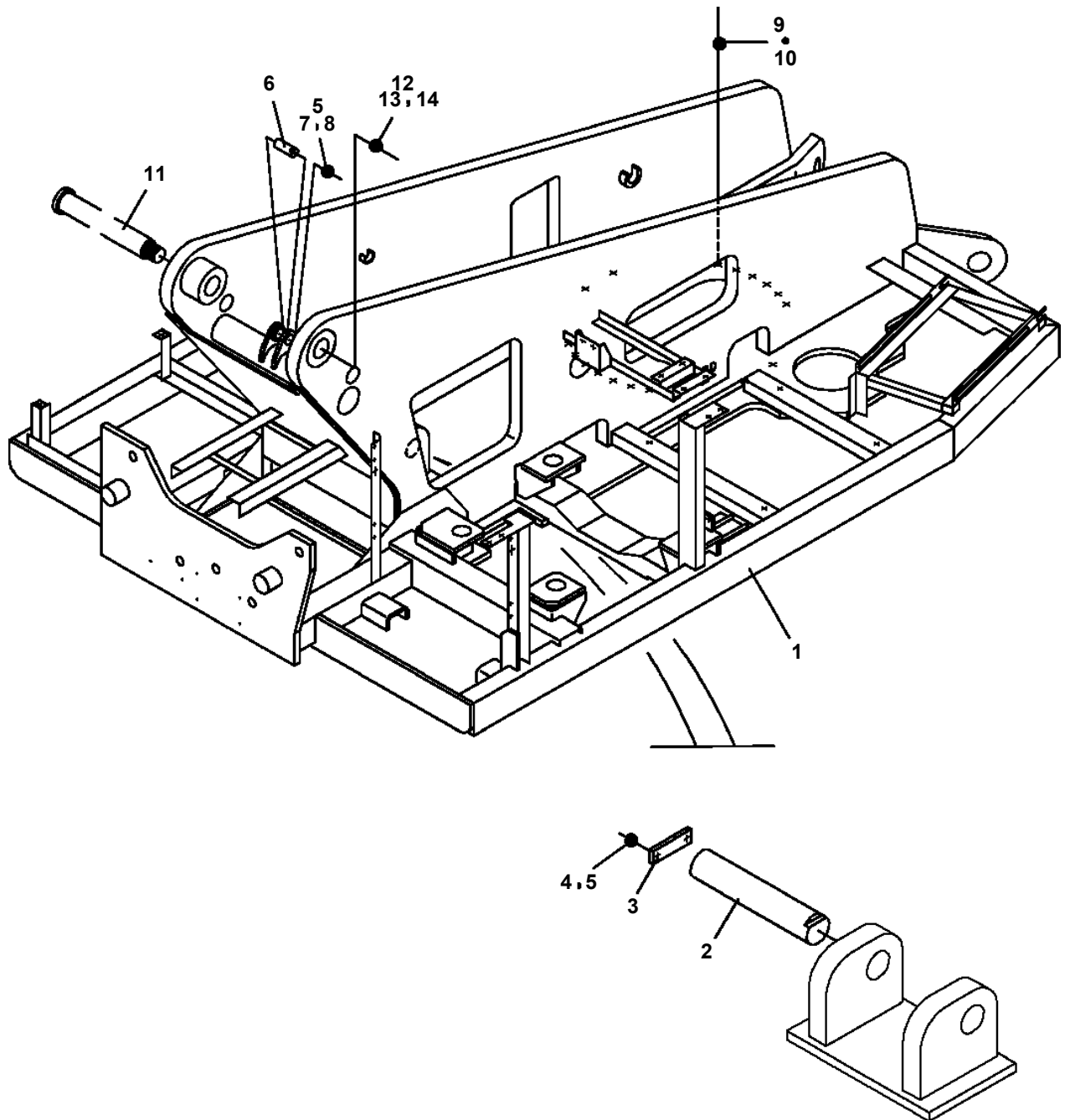
AW-370-1-80201 4 BOOM, WHEEL TYPE PJ3040001-00 OPERATION SYSTEM



AW-370-1-80201 4 BOOM,WHEEL TYPE

Pos No.	Parts No	Parts Name	Qty	Unit	Technical Data	Serial No (Start)	Serial No (End)	Remarks	Page
1	44340932100	GUIDE ASSY	1						
4	80320020080	FITTING	4		KUF12-030N				
5	37000711080	CLAMP ASSY	12		12-2				
6	81408000160	PIPE,STEEL	5	M	12X1.4T				
7	81408000160	PIPE,STEEL	5	M	12X1.4T				
8	81408000160	PIPE,STEEL	5	M	12X1.4T				
9	81408000160	PIPE,STEEL	5	M	12X1.4T				
10	80305010100	FITTING,TEE	2		KTA12-000N				
11	81408000160	PIPE,STEEL	2	M	12X1.4T				
12	81408000160	PIPE,STEEL	2	M	12X1.4T				
13	81408000160	PIPE,STEEL	2	M	12X1.4T				
14	81408000160	PIPE,STEEL	1	M	12X1.4T				
15	82100001412	TUBE,SPIRAL	3	M	SE-12BK				
16	44340932510	CABLE CONVEYER	1						
17	80301010100	FITTING	13		KUA12-000N				
18	37000907680	JOINT	2		S,G3/8-R1/4				
19	37002453931	HOSE	1		L=1470 TO 1410				
20	37002443100	HOSE	1		L=1000				
21	37000714040	CLAMP ASSY	1		18X2				
22	37000300750	SLEEVE	8		18-15				
23	44340932660	PLATE	4						
24	90101508014	BOLT	28		M8X14				
25	90302040801	WASHER,SPRING	27		8				
26	37001109120	ROLLER	2						
27	37000170510	PIN	2						
28	80136340020	PIN,SPLIT	4		4X20				
29	37000142480	PIN	1						
30	90303071601	WASHER,PLAIN	2		16				
31	80136340028	PIN,SPLIT	2		4X28				
32	44340932300	SUPPORT	1						
33	44340932400	SUPPORT	1						
34	90201200800	NUT	8		M8				
35	90101508020	BOLT	2		M8X20				
36	37002434090	HOSE	4		L=550				
37	90303070801	WASHER,PLAIN	12		8				
38	81408000160	PIPE,STEEL	5	M	12X1.4T				
39	81408000160	PIPE,STEEL	5	M	12X1.4T				
40	81408000160	PIPE,STEEL	4	M	12X1.4T				
41	81408000160	PIPE,STEEL	4	M	12X1.4T				
42	44340450200	CLAMP	1						
43	90101208022	BOLT	3		M8X22				
44	44340451800	PLATE	2						
45	44340452001	PLATE	1						
46	80320010080	FITTING	12		KUD12-030N				
47	44340451901	PLATE	1						
48	80320010075	FITTING	2		KUD12-020N				
49	37002462910	HOSE	4		L=5650				
50	81408000160	PIPE,STEEL	2	M	12X1.4T				
51	81408000160	PIPE,STEEL	1	M	12X1.4T				
52	81408000160	PIPE,STEEL	2	M	12X1.4T				
54	44340932670	SUPPORT	1						
55	44340932680	SUPPORT	1						
56	90101208025	BOLT	4		M8X25				
57	81408000160	PIPE,STEEL	1	M	12X1.4T				
58	44340890500	JOINT	4						
59	80321112450	VALVE,CHECK	4						
71	90180208020	BOLT,BUTTON	42		M8X20				
72	90302040801	WASHER,SPRING	42		8				
73	37000713960	CLAMP ASSY	2						
74	44340932110	COVER	3						
75	44340500200	CLAMP	8						
76	90101210022	BOLT	16		M10X22				
77	90302041001	WASHER,SPRING	22		10				

**AW-370-1-80201 4 BOOM, WHEEL TYPE
PK1100301-00 SWING FRAME**



AW-370-1-80201 4 BOOM,WHEEL TYPE

Pos No.	Parts No	Parts Name	Qty	Unit	Technical Data	Serial No (Start)	Serial No (End)	Remarks	Pages
1	44270531000	COVER	1						
2	44270530800	COVER	1						
3	90101210020	BOLT	7		M10X20				
4	90302041001	WASHER,SPRING	47		10				
5	37000536290	PLATE	17						
6	44270530300	COVER	1						
7	90101210014	BOLT	40		M10X14				
8	44270530900	COVER	1						
9	44270530500	COVER	1						
10	44270860100	STEP	1						
11	44270530700	COVER	1						
12	44270860200	COVER	1						
13	44270531200	COVER	1						
14	90303071001	WASHER,PLAIN	6		10				
15	90101208014	BOLT	4		M8X14				
16	90302040801	WASHER,SPRING	10		8				
17	44270790100	COVER	1						
18	44270790200	COVER	1						
19	90101208010	BOLT	6		M8X10				
20	90201200800	NUT	1		M8				
21	44270531600	COVER	1						
22	44270531700	COVER	1						
23	44270531800	COVER	1						
24	44270531900	COVER	1						
47	82400000205	GROMMET	1						

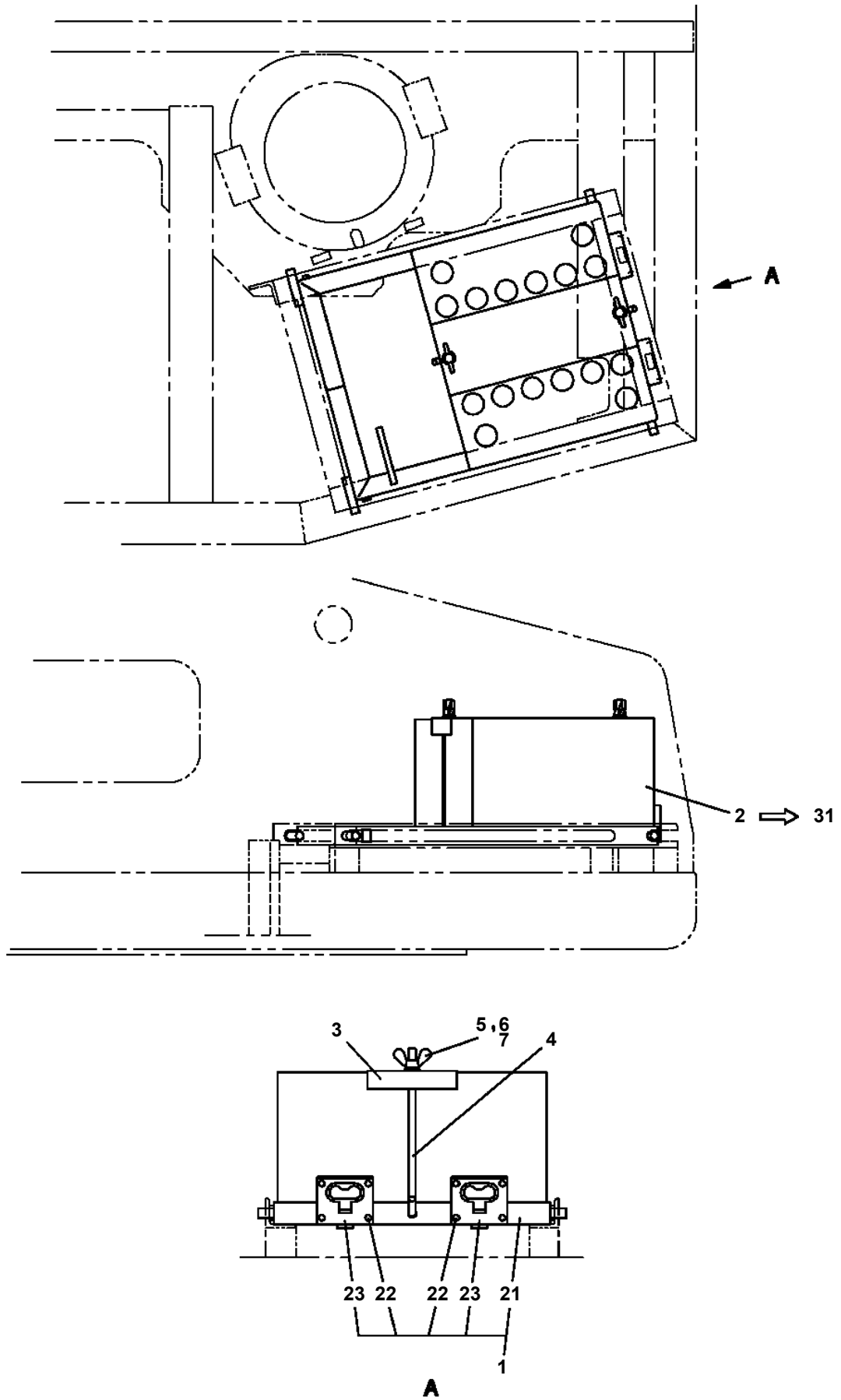
AW-370-1-80201 4 BOOM,WHEEL TYPE

Pos No.	Parts No	Parts Name	Qty	Unit	Technical Data	Serial No (Start)	Serial No (End)	Remarks	Page
1	37002705670	CABLE	1		L=4800				
2	37002705680	CABLE	1		L=4800				
3	91810132530	FASTENER	30						
4	90201200600	NUT	2		M6				
5	90302040601	WASHER,SPRING	2		6				
6	82100002037	CLAMP	2		WE10				
7	82100002038	CLAMP	1		WEC10				
8	82100001802	TUBE,CORRUGATE	7	M	10				
15	82100001411	TUBE,SPIRAL	4	M	SE-08BK				

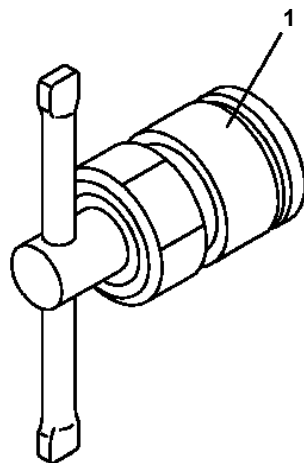
AW-370-1-80201 4 BOOM,WHEEL TYPE

Pos No.	Parts No	Parts Name	Qty	Unit	Technical Data	Serial No (Start)	Serial No (End)	Remarks	Pages
1	90101208020	BOLT	1		M8X20				
2	90302040801	WASHER,SPRING	1		8				
3	82100002018	CLAMP	1		WR35				
4	44350530100	CABLE	1				HE0040		
	44350530101	CABLE	1			HE0041			
5	44350530200	CABLE	1				HE0040		
	44350530201	CABLE	1			HE0041			
6	44350530301	CABLE	1			HE0041			
	44350530300	CABLE	1				HE0040		
7	37000711850	CLAMP ASSY	3				HE0040		
	37000711850	CLAMP ASSY	1			HE0041			
8	37000712800	CLAMP ASSY	8		14X3				
9	82100001412	TUBE,SPIRAL	6	M	SE-12BK				
10	37000712750	CLAMP ASSY	1						
11	91810130250	FASTENER	25						
12	44350530400	CABLE	1						
13	44350530500	CABLE	1						
14	44350530600	CABLE	1						
15	37000712760	CLAMP ASSY	1						
16	44350530010	SPACER	3						
17	37000714210	CLAMP ASSY	2		12X4	HE0041			
18	37000300720	SLEEVE	6		12-10	HE0041			
31	37000603260	CUSHION	4						
32	44350200210	SUPPORT	1						
33	90101508050	BOLT	4		M8X50				
34	90302040801	WASHER,SPRING	4		8				
42	37000553580	PLATE	1						

**AW-370-1-80201 4 BOOM, WHEEL TYPE
PN1370082-02 BATTERY INSTALLATION**

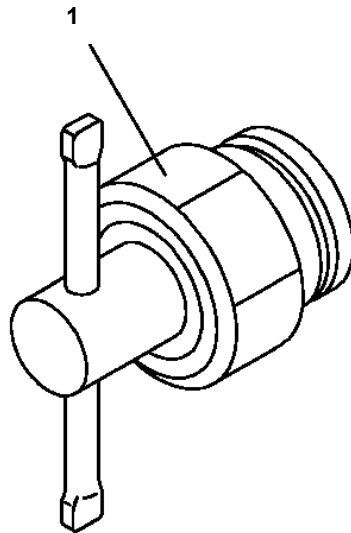


**AW-370-1-80201 4 BOOM,WHEEL TYPE
PP5550001-00 PRESSURE DEJECTA (MAIL,3/8)**



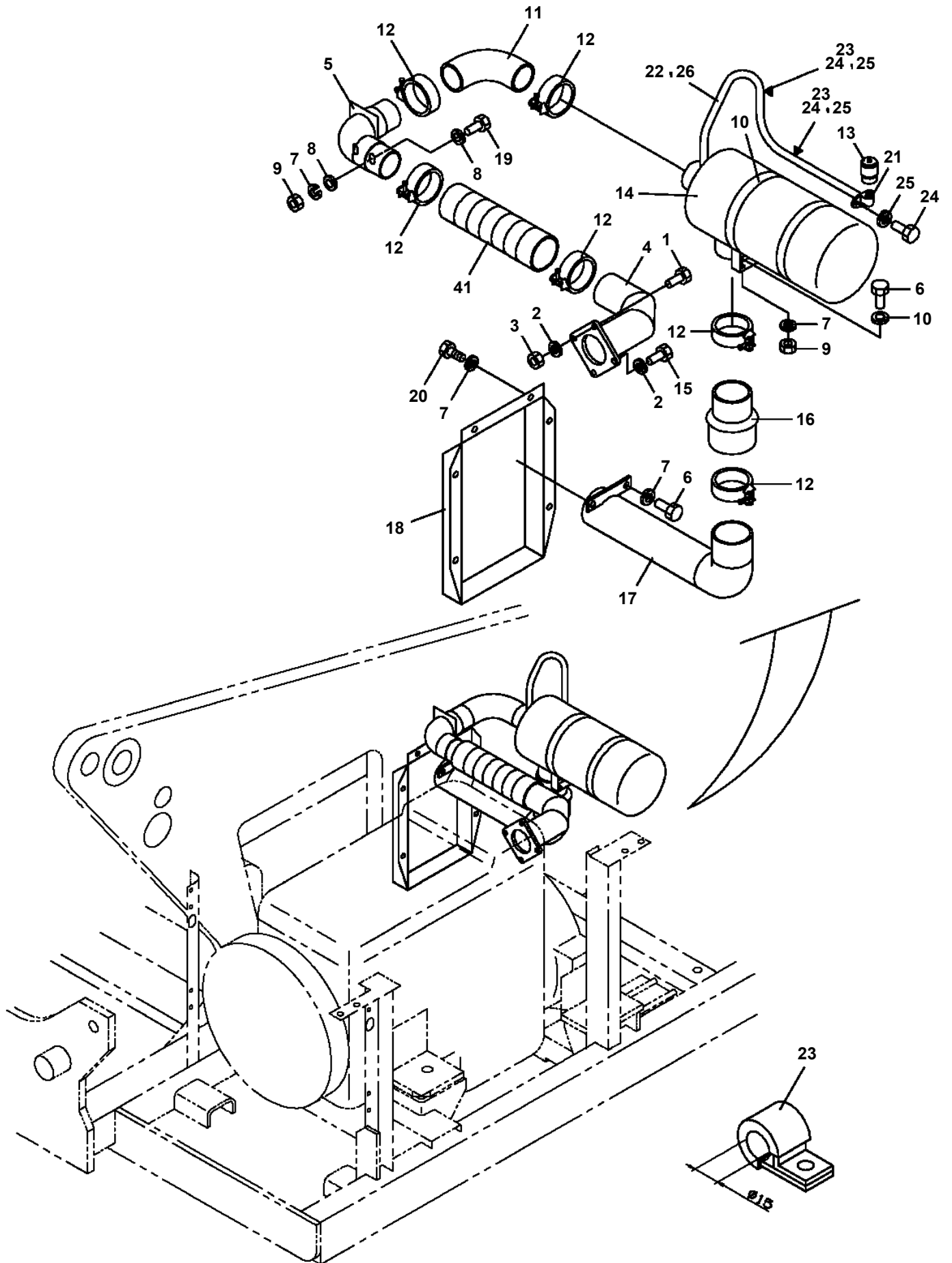
圧抜き工具 3/8オス用

**AW-370-1-80201 4 BOOM,WHEEL TYPE
PP5550006-00 PRESSURE DEJECTA (FEMALE,1/4)**



圧抜き工具 1/4メス用

**AW-370-1-80201 4 BOOM, WHEEL TYPE
PQ1060016-02 AIR INTAKE INSTALLATION**



AW-370-1-80201 4 BOOM,WHEEL TYPE

Pos No.	Parts No	Parts Name	Qty	Unit	Technical Data	Serial No (Start)	Serial No (End)	Remarks	Pages
1	44421310100	PIPE	1				HE0049		
	44421310200	PIPE	1			HE0050			
2	91803600300	CLIP	2		D=22-30		HE0049		
	91803600300	CLIP	1		D=22-30	HE0050			
3	56157020000	CLAMP	3		R=9				
4	90101210016	BOLT	3		M10X16				
5	90302041001	WASHER,SPRING	3		10				

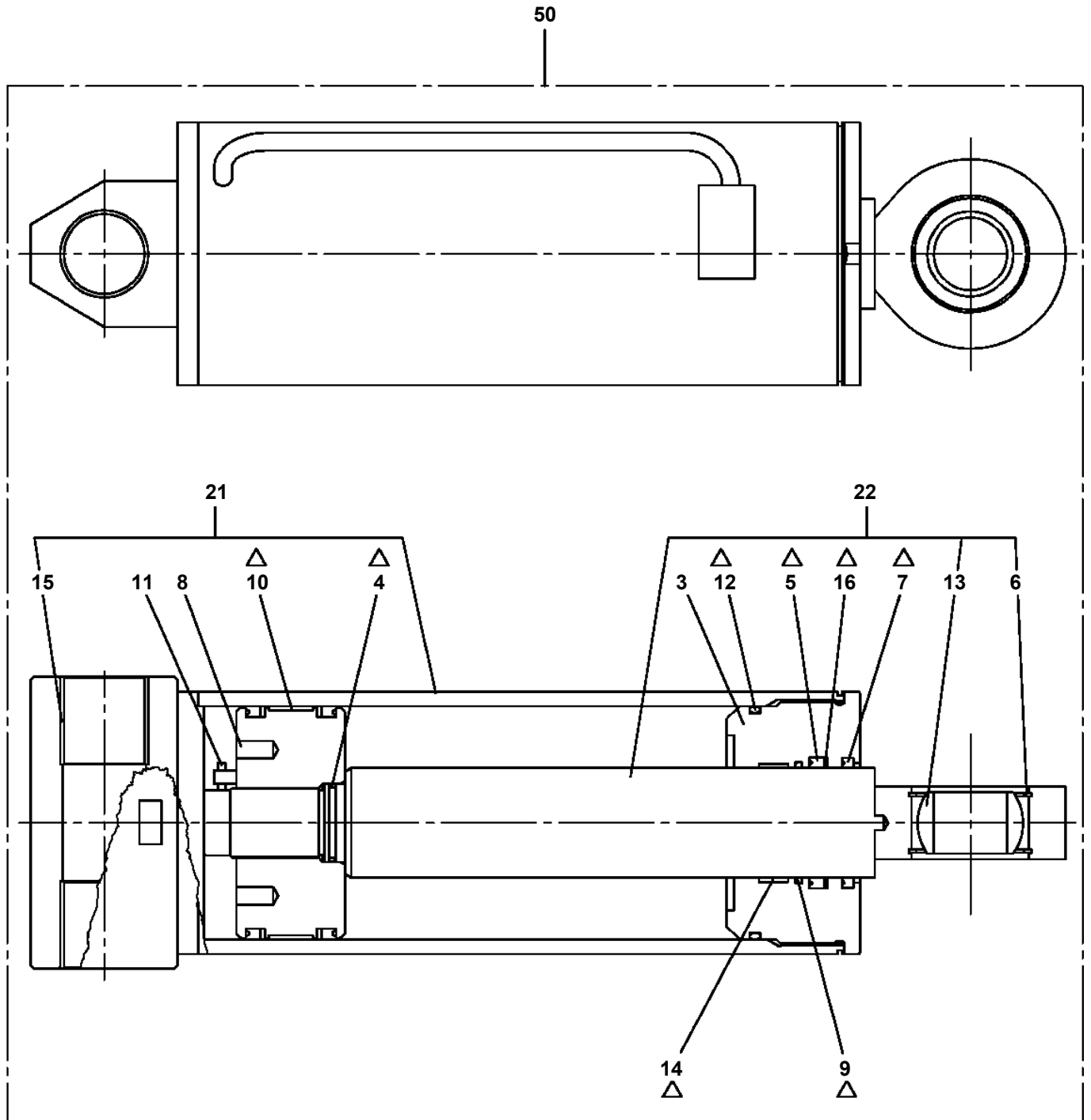
AW-370-1-80201 4 BOOM,WHEEL TYPE

Pos No.	Parts No	Parts Name	Qty	Unit	Technical Data	Serial No (Start)	Serial No (End)	Remarks
1	36663200000	DRIVE UNIT,WHEEL	2					
2	44610835100	AXLE (REAR,LEFT)	1					
3	36042320000	CYLINDER ASSY	1					
4	44610835300	AXLE (REAR,RIGHT)	1					
5	91002802240	O-RING	2		1B P22.4			
6	37000925650	JOINT	2					
7	90303501601	WASHER,PLAIN	54		16			
8	37001500240	BOLT	54		M16X50			
9	44610755010	COVER	2					
10	90101208014	BOLT	16		M8X14			
11	90302040801	WASHER,SPRING	16		8			
12	37000166210	PIN	1					
13	80601110200	RING,RITAINING	2		S20			
14	37000138750	PIN	1		18			
15	37002461180	HOSE	1		L=2000			
16	37002462300	HOSE	2		L=1900			
17	44610524010	COVER	2					
18	90171112070	BOLT	16		M12X70			
19	90302041201	WASHER,SPRING	32		12			
20	37000523990	PLATE,SLIDE	4					
21	37000519240	PLATE	12		T=1.0			
22	37000519250	PLATE	4		T=0.5			
23	37000532150	PLATE,SLIDE	4					
24	37000532140	PLATE,SLIDE	4					
25	90171112040	BOLT	12		M12X40			
26	37000524000	PLATE,SLIDE	4					
27	90171112045	BOLT	4		M12X45			
28	37000565640	PLATE	12		T=0.5 TO 0.6			
29	44610751050	PLATE	4					
30	37000918330	JOINT	2		G1/2-G3/4			
31	91002801800	O-RING	2		1B P18			
32	80400160129	JOINT	1					
33	91002801400	O-RING	1		1B P14			
34	80136332036	PIN,SPLIT	2		3.2X36			
35	44610751700	PIN	1					
36	90171110025	BOLT	8		M10X25			
37	90302041001	WASHER,SPRING	8		10			
38	44610751800	PIN	1					
39	37000565650	PLATE	18		T=1.0			
40	37000565660	PLATE	12		T=2.3			
41	44610751070	PLATE	8					
42	37001100620	ROLLER ASSY	1					
43	37000107020	PIN	1					
44	80136325036	PIN,SPLIT	2					
45	90172106016	BOLT,HEXAGON SOCKET	12		M6X16			
46	44610755050	SHIM	8		T=2.3			
49	44610755030	SHIM	24		T=1.0			
50	44610755040	SHIM	8		T=0.6			
51	90171112065	BOLT	8		M12X65			
71	90209201800	NUT	1		M18			
72	90302041801	WASHER,SPRING	1		18			
73	91100104500	SEAL,RING	1					
74	36041644000	PISTON	1					
75	36042311000	ROD	1					
76	36042322001	CYLINDER ASSY	1					
77	36041641000	COVER,ROD	1					
78	91002904000	O-RING	1		1B G40			
79	91694003000	PACKING	1					
80	91411203001	RING,BACKUP	1					
81	91660003001	SEAL,DUST	1					
82	80316070040	PLUG	1		PF1/4			
83	91002801100	O-RING	1		1B P11			
84	80316070060	PLUG	2		PF3/8			

AW-370-1-80201 4 BOOM,WHEEL TYPE

Pos No.	Parts No	Parts Name	Qty	Unit	Technical Data	Serial No (Start)	Serial No (E
6	36663205020	GEAR,INPUT	1				
7	36663205030	GEAR,SPUR (KIT)	1				
8	36662935070	COVER	1				
13	36662935110	DISTANCE PIECE	3				
14	36662935120	DISTANCE PIECE	3				
17	36662935130	PIN	30				
18	36662935140	RING	1				
21	36662935150	BEARING,BALL	2				
25	80601110250	RING,RITAINING	3		S25		
26	80602110520	RING,RITAINING	3		R52		
27	36662935160	RING,RETAINING	1				
28	91002926000	O-RING	2		1B G260		
30	91001704100	O-RING	1		WG41		
33	80316030080	PLUG	2		PT1/2		
34	36662935170	HOUSING	1				
35	36662935180	SLEEVE	1				
36	36662935190	HANDLE	1				
37	36662935200	PIN	1				
38	36660785090	COLLAR	1				
41	36662935510	SPRING	1				
43	91002906000	O-RING	1		1B G60		
44	91002801001	O-RING	1		1B P10A		
45	80601110140	RING,RITAINING	1		S14		
47	90131906016	BOLT,HEXAGON SOCKET	2		M6X16		
48	90131906025	BOLT,HEXAGON SOCKET	2		M6X25		
61	36662935080	SEAL KIT (F)	1				
71	36662935030	SPINDLE KIT	1				
81	36662935040	GEAR ASSY (RV)	1				
102	36662935210	SHAFT	1				
103	36662935220	PLATE,SWASH	1				
104	36662935230	BLOCK,CYLINDER	1				
107	36662935250	PLATE (RETAINER)	1				
108	36662935260	BALL,THRUST	1				
109	36662935270	PLATE,TIMING	1				
110	36662935280	WASHER	2				
111	36662935290	WASHER	1				
112	36662935300	PISTON	1				
114	36662935320	SPRING	1				
117	36662935350	PIN	1				
118	36663255020	PLUG	1				
121	36662275060	PLUG	1				
122	36663255030	SPOOL	1				
123	36662935390	PLUG	2				
125	36662935410	PLUG	2				
130	36662935460	BEARING,BALL	1				
131	80500006005	BEARING,BALL	1				
132	36662935450	SEAL,OIL	1				
133	91002800900	O-RING	1		1B P9		
134	91002800600	O-RING	1		1B P6		
135	91002814500	O-RING	1		1B P145		
136	91002803200	O-RING	2		1B P32		
137	91002802000	O-RING	2		1B P20		
138	91002801400	O-RING	1		1B P14		
139	91002917000	O-RING	1		1B G170		
140	80730050012	PIN	2		5X12		
141	80730100028	PIN	2		10X28		
143	90131912035	BOLT,HEXAGON SOCKET	8		M12X35		
144	36662935470	RING,SNAP	1				
145	80730030016	PIN	3		3X16		
146	36660685330	RING	1				
161	36662935240	PISTON KIT	1				
180	36663205010	REDUCER ASSY	1				
190	36663255010	MOTOR ASSY	1				

**AW-370-1-80201 4 BOOM,WHEEL TYPE
PS1360052-01 CYLINDER,STEERING**

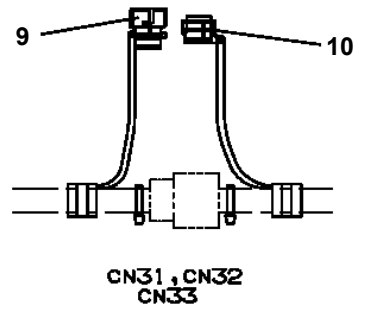
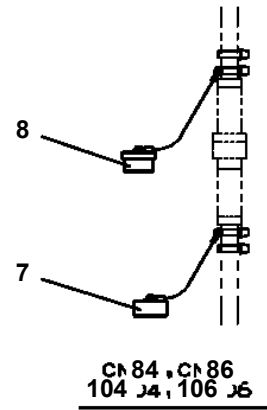
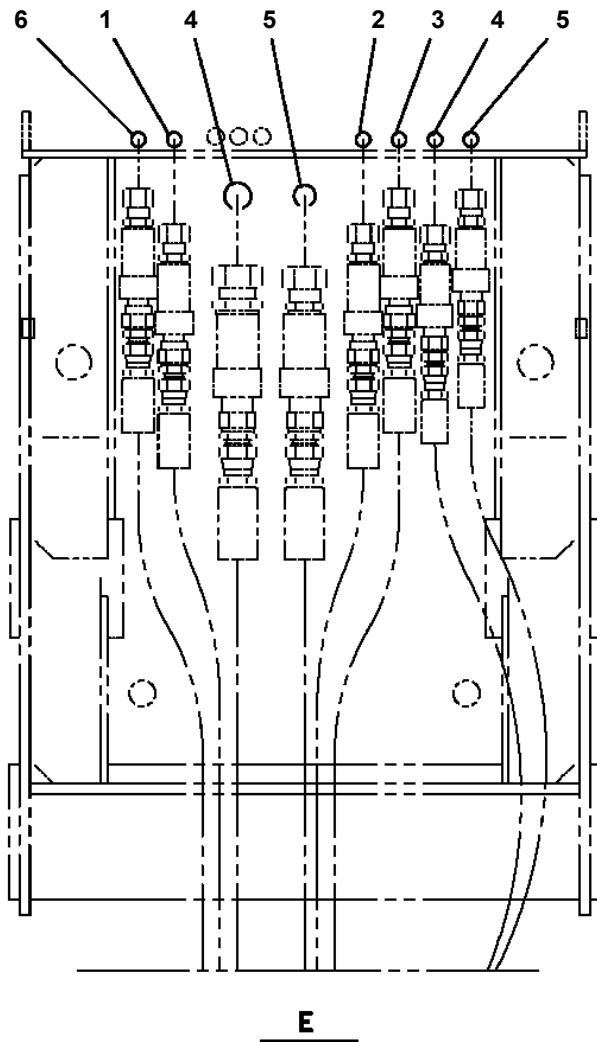
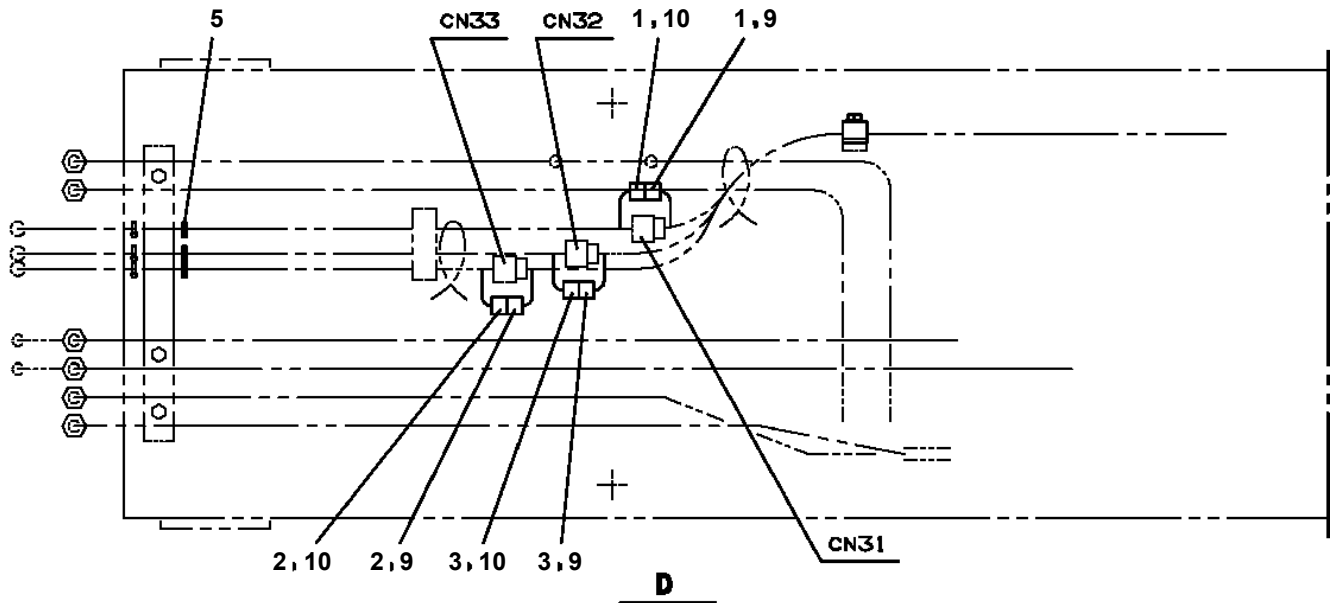


Δ:PACKING SET KEY NO.31 (KEY NO.4,5,7,9,10,12,14,16)

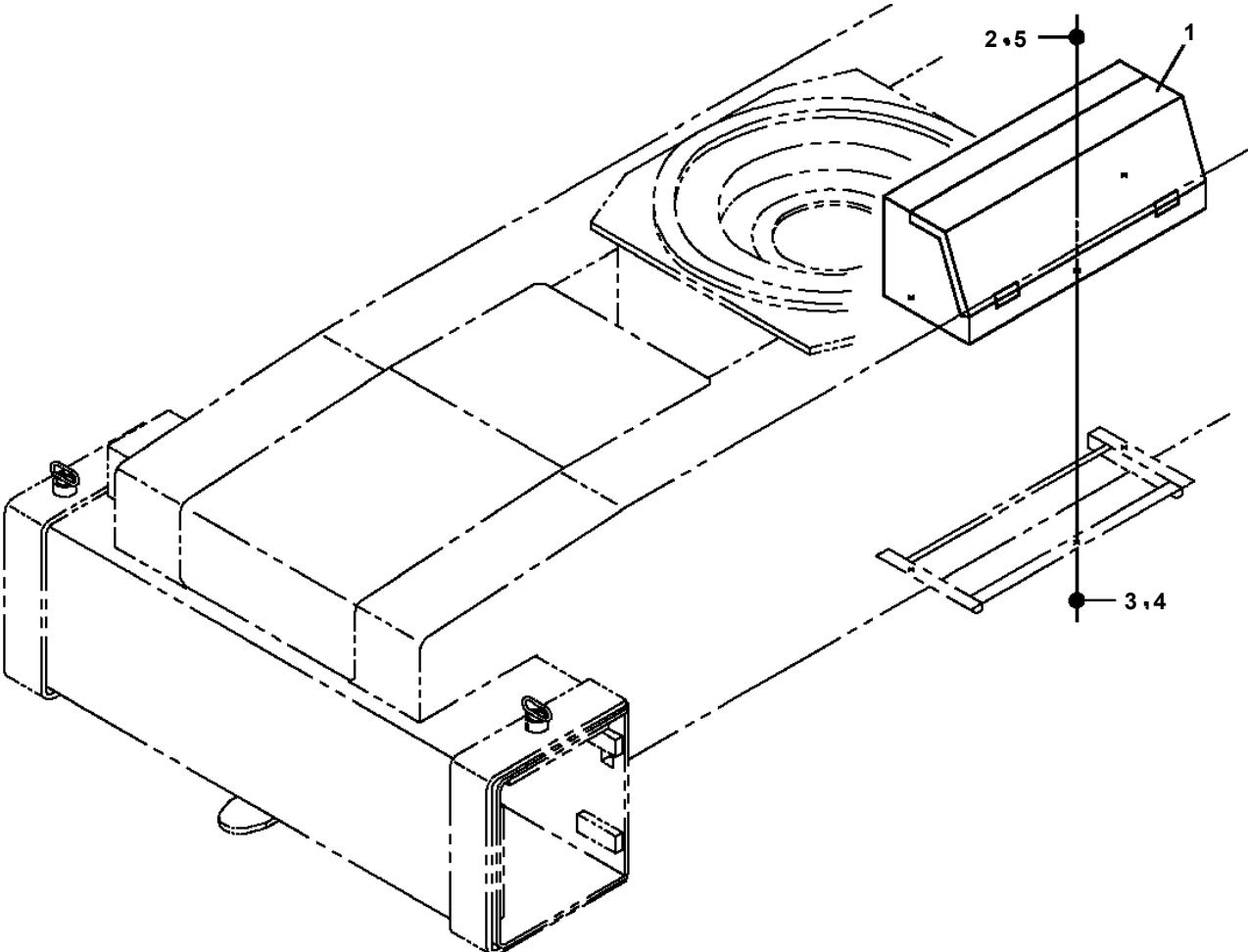
AW-370-1-80201 4 BOOM,WHEEL TYPE

Pos No.	Parts No	Parts Name	Qty	Unit	Technical Data	Serial No (Start)	Serial No (End)	Re
1	36645285070	MODULE (PUMP SIDE)	1					
4	36644235090	ACTUATOR (MECHANICAL)	5					
5	36742125010	ACTUATOR (ELECTRICAL)	4					
6	36644885050	ACTUATOR (ELECTRICAL)	1					
12	36643975040	PLATE (END)	1					
13	36644235010	ASSEMBLY KIT (PVAS)	1					
14	36644235100	VALVE (SUCTION)	2					
15	36645205070	SEAL KIT	5					
16	36644325010	SEAL KIT	5					
17	36646255110	SEAL KIT	5					
18	36646935060	CONNECTOR	5					
51	36646935011	VALVE,CONTROL (TRAVELLING)	1					
52	36646935021	VALVE,CONTROL	1					
53	36646935031	VALVE,CONTROL	1					
54	36644325021	VALVE,CONTROL	1					
55	36646935041	VALVE,CONTROL	1					
81	36643975540	SEAL KIT (FOR PVP)	1					
91	36645205160	SEAL KIT (FOR PVB)	4					
100	36742110000	VALVE ASSY,CONTROL	1					

**AW-370-1-80201 4 BOOM, WHEEL TYPE
PW1010215-00 ACCESSORIES (PIPING, FASTNER)**



**AW-370-1-80201 4 BOOM,WHEEL TYPE
PX1350211-00 TOOL BOX INSTALLATION**



CLICK HERE TO **DOWNLOAD** THE COMPLETE MANUAL

- Thank you very much for reading the preview of the manual.
- You can download the complete manual from: www.heydownloads.com by clicking the link below



- Please note: If there is no response to CLICKING the link, please download this PDF first and then click on it.

CLICK HERE TO **DOWNLOAD** THE COMPLETE MANUAL