

AW-215-1-00202 3 BOOM,WHEEL TYPE

**PB1000051-01 HYDRAULIC PRESSURE GENERATING SYSTEM
PD1000048-00 SWING SYSTEM
PE1000048-00 ELEVATING SYSTEM
PG1000049-00 TELESCOPING SYSTEM
PH1000048-02 SAFETY DEVICES
PI1000049-01 HYDRAULIC DEVICES
PJ3000005-01 PLATFORM SYSTEM
PK1000049-00 FRAME
PL1000049-01 CONTROL DEVICES
PM1000009-00 LUBRICATION DEVICES
PN1000046-01 ELECTRIC EQUIPMENT
PO1000049-00 INDICATION PLATES
PQ1000010-00 DRIVING POWER GENERATING SYSTEM
PR2000000-00 AXLE SYSTEM
PS1000004-00 STEERING SYSTEM
PW1000043-00 ACCESSORIES & TOOLS
PX1000048-02 MOUNTING PARTS
PY1000040-03 OPTIONS
ASSEMBLY**

CLICK HERE TO **DOWNLOAD** THE COMPLETE MANUAL

- Thank you very much for reading the preview of the manual.
- You can download the complete manual from: www.heydownloads.com by clicking the link below



- Please note: If there is no response to CLICKING the link, please download this PDF first and then click on it.

CLICK HERE TO **DOWNLOAD** THE COMPLETE MANUAL

AW-215-1-00202 3 BOOM,WHEEL TYPE

Pos No.	Parts No	Parts Name	Qty	Unit	Technical Data	Serial No (Start)	Serial No (End)
3	(***** *****)	CONNECTION,MOMENT LIMITER SYSTEM	1				
	(***** *****)	CONNECTION,MOMENT LIMITER SYSTEM	1				
4	36111910000	MOMENT LIMITER	1				
	36111660000	MOMENT LIMITER	1				

AW-215-1-00202 3 BOOM,WHEEL TYPE

Pos No.	Parts No	Parts Name	Qty	Unit	Technical Data	Serial No (Start)	Serial No (End)	Remarks	Pages
1	(*****)	PIPING,GREASE	1						000079

AW-215-1-00202 3 BOOM,WHEEL TYPE

Pos No.	Parts No	Parts Name	Qty	Unit	Technical Data	Serial No (Start)	Serial No (End)	Re
1	(*****)	OPERATION SYSTEM, STEERING	1					
2	36060690000	CYLINDER,STEERING	1					

AW-215-1-00202 3 BOOM,WHEEL TYPE

Pos No.	Parts No	Parts Name	Qty	Unit	Technical Data	Serial No (Start)	Serial No (End)	Remarks
8	90131512030	BOLT,HEXAGON SOCKET	16		M12X30			
9	90302041201	WASHER,SPRING	16		12			
10	91002909500	O-RING	2		1B G95			
11	36650185030	SEAL,OIL	1					
12	36650185040	SEAL,OIL	1					
13	80602110480	RING,RITAINING	1		R48			
19	36650205020	JOINT	1					
20	91002905000	O-RING	1		1B G50			
21	90131508030	BOLT,HEXAGON SOCKET	4		M8X30			
22	90302040801	WASHER,SPRING	4		8			
30	90131510075	BOLT,HEXAGON SOCKET	32		M10X75			
31	90302041001	WASHER,SPRING	32		10			
32	91002907500	O-RING	4		1B G75			
37	36650495010	JOINT	1					
38	91002905000	O-RING	1		1B G50			
39	90131508030	BOLT,HEXAGON SOCKET	4		M8X30			
40	90302040801	WASHER,SPRING	4		8			
50	36650765010	PUMP ASSY (NO.1)	1					
60	36650765020	PUMP ASSY (NO.2)	1					
70	36650765030	PUMP ASSY (NO.3)	1					
100	36650760000	PUMP,HYDRAULIC	1					

AW-215-1-00202 3 BOOM,WHEEL TYPE

Pos No.	Parts No	Parts Name	Qty	Unit	Technical Data	Serial No (Start)	Serial No (End)	Remarks
2	36630925020	HOUSING (OUTLET)	1					
3	36631715010	VALVE,CONTROL	3					
5	36630925080	TIE ROD	3					
6	36630925090	NUT	6					
11	36630925010	HOUSING (INLET)	1					
12	91001205500	O-RING	1		1A G55			
21	36631715020	END,SPOOL (KIT)	3					
27	36630925270	CAP	3					
28	36630925170	PLATE (SEAL)	6					
30	36630925180	SPRING	3					
31	36630925190	WIPER	6					
32	91001101200	O-RING	6		1A P12			
33	91001205500	O-RING	3		1A G55			
34	36631535110	BRACKET	3					
35	36630925220	BOLT,HEXAGON SOCKET	6					
36	36631025050	BOLT,HEXAGON SOCKET	6					
41	36630925060	PLUG	1					
42	91002801800	O-RING	1		1B P18			
43	91002801400	O-RING	1		1B P14			
50	36631710000	VALVE,MANUAL CONTROL	1					

AW-215-1-00202 3 BOOM,WHEEL TYPE

Pos No.	Parts No	Parts Name	Qty	Unit	Technical Data	Serial No (Start)	Serial No (End)	Remark
1	36601240000	VALVE,COUNTERBALANCE	1					
2	90101510090	BOLT	4		M10X90			
3	90302041001	WASHER,SPRING	4		10			
4	44340015300	CLAMP ASSY	1					
5	44340015200	CLAMP ASSY	1					
6	19491064020	HOSE	1		L=1120			
7	37002409360	HOSE	1		L=1000			
8	37002413640	HOSE	1		L=2650			
9	37002417850	HOSE	1		L=2650			
10	80430621200	JOINT	1					
11	80400160131	JOINT	1					
12	91002801800	O-RING	1		1B P18			
13	37002413660	HOSE	1		L=2000			
14	37002413670	HOSE	1		L=2000			
15	37002410970	HOSE	2		L=1650			
16	91800000005	FASTENER	8					
17	82100001412	TUBE,SPIRAL	2	M	SE-12BK			
21	91002802400	O-RING	1		1B P24			

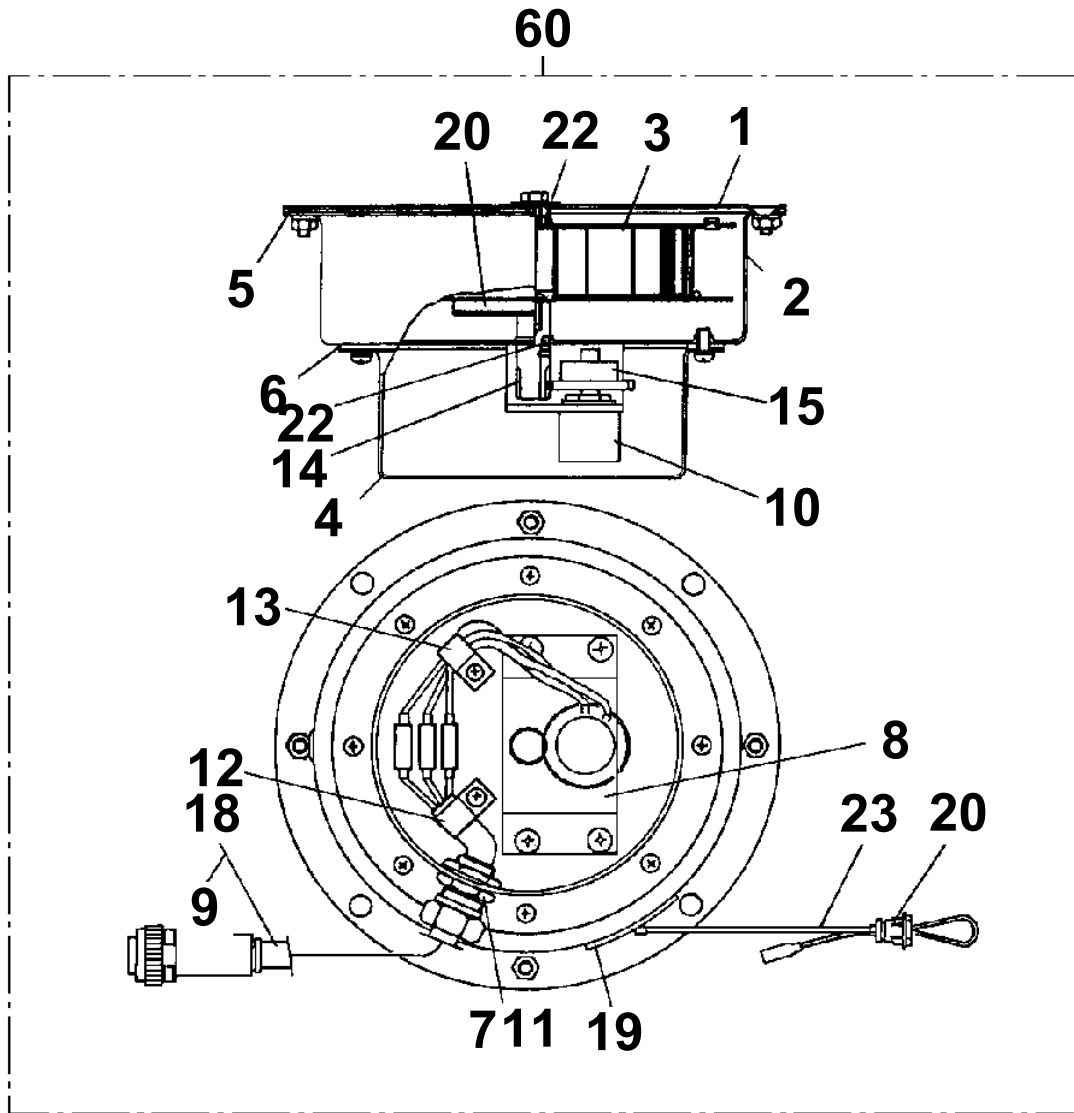
AW-215-1-00202 3 BOOM,WHEEL TYPE

Pos No.	Parts No	Parts Name	Qty	Unit	Technical Data	Serial No (Start)	Serial No (End)	Rem
1	81408000290	PIPE,STEEL	1	M	22X2.5T			
2	81408000290	PIPE,STEEL	1	M	22X2.5T			
3	81408000241	PIPE,STEEL	1	M	18X1.9T			
4	81408000241	PIPE,STEEL	1	M	18X1.9T			
5	81408000241	PIPE,STEEL	1	M	18X1.9T			
6	81408000241	PIPE,STEEL	1	M	18X1.9T			
7	81408000130	PIPE,STEEL	1	M	10X1.8T			
8	81408000130	PIPE,STEEL	1	M	10X1.8T			
9	81408000130	PIPE,STEEL	1	M	10X1.8T			
10	81408000130	PIPE,STEEL	1	M	10X1.8T			
11	81408000241	PIPE,STEEL	1	M	18X1.9T			
12	81408000241	PIPE,STEEL	1	M	18X1.9T			
13	81408000160	PIPE,STEEL	2	M	12X1.4T			
14	81408000160	PIPE,STEEL	2	M	12X1.4T			
15	81408000160	PIPE,STEEL	1	M	12X1.4T			
16	81408000160	PIPE,STEEL	1	M	12X1.4T			
17	80305050090	FITTING,TEE	1		KTK12-020N			
18	81408000160	PIPE,STEEL	1	M	12X1.4T			
19	81408000160	PIPE,STEEL	1	M	12X1.4T			
20	81408000160	PIPE,STEEL	1	M	12X1.4T			
21	81408000160	PIPE,STEEL	1	M	12X1.4T			
22	37002413750	HOSE	2		L=1400			
23	90131510030	BOLT,HEXAGON SOCKET	8		M10X30			
24	90302041001	WASHER,SPRING	16		10			
25	82100002017	CLAMP	2		WR30			
26	90101508020	BOLT	2		M8X20			
27	90302040801	WASHER,SPRING	19		8			
28	37002413210	HOSE	1		L=450			
29	80430450850	JOINT	1					
30	80320010140	FITTING	1		KUD18-040N			
31	80303130241	FITTING,ELBOW	2		KLO18-040E			
32	80302090281	FITTING	1		KCO22-060N			
33	36610310001	VALVE,DIVIDER & COMBINE	1					
34	90101208090	BOLT	3		M8X90			
35	90201200800	NUT	3		M8			
36	91002802400	O-RING	1		1B P24			
37	80330001300	FITTING,TEE	3		KTR18-120N			
38	80320010180	FITTING	2		KUD22-060N			
39	80302010170	FITTING	2		KCT12-040N			
40	80302090121	FITTING	2		KCO10-030N			
41	91002801400	O-RING	2		1B P14			
42	80302090241	FITTING	1		KCO18-040N			
43	91002801800	O-RING	5		1B P18			
44	80330000200	FITTING,TEE	1		KTZ-00004N			
45	80302010240	FITTING	4					
46	80302010100	FITTING	2		KCT10-020N			
47	80305010100	FITTING,TEE	2		KTA12-000N			
48	80302010140	FITTING	5		C717KCT12-020N			
49	90101210020	BOLT	8		M10X20			
50	90101208016	BOLT	2		M8X16			
51	90101208022	BOLT	4		M8X22			
52	90101208045	BOLT	2		M8X45			
53	44640010870	CLAMP	1					
54	44640010880	CLAMP	2					
55	44640010890	CLAMP	1					
56	44640010900	SUPPORT	1					
57	44640040350	JOINT	1					
58	44640222500	SUPPORT	1					
59	44640222600	SUPPORT	1					
60	44640222700	JOINT	2					
61	44640222800	JOINT	1					
62	44640222900	JOINT	1					
63	44640223000	CLAMP	2					

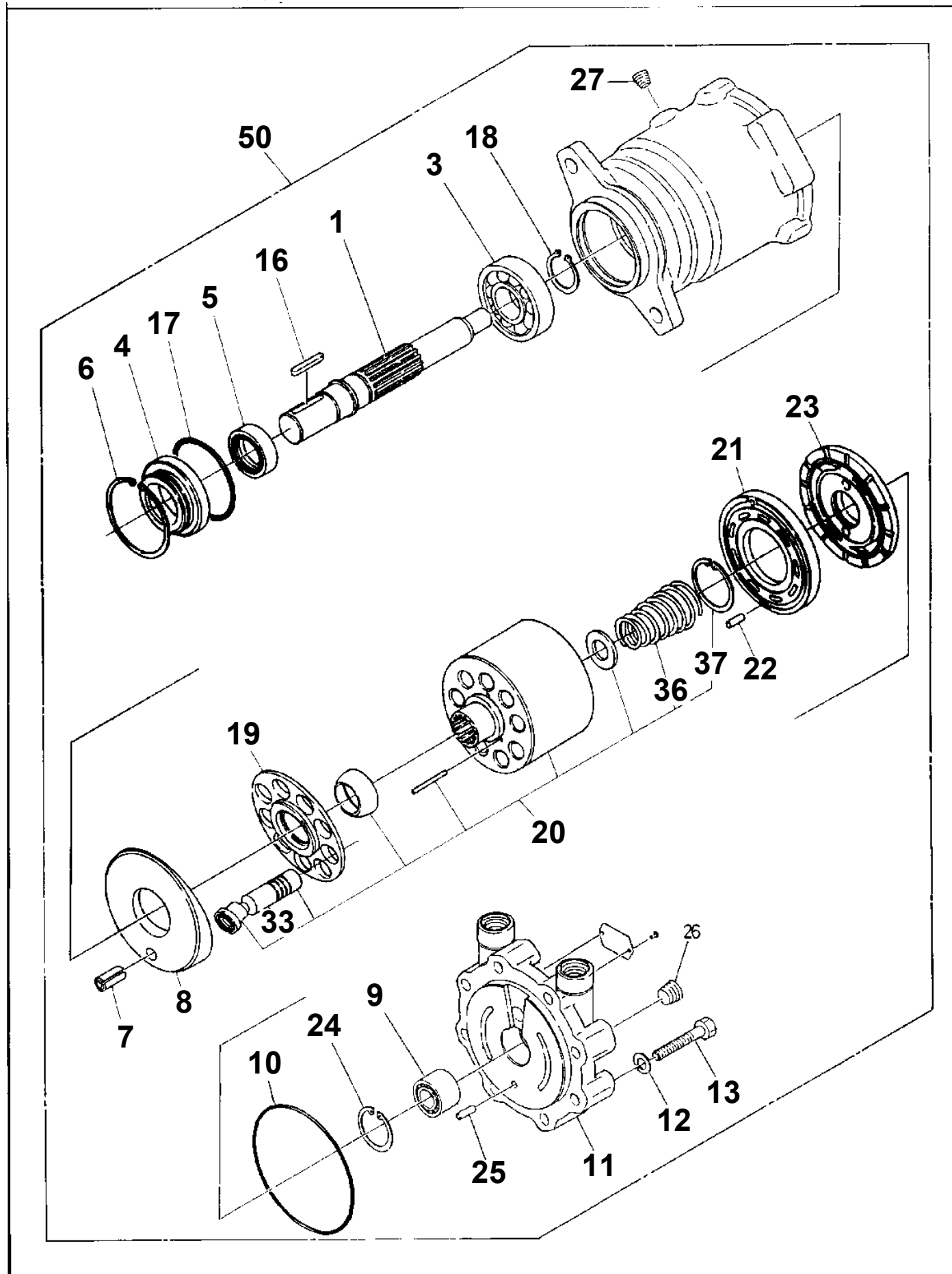
AW-215-1-00202 3 BOOM,WHEEL TYPE

Pos No.	Parts No	Parts Name	Qty	Unit	Technical Data	Serial No (Start)	Serial No (End)	Remarks
3	36020715030	PISTON	1					
4	91684008000	PACKING	2					
5	91411207100	RING,BACKUP	2					
6	91002802600	O-RING	1		1B P26			
7	91300008000	BEARING,PLAIN	1					
8	90302040301	WASHER,SPRING	1		3			
9	90209703009	NUT	1		M30			
10	36020615060	COLLAR	1					
11	80801003020	BEARING,PLAIN	2					
12	80612110500	RING,RITAINING	1		AR50			
14	91002908000	O-RING	1		1B G80			
15	91411108000	RING,BACKUP	1		G80			
17	91694004501	PACKING	1					
18	91410204501	RING,BACKUP	1					
19	91660004500	SEAL,DUST	1					
20	80622000450	RING,RITAINING	1		SP45			
21	36021095050	BEARING,SPHERICAL	1					
22	36021095060	BOOT	1					
23	91801301100	CLIP	1					
24	91801300480	CLIP	1		D=43-48			
31	36021095070	CYLINDER ASSY	1					
32	36021095080	ROD ASSY	1					
33	36020715080	COVER,ROD	1					
50	36021090000	CYLINDER,LEVELING	1					
60	36621350000	VALVE,CHECK	1					
70	90131510050	BOLT,HEXAGON SOCKET	4		M10X50			

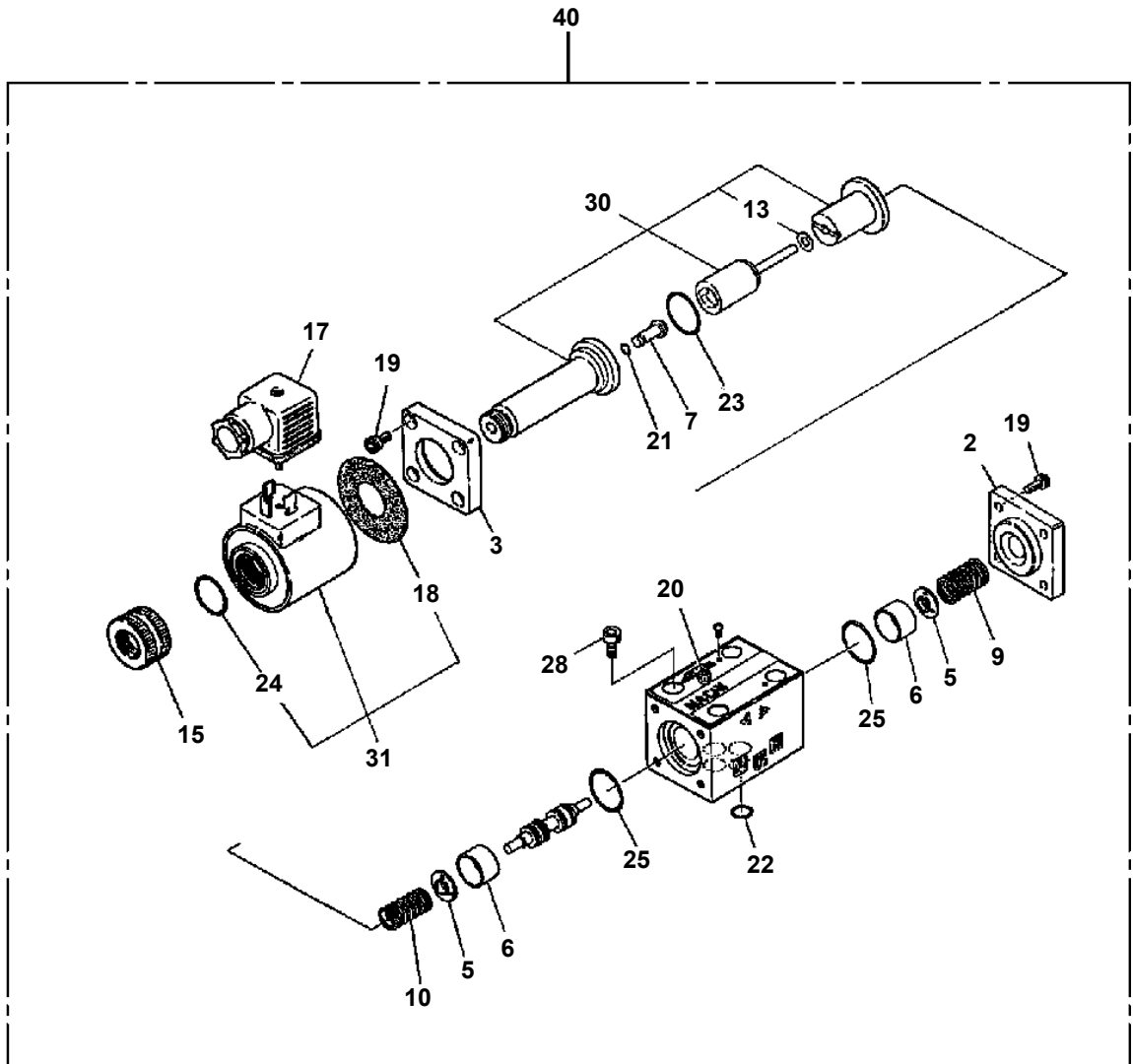
AW-215-1-00202 3 BOOM,WHEEL TYPE
PG1130017-01 DETECTOR,BOOM LENGTH



AW-215-1-00202 3 BOOM, WHEEL TYPE
PI1010013-01 MOTOR, HYDRAULIC



**AW-215-1-00202 3 BOOM,WHEEL TYPE
PI1120014-01 VALVE,SOLENOID**



CLICK HERE TO **DOWNLOAD** THE COMPLETE MANUAL

- Thank you very much for reading the preview of the manual.
- You can download the complete manual from: www.heydownloads.com by clicking the link below



- Please note: If there is no response to CLICKING the link, please download this PDF first and then click on it.

CLICK HERE TO **DOWNLOAD** THE COMPLETE MANUAL

AW-215-1-00202 3 BOOM,WHEEL TYPE

Pos No.	Parts No	Parts Name	Qty	Unit	Technical Data	Serial No (Start)	Serial No (End)	Remarks	Pages
3	91001203000	O-RING	1		1A G30				
4	36620165020	SPRING	1						
5	36620165030	SPACER	1						
6	36620165040	SPRING	1						
20	36621400000	VALVE,CHECK	1						

AW-215-1-00202 3 BOOM,WHEEL TYPE

Pos No.	Parts No	Parts Name	Qty	Unit	Technical Data	Serial No (Start)	Serial No (End)	Remark
10	36601155010	SPRING	2					
11	36601155020	SPRING	2					
12	36601155030	SPRING	2					
16	91002904500	O-RING	2		1B G45			
17	91002903000	O-RING	2		1B G30			
18	91002801200	O-RING	2		1B P12			
19	91002800700	O-RING	2		1B P7			
20	90131510075	BOLT,HEXAGON SOCKET	6		M10X75			
21	90131510040	BOLT,HEXAGON SOCKET	8		M10X40			
22	36600205100	VALVE,RELIEF	2					
36	36600205120	NUT	2					
37	36600065020	SPRING	2					
39	36600065030	SHIM	2					
40	36600065040	O-RING	2					
41	36600065050	O-RING	2					
42	36600065060	O-RING	2					
43	36600065070	RING,BACKUP	4					
46	36600205110	CAP	2					
50	36601150001	VALVE,COUNTERBALANCE	1					

AW-215-1-00202 3 BOOM,WHEEL TYPE

Pos No.	Parts No	Parts Name	Qty	Unit	Technical Data	Serial No (Start)	Serial No (End)	Rema
1	44260210100	COVER	1					
2	90101208030	BOLT	2		M8X30			
3	90302040801	WASHER,SPRING	2		8			
4	44260211000	BASKET	1					
5	44260212000	FRAME	1					
6	37001502320	U-BOLT	2		M10			
7	90201201000	NUT	4		M10			
8	90302041001	WASHER,SPRING	10		10			
9	90303070601	WASHER,PLAIN	9		6			
10	90302040601	WASHER,SPRING	21		6			
11	44260100200	COVER	1					
12	44260173000	POST	1					
13	44260100050	PLATE	1					
14	44260170100	GEAR	1					
15	90171112045	BOLT	2		M12X45			
16	42260010200	WASHER	6					
17	90171112030	BOLT	3		M12X30			
18	90101512035	BOLT	4		M12X35			
19	90201401200	NUT	4		M12			
20	90302041201	WASHER,SPRING	8		12			
21	90303071201	WASHER,PLAIN	8		12			
22	90131712035	BOLT,HEXAGON SOCKET	4		M12X35			
23	36660640000	MOTOR,HYDRAULIC BUSKET	1					
24	44260100070	GEAR	1					
25	99105738020	BOLT	1					
26	90307190042	WASHER	1		3/8			
27	80602110280	RING,RITAINING	1		R28			
28	11622018030	SPRING	1					
29	80601110190	RING,RITAINING	1		R19			
30	44260020300	PIN	1					
31	90101510020	BOLT	6		M10X20			
32	90101206014	BOLT	17		M6X14			
33	44260020080	PLATE	2					
34	44260020030	GROMMET	2					
35	44260020040	PLATE	1					
36	44260020060	BEARING,PLAIN	1					
37	80801011050	BEARING,PLAIN	2					
38	42200013700	SUPPORT ASSY	2					
39	37001102780	ROLLER	1					
40	90101206018	BOLT	4		M6X18			
41	80801003530	BEARING,PLAIN	2					
42	90101212030	BOLT	1		M12X30			
43	37000148510	PIN	1					
44	42330010160	PLATE	1					
46	80601110300	RING,RITAINING	1		S30			
47	82420504012	TRIM	N					
72	80516006001	BEARING,BALL	2					

AW-215-1-00202 3 BOOM,WHEEL TYPE

Pos No.	Parts No	Parts Name	Qty	Unit	Technical Data	Serial No (Start)	Serial No (End)	Rema
2	36660645010	BEARING,NEEDLE	1					
3	36660645020	BEARING,NEEDLE	1					
6	36660645030	DISK (FRICTION)	6					
7	36660645040	PLATE (CENTER)	6					
8	36660645050	PLATE (PUSH)	1					
9	36660645060	SPRING	10					
10	36660645180	KEY	1		5/16X5/16X1			
14	36660645070	WASHER,THRUST	2					
15	36660645080	BEARING,THRUST	2					
16	36660645090	SEAL,DUST	1					
17	36660645100	RING,BACKUP	1					
18	36660645110	RING (X)	1					
19	91000513700	O-RING	1					
20	91000514700	O-RING	1					
28	91000504100	O-RING	3					
29	91000503800	O-RING	1					
32	36660645120	SPRING	2					
33	36660645130	SEAL	1					
34	36660645140	SEAL	1					
36	91000501100	O-RING	3					
39	91000590300	O-RING	2					
42	91001101100	O-RING	1		1A P11			
51	36660645150	SEAL KIT (FOR SHAFT)	1					
52	36660645160	SEAL KIT (FOR MOTOR)	1					
100	36660640000	MOTOR,HYDRAULIC BASKET	1					

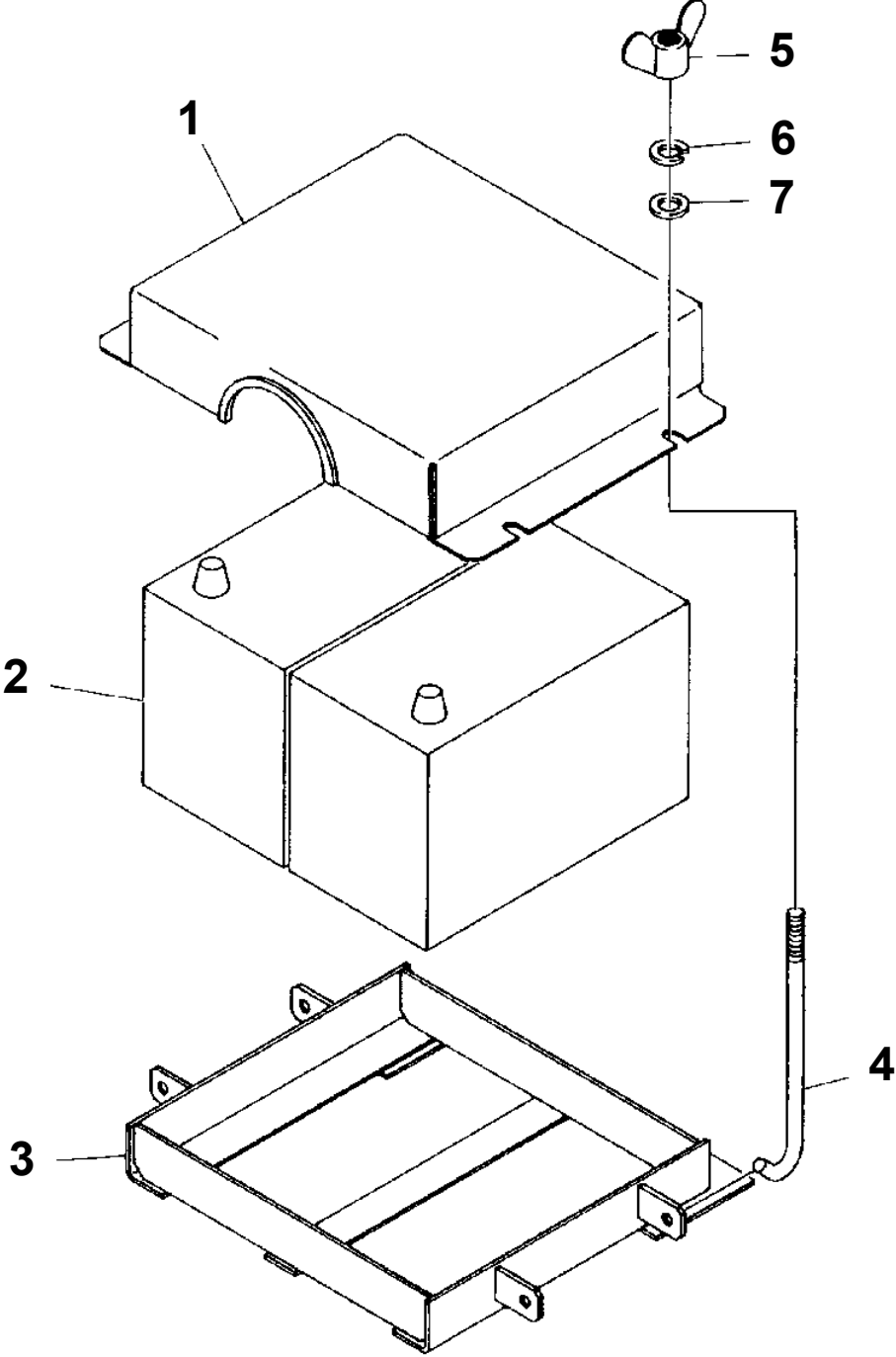
AW-215-1-00202 3 BOOM,WHEEL TYPE

Pos No.	Parts No	Parts Name	Qty	Unit	Technical Data	Serial No (Start)	Serial No (End)	Remarks	Pages
1	37004200580	ROD	1						
2	90291200800	NUT	1		M8				
3	44330010100	TURN BUCKLE	1						
4	90201200800	NUT	3		M8				
5	44330130200	ROD	1						
6	90101508025	BOLT	2		M8X25				
7	90302040801	WASHER,SPRING	2		8				
8	36900060000	MOTOR,ELECTRIC	1						
9	44330010300	SUPPORT	1						
10	90101510040	BOLT	3		M10X40				
11	90302041001	WASHER,SPRING	3		10				
12	37000115550	PIN	1						
13	90303070601	WASHER,PLAIN	1		6				
14	80136320010	PIN,SPLIT	1		2X10				
15	44330010351	LINK	1						
16	90720006200	SCREW,SET	1		M6X20				
17	90201200600	NUT	1		M6				
20	80565000081	END	1						
43	90302040801	WASHER,SPRING	1		8				
50	44330018011	ROD ASSY	1						

AW-215-1-00202 3 BOOM,WHEEL TYPE

Pos No.	Parts No	Parts Name	Qty	Unit	Technical Data	Serial No (Start)	Serial No (End)	Remarks	Pages
1	16715401000	NIPPLE	10						
2	16715403000	SLEEVE	12						
3	16715404000	NIPPLE	12						
4	81408000051	PIPE,STEEL	2	M	6X1.2T				
5	37000910180	JOINT	2						
6	16715402000	FITTING,ELBOW	2						
7	81408000051	PIPE,STEEL	1	M	6X1.2T				
8	81408000051	PIPE,STEEL	1	M	6X1.2T				
9	37000706010	CLAMP ASSY	1						
10	37000910190	JOINT	1						
11	37000706020	CLAMP ASSY	1						

**AW-215-1-00202 3 BOOM,WHEEL TYPE
PN1370005-00 BATTERY INSTALLATION**



AW-215-1-00202 3 BOOM,WHEEL TYPE

Pos No.	Parts No	Parts Name	Qty	Unit	Technical Data	Serial No (Start)	Serial No (
94	44390191260	PLATE,NAME	1				
95	44390141130	PLATE,NAME	1				
96	44390141720	PLATE,NAME	1				

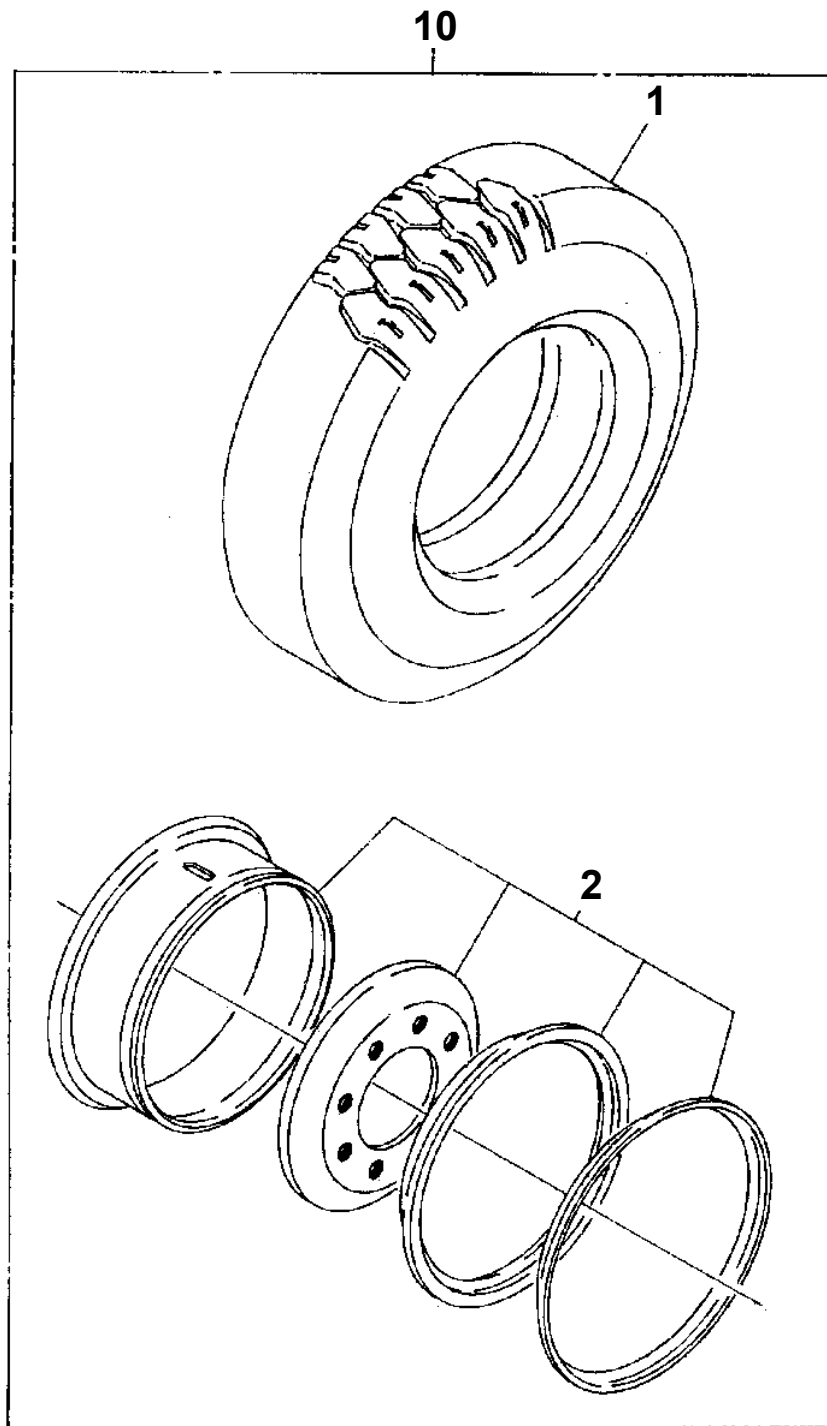
AW-215-1-00202 3 BOOM,WHEEL TYPE

Pos No.	Parts No	Parts Name	Qty	Unit	Technical Data	Serial No (Start)	Serial No (End)	Remarks	Page
1	90101208060	BOLT	4		M8X60				
2	90302040801	WASHER,SPRING	8		8				
3	90201200800	NUT	5		M8				
4	44420660100	PIPE	1						
5	44420660200	PIPE	1						
6	90191210020	BOLT	8		M10X20				
7	90302041001	WASHER,SPRING	8		10				
8	44420070010	CLAMP	4						
9	44420190020	HOSE	1						
10	44420531000	CLEANER,AIR (PRE)	1						
11	44420190080	BAND	2						
12	44420070060	INDICATOR	1						
13	44420190400	SUPPORT	2						
14	90101208020	BOLT	4		M8X20				
15	44420532000	CLEANER,AIR	1						
16	90201201000	NUT	4		M10				
22	44420537510	ELEMENT,INNER	1						
23	44420537520	ELEMENT,OUTER	1						
24	44420537530	GASKET ASSY (NUT)	1						
25	44420197520	BAFFLE (SKIRT)	1						
26	44420197530	CUP ASSY	1						
27	44420197540	CLAMP ASSY	1						
31	44420070150	HOSE (INTAKE)	1						

AW-215-1-00202 3 BOOM,WHEEL TYPE

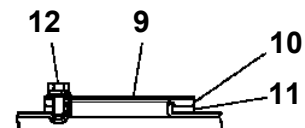
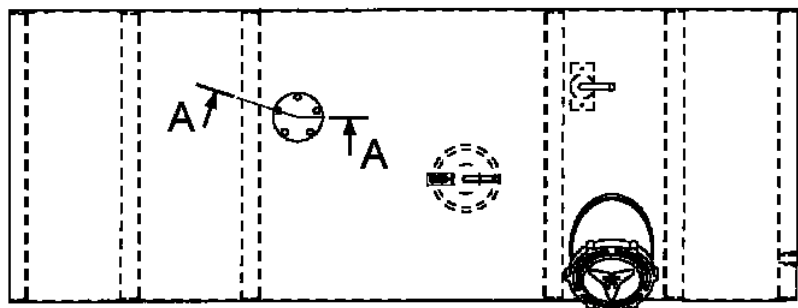
Pos No.	Parts No	Parts Name	Qty	Unit	Technical Data	Serial No (Start)	Serial No (End)	Remarks	Page
1	36662030000	DRIVE UNIT,WHEEL	2						0000
2	37001506780	BOLT	24		M14X40				
3	37001500240	BOLT	24		M16X50				
4	90302041601	WASHER,SPRING	24		16				
5	44610524100	AXLE	1						
6	90101212025	BOLT	32		M12X25				
7	90302041201	WASHER,SPRING	64		12				
8	36040590000	CYLINDER,AXLE	1						0001
9	37000532140	PLATE,SLIDE	16						
10	37000523990	PLATE,SLIDE	16						
11	37000114790	PIN	2						
12	80136332036	PIN,SPLIT	4		3.2X36				
13	44610524010	COVER	4						
14	90101208016	BOLT	16		M8X16				
15	90302040801	WASHER,SPRING	16		8				
16	37000519240	PLATE	32		T=1.0				
17	37000519250	PLATE	32		T=0.5				
18	90101212030	BOLT	32		M12X30				
19	44610524200	AXLE	1						
20	37000534330	PLATE	8						
21	90303501406	WASHER,PLAIN	24		14				

**AW-215-1-00202 3 BOOM,WHEEL TYPE
PR2150001-00 TIRE & WHEEL (SOLID)**

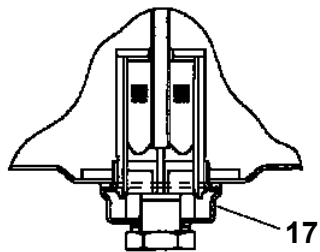
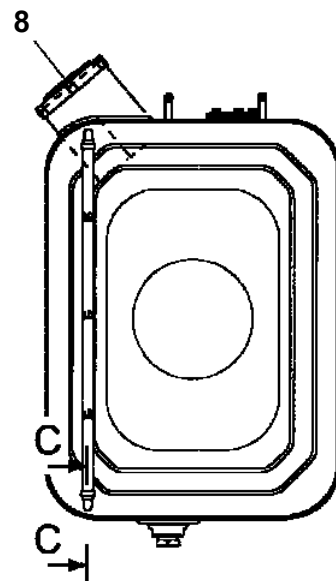
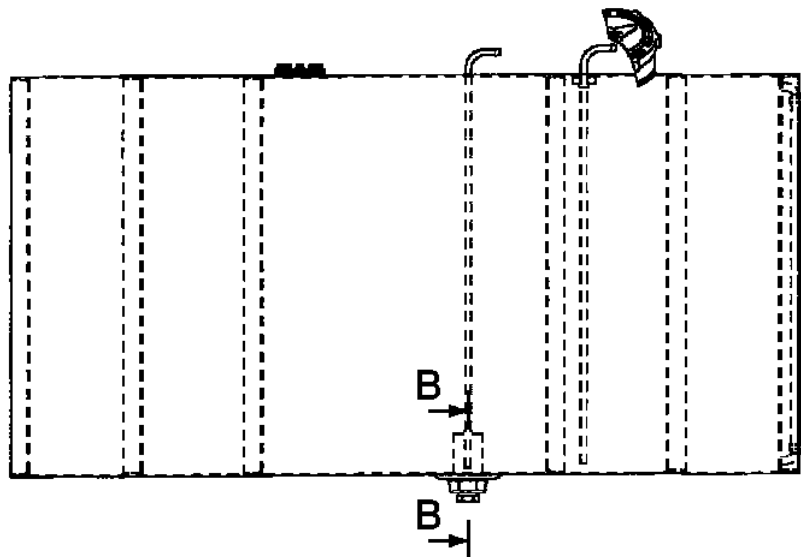


AW-215-1-00202 3 BOOM, WHEEL TYPE
PT5080002-00 TANK ASSY, FUEL

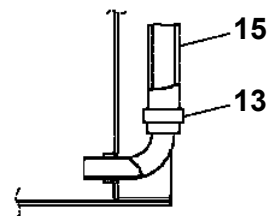
100



A - A

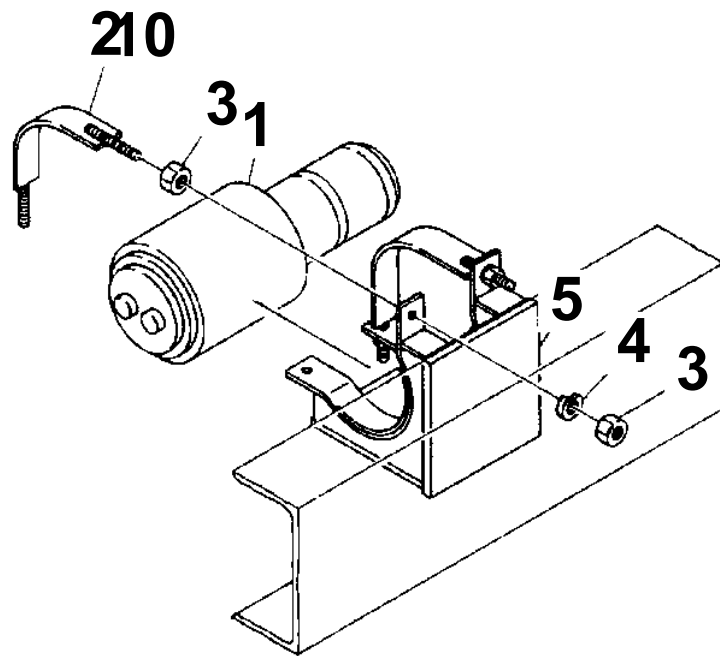


B - B



C - C

**AW-215-1-00202 3 BOOM, WHEEL TYPE
PX1220015-00 PUMP INSTALLATION (EMERGENCY)**



CLICK HERE TO **DOWNLOAD** THE COMPLETE MANUAL

- Thank you very much for reading the preview of the manual.
- You can download the complete manual from: www.heydownloads.com by clicking the link below



- Please note: If there is no response to CLICKING the link, please download this PDF first and then click on it.

CLICK HERE TO **DOWNLOAD** THE COMPLETE MANUAL