

## **AW-185-2-00201 3 BOOM,WHEEL TYPE**

**PB1000285-01 HYDRAULIC PRESSURE GENERATING SYSTEM**  
**PD1000268-00 SWING SYSTEM**  
**PE1000267-00 ELEVATING SYSTEM**  
**PG1000255-00 TELESCOPING SYSTEM**  
**PH1000242-00 SAFETY DEVICES**  
**PI1000293-01 HYDRAULIC DEVICES**  
**PJ3000051-00 PLATFORM SYSTEM**  
**PK1000276-00 FRAME**  
**PL1000274-01 CONTROL DEVICES**  
**PN1000224-00 ELECTRIC EQUIPMENT**  
**PO1000131-03 INDICATION PLATES**  
**PQ1000085-00 DRIVING POWER GENERATING SYSTEM**  
**PR2000012-00 AXLE SYSTEM**  
**PS1000072-00 STEERING SYSTEM**  
**PW1000040-01 ACCESSORIES & TOOLS**  
**PX1000285-00 MOUNTING PARTS**  
**PY1000247-01 OPTIONS**  
**ASSEMBLY**

CLICK HERE TO **DOWNLOAD** THE COMPLETE MANUAL

- Thank you very much for reading the preview of the manual.
- You can download the complete manual from: [www.heydownloads.com](http://www.heydownloads.com) by clicking the link below



- Please note: If there is no response to CLICKING the link, please download this PDF first and then click on it.

CLICK HERE TO **DOWNLOAD** THE COMPLETE MANUAL

# AW-185-2-00201 3 BOOM,WHEEL TYPE

Pos No.	Parts No	Parts Name	Qty	Unit	Technical Data	Serial No (Start)	Serial No (End)
1	(*****)	FOOT SWITCH(FLOOR MADE OF STEEL PLATES)	1				
2	(*****)	FOOT SWITCH(FLOOR MADE OF STEEL NETTING)	1				
3	(*****)	TOUCH SWITCH	1				

## AW-185-2-00201 3 BOOM,WHEEL TYPE

Pos No.	Parts No	Parts Name	Qty	Unit	Technical Data	Serial No (Start)	Serial No (End)	R
1	(*****)	ELEC.ASSY (SWING FRAME)	1					
2	(*****)	ELEC.ASSY (BOOM)	1					
3	(*****)	ELEC.ASSY (BASKET)	1					
4	(*****)	POWER SOURCE (UPPER/100V,10A)	1					
5	(*****)	POWER SOURCE (LOWER/100V,10A)	1					
6	(*****)	SWITCH PANEL	1					
7	(*****)	RELAY	1			415032		
	(*****)	RELAY	1				415031	
8	(*****)	BATTERY INSTALLATION	1					
9	(*****)	WIRING,MATERIALS	1					

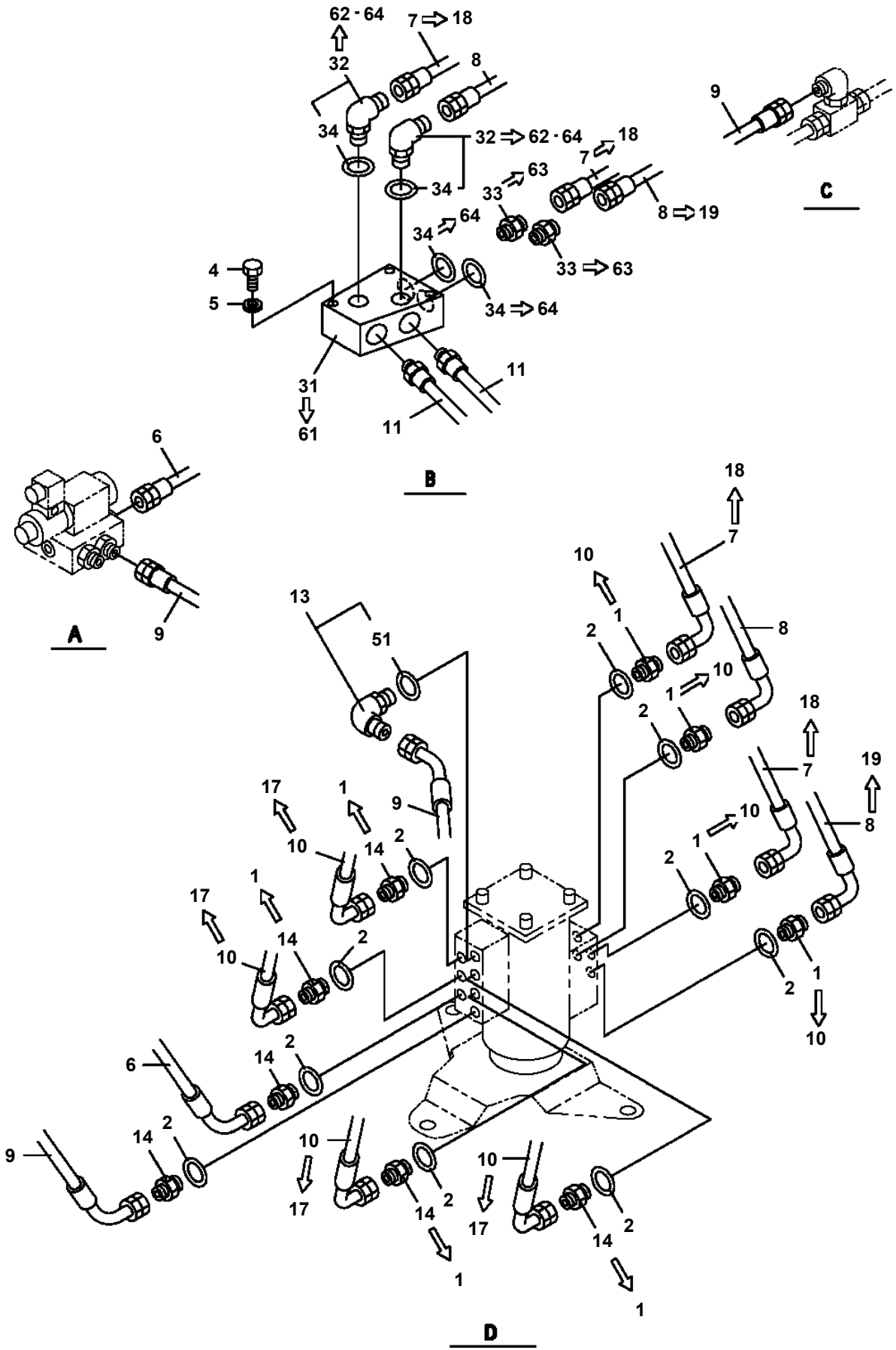
# AW-185-2-00201 3 BOOM,WHEEL TYPE

Pos No.	Parts No	Parts Name	Qty	Unit	Technical Data	Serial No (Start)	Serial No (End)	Rem
1	(*****)	ACCESSORIES (DOMESTIC STD.)	1					
2	(*****)	TOOLS	1					
3	(*****)	CHAIN (GUARD)	1					

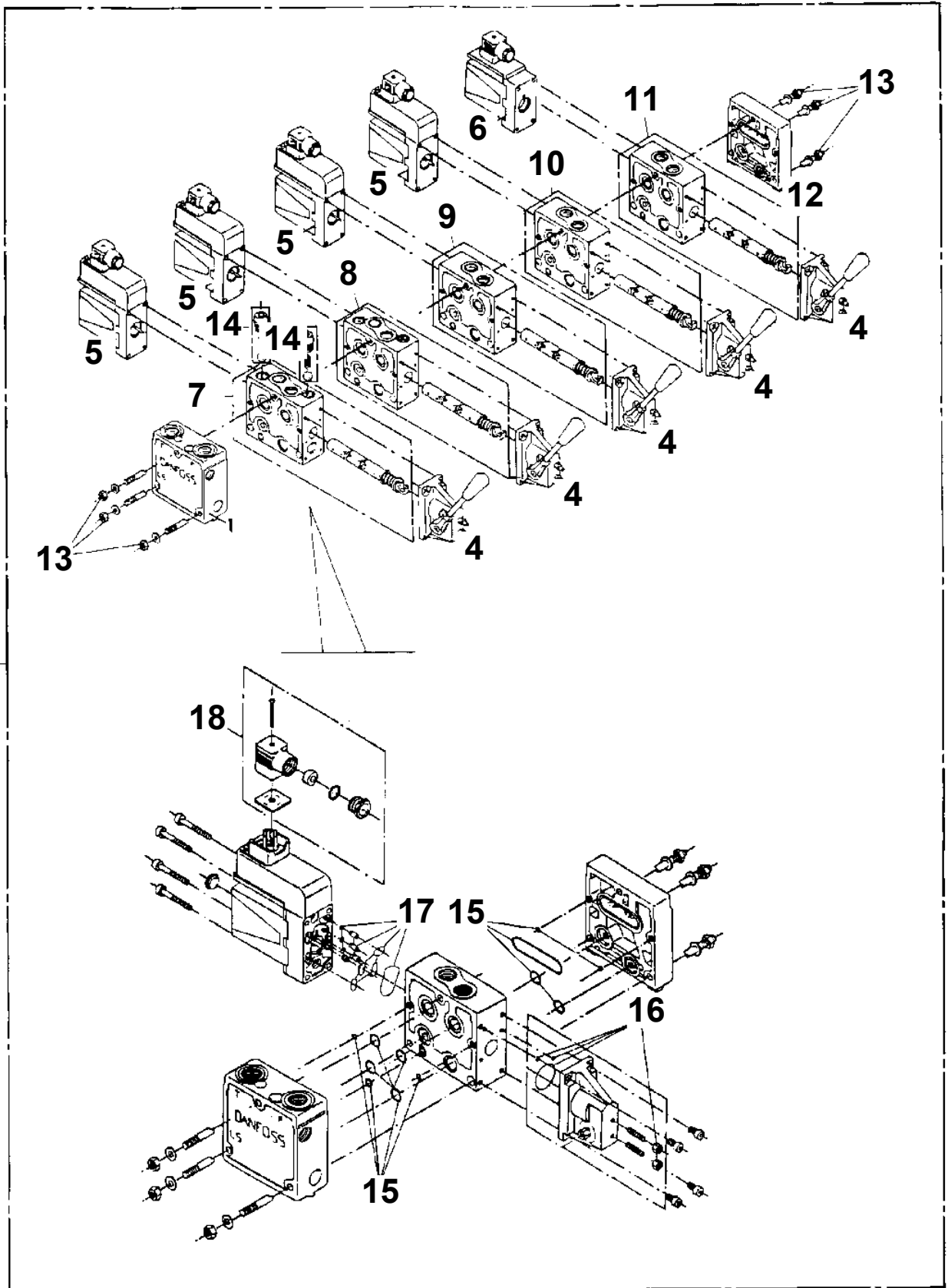
## AW-185-2-00201 3 BOOM,WHEEL TYPE

Pos No.	Parts No	Parts Name	Qty	Unit	Technical Data	Serial No (Start)	Serial No (End)	Remarks
9	36650845010	PLATE (A)	2					
10	36650845020	PLATE (B)	2					
11	36650115140	SEAL,SHAFT	4					
12	36651265010	COUPLING	1					
13	36651265020	BUSH	1					
16	36650115170	RING,SQUARE	2					
17	36651755010	SEAL,OIL	1					
18	36651595020	SEAL,POCKET (O-RING)	12					
19	80602110190	RING,RITAINING	1		R19			
20	80602110400	RING,RITAINING	1		R40			
25	36651595080	O-RING	1					
40	36652685010	PUMP ASSY (NO.1)	1					
50	36652685020	PUMP ASSY (NO.2)	1					
100	36652680000	PUMP,HYDRAULIC	1					

**AW-185-2-00201 3 BOOM, WHEEL TYPE  
PB1220182-01 PIPING, DELIVERY**

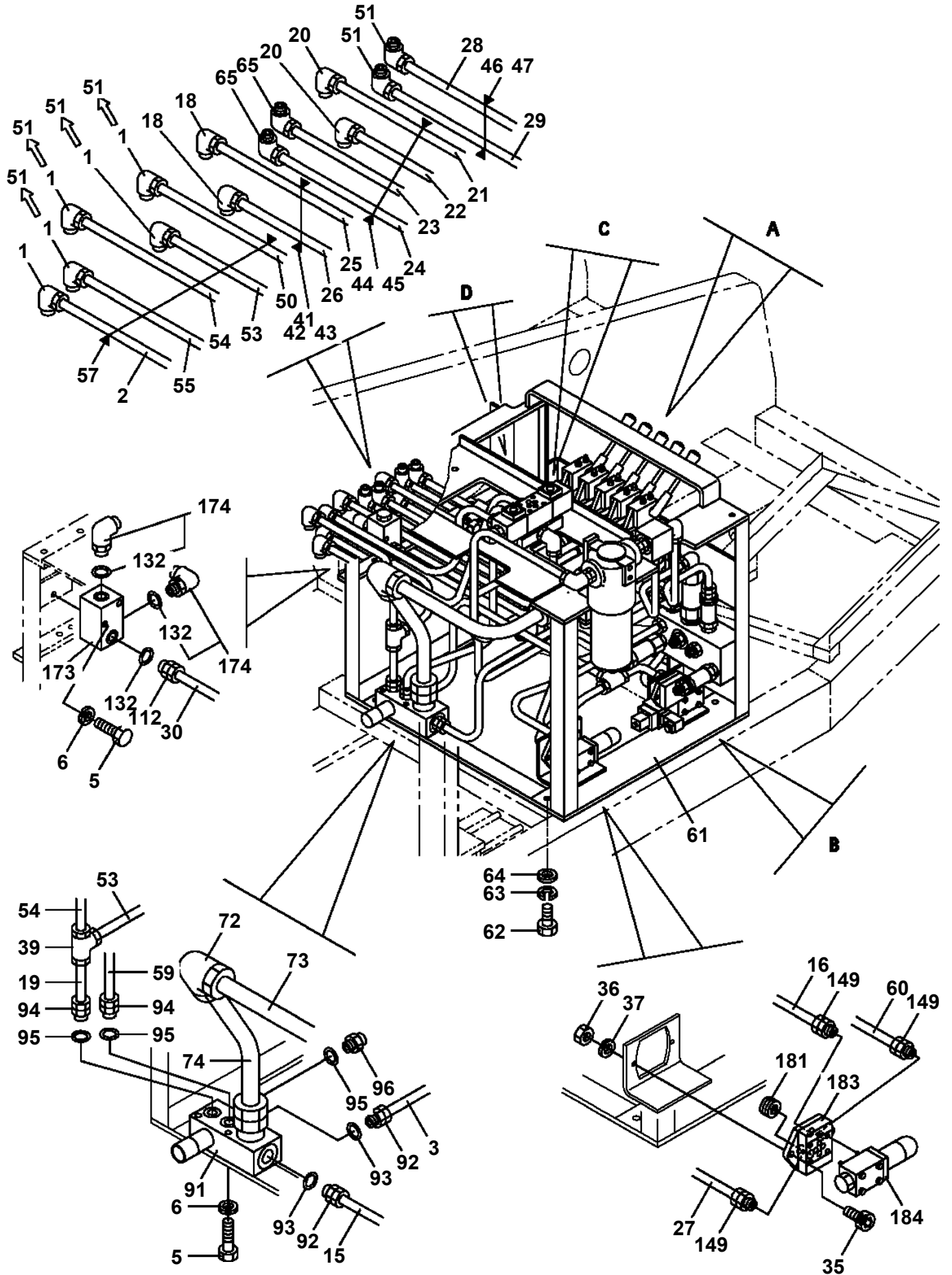


AW-185-2-00201 3 BOOM,WHEEL TYPE  
PB1320296-01 VALVE,MANUAL CONTROL

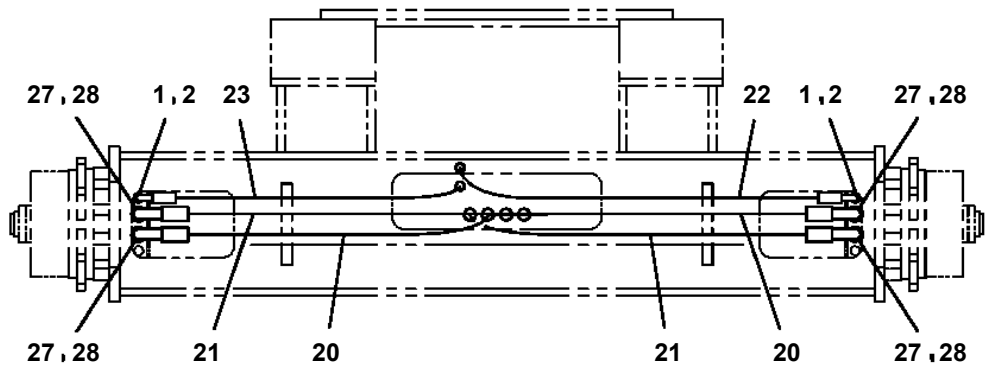
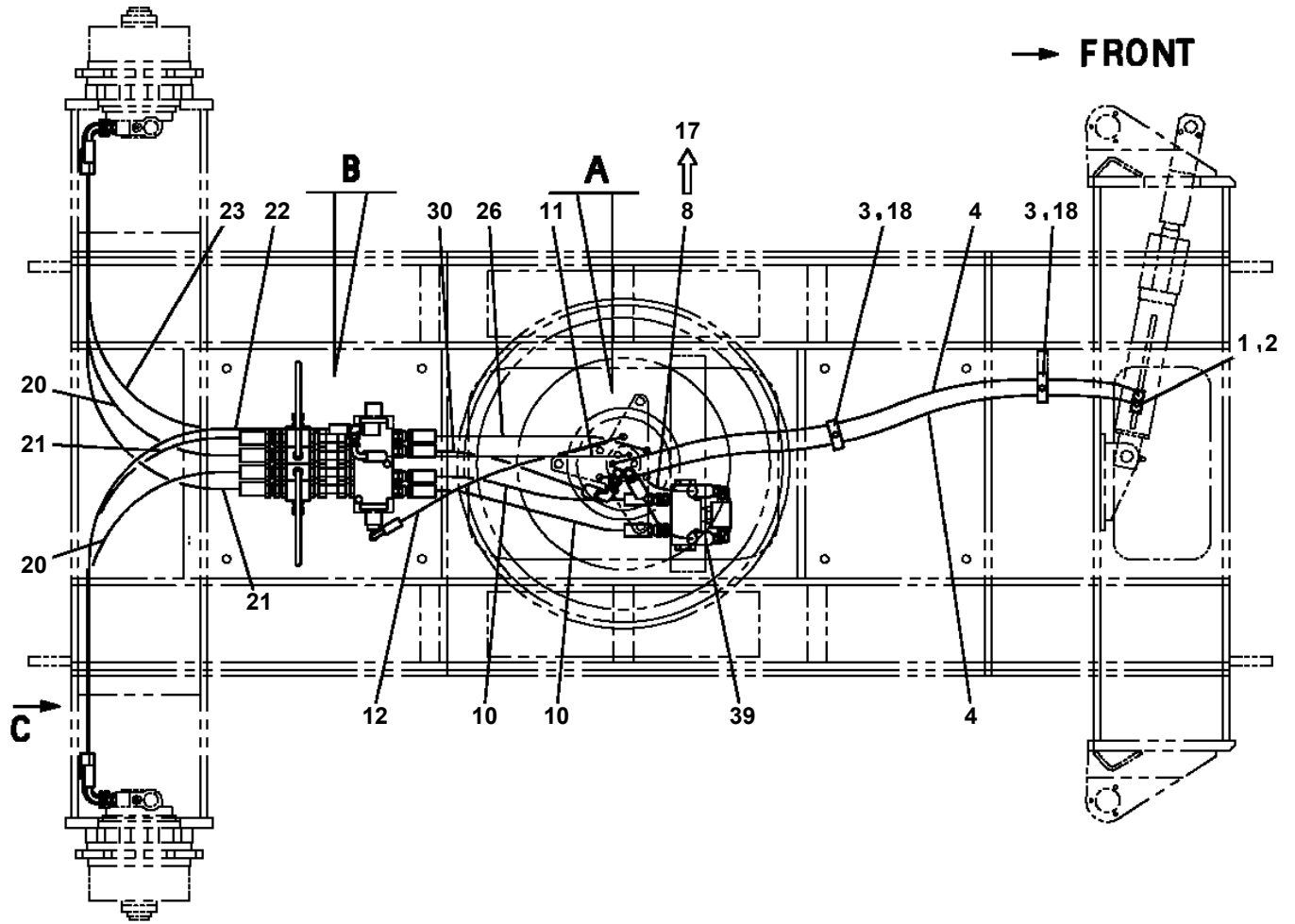


100

**AW-185-2-00201 3 BOOM, WHEEL TYPE  
PB1410555-04 PIPING, HYDRAULIC LOWER**

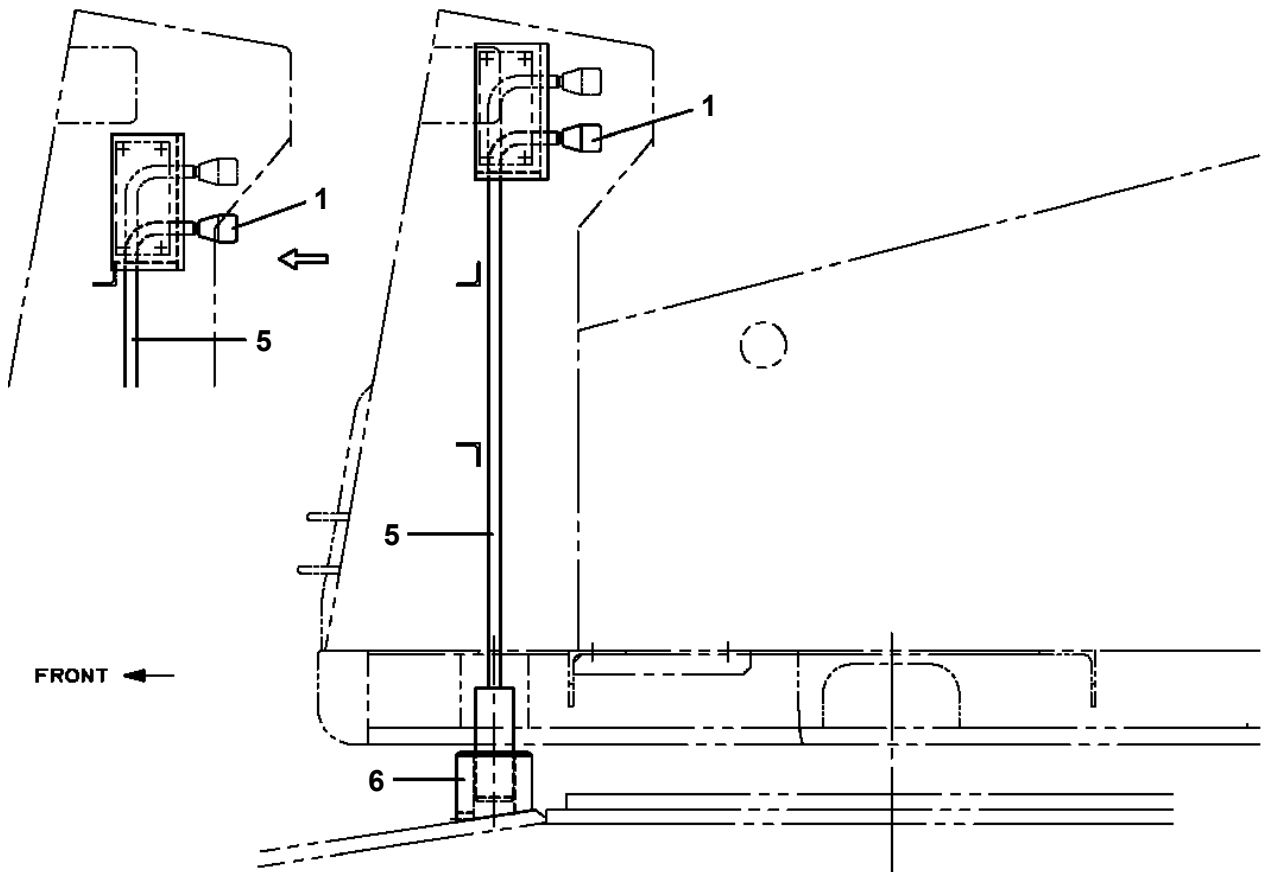
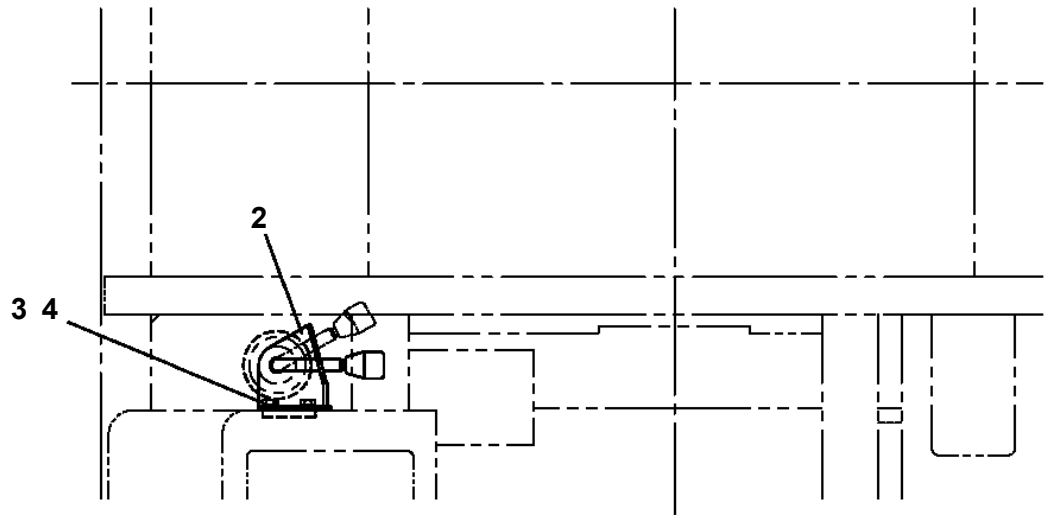
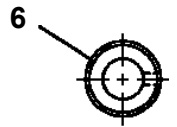


**AW-185-2-00201 3 BOOM, WHEEL TYPE  
PB1410557-03 PIPING, HYDRAULIC LOWER**



**C**

AW-185-2-00201 3 BOOM, WHEEL TYPE  
PD1140024-00 LOCK, SWING FRAME





# AW-185-2-00201 3 BOOM,WHEEL TYPE

Pos No.	Parts No	Parts Name	Qty	Unit	Technical Data	Serial No (Start)	Serial No (End)	Remarks	Page
53	82100001411	TUBE, SPIRAL	3	M	SE-08BK				
54	37000300750	SLEEVE	2		18-15				
55	80320020075	FITTING	2		KUF12-020N	415033			
56	80320020080	FITTING	2		KUF12-030N	415033			
61	91002801100	O-RING	2		1B P11		415032		

# AW-185-2-00201 3 BOOM,WHEEL TYPE

Pos No.	Parts No	Parts Name	Qty	Unit	Technical Data	Serial No (Start)	Serial No (End)	Remarks	Pages
100	44340563800	HARNESS	1						

## AW-185-2-00201 3 BOOM,WHEEL TYPE

Pos No.	Parts No	Parts Name	Qty	Unit	Technical Data	Serial No (Start)	Serial No (End)	Remarks
1	36642765070	PLUG	1					
2	36642765080	SPRING	2					
3	36642765050	O-RING	2					
4	36642765060	WASHER (CENTER)	2					
6	91000501200	O-RING	4					
8	36642765040	PACKING	1				415033	
10	36642775010	COIL,SOLENOID	1				415033	
11	36642765020	CORE ASSY (SOLENOID)	1				415033	
12	36642765010	NUT	1				415033	
13	91001102100	O-RING	1		1A P21		415033	
21	36643435030	NUT	1			415034		
22	91000501900	O-RING	1			415034		
23	36642765090	CORE ASSY (SOLENOID)	1			415034		
24	36645355010	COIL,SOLENOID	1			415034		
25	36643435070	PACKING	1			415034		
37	36643435040	PIN,SPRING	4			415034		
100	36645350000	VALVE,SOLENOID	1					

### AW-185-2-00201 3 BOOM,WHEEL TYPE

Pos No.	Parts No	Parts Name	Qty	Unit	Technical Data	Serial No (Start)	Serial No (End)	Remarks	Pages
1	36620571000	PLUG	1						
2	91002802600	O-RING	2		1B P26				
4	91411002000	RING,BACKUP	1		P20				
5	91002802000	O-RING	1		1B P20				
8	59155306000	SPRING	1						
9	36620575000	PLUG	1						
11	91002801800	O-RING	1		1B P18				
12	91002802400	O-RING	1		1B P24				
30	36621380000	VALVE,CHECK	1						

## AW-185-2-00201 3 BOOM,WHEEL TYPE

Pos No.	Parts No	Parts Name	Qty	Unit	Technical Data	Serial No (Start)	Serial No (End)	R
1	19116004000	COVER	1					
3	16265153000	CARTRIDGE, COUNTERBALANCE	1					
6	90131510025	BOLT,HEXAGON SOCKET	4		M10X25			
7	90302041001	WASHER,SPRING	4		10			
8	91002802400	O-RING	1		1B P24			
9	91002801000	O-RING	1		1B P10			
10	80316090020	PLUG	1		KKT PT1/8			
20	36601110001	VALVE,COUNTERBALANCE	1					

CLICK HERE TO **DOWNLOAD** THE COMPLETE MANUAL

- Thank you very much for reading the preview of the manual.
- You can download the complete manual from: [www.heydownloads.com](http://www.heydownloads.com) by clicking the link below



- Please note: If there is no response to CLICKING the link, please download this PDF first and then click on it.

CLICK HERE TO **DOWNLOAD** THE COMPLETE MANUAL

### AW-185-2-00201 3 BOOM,WHEEL TYPE

Pos No.	Parts No	Parts Name	Qty	Unit	Technical Data	Serial No (Start)	Serial No (End)	Remarks	Pages
2	36672055020	CASE (LOWER)	1						
8	91002908000	O-RING	1		1B G80				
9	91001103200	O-RING	2		1A P32				
10	91002801100	O-RING	1		1B P11				
11	91002801800	O-RING	1		1B P18				
12	91001101400	O-RING	1		1A P14				
13	91410108000	RING,BACKUP	1		T3 G80				
21	36672055030	ELEMENT KIT	1						
30	36672050000	FILTER,OIL	1						

# AW-185-2-00201 3 BOOM,WHEEL TYPE

Pos No.	Parts No	Parts Name	Qty	Unit	Technical Data	Serial No (Start)	Serial No (End)	Remarks
1	36051340000	CYLINDER,BASKET SWING	1					
2	36624110000	VALVE,CHECK	1				415032	
3	90101510050	BOLT	4		M10X50			
4	90302041001	WASHER,SPRING	12		10	415036		
	90302041001	WASHER,SPRING	4		10		415035	
5	44260331050	U-BOLT	2					
6	90201201000	NUT	8		M10			
7	90101208012	BOLT	10		M8X12	415032		
	90101208012	BOLT	6		M8X12		415031	
8	90302040801	WASHER,SPRING	10		8	415032		
	90302040801	WASHER,SPRING	6		8		415031	
9	37000553000	PLATE	6					
10	80172805010	SCREW,MACHINE	6		M5X10		415031	
11	90302510501	WASHER,SPRING	6		5		415031	
12	90303520501	WASHER,PLAIN	6		5		415031	
13	44260331100	COVER	1				415031	
14	44260331150	GUARD	1				415035	
	44260910100	GUARD	1			415036		
15	44260331200	COVER	1				415031	
	44330180100	COVER	1			415032	415032	
16	90190208016	BOLT	4		M8X16		415031	
17	44260331300	COVER	1					
18	42341110500	ORIFICE	2			415033		
22	44260421000	BASKET	1					
23	90303071201	WASHER,PLAIN	8		12			
24	90236201200	NUT,CASTLE	4		2H M12			
25	37001506690	BOLT	4		M12X75			
26	44260961000	FRAME ASSY	1			415036		
	44260591000	FRAME	1				415035	
27	44260331801	POST	1					
29	37000154570	PIN	1					
30	90101210016	BOLT	12		M10X16	415036		
	90101210016	BOLT	4		M10X16		415035	
31	37000154590	PIN	1					
33	37000154580	PIN	1					
37	37000153170	PIN	1					
38	90303073001	WASHER,PLAIN	2		30			
39	80136363063	PIN,SPLIT	2		6.3X63			
40	37000553290	PLATE	2					
41	37000553300	PLATE	2					
42	90302510801	WASHER,SPRING (8)	4				415031	
43	90303520801	WASHER,PLAIN	4		8		415031	
44	37000154600	PIN	2					
45	37000517620	PLATE	2					
46	37000553310	PLATE	2					
47	90101208065	BOLT	1		M8X65			
48	90201200800	NUT	1		M8			
49	80136332025	PIN,SPLIT	4		3.2X25			
50	37000554050	PLATE	2					
51	90101208018	BOLT	4		M8X18			
53	44260331110	SHIM	4					
54	44260540500	COVER	1			415033		
55	36624560000	VALVE,CHECK	1			415033		
78	37000401780	BEARING,PLAIN	1					
79	80801003540	BEARING,PLAIN	2					
83	90101206010	BOLT	7		M6X1.0			
84	90302040601	WASHER,SPRING	7		6			
85	44260421040	PLATE	1					
86	44260421060	PLATE	1					
87	37001506970	BOLT,BUTTON	12					
88	90302041001	WASHER,SPRING	12		10			
89	42261743480	GROMMET	4					
90	44260332180	COVER	1					

**AW-185-2-00201 3 BOOM,WHEEL TYPE**

Pos No.	Parts No	Parts Name	Qty	Unit	Technical Data	Serial No (Start)	Serial No (End)	Remarks	Pag
1	90102208014	BOLT	4		M8X14				
2	90302040801	WASHER,SPRING	6		8				
3	31630715010	HARNES	1						
4	91531208000	PACKING	2						
5	31630415031	BODY	1						
6	31630415040	CORE ASSY	1						
7	91100308000	RING,SEAL	11						
8	90303070801	WASHER,PLAIN	4		8				
9	90180208016	BOLT,BUTTON	2		M8X16				
10	80316090020	PLUG	6		KKT PT1/8				
100	31630710001	JOINT ASSY,SWIVEL	1						

# AW-185-2-00201 3 BOOM,WHEEL TYPE

Pos No.	Parts No	Parts Name	Qty	Unit	Technical Data	Serial No (Start)	Serial No (End)	Remarks	Page
2	44270602001	COVER ASSY	1			415033			
	44270602000	COVER ASSY	1				415032		
3	44270603000	COVER ASSY	1						
4	44270604001	COVER ASSY	1			415032			
	44270604000	COVER ASSY	1				415031		
5	44270515000	COVER	1						
6	37000118090	PIN	4						
7	80136320014	PIN,SPLIT	4		2X14				
8	82440103040	GAS SPRING	2			415034			
	82440103001	GAS SPRING	2				415033		
9	44270516000	SUPPORT	2						
10	90101210020	BOLT	4		M10X20	415033			
	90101210030	BOLT	4		M10X30		415032		
11	90302041001	WASHER,SPRING	29		10				
12	90303071001	WASHER,PLAIN	4		10		415032		
	90303071001	WASHER,PLAIN	29		10	415033			
13	90201201000	NUT	4		M10				
14	90101210025	BOLT	25		M10X25				
15	37000536290	PLATE	25				415032		
16	91803600700	CLIP	1		D=55-70				
17	44270516100	PIPE	1						
18	89632901000	HOSE,VINYL	1		50X58,1M				
19	90101208012	BOLT	4		M8X12				
20	90302040801	WASHER,SPRING	8		8				
21	90303070801	WASHER,PLAIN	8		8				
22	44270601010	SUPPORT	2						
23	90101508020	BOLT	4		M8X20				
24	82400000316	INSULATOR	2			415021			
25	80172303010	SCREW,MACHINE	2		M3X10	415021			
31	44270602100	COVER	1				415032		
32	44270602300	COVER	1						
33	82460084501	LEVER	1			415034			
	82460015501	LEVER	1				415033		
34	82460084502	LEVER	1			415034			
	82460015502	LEVER	1				415033		
35	90302040401	WASHER,SPRING	24		4		415031		
	90302040401	WASHER,SPRING	8		4				
36	80172304010	SCREW,MACHINE	8		M4X10				
	80172304010	SCREW,MACHINE	12		M4X10		415031		
37	44270602010	CUSHION	1				415032		
38	90302040601	WASHER,SPRING	4		6				
39	90201400600	NUT	4		M6				
40	82466117500	LOCK	2						
51	44270603100	COVER	1						
52	44270513550	COVER	1						
53	44270609520	COVER ASSY	1						
54	44270609580	COVER ASSY	1				415032		
	44270609581	COVER ASSY	1			415033			
55	44270759520	COVER ASSY	1			415032			
	44270609510	COVER ASSY	1				415031		
56	90101210020	BOLT	8		M10X20				
57	90302041001	WASHER,SPRING	10		10				
58	82400000366	INSULATOR	2						
59	80172305020	SCREW,MACHINE	2		M5X20				
60	90201200500	NUT	2		M5				
61	90302040501	WASHER,SPRING	4		5		415032		
	90302040501	WASHER,SPRING	4		5	415033			
	90302040501	WASHER,SPRING	8		5		415031		
	90302040501	WASHER,SPRING	16		5	415032			
	90302040501	WASHER,SPRING	6		5				
62	80172305014	SCREW,MACHINE	4		M5X14				
	80172305014	SCREW,MACHINE	16		M5X14	415032			
	80172305014	SCREW,MACHINE	8		M5X14		415031		

## AW-185-2-00201 3 BOOM,WHEEL TYPE

Pos No.	Parts No	Parts Name	Qty	Unit	Technical Data	Serial No (Start)	Serial No (End)	Remarks	Page
1	36660025000	SHAFT	1						
3	80500006206	BEARING,BALL	1						
4	36660025021	COVER (OIL SEAL)	1						
5	36660025140	SEAL,OIL	1						
6	36663485110	RING,RETAINING	1		R72				
7	80720110020	PIN,SPRING	1		10X20				
8	36660025030	PLATE (CAM)	1						
9	80500006203	BEARING,BALL	1						
10	36660025040	O-RING	1		S112				
11	36660025051	COVER (BOTTOM)	1						
12	18335116540	WASHER,SPRING	6		M10				
13	90171110035	BOLT	6		M10X35				
16	14125151020	KEY	1						
17	91001206500	O-RING	1		1A G65				
18	80316030040	PLUG	1		PT1/4				
19	36660125050	PLUG	1		PT1/4				
20	36660025060	BARREL,CYLINDER	1						
21	36660125060	PLUG	2		PF3/8				
43	36660025090	SEAT,SPRING	5						
44	36660025100	SPRING (PLUNGER)	5						
46	12645103171	SPRING (CENTER)	1						
47	14125151300	RING,RETAINING	1						
100	36660020000	MOTOR,OIL	1						

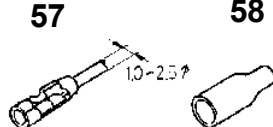
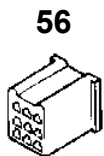
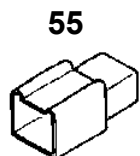
# AW-185-2-00201 3 BOOM,WHEEL TYPE

Pos No.	Parts No	Parts Name	Qty	Unit	Technical Data	Serial No (Start)	Serial No (End)	Remarks	Pages
1	80175805020	SCREW,MACHINE	8		M5X20				
2	82100002135	CONNECTOR	2						
3	44430260010	COVER	2						
4	44430501100	HARNESS	2						
5	91810130230	FASTENER	6						
6	44430501200	HARNESS	1						

### AW-185-2-00201 3 BOOM,WHEEL TYPE

Pos No.	Parts No	Parts Name	Qty	Unit	Technical Data	Serial No (Start)	Serial No (End)	Remarks	Pages
1	90101206010	BOLT	13		M6X1.0				
2	90302040601	WASHER,SPRING	21		6				
3	82100001742	RELAY	1						
4	44430012702	SUPPORT	1						
5	44430692101	HARNESS	1						
6	80182308012	SCREW,MACHINE	2		M8X12				
7	90302040801	WASHER,SPRING	2		8				
8	82100001811	RELAY	1						
9	44430012600	COVER	1						
10	44430692010	CABLE	1						
11	44430692020	CABLE	1						
12	37002704240	CABLE ASSY	1						
13	44430692030	CABLE	1						
14	44430012580	CABLE	1						
15	44430012590	CABLE	1						
16	90201200600	NUT	2		M6				
17	90303070601	WASHER,PLAIN	2		6				
18	91810130250	FASTENER	10						
19	80182306010	SCREW,MACHINE	6		M6X10				
20	44430513200	HARNESS	1						
21	44430251210	HARNESS	1		L=140				
22	80182306014	SCREW,MACHINE	1		M6X14				
23	82100002596	RELAY	1						
24	80172304016	SCREW,MACHINE	2		M4X16				
25	90303070401	WASHER,PLAIN	2		4				
26	90302040401	WASHER,SPRING	2		4				
27	90201200400	NUT	2		M4				
28	82193101010	TIMER	1						
29	44430692200	HARNESS	1						
30	82199603010	SUPPORT	2						
41	34690030800	INSULATOR	1						
51	44430460100	RELAY (HEATER)	1						
52	44430460200	RELAY (SAFETY)	1						
73	82100000638	DIODE	1						

**AW-185-2-00201 3 BOOM,WHEEL TYPE  
PN1400011-00 WIRING,MATERIALS**



**58**

**59**  
Key No.41とNo.47  
のセット部品  
Key No.41 and No.47  
assembled

**60**  
Key No.42とNo.48  
のセット部品  
Key No.42 and No.48  
assembled

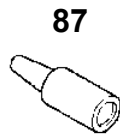
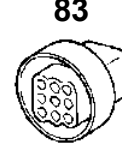
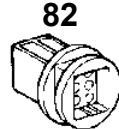
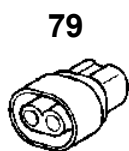
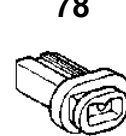
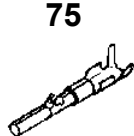
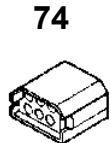
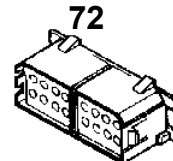
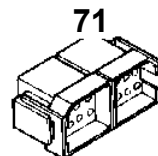
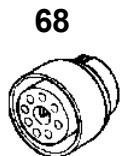
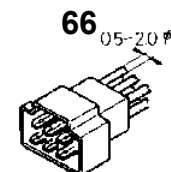
**61**  
Key No.41とNo.45  
のセット部品  
Key No.41 and No.45  
assembled

**62**  
Key No.42とNo.46  
のセット部品  
Key No.42 and No.46  
assembled

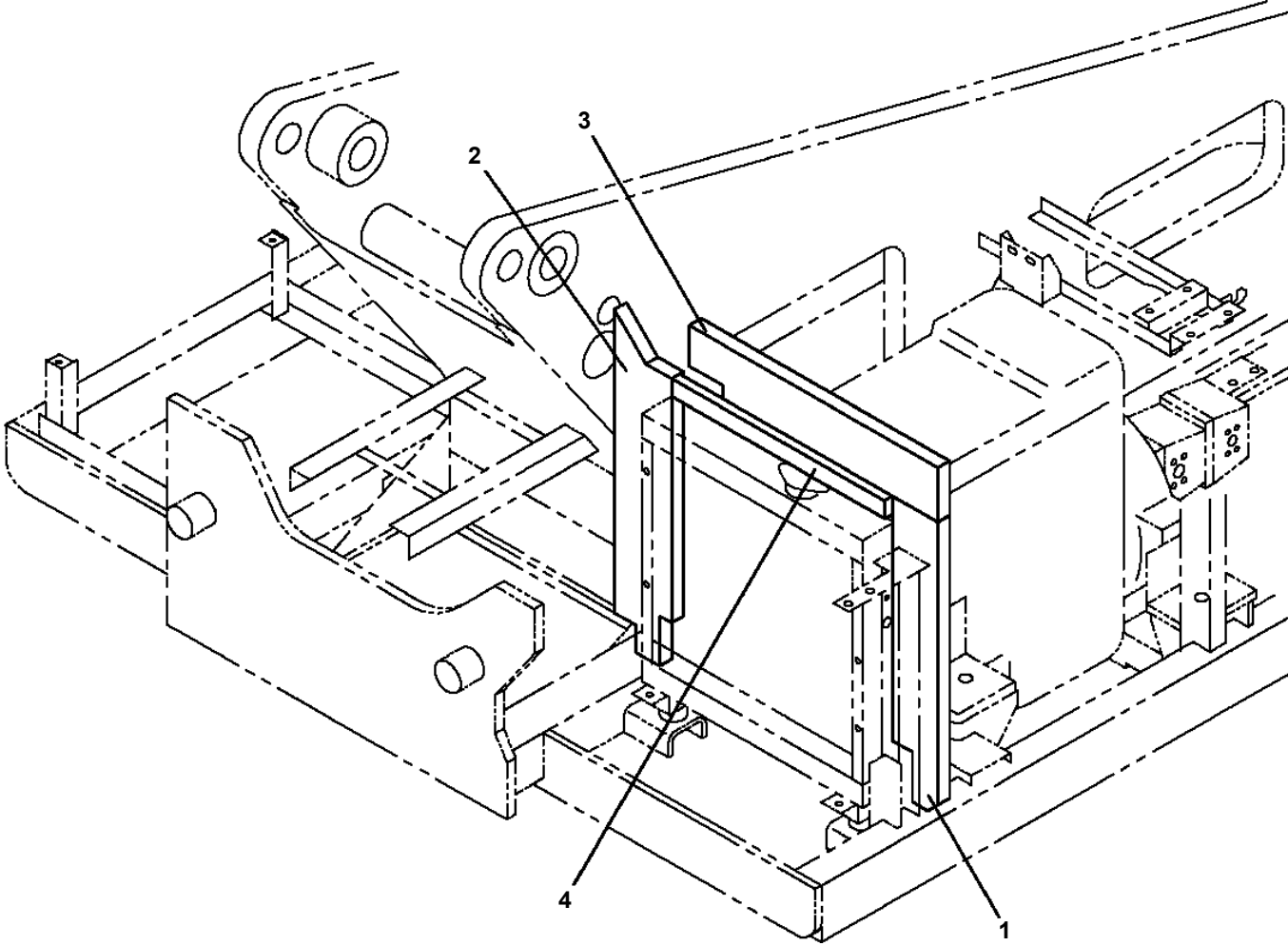
**63**  
Key No.41とNo.43  
のセット部品  
Key No.41 and No.43  
assembled

**64**  
Key No.42とNo.44  
のセット部品  
Key No.42 and No.44  
assembled

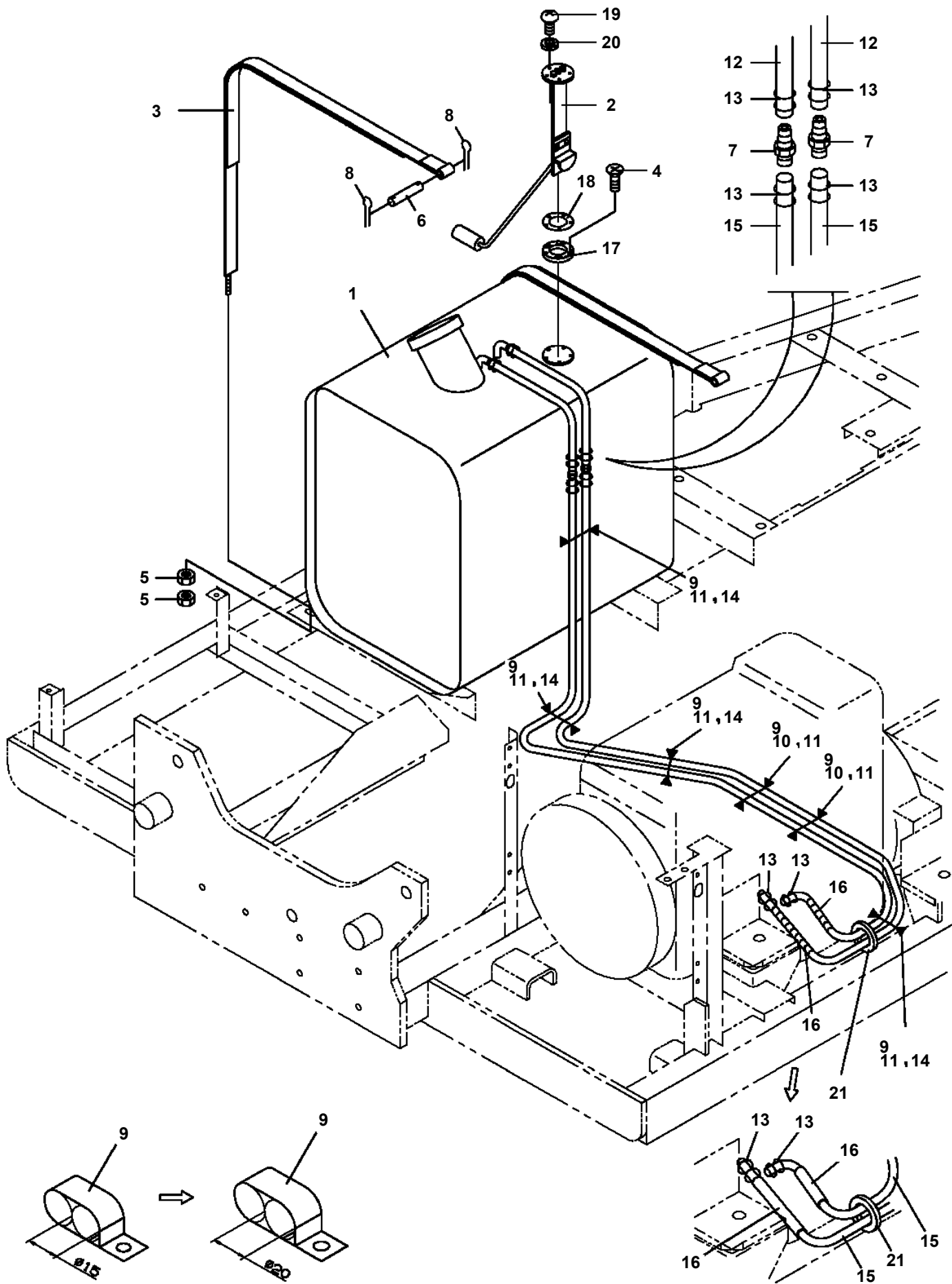
**65**  
Key No.38とNo.39  
のセット部品  
Key No.38 and No.39  
assembled



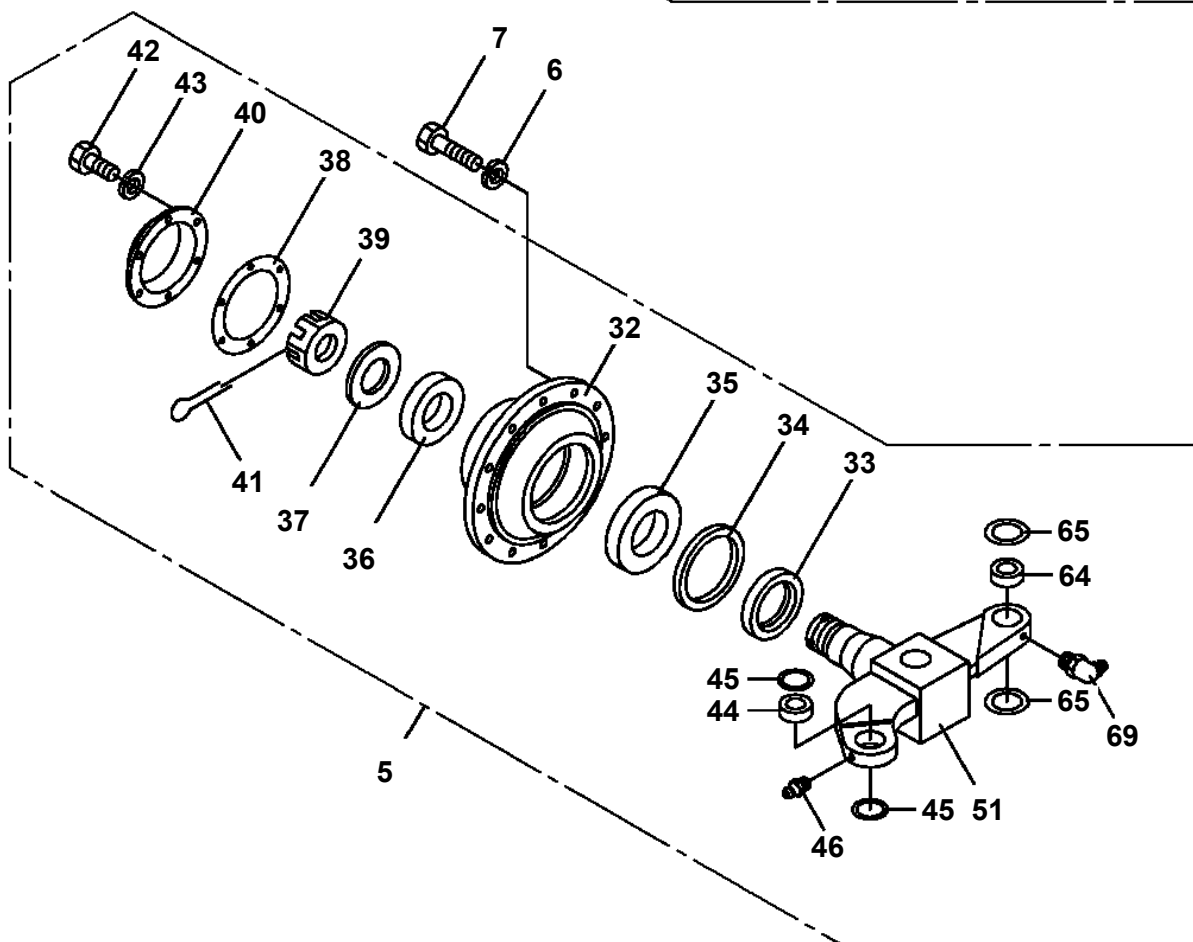
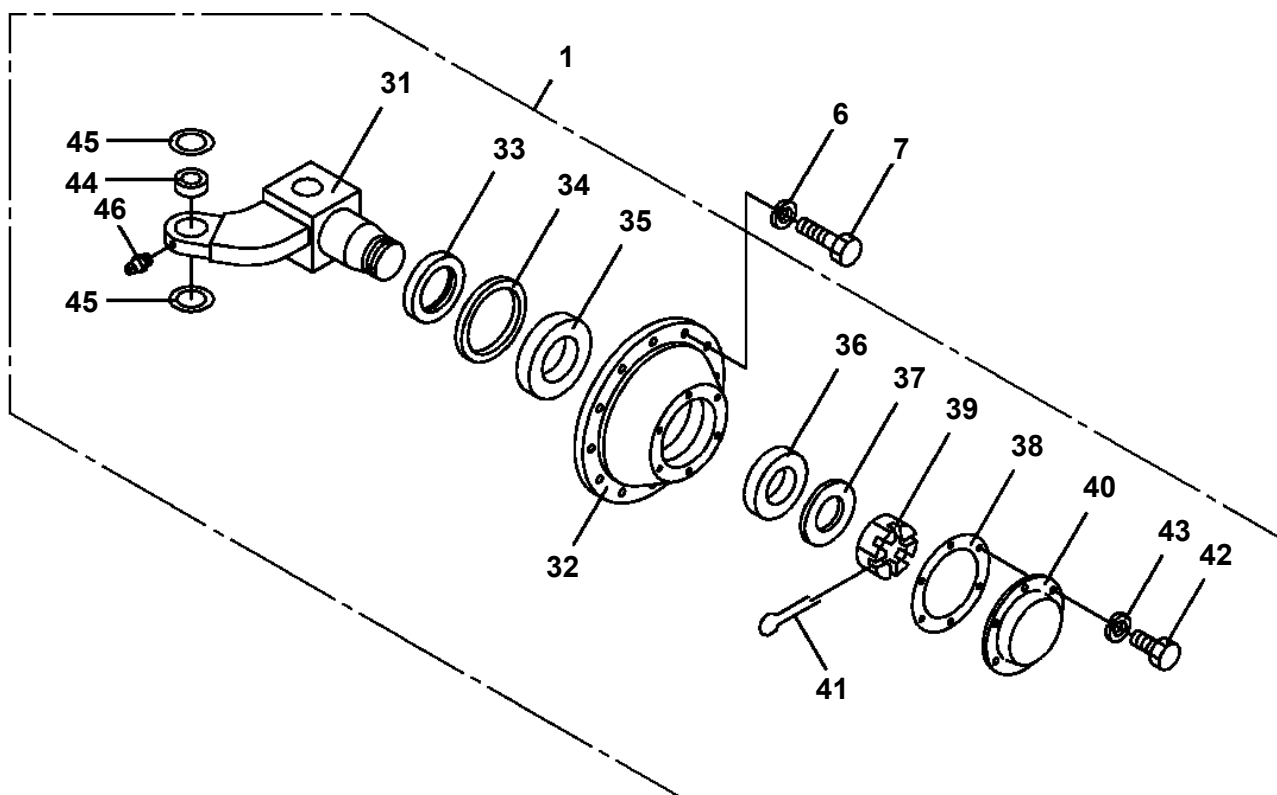
**AW-185-2-00201 3 BOOM, WHEEL TYPE  
PQ1020042-00 RADIATOR INSTALLATION (COVER)**



**AW-185-2-00201 3 BOOM, WHEEL TYPE  
PQ1090054-01 TANK, FUEL INSTALLATION**



AW-185-2-00201 3 BOOM,WHEEL TYPE  
PR2010028-01 AXLE



### AW-185-2-00201 3 BOOM,WHEEL TYPE

Pos No.	Parts No	Parts Name	Qty	Unit	Technical Data	Serial No (Start)	Serial No (End)	Remarks	Pa
1	44720171000	ROD ASSY	1						
2	36062350000	CYLINDER,STEERING	1						
3	90101510016	BOLT	8		M10X16				000
4	37000558540	PLATE	4						
5	37000558550	PLATE	4						
6	44720170010	PIN	2						
7	44720170020	PIN	2						
8	37000303950	SPACER	4		L=3.5				
9	37000302190	SPACER	4						
21	44720171100	END	1						
22	90209203900	NUT	1						
24	90295203900	NUT	1						
25	44720171300	END	1						

## AW-185-2-00201 3 BOOM,WHEEL TYPE

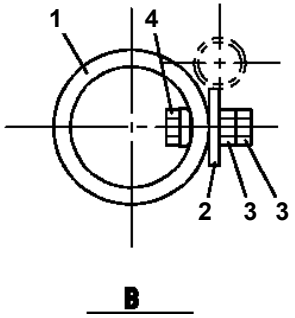
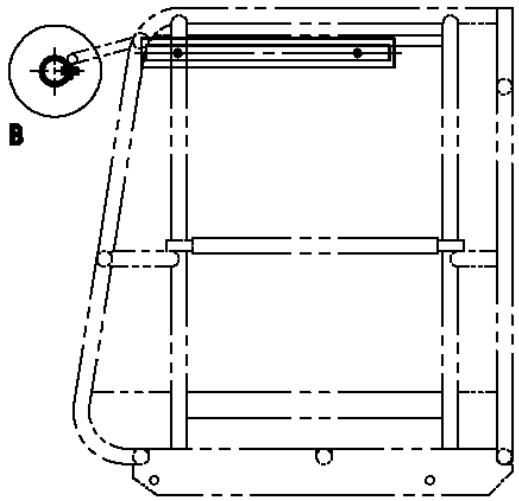
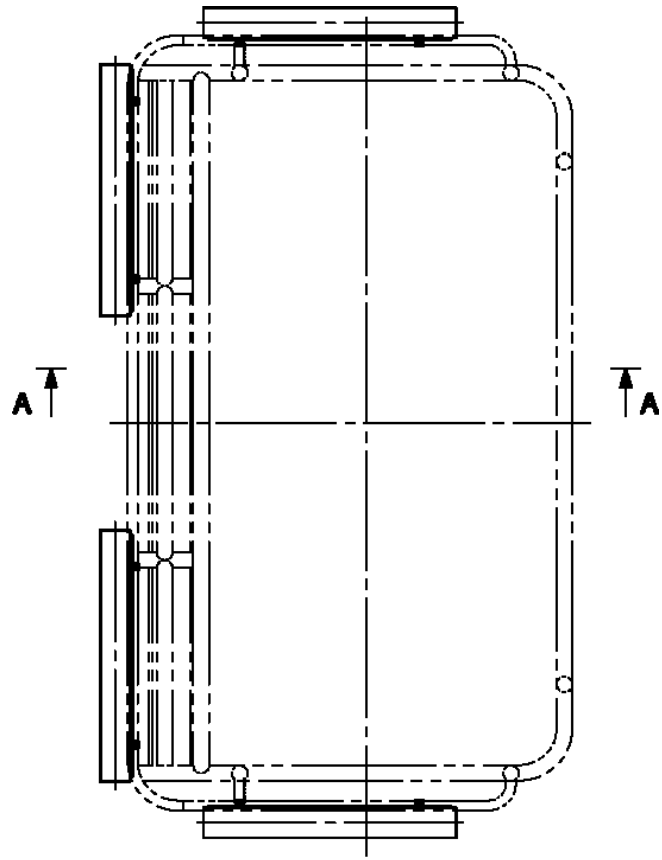
Pos No.	Parts No	Parts Name	Qty	Unit	Technical Data	Serial No (Start)	Serial No (End)	Remarks	Pages
1	44471210100	CHAIN	1						
2	44471210010	SUPPORT	2						

# AW-185-2-00201 3 BOOM,WHEEL TYPE

Pos No.	Parts No	Parts Name	Qty	Unit	Technical Data	Serial No (Start)	Serial No (End)	Remarks	Pages
1	42460021000	BELT,SAFETY	1						



**AW-185-2-00201 3 BOOM,WHEEL TYPE  
PY1700012-00 GUARD,BASKET (PROTECTOR)**



CLICK HERE TO **DOWNLOAD** THE COMPLETE MANUAL

- Thank you very much for reading the preview of the manual.
- You can download the complete manual from: [www.heydownloads.com](http://www.heydownloads.com) by clicking the link below



- Please note: If there is no response to CLICKING the link, please download this PDF first and then click on it.

CLICK HERE TO **DOWNLOAD** THE COMPLETE MANUAL