

AT-81-1 42040110600 LOWER,NISSAN KK-AKR66EA
PX1000576-00 MOUNTING PARTS
ASSEMBLY

CLICK HERE TO **DOWNLOAD** THE COMPLETE MANUAL

- Thank you very much for reading the preview of the manual.
- You can download the complete manual from: www.heydownloads.com by clicking the link below



- Please note: If there is no response to CLICKING the link, please download this PDF first and then click on it.

CLICK HERE TO **DOWNLOAD** THE COMPLETE MANUAL

AT-81-1 42040110600 LOWER,NISSAN KK-AKR66EA

Pos No.	Parts No	Parts Name	Qty	Unit	Technical Data	Serial No (Start)	Serial No (End)	Remarks
1	36620140000	VALVE,PILOT CHECK	2					
2	90131510035	BOLT,HEXAGON SOCKET	4		M10X35			
3	37000116730	PIN	2					
4	80136380050	PIN,SPLIT	4		8X50			
5	36030730000	CYLINDER,JACK	2					
6	42610670010	SUPPORT	2					
7	90101510025	BOLT	12		M10X25			
8	90302041001	WASHER,SPRING	12		10			
9	42610090100	PLATE	4					
10	42610670100	FLOAT	2					
11	90101512040	BOLT	8		M12X40			
12	90201201200	NUT	8		M12			
13	90302041201	WASHER,SPRING	8		12			
15	90101204035	BOLT	4		M4X35			
16	90303070401	WASHER,PLAIN	8		4			
17	90201200400	NUT	4		M4			
18	90302040401	WASHER,SPRING	4		4			
19	82104502010	SWITCH,LIMIT	2					

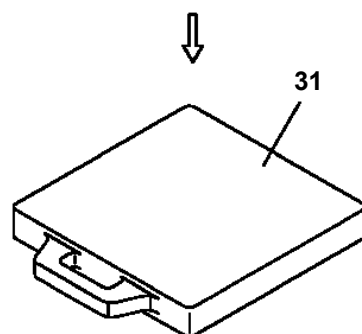
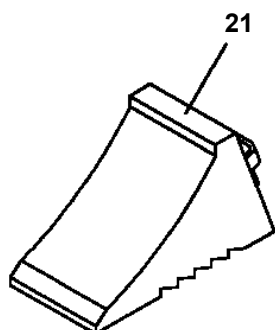
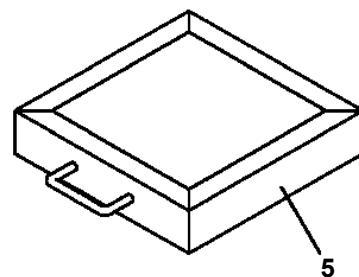
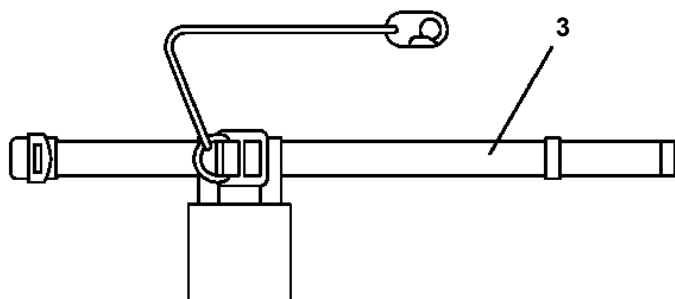
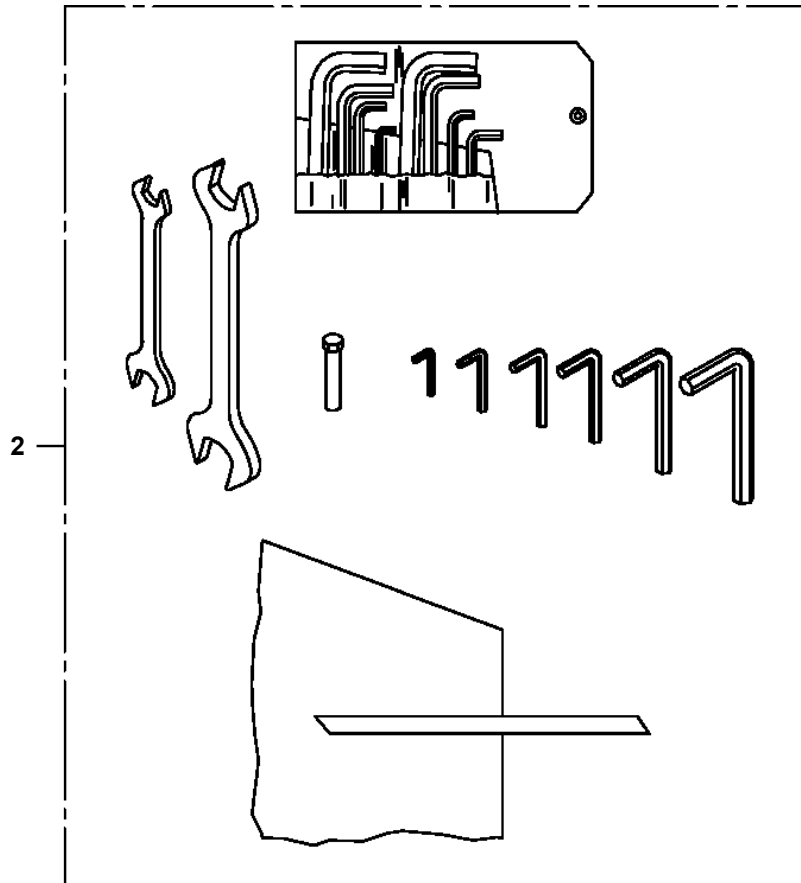
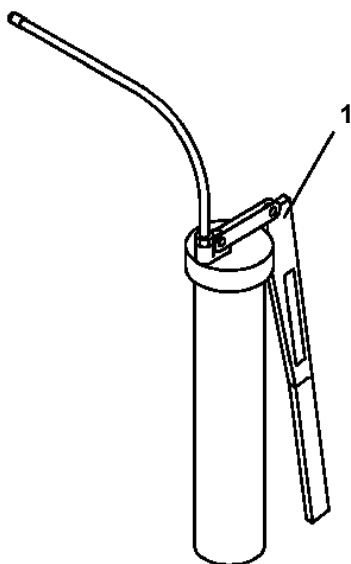
AT-81-1 42040110600 LOWER,NISSAN KK-AKR66EA

Pos No.	Parts No	Parts Name	Qty	Unit	Technical Data	Serial No (Start)	Serial No (End)	Remarks	Pa
2	91002801400	O-RING	2		1B P14				
8	91002800700	O-RING	3		1B P7				
9	36620140000	VALVE,PILOT CHECK	1						

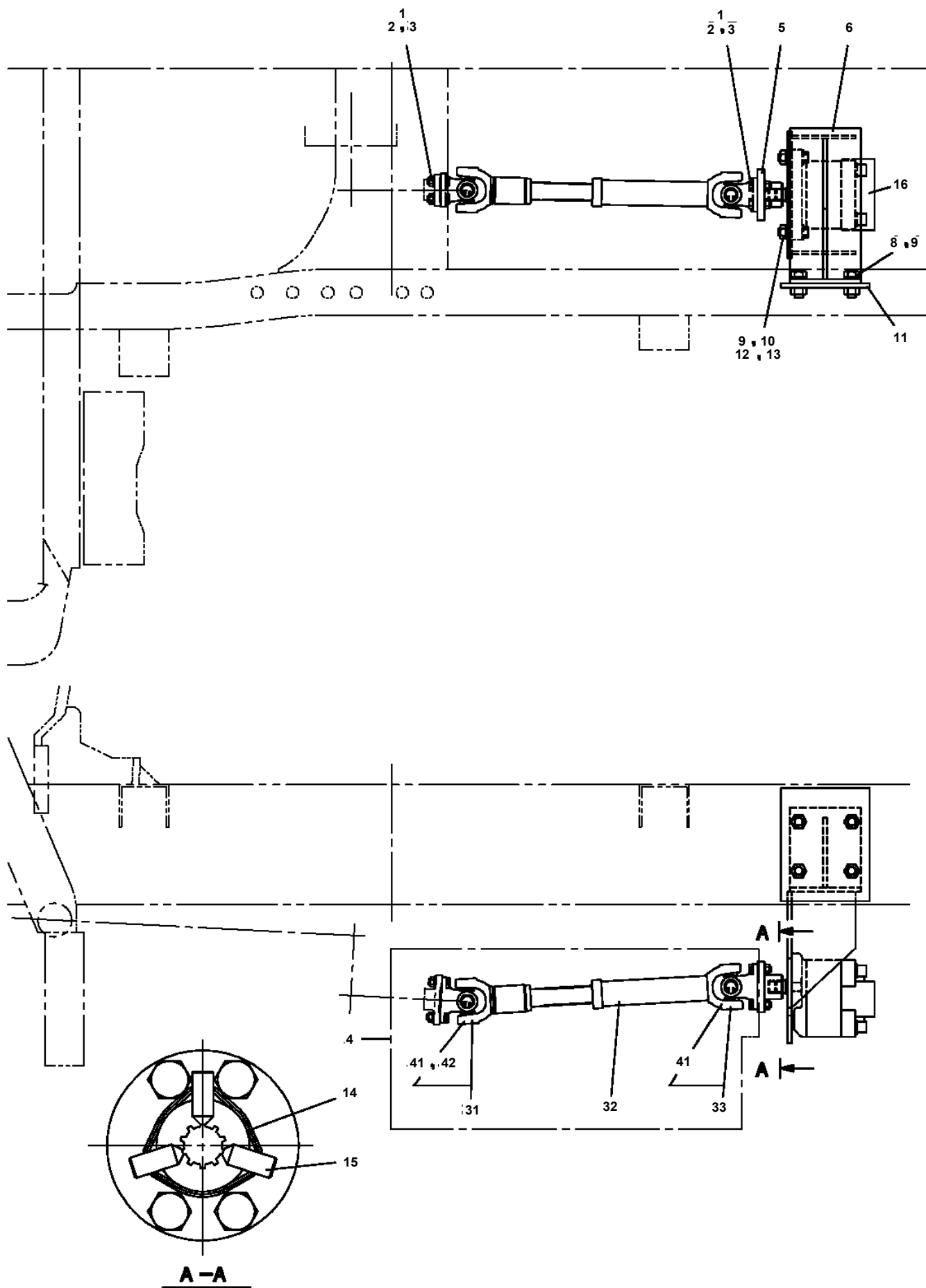
AT-81-1 42040110600 LOWER,NISSAN KK-AKR66EA

Pos No.	Parts No	Parts Name	Qty	Unit	Technical Data	Serial No (Start)	Serial No (End)
2	42805362000	RELAY ASSY	1				
3	37000563680	SUPPORT	1				
4	90101208020	BOLT	4		M8X20		
5	90302040801	WASHER,SPRING	18		8		
6	82100002019	CLAMP	4		WR40		
7	90201200800	NUT	5		M8		
8	90101208014	BOLT	8		M8X14		
9	90303070801	WASHER,PLAIN	4		8		
10	91810130240	FASTENER	10				
11	42805680100	SUPPORT	1				
12	90101210025	BOLT	2		M10X25		
13	90302041001	WASHER,SPRING	2		10		
14	82100002014	CLAMP	1		WR20		745469
	82100002010	CLAMP	1		WR15	745470	
15	90201200600	NUT	1		M6		745469
	90201200600	NUT	2		M6	745470	
16	90302040601	WASHER,SPRING	1		6		
21	42805361100	PANEL	1				
22	42805361150	COVER	1				
23	80192486014	SCREW,MACHINE (WITH WASHER)	4		M6X14		
24	42805361201	HARNESS	1				
25	80192486010	SCREW,MACHINE	5		M6X10		
26	90201200800	NUT	1		M8		
27	90302040801	WASHER,SPRING	1		8		
28	82100002596	RELAY	6				
29	90101208012	BOLT	1		M8X12		
30	82100002040	CLAMP	1		WE15		
31	31651760500	COVER	1				
32	91810130240	FASTENER	15				
33	42805361300	PLATE,NAME	1				
34	90101206010	BOLT	12		M6X1.0		
35	90302040601	WASHER,SPRING	15		6		
36	90303070601	WASHER,PLAIN	4		6		
37	82197600101	CAP (BLACK)	2				
38	31651762400	COVER	1				
41	42650783200	SUPPORT	1				
42	42805362100	BOX ASSY	1				
43	80182306010	SCREW,MACHINE	2		M6X10		
47	82161201010	RELAY	2				
48	82100002014	CLAMP	1		WR20		
49	90201200600	NUT	1		M6		
50	82161202010	RELAY	2				
51	82100002597	RELAY	1				
65	82101419002	SWITCH,PUSH	2				
66	82105413150	SWITCH,TOGGLE	1				
67	82105411140	SWITCH,TOGGLE	1				
71	82101901463	SWITCH,PUSH	1				
74	42805361250	LAMP ASSY	1				
91	34351562510	BOX,FUSE	1				
92	42805362110	HARNESS	1				
93	82100001839	FUSE	7		10A.RED		
94	82100001841	FUSE	4		20A.YELLOW		
95	82100001843	FUSE	3		30A.GREEN		
96	82100002732	TERMINAL	6				
101	82163902242	LAMP,PILOT	1				

AT-81-1 42040110600 LOWER,NISSAN KK-AKR66EA
PW1010162-02 ACCESSORIES

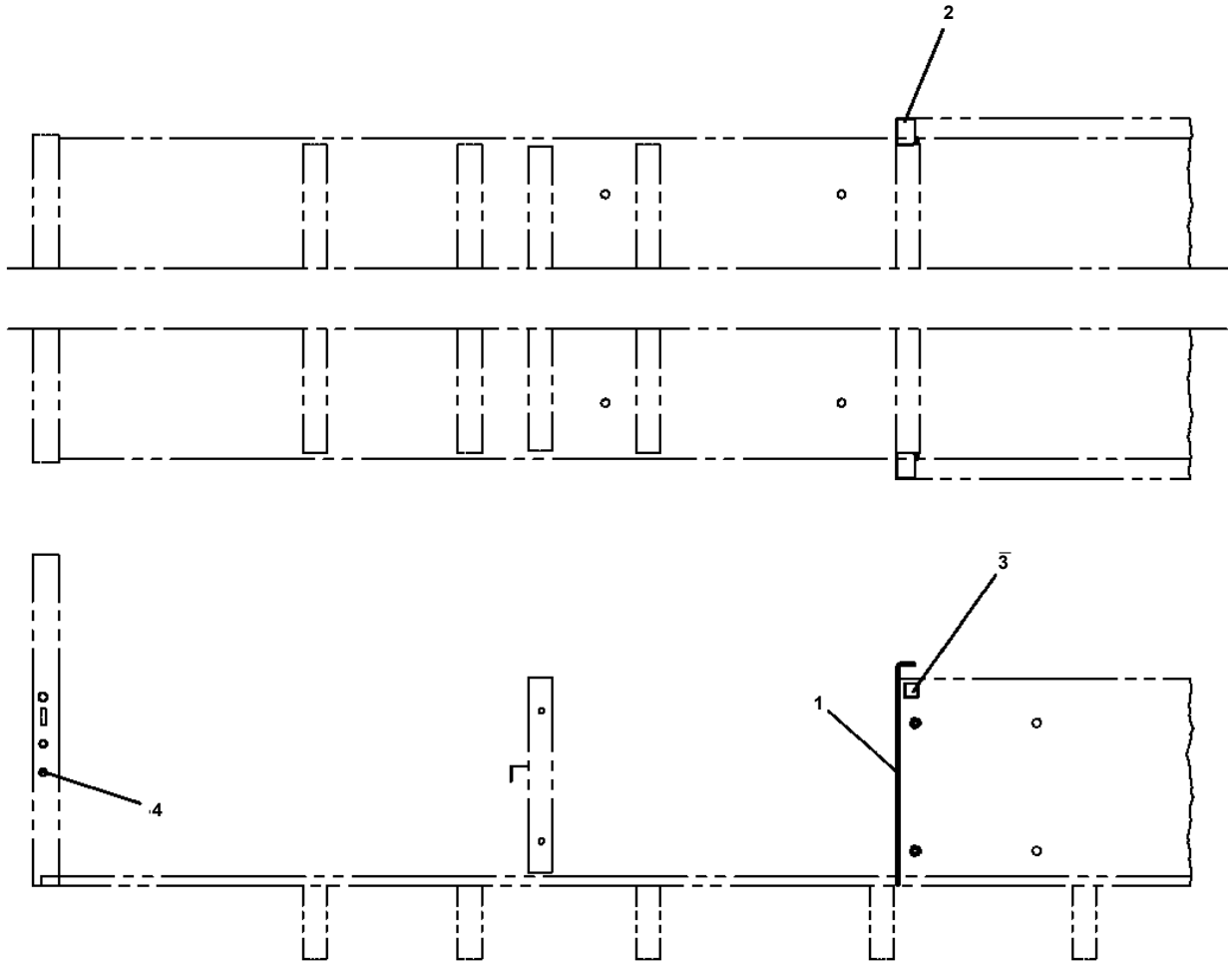


**AT-81-1 42040110600 LOWER,NISSAN KK-AKR66EA
PX1220215-00 PUMP INSTALLATION**

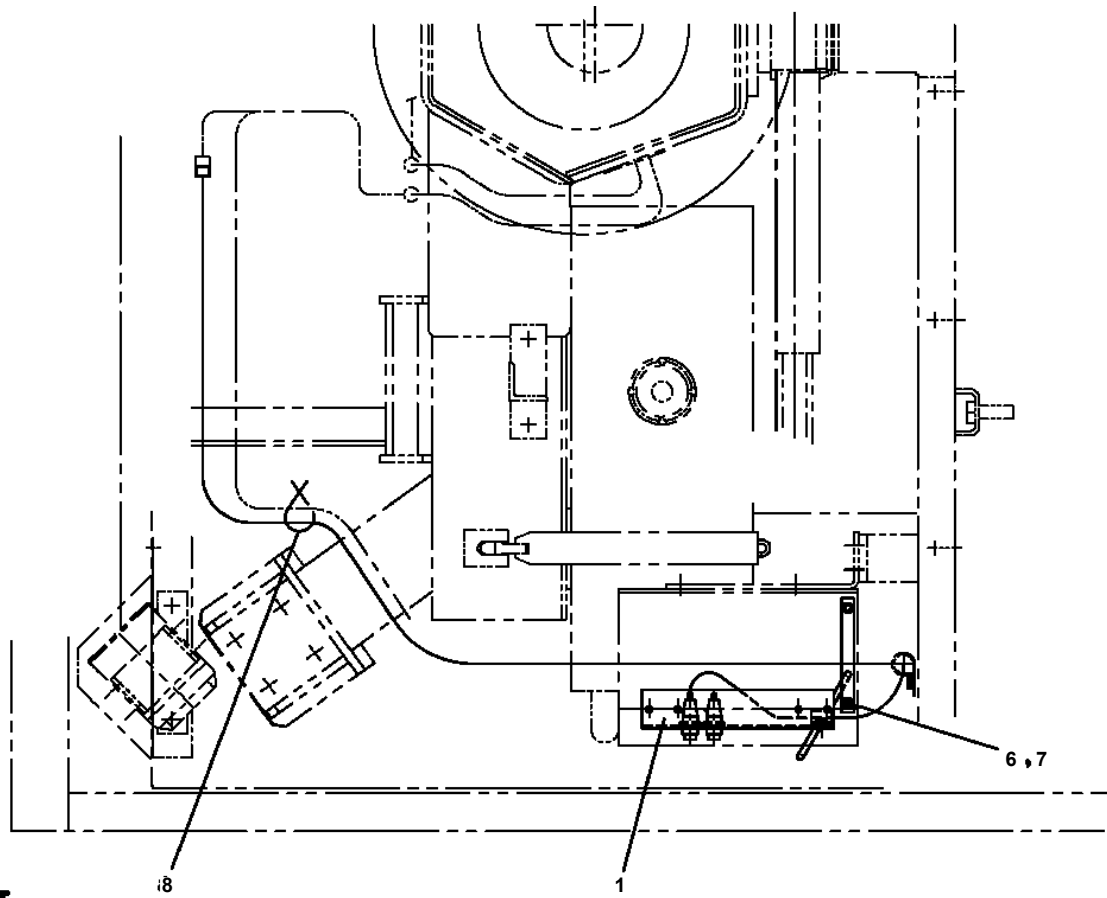


AT-81-1 42040110600 LOWER,NISSAN KK-AKR66EA
PX1390536-00 MODIFICATION PARTS (TOOL BOX)

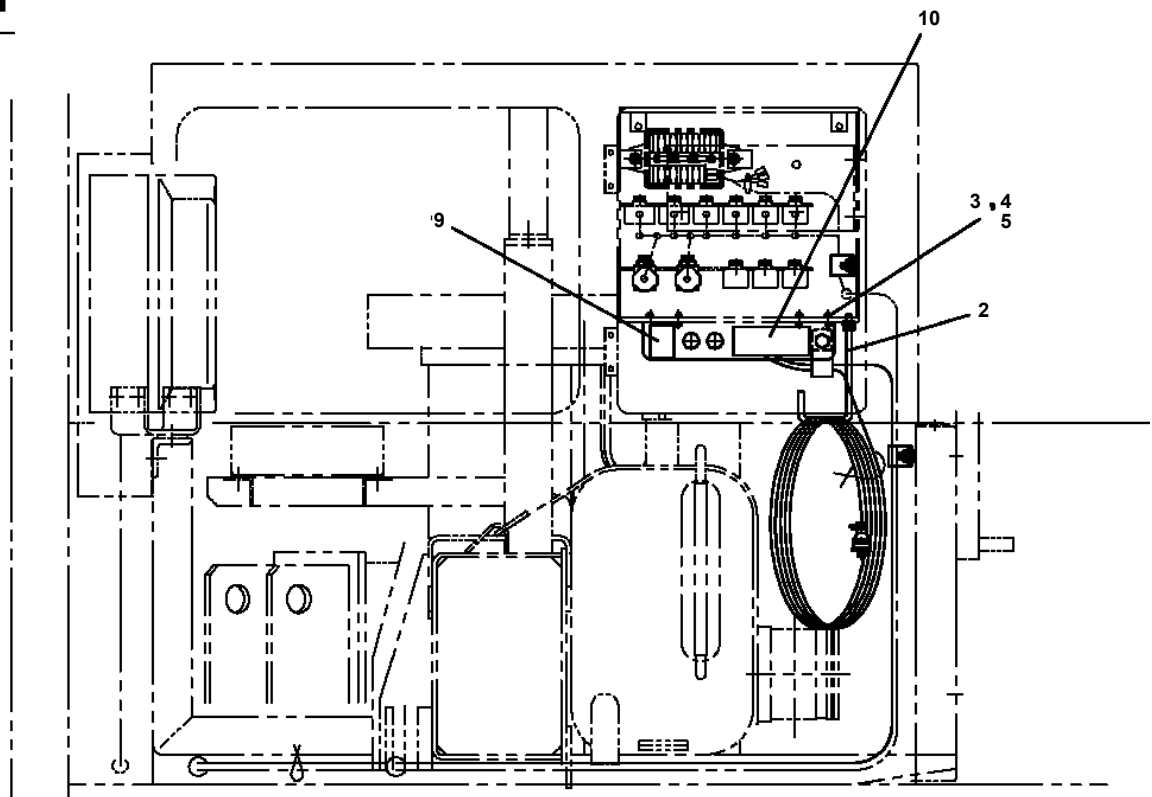
FRONT ←



**AT-81-1 42040110600 LOWER,NISSAN KK-AKR66EA
PY1490015-00 ELECTRICAL PARTS,POWER SOURCE (OPTION)**



FRONT
←



CLICK HERE TO **DOWNLOAD** THE COMPLETE MANUAL

- Thank you very much for reading the preview of the manual.
- You can download the complete manual from: www.heydownloads.com by clicking the link below



- Please note: If there is no response to CLICKING the link, please download this PDF first and then click on it.

CLICK HERE TO **DOWNLOAD** THE COMPLETE MANUAL