

AT-81-1 42040140100 LOWER,ISUZU U-NKR55E-1ES
PX1000577-00 MOUNTING PARTS
ASSEMBLY

CLICK HERE TO **DOWNLOAD** THE COMPLETE MANUAL

- Thank you very much for reading the preview of the manual.
- You can download the complete manual from: www.heydownloads.com by clicking the link below



- Please note: If there is no response to CLICKING the link, please download this PDF first and then click on it.

CLICK HERE TO **DOWNLOAD** THE COMPLETE MANUAL

AT-81-1 42040140100 LOWER,ISUZU U-NKR55E-1ES

Pos No.	Parts No	Parts Name	Qty	Unit	Technical Data	Serial No (Start)	Serial No (End)	Remarks	Pages
8	36650035070	BACKUP STRIP	2						
9	36650035080	GASKET	2						
10	52263902050	GASKET	2						
13	36650035090	SEAL,OIL	1						
20	36650590000	PUMP,HYDRAULIC	1						

AT-81-1 42040140100 LOWER,ISUZU U-NKR55E-1ES

Pos No.	Parts No	Parts Name	Qty	Unit	Technical Data	Serial No (Start)	Serial No (End)	Remarks	Pa
2	31660005010	CAP (BREATHER)	1						
3	36100285020	GAUGE,OIL	1						
4	31660005030	PLUG	1						
10	36101985010	GASKET	1						
14	36100845010	CAP (MANHOLE)	1						
21	31620007510	ELEMENT (OB-05T,R)	1						
22	31660007510	PACKING SET	1						
30	36100840001	TANK,OIL	1						

AT-81-1 42040140100 LOWER,ISUZU U-NKR55E-1ES

Pos No.	Parts No	Parts Name	Qty	Unit	Technical Data	Serial No (Start)	Serial No (End)	Remarks
1	36620140000	VALVE,PILOT CHECK	2					
2	90131510035	BOLT,HEXAGON SOCKET	4		M10X35			
3	37000116730	PIN	2					
4	80136380050	PIN,SPLIT	4		8X50			
5	36030730000	CYLINDER,JACK	2					
6	42610670010	SUPPORT	2					
7	90101510025	BOLT	12		M10X25			
8	90302041001	WASHER,SPRING	12		10			
9	42610090100	PLATE	4					
10	42610090110	FLOAT	2					
11	90101512040	BOLT	8		M12X40			
12	90201201200	NUT	8		M12			
13	90302041201	WASHER,SPRING	8		12			
14	82104101020	SWITCH,LIMIT	2			745172	745319	
	82104502030	SWITCH,LIMIT	2			745320		
15	90101204035	BOLT	4		M4X35	745172		
16	90303070401	WASHER,PLAIN	8		4	745172		
17	90201200400	NUT	4		M4	745172		
18	90302040401	WASHER,SPRING	4		4	745172		

AT-81-1 42040140100 LOWER,ISUZU U-NKR55E-1ES

Pos No.	Parts No	Parts Name	Qty	Unit	Technical Data	Serial No (Start)	Serial No (End)	Remarks	Pages
3	36640765100	O-RING	2						
4	36640765110	RING,BACKUP	2						
5	36601615010	SPRING	2						
6	36601615020	SHIM	2						
7	36601615030	PLUG	2						
8	91000591200	O-RING	2		AS568-912				
10	36601615040	SPRING	2						
11	36601615050	PLUG	2						
12	91000590800	O-RING	2		AS568-908				
20	36602610000	VALVE,RELIEF	1						

AT-81-1 42040140100 LOWER,ISUZU U-NKR55E-1ES

Pos No.	Parts No	Parts Name	Qty	Unit	Technical Data	Serial No (Start)	Serial No (End)	Remarks
1	36670105000	HEAD ASSY	1					
2	36672580000	FILTER,CARTRIDGE	1					
10	36670100000	FILTER,OIL (YAMASHIN)	1					

CLICK HERE TO **DOWNLOAD** THE COMPLETE MANUAL

- Thank you very much for reading the preview of the manual.
- You can download the complete manual from: www.heydownloads.com by clicking the link below



- Please note: If there is no response to CLICKING the link, please download this PDF first and then click on it.

CLICK HERE TO **DOWNLOAD** THE COMPLETE MANUAL

AT-81-1 42040140100 LOWER,ISUZU U-NKR55E-1ES

Pos No.	Parts No	Parts Name	Qty	Unit	Technical Data	Serial No (Start)	Serial No (End)	Remarks	P
1	37004100030	PUMP,GREASE (240CC)	1						

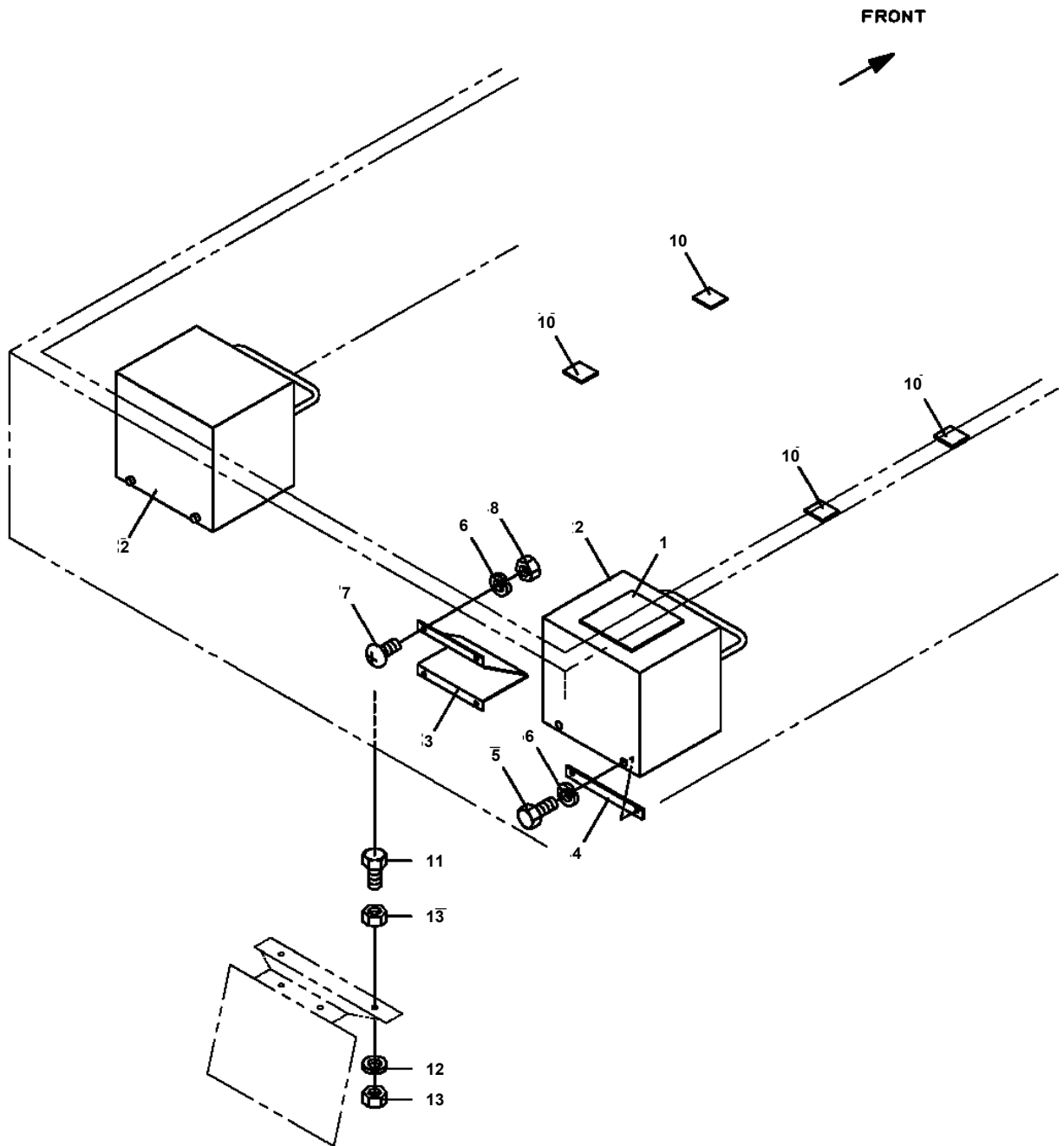
AT-81-1 42040140100 LOWER,ISUZU U-NKR55E-1ES

Pos No.	Parts No	Parts Name	Qty	Unit	Technical Data	Serial No (Start)	Serial No (End)	Remarks	Pages
1	42460012000	WEDGE	1						

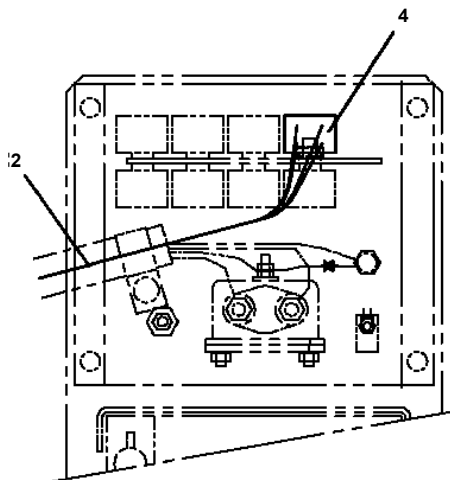
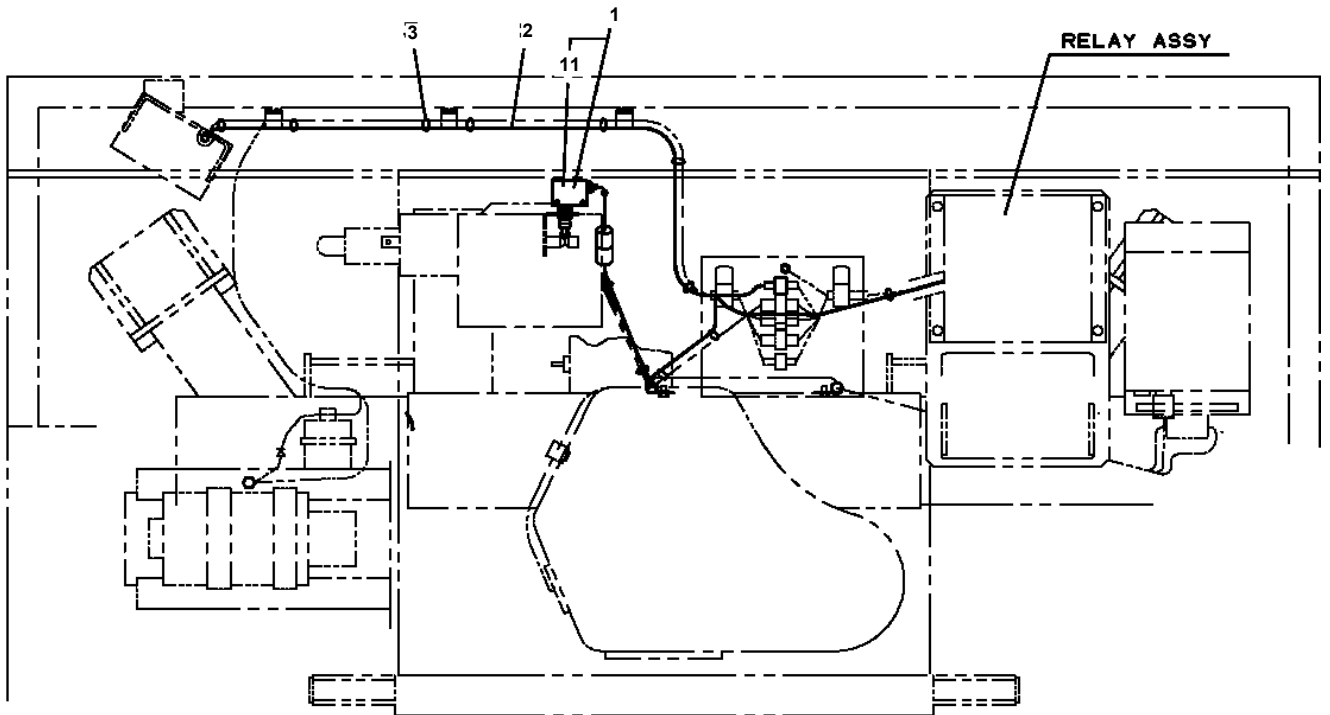
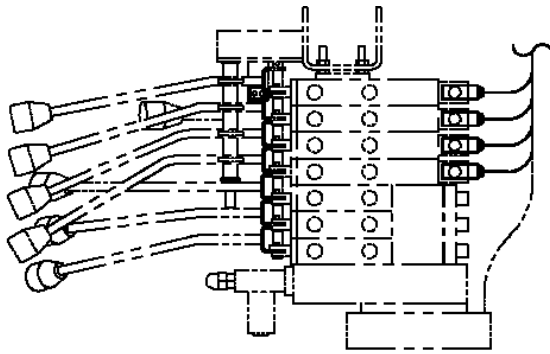
AT-81-1 42040140100 LOWER,ISUZU U-NKR55E-1ES

Pos No.	Parts No	Parts Name	Qty	Unit	Technical Data	Serial No (Start)	Serial No (End)	Remarks	Pages
1	42781111010	SUPPORT	2						
2	42781111020	SUPPORT	2						
3	42781111030	SUPPORT	6						

AT-81-1 42040140100 LOWER,ISUZU U-NKR55E-1ES
PX1390069-01 MODIFICATION PARTS (DECK)



AT-81-1 42040140100 LOWER,ISUZU U-NKR55E-1ES
PY1130003-00 INTERLOCK



RELAY ASSY

CLICK HERE TO **DOWNLOAD** THE COMPLETE MANUAL

- Thank you very much for reading the preview of the manual.
- You can download the complete manual from: www.heydownloads.com by clicking the link below



- Please note: If there is no response to CLICKING the link, please download this PDF first and then click on it.

CLICK HERE TO **DOWNLOAD** THE COMPLETE MANUAL