

AT-80-3 42006340400 LOWER,ISUZU BDG-NKS85AN-EJ6AY-M

PB3000211-00 POWER UNIT
PO1000171-00 INDICATION PLATES
PX2000963-01 CARRIER UNIT
PX3000490-00 MOUNTING UNIT
PY1001242-03 OPTIONS,1
ASSEMBLY

CLICK HERE TO **DOWNLOAD** THE COMPLETE MANUAL

- Thank you very much for reading the preview of the manual.
- You can download the complete manual from: www.heydownloads.com by clicking the link below



- Please note: If there is no response to CLICKING the link, please download this PDF first and then click on it.

CLICK HERE TO **DOWNLOAD** THE COMPLETE MANUAL

AT-80-3 42006340400 LOWER,ISUZU BDG-NKS85AN-EJ6AY-M

Pos No.	Parts No	Parts Name	Qty	Unit	Technical Data	Se
1	(*****)	BUZZER (JACK/FOR HINO,TOYOTA)	1			
	(*****)	BUZZER (JACK OPE./07.0 ISUZU, NISSAN,MAZDA BKG,BDG)	1			
	(*****)	BUZZER (JACK/FOR ISUZU:PB,NISSAN,MAZDA)	1			
2	(*****)	BUZZER (JACK/FOR MITSUBISHI)	1			HH
	(*****)	BUZZER (JACK OPE./09.0 ISUZU BKG,BDG)	1			HH
	(*****)	VIEW SYSTEM (BACK MONITOR/ISUZU:PB,BKG)	1			
3	(*****)	VIEW SYSTEM (BACK MONITOR/HINO)	1			
	(*****)	VIEW SYSTEM (BACK MONITOR/MITSUBISHI)	1			HH
	(*****)	BOX,TOOL (RIGHT/INNER SHELF)	1			
4	(*****)	BOX,TOOL (LEFT/INNER SHELF)	1			
5	(*****)	INTERLOCK (TOOL BOX UNCLOSED/MITSUBISHI)	1			
	(*****)	INTERLOCK (TOOL BOX UNCLOSED/ISUZU:PB)	1			
	(*****)	INTERLOCK (TOOL BOX/HINO,ISUZU:BKG)	1			
6	(*****)	WOOD BLOCK	1			
	(*****)	WOOD BLOCK	1			
7	(*****)	EARTHING DEVICE (EXCLUSIVE FOR 2WD)	1			
	(*****)	EARTHING DEVICE (EXCLUSIVE FOR 4WD)	1			
8	(*****)	SUPPORT ASSY(TRANSFERENCE FOR BACK CAMERA/REAR COVER)	1			

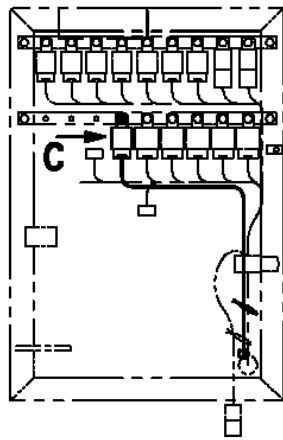
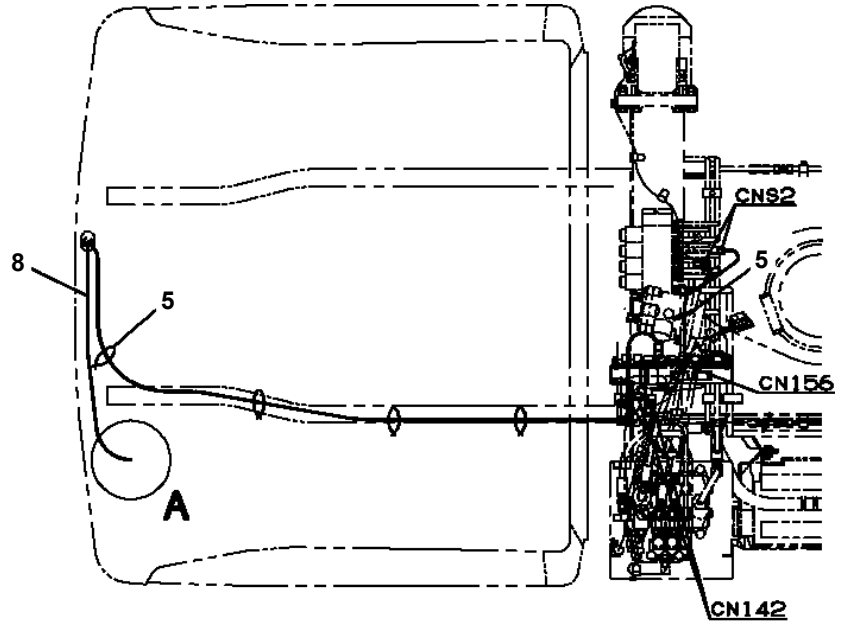
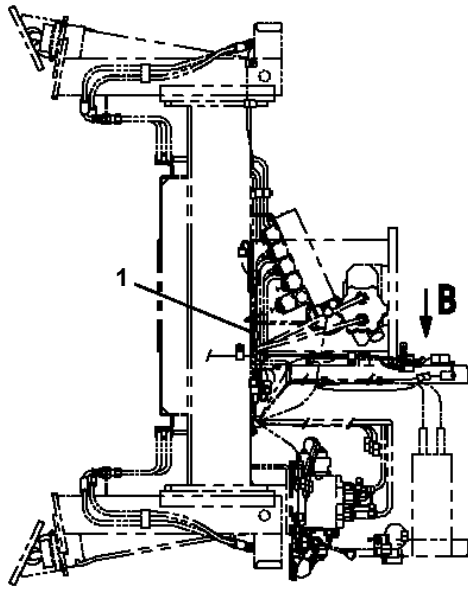
AT-80-3 42006340400 LOWER,ISUZU BDG-NKS85AN-EJ6AY-M

Pos No.	Parts No	Parts Name	Qty	Unit	Technical Data	Serial No (Start)	Serial No (End)	Remarks	Page
1	90303071001	WASHER,PLAIN	2		10				
2	90302041001	WASHER,SPRING	2		10				
3	90174110035	BOLT	2		M10X35				
4	36652840000	PUMP,OIL (32CC:L)	1						00007

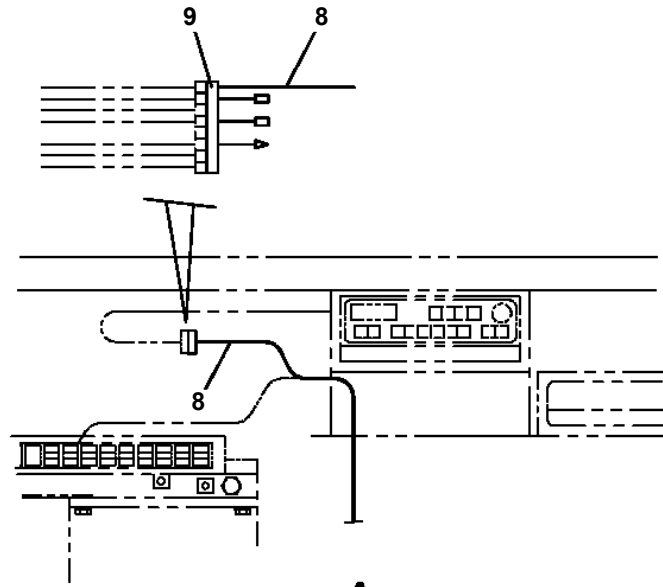
AT-80-3 42006340400 LOWER,ISUZU BDG-NKS85AN-EJ6AY-M

Pos No.	Parts No	Parts Name	Qty	Unit	Technical Data	Serial No (Start)	Serial No (End)
1	42838041100	HARNES	1				
2	90101206014	BOLT	2		M6X14		
3	90302040601	WASHER,SPRING	2		6		
4	90303070601	WASHER,PLAIN	2		6		
5	90201200600	NUT	2		M6		
6	80172304012	SCREW,MACHINE	2		M4X12		
7	90302040401	WASHER,SPRING	2		4		
8	90201200400	NUT	2		M4		
9	42971090100	SUPPORT	1				
10	42809631200	LAMP ASSY (RED,WITH HARNES)	1				
11	42652990200	BUZZER ASSY	1				
12	91810132530	FASTENER	10				
13	82115001002	CONNECTOR	6				
14	90186206016	BOLT,FLANGE	1		M6X16		
15	90280200600	NUT,FLANGE	1		M6		
16	42934090200	SUPPORT	1				
17	90101208020	BOLT	1		M8X20		
18	90302040801	WASHER,SPRING	1		8		
19	42808712100	RELAY ASSY	1				
20	82100001805	TUBE,CORRUGATE	1	M	19		
21	42838041200	HARNES	1				

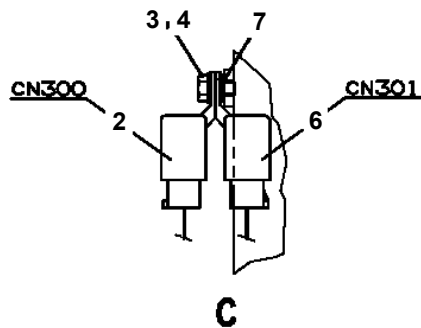
AT-80-3 42006340400 LOWER,ISUZU BDG-NKS85AN-EJ6AY-M
 PH1500012-00 BUZZER (JACK/FOR ISUZU:PB,NISSAN,MAZDA)



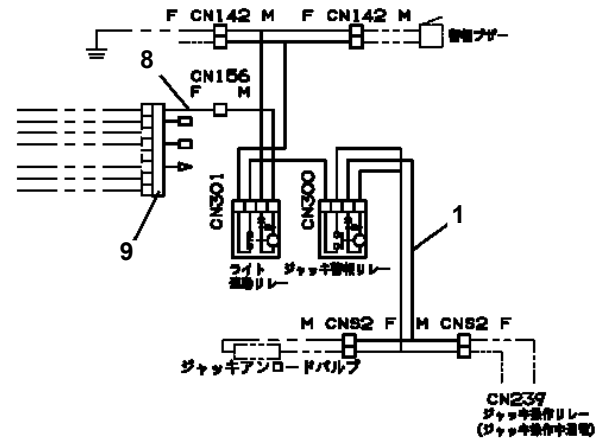
B



A



C



木オプ ション系統図

AT-80-3 42006340400 LOWER,ISUZU BDG-NKS85AN-EJ6AY-M

Pos No.	Parts No	Parts Name	Qty	Unit	Technical Data	Serial No (Start)	Serial No (End)
1	42970890100	HARNESS	1				
2	82100002596	RELAY	1				
3	90101206016	BOLT	2		M6X16		
5	91810132530	FASTENER	N				
6	82100002597	RELAY	1				
7	90303070601	WASHER,PLAIN	2		6		
8	42971210100	HARNESS	1		L=1060		
9	82114102010	CONNECTOR (1P FEMALE,HOUSING)	1				
10	82111101510	TERMINAL	1				
11	82121101085	PLUG (AVS0.85)	1				

AT-80-3 42006340400 LOWER,ISUZU BDG-NKS85AN-EJ6AY-M

Pos No.	Parts No	Parts Name	Qty	Unit	Technical Data	Serial No (Start)	Serial No (End)	Remarks
1	42970011100	VIEW SYSTEM (MAIN UNIT)	1					
2	91810130240	FASTENER	10					

AT-80-3 42006340400 LOWER,ISUZU BDG-NKS85AN-EJ6AY-M

Pos No.	Parts No	Parts Name	Qty	Unit	Technical Data	Serial No (Start)	Serial No (End)	Remarks	I
1	(***** *****)	VIEW SYSTEM (MONITOR)	1						0
2	(***** *****)	VIEW SYSTEM (CAMERA)	1						0

AT-80-3 42006340400 LOWER,ISUZU BDG-NKS85AN-EJ6AY-M

Pos No.	Parts No	Parts Name	Qty	Unit	Technical Data	Serial No (Start)	Serial No (End)	Remarks	Pages
100	42935970100	HARNESS	1						

AT-80-3 42006340400 LOWER,ISUZU BDG-NKS85AN-EJ6AY-M

Pos No.	Parts No	Parts Name	Qty	Unit	Technical Data	Serial No (Start)	Serial No (End)	Remarks	Pages
26	82182809623	DIODE	4						
100	42837372102	HARNESS	1						

AT-80-3 42006340400 LOWER,ISUZU BDG-NKS85AN-EJ6AY-M

Pos No.	Parts No	Parts Name	Qty	Unit	Technical Data	Serial No (Start)	Serial No (End)	Remarks	Pages
100	42970870401	HARNESS	1						

AT-80-3 42006340400 LOWER,ISUZU BDG-NKS85AN-EJ6AY-M

Pos No.	Parts No	Parts Name	Qty	Unit	Technical Data	Serial No (Start)	Serial No (End)	Remarks	Pages
100	42835860010	HARNESS	1						
	42835860010	HARNESS	1						
	42835860010	HARNESS	1						
	42835860010	HARNESS	1						

CLICK HERE TO **DOWNLOAD** THE COMPLETE MANUAL

- Thank you very much for reading the preview of the manual.
- You can download the complete manual from: www.heydownloads.com by clicking the link below



- Please note: If there is no response to CLICKING the link, please download this PDF first and then click on it.

CLICK HERE TO **DOWNLOAD** THE COMPLETE MANUAL

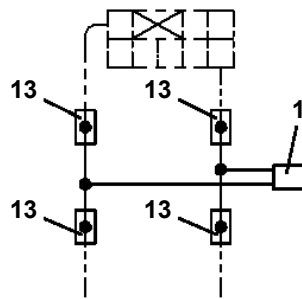
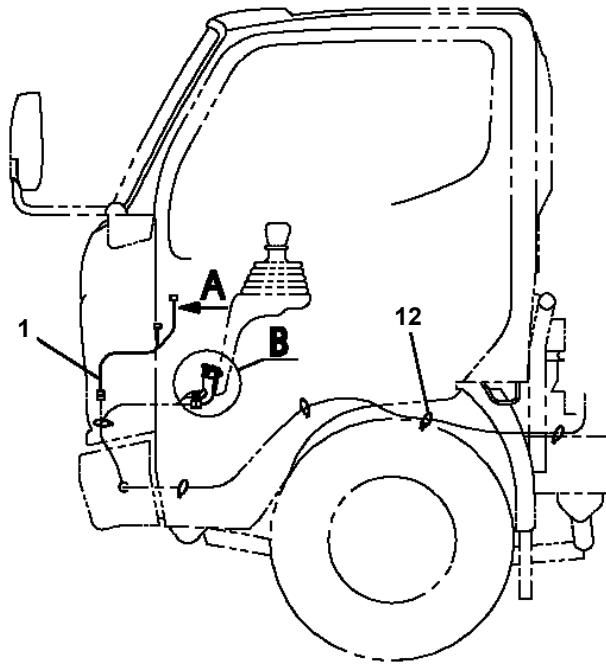
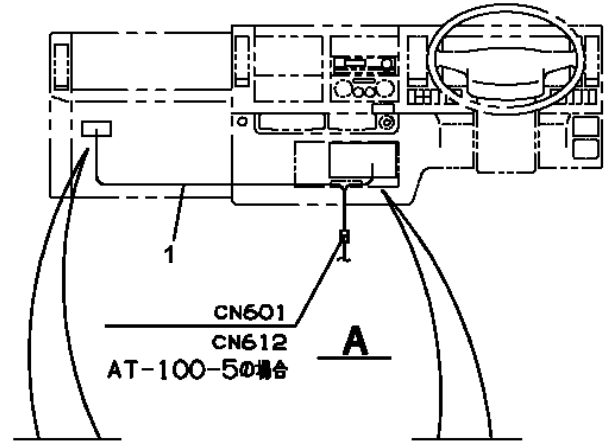
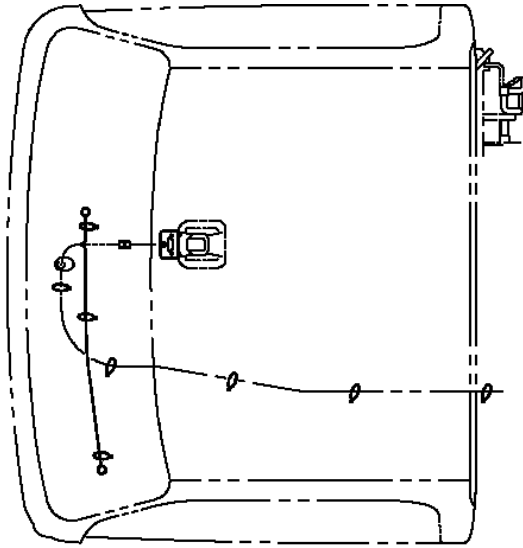
AT-80-3 42006340400 LOWER,ISUZU BDG-NKS85AN-EJ6AY-M

Pos No.	Parts No	Parts Name	Qty	Unit	Technical Data	Serial No (Start)	Serial No (End)	Remarks	Pages
100	42715440100	HARNESS	1						

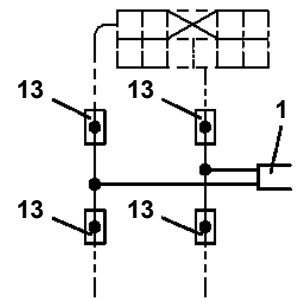
AT-80-3 42006340400 LOWER,ISUZU BDG-NKS85AN-EJ6AY-M

Pos No.	Parts No	Parts Name	Qty	Unit	Technical Data	Serial No (Start)	Serial No (End)	Remarks	Pages
1	42846800100	WEIGHT	1						
3	90101216035	BOLT	4		M16X35				
4	90302041601	WASHER,SPRING	4		16				

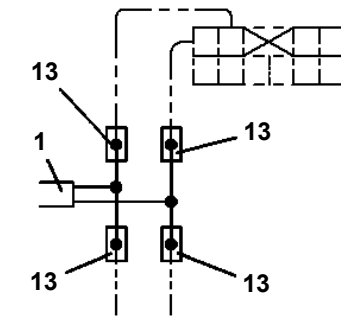
**AT-80-3 42006340400 LOWER, ISUZU BDG-NKS85AN-EJ6AY-M
PN1014813-01 ELEC.ASSY (CARRIER)**



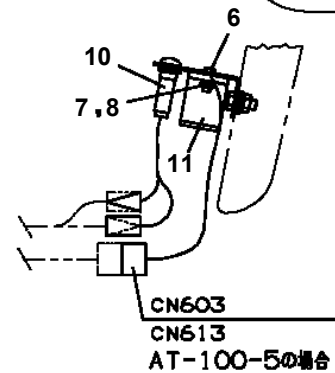
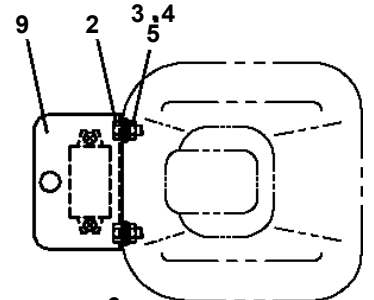
H9コネクタ (8極黄色)
(07.0型車の場合)



B21コネクタ (白色)

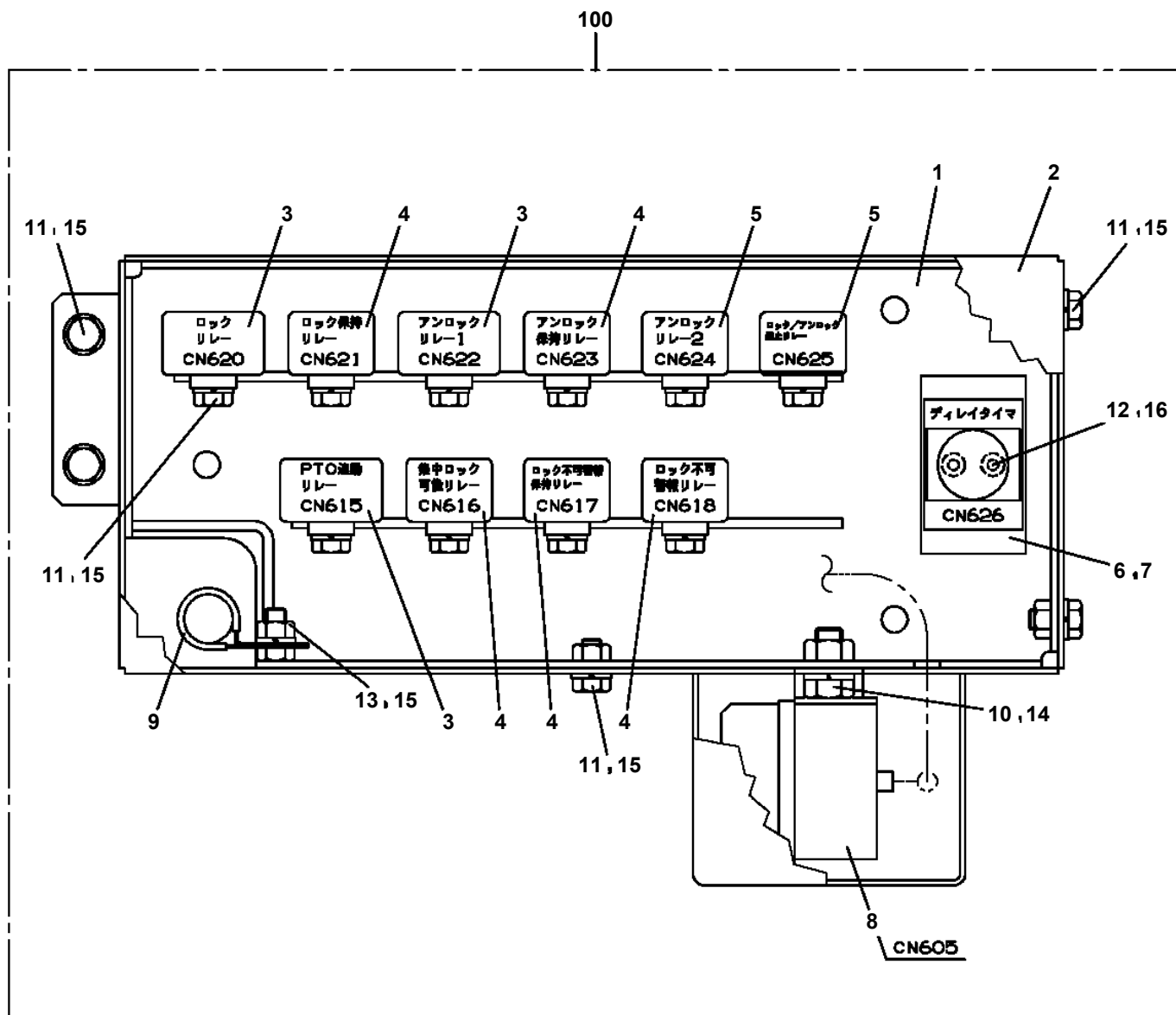


H9コネクタ (10極緑色)
(09.0型車の場合)



B

AT-80-3 42006340400 LOWER, ISUZU BDG-NKS85AN-EJ6AY-M
 PN1100084-00 RELAY BOX



AT-80-3 42006340400 LOWER,ISUZU BDG-NKS85AN-EJ6AY-M

Pos No.	Parts No	Parts Name	Qty	Unit	Technical Data	Serial No (Start)	Serial No (End)	Remarks	Page
50	36652335010	GASKET	2						
51	36652335020	GASKET	2						
54	53063551010	SEAL,OIL	1						
55	80602110360	RING,RITAINING	1		R36				
100	36652840000	PUMP,OIL (32CC:L)	1						

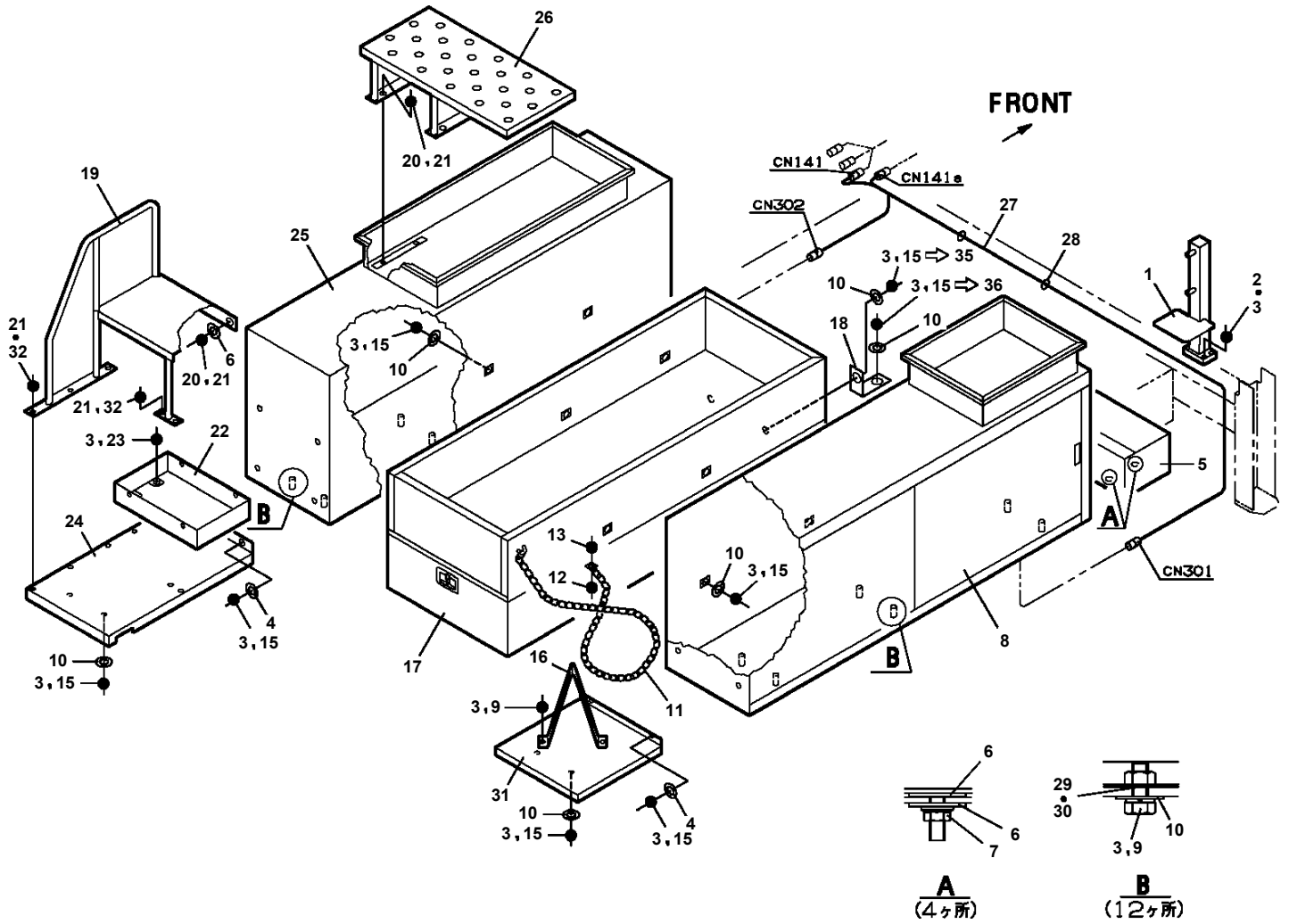
AT-80-3 42006340400 LOWER,ISUZU BDG-NKS85AN-EJ6AY-M

Pos No.	Parts No	Parts Name	Qty	Unit	Technical Data	Serial No (Start)	Serial No (End)	Remarks	P
1	42971031101	SUPPORT	1						
2	42971031500	SUPPORT	1						
3	82464107816	HINGE	1						
4	82466188304	LOCK	1						
5	80182806012	SCREW,MACHINE	8		M6X12				
6	90302510601	WASHER,SPRING (6)	8						
7	42970511300	PLATE	1						
8	90201500400	NUT	2		M4				
9	80172804020	SCREW,MACHINE	2		M4X20				
10	80172804010	SCREW,MACHINE	4		M4X10				
11	90302510401	WASHER,SPRING	6		4				
12	90303520401	WASHER,PLAIN	6		4				
50	42971031001	SUPPORT ASSY (LEFT)	1						

AT-80-3 42006340400 LOWER,ISUZU BDG-NKS85AN-EJ6AY-M

Pos No.	Parts No	Parts Name	Qty	Unit	Technical Data	Serial No (Start)	Serial No (End)	Remarks	Page
1	(*****)	EARTHING DEVICE	1						00011
2	90101210016	BOLT	2		M10X16				
3	90302041001	WASHER,SPRING	4		10				
4	42811890200	SUPPORT	1						
5	90303071001	WASHER,PLAIN	2		10				
6	90302040801	WASHER,SPRING	2		8				
7	90303070801	WASHER,PLAIN	2		8		HH5197		
	37000553000	PLATE	2			HH5198			
8	90101210020	BOLT	2		M10X20				
9	42811980100	SUPPORT	1						
10	90101208020	BOLT	2		M8X20				
11	82401800100	PLUG (FOR M10)	2						

**AT-80-3 42006340400 LOWER,ISUZU BDG-NKS85AN-EJ6AY-M
PX1351018-01 BOX,TOOL**



AT-80-3 42006340400 LOWER,ISUZU BDG-NKS85AN-EJ6AY-M

Pos No.	Parts No	Parts Name	Qty	Unit	Technical Data	Serial No (Start)	Serial No (End)
2	42835867660	DOOR ASSY (SLIDING DOOR)	1				
3	42835867810	RACK	2				
4	42835867620	BRACKET	8				
5	42835867540	PILLAR (DOORJAMB)	1				
6	42835867550	PILLAR (DOORJAMB)	1				
7	42835867560	RAIL	1				
8	42835867830	SEAT (WITH DOUBLE-STICK TAPE)	1				
9	42835867580	SEAL (TAPE)	1		L=1820MM		
10	42835867680	HARNES ASSY	1				
11	42835257620	PLATE	4				
12	42835767580	STOPPER	1				
13	42833077610	BUSH	8				
14	42835257625	WATER STRIP (MOHAIR)	1		L=650		
16	42500577560	SCREW,MACHINE (SEMS)	7		M4X8		
17	42835257650	SCREW,MACHINE (WITH WASHER)	4		M5X20		
18	42835467840	SCREW,MACHINE (WITH W,SW)	2		M5X22		
19	42835257660	SCREW,MACHINE	8		M4X18		
20	42835257680	SCREW,MACHINE (WITH SW,N)	6		M5X10		
21	42835867640	BOLT (WITH W,SW)	4		M6X10		
22	42835867650	NUT (SPEED NUT)	4		M6		
23	42835867840	GROMMET	1				
41	42835257725	LOCK ASSY	1				
42	42835257735	LOCK (WITH KEY)	1				
61	42835257736	KEY	3				
100	42835861302	BOX,TOOL	1				

AT-80-3 42006340400 LOWER,ISUZU BDG-NKS85AN-EJ6AY-M

Pos No.	Parts No	Parts Name	Qty	Unit	Technical Data	Serial No (Start)	Serial No (End)	Remarks	Pages
1	42835863500	SUPPORT	1						
	42835863500	SUPPORT	1						
	42835863500	SUPPORT	1						
2	90101210035	BOLT	4		M10X35				
	90101210035	BOLT	4		M10X35				
	90101210035	BOLT	4		M10X35				
3	90302041001	WASHER,SPRING	34		10				
	90302041001	WASHER,SPRING	34		10				
	90302041001	WASHER,SPRING	34		10				
4	37000549940	PLATE	4		T=3.2				
	37000549940	PLATE	4		T=3.2				
	37000549940	PLATE	4		T=3.2				
5	42835860102	CASE	1						
	42835860102	CASE	1						
	42835860102	CASE	1						
6	37000547660	PLATE	10		T=2.3				
	37000547660	PLATE	10		T=2.3				
	37000547660	PLATE	10		T=2.3				
7	90280200800	NUT,FLANGE	4		M8				
	90280200800	NUT,FLANGE	4		M8				
	90280200800	NUT,FLANGE	4		M8				
9	90101210025	BOLT	14		M10X25				
	90101210025	BOLT	14		M10X25				
	90101210025	BOLT	14		M10X25				
10	37000506590	PLATE	26		T=1.6				
	37000506590	PLATE	26		T=1.6				
	37000506590	PLATE	26		T=1.6				
11	82400000345	CHAIN (QTY=L)	2	M					
	82400000575	CHAIN	2	M		HH5262	HH5261		
12	90280200600	NUT,FLANGE	1		M6				
	90280200600	NUT,FLANGE	1		M6				
	90280200600	NUT,FLANGE	1		M6				
13	90186206016	BOLT,FLANGE	1		M6X16				
	90186206016	BOLT,FLANGE	1		M6X16				
	90186206016	BOLT,FLANGE	1		M6X16				
15	90101210020	BOLT	12		M10X20				
	90101210020	BOLT	12		M10X20				
	90101210020	BOLT	12		M10X20				
16	42835802010	SUPPORT	1						
	42835802010	SUPPORT	1						
	42835802010	SUPPORT	1						
18	42696070100	SUPPORT	3						
	42696070100	SUPPORT	3						
	42696070100	SUPPORT	3						
19	42835863001	STEP	1						
	42835863001	STEP	1						
	42835863001	STEP	1						
20	90101208016	BOLT	6		M8X16				
	90101208016	BOLT	6		M8X16				
	90101208016	BOLT	6		M8X16				
21	90302040801	WASHER,SPRING	11		8				
	90302040801	WASHER,SPRING	11		8				
	90302040801	WASHER,SPRING	11		8				
22	42835860201	CASE	1						
	42835860201	CASE	1						
	42835860201	CASE	1						
23	90180210016	BOLT,BUTTON	4		M10X16				
	90180210016	BOLT,BUTTON	4		M10X16				
	90180210016	BOLT,BUTTON	4		M10X16				
24	42835862501	SUPPORT	1						
	42835862501	SUPPORT	1						
	42835862501	SUPPORT	1						
26	42835860301	STEP	1						

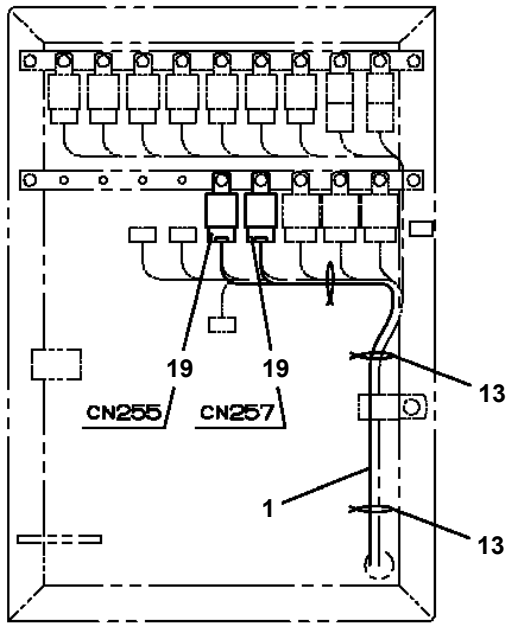
AT-80-3 42006340400 LOWER,ISUZU BDG-NKS85AN-EJ6AY-M

Pos No.	Parts No	Parts Name	Qty	Unit	Technical Data	Serial No (Start)	Serial No (End)
101	42837377580	ACTUATOR	2				
	42837377580	ACTUATOR	2				
	42837377580	ACTUATOR	2				
102	42837377590	LOCK ASSY	2				
	42837377590	LOCK ASSY	2				
	42837377590	LOCK ASSY	2				
103	42837377600	SUPPORT	2				
	42837377600	SUPPORT	2				
	42837377600	SUPPORT	2				
104	42837377610	LINK	1				
	42837377610	LINK	1				
	42837377610	LINK	1				
105	42837377620	LINK	1				
	42837377620	LINK	1				
	42837377620	LINK	1				
106	42837377630	STOPPER	2				
	42837377630	STOPPER	2				
	42837377630	STOPPER	2				
107	42837377640	NUT	2				
	42837377640	NUT	2				
	42837377640	NUT	2				
108	42837377650	BEARING	2				
	42837377650	BEARING	2				
	42837377650	BEARING	2				
109	42837377660	PLATE	4				
	42837377660	PLATE	4				
	42837377660	PLATE	4				
110	42837377670	SPACER	2				
	42837377670	SPACER	2				
	42837377670	SPACER	2				
111	42837377680	SCREW,MACHINE	6		M4X20		
	42837377680	SCREW,MACHINE	6		M4X20		
	42837377680	SCREW,MACHINE	6		M4X20		
112	42837377690	SCREW,MACHINE	2		M4X16		
	42837377690	SCREW,MACHINE	2		M4X16		
	42837377690	SCREW,MACHINE	2		M4X16		
113	32830487740	SCREW,MACHINE (SEMS)	2		M4X10		
	32830487740	SCREW,MACHINE (SEMS)	2		M4X10		
	32830487740	SCREW,MACHINE (SEMS)	2		M4X10		
114	42837377700	SCREW,MACHINE	6		M4X8		
	42837377700	SCREW,MACHINE	6		M4X8		
	42837377700	SCREW,MACHINE	6		M4X8		
115	42837377820	SCREW,MACHINE	4		M4X12		
	42837377820	SCREW,MACHINE	4		M4X12		
	42837377820	SCREW,MACHINE	4		M4X12		
116	42837377720	SCREW,MACHINE	4		M4X14		
	42837377720	SCREW,MACHINE	4		M4X14		
	42837377720	SCREW,MACHINE	4		M4X14		
117	42837377730	WASHER,PLAIN	14		M4		
	42837377730	WASHER,PLAIN	14		M4		
	42837377730	WASHER,PLAIN	14		M4		
118	42837377740	WASHER,SPRING	20		M4		
	42837377740	WASHER,SPRING	20		M4		
	42837377740	WASHER,SPRING	20		M4		
119	42837377750	NUT	6		M4		
	42837377750	NUT	6		M4		
	42837377750	NUT	6		M4		
201	34260957590	LAMP ASSY (ROOM)	2			HH5207	
	34260957590	LAMP ASSY (ROOM)	2			HH5207	
500	42837651300	BOX,TOOL	1				
	42837651300	BOX,TOOL	1				
	42837651300	BOX,TOOL	1				

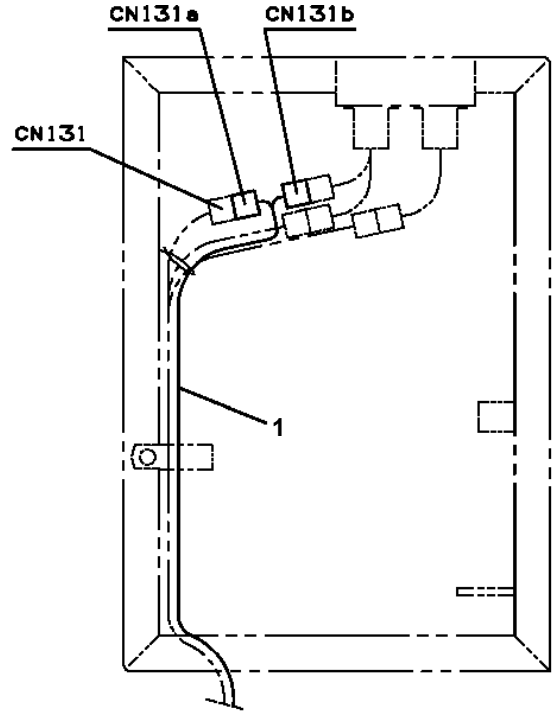
AT-80-3 42006340400 LOWER,ISUZU BDG-NKS85AN-EJ6AY-M

Pos No.	Parts No	Parts Name	Qty	Unit	Technical Data	Serial No (Start)	Serial
1	(*****)	SUPPORT (FOR RELAY BOX)	1				
2	(*****)	BOX,TOOL	1				
3	(*****)	ELEC.ASSY (FRAME)	1				
4	(*****)	ELEC.ASSY (CARRIER)	1				
6	(*****)	PLATE ASSY,NAME (TOOL BOX CENTRAL LOCK)	1				

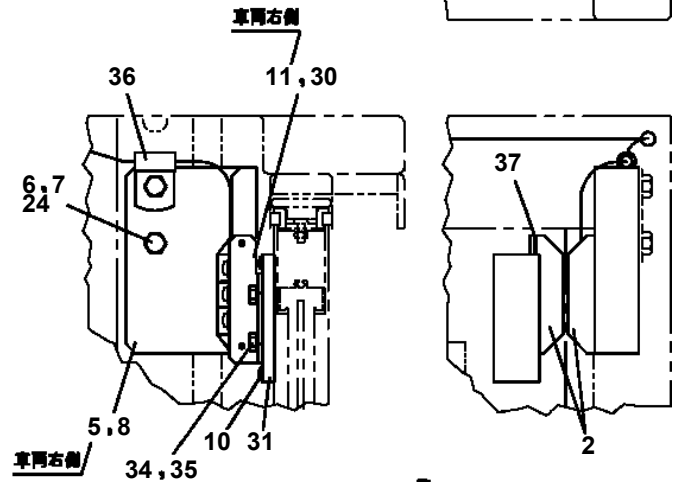
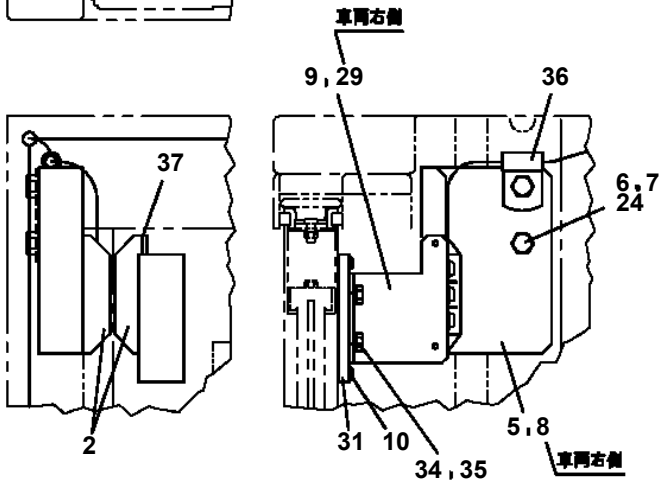
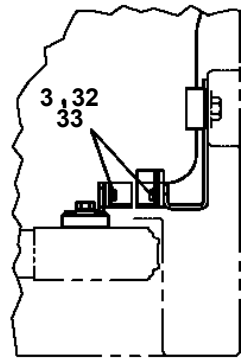
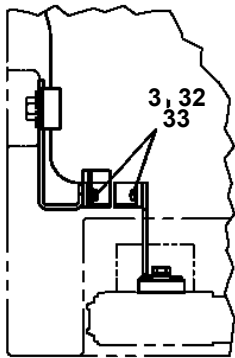
**AT-80-3 42006340400 LOWER,ISUZU BDG-NKS85AN-EJ6AY-M
 PY1130039-01 INTERLOCK (TOOL BOX/HINO,ISUZU:BKG)**



D



J



A

B

CLICK HERE TO **DOWNLOAD** THE COMPLETE MANUAL

- Thank you very much for reading the preview of the manual.
- You can download the complete manual from: www.heydownloads.com by clicking the link below



- Please note: If there is no response to CLICKING the link, please download this PDF first and then click on it.

CLICK HERE TO **DOWNLOAD** THE COMPLETE MANUAL