

AT-80-3 42006320100 LOWER,MITSUBISHI PDG-FE73BB 1UKA3

PB3000211-00 POWER UNIT
PO1000171-00 INDICATION PLATES
PX2001209-00 CARRIER UNIT
PX3000490-00 MOUNTING UNIT
PY1001242-03 OPTIONS,1
ASSEMBLY

CLICK HERE TO **DOWNLOAD** THE COMPLETE MANUAL

- Thank you very much for reading the preview of the manual.
- You can download the complete manual from: www.heydownloads.com by clicking the link below



- Please note: If there is no response to CLICKING the link, please download this PDF first and then click on it.

CLICK HERE TO **DOWNLOAD** THE COMPLETE MANUAL

AT-80-3 42006320100 LOWER,MITSUBISHI PDG-FE73BB 1UKA3

Pos No.	Parts No	Parts Name	Qty	Unit	Technical Data	Se
1	(*****)	BUZZER (JACK/FOR ISUZU:PB,NISSAN,MAZDA)	1			
	(*****)	BUZZER (JACK/FOR HINO,TOYOTA)	1			
	(*****)	BUZZER (JACK OPE./07.0 ISUZU, NISSAN,MAZDA BKG,BDG)	1			
2	(*****)	BUZZER (JACK/FOR MITSUBISHI)	1			
	(*****)	BUZZER (JACK OPE./09.0 ISUZU BKG,BDG)	1			
	(*****)	VIEW SYSTEM (BACK MONITOR/HINO)	1			
3	(*****)	VIEW SYSTEM (BACK MONITOR/ISUZU:PB,BKG)	1			
	(*****)	VIEW SYSTEM (BACK MONITOR/MITSUBISHI)	1			
	(*****)	BOX,TOOL (RIGHT/INNER SHELF)	1			
4	(*****)	BOX,TOOL (LEFT/INNER SHELF)	1			
	(*****)	INTERLOCK (TOOL BOX/HINO,ISUZU:BKG)	1			
	(*****)	INTERLOCK (TOOL BOX UNCLOSED/ISUZU:PB)	1			
5	(*****)	INTERLOCK (TOOL BOX UNCLOSED/MITSUBISHI)	1			
	(*****)	WOOD BLOCK	1			
	(*****)	WOOD BLOCK	1			
6	(*****)	EARTHING DEVICE (EXCLUSIVE FOR 2WD)	1			
	(*****)	EARTHING DEVICE (EXCLUSIVE FOR 4WD)	1			
7	(*****)	SUPPORT ASSY(TRANSFERENCE FOR BACK CAMERA/REAR COVER)	1			
	(*****)					

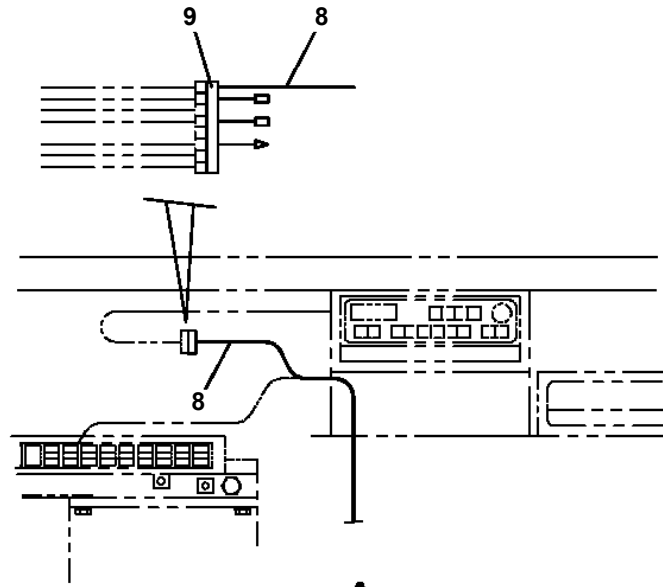
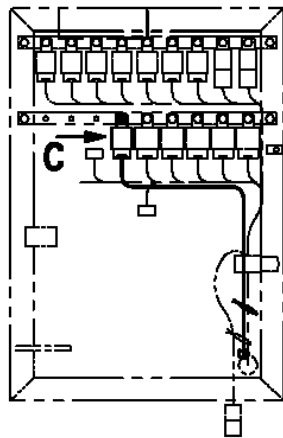
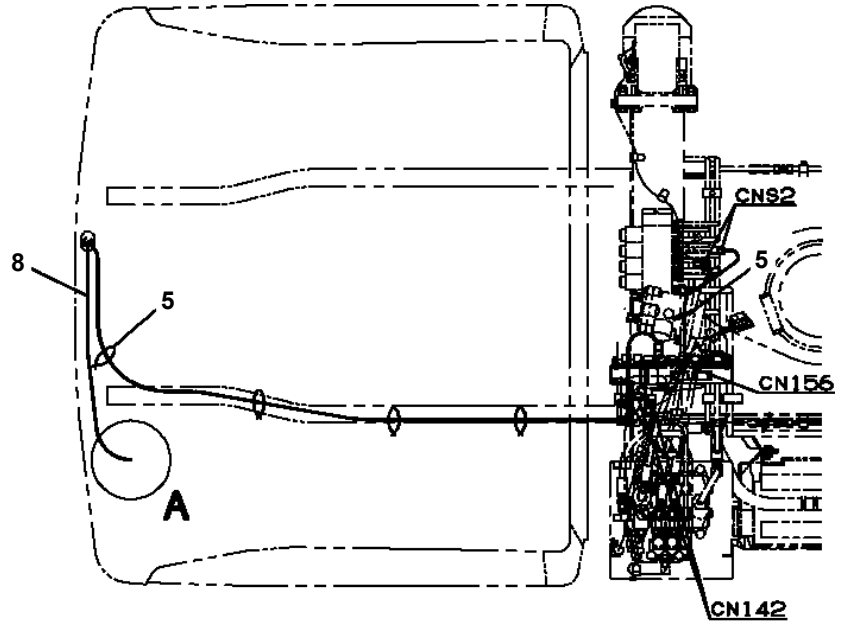
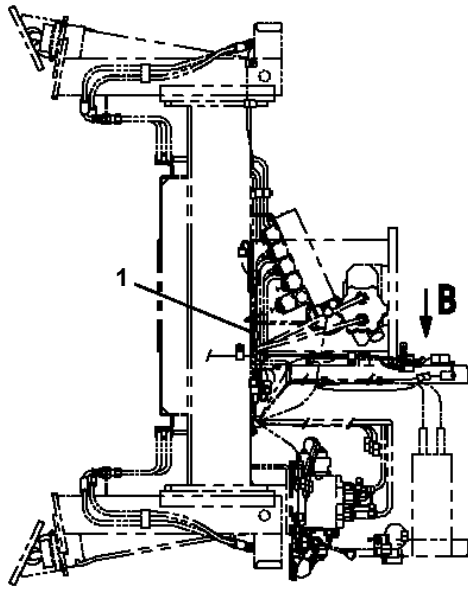
AT-80-3 42006320100 LOWER,MITSUBISHI PDG-FE73BB 1UKA3

Pos No.	Parts No	Parts Name	Qty	Unit	Technical Data	Serial No (Start)	Serial No (End)	Remarks	Page
1	90303071001	WASHER,PLAIN	2		10				
2	90302041001	WASHER,SPRING	2		10				
3	90174110035	BOLT	2		M10X35				
4	36652840000	PUMP,OIL (32CC:L)	1						00007

AT-80-3 42006320100 LOWER,MITSUBISHI PDG-FE73BB 1UKA3

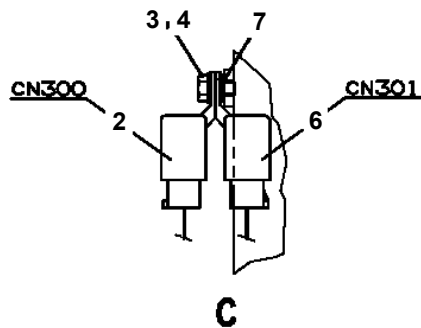
Pos No.	Parts No	Parts Name	Qty	Unit	Technical Data	Serial No (Start)	Serial No (End)
1	42838041100	HARNESS	1				
2	90101206014	BOLT	2		M6X14		
3	90302040601	WASHER,SPRING	2		6		
4	90303070601	WASHER,PLAIN	2		6		
5	90201200600	NUT	2		M6		
6	80172304012	SCREW,MACHINE	2		M4X12		
7	90302040401	WASHER,SPRING	2		4		
8	90201200400	NUT	2		M4		
9	42971090100	SUPPORT	1				
10	42809631200	LAMP ASSY (RED,WITH HARNESS)	1				
11	42652990200	BUZZER ASSY	1				
12	91810132530	FASTENER	10				
13	82115001002	CONNECTOR	6				
14	90186206016	BOLT,FLANGE	1		M6X16		
15	90280200600	NUT,FLANGE	1		M6		
16	42934090200	SUPPORT	1				
17	90101208020	BOLT	1		M8X20		
18	90302040801	WASHER,SPRING	1		8		
19	42808712100	RELAY ASSY	1				
20	82100001805	TUBE,CORRUGATE	1	M	19		
21	42838041200	HARNESS	1				

AT-80-3 42006320100 LOWER, MITSUBISHI PDG-FE73BB 1UKA3
 PH1500012-00 BUZZER (JACK/FOR ISUZU:PB, NISSAN, MAZDA)

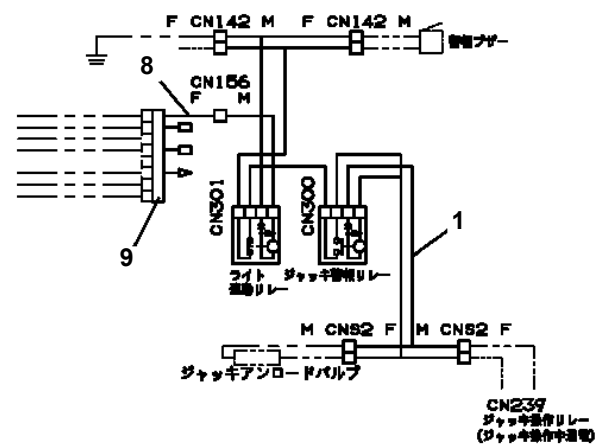


B

A



C



木オプ ション系統図

AT-80-3 42006320100 LOWER,MITSUBISHI PDG-FE73BB 1UKA3

Pos No.	Parts No	Parts Name	Qty	Unit	Technical Data	Serial No (Start)	Serial No (End)
1	42970890100	HARNESS	1				
2	82100002596	RELAY	1				
3	90101206016	BOLT	2		M6X16		
5	91810132530	FASTENER	N				
6	82100002597	RELAY	1				
7	90303070601	WASHER,PLAIN	2		6		
8	42971210100	HARNESS	1		L=1060		
9	82114102010	CONNECTOR (1P FEMALE,HOUSING)	1				
10	82111101510	TERMINAL	1				
11	82121101085	PLUG (AVS0.85)	1				

AT-80-3 42006320100 LOWER,MITSUBISHI PDG-FE73BB 1UKA3

Pos No.	Parts No	Parts Name	Qty	Unit	Technical Data	Serial No (Start)	Serial No (End)	Remarks
1	42970011100	VIEW SYSTEM (MAIN UNIT)	1					
2	91810130240	FASTENER	10					

AT-80-3 42006320100 LOWER,MITSUBISHI PDG-FE73BB 1UKA3

Pos No.	Parts No	Parts Name	Qty	Unit	Technical Data	Serial No (Start)	Serial No (End)	Remarks	I
1	(*****)	VIEW SYSTEM (MONITOR)	1						0
2	(*****)	VIEW SYSTEM (CAMERA)	1						0

AT-80-3 42006320100 LOWER,MITSUBISHI PDG-FE73BB 1UKA3

Pos No.	Parts No	Parts Name	Qty	Unit	Technical Data	Serial No (Start)	Serial No (End)	Remarks	Pages
11	82182809623	DIODE	1						
100	42935510100	HARNESS	1						

AT-80-3 42006320100 LOWER,MITSUBISHI PDG-FE73BB 1UKA3

Pos No.	Parts No	Parts Name	Qty	Unit	Technical Data	Serial No (Start)	Serial No (End)	Remarks	Pages
26	82182809623	DIODE	4						
100	42837372102	HARNESS	1						

AT-80-3 42006320100 LOWER,MITSUBISHI PDG-FE73BB 1UKA3

Pos No.	Parts No	Parts Name	Qty	Unit	Technical Data	Serial No (Start)	Serial No (End)	Remarks	Pages
100	42838041100	HARNESS	1						

AT-80-3 42006320100 LOWER,MITSUBISHI PDG-FE73BB 1UKA3

Pos No.	Parts No	Parts Name	Qty	Unit	Technical Data	Serial No (Start)	Serial No (End)	Remarks	Pages
100	42837373100	HARNESS	1						

CLICK HERE TO **DOWNLOAD** THE COMPLETE MANUAL

- Thank you very much for reading the preview of the manual.
- You can download the complete manual from: www.heydownloads.com by clicking the link below



- Please note: If there is no response to CLICKING the link, please download this PDF first and then click on it.

CLICK HERE TO **DOWNLOAD** THE COMPLETE MANUAL

AT-80-3 42006320100 LOWER,MITSUBISHI PDG-FE73BB 1UKA3

Pos No.	Parts No	Parts Name	Qty	Unit	Technical Data	Serial No (Start)	Serial No (End)
3	36625205020	SPRING	1				
4	36625245010	PLUG	1				
5	91002801800	O-RING	1		1B P18		
50	36625240000	VALVE,CHECK (MORIKAWA GAUGE)	1				

AT-80-3 42006320100 LOWER,MITSUBISHI PDG-FE73BB 1UKA3

Pos No.	Parts No	Parts Name	Qty	Unit	Technical Data	Serial No (Start)	Serial No (End)	Remarks
101	42837377580	ACTUATOR	2					
	42837377580	ACTUATOR	2					
	42837377580	ACTUATOR	2					
102	42837377590	LOCK ASSY	2					
	42837377590	LOCK ASSY	2					
	42837377590	LOCK ASSY	2					
103	42837377600	SUPPORT	2					
	42837377600	SUPPORT	2					
	42837377600	SUPPORT	2					
104	42837377610	LINK	1					
	42837377610	LINK	1					
	42837377610	LINK	1					
105	42837377620	LINK	1					
	42837377620	LINK	1					
	42837377620	LINK	1					
106	42837377630	STOPPER	2					
	42837377630	STOPPER	2					
	42837377630	STOPPER	2					
107	42837377640	NUT	2					
	42837377640	NUT	2					
	42837377640	NUT	2					
108	42837377650	BEARING	2					
	42837377650	BEARING	2					
	42837377650	BEARING	2					
109	42837377660	PLATE	4					
	42837377660	PLATE	4					
	42837377660	PLATE	4					
110	42837377670	SPACER	2					
	42837377670	SPACER	2					
	42837377670	SPACER	2					
111	42837377680	SCREW,MACHINE	6		M4X20			
	42837377680	SCREW,MACHINE	6		M4X20			
	42837377680	SCREW,MACHINE	6		M4X20			
112	42837377690	SCREW,MACHINE	2		M4X16			
	42837377690	SCREW,MACHINE	2		M4X16			
	42837377690	SCREW,MACHINE	2		M4X16			
113	32830487740	SCREW,MACHINE (SEMS)	2		M4X10			
	32830487740	SCREW,MACHINE (SEMS)	2		M4X10			
	32830487740	SCREW,MACHINE (SEMS)	2		M4X10			
114	42837377700	SCREW,MACHINE	6		M4X8			
	42837377700	SCREW,MACHINE	6		M4X8			
	42837377700	SCREW,MACHINE	6		M4X8			
115	42837377710	SCREW,MACHINE	4		M4X12			
	42837377710	SCREW,MACHINE	4		M4X12			
	42837377710	SCREW,MACHINE	4		M4X12			
116	42837377720	SCREW,MACHINE	4		M4X14			
	42837377720	SCREW,MACHINE	4		M4X14			
	42837377720	SCREW,MACHINE	4		M4X14			
117	42837377730	WASHER,PLAIN	14		M4			
	42837377730	WASHER,PLAIN	14		M4			
	42837377730	WASHER,PLAIN	14		M4			
118	42837377740	WASHER,SPRING	20		M4			
	42837377740	WASHER,SPRING	20		M4			
	42837377740	WASHER,SPRING	20		M4			
119	42837377750	NUT	6		M4			
	42837377750	NUT	6		M4			
	42837377750	NUT	6		M4			
120	42837377850	LOCK ASSY	1					
	42837377850	LOCK ASSY	1					
	42837377850	LOCK ASSY	1					
121	42837377860	U-NUT	2					
	42837377860	U-NUT	2					
	42837377860	U-NUT	2					

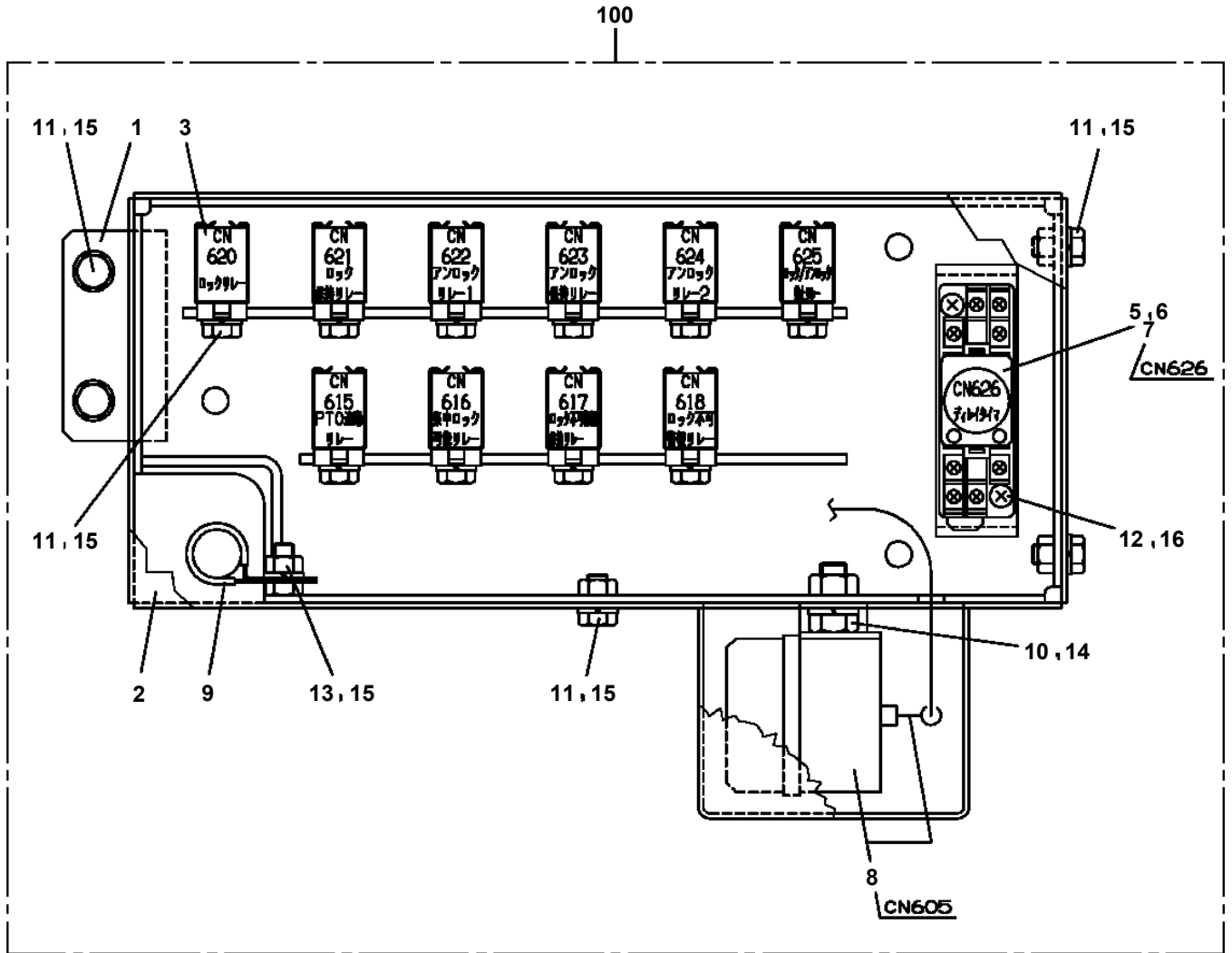
AT-80-3 42006320100 LOWER,MITSUBISHI PDG-FE73BB 1UKA3

Pos No.	Parts No	Parts Name	Qty	Unit	Technical Data	Serial No (Start)	Serial No (End)
22	90302040501	WASHER,SPRING	8		5		
23	90302510301	WASHER,SPRING (SUS 3)	16				
	90302510301	WASHER,SPRING (SUS 3)	16				
	90302510301	WASHER,SPRING (SUS 3)	16				
24	90303520301	WASHER,PLAIN	16		3		
	90303520301	WASHER,PLAIN	16		3		
	90303520301	WASHER,PLAIN	16		3		
25	90303070601	WASHER,PLAIN	4		6		
	90303070601	WASHER,PLAIN	4		6		
	90303070601	WASHER,PLAIN	4		6		
26	82401600506	CLAMP	20		D6.5		
	82401600506	CLAMP	20		D6.5		
	82401600506	CLAMP	20		D6.5		
27	91810132530	FASTENER	20				
	91810132530	FASTENER	20				
	91810132530	FASTENER	20				
28	82100001839	FUSE	1		10A.RED		
	82100001839	FUSE	1		10A.RED		
	82100001839	FUSE	1		10A.RED		
29	42837372150	HARNESS	1			HH5207	HH5258
	42837372151	HARNESS	1			HH5259	HH5273
	42837372152	HARNESS	1			HH5274	
30	42837372160	HARNESS	1			HH5207	
	42837372160	HARNESS	1			HH5207	

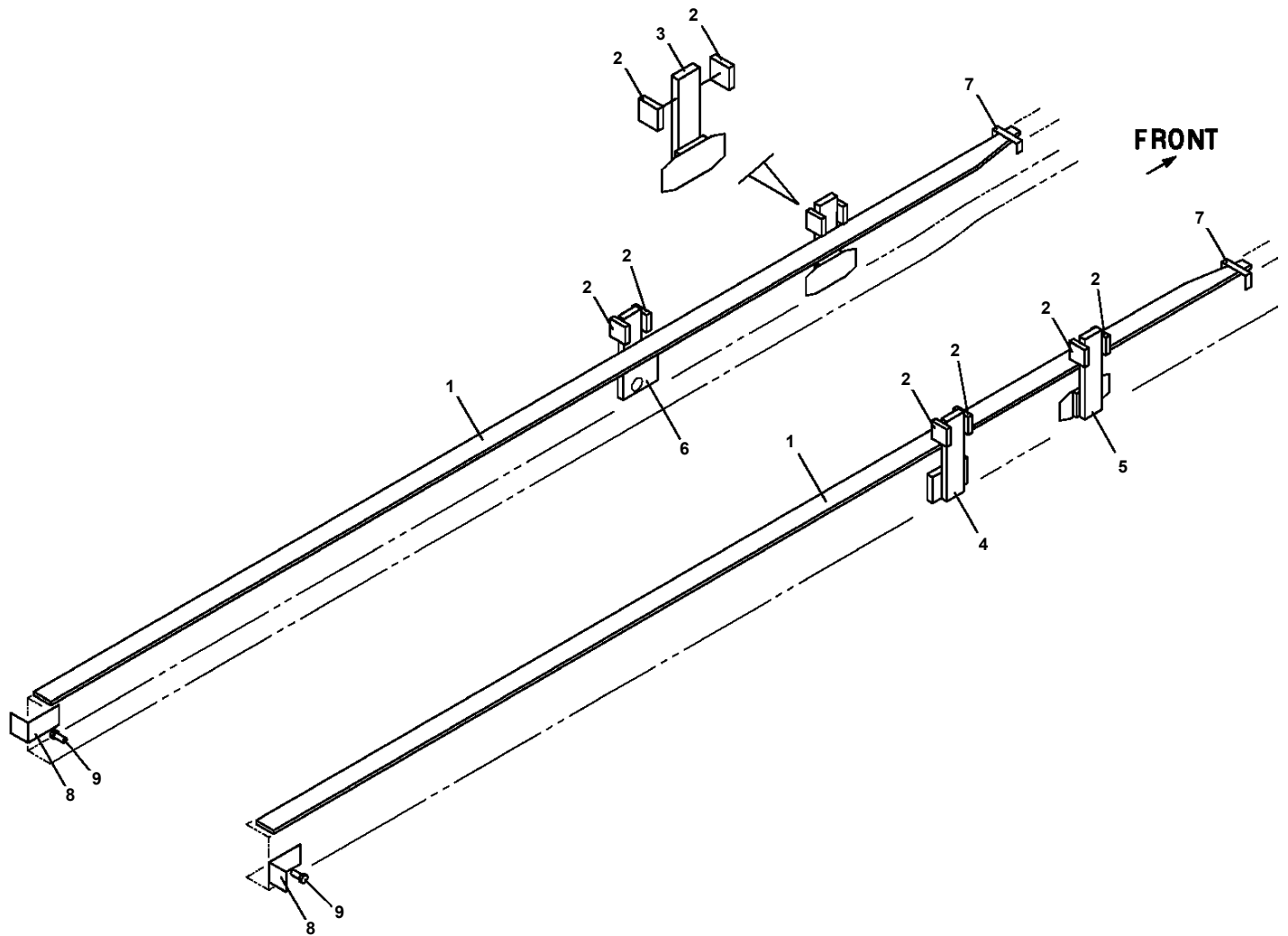
AT-80-3 42006320100 LOWER,MITSUBISHI PDG-FE73BB 1UKA3

Pos No.	Parts No	Parts Name	Qty	Unit	Technical Data	Serial No (Start)	Serial No (End)	Remarks	Page
5	36160017550	HANDLE	1						
6	36160655020	SHAFT	1						
7	36160017560	WASHER,PLAIN	1						
9	36160025010	CORD ASSY (MAIN)	1						
10	36160025020	CLIP	1						
11	36160025030	COVER (CLIP)	1						
13	36160017590	PLATE (CONTACT)	1						
50	36160020000	REEL,CORD	1						

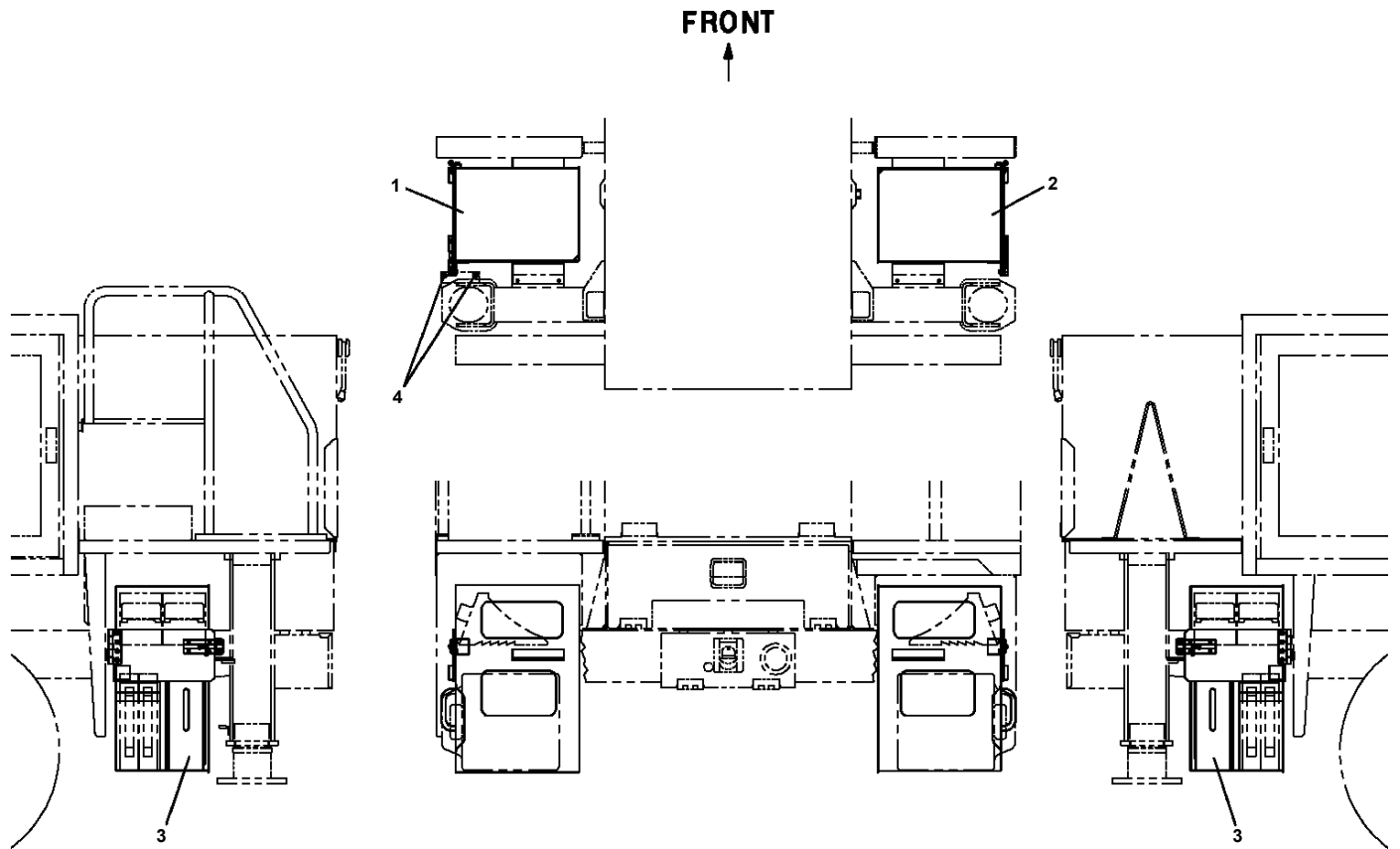
AT-80-3 42006320100 LOWER, MITSUBISHI PDG-FE73BB 1UKA3
PR5100150-00 RELAY BOX ASSY



**AT-80-3 42006320100 LOWER, MITSUBISHI PDG-FE73BB 1UKA3
PX1170827-00 ATTACHMENT PARTS, CRANE FRAME**



**AT-80-3 42006320100 LOWER, MITSUBISHI PDG-FE73BB 1UKA3
PX1270147-00 WOOD BLOCK**



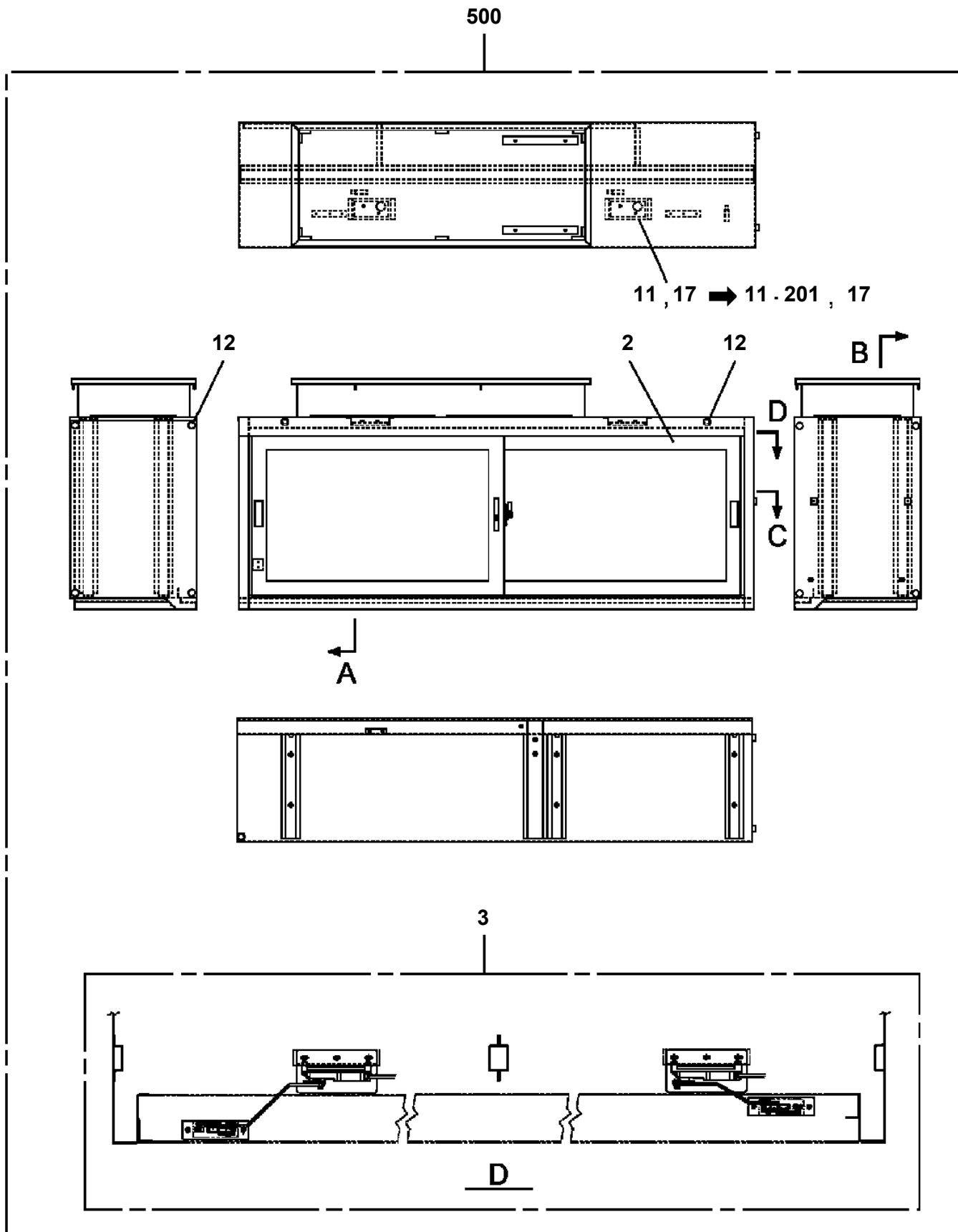
AT-80-3 42006320100 LOWER,MITSUBISHI PDG-FE73BB 1UKA3

Pos No.	Parts No	Parts Name	Qty	Unit	Technical Data	Serial No (Start)	Serial No (End)
2	42835867760	DOOR	1				
3	42835867770	DOOR	1				
4	42835867720	COVER	1				
5	42835867780	STOPPER	2				
6	42835867730	PACKING	8				HH5194
7	42835867790	RUBBER	1				
8	42835867800	TRIM	2				
9	42835257870	CATCH	1				
10	42835257880	RUBBER (WITH DOUBLE-STICK TAPE)	6				
11	42835257900	PLATE	6				
12	42832707520	FASTENER (LEFT)	1				
13	42832707530	FASTENER (RIGHT)	1				
14	82400000393	INSULATOR	4				
15	42835357590	CATCH	1				
16	42835257930	HINGE	4				
17	42833607680	CAP	2				
18	42833077610	BUSH	14				
19	42834457590	SCREW,MACHINE (SEMS)	2		M4X12		
20	42834457620	SCREW,MACHINE (SEMS)	2		M4X16		
21	32830487660	SCREW,MACHINE (SEMS)	4		M4X12		
22	42834627540	SCREW,MACHINE (SEMS)	6		M4X8		
23	80175804010	SCREW,MACHINE	18		M4X10		
24	42835257950	SCREW,MACHINE	2		M5X10		
25	42834877610	NUT	4		M12		
26	32830537780	WASHER,PLAIN	2		M12		
27	42834967580	RIVET	10				
100	42835861502	BOX,TOOL	1				

AT-80-3 42006320100 LOWER,MITSUBISHI PDG-FE73BB 1UKA3

Pos No.	Parts No	Parts Name	Qty	Unit	Technical Data	Serial No (Start)	Serial No (End)
2	42835867510	DOOR ASSY (SLIDING DOOR)	1				
3	42835867810	RACK	2				
4	42836077600	SUPPORT	8				
5	42835867540	PILLAR (DOORJAMB)	1				
6	42835867550	PILLAR (DOORJAMB)	1				
7	42835867560	RAIL	1				
8	42835867820	SEAT (WITH DOUBLE-STICK TAPE)	1				
9	42835867580	SEAL (TAPE)	1		L=1820MM		
10	42835867600	HARNES ASSY	1				
11	42835257620	PLATE	4				
12	42835767580	STOPPER	1				
13	42833077610	BUSH	8				
14	42835257625	WATER STRIP (MOHAIR)	1		L=650		
16	42500577560	SCREW,MACHINE (SEMS)	7		M4X8		
17	42835257650	SCREW,MACHINE (WITH WASHER)	4		M5X20		
18	42835467840	SCREW,MACHINE (WITH W,SW)	2		M5X22		
19	42835257660	SCREW,MACHINE	8		M4X18		
20	42835257680	SCREW,MACHINE (WITH SW,N)	6		M5X10		
21	42835867640	BOLT (WITH W,SW)	4		M6X10		
22	42835867650	NUT (SPEED NUT)	4		M6		
23	42835867840	GROMMET	1				
100	42835861104	BOX,TOOL	1				

AT-80-3 42006320100 LOWER, MITSUBISHI PDG-FE73BB 1UKA3
 PX1351246-01 BOX, TOOL



展開図有
 ILLUSTRATED BREAKDOWN NO. 3

AT-80-3 42006320100 LOWER,MITSUBISHI PDG-FE73BB 1UKA3

Pos No.	Parts No	Parts Name	Qty	Unit	Technical Data	Serial No (Start)	Serial No (End)	Remarks	Pages
1	90101208012	BOLT	2		M8X12				

AT-80-3 42006320100 LOWER,MITSUBISHI PDG-FE73BB 1UKA3

Pos No.	Parts No	Parts Name	Qty	Unit	Technical Data	Serial No (Start)	Serial No (End)
1	42971090200	HARNESS	1				
2	82473012600	SWITCH	4				
3	80172803010	SCREW,MACHINE	16		M3X10		
5	42970870100	SUPPORT	2				
6	90101206014	BOLT	8		M6X14		
7	90302040601	WASHER,SPRING	8		6		
8	42970870200	SUPPORT	2				
9	42970190010	SUPPORT	1				
10	80147310450	RIVET	16		NSA4-5		
11	42970190020	SUPPORT	1				
12	82401600506	CLAMP	N		D6.5		
13	91810132530	FASTENER	20				
14	42970870300	SUPPORT	1				
15	42809631200	LAMP ASSY (RED,WITH HARNESS)	1				
16	90101208020	BOLT	2		M8X20		
17	90280200800	NUT,FLANGE	2		M8		
19	82100002597	RELAY	2				
20	42970870401	HARNESS	2				
22	42970190900	PLATE,NAME	1				
25	42652990200	BUZZER ASSY	1				
26	80172304012	SCREW,MACHINE	2		M4X12		
27	90302040401	WASHER,SPRING	2		4		
28	90201200400	NUT	2		M4		
29	42970190030	SUPPORT	1				
30	42970190040	SUPPORT	1				
31	42970190060	PLATE	4				
32	90303520301	WASHER,PLAIN	16		3		
33	90302510301	WASHER,SPRING (SUS 3)	16				
34	90101205010	BOLT	8		M5X10		
35	90302040501	WASHER,SPRING	8		5		
36	82100002002	CLAMP	4		WR6		
37	42970380010	PLATE	N		T=0.8		

CLICK HERE TO **DOWNLOAD** THE COMPLETE MANUAL

- Thank you very much for reading the preview of the manual.
- You can download the complete manual from: www.heydownloads.com by clicking the link below



- Please note: If there is no response to CLICKING the link, please download this PDF first and then click on it.

CLICK HERE TO **DOWNLOAD** THE COMPLETE MANUAL