

AT-72-1 43003100002 UPPER

PD2000026-00 SWING UNIT

PG2000034-00 BOOM UNIT

PJ3000194-01 BUCKET SYSTEM

PK2000110-00 FRAME UNIT

PO1000131-03 INDICATION PLATES

PW1000118-00 ACCESSORIES & TOOLS

PY1000914-01 OPTIONS

ASSEMBLY

CLICK HERE TO **DOWNLOAD** THE COMPLETE MANUAL

- Thank you very much for reading the preview of the manual.
- You can download the complete manual from: www.heydownloads.com by clicking the link below



- Please note: If there is no response to CLICKING the link, please download this PDF first and then click on it.

CLICK HERE TO **DOWNLOAD** THE COMPLETE MANUAL

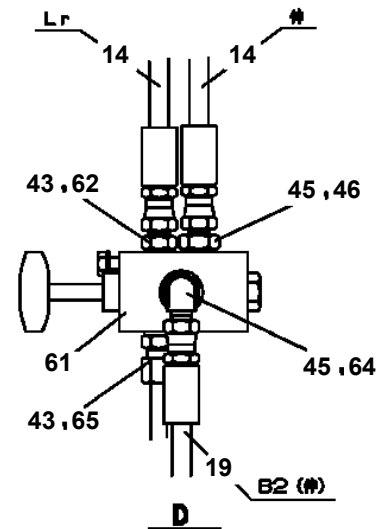
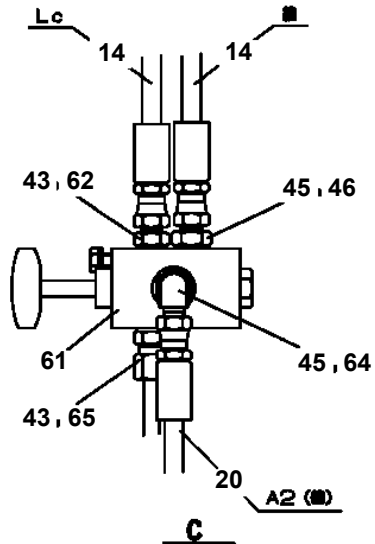
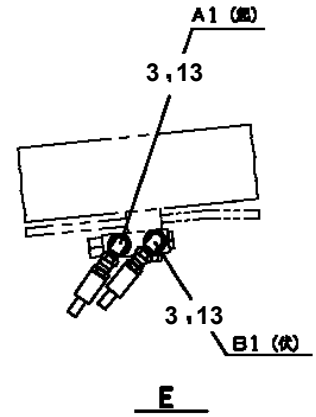
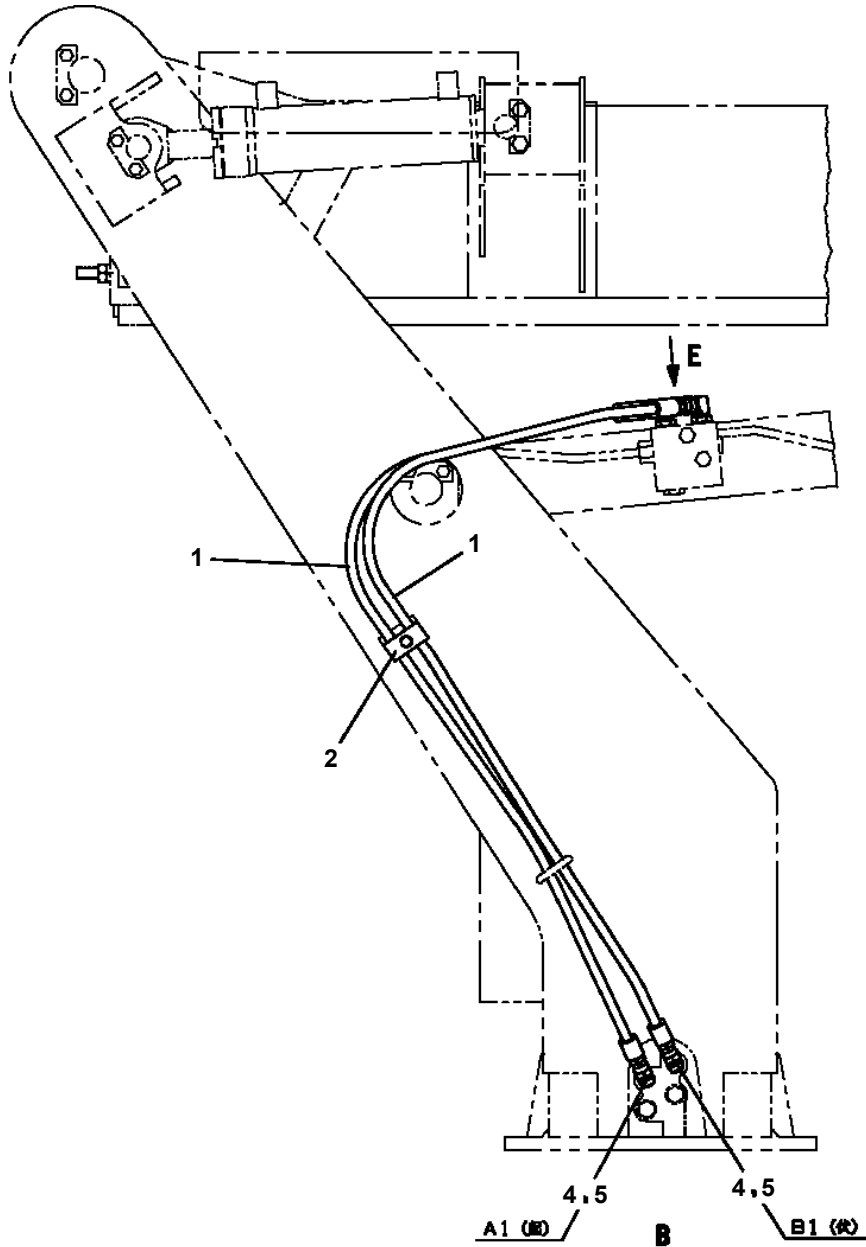
AT-72-1 43003100002 UPPER

Pos No.	Parts No	Parts Name	Qty	Unit	Technical Data	Serial No (Start)	Serial No
1	(*****)	PLATE ASSY,NAME	1				
2	(*****)	PLATE ASSY,NAME (LOWER CONTROL)	1				
3	(*****)	PLATE ASSY,NAME (EMERGENCY CONTROL)	1				
4	(*****)	MARKING (SWING)	1				

AT-72-1 43003100002 UPPER

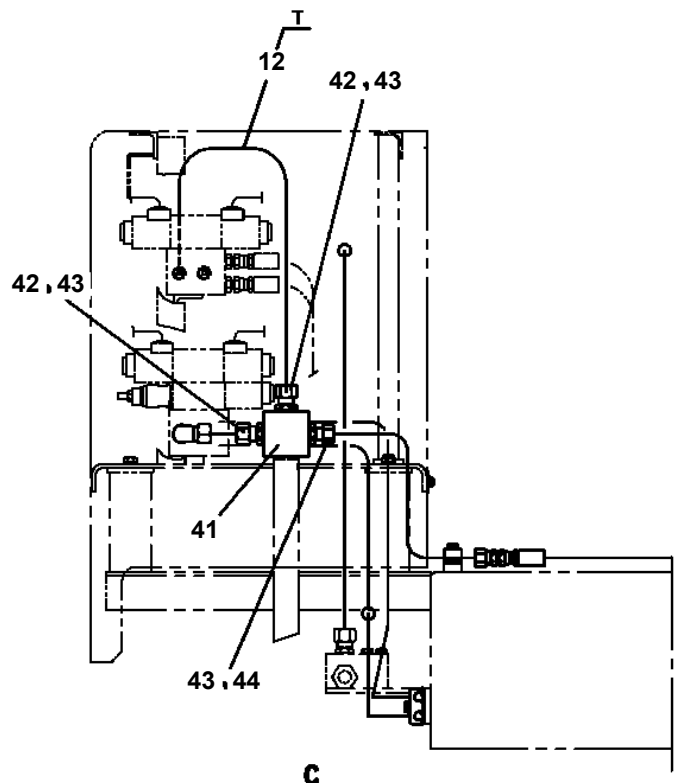
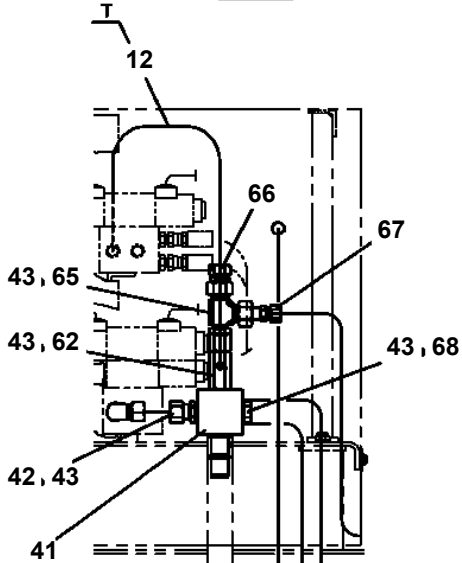
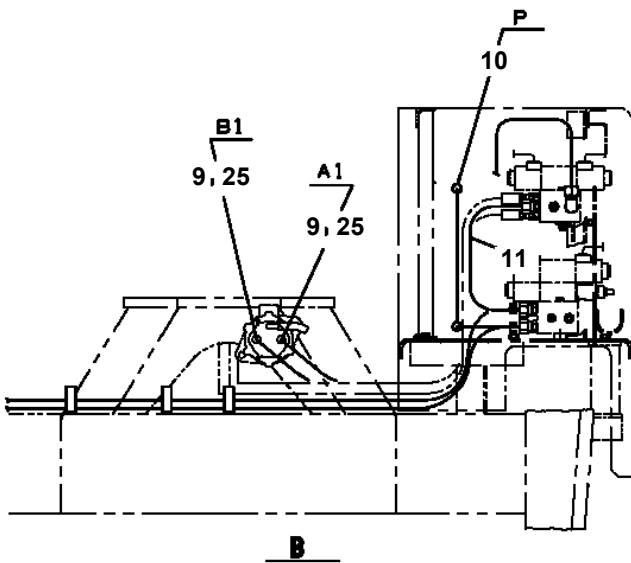
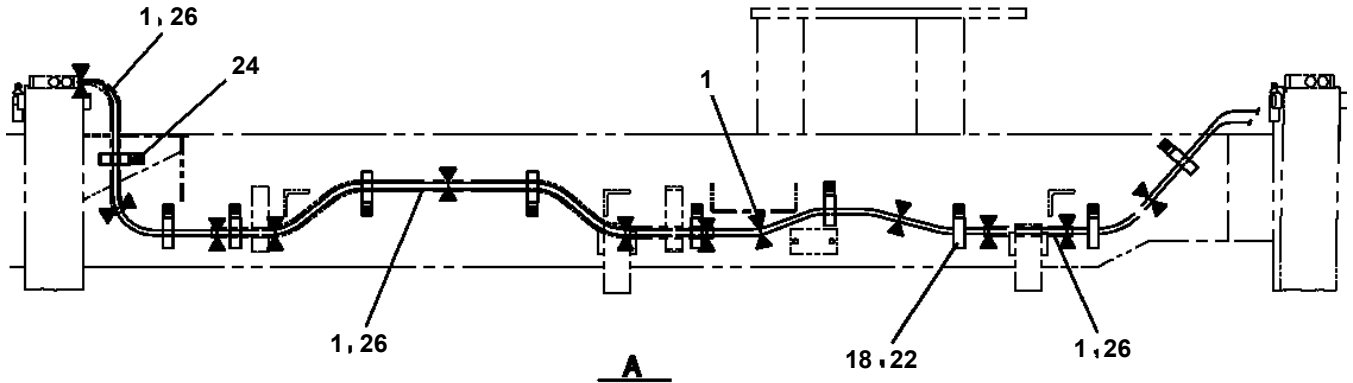
Pos No.	Parts No	Parts Name	Qty	Unit	Technical Data	Serial No (Start)	Serial No (End)	Remarks	Pages
1	36102680001	TANK,OIL	1						000009
2	90101212025	BOLT	6		M12X25				
3	90302041201	WASHER,SPRING	6		12				
4	31660630300	BAND	2						
5	31660630400	CUSHION	2						
6	90201201000	NUT	4		M10				
7	31660631001	SUPPORT	1						

**AT-72-1 4300310002 UPPER
PB1400344-01 PIPING,UPPER**



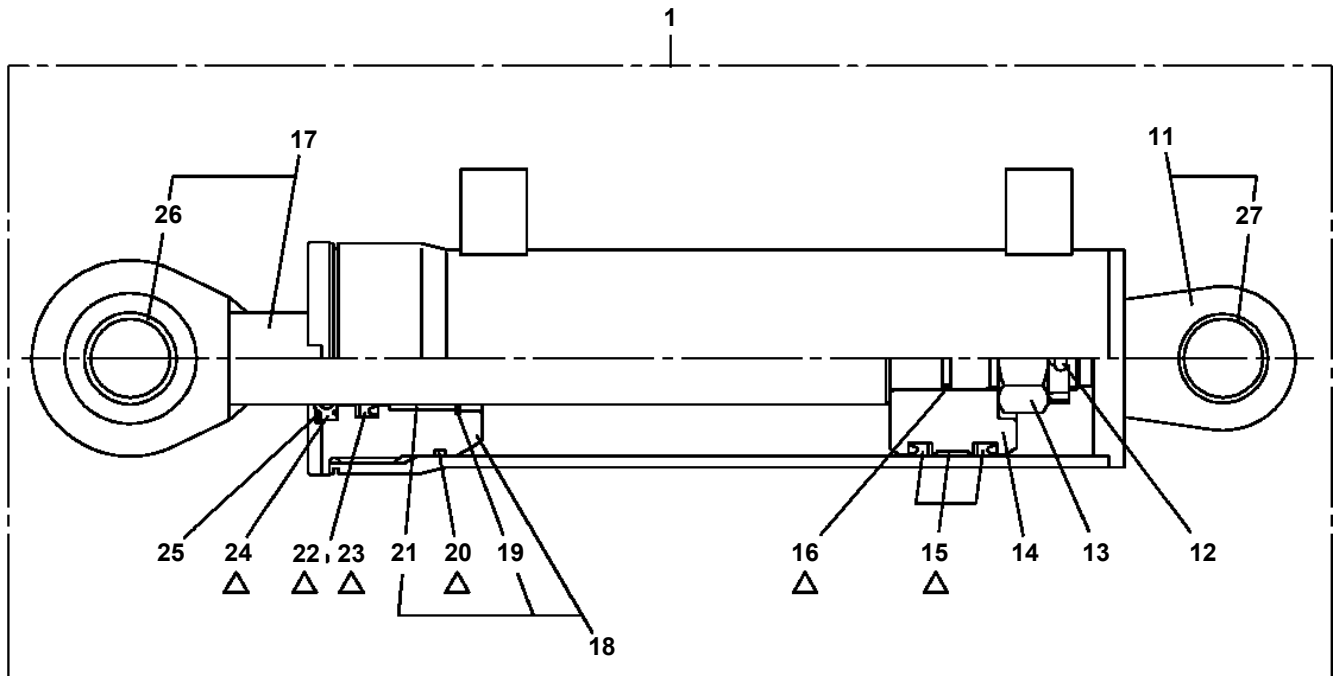
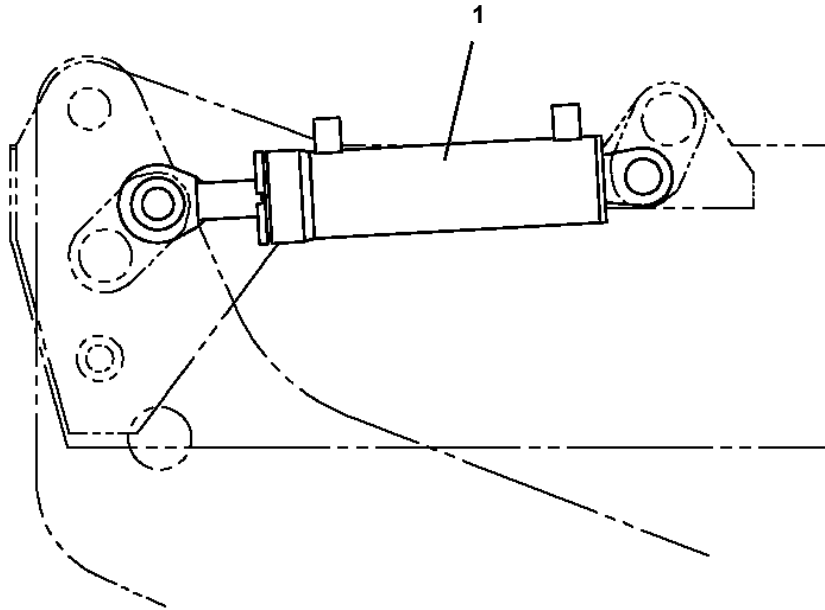
**AT-72-1 43003100002 UPPER
PC1200454-03 PIPING,OUTRIGGER**

→ **FRONT**



C

AT-72-1 43003100002 UPPER
PE1050061-04 CYLINDER,LEVELING (LOWER)



Δ:PACKING SET KEY NO.40 (KEY NO.15,16,20,22,23,24)

AT-72-1 4300310002 UPPER

Pos No.	Parts No	Parts Name	Qty	Unit	Technical Data	Serial No (Start)	Serial No (End)	Remarks
1	80400160127	JOINT	2					
2	91002801100	O-RING	5		1B P11			
3	37002473130	HOSE	1		L=390			
4	37002473140	HOSE	1		L=310			
5	37000924410	JOINT	1		PF1/4-PF1/4			
6	36033124000	ORIFICE	2					
7	37000924960	JOINT (WITH O-RING)	1					
8	80320010075	FITTING	10		KUD12-020N			
9	37002474090	HOSE	2		L=2700			
10	31342190500	SUPPORT	1					
11	90101210016	BOLT	12		M10X16			
12	90302041001	WASHER,SPRING	14		10			
13	90302040801	WASHER,SPRING	4		8			
14	31342190300	SUPPORT	1					
15	37000711430	CLAMP ASSY	3		18X4			
16	37000300740	SLEEVE	12		18-12			
17	31342190200	COVER	1					
18	90180206012	BOLT,BUTTON	10		M6X12			
19	90302040601	WASHER,SPRING	10		6			
20	90303070601	WASHER,PLAIN	10		6			
23	37000711080	CLAMP ASSY	3		12-2			
24	80175305010	SCREW,MACHINE	4		M5X10			
26	31342190100	CABLE CONVEYER	1					
27	31342190400	SUPPORT	1					
28	81408000160	PIPE,STEEL	2	M	12X1.4T			
29	81408000160	PIPE,STEEL	2	M	12X1.4T			
30	80303010100	FITTING,ELBOW	2		KLA12-000N			
31	81408000160	PIPE,STEEL	1	M	12X1.4T			
32	81408000160	PIPE,STEEL	1	M	12X1.4T			
33	80305010100	FITTING,TEE	2		KTA12-000N			
34	37000922870	JOINT	2					
35	37002473160	HOSE	1		L=390			
36	37002473170	HOSE	1		L=480			
37	37000713180	CLAMP ASSY	1		15X2			
38	91810132530	FASTENER	1					
39	81408000160	PIPE,STEEL	1	M	12X1.4T			
40	81408000160	PIPE,STEEL	1	M	12X1.4T			
41	81408000160	PIPE,STEEL	1	M	12X1.4T			
42	81408000160	PIPE,STEEL	1	M	12X1.4T			
43	37002474100	HOSE	1		L=410			
44	37002444470	HOSE	1		L=400			
45	80481103020	JOINT	2		PF3/8-PF1/4			
46	37000711490	CLAMP ASSY	1		18X6			
47	91002801400	O-RING	2		1B P14			
49	90101208018	BOLT	4		M8X18			
50	31342023100	JOINT	1					
51	59457138000	PLUG ASSY	2					
52	31342023200	COVER	1					
53	90186208016	BOLT,FLANGE	2		M8X16			
71	31342191100	SUPPORT	1					
72	37002012780	PLATE,SLIDE	2					
73	90172106012	BOLT,HEXAGON SOCKET	8		M6X12			
81	31342022100	SUPPORT	1					
91	91002801100	O-RING	1		1B P11			

AT-72-1 43003100002 UPPER

Pos No.	Parts No	Parts Name	Qty	Unit	Technical Data	Serial No (Start)	Serial No (End)	Remarks	Pages
100	31654554500	HARNESS	1						

AT-72-1 43003100002 UPPER

Pos No.	Parts No	Parts Name	Qty	Unit	Technical Data	Serial No (Start)	Serial No (End)	Remarks	Pages
26	82100001839	FUSE	1		10A.RED				
27	42477650020	COVER	1		T=0.5				
100	42332061301	HARNESS	1						

AT-72-1 43003100002 UPPER

Pos No.	Parts No	Parts Name	Qty	Unit	Technical Data	Serial No (Start)	Serial No (End)	Remarks
1	36649835010	VALVE,SOLENOID	3					
3	36649835030	BOLT,HEXAGON SOCKET	12		M5X50			
100	36649830000	VALVE,SOLENOID	1					

CLICK HERE TO **DOWNLOAD** THE COMPLETE MANUAL

- Thank you very much for reading the preview of the manual.
- You can download the complete manual from: www.heydownloads.com by clicking the link below



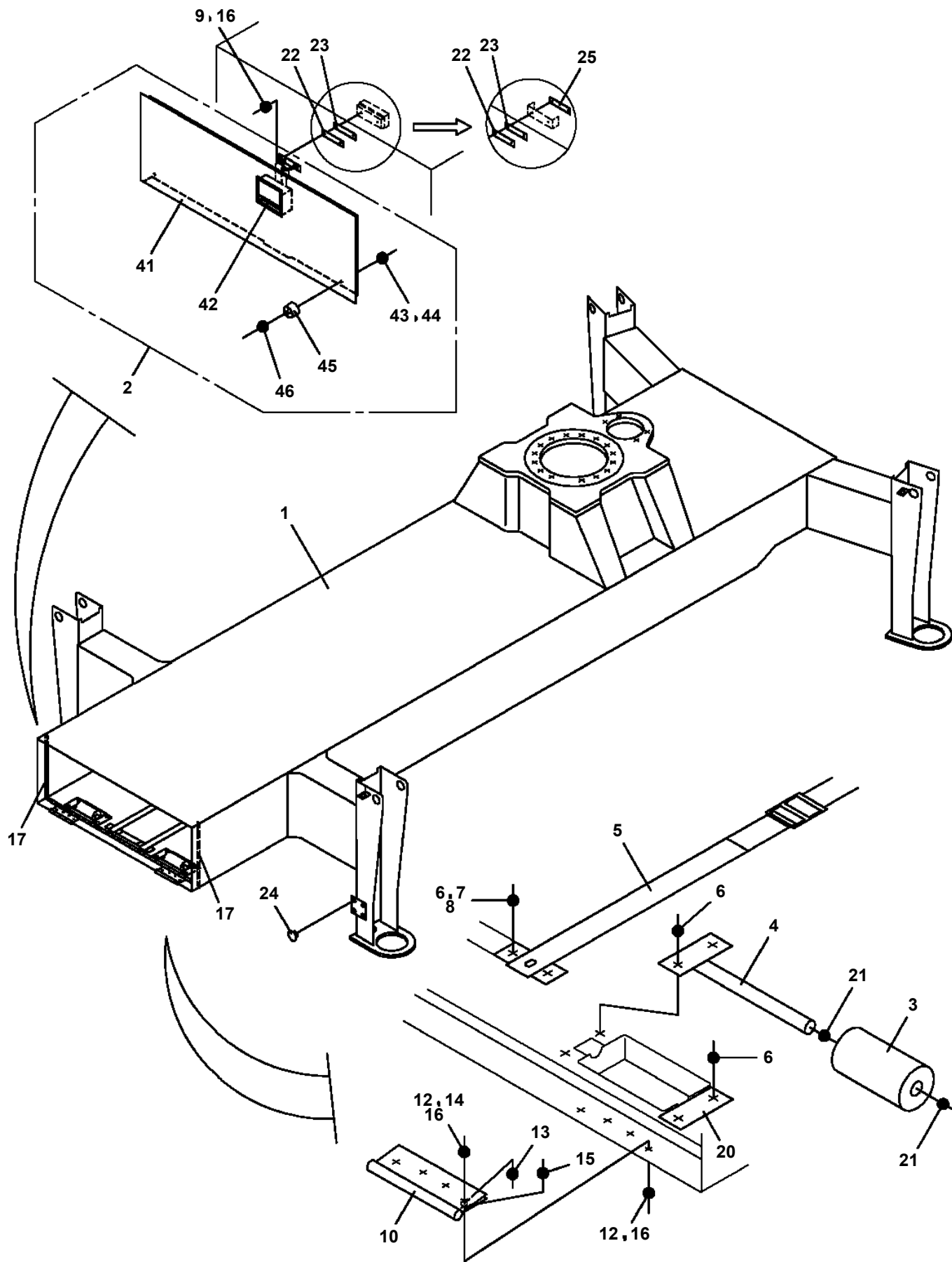
- Please note: If there is no response to CLICKING the link, please download this PDF first and then click on it.

CLICK HERE TO **DOWNLOAD** THE COMPLETE MANUAL

AT-72-1 43003100002 UPPER

Pos No.	Parts No	Parts Name	Qty	Unit	Technical Data	Serial No (Start)	Serial No (End)	Remark
1	80316100040	PLUG	1		PF1/2			
2	91002801800	O-RING	1		1B P18			
7	91002801600	O-RING	1		1B P16			
10	36605515030	SPRING	1					
11	91002902500	O-RING	1		1B G25			
12	36605515040	GUIDE	1					
13	36605515050	COVER	1					
14	36620030010	PLUG	1		PF3/8			
15	91002801400	O-RING	2		1B P14			
16	52255101000	SPRING	1					
18	36605515060	PISTON	1					
19	91002801000	O-RING	1		1B P10			
20	80316100030	PLUG	1		G3/8			
21	91002801200	O-RING	2		1B P12			
22	90131708035	BOLT,HEXAGON SOCKET	4		M8X35			
23	80316090020	PLUG	3		KKT PT1/8			
31	36605515070	BODY ASSY	1					
32	36605515080	VALVE,CHECK	1				HH5028	
	36605515081	VALVE,CHECK	1			HH5029	HH5058	
	36605515082	VALVE,CHECK	1			HH5059		
50	36605510001	VALVE,COUNTERBALANCE	1					

AT-72-1 43003100002 UPPER
PK1010692-02 FRAME



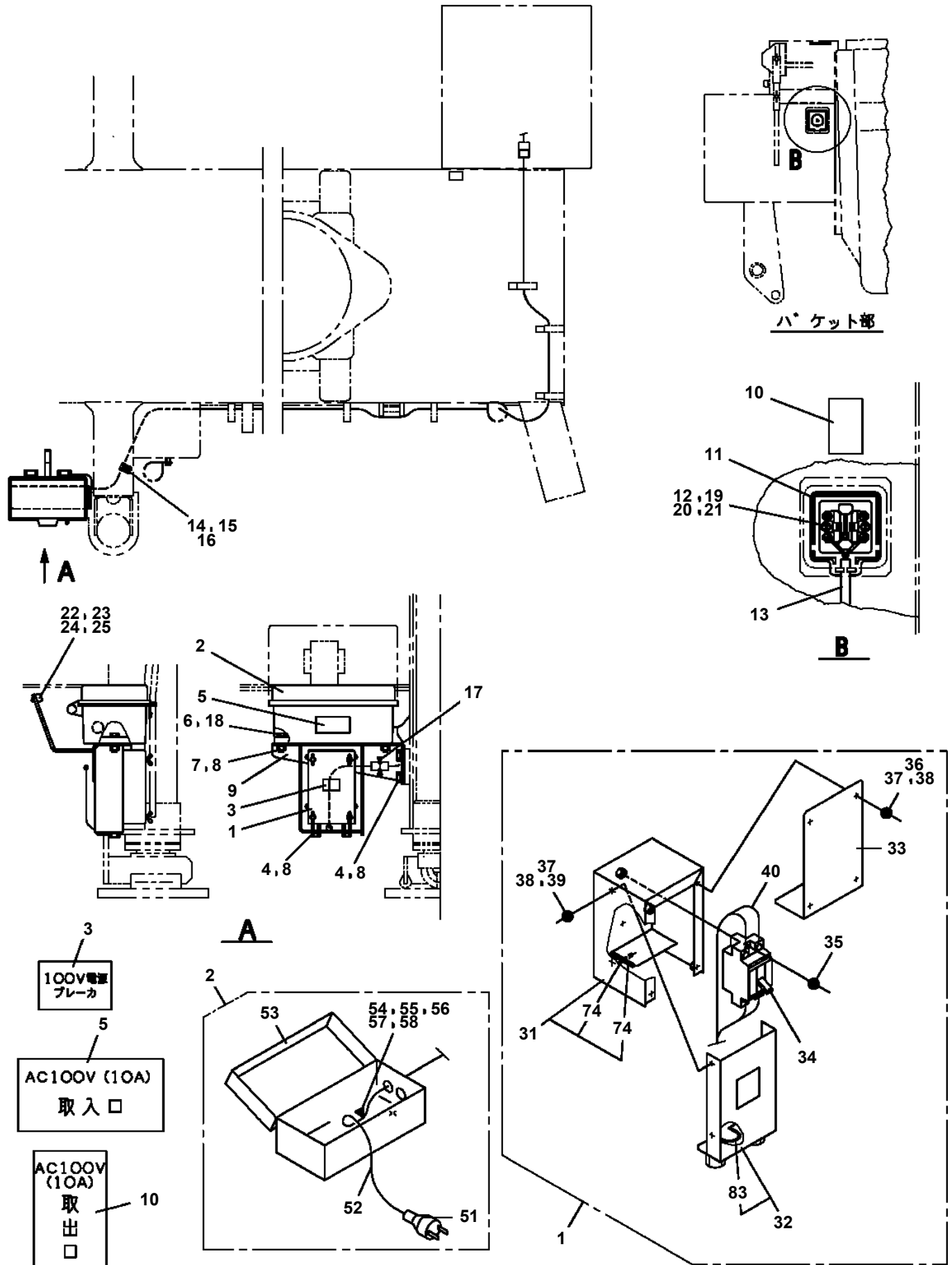
AT-72-1 4300310002 UPPER

Pos No.	Parts No	Parts Name	Qty	Unit	Technical Data	Serial No (Start)	Serial No (End)	Remarks
3	31324081001	SUPPORT	1					
4	31324082001	SUPPORT	1					
5	31324083001	COVER ASSY	1					
6	90101208075	BOLT	2		M8X75			
7	90302040801	WASHER,SPRING	14		8			
8	90101210018	BOLT	4		M10X18			
9	90302041001	WASHER,SPRING	4		10			
10	90180208012	BOLT,BUTTON	8		M8X12			
11	37000547660	PLATE	8		T=2.3			
12	90101208085	BOLT	2		M8X85			
13	90201200800	NUT	2		M8			
14	90101208016	BOLT	2		M8X16			
15	12434402040	SPRING	1					
16	80172305008	SCREW,MACHINE	2		M5X8			
17	31324080300	SUPPORT	1					
18	90303071001	WASHER,PLAIN	4		10	HH5007		
31	36648430000	VALVE,SOLENOID CONTROL	1					
32	80302090181	FITTING	3		KCO15-030N			
33	91002801400	O-RING	5		1B P14			
34	37000924590	JOINT	2		S G1/4-G1/4			
35	91002801100	O-RING	14		1B P11			
36	37000928570	JOINT	6					
37	80302090141	FITTING	2		KCO12-020N			
38	80303130181	FITTING,ELBOW	2		KLO15-030E			
51	36649830000	VALVE,SOLENOID	1					
52	80400160127	JOINT	6					
68	82400000205	GROMMET	2					
81	31324083101	COVER	1					
82	31324083301	COVER	1					
83	90180208016	BOLT,BUTTON	8		M8X16			
84	90302040801	WASHER,SPRING	8		8			
85	90303070801	WASHER,PLAIN	8		8			

AT-72-1 43003100002 UPPER

Pos No.	Parts No	Parts Name	Qty	Unit	Technical Data	Serial No (Start)	Serial No (End)	Remarks	Pages
1	82104501130	SWITCH,LIMIT	2						
2	31350440100	SUPPORT	1						
3	90101206012	BOLT	3		M6X12				
4	90302040601	WASHER,SPRING	3		6				
5	90102210030	BOLT	2		M10X30				
6	90201201000	NUT	2		M10				
7	82100002041	CLAMP	2						
8	90302040801	WASHER,SPRING	4		8				
9	90201200800	NUT	2		M8				
10	90101208016	BOLT	2		M8X16				
11	42353000010	SUPPORT	1						
12	37000714040	CLAMP ASSY	1		18X2				
13	91810132530	FASTENER	5						

AT-72-1 43003100002 UPPER
 PN1012808-02 ELEC.ASSY (100V POWER SOURCE OUTLET)



AT-72-1 43003100002 UPPER

Pos No.	Parts No	Parts Name	Qty	Unit	Technical Data	Serial No (Start)	Serial No (End)	Remarks	Pages
1	42500991100	HARNESS	1						000034
2	91810130230	FASTENER	1						
3	42477640080	PLATE,NAME	1						
4	82119422100	CONNECTOR	1						
5	80175304020	SCREW,MACHINE	2		M4X20				
6	42479193000	HARNESS	1						000032
7	90303070401	WASHER,PLAIN	2		4				
8	90302040401	WASHER,SPRING	2		4				
9	90201200400	NUT	2		M4				

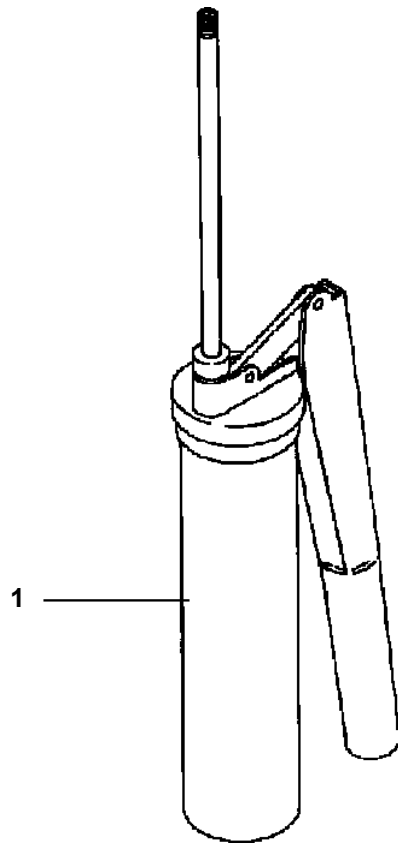
AT-72-1 43003100002 UPPER

Pos No.	Parts No	Parts Name	Qty	Unit	Technical Data	Serial No (Start)	Serial No (End)
78	80172304012	SCREW,MACHINE	2		M4X12		
79	90201200400	NUT	2		M4		
80	90302040401	WASHER,SPRING	2		4		
81	90303070401	WASHER,PLAIN	2		4		
82	42475910010	PLATE,NAME	1				
138	82100002308	COVER	1				
154	82100005004	LENS (RED)	4				
300	31654551000	RELAY	1				

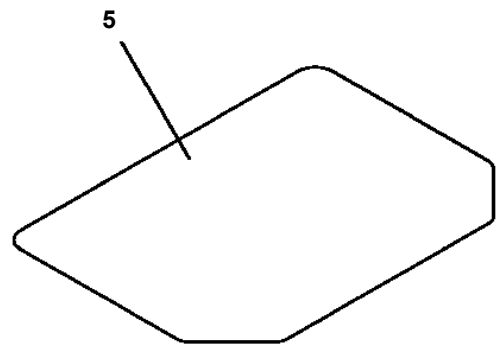
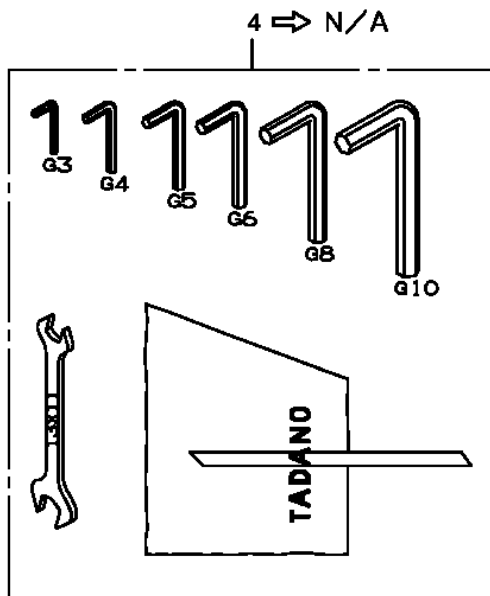
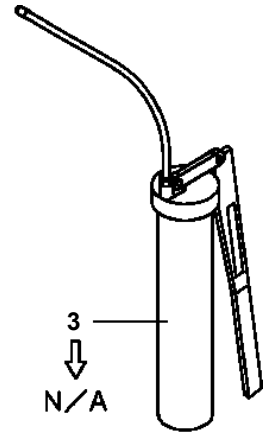
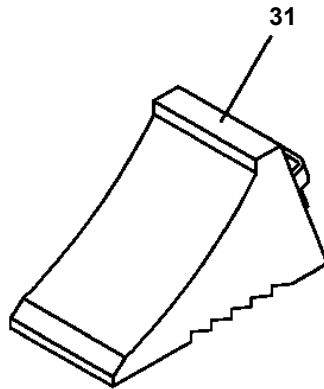
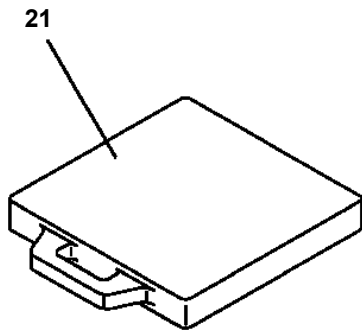
AT-72-1 43003100002 UPPER

Pos No.	Parts No	Parts Name	Qty	Unit	Technical Data	Serial No (Start)	Serial No (End)	Remarks	Pages
9	82161202010	RELAY	2						
41	34351562510	BOX,FUSE	1						
42	82100001839	FUSE	6		10A.RED				
44	82100001841	FUSE	4		20A,YELLOW				
45	82100001843	FUSE	4		30A.GREEN				
49	82182809623	DIODE	1						
100	31654554001	HARNESS	1						

**AT-72-1 43003100002 UPPER
PP5450004-00 PUMP, GREASE (400CC)**



**AT-72-1 43003100002 UPPER
PW1010297-01 ACCESSORIES**



CLICK HERE TO **DOWNLOAD** THE COMPLETE MANUAL

- Thank you very much for reading the preview of the manual.
- You can download the complete manual from: www.heydownloads.com by clicking the link below



- Please note: If there is no response to CLICKING the link, please download this PDF first and then click on it.

CLICK HERE TO **DOWNLOAD** THE COMPLETE MANUAL