

AT-255-1 42098120100 LOWER,MITSUBISHI KK-FH21GG1

PO1000171-00 INDICATION PLATES

PX2001321-00 CARRIER UNIT

PX3000043-00 MOUNTING UNIT

ASSEMBLY

CLICK HERE TO **DOWNLOAD** THE COMPLETE MANUAL

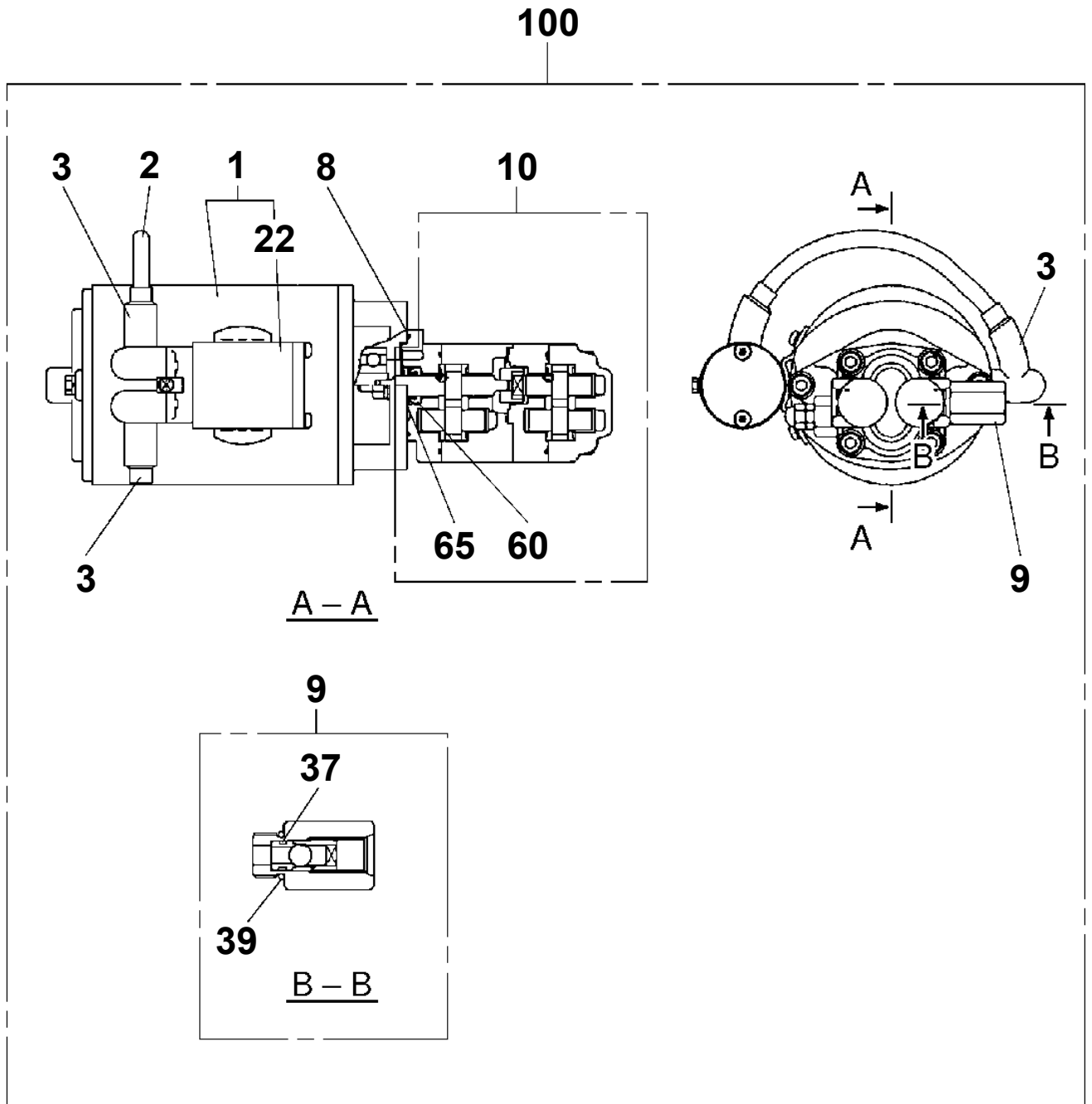
- Thank you very much for reading the preview of the manual.
- You can download the complete manual from: www.heydownloads.com by clicking the link below



- Please note: If there is no response to CLICKING the link, please download this PDF first and then click on it.

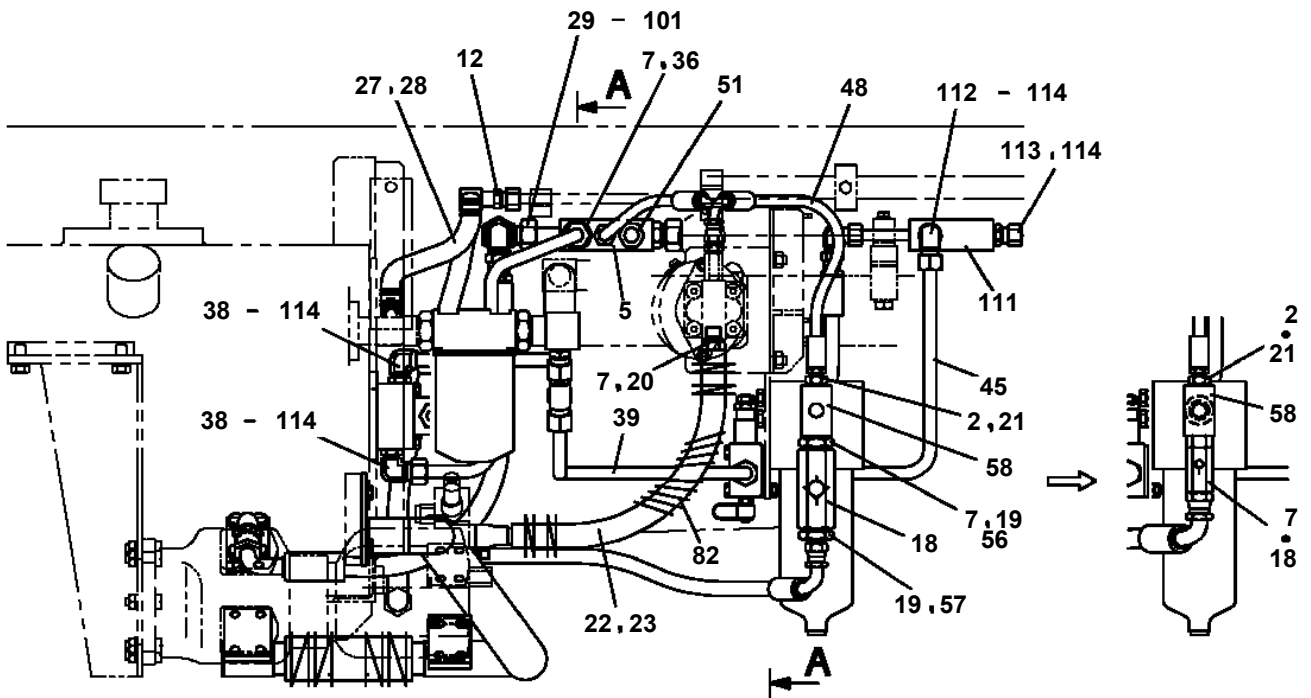
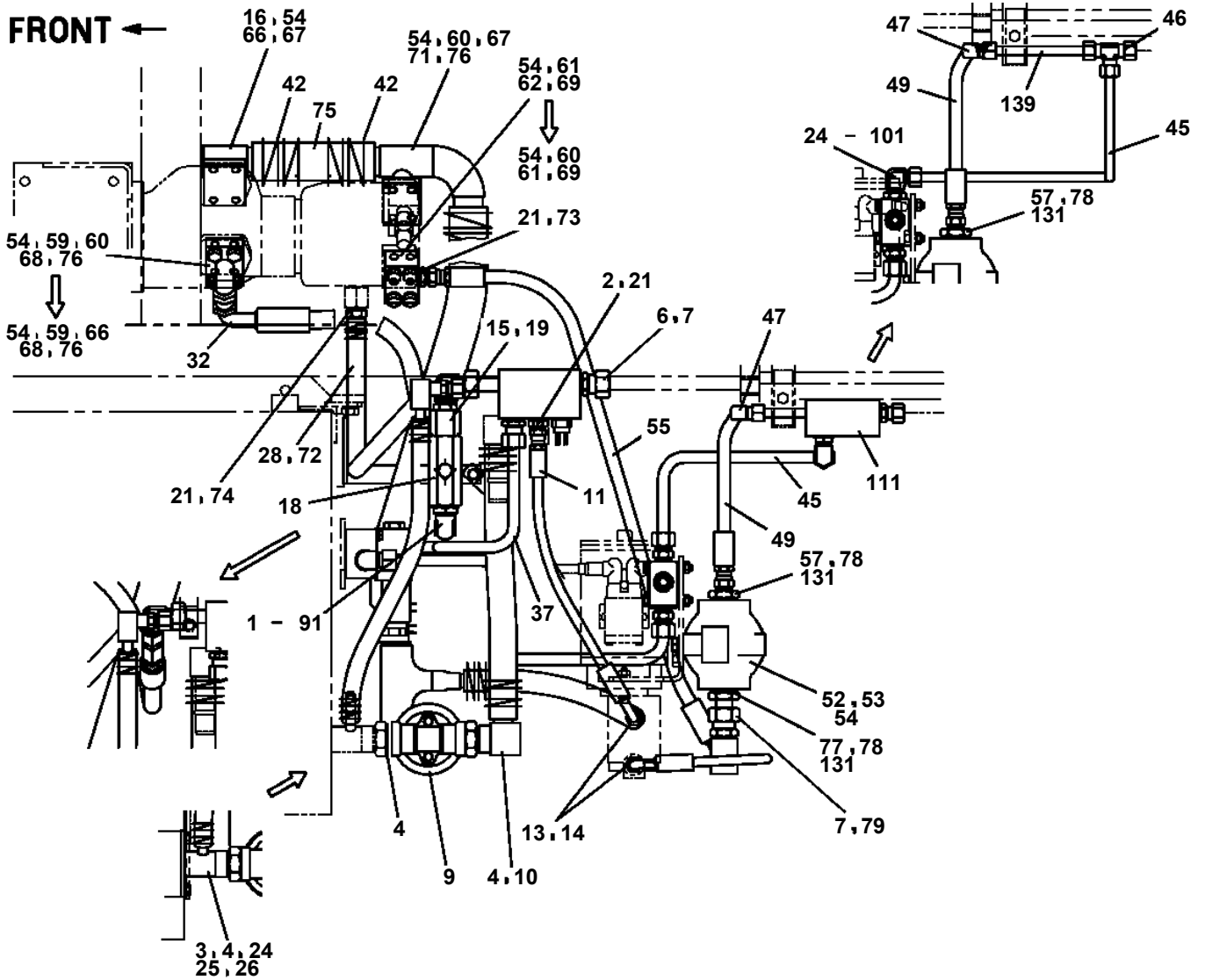
CLICK HERE TO **DOWNLOAD** THE COMPLETE MANUAL

AT-255-1 42098120100 LOWER, MITSUBISHI KK-FH21GG1
PB1100242-00 PUMP, HYDRAULIC

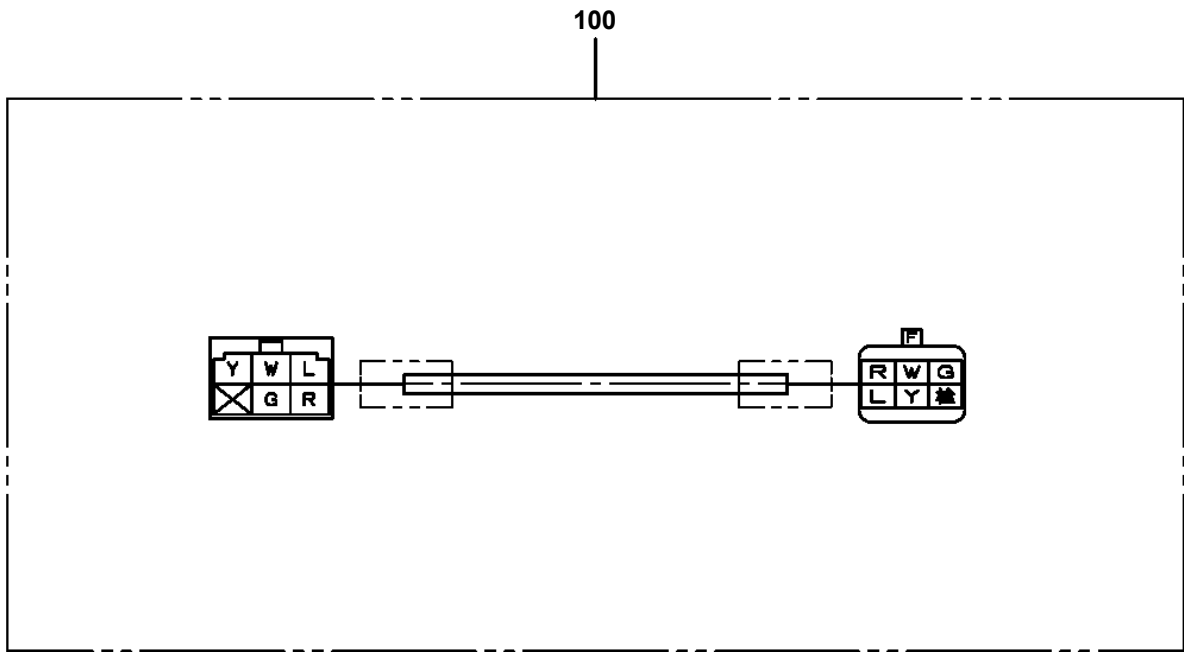


**AT-255-1 42098120100 LOWER, MITSUBISHI KK-FH21GG1
PB1411246-06 PIPING, LOWER**

FRONT ←

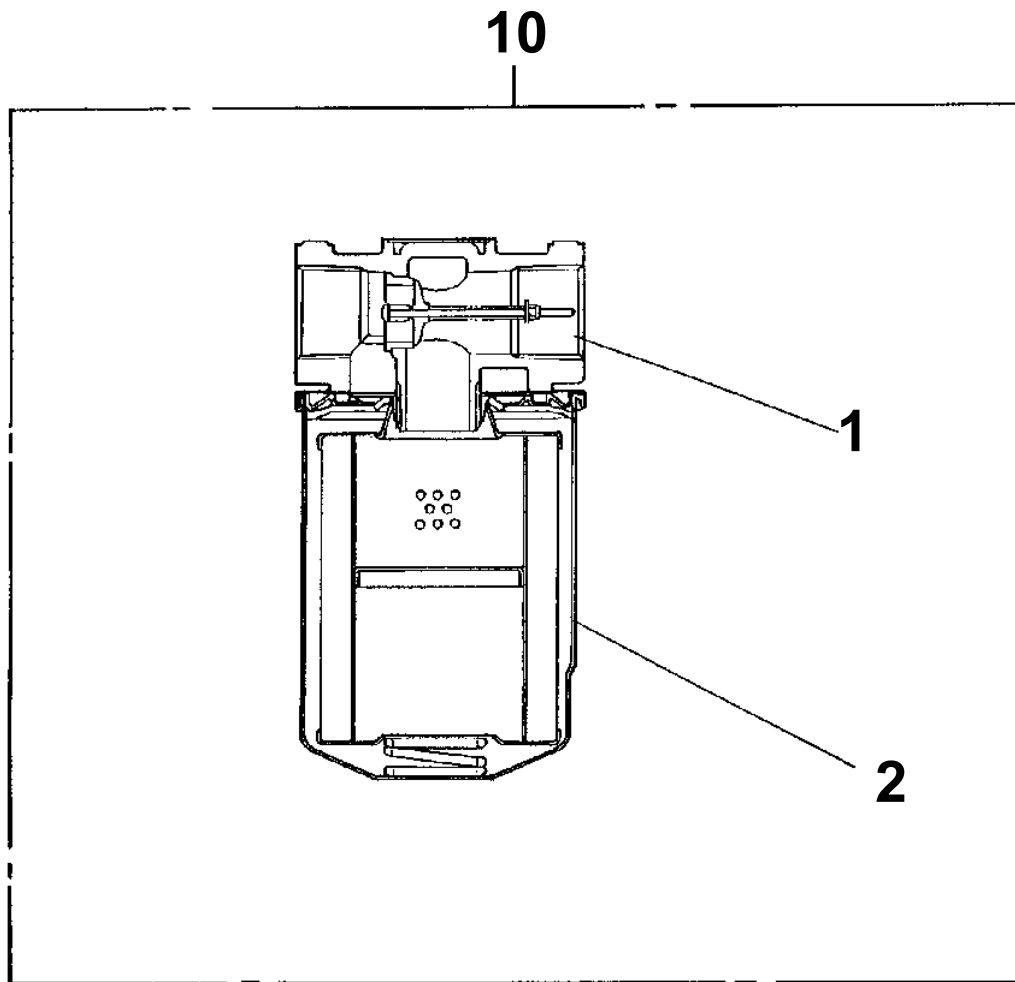


AT-255-1 42098120100 LOWER, MITSUBISHI KK-FH21GG1
PH5034137-00 HARNESS

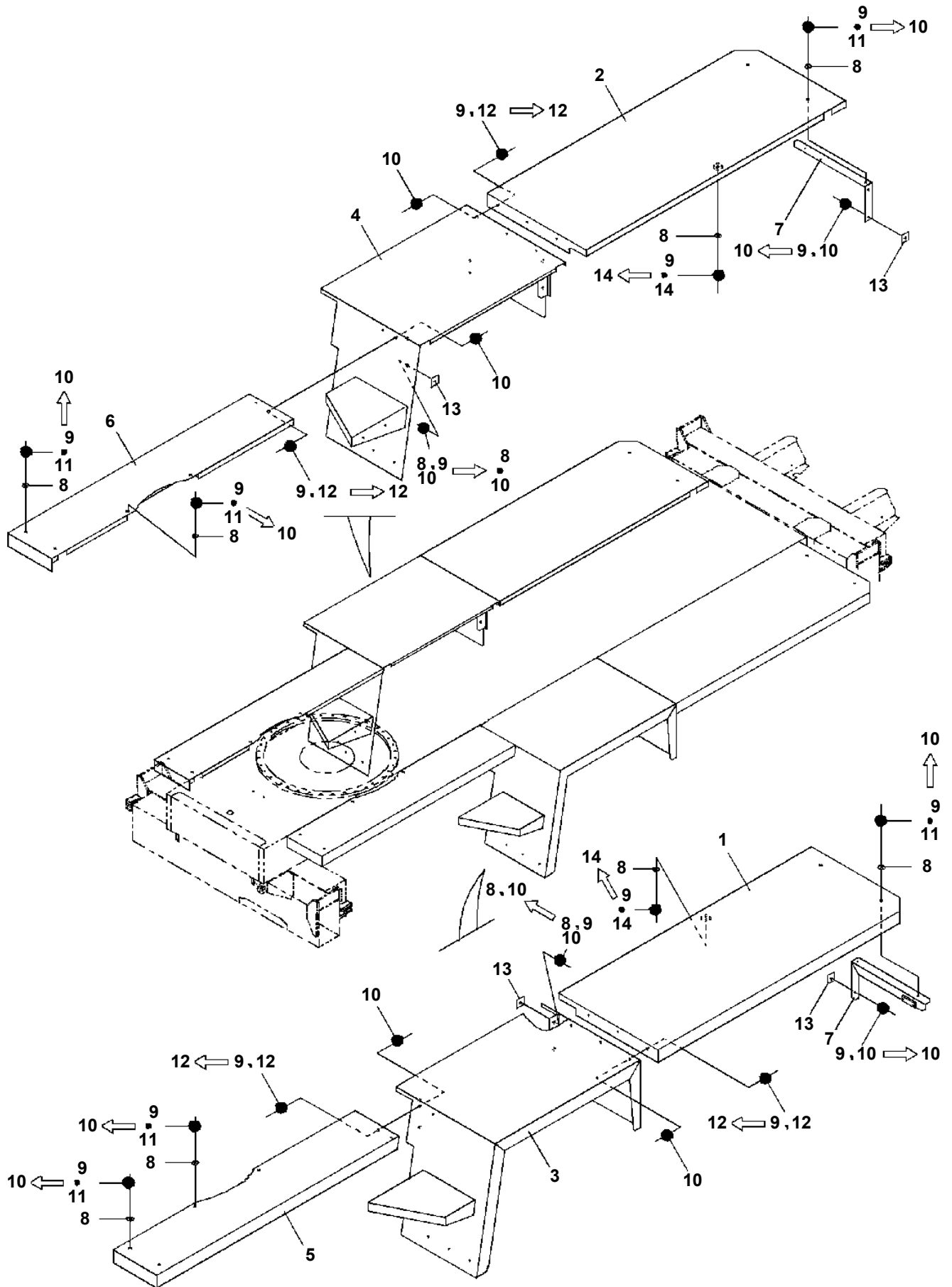


AT-255-1 42098120100 LOWER, MITSUBISHI KK-FH21GG1
PI1300061-02 FILTER, OIL (YAMASHIN)

Assembly Name FILTER, OIL



AT-255-1 42098120100 LOWER, MITSUBISHI KK-FH21GG1
PX1030374-01 FENDER



AT-255-1 42098120100 LOWER,MITSUBISHI KK-FH21GG1

Pos No.	Parts No	Parts Name	Qty	Unit	Technical Data	Serial No (Start)	Serial No (End)	Remarks	Pages
1	90101210014	BOLT	2		M10X14				
2	90302041001	WASHER,SPRING	2		10				
3	91850400601	CLAMP	6						
4	42808040100	SUPPORT	1						
5	42808040200	SUPPORT	1						
6	91810130240	FASTENER	13						
7	90101208016	BOLT	8		M8X16				
8	90101208025	BOLT	6		M8X25				
9	90303070801	WASHER,PLAIN	6		8				
10	90302040801	WASHER,SPRING	14		8				
11	90201200800	NUT	6		M8				
12	42806830400	HARNESS	1						000014
13	80172305020	SCREW,MACHINE	2		M5X20	385510			
14	90303070501	WASHER,PLAIN	2		5	385510			
15	90302040501	WASHER,SPRING	2		5	385510			
16	90201200500	NUT	2		M5	385510			

CLICK HERE TO **DOWNLOAD** THE COMPLETE MANUAL

- Thank you very much for reading the preview of the manual.
- You can download the complete manual from: www.heydownloads.com by clicking the link below



- Please note: If there is no response to CLICKING the link, please download this PDF first and then click on it.

CLICK HERE TO **DOWNLOAD** THE COMPLETE MANUAL