

AT-170-2 42087240601 UPPER,LOWER,ISUZU 2PG-NKR88N-HN5AY-M

PB0000276-02 UPPER STRUCTURE SYSTEM

PB0000513-00 LOWER STRUCTURE SYSTEM

ASSEMBLY

CLICK HERE TO **DOWNLOAD** THE COMPLETE MANUAL

- Thank you very much for reading the preview of the manual.
- You can download the complete manual from: www.heydownloads.com by clicking the link below



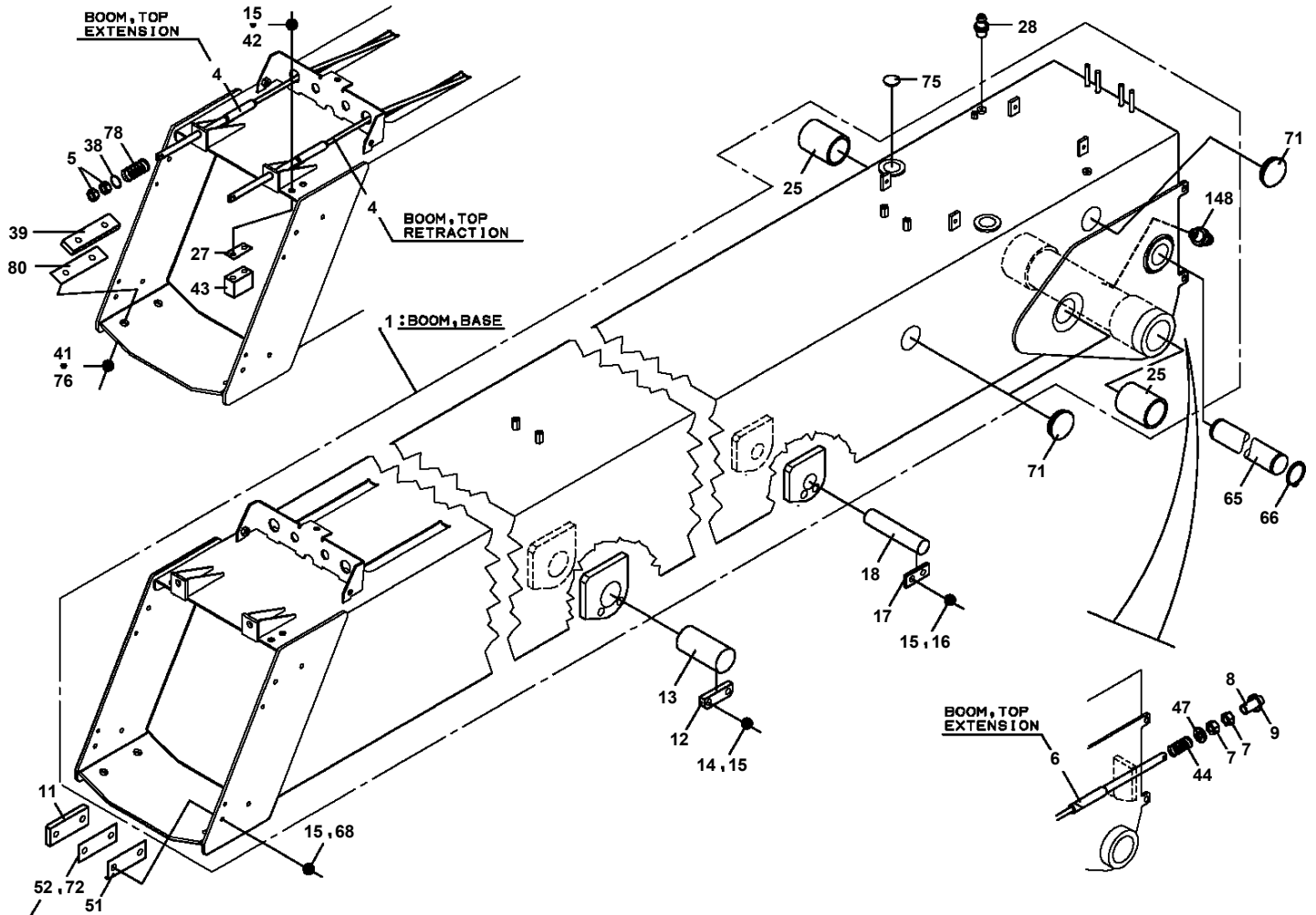
- Please note: If there is no response to CLICKING the link, please download this PDF first and then click on it.

CLICK HERE TO **DOWNLOAD** THE COMPLETE MANUAL

AT-170-2 42087240601 UPPER,LOWER,ISUZU 2PG-NKR88N-HN5AY-M

Pos No.	Parts No	Parts Name	Qty	Unit	Technical Data	Serial No (Start)	Serial No (End)	Remarks	Pages
1	31790650000	COUPLING	1						000175

**AT-170-2 42087240601 UPPER,LOWER,ISUZU 2PG-NKR88N-HN5AY-M
PB5190135-03 BOOM ASSY**



72材を4枚以上使用する場合
※72材は片側6枚まで。それでも調整不可な場合は、80材で調整

AT-170-2 42087240601 UPPER,LOWER,ISUZU 2PG-NKR88N-HN5AY-M

Pos No.	Parts No	Parts Name	Qty	Unit	Technical Data	Serial No (Start)	Serial No (End)	Remarks	Pa
1	90209202200	NUT	1		M22				
2	90302042201	WASHER,SPRING (22)	1						
3	90303072201	WASHER,PLAIN	1		22				
4	91684006000	PACKING	2						
5	91431205001	RING,BACKUP	2						
6	91002802500	O-RING	1		1B P25				
7	91302206000	BEARING,PLAIN	2						
8	36034700060	PISTON	1						
9	36034700200	ROD	1						
10	36034700100	CYLINDER	1						
11	91002905500	O-RING	1		1B G55				
12	91694004000	PACKING	1						
13	91410204001	RING,BACKUP	1						
14	91660004001	SEAL,DUST	1						
15	36034700300	COVER,ROD	1						
16	91002906000	O-RING	1		1B G60				
30	36034709900	PACKING SET	1		40X60				
100	36034700000	CYLINDER,JACK	1						

AT-170-2 42087240601 UPPER,LOWER,ISUZU 2PG-NKR88N-HN5AY-M

Pos No.	Parts No	Parts Name	Qty	Unit	Technical Data	Serial No (Start)	Serial No (End)	Re
1	42615041101	CASE,INNER (FRONT)	1					
2	42614561200	CASE,INNER (JACK)	1					
3	(*****)	CYLINDER ASSY,SLIDE (FRONT)	1					
4	36034700000	CYLINDER,JACK	1					
6	37000171720	PIN	1					
7	80601110250	RING,RITAINING	2		S25			
8	37000169010	PIN	1		30			
9	80601110300	RING,RITAINING	2		S30			
10	36625740001	VALVE,CHECK	1					
11	901711108055	BOLT	4		M8X55			
12	37000138750	PIN	1		18			
13	80136332036	PIN,SPLIT	2		3.2X36			
14	80400160127	JOINT	1					
15	91002801100	O-RING	1		1B P11			
16	36672460000	FILTER (NIPPLE TYPE)	1					
17	42612851010	COVER	1					
18	90186206014	BOLT,FLANGE	2		M6X14			
21	91810130240	FASTENER	2					
25	37000112320	PIN	2					
26	80601110120	RING,RITAINING	4		S12			
28	90280200600	NUT,FLANGE	1		M6			
29	37000600700	CLAMP	1		12X3			
30	31201770100	PLATE,SLIDE	8		T=3.0			
31	42612851400	FLOAT ASSY	1					
54	91002801100	O-RING	1		1B P11			
73	42612851420	TRUNNION	1					
100	42615041001	CASE ASSY,INNER (FRONT)	1					

AT-170-2 42087240601 UPPER,LOWER,ISUZU 2PG-NKR88N-HN5AY-M

Pos No.	Parts No	Parts Name	Qty	Unit	Technical Data	Serial No (Start)	Serial No (End)	Remarks	Pages
1	42347601501	COVER ASSY	1						
2	99172108016	BOLT,TAPPING	12		M8X16				
3	42347601101	COVER	1						
4	42347601300	COVER	1						
21	42347601601	COVER	1						
22	42347601510	PLATE	2						
23	42347601520	BLADE	1						
24	90101208018	BOLT	3		M8X18				
25	90302040801	WASHER,SPRING	3		8				
26	90201200800	NUT	3		M8				
42	82400000541	GROMMET	2	M					
43	82400000200	GROMMET	1		KG-012,L=250				

AT-170-2 42087240601 UPPER,LOWER,ISUZU 2PG-NKR88N-HN5AY-M

Pos No.	Parts No	Parts Name	Qty	Unit	Technical Data	Serial No (Start)	Serial No (End)	Remarks
1	80801005025	BEARING,PLAIN	2					
2	82458102000	NIPPLE,GREASE	2		B-PT1/8			
4	90730008120	SCREW,SET	1		M8X12			
5	91302211500	BEARING,PLAIN	2					
6	91684011500	PACKING	2					
7	91411210001	RING,BACKUP	2					
8	91002804400	O-RING	1		1B P44			
9	36028731000	PISTON	1					
10	36028732000	ROD	1					
11	36028739510	CYLINDER ASSY	1					
12	80612110860	RING,RITAINING	1		AR86			
13	91002810500	O-RING	1		1B P105			
14	37000400170	BEARING,PLAIN	1					
15	36026089530	COVER,ROD	1					
16	91001206500	O-RING	1		1A G65			
17	91694008000	PACKING	1					
18	91410208000	RING,BACKUP	1					
19	91002911500	O-RING	1		1B G115			
20	91660008000	SEAL,DUST	1					
21	80622000800	RING,RITAINING	1		SP80			
22	80720104020	PIN,SPRING	1		4X20			
23	80316030020	PLUG	1		PT1/8			
24	36023182000	END,ROD	1					
25	37000926070	ORIFICE	1		M8,0.6			
42	80541700050	BEARING,SPHERICAL	1					
44	82100000548	CONNECTOR	1					
47	82100001411	TUBE,SPIRAL	1	M	SE-08BK			
48	80316090020	PLUG	1		KKT PT1/8			
61	82100001155	CONNECTOR	1					
80	36026089901	PACKING SET	1		80X115			
100	36028730001	CYLINDER ASSY,DERRICK	1					

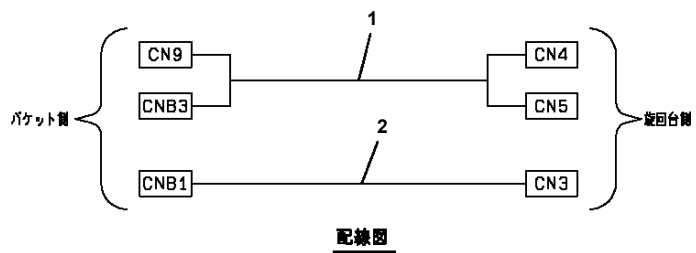
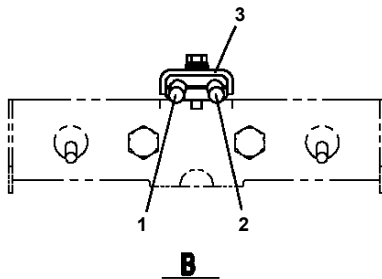
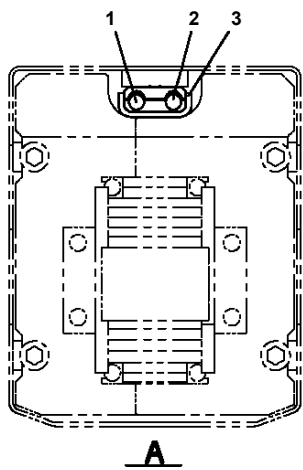
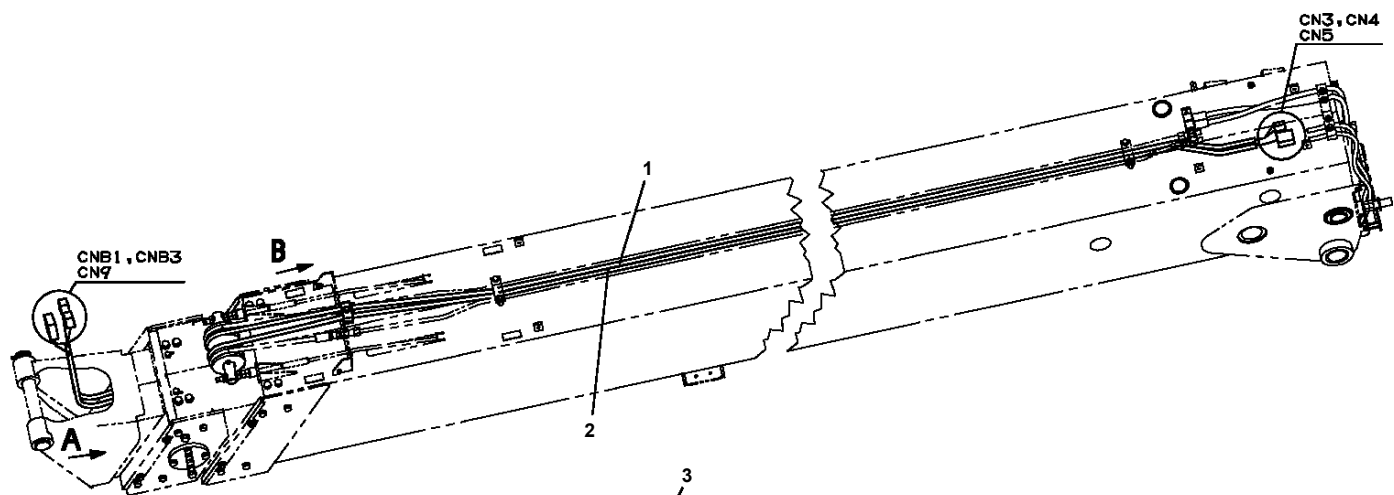
AT-170-2 42087240601 UPPER,LOWER,ISUZU 2PG-NKR88N-HN5AY-M

Pos No.	Parts No	Parts Name	Qty	Unit	Technical Data	Serial No (Start)	Serial No (End)	Remarks
1	36044010001	CYLINDER ASSY,EXTENSION	1					
2	80400160127	JOINT	2					
3	91002801100	O-RING	2		1B P11			
4	37002479790	HOSE,TWIN	1		L=2205			
5	42613601300	HARNESS	1					
6	91810130250	FASTENER	16					

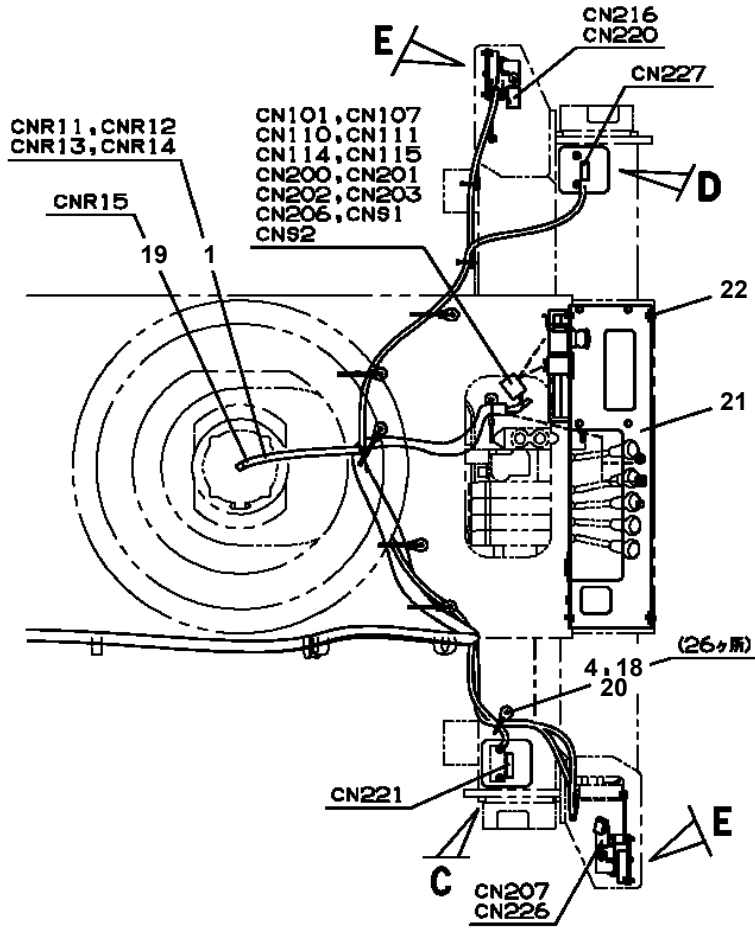
AT-170-2 42087240601 UPPER,LOWER,ISUZU 2PG-NKR88N-HN5AY-M

Pos No.	Parts No	Parts Name	Qty	Unit	Technical Data	Serial No (Start)	Serial No (End)	R
1	36028730001	CYLINDER ASSY,DERRICK	1					
2	36606450000	VALVE ASSY,COUNTERBALANCE	1					
3	90171108060	BOLT	4		M8X70			
4	90302040801	WASHER,SPRING	4		8			

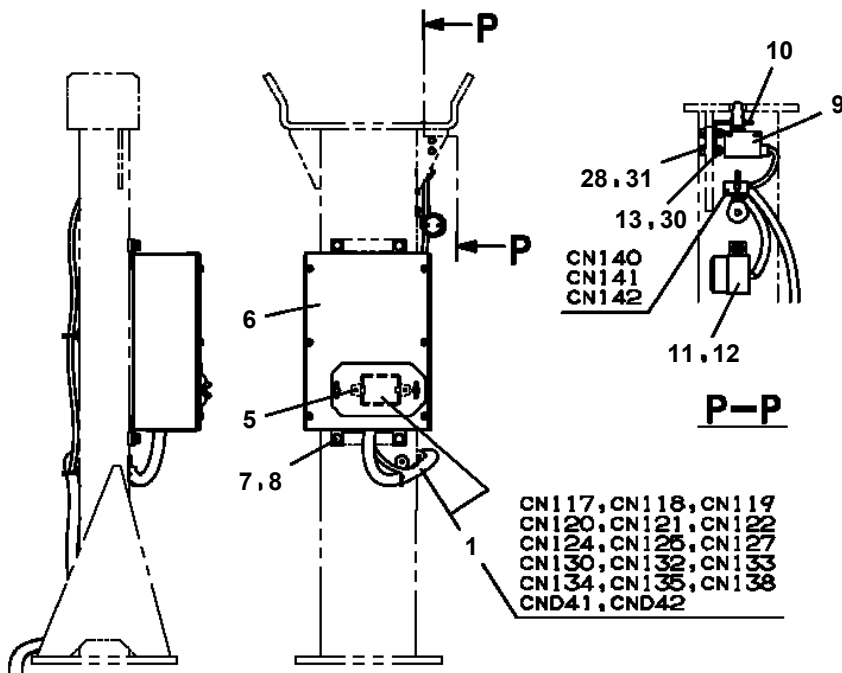
AT-170-2 42087240601 UPPER,LOWER,ISUZU 2PG-NKR88N-HN5AY-M
 PE5050009-00 ELEC.ASSY,BOOM



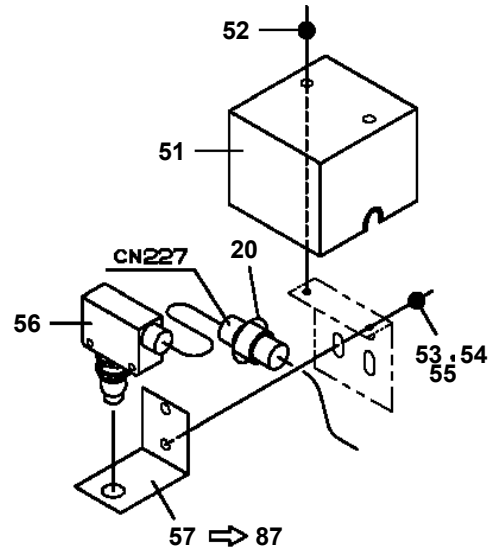
**AT-170-2 42087240601 UPPER,LOWER,ISUZU 2PG-NKR88N-HN5AY-M
PE5110061-01 ELEC.ASSY,FRAME**



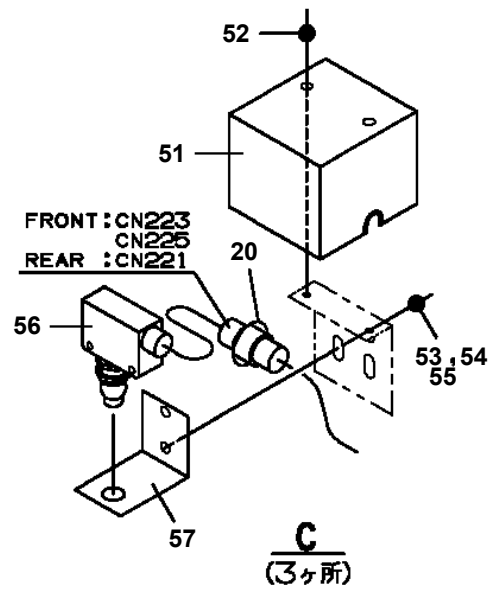
REAR SIDE



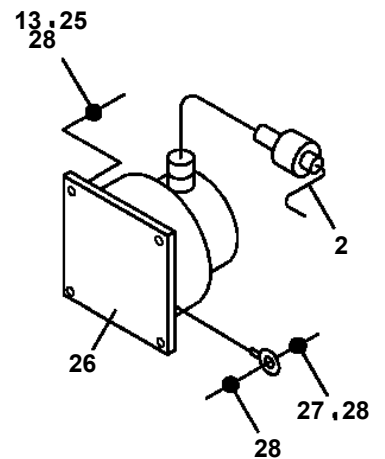
P-P



D



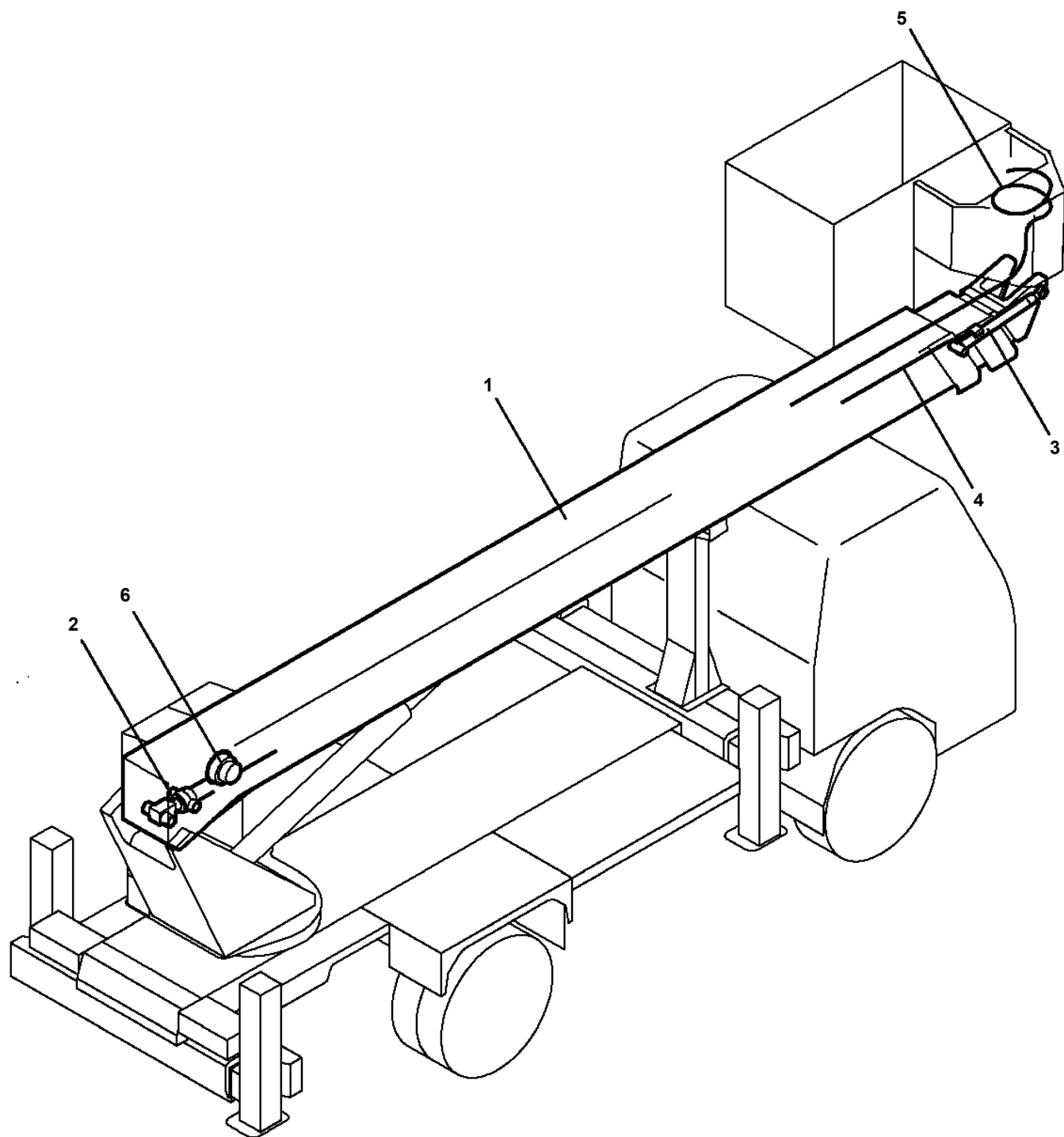
C (3ヶ所)



E (4ヶ所)

A

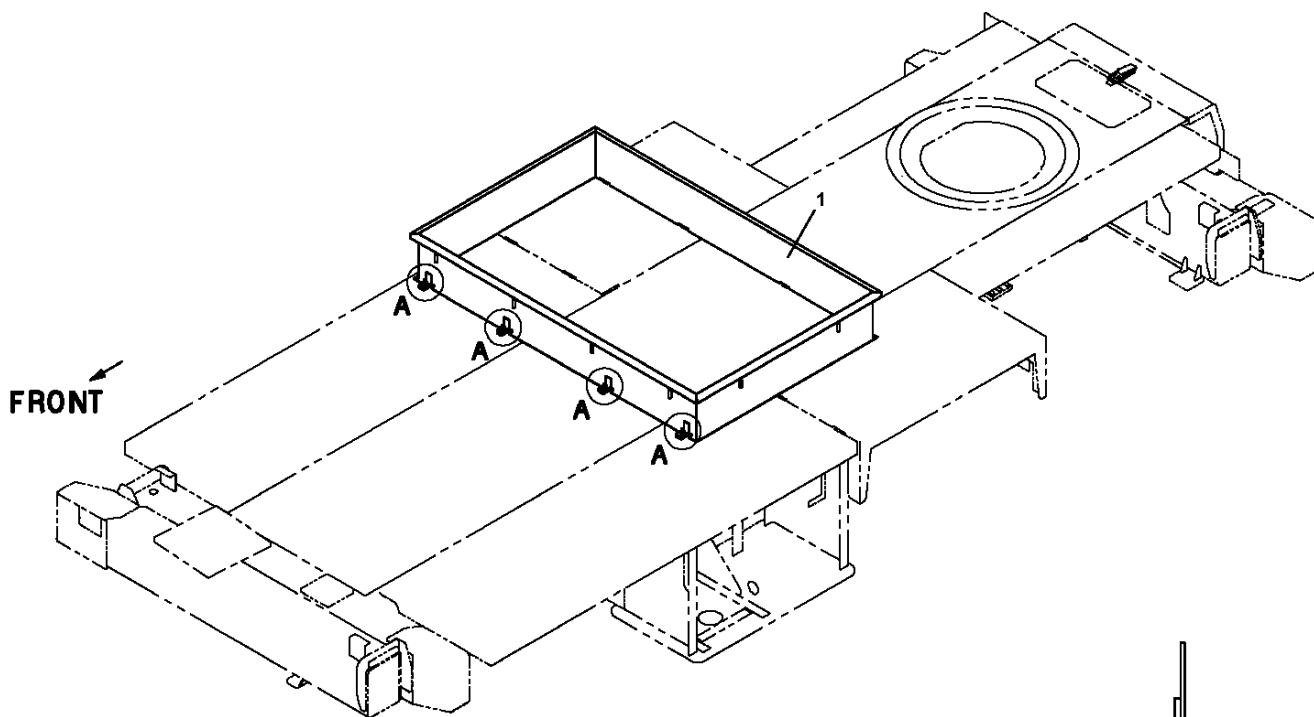
**AT-170-2 42087240601 UPPER,LOWER,ISUZU 2PG-NKR88N-HN5AY-M
PG2000361-00 BOOM UNIT**



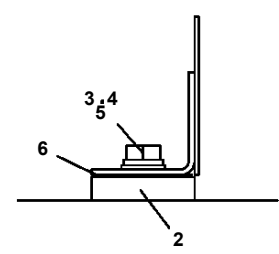
適用製造番号によっては取り付けがないものもあります。

MACHINES OF SOME SERIAL NO. ARE NOT EQUIPPED WITH THESE PARTS.

AT-170-2 42087240601 UPPER,LOWER,ISUZU 2PG-NKR88N-HN5AY-M
PG5200058-00 GUARD ASSY

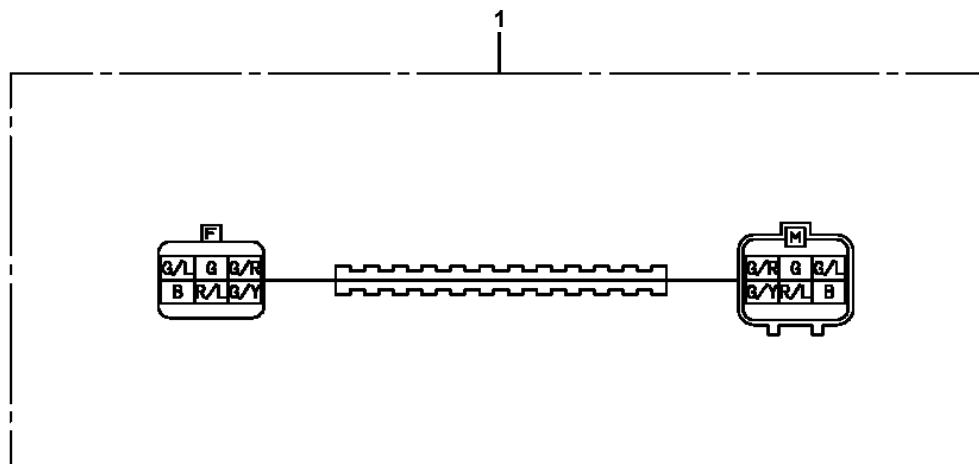


FRONT



A
(8ヶ所)

AT-170-2 42087240601 UPPER,LOWER,ISUZU 2PG-NKR88N-HN5AY-M
PH5031756-00 HARNESS



AT-170-2 42087240601 UPPER,LOWER,ISUZU 2PG-NKR88N-HN5AY-M

Pos No.	Parts No	Parts Name	Qty	Unit	Technical Data	Serial No (Start)	Serial No (End)	Remarks	Pages
1	82182819834	DIODE	1		1.5A				
2	82182819823	DIODE	3		1.5A				
100	42655150101	HARNESS	1						

AT-170-2 42087240601 UPPER,LOWER,ISUZU 2PG-NKR88N-HN5AY-M

Pos No.	Parts No	Parts Name	Qty	Unit	Technical Data	Serial No (Start)	Serial No (End)	Remarks	Pages
1	82181809985	RESISTANCE	1		120 OHM 0.5W				
100	42937120400	HARNESS	1						

AT-170-2 42087240601 UPPER,LOWER,ISUZU 2PG-NKR88N-HN5AY-M

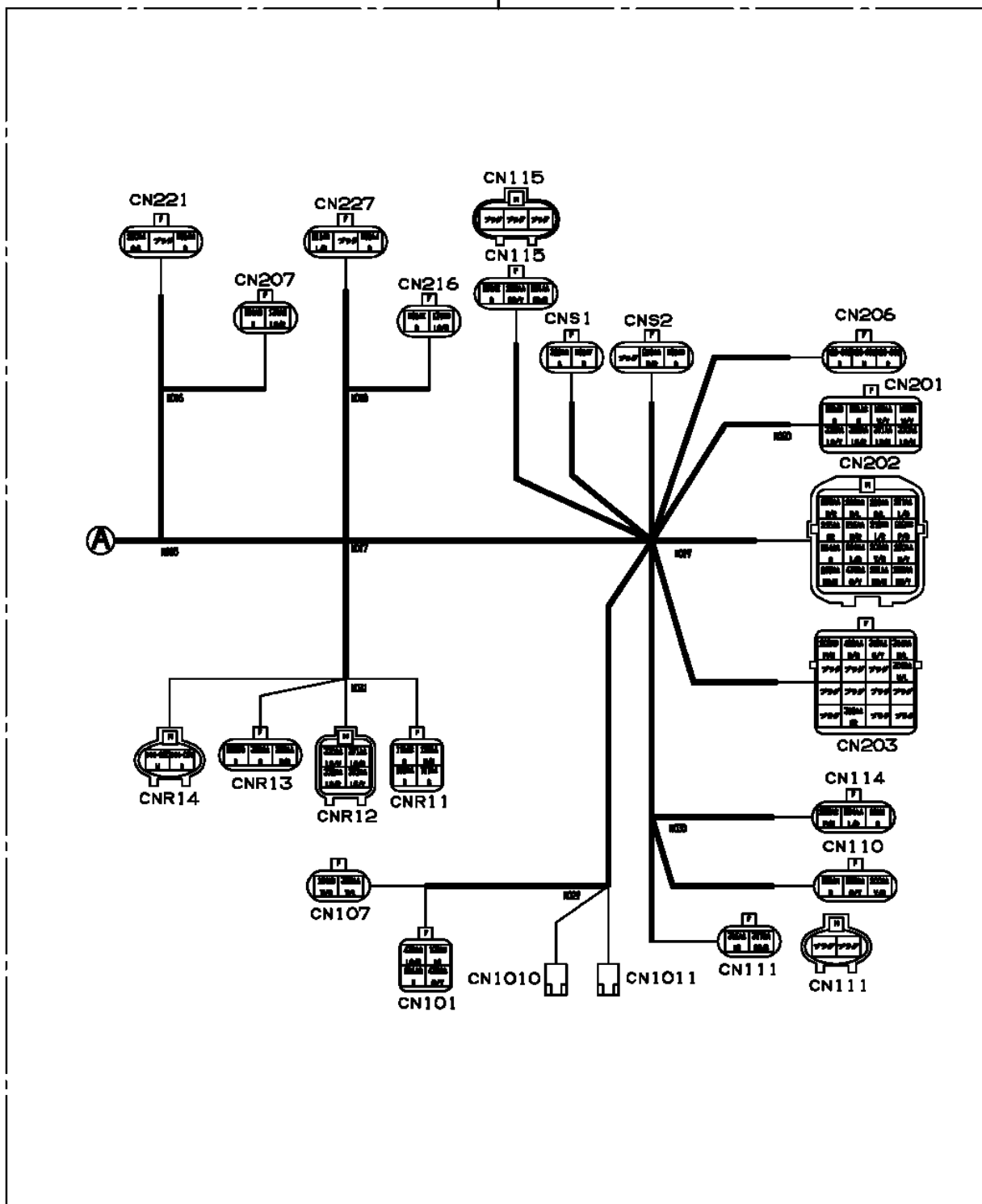
Pos No.	Parts No	Parts Name	Qty	Unit	Technical Data	Serial No (Start)	Serial No (End)	Remarks	Pages
1	42510561200	HARNESS	1						

AT-170-2 42087240601 UPPER,LOWER,ISUZU 2PG-NKR88N-HN5AY-M

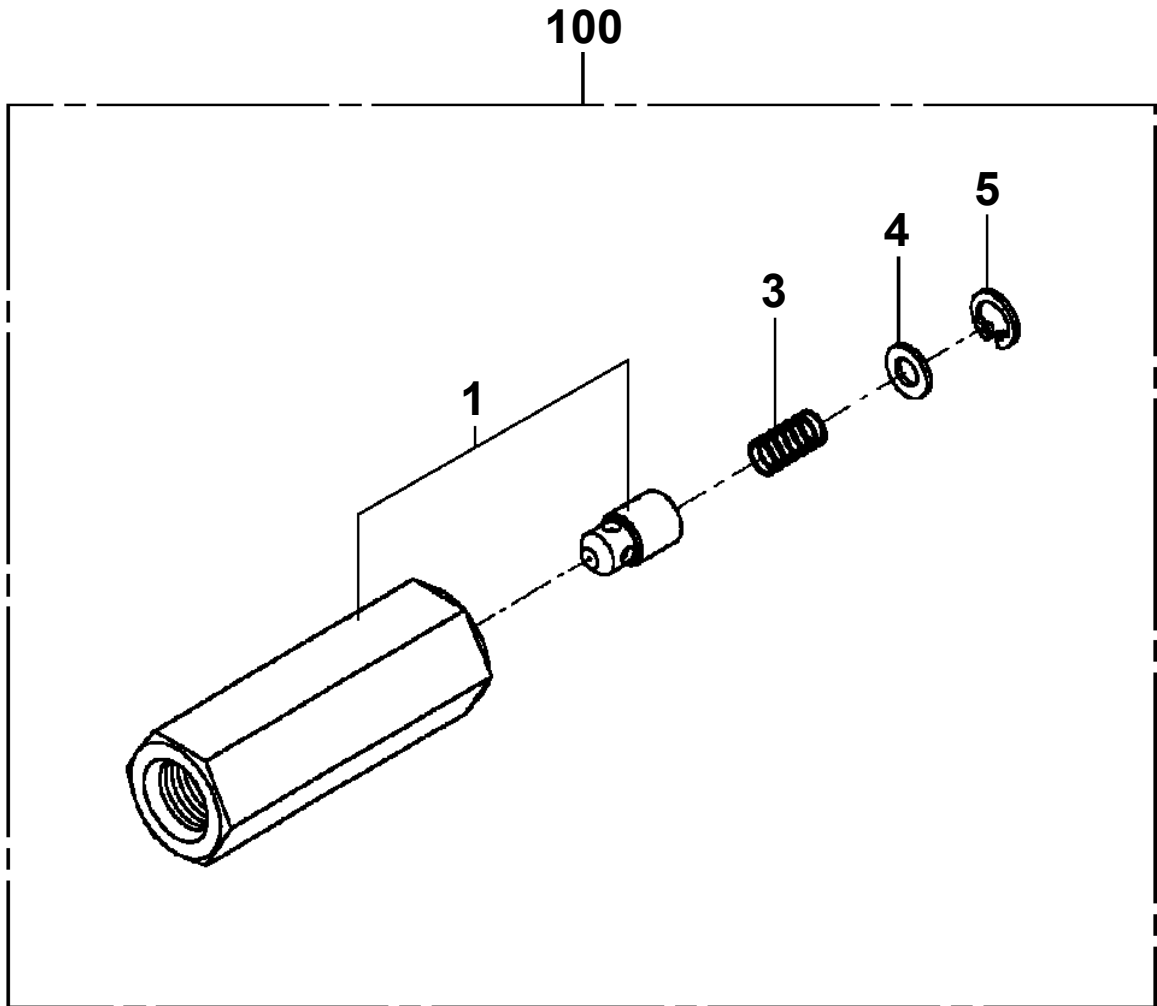
Pos No.	Parts No	Parts Name	Qty	Unit	Technical Data	Serial No (Start)	Serial No (End)	Remarks	Pages
100	42358000012	HARNESS	1						

AT-170-2 42087240601 UPPER,LOWER,ISUZU 2PG-NKR88N-HN5AY-M
PH5034325-00 HARNESS

100



AT-170-2 42087240601 UPPER,LOWER,ISUZU 2PG-NKR88N-HN5AY-M
PI1140208-00 VALVE,CHECK



CLICK HERE TO **DOWNLOAD** THE COMPLETE MANUAL

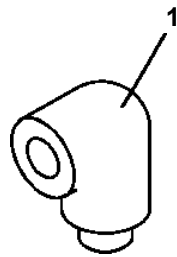
- Thank you very much for reading the preview of the manual.
- You can download the complete manual from: www.heydownloads.com by clicking the link below



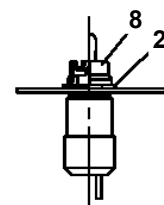
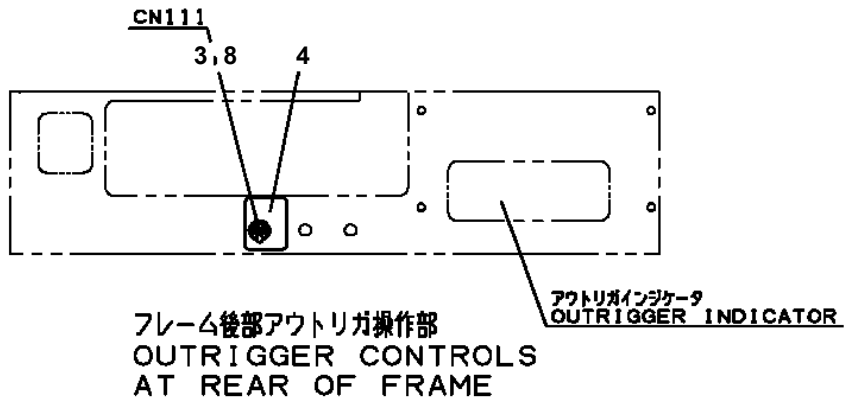
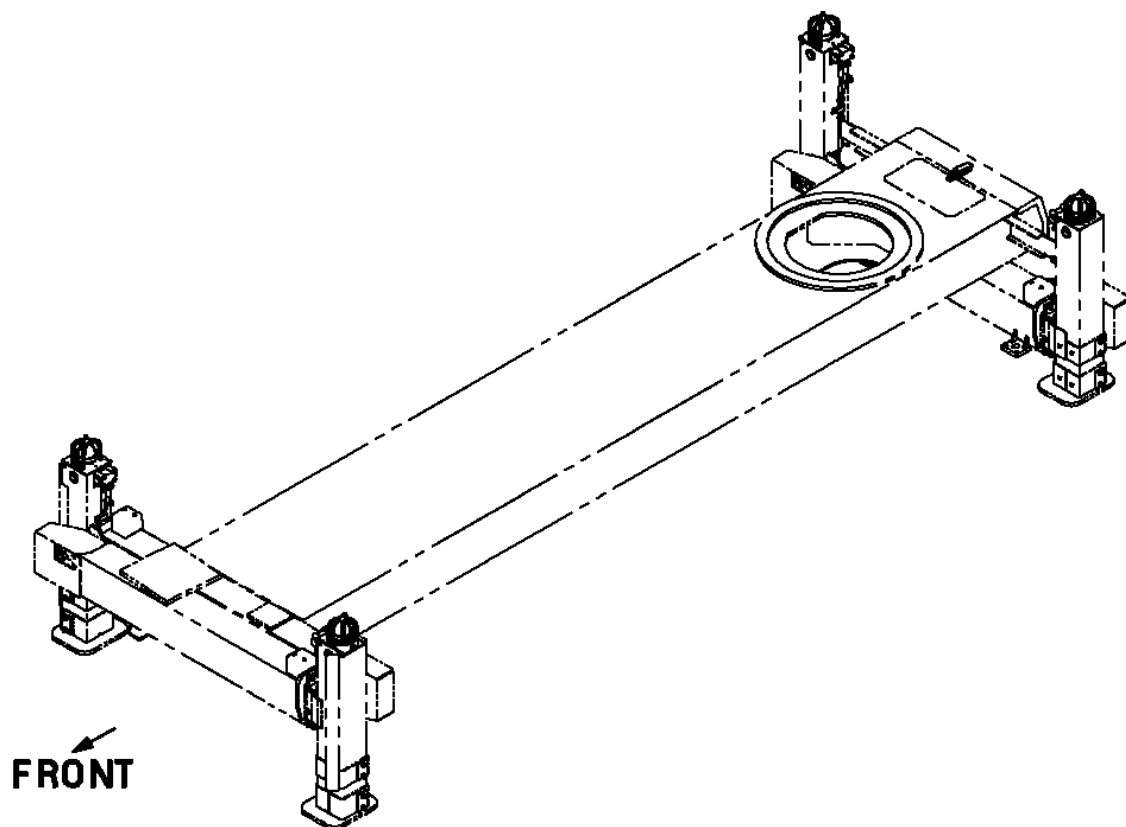
- Please note: If there is no response to CLICKING the link, please download this PDF first and then click on it.

CLICK HERE TO **DOWNLOAD** THE COMPLETE MANUAL

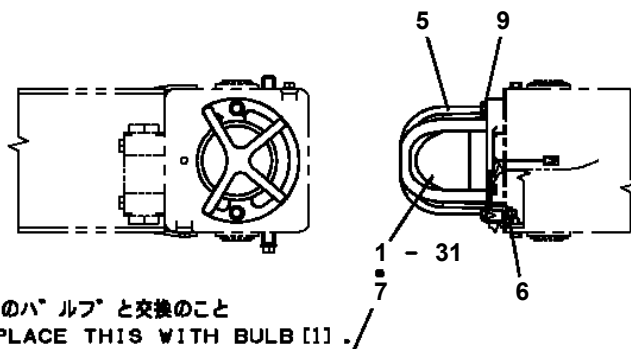
**AT-170-2 42087240601 UPPER,LOWER,ISUZU 2PG-NKR88N-HN5AY-M
PJ5080003-00 JOINT (FOR GREASE SUPPLY HOSE)**



AT-170-2 42087240601 UPPER,LOWER,ISUZU 2PG-NKR88N-HN5AY-M
 PL5020132-02 LAMP ASSY (YELLOW,LED)



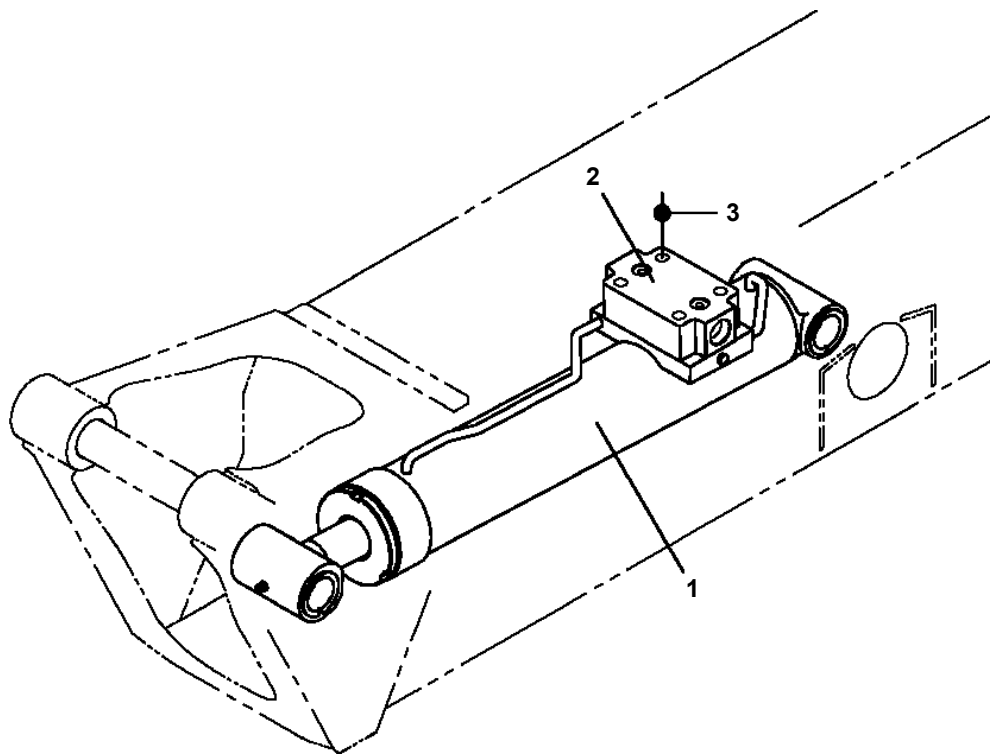
トグルSW
 TOGGLE SW



1材のハ`ルブ` と交換のこと
 REPLACE THIS WITH BULB [1].

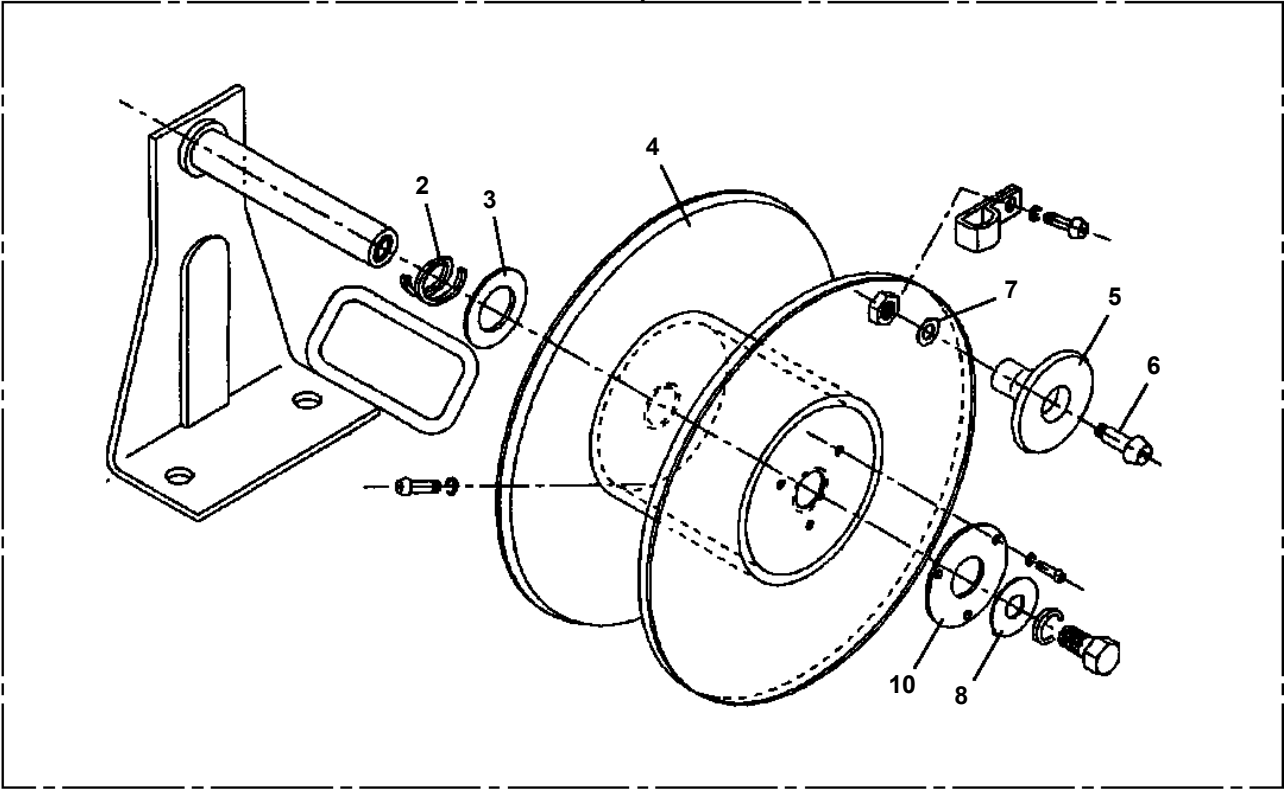
アウトリガジャッキ上部(4ヵ所)
 TOP OF OUTRIGGER JACK (4 PLACES)

**AT-170-2 42087240601 UPPER,LOWER,ISUZU 2PG-NKR88N-HN5AY-M
PL5180005-00 LEVELING ASSY,UPPER**

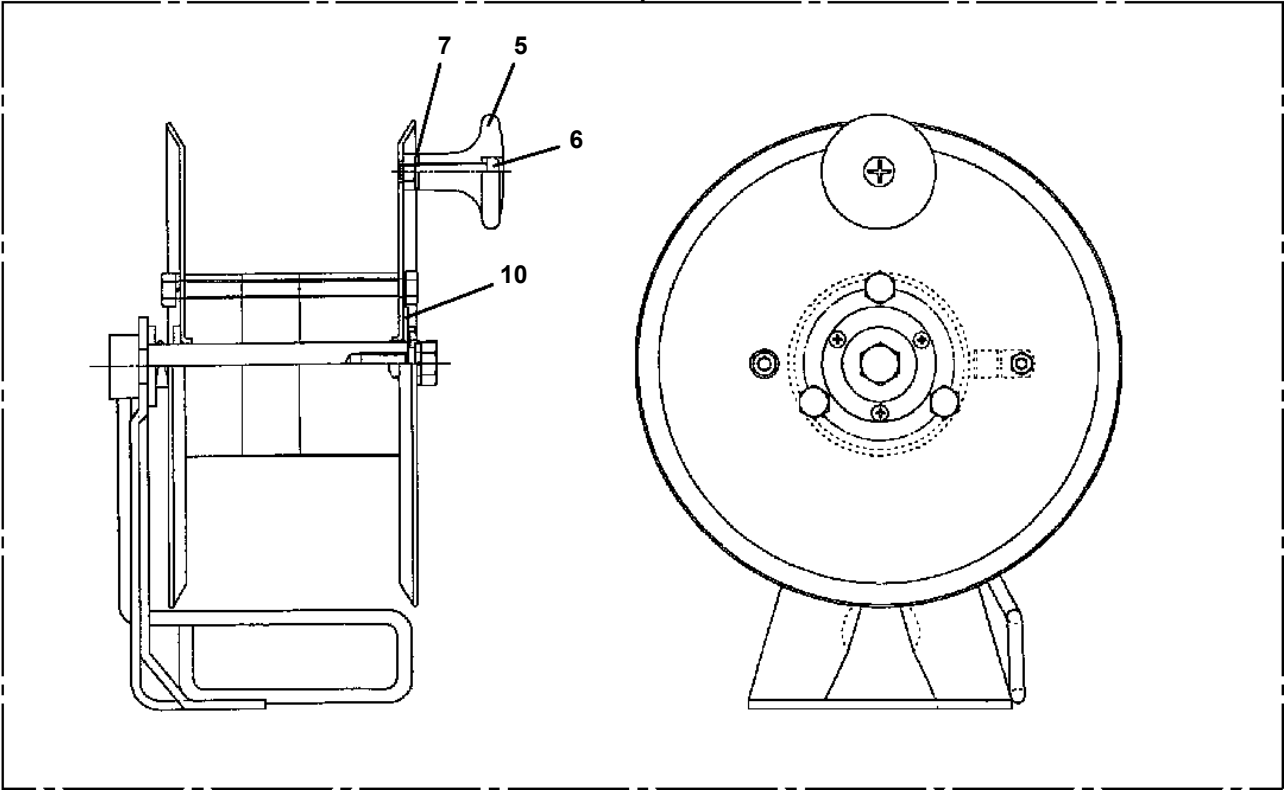


AT-170-2 42087240601 UPPER,LOWER,ISUZU 2PG-NKR88N-HN5AY-M
PN1350029-01 REEL,CORD (FOR EARTHING)

50



50



AT-170-2 42087240601 UPPER,LOWER,ISUZU 2PG-NKR88N-HN5AY-M

Pos No.	Parts No	Parts Name	Qty	Unit	Technical Data	Serial No (Start)	Serial No (End)
1	37002202030	PLATE,NAME	1				
2	42395082050	PLATE,CAUTION (BUCKET TILT)	1				
3	42591011040	PLATE,CAUTION (PREOPERATION CHECK)	1				
4	42394191130	PLATE,CAUTION	1				231583
	42593161050	PLATE,CAUTION	1			231583	
5	42394191150	PLATE,NAME	1				
6	42590042010	PLATE,NAME (EMERGENCY STOP OPERATION)	1				
7	42391720090	PLATE,NAME	2				231583
	42593161040	PLATE,NAME	2			231583	
8	37002201980	PLATE,NAME	1				
9	42591011010	PLATE,NAME (WORKING RANGE CHART)	1				
10	42590591020	PLATE,NAME (VEHICLE BATTERY MONITOR)	1				
11	42510482020	PLATE,NAME (NO IDLING)	1				

AT-170-2 42087240601 UPPER,LOWER,ISUZU 2PG-NKR88N-HN5AY-M

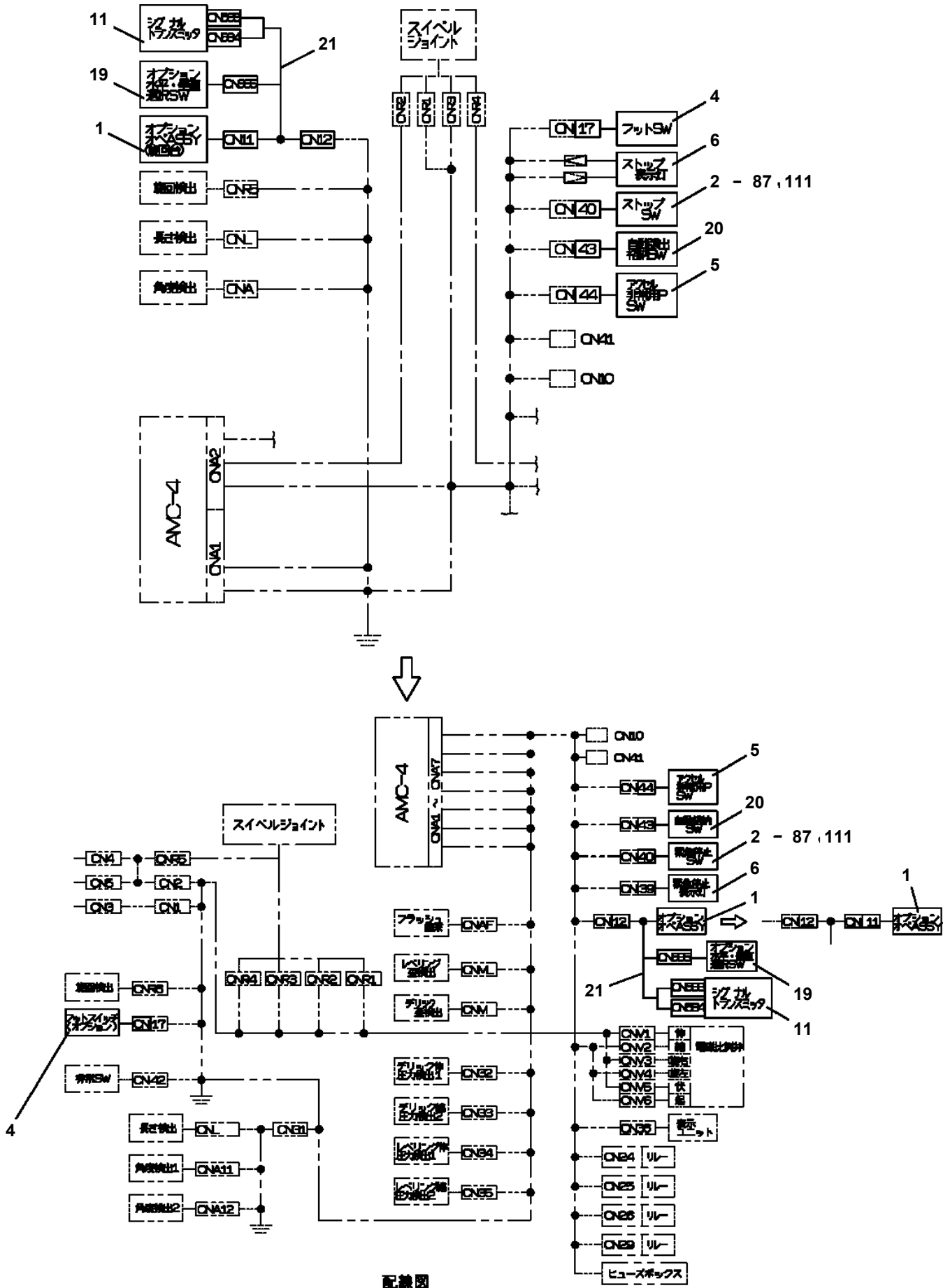
Pos No.	Parts No	Parts Name	Qty	Unit	Technical Data	Serial No (Start)	Serial No (End)	Remarks	Pages
1	42511910100	PLATE (NON-SLIP)	7						
2	42511810200	PLATE (NON-SLIP)	16						
3	42511910200	PLATE (NON-SLIP)	1						
4	42511810300	PLATE (NON-SLIP)	6						

**AT-170-2 42087240601 UPPER,LOWER,ISUZU 2PG-NKR88N-HN5AY-M
PO1000183-00 INDICATION PLATES (LOWER)**

メイパ ン (カブ)
INDICATION PLATES (LOWER)

〔組立名称一覧〕より選択してください。
SEE THE CORRESPONDING "ASSEMBLY NAME" LIST.

AT-170-2 42087240601 UPPER,LOWER,ISUZU 2PG-NKR88N-HN5AY-M
 PO5010037-02 OPE.ASSY (SWING FRAME)



AT-170-2 42087240601 UPPER,LOWER,ISUZU 2PG-NKR88N-HN5AY-M

Pos No.	Parts No	Parts Name	Qty	Unit	Technical Data	Serial No (Start)	Serial No (End)	Remarks
2	90302041001	WASHER,SPRING	28		10			
3	31611640150	SPRING	2					
4	90171108016	BOLT	4		M8X16			
5	37000504780	PLATE	4		T=0.6			
9	42612850300	PLATE	4					
11	90101206014	BOLT	4		M6X14		231616	
	90101206016	BOLT	4		M6X16	231617		
12	90302040601	WASHER,SPRING	4		6			
13	42612850400	BLADE	2					
16	37002019590	PLATE,SLIDE	4					
17	42612850200	PLATE	8		T=6			
18	90101210016	BOLT	16		M10X16			
19	37000581940	PLATE	24		T=0.5			
20	37000506590	PLATE	16		T=1.6			
21	90303070601	WASHER,PLAIN	4		6			
22	90101208012	BOLT	4		M8X12			
23	90302040801	WASHER,SPRING	4		8			
24	37000575240	PLATE	2		T=3			
25	37000178190	PIN	2					
27	42615051002	CASE ASSY,INNER (REAR)	1					
28	42614050020	PLATE,SLIDE	2					
29	37001510810	BOLT	4		M8X25			
30	37002011280	PLATE,SLIDE	8		T=9.5			
31	42615052002	CASE ASSY,INNER (REAR)	1					
32	90171110016	BOLT	12		M10X16			
33	42615050100	PLATE	4					

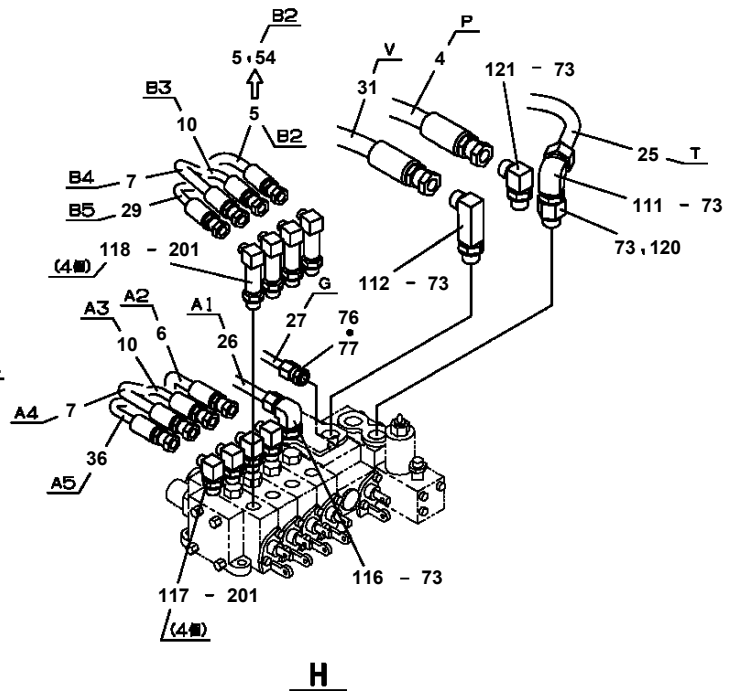
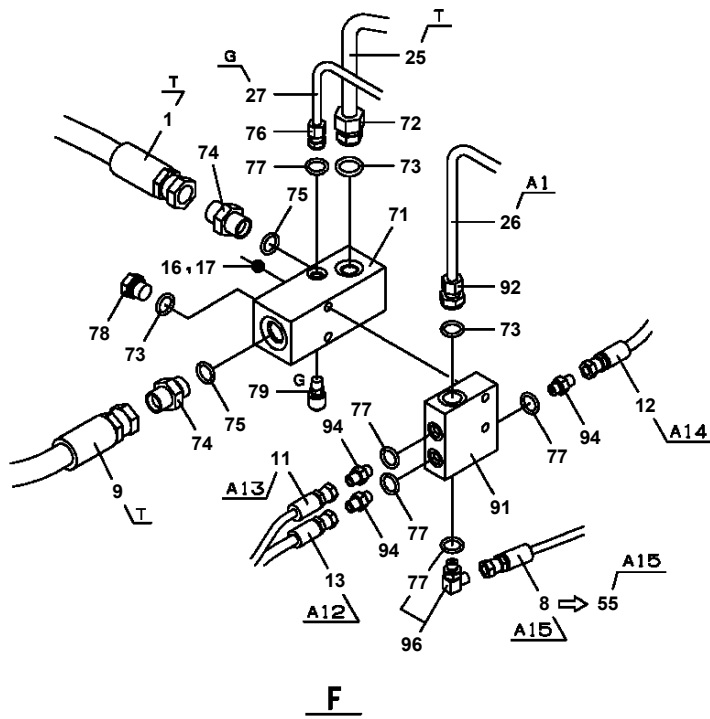
AT-170-2 42087240601 UPPER,LOWER,ISUZU 2PG-NKR88N-HN5AY-M

Pos No.	Parts No	Parts Name	Qty	Unit	Technical Data	Serial No (S
1	(***** *****)	PARTS ASSY,ELECTRICITY (LOWER:100V POWER SUPPLY)	1			
2	(***** *****)	PARTS ASSY,ELECTRICITY (BUCKET:100V POWER SUPPLY)	1			

AT-170-2 42087240601 UPPER,LOWER,ISUZU 2PG-NKR88N-HN5AY-M

Pos No.	Parts No	Parts Name	Qty	Unit	Technical Data	Serial No (Start)	Serial No (End)	Remarks	P
1	37004100030	PUMP,GREASE (240CC)	1						

**AT-170-2 42087240601 UPPER,LOWER,ISUZU 2PG-NKR88N-HN5AY-M
PP6130042-04 PIPING ASSY,FRAME**



AT-170-2 42087240601 UPPER,LOWER,ISUZU 2PG-NKR88N-HN5AY-M

Pos No.	Parts No	Parts Name	Qty	Unit	Technical Data	Serial No (Start)	Serial No (End)	Remarks
1	42655152101	CASE	1					
2	42654272100	COVER ASSY	1					
3	34354781710	RELAY (WITH BRACKET)	11					
6	80197585012	SCREW,MACHINE	15		M5X12			
7	90302040601	WASHER,SPRING	7		6			
8	90201200600	NUT	1		M6			
9	90303070601	WASHER,PLAIN	8		6			
10	82100002016	CLAMP	1		WR25			
11	80182306014	SCREW,MACHINE	6		M6X14			
13	42655152300	SUPPORT	1					
14	82161300010	RELAY	2					
15	90186206010	BOLT,FLANGE	2		M6X10			
31	42654272110	COVER	1					
32	42653235321	COVER	1					
33	90813106015	BOLT	2		M6X15			
34	90302040601	WASHER,SPRING	2		6			
35	90303070601	WASHER,PLAIN	2		6			
100	42655152001	RELAY BOX ASSY	1					

AT-170-2 42087240601 UPPER,LOWER,ISUZU 2PG-NKR88N-HN5AY-M

Pos No.	Parts No	Parts Name	Qty	Unit	Technical Data	Serial No (Start)	Serial No (End)	Remarks	Pages
2	31630482500	CAP	1						
3	42232360101	SUPPORT	1						
4	42232360201	SUPPORT	1						
5	37001500250	BOLT	15		M16X70				
6	90303501601	WASHER,PLAIN	15		16				
7	37000507560	PLATE	1						
8	37000112690	PIN	1						
9	90171110022	BOLT	3		M10X22				
10	90302041001	WASHER,SPRING	3		10				
11	37000175720	PIN	1						
12	37000509190	PLATE	1						
13	37000507730	PLATE	1						
14	90171320045	BOLT	1		M20X45				
15	90302042001	WASHER,SPRING	1		20				
16	90171112030	BOLT	2		M12X30				
17	90302041201	WASHER,SPRING	2		12				
18	42230210010	PIN	1						
19	82459103000	NIPPLE,GREASE	1		C-PT1/8				
21	37000505950	PLATE	1		T=3.2				
22	90101208016	BOLT	7		M8X16				
23	90302040801	WASHER,SPRING	7		8				
24	90303070801	WASHER,PLAIN	7		8				
25	42232361002	TABLE,SLEWING	1						
26	42231270010	GROMMET	2						
27	42340240700	GROMMET	2						
28	82400000204	GROMMET	1		L=320				

AT-170-2 42087240601 UPPER,LOWER,ISUZU 2PG-NKR88N-HN5AY-M

Pos No.	Parts No	Parts Name	Qty	Unit	Technical Data	Serial No (Start)	Serial No (End)	Remarks	Pa
1	44550527580	SWITCH,MICRO	1						
2	44550527570	COVER	1						
3	44350247560	SPRING (FOR PEDAL)	1						
4	82109901050	PEDAL	1						
5	82109905010	PACKING	1						
6	44350247580	PLATE (WITH SCREW)	1						
100	44350240100	SWITCH ASSY	1						

AT-170-2 42087240601 UPPER,LOWER,ISUZU 2PG-NKR88N-HN5AY-M

Pos No.	Parts No	Parts Name	Qty	Unit	Technical Data	Serial No (Start)	Serial No (End)	Remarks	Page
5	91002902500	O-RING	4		1B G25				
8	80316090020	PLUG	4		KKT PT1/8				
9	36606975020	PLUG	1						
10	91002801400	O-RING	1		1B P14				
12	16066241000	SPRING	1						
22	36606995020	RELIEF ASSY	1						
100	36606990000	VALVE ASSY,RELIEF	1						

AT-170-2 42087240601 UPPER,LOWER,ISUZU 2PG-NKR88N-HN5AY-M

Pos No.	Parts No	Parts Name	Qty	Unit	Technical Data	Serial No (Start)	Serial No (End)	Remarks	Pages
2	42461050200	STOPPER,TIRE	1						

AT-170-2 42087240601 UPPER,LOWER,ISUZU 2PG-NKR88N-HN5AY-M

Pos No.	Parts No	Parts Name	Qty	Unit	Technical Data	Serial No (Start)	Serial No (End)
2	42834267510	WINDOW	1				
3	42834267520	SEAT	1				
4	42834267530	WEATHER STRIP	1				
5	42834267540	WEATHER STRIP	1				
6	42832917570	HINGE SET (RIGHT)	1				
7	42832917580	HINGE SET (LEFT)	1				
8	42833157580	PIN	2				
9	42831877540	INSULATOR	2				
10	42833607540	CATCH (WITH KEY)	1				
11	42833607550	CATCH (WITHOUT KEY)	1				
12	42833157590	STRIKER	2				
13	42833077610	BUSH	4				
14	80175804010	SCREW,MACHINE	4		M4X10		
15	80192435010	SCREW,MACHINE	6		M5X10		
16	80192484012	SCREW,MACHINE (WITH WASHER)	2		M4X12		
17	80192485012	SCREW,MACHINE	4		M5X12		
18	80175805010	SCREW,MACHINE	4		M5X10		
41	42833607700	KEY	1				
50	42834261000	BOX,TOOL	1				

AT-170-2 42087240601 UPPER,LOWER,ISUZU 2PG-NKR88N-HN5AY-M

Pos No.	Parts No	Parts Name	Qty	Unit	Technical Data	Serial No (Start)	Serial No (End)	Remarks	Pages
1	42990510100	FENDER	1						
2	42990510200	FENDER	1						
3	42990510500	FENDER	1						
4	42990510600	FENDER	1						
5	42990510301	FENDER	1						
6	42990510401	FENDER	1						
7	42990080700	SUPPORT	1						
8	90201200800	NUT	30		M8				
9	37000547660	PLATE	32		T=2.3				
10	90101208020	BOLT	2		M8X20				
11	90101210020	BOLT	6		M10X20				
12	90302041001	WASHER,SPRING	6		10				
13	37000549940	PLATE	34		T=3.2				
14	90302040801	WASHER,SPRING	30		8				
15	32200353500	SHIM	N		T=1.2				

AT-170-2 42087240601 UPPER,LOWER,ISUZU 2PG-NKR88N-HN5AY-M

Pos No.	Parts No	Parts Name	Qty	Unit	Technical Data	Serial No (Start)	Serial No (End)	Remarks	Pages
1	42776561002	GUARD,SIDE	1						
2	42776562001	GUARD,SIDE	1						
3	42776563000	GUARD,SIDE	1						
5	90101210025	BOLT	4		M10X25				
6	90101210040	BOLT	2		M10X40				
7	90201201000	NUT	3		M10				
8	90303071001	WASHER,PLAIN	6		10				
9	90201781000	NUT	6		M10				
10	90171110025	BOLT	6		M10X25				
12	90171112030	BOLT	4		M12X30				
13	37000586760	WASHER,PLAIN	4		12				
14	90302041001	WASHER,SPRING	13		10				
15	90101210045	BOLT	1		M10X45				
16	42776564002	GUARD,SIDE	1						

AT-170-2 42087240601 UPPER,LOWER,ISUZU 2PG-NKR88N-HN5AY-M

Pos No.	Parts No	Parts Name	Qty	Unit	Technical Data	Serial No (Start)	Serial No (End)	Remarks	Pages
1	42848350101	WEIGHT	1						
2	90101212055	BOLT	12		M12X55				
3	90302041201	WASHER,SPRING	12		12				
4	42849260100	WEIGHT	1						
5	42848350300	WEIGHT	1						
6	90101216055	BOLT	4		M16X55				
7	90302041601	WASHER,SPRING	4		16				

CLICK HERE TO **DOWNLOAD** THE COMPLETE MANUAL

- Thank you very much for reading the preview of the manual.
- You can download the complete manual from: www.heydownloads.com by clicking the link below



- Please note: If there is no response to CLICKING the link, please download this PDF first and then click on it.

CLICK HERE TO **DOWNLOAD** THE COMPLETE MANUAL