

AT-170-2 42087240302 UPPER,LOWER,ISUZU TPG-NKR85N-HN5AY-M

PB0000276-02 UPPER STRUCTURE SYSTEM

PB0000513-00 LOWER STRUCTURE SYSTEM

ASSEMBLY

CLICK HERE TO **DOWNLOAD** THE COMPLETE MANUAL

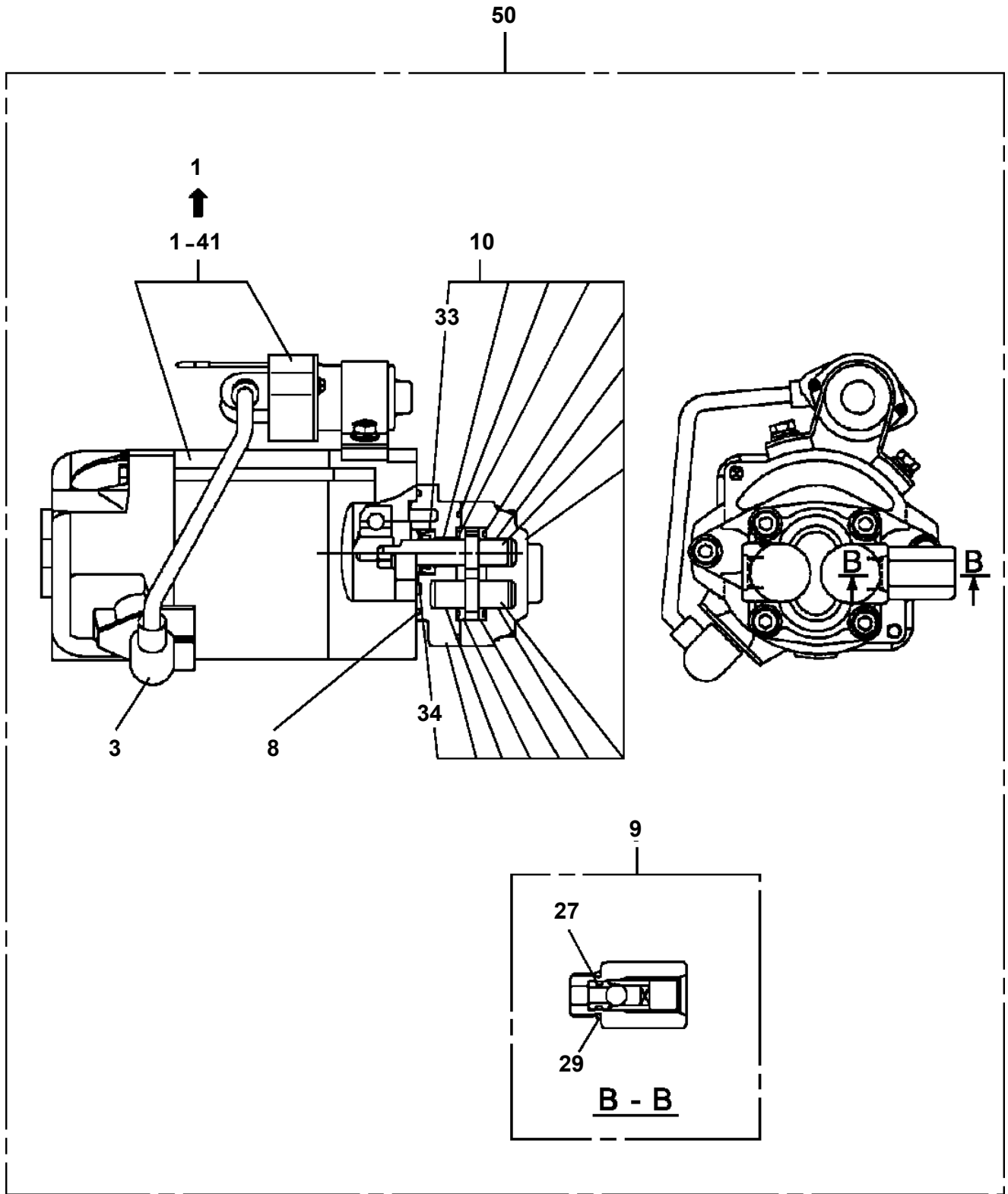
- Thank you very much for reading the preview of the manual.
- You can download the complete manual from: www.heydownloads.com by clicking the link below



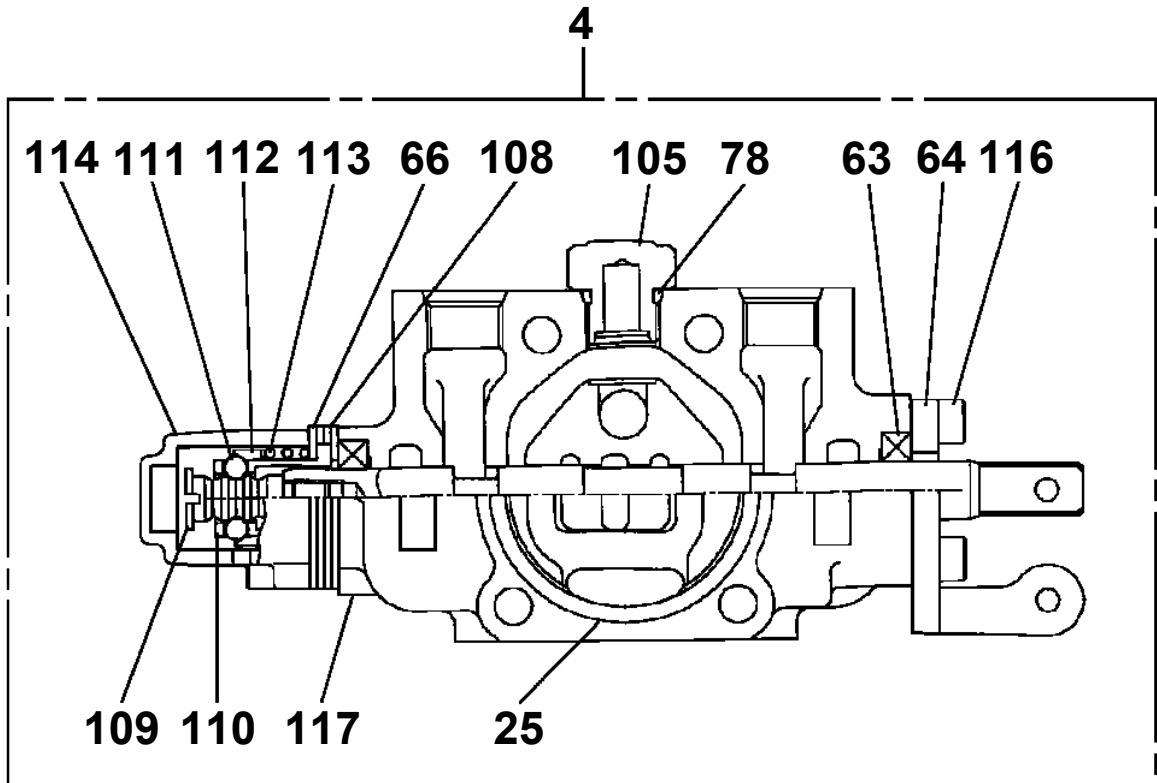
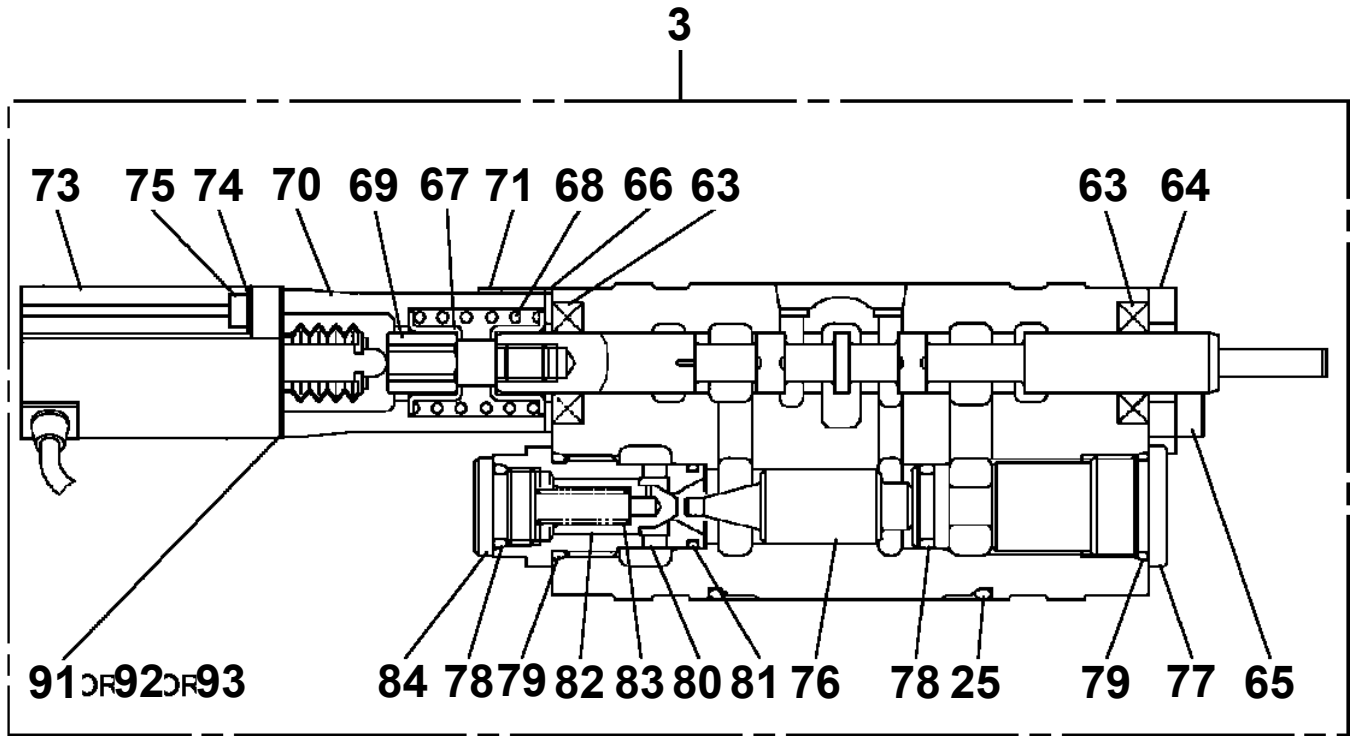
- Please note: If there is no response to CLICKING the link, please download this PDF first and then click on it.

CLICK HERE TO **DOWNLOAD** THE COMPLETE MANUAL

AT-170-2 42087240302 UPPER,LOWER,ISUZU TPG-NKR85N-HN5AY-M
PB1100101-02 PUMP,HYDRAULIC (EMERGENCY)

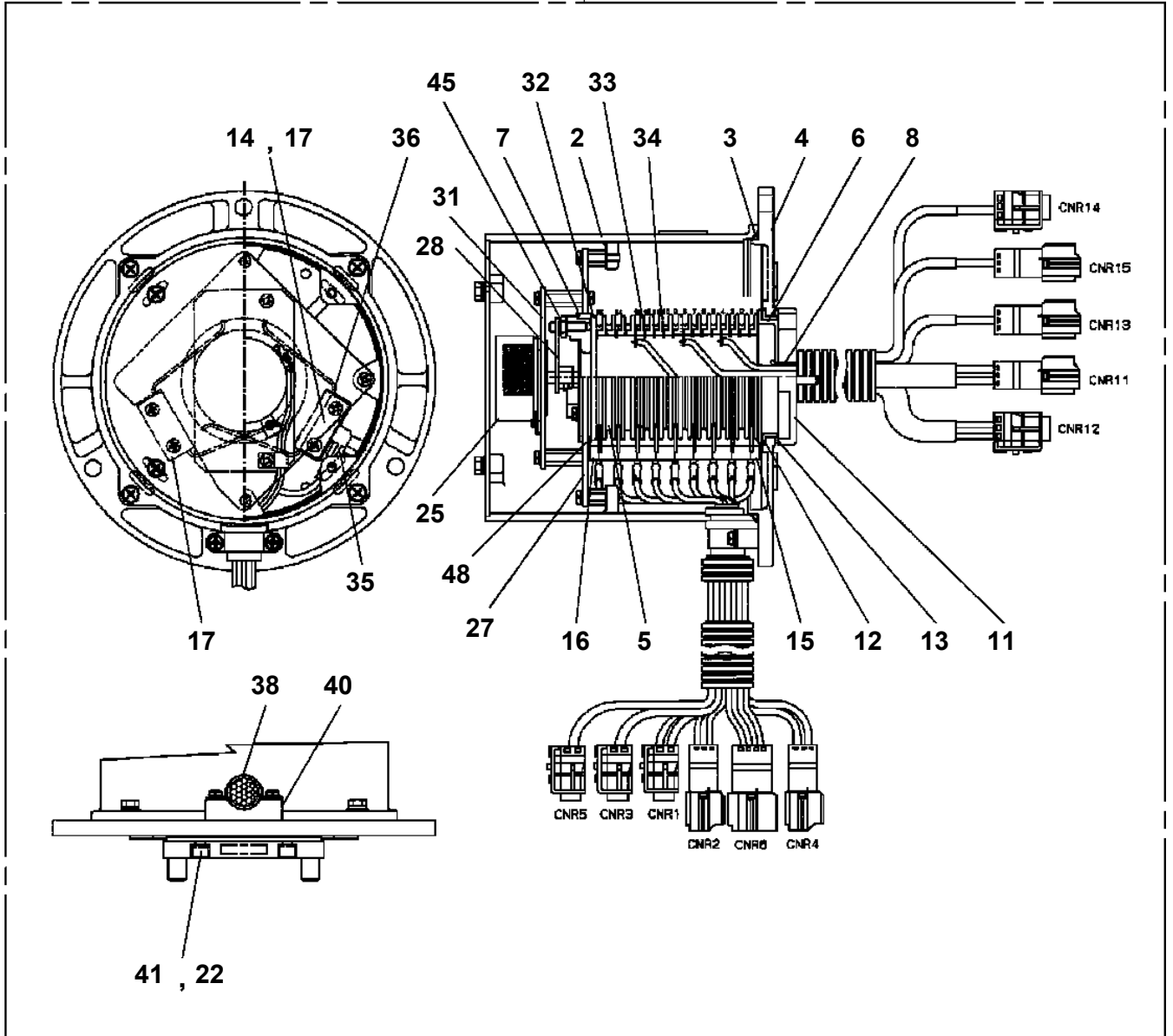


**AT-170-2 42087240302 UPPER,LOWER,ISUZU TPG-NKR85N-HN5AY-M
PB1320537-01 VALVE,MANUAL CONTROL**

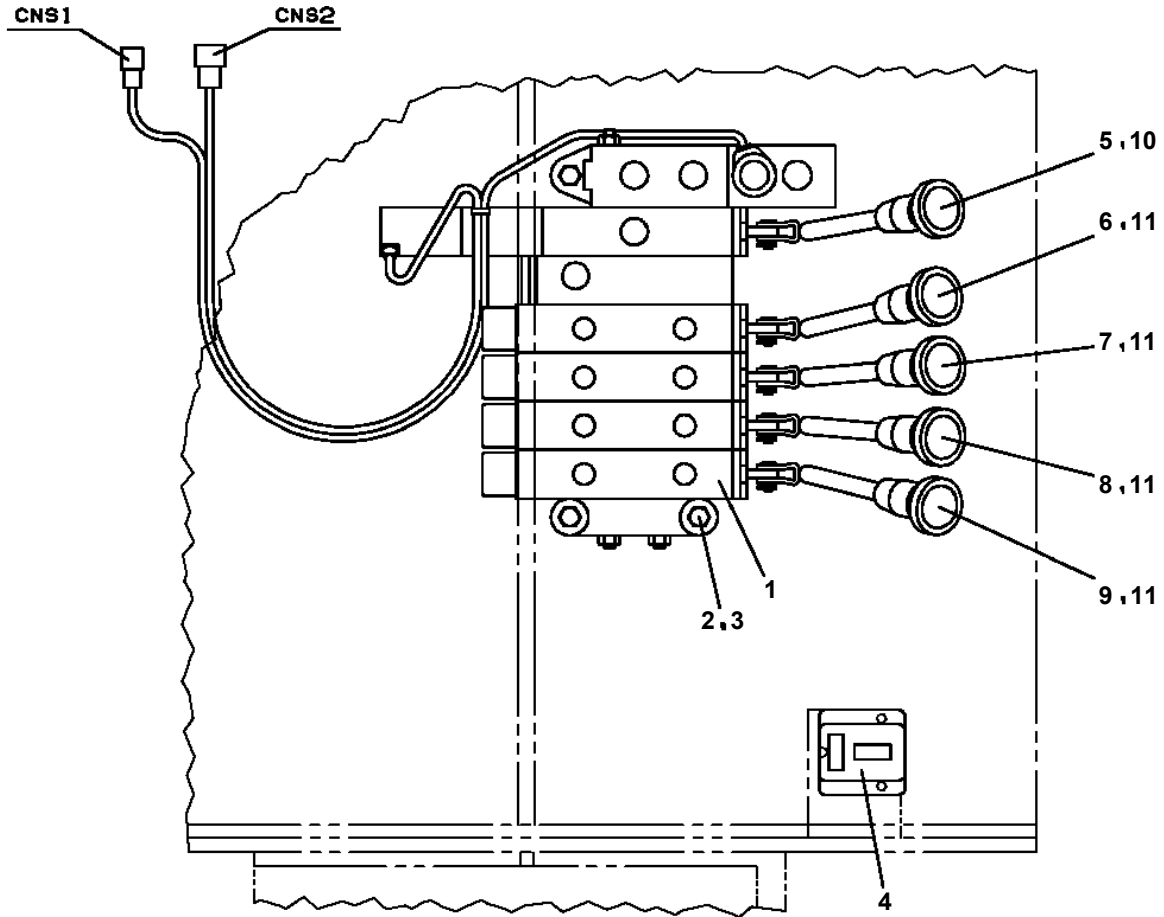


AT-170-2 42087240302 UPPER,LOWER,ISUZU TPG-NKR85N-HN5AY-M
PB5330002-00 BRUSH ASSY

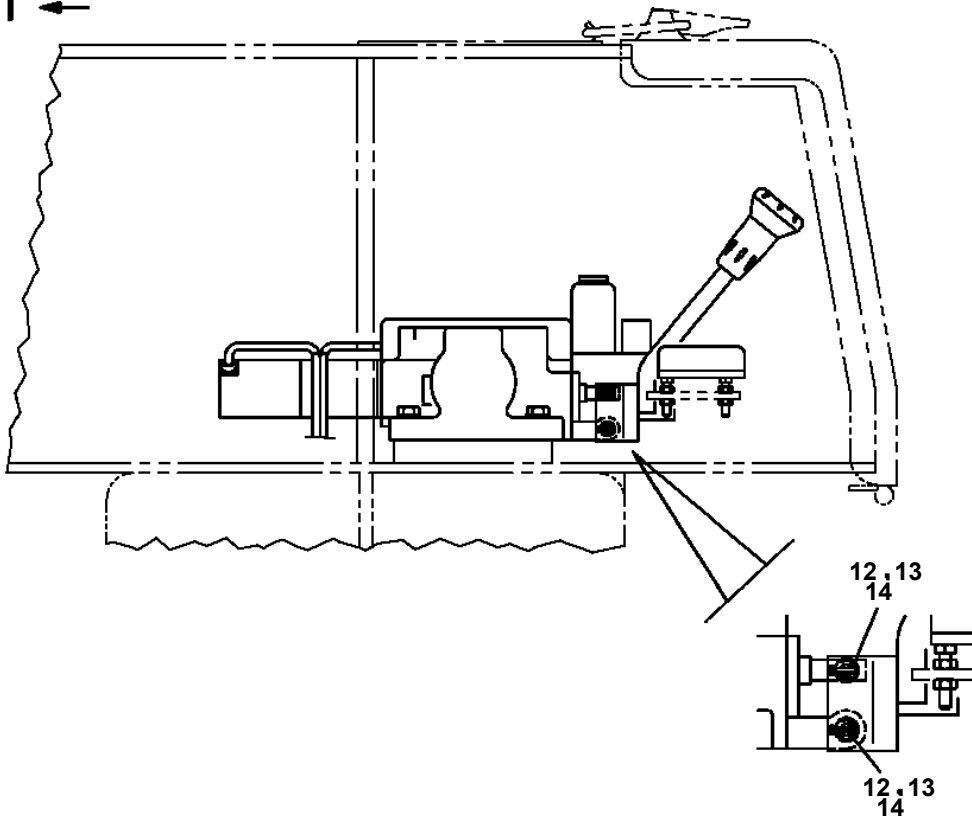
100



AT-170-2 42087240302 UPPER,LOWER,ISUZU TPG-NKR85N-HN5AY-M
PC1100296-00 OPE.ASSY,OUTRIGGER

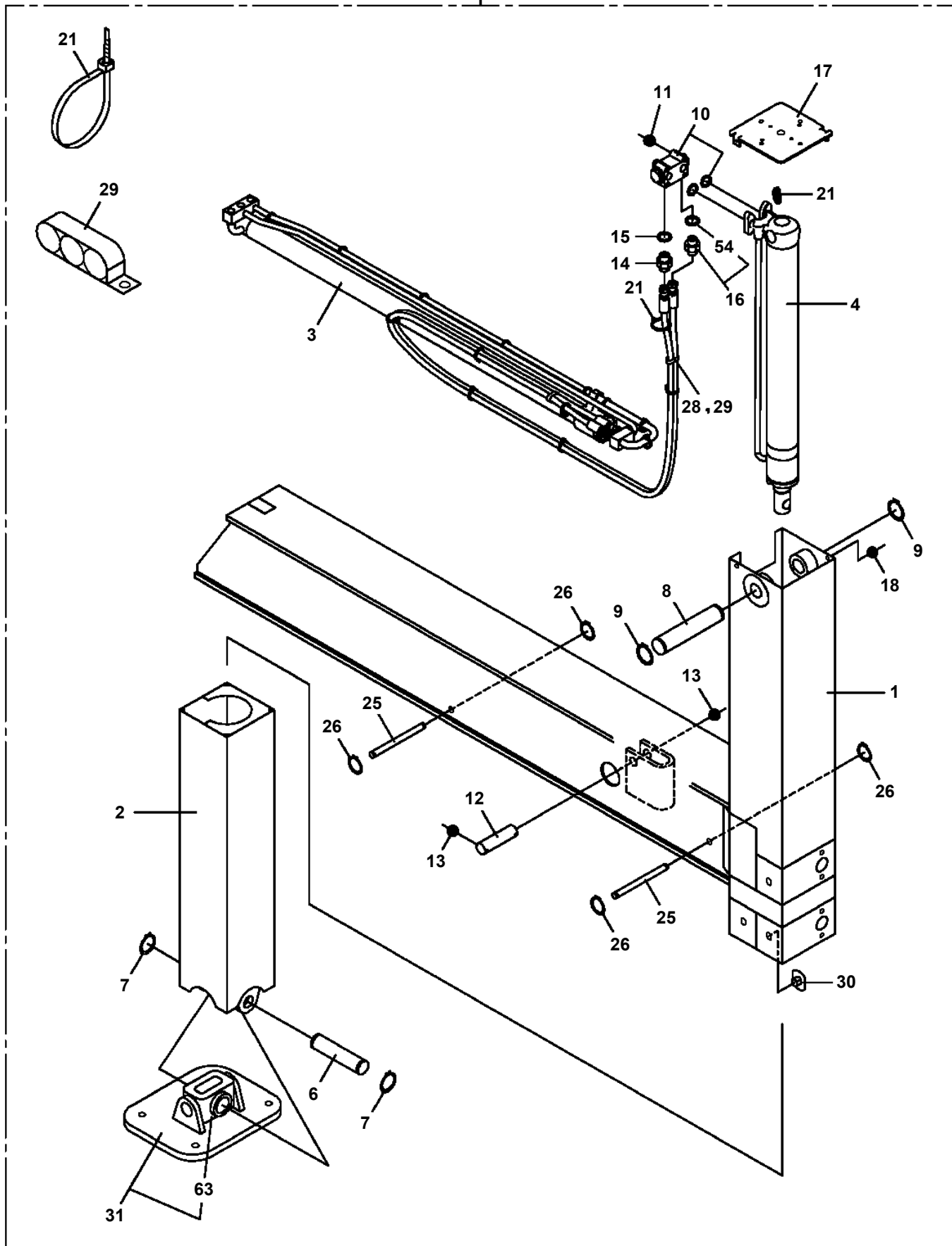


FRONT ←

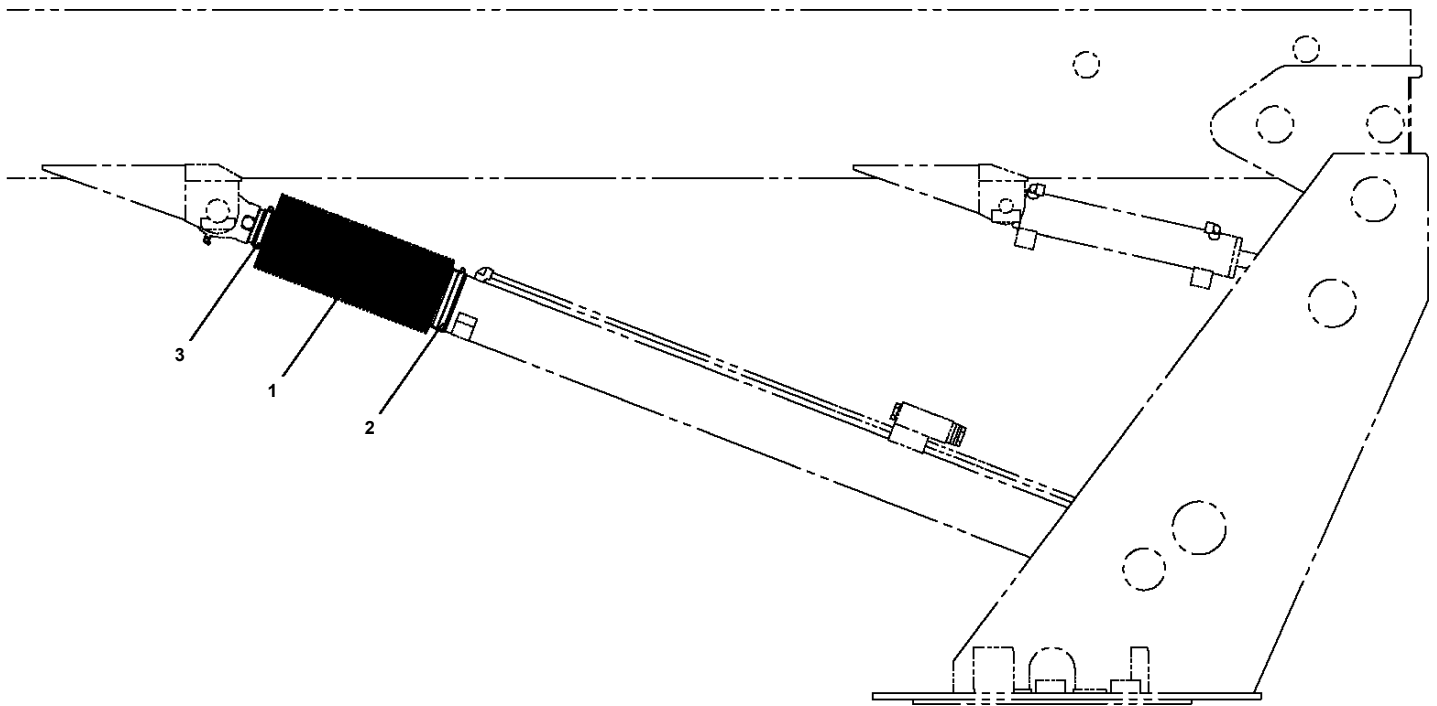


AT-170-2 42087240302 UPPER,LOWER,ISUZU TPG-NKR85N-HN5AY-M
PC5150179-00 CASE ASSY,INNER (REAR)

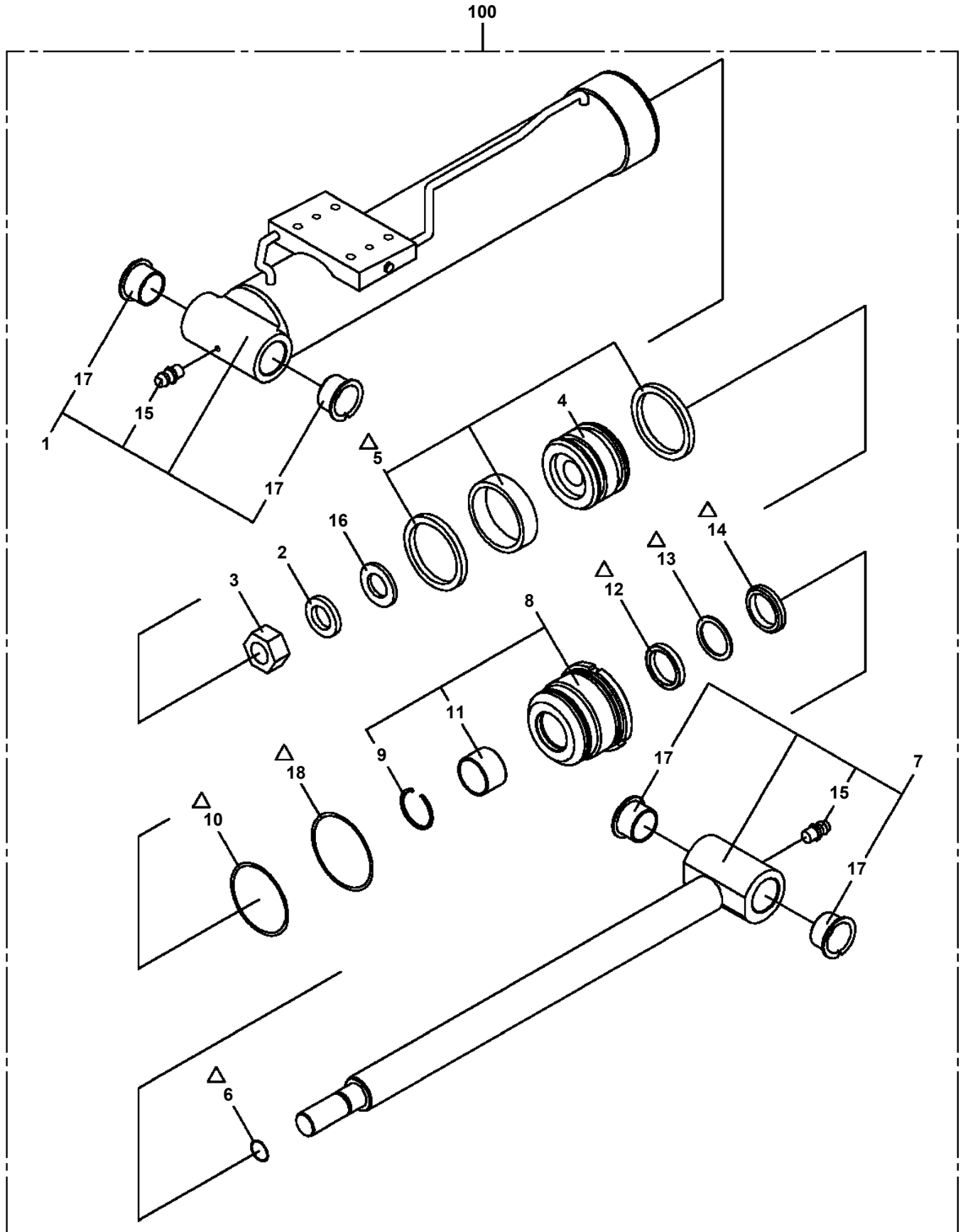
100



**AT-170-2 42087240302 UPPER,LOWER,ISUZU TPG-NKR85N-HN5AY-M
PC5570138-00 COVER ASSY (BOOM ELEVATING CYLINDER BOOT)**



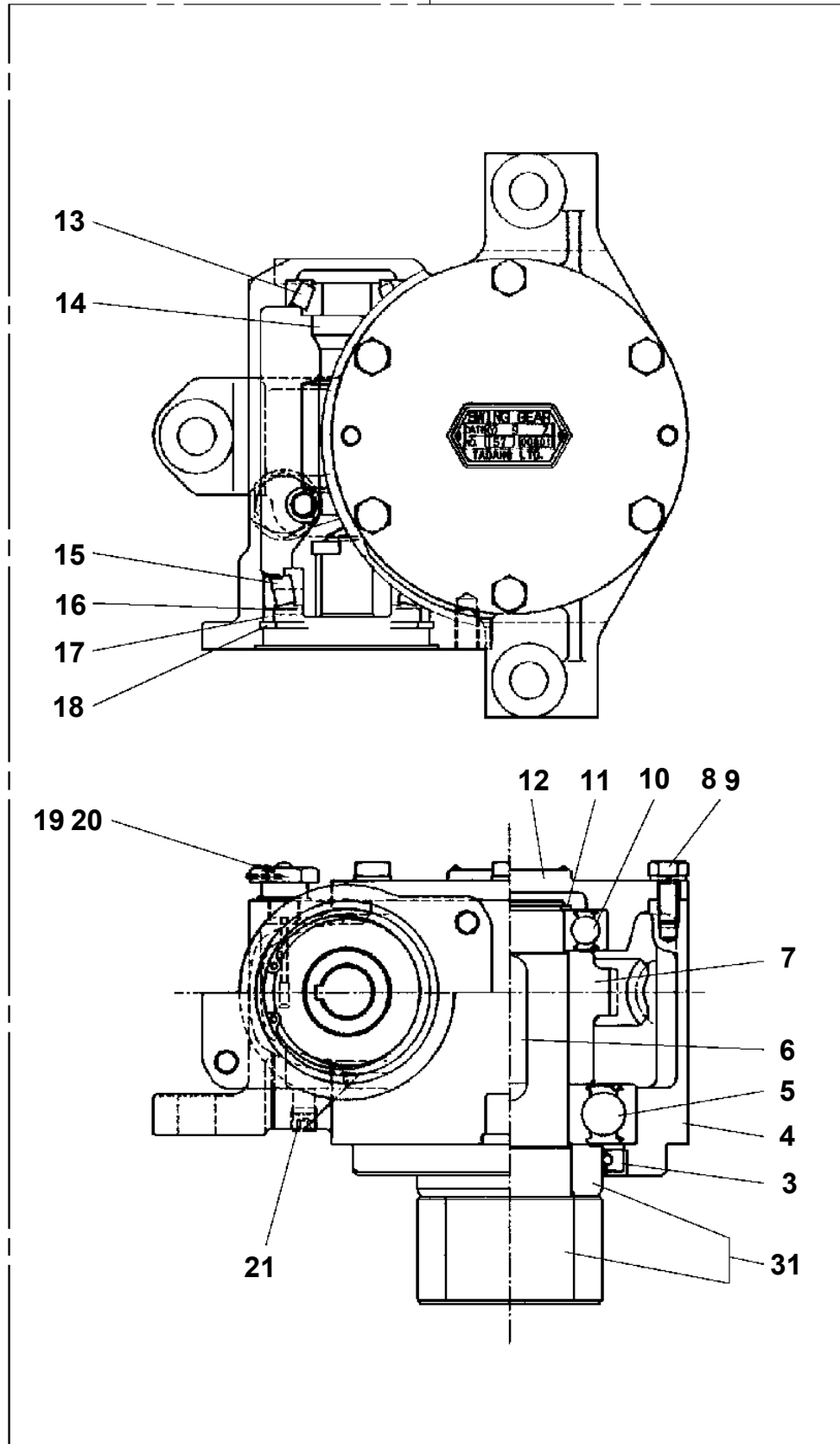
AT-170-2 42087240302 UPPER,LOWER,ISUZU TPG-NKR85N-HN5AY-M
PC6400017-00 CYLINDER ASSY,LEVELING (UPPER)



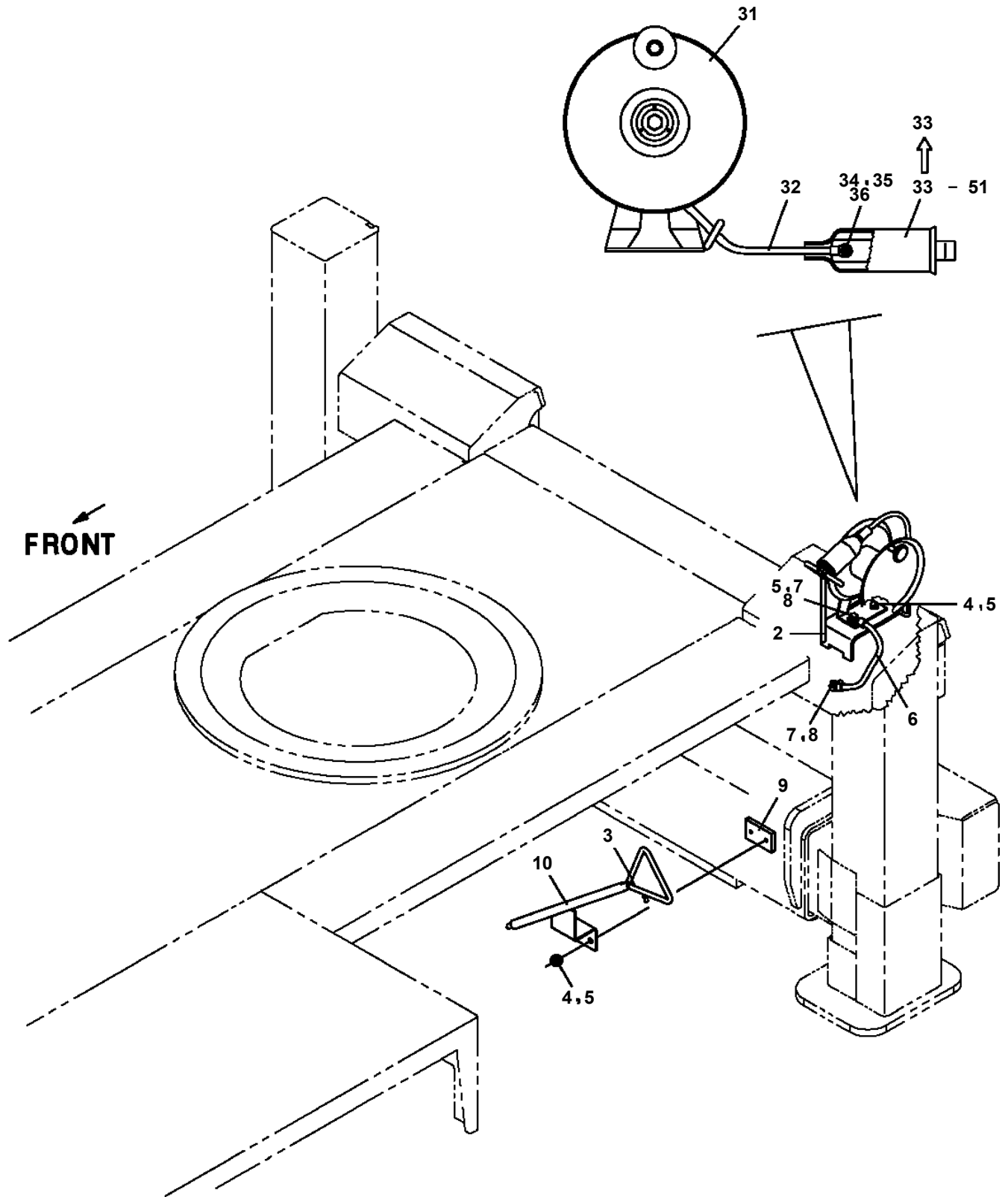
△:PACKING SET KEY NO. 80 (KEY NO. 5,6,10,12,13,14,18)

AT-170-2 42087240302 UPPER,LOWER,ISUZU TPG-NKR85N-HN5AY-M
PD1010160-00 REDUCER,SWING SPEED

50



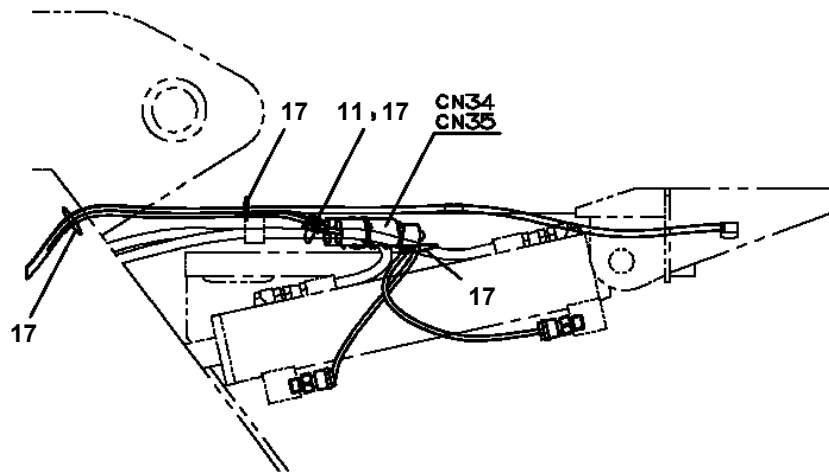
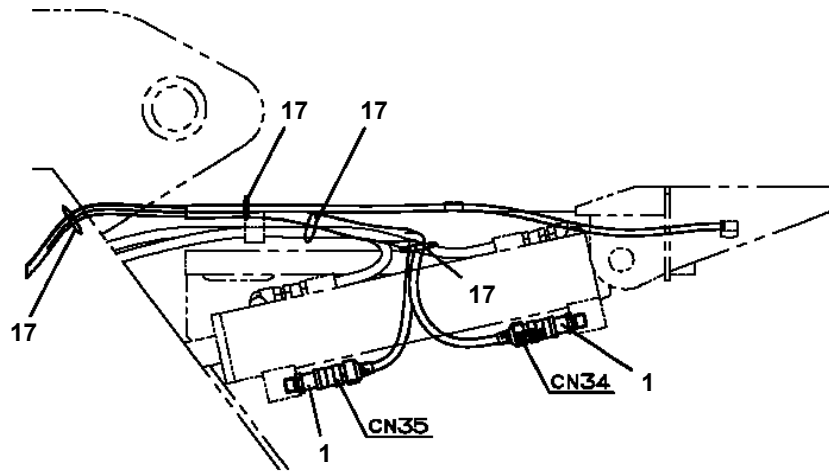
AT-170-2 42087240302 UPPER,LOWER,ISUZU TPG-NKR85N-HN5AY-M
PE5010027-00 EARTH ASSY (8X10M,CROCODILE CLIP/ISUZU)



AT-170-2 42087240302 UPPER,LOWER,ISUZU TPG-NKR85N-HN5AY-M

Pos No.	Parts No	Parts Name	Qty	Unit	Technical Data	Serial No (Start)	Serial No (End)	Remarks	Pages
1	42357970020	HARNESS	1						000067
2	42357970010	HARNESS	1						000068
3	37000714450	CLAMP ASSY	2						

AT-170-2 42087240302 UPPER,LOWER,ISUZU TPG-NKR85N-HN5AY-M
PE5190023-04 ELEC.ASSY,SWING FRAME



B

AT-170-2 42087240302 UPPER,LOWER,ISUZU TPG-NKR85N-HN5AY-M

Pos No.	Parts No	Parts Name	Qty	Unit	Technical Data	Serial No (Start)	Serial No (End)	Remarks	Pages
1	42973510100	GUARD	1						
2	37000549740	PLATE	6						
3	90201200800	NUT	6		M8				
4	90302040801	WASHER,SPRING	6		8				
5	90303070801	WASHER,PLAIN	6		8				
6	90101208020	BOLT	6		M8X20				

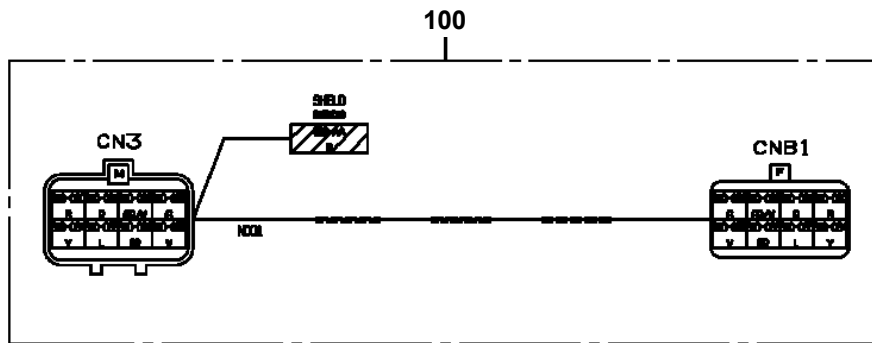
AT-170-2 42087240302 UPPER,LOWER,ISUZU TPG-NKR85N-HN5AY-M

Pos No.	Parts No	Parts Name	Qty	Unit	Technical Data	Serial No (Start)	Serial No (End)	Remarks	Pages
100	42900360100	HARNESS	1						

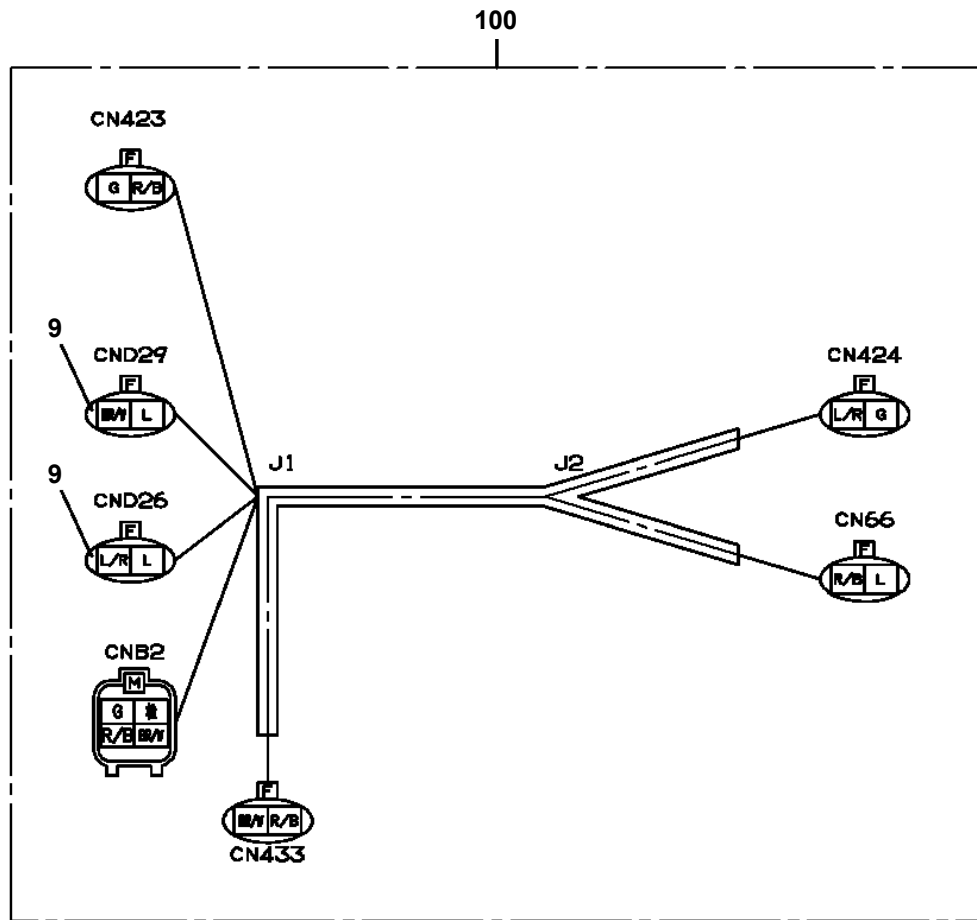
AT-170-2 42087240302 UPPER,LOWER,ISUZU TPG-NKR85N-HN5AY-M

Pos No.	Parts No	Parts Name	Qty	Unit	Technical Data	Serial No (Start)	Serial No (End)	Remarks	Pages
100	42358000020	HARNESS	1						

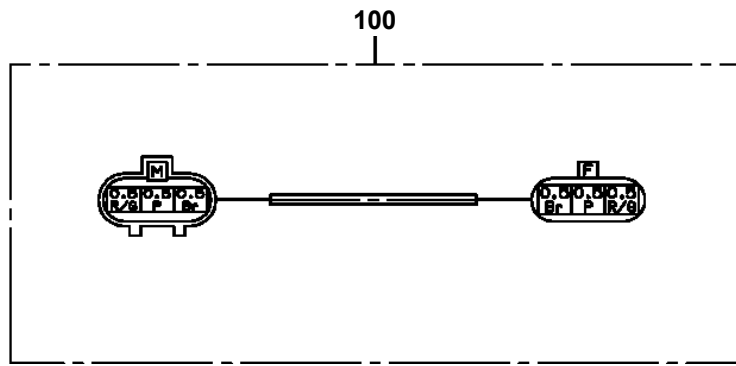
AT-170-2 42087240302 UPPER,LOWER,ISUZU TPG-NKR85N-HN5AY-M
PH5031981-00 HARNESS



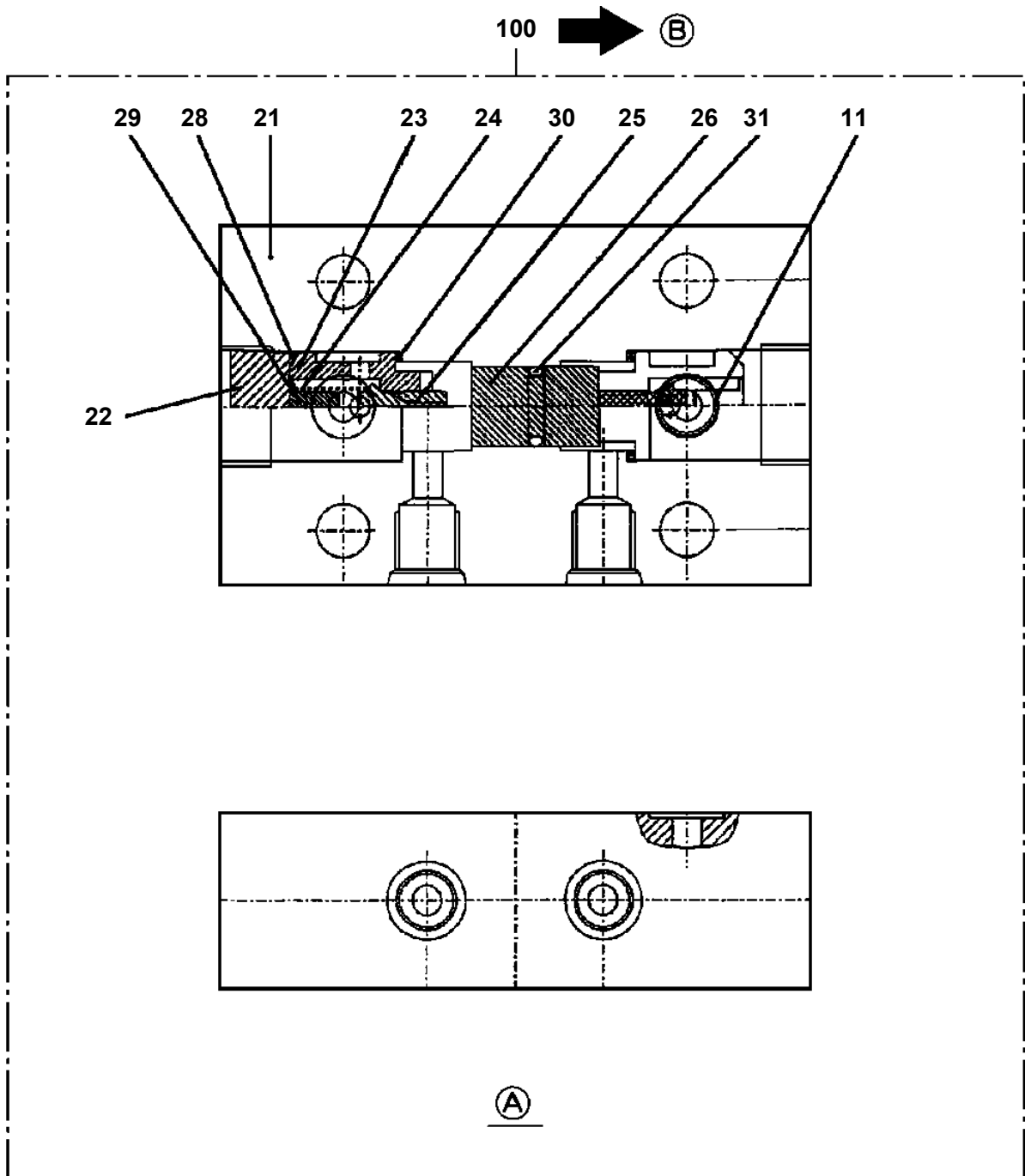
AT-170-2 42087240302 UPPER,LOWER,ISUZU TPG-NKR85N-HN5AY-M
PH5032322-00 HARNESS



AT-170-2 42087240302 UPPER,LOWER,ISUZU TPG-NKR85N-HN5AY-M
PH5034174-00 HARNESS



AT-170-2 42087240302 UPPER,LOWER,ISUZU TPG-NKR85N-HN5AY-M
PI1140133-01 VALVE,CHECK



CLICK HERE TO **DOWNLOAD** THE COMPLETE MANUAL

- Thank you very much for reading the preview of the manual.
- You can download the complete manual from: www.heydownloads.com by clicking the link below



- Please note: If there is no response to CLICKING the link, please download this PDF first and then click on it.

CLICK HERE TO **DOWNLOAD** THE COMPLETE MANUAL

AT-170-2 42087240302 UPPER,LOWER,ISUZU TPG-NKR85N-HN5AY-M

Pos No.	Parts No	Parts Name	Qty	Unit	Technical Data	Serial No (Start)	Serial No (End)	Remark
1	80316100040	PLUG	1		PF1/2			
2	91002801800	O-RING	1		1B P18			
7	91002801600	O-RING	1		1B P16			
10	36605515030	SPRING	1					
11	91002902500	O-RING	1		1B G25			
12	36605515040	GUIDE	1					
13	36605515050	COVER	1					
14	36620030010	PLUG	1		PF3/8			
15	91002801400	O-RING	2		1B P14			
16	52255101000	SPRING	1					
18	36605515060	PISTON	1					
19	91002801000	O-RING	1		1B P10			
20	80316100030	PLUG	1		G3/8			
21	91002801200	O-RING	2		1B P12			
22	90131708035	BOLT,HEXAGON SOCKET	4		M8X35			
23	80316090020	PLUG	3		KKT PT1/8			
31	36605515070	BODY ASSY	1					
32	36605515082	VALVE,CHECK	1					
50	36605510001	VALVE,COUNTERBALANCE	1					

AT-170-2 42087240302 UPPER,LOWER,ISUZU TPG-NKR85N-HN5AY-M

Pos No.	Parts No	Parts Name	Qty	Unit	Technical Data	Serial No (Start)	Serial No (End)	Remarks
1	(*****)	FRAME ASSY	1					
2	(*****)	OUTRIGGER ASSY,FRONT	1					
3	(*****)	OUTRIGGER ASSY,REAR	1					
4	(*****)	PIPING ASSY,FRAME	1					
5	(*****)	OPE.ASSY,OUTRIGGER	1					
6	(*****)	ELEC.ASSY,FRAME	1					
7	(*****)	MOUNT ASSY,TANK	1					

AT-170-2 42087240302 UPPER,LOWER,ISUZU TPG-NKR85N-HN5AY-M

Pos No.	Parts No	Parts Name	Qty	Unit	Technical Data	Serial No (Start)	Serial No (End)	Remarks
1	82199105017	LAMP (ASSY ONLY)	1					
2	90101212020	BOLT	1		M12X20			
3	90302041201	WASHER,SPRING	1		12			
4	37000179070	PIN	1					
5	80620210160	PIN,SNAP	1					
100	42510232000	LAMP ASSY (SQUARE TYPE)	1					

AT-170-2 42087240302 UPPER,LOWER,ISUZU TPG-NKR85N-HN5AY-M

Pos No.	Parts No	Parts Name	Qty	Unit	Technical Data	Serial No (Start)	Serial No (End)	Remarks
1	36663955100	SHAFT	1					
2	80500006206	BEARING,BALL	1					
4	91001206500	O-RING	1		1A G65			
5	36660025021	COVER (OIL SEAL)	1					
6	36660025140	SEAL,OIL	1					
7	36663485110	RING,RETAINING	1		R72			
8	36663955020	PLATE,THRUST	1					
9	36663955030	BARREL ASSY (CYLINDER)	1					
10	36663955040	PLATE (VALVE)	1					
11	36661925030	COVER (BOTTOM)	1					
12	80500006203	BEARING,BALL	1					
13	36662355110	PIN	2					
14	36663955050	O-RING	1					
15	36663955060	BOLT	6		M10X35			
16	14125151020	KEY	1					
17	36660125060	PLUG	2		PF3/8			
18	36081315130	PROTECTOR (THREAD)	2					
44	36660025100	SPRING (PLUNGER)	5					
45	14125151300	RING,RETAINING	1					
46	12645103171	SPRING (CENTER)	1					
100	36664070000	MOTOR,OIL	1					

AT-170-2 42087240302 UPPER,LOWER,ISUZU TPG-NKR85N-HN5AY-M

Pos No.	Parts No	Parts Name	Qty	Unit	Technical Data	Serial No (Start)	Serial No (End)	Remarks
1	42394271310	PLATE,NAME (MARKING)	4					
2	42591011070	PLATE,NAME	6					
3	42394271320	PLATE,NAME (MARKING)	1					
4	42944840010	PLATE,NAME	8					

AT-170-2 42087240302 UPPER,LOWER,ISUZU TPG-NKR85N-HN5AY-M

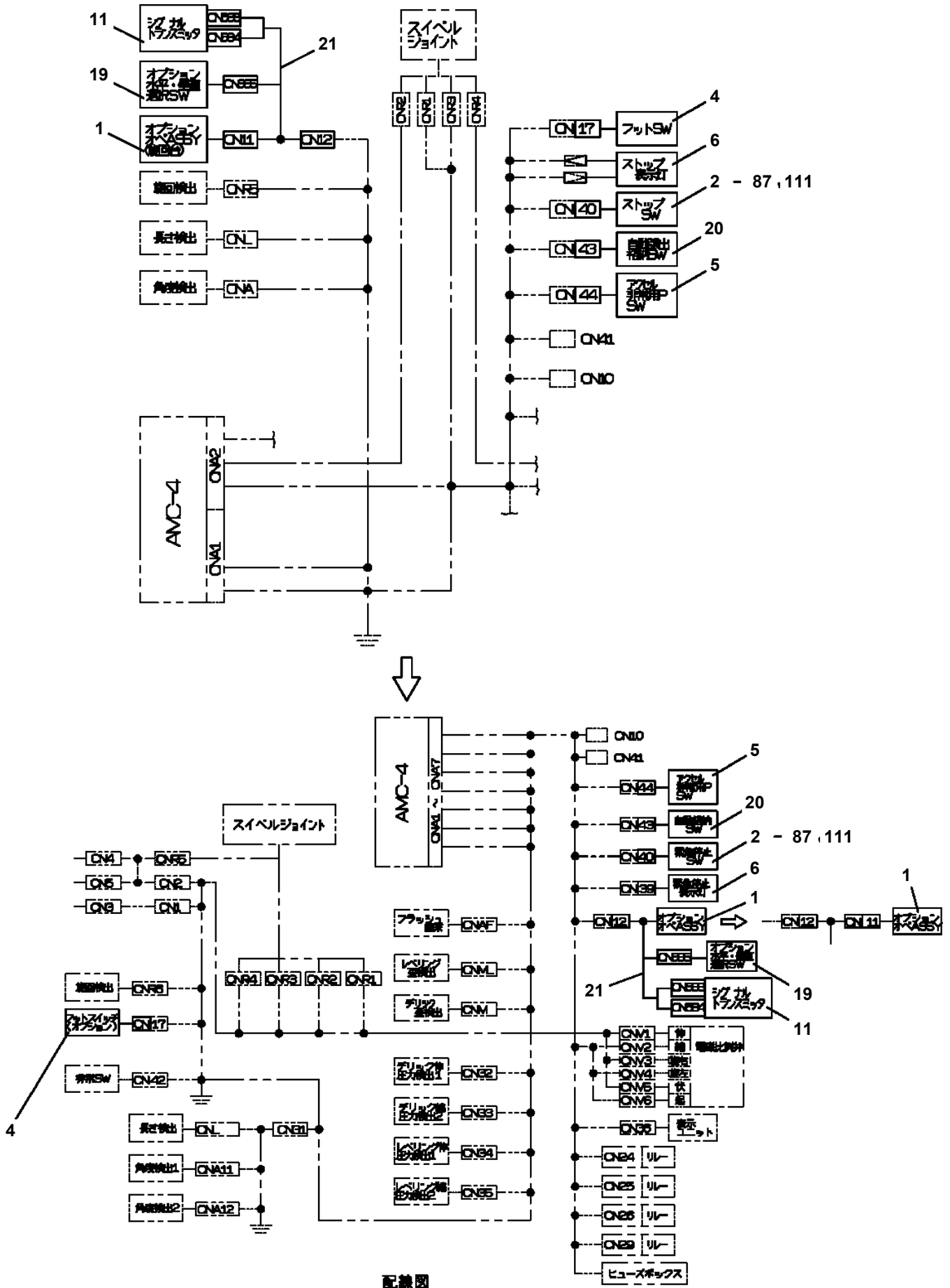
Pos No.	Parts No	Parts Name	Qty	Unit	Technical Data	Serial No (Start)	Serial No (End)	Remarks	Pages
1	42511910100	PLATE (NON-SLIP)	7						
2	42511810200	PLATE (NON-SLIP)	16						
3	42511910200	PLATE (NON-SLIP)	1						
4	42511810300	PLATE (NON-SLIP)	6						

**AT-170-2 42087240302 UPPER,LOWER,ISUZU TPG-NKR85N-HN5AY-M
PO1000183-00 INDICATION PLATES (LOWER)**

メイパ ン (カブ)
INDICATION PLATES (LOWER)

〔組立名称一覧〕より選択してください。
SEE THE CORRESPONDING "ASSEMBLY NAME" LIST.

AT-170-2 42087240302 UPPER,LOWER,ISUZU TPG-NKR85N-HN5AY-M
 PO5010037-02 OPE.ASSY (SWING FRAME)



AT-170-2 42087240302 UPPER,LOWER,ISUZU TPG-NKR85N-HN5AY-M

Pos No.	Parts No	Parts Name	Qty	Unit	Technical Data	Serial No (Start)	Serial No (End)	Remarks
2	90302041001	WASHER,SPRING	28		10			
3	31611640150	SPRING	2					
4	90171108016	BOLT	4		M8X16			
5	37000504780	PLATE	4		T=0.6			
9	42612850300	PLATE	4					
11	90101206014	BOLT	4		M6X14		231616	
	90101206016	BOLT	4		M6X16	231617		
12	90302040601	WASHER,SPRING	4		6			
13	42612850400	BLADE	2					
16	37002019590	PLATE,SLIDE	4					
17	42612850200	PLATE	8		T=6			
18	90101210016	BOLT	16		M10X16			
19	37000581940	PLATE	24		T=0.5			
20	37000506590	PLATE	16		T=1.6			
21	90303070601	WASHER,PLAIN	4		6			
22	90101208012	BOLT	4		M8X12			
23	90302040801	WASHER,SPRING	4		8			
24	37000575240	PLATE	2		T=3			
25	37000178190	PIN	2					
27	42615051002	CASE ASSY,INNER (REAR)	1					
28	42614050020	PLATE,SLIDE	2					
29	37001510810	BOLT	4		M8X25			
30	37002011280	PLATE,SLIDE	8		T=9.5			
31	42615052002	CASE ASSY,INNER (REAR)	1					
32	90171110016	BOLT	12		M10X16			
33	42615050100	PLATE	4					

AT-170-2 42087240302 UPPER,LOWER,ISUZU TPG-NKR85N-HN5AY-M

Pos No.	Parts No	Parts Name	Qty	Unit	Technical Data	Serial No (S
1	(*****)	PARTS ASSY,ELECTRICITY (LOWER:100V POWER SUPPLY)	1			
2	(*****)	PARTS ASSY,ELECTRICITY (BUCKET:100V POWER SUPPLY)	1			

AT-170-2 42087240302 UPPER,LOWER,ISUZU TPG-NKR85N-HN5AY-M

Pos No.	Parts No	Parts Name	Qty	Unit	Technical Data	Serial No (Start)	Serial No (End)	Remarks	Page
50	36652335010	GASKET	2						
51	36652335020	GASKET	2						
54	53063551010	SEAL,OIL	1						
55	80602110360	RING,RITAINING	1		R36				
100	36652840000	PUMP,OIL (32CC:L)	1						

AT-170-2 42087240302 UPPER,LOWER,ISUZU TPG-NKR85N-HN5AY-M

Pos No.	Parts No	Parts Name	Qty	Unit	Technical Data	Serial No (Start)	Serial No (End)	Remarks	Pages
1	44340011200	JOINT	1		PF1				
2	91002802900	O-RING	1		1B P29				
3	80400160131	JOINT	1						
4	91002801800	O-RING	1		1B P18				
5	37002482860	HOSE	1		L=1800				
6	91803600400	CLIP	4		D=27-40				
7	37002514800	HOSE	1		L=1800				
8	82100002018	CLAMP	4		WR35				
9	90302040801	WASHER,SPRING	8		8				
10	90101208016	BOLT	2		M8X16				
11	82100002015	CLAMP	3		WRC20				
12	90201200800	NUT	7		M8				
13	43640090100	SUPPORT	2						
14	90101208025	BOLT	6		M8X25				

AT-170-2 42087240302 UPPER,LOWER,ISUZU TPG-NKR85N-HN5AY-M

Pos No.	Parts No	Parts Name	Qty	Unit	Technical Data	Serial No (Start)	Serial No (End)	Remarks
1	82108501210	SWITCH	1					
2	34354781710	RELAY (WITH BRACKET)	1					
3	90186206010	BOLT,FLANGE	4		M6X10			
4	90101210025	BOLT	5		M10X25			
5	90302041001	WASHER,SPRING	5		10			
6	90240201000	NUT,CAP	5		M10			
7	83152310608	SHACKLE	2					
8	90101206030	BOLT	2		M6X30			
9	90203200600	NUT	2		M6			
10	90102208055	BOLT	2		M8X55			
11	90202200800	NUT	2		M8			
12	90101208018	BOLT	2		M8X18			
13	90302040801	WASHER,SPRING	4		8			
14	90303070801	WASHER,PLAIN	2		8			
15	90101208014	BOLT	2		M8X14			
16	42510370100	SUPPORT	1					
17	42510370200	ROPE,WIRE	1		5X640			
18	42511380100	SUPPORT	1					
19	42510370400	COVER	1					
20	42511380200	COVER	1					
21	42510370600	HARNESS	1					
22	91810130240	FASTENER	N					
23	42510371000	GUIDE ASSY	1					
24	42511382000	SUPPORT	1					
25	90101206016	BOLT	2		M6X16			
26	90302040601	WASHER,SPRING	2		6			
27	90201200600	NUT	2		M6			
28	82100002006	CLAMP	1		WR10			
29	42477840010	PLATE,NAME	1					
30	37000505950	PLATE	5		T=3.2			
31	82400000095	GROMMET	1					
51	42510371100	GUIDE,BLOCK	1					
52	42510371200	PIN	1					
53	44430561500	GUIDE	1					
54	37001201400	SPRING	1					
55	90172106040	BOLT,HEXAGON SOCKET	2		M6X40			

AT-170-2 42087240302 UPPER,LOWER,ISUZU TPG-NKR85N-HN5AY-M

Pos No.	Parts No	Parts Name	Qty	Unit	Technical Data	Serial No (Start)	Serial No (End)	Remarks	Pages
1	82105220123	SWITCH,TOGGLE	1						
2	82105220183	SWITCH,TOGGLE	1						
100	42333522101	SWITCH ASSY	1						

AT-170-2 42087240302 UPPER,LOWER,ISUZU TPG-NKR85N-HN5AY-M

Pos No.	Parts No	Parts Name	Qty	Unit	Technical Data	Serial No (Start)	Serial No (End)	Rema
50	36120760000	TRANSMITTER ASSY,SIGNAL	1					

AT-170-2 42087240302 UPPER,LOWER,ISUZU TPG-NKR85N-HN5AY-M

Pos No.	Parts No	Parts Name	Qty	Unit	Technical Data	Serial No (Start)	Serial No (End)
1	(*****)	ACCESSORIES	1				
2	(*****)	ACCESSORIES ASSY (WITHOUT BLOCK,RUBBER)	1				

AT-170-2 42087240302 UPPER,LOWER,ISUZU TPG-NKR85N-HN5AY-M

Pos No.	Parts No	Parts Name	Qty	Unit	Technical Data	Serial No (Start)	Serial No (End)	Remarks	Pages
1	42811264000	STEP	1						
2	90101212020	BOLT	4		M12X20				
3	90302041201	WASHER,SPRING	4		12				

AT-170-2 42087240302 UPPER,LOWER,ISUZU TPG-NKR85N-HN5AY-M

Pos No.	Parts No	Parts Name	Qty	Unit	Technical Data	Serial No (Start)	Serial No (End)	Remarks
2	(*****)	MODIFICATION ASSY	1					
3	(*****)	MOUNT ASSY,TAIL LAMP	1					
4	(*****)	OPE.ASSY,ACCELERATOR	1					
5	(*****)	ELEC.ASSY,CARRIER	1					
6	(*****)	MOUNT ASSY,FRAME	1					
7	(*****)	MOUNT ASSY,BOOM SUPPORT	1					
8	(*****)	PIPING ASSY,MOUNTING	1					
9	(*****)	OPE.ASSY,P.T.O. (COUPLING)	1					
10	(*****)	MOUNT ASSY,WEIGHT	1					
11	(*****)	MOUNT ASSY,DECK ON CAB	1					
12	(*****)	STEP	1					
13	(*****)	ELEC.ASSY (TELEMATICS)	1					

AT-170-2 42087240302 UPPER,LOWER,ISUZU TPG-NKR85N-HN5AY-M

Pos No.	Parts No	Parts Name	Qty	Unit	Technical Data	Serial No (Start)	Serial No (End)	Remarks	Pages
1	42865840100	SPACER	2						
2	42865580202	SUPPORT	1						
3	90171116070	BOLT	6		M16X70				
4	90270401600	NUT	6		16				
5	90303501601	WASHER,PLAIN	12		16				
6	42865580301	SUPPORT	1						
7	42865840200	SUPPORT	1						
8	42864680200	SUPPORT	2						
9	42864690010	PLATE	N		T=0.5				
12	37002701590	CABLE ASSY	1		30B,L=280				
13	90201200800	NUT	1		M8				
14	90302040801	WASHER,SPRING	1		8				
15	90101208016	BOLT	1		M8X16				
16	42864690402	SUPPORT	1						
20	42865820020	SUPPORT	6		T=1.0				

AT-170-2 42087240302 UPPER,LOWER,ISUZU TPG-NKR85N-HN5AY-M

Pos No.	Parts No	Parts Name	Qty	Unit	Technical Data	Serial No (Start)	Serial No (End)	Remarks	Pages
1	42806830800	HARNESS	1						000061
2	42900360100	HARNESS	1						000058
3	42901670101	SUPPORT	1						
4	42901680100	SUPPORT	1						
5	90101206014	BOLT	6		M6X14				
6	90302040601	WASHER,SPRING	6		6				
7	90303070601	WASHER,PLAIN	6		6				
8	90101208016	BOLT	8		M8X16				
9	90302040801	WASHER,SPRING	10		8				
10	42900500101	SUPPORT	1						
11	90201200800	NUT	2		M8				
12	90303070801	WASHER,PLAIN	2		8				
13	91810130240	FASTENER	10						

AT-170-2 42087240302 UPPER,LOWER,ISUZU TPG-NKR85N-HN5AY-M

Pos No.	Parts No	Parts Name	Qty	Unit	Technical Data	Serial No (Start)	Serial No (End)	Remarks	Pages
1	42460021000	BELT,SAFETY	1						

CLICK HERE TO **DOWNLOAD** THE COMPLETE MANUAL

- Thank you very much for reading the preview of the manual.
- You can download the complete manual from: www.heydownloads.com by clicking the link below



- Please note: If there is no response to CLICKING the link, please download this PDF first and then click on it.

CLICK HERE TO **DOWNLOAD** THE COMPLETE MANUAL