

**AT-150S-2 42068232115 UPPER, LOWER, HINO TPG-XZU712M-YQTRC3**

**PB0000349-01 UPPER STRUCTURE SYSTEM**

**PB0000505-00 LOWER STRUCTURE SYSTEM**

**ASSEMBLY**

CLICK HERE TO **DOWNLOAD** THE COMPLETE MANUAL

- Thank you very much for reading the preview of the manual.
- You can download the complete manual from: [www.heydownloads.com](http://www.heydownloads.com) by clicking the link below

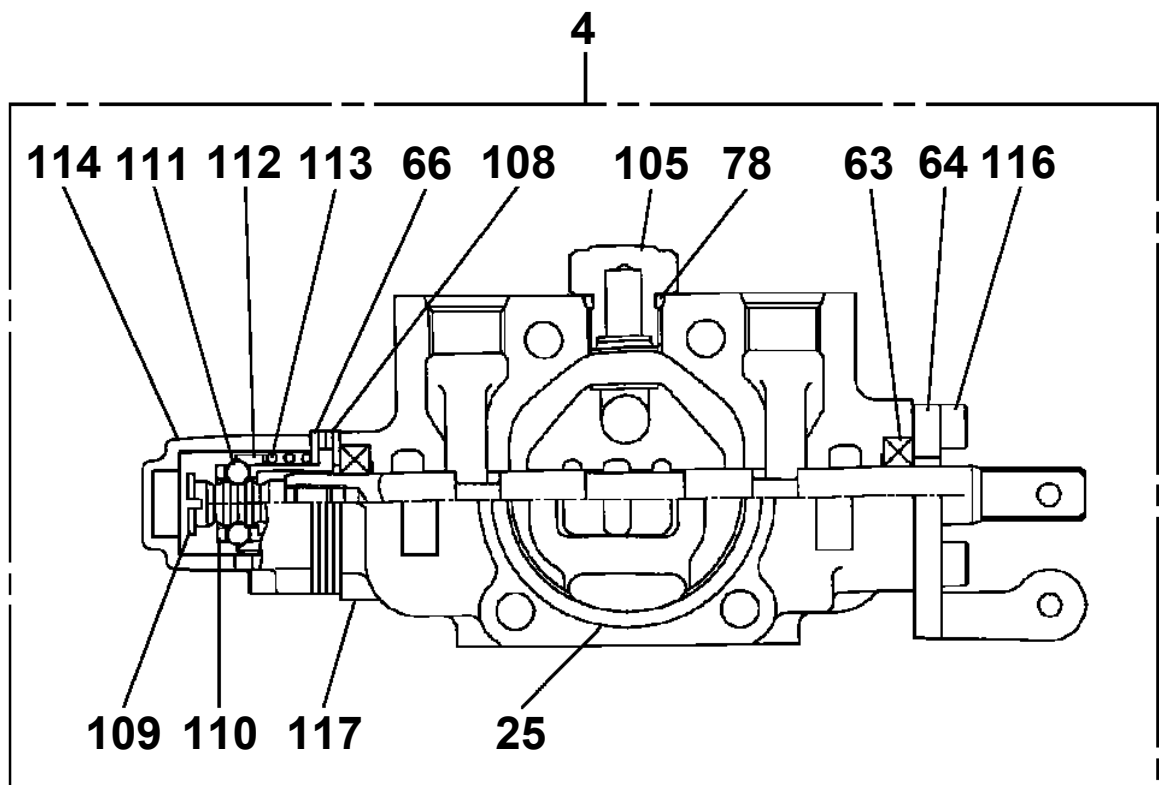
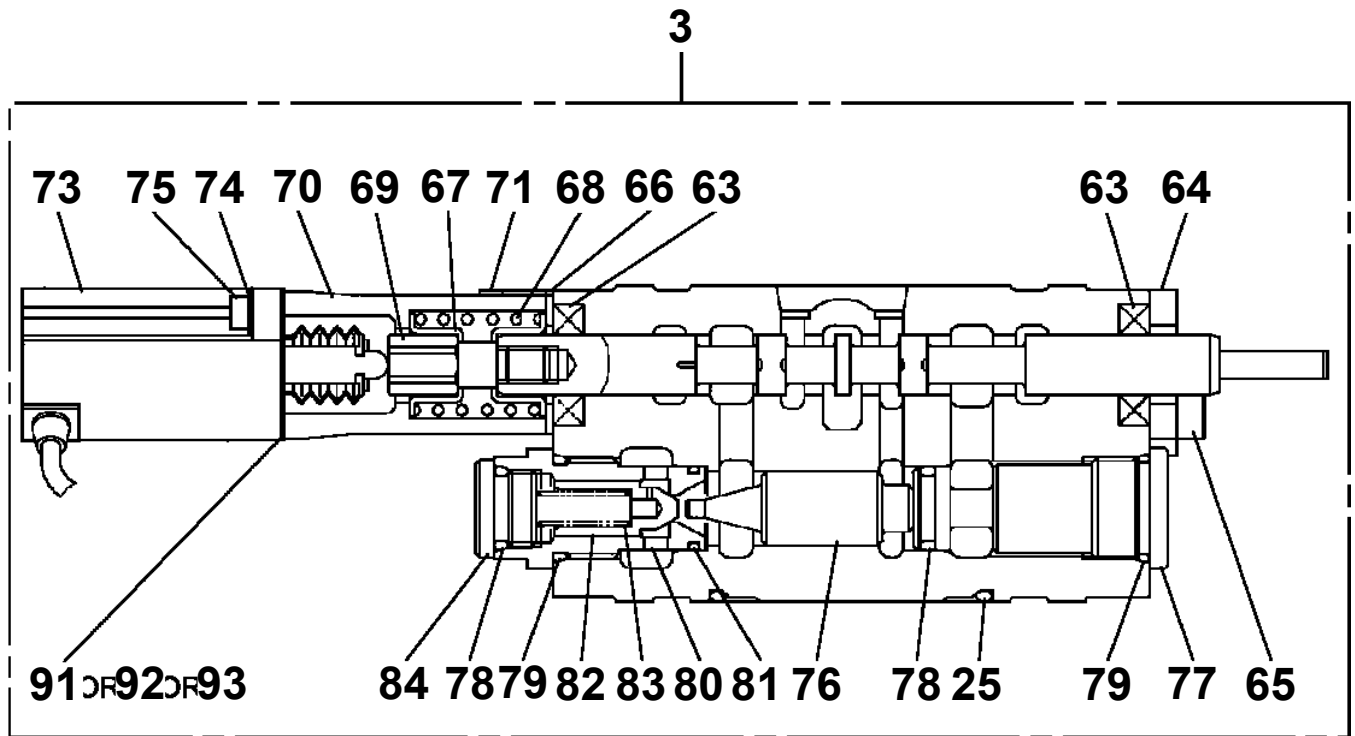


- Please note: If there is no response to CLICKING the link, please download this PDF first and then click on it.

CLICK HERE TO **DOWNLOAD** THE COMPLETE MANUAL



AT-150S-2 42068232115 UPPER, LOWER, HINO TPG-XZU712M-YQTRC3  
 PB1320537-01 VALVE, MANUAL CONTROL



# AT-150S-2 42068232115 UPPER, LOWER, HINO TPG-XZU712M-YQTRC3

Pos No.	Parts No	Parts Name	Qty	Unit	Technical Data	Serial No (Start)	Serial No (End)	Remarks	Pages
1	82119417515	CONNECTOR	1						000068
2	42514042110	HARNESS	1						
3	42474472100	BOX	1						
4	82100002006	CLAMP	1		WR10				
5	90101206014	BOLT	1		M6X14				
6	90201200600	NUT	1		M6				
7	90302040601	WASHER,SPRING	1		6				
8	90303070601	WASHER,PLAIN	1		6				
100	42514042100	BOX ASSY	1						

# AT-150S-2 42068232115 UPPER, LOWER, HINO TPG-XZU712M-YQTRC3

Pos No.	Parts No	Parts Name	Qty	Unit	Technical Data	Serial No (Start)	Serial No (End)	Remarks	P
1	90209201800	NUT	1		M18				
2	91684004500	PACKING	2						
3	91002802000	O-RING	1		1B P20				
4	36042810400	PISTON	1						
5	36042840100	ROD	1						
6	36043221000	CYLINDER	1						
7	36042810300	COVER,ROD	1						
8	91002904000	O-RING	1		1B G40				
9	91694003000	PACKING	1						
10	91660003001	SEAL,DUST	1						
11	90302041801	WASHER,SPRING	1		18				
12	90303071801	WASHER,PLAIN	1		18				
13	91002904500	O-RING	1		1B G45				
14	91411203501	RING,BACKUP	2						
30	36042819900	PACKING SET	1		30X45				
50	36043220000	CYLINDER,EXTENSION	1						

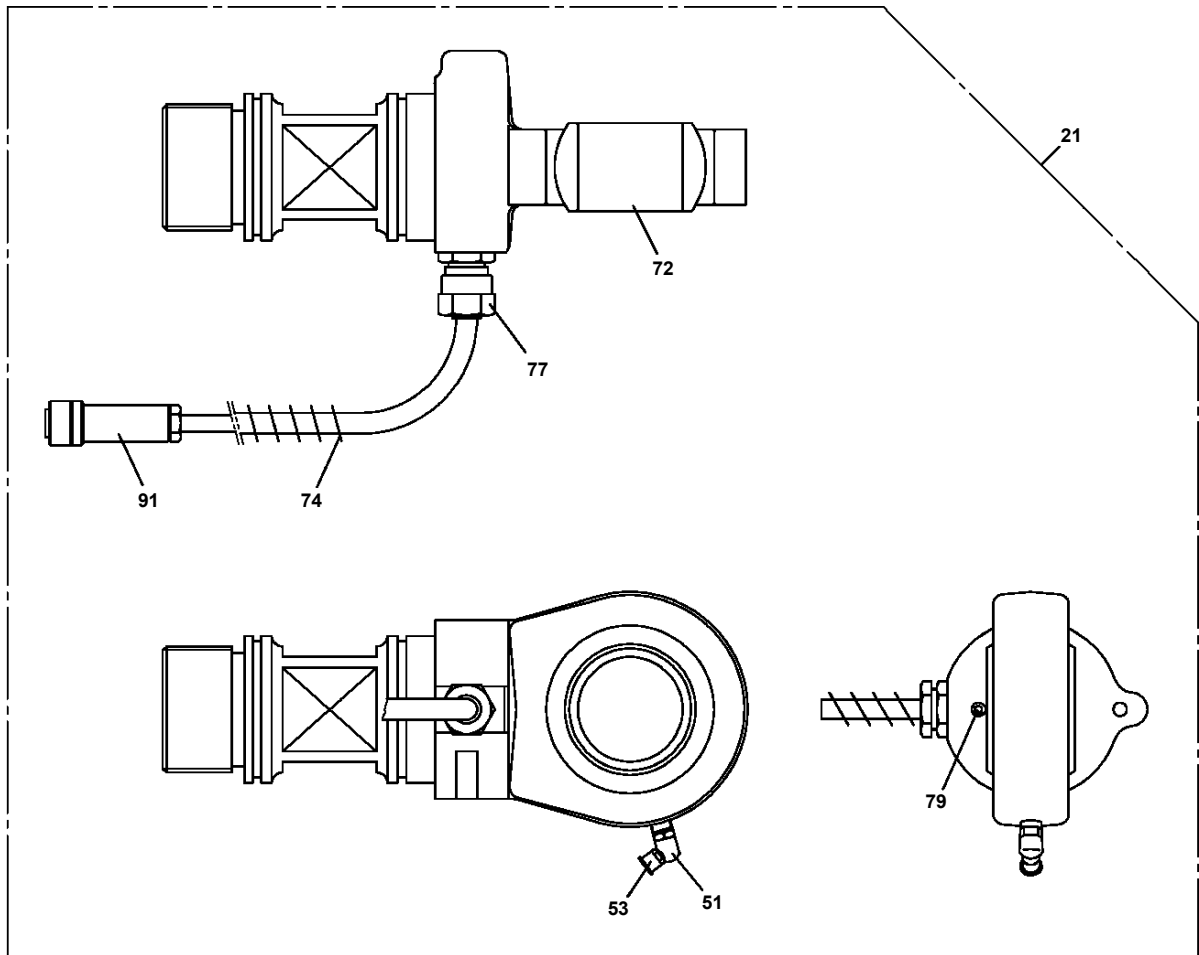
# AT-150S-2 42068232115 UPPER, LOWER, HINO TPG-XZU712M-YQTRC3

Pos No.	Parts No	Parts Name	Qty	Unit	Technical Data	Serial No (Start)	Serial No (End)	R
1	42614893100	CASE,INNER (REAR)	1					
2	42613611200	CASE,INNER	1					
4	36034700000	CYLINDER,JACK	1					
5	91810130240	FASTENER	2					
6	37000171790	PIN	1					
7	80601110250	RING,RITAINING	2		S25			
8	37000169010	PIN	1		30			
9	80601110300	RING,RITAINING	2		S30			
10	36625740001	VALVE,CHECK	1					
11	90171108055	BOLT	4		M8X55			
12	37000138750	PIN	1		18			
13	80136332036	PIN,SPLIT	2		3.2X36			
14	80400160127	JOINT	1					
15	91002801100	O-RING	1		1B P11			
16	36672460000	FILTER (NIPPLE TYPE)	1					
17	42612851010	COVER	1					
18	90186206014	BOLT,FLANGE	2		M6X14			
19	90280200600	NUT,FLANGE	1		M6			
20	37000600700	CLAMP	1		12X3			
21	37000112320	PIN	1					
22	80601110120	RING,RITAINING	2		S12			
23	31201770100	PLATE,SLIDE	8		T=3.0			
41	36043220000	CYLINDER,EXTENSION	1					
42	80400160127	JOINT	2					
43	91002801100	O-RING	3		1B P11			
44	37002420880	HOSE,TWIN	1		L=2430			
45	42613611400	HARNESS	1					
46	91810130250	FASTENER	17					
100	42614893000	CASE ASSY,INNER (REAR,RIGHT)	1					

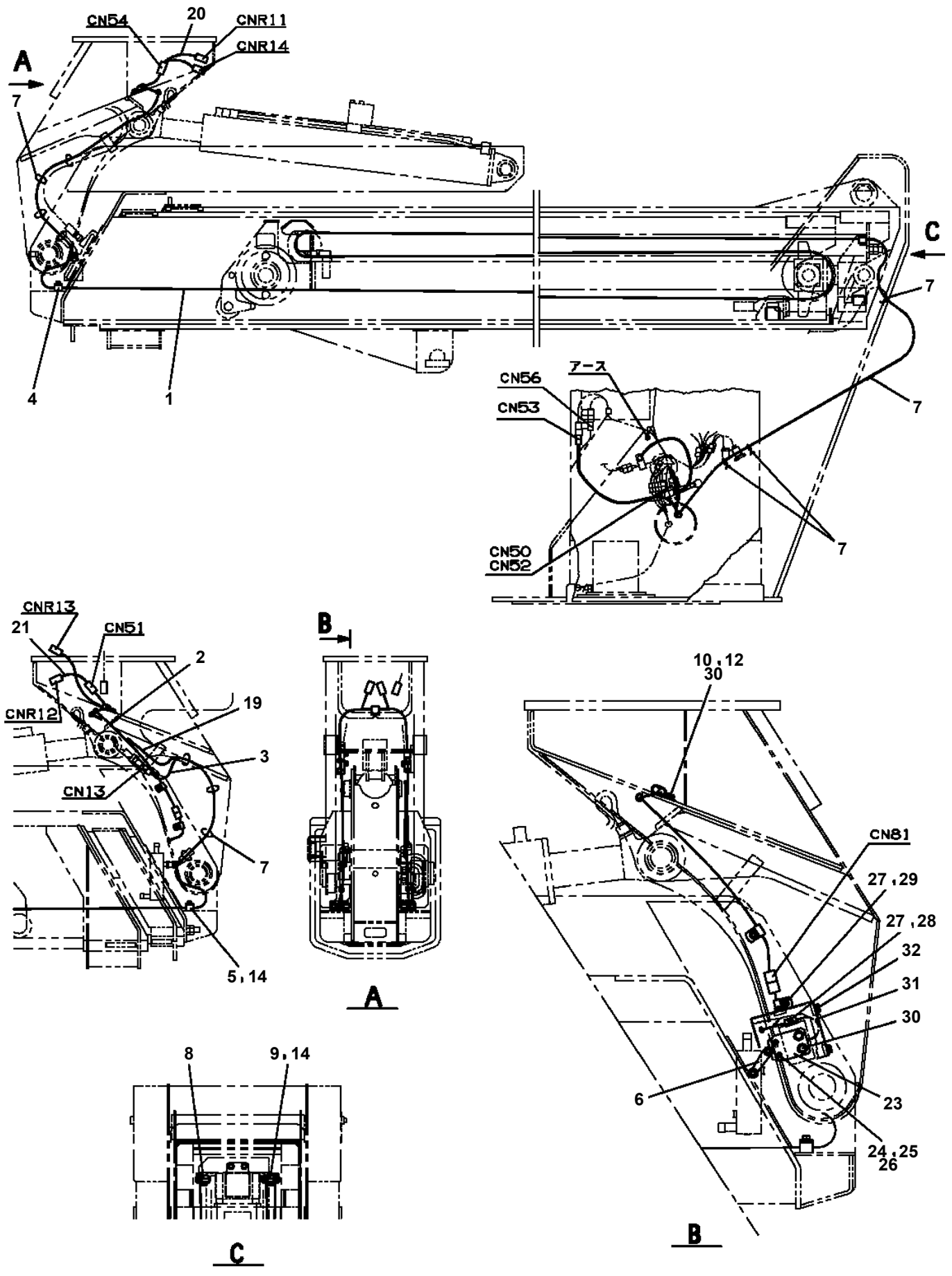
# AT-150S-2 42068232115 UPPER, LOWER, HINO TPG-XZU712M-YQTRC3

Pos No.	Parts No	Parts Name	Qty	Unit	Technical Data	Serial No (Start)	Serial No (End)
1	36027141001	CYLINDER	1				
2	90730008120	SCREW,SET	1		M8X12		
3	36025970100	PISTON	1				
4	91350211000	BEARING,PLAIN (WITH PACKINGX2)	1				
5	91002904500	O-RING	1		1B G45		
6	36027140100	ROD	1				
7	80316030020	PLUG	1		PT1/8		
8	80612110720	RING,RITAINING	1		AR72		
9	80801006540	BEARING,PLAIN	1				
10	91002910500	O-RING	1		1B G105		
11	36024499510	COVER,ROD	1				
12	91694106500	PACKING	1				
13	91410206503	RING,BACKUP	1				
14	91660006500	SEAL,DUST	1				
15	80622000650	RING,RITAINING	1		SP65		
17	36026003000	END,ROD	1				
32	37000401020	BEARING,PLAIN	2				
51	80604110620	RING,RETAINING	2				
52	80530000114	BEARING,SPHERICAL	1				
53	82100000548	CONNECTOR	1				
55	82100001411	TUBE,SPIRAL	1	M	SE-08BK		
61	82100001155	CONNECTOR	1				
75	91002904500	O-RING	1		1B G45		
90	36025219900	PACKING SET	1		65X110		
100	36027148011	CYLINDER ASSY,LEVELING	1				

AT-150S-2 42068232115 UPPER, LOWER, HINO TPG-XZU712M-YQTRC3  
PE1010434-02 CYLINDER,ELEVATING



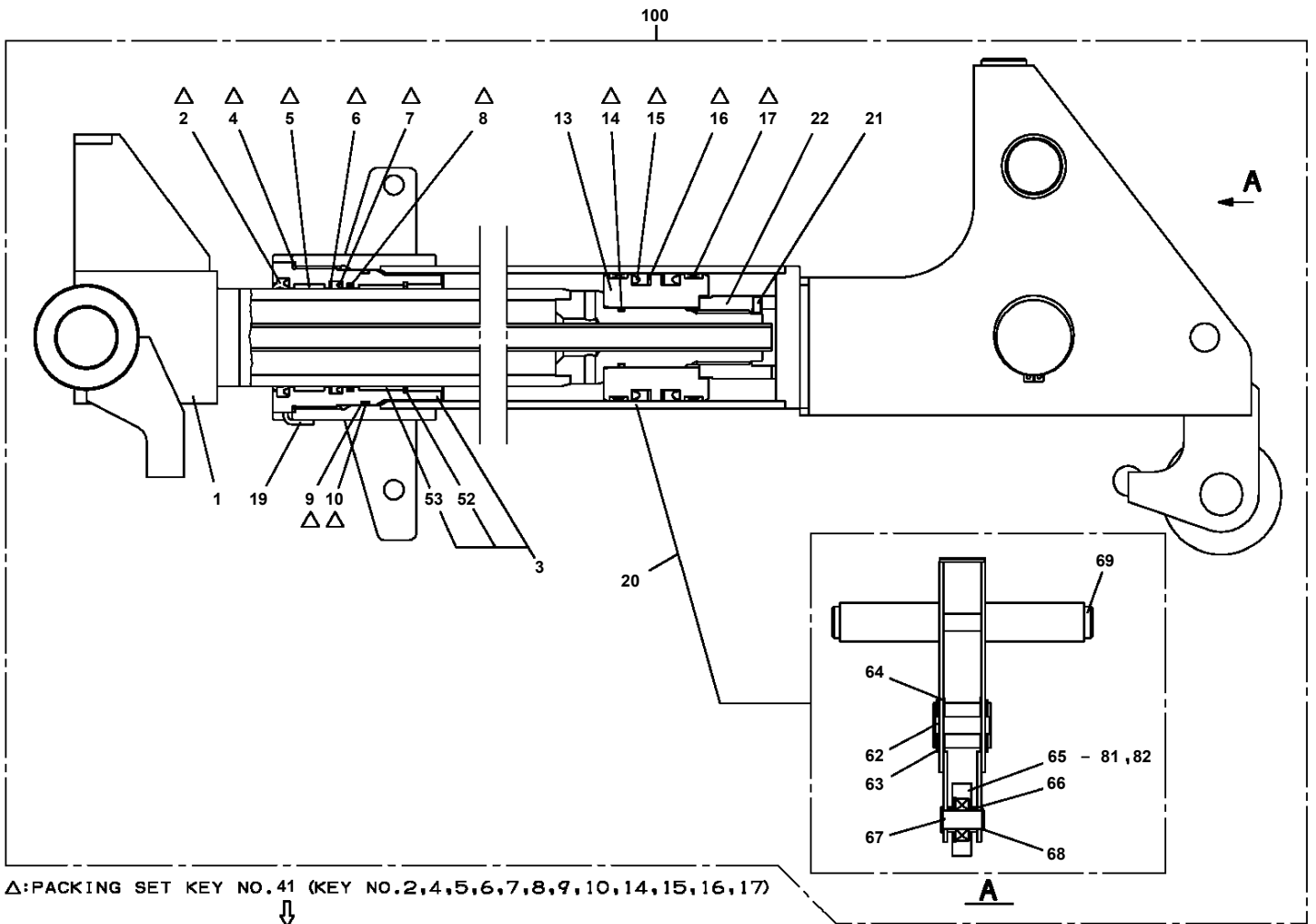
AT-150S-2 42068232115 UPPER, LOWER, HINO TPG-XZU712M-YQTRC3  
 PE5050020-00 ELEC.ASSY,BOOM



# AT-150S-2 42068232115 UPPER, LOWER, HINO TPG-XZU712M-YQTRC3

Pos No.	Parts No	Parts Name	Qty	Unit	Technical Data	Serial No (Start)	Serial No (End)
2	37001501340	BOLT	30		M16X85		
3	90303501601	WASHER,PLAIN	30		16		
4	42622547000	COVER ASSY	1				
5	90186208010	BOLT,FLANGE	13		M8X10		
6	80175305010	SCREW,MACHINE	6		M5X10		
7	82400000393	INSULATOR	2				
8	80172303014	SCREW,MACHINE	2		M3X14		
9	90303070301	WASHER,PLAIN	2		3		
10	42623380400	COVER	3				
11	42623380101	COVER	3				
12	42623380201	COVER	1				
13	42623380300	COVER	1				
14	90101208010	BOLT	16		M8X10		
15	90302040801	WASHER,SPRING	16		8		
16	42627271000	FRAME ASSY	1				
31	42622549510	COVER ASSY	1				
32	42622547200	COVER	1				
33	82400000357	CATCH	1				
34	82400000314	HINGE	2				
35	80192485014	SCREW,MACHINE (WITH WASHER)	4		M5X14		
36	90201200500	NUT	4		M5		
53	82400000205	GROMMET	3				
64	82400000311	GROMMET	1		L=1000		

**AT-150S-2 42068232115 UPPER, LOWER, HINO TPG-XZU712M-YQTRC3  
PG1050531-01 CYLINDER,TELESCOPING**



Δ:PACKING SET KEY NO.41 (KEY NO.2,4,5,6,7,8,9,10,14,15,16,17)

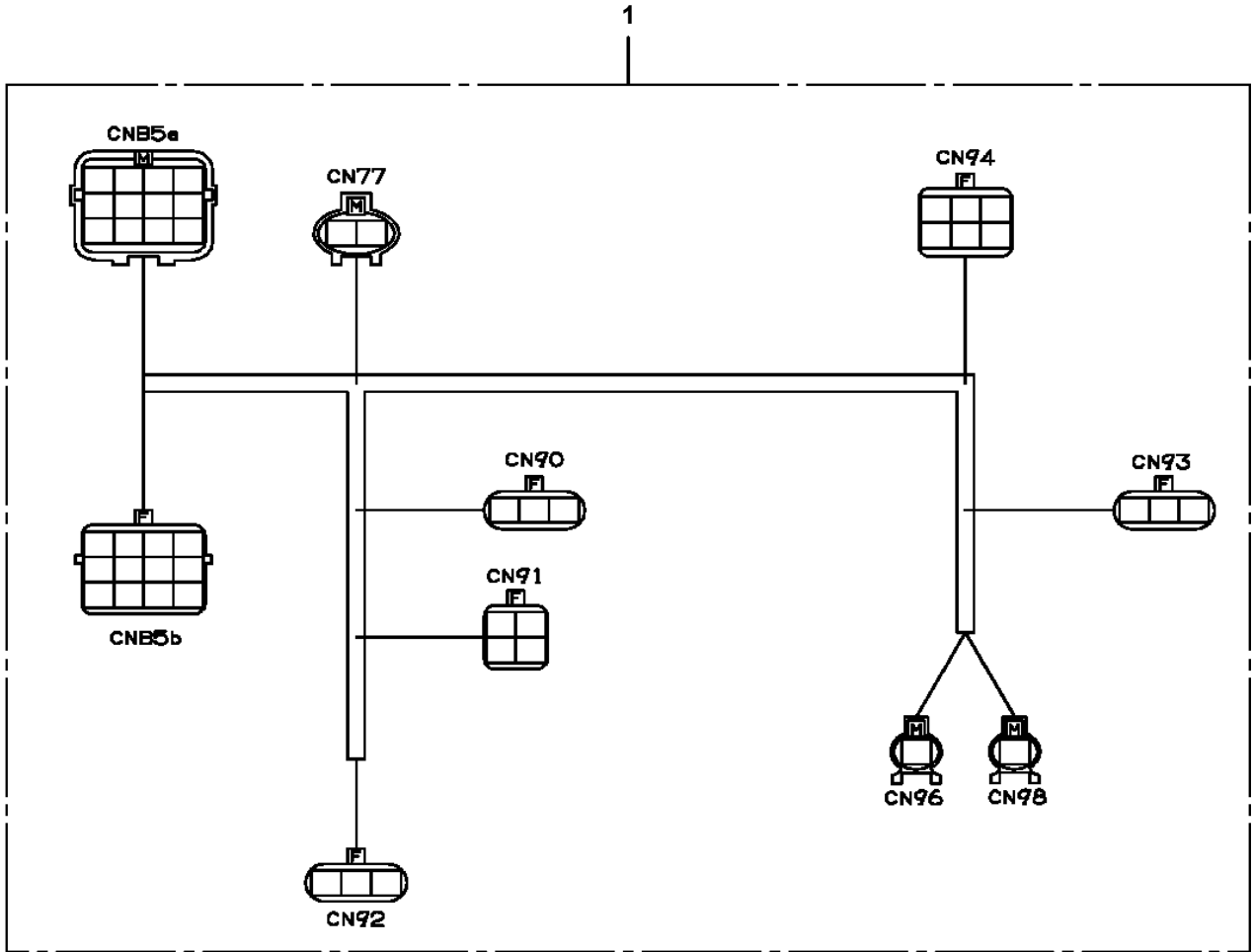


Δ:PACKING SET KEY NO.42 (KEY NO.2,4,5,6,7,8,9,10,14,15,16,17)

# AT-150S-2 42068232115 UPPER, LOWER, HINO TPG-XZU712M-YQTRC3

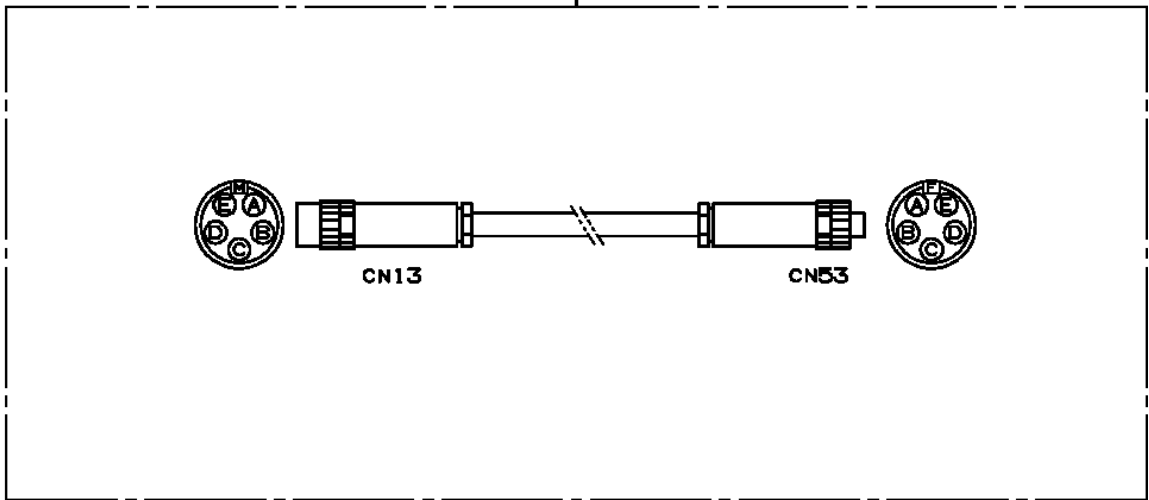
Pos No.	Parts No	Parts Name	Qty	Unit	Technical Data	Serial No (Start)	Serial No (End)	Remarks	Page
100	42509621000	GENERATOR ASSY	1						

AT-150S-2 42068232115 UPPER, LOWER, HINO TPG-XZU712M-YQTRC3  
PH5030421-00 HARNESS

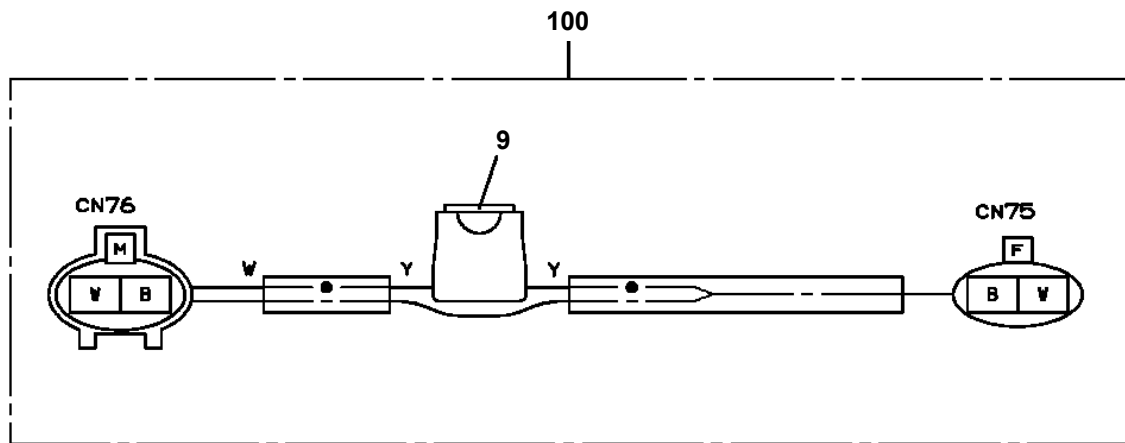


AT-150S-2 42068232115 UPPER, LOWER, HINO TPG-XZU712M-YQTRC3  
PH5030730-00 HARNESS (L=15200)

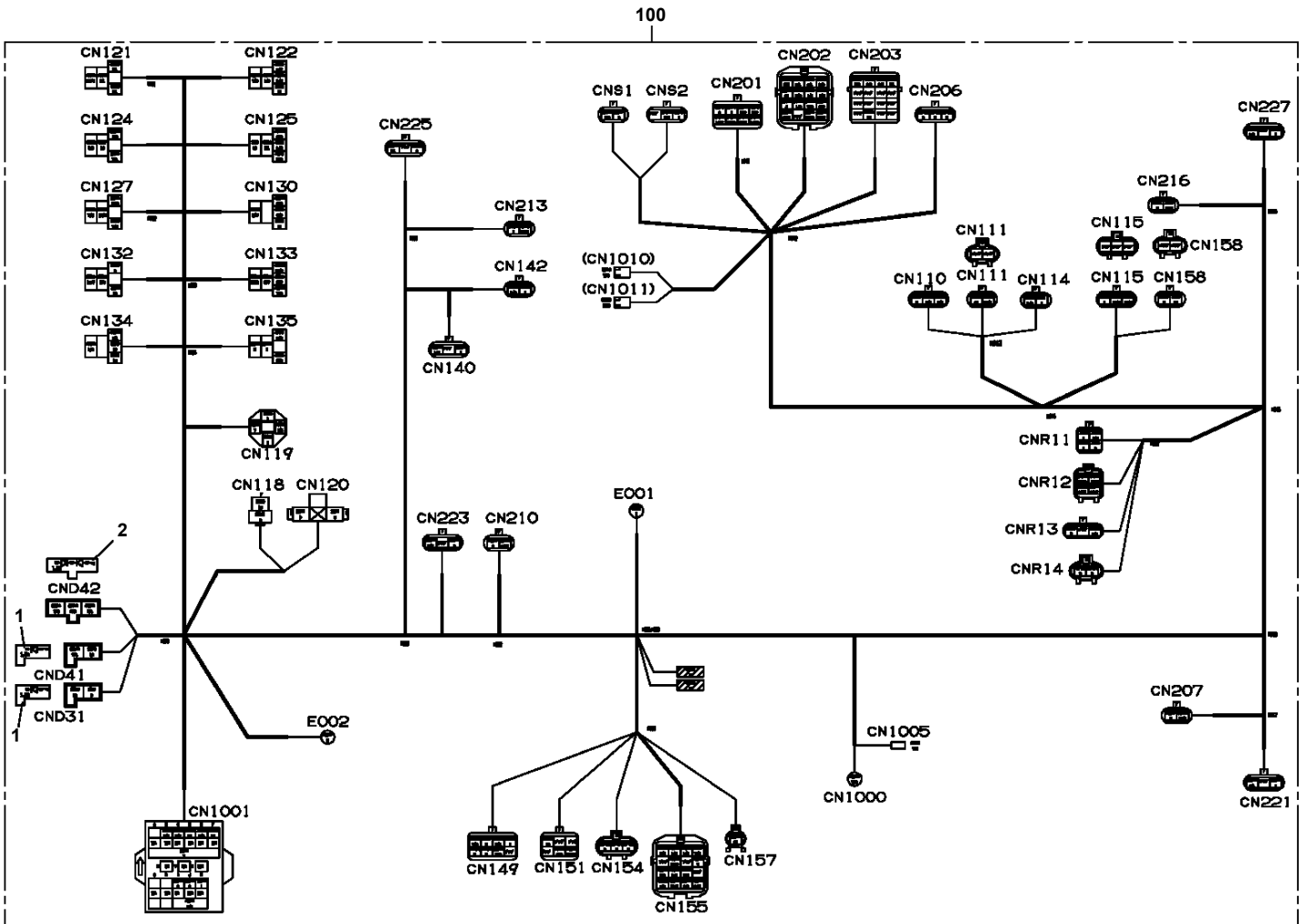
10



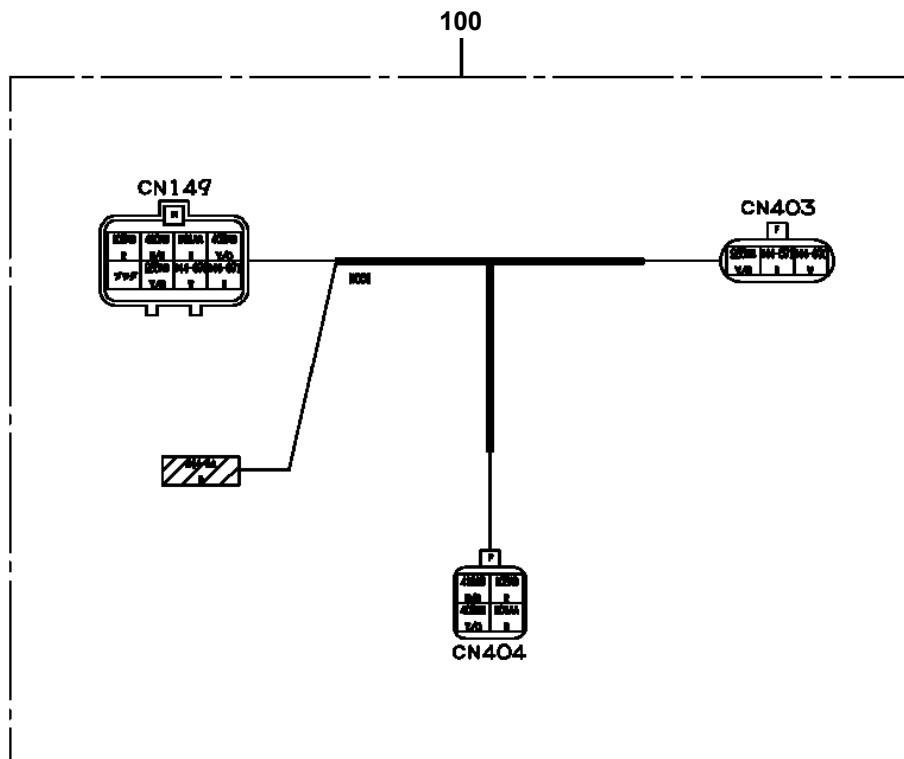
AT-150S-2 42068232115 UPPER, LOWER, HINO TPG-XZU712M-YQTRC3  
PH5032700-00 HARNESS



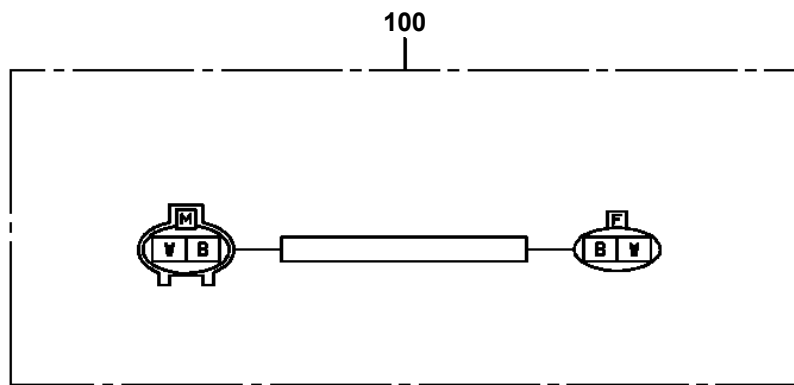
**AT-150S-2 42068232115 UPPER, LOWER, HINO TPG-XZU712M-YQTRC3  
PH5033861-00 HARNESS (FRAME)**



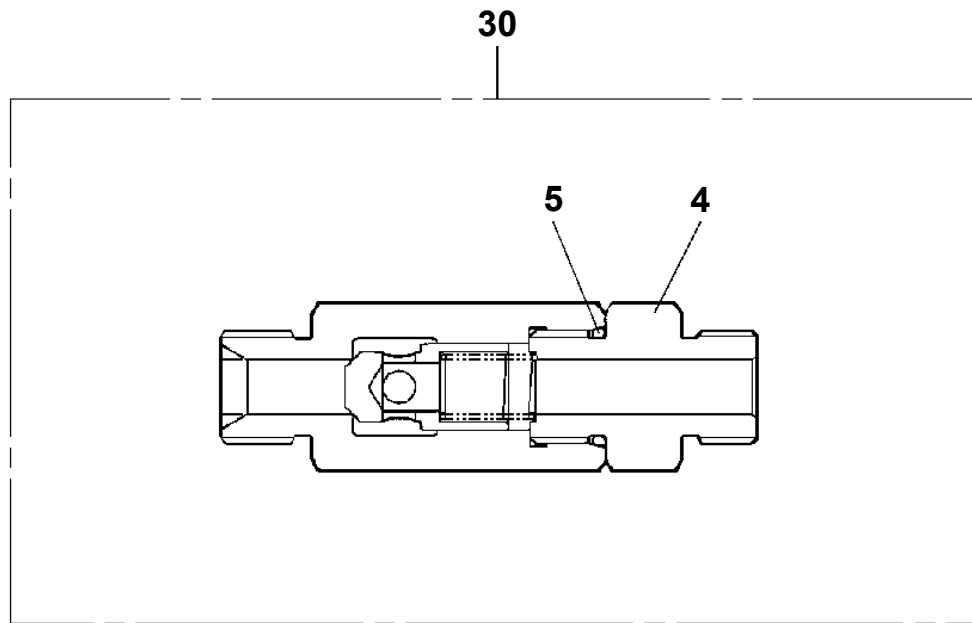
AT-150S-2 42068232115 UPPER, LOWER, HINO TPG-XZU712M-YQTRC3  
PH5033866-00 HARNESS



**AT-150S-2 42068232115 UPPER, LOWER, HINO TPG-XZU712M-YQTRC3  
PH5034230-00 HARNESS**

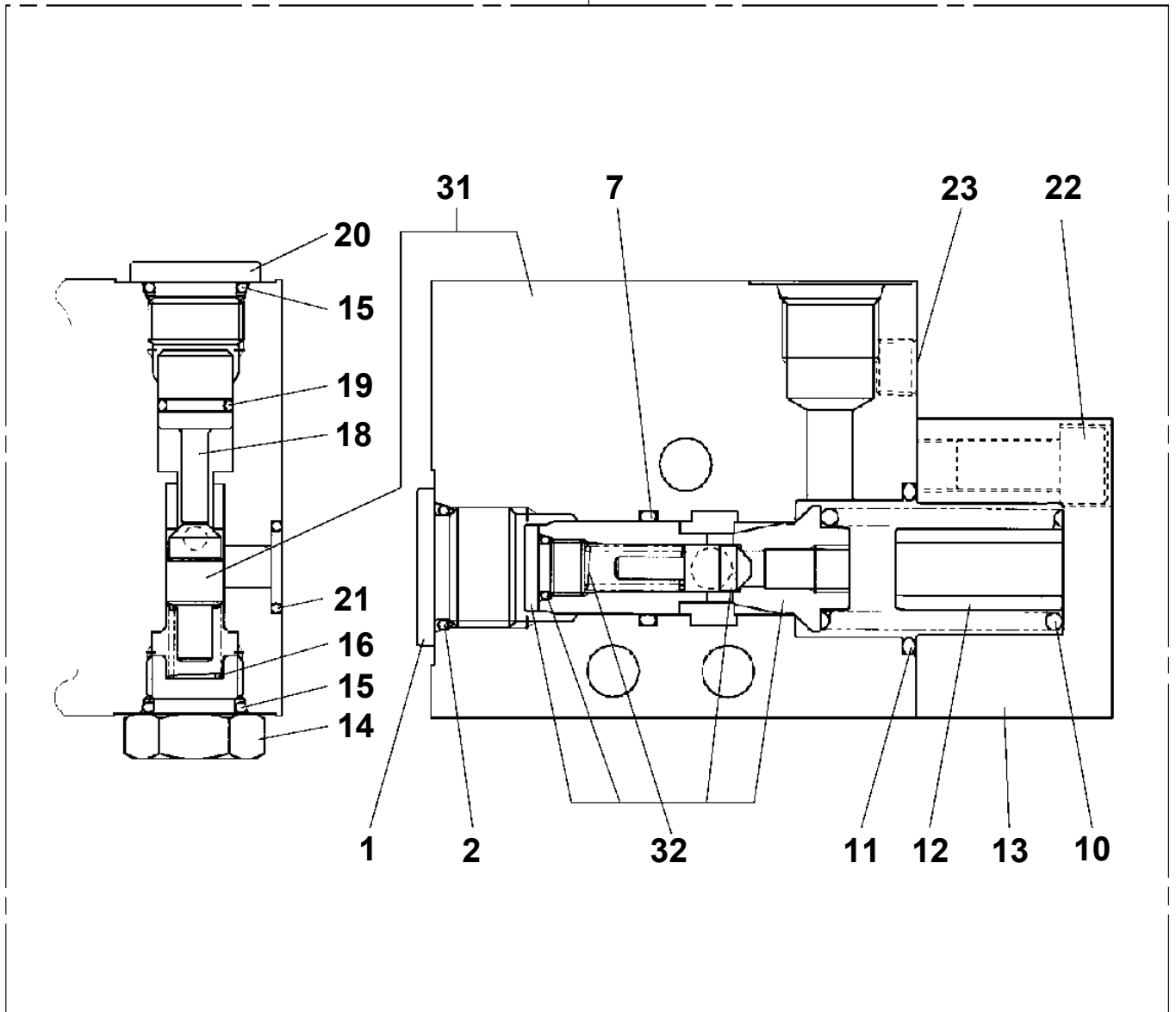


**AT-150S-2 42068232115 UPPER, LOWER, HINO TPG-XZU712M-YQTRC3  
PI1140158-00 VALVE,CHECK**



AT-150S-2 42068232115 UPPER, LOWER, HINO TPG-XZU712M-YQTRC3  
PI1250137-00 VALVE,COUNTERBALANCE

50



CLICK HERE TO **DOWNLOAD** THE COMPLETE MANUAL

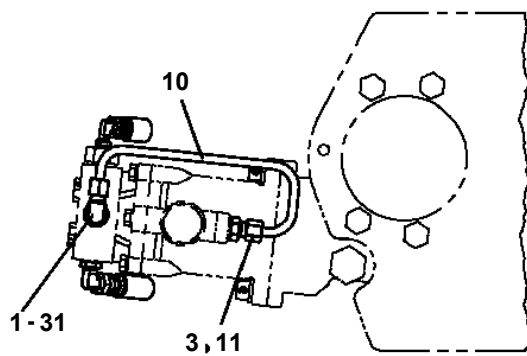
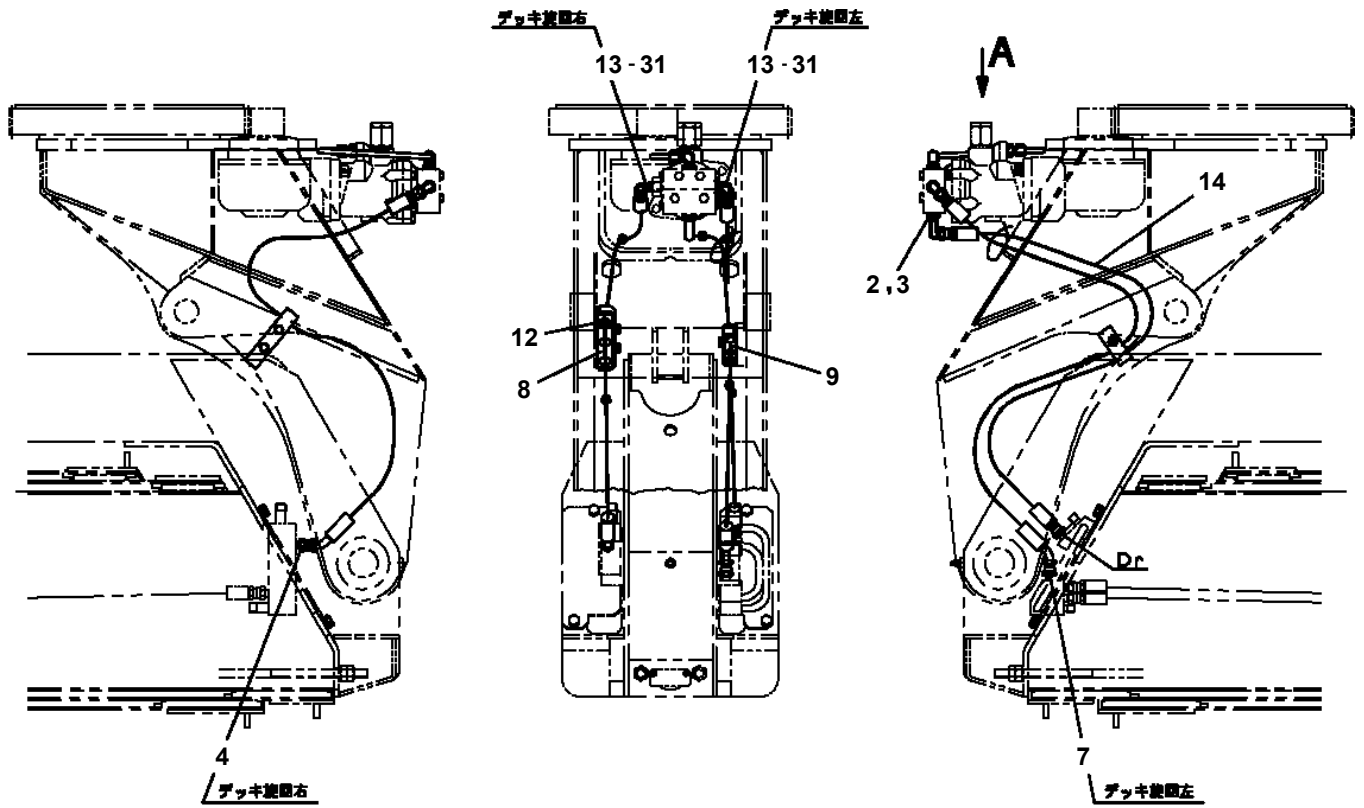
- Thank you very much for reading the preview of the manual.
- You can download the complete manual from: [www.heydownloads.com](http://www.heydownloads.com) by clicking the link below



- Please note: If there is no response to CLICKING the link, please download this PDF first and then click on it.

CLICK HERE TO **DOWNLOAD** THE COMPLETE MANUAL

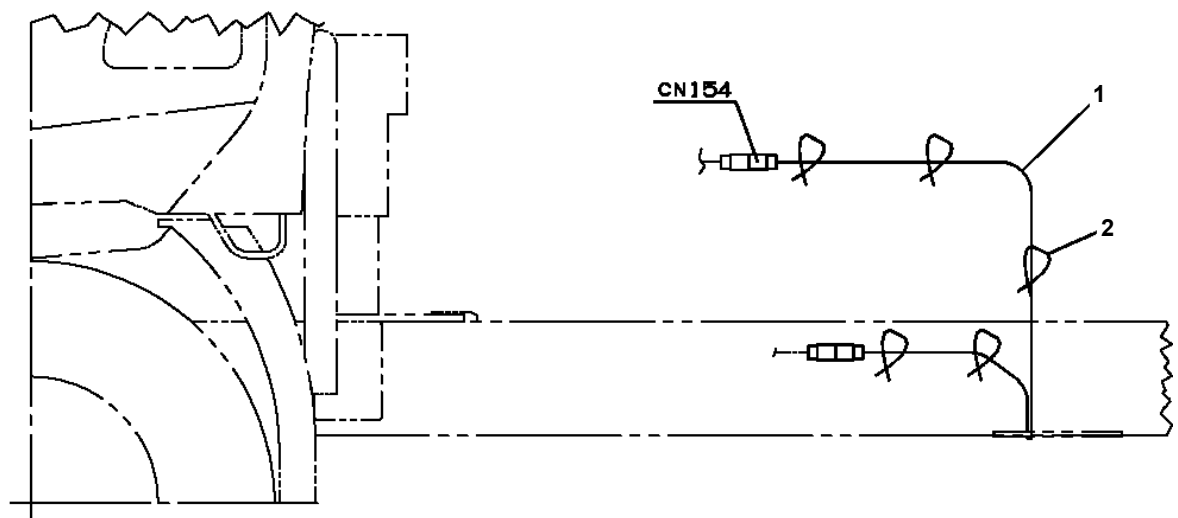
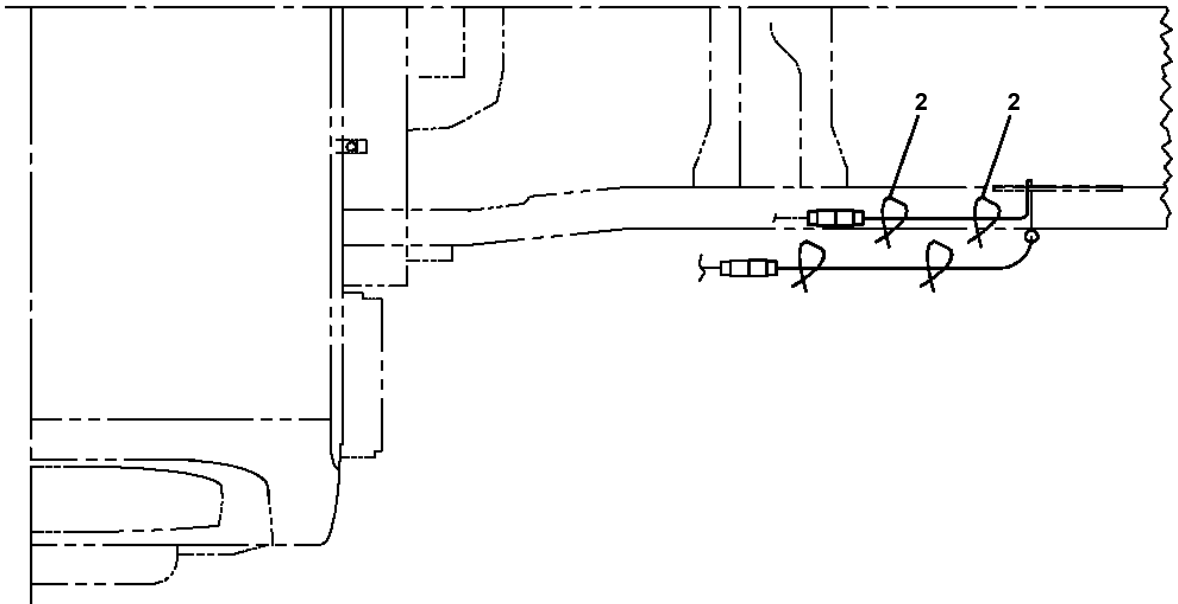
AT-150S-2 42068232115 UPPER, LOWER, HINO TPG-XZU712M-YQTRC3  
PJ3200086-00 PIPING, PLATFORM



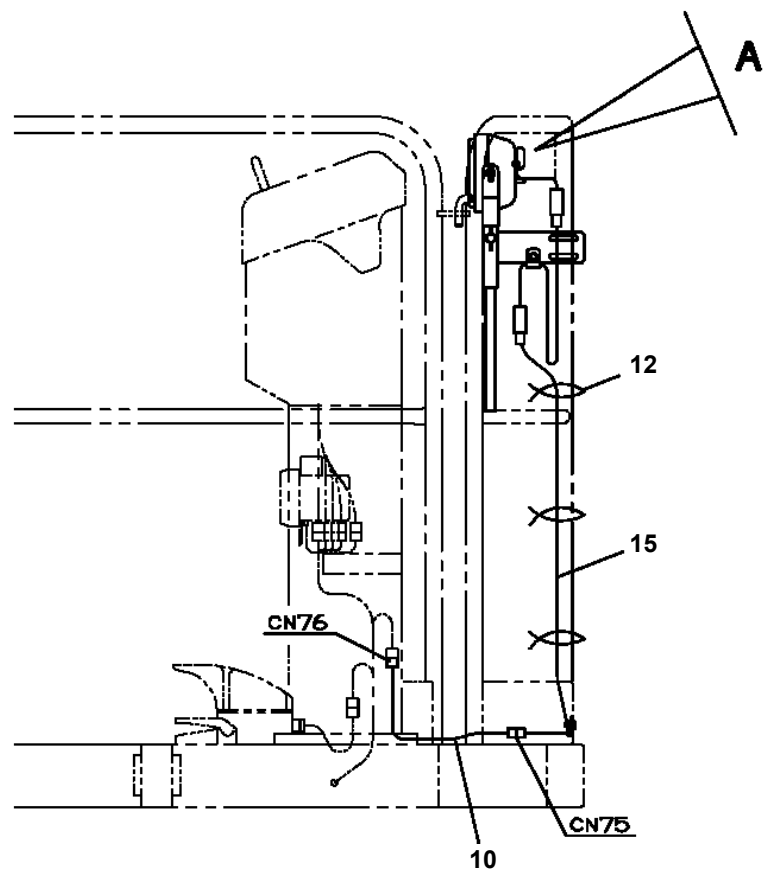
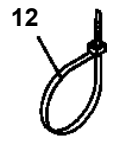
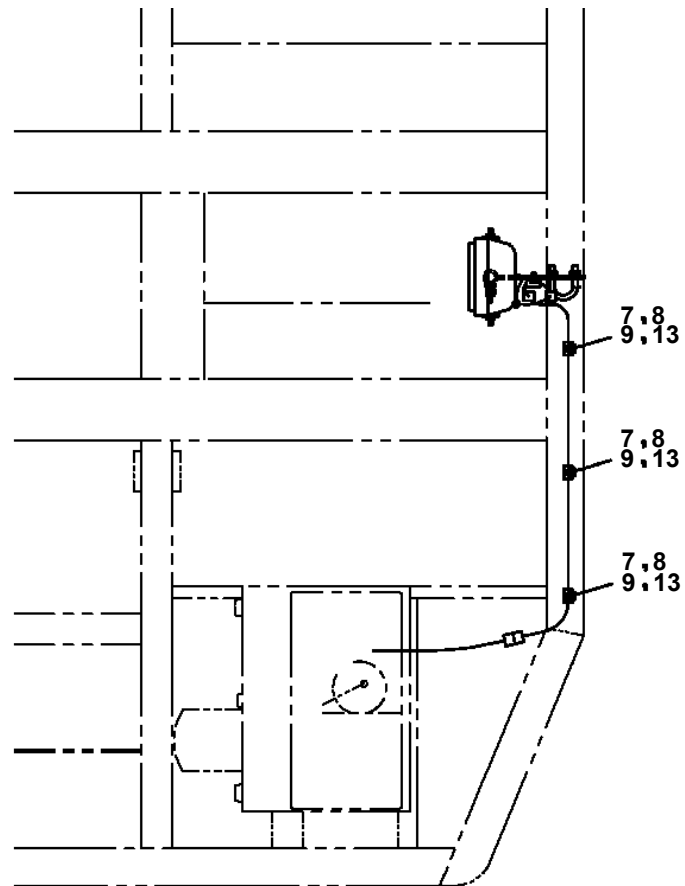
A

AT-150S-2 42068232115 UPPER, LOWER, HINO TPG-XZU712M-YQTRC3  
PL1031144-00 OPE.ASSY,ACCELERATOR

FRONT ←



AT-150S-2 42068232115 UPPER, LOWER, HINO TPG-XZU712M-YQTRC3  
PL5020135-02 LAMP ASSY (WORK LAMP:LED)



# AT-150S-2 42068232115 UPPER, LOWER, HINO TPG-XZU712M-YQTRC3

Pos No.	Parts No	Parts Name	Qty	Unit	Technical Data	Serial No (Start)	Serial No (End)	Re
1	42505221200	GUARD	4					
	42505221100	GUARD (STEEL CAST)	4					
2	42736070100	SWITCH ASSY (WITH HARNESS)	1					
3	42739790010	PLATE,NAME	1					
4	80181306014	SCREW,MACHINE	2		M6X14			
5	82199514013	CAP	1					
6	90280200600	NUT,FLANGE	8		M6			
7	90302040601	WASHER,SPRING	2		6			
8	42739040100	SUPPORT	2					
9	82100001802	TUBE,CORRUGATE	1	M	10			
10	82199444329	LAMP (YELLOW)	4		24V 12W			
11	90186206030	BOLT,FLANGE	8		M6X30			
12	82199504017	NUT	1		AT-401N			
13	90303070601	WASHER,PLAIN	2		6			
14	91810130240	FASTENER	1					
15	82100002008	CLAMP	2		WR12			
51	82166600010	BULB,LAMP	4		24V/12W			

# AT-150S-2 42068232115 UPPER, LOWER, HINO TPG-XZU712M-YQTRC3

Pos No.	Parts No	Parts Name	Qty	Unit	Technical Data	Serial No (Start)	Serial No (End)	Remark
1	31783550200	HOSE	1		L=1000			
2	31783550100	HOSE	1		L=1000			
3	91810130240	FASTENER	10					
4	82100002042	CLAMP	2		WE20			
5	90101208020	BOLT	1		M8X20			
6	90302040801	WASHER,SPRING	2		8			
7	42787090200	HARNESS	1					
8	82114102020	CONNECTOR	1					
9	82121102020	HOLDER	2					
10	82111101510	TERMINAL	2					
11	82121101050	PLUG (BLACK/AV0.3 TO 0.5)	4					
12	82114101020	CONNECTOR (2P,MALE)	1					
13	82111101010	TERMINAL	2					
14	42787961100	SUPPORT	1					
15	82100000975	CLIP	3					
16	82100001411	TUBE,SPIRAL	1	M	SE-08BK			
17	90201200800	NUT	1		M8			
18	90101210025	BOLT	2		M10X25			
19	90201201000	NUT	2		M10			
20	90302041001	WASHER,SPRING	2		10			
21	91803600220	CLIP	2		D=16-22			
22	31648580010	JOINT	1					
23	82100001805	TUBE,CORRUGATE	1	M	19			

# AT-150S-2 42068232115 UPPER, LOWER, HINO TPG-XZU712M-YQTRC3

Pos No.	Parts No	Parts Name	Qty	Unit	Technical Data	Serial No (Start)	Serial No (End)	Remarks
2	91850400601	CLAMP	6					
3	90302040601	WASHER,SPRING	3		6			
4	42354640010	CONNECTOR	1					
5	31657170700	SPEAKER (ASSY ONLY)	1					
6	90101210018	BOLT	1		M10X18			
7	90302041001	WASHER,SPRING	1		10			
8	42350591000	DETECTOR ASSY	1					
9	90101206016	BOLT	3		M6X16			
10	91810132530	FASTENER	20					
11	42350250070	PLUG (2 POLES,MALE)	3					
12	42350250150	PLUG (6 POLES,MALE)	1					
13	90201200600	NUT	1		M6			
14	82100002010	CLAMP	1		WR15			
16	82100001807	TUBE,CORRUGATE	1	M	28			
21	42354640101	HARNESS	1					

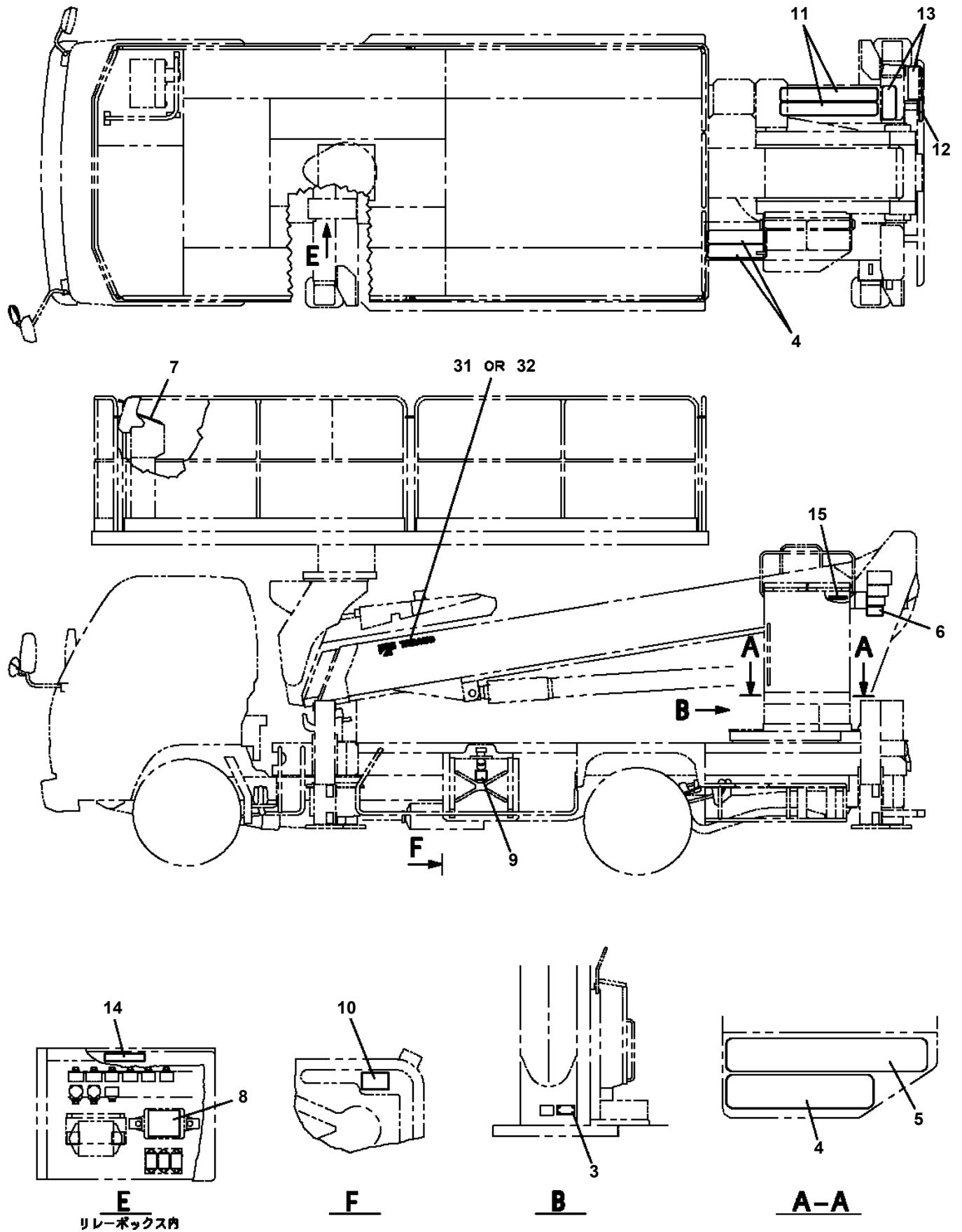
# AT-150S-2 42068232115 UPPER, LOWER, HINO TPG-XZU712M-YQTRC3

Pos No.	Parts No	Parts Name	Qty	Unit	Technical Data	Serial No (Start)	Serial No (End)	Remarks	Pages
1	42500080100	BOX	1						
2	42500080200	PANEL	1						
3	42500080300	HARNESS	1						000081
4	90101208016	BOLT	4		M8X16				
5	90302040801	WASHER,SPRING	4		8				
6	90201200800	NUT	2		M8				
7	82400000202	GROMMET	1						

**AT-150S-2 42068232115 UPPER, LOWER, HINO TPG-XZU712M-YQTRC3**

Pos No.	Parts No	Parts Name	Qty	Unit	Technical Data	Serial No (Start)	Serial No (End)	Rema
5	36160017550	HANDLE	1					
6	36160655020	SHAFT	1					
7	36160017560	WASHER,PLAIN	1					
10	36160017590	PLATE (CONTACT)	1					
50	36160370000	REEL,CORD (FOR EARTHING)	1					

**AT-150S-2 42068232115 UPPER, LOWER, HINO TPG-XZU712M-YQTRC3  
PN5012026-00 NAME PLATE ASSY (TADANO, TANK, NON-SLIP, FUSE)**



# AT-150S-2 42068232115 UPPER, LOWER, HINO TPG-XZU712M-YQTRC3

Pos No.	Parts No	Parts Name	Qty	Unit	Technical Data	Serial No (Start)	Serial No (End)	Remarks	Pages
1	42394350100	PLATE,CAUTION	1						

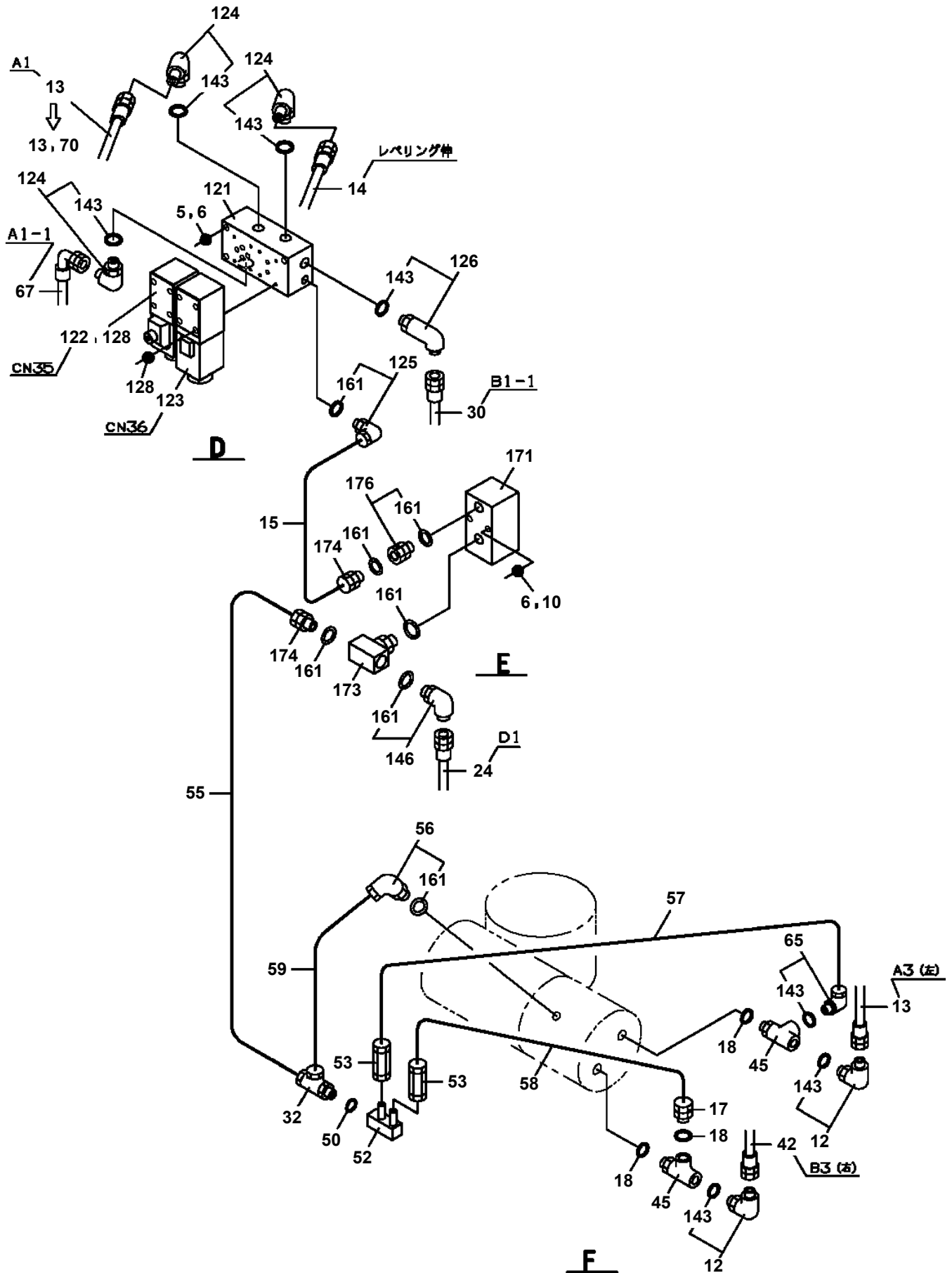
# AT-150S-2 42068232115 UPPER, LOWER, HINO TPG-XZU712M-YQTRC3

Pos No.	Parts No	Parts Name	Qty	Unit	Technical Data	Serial No (Start)	Serial No (End)
1	42354593100	SWITCH ASSY (WITH HARNESS,5 SW)	1				
2	42354541200	SWITCH ASSY (WITH HARNESS,1 SW)	1				
3	42356171300	SWITCH ASSY	1				
4	42356171100	PLATE,NAME	1				
5	42358311100	PANEL	1				
6	42973180100	LAMP ASSY	1				
7	42354593300	SWITCH ASSY (WITH HARNESS,1 SW)	1				
8	44472000010	CAP	1				
9	44472000020	PLATE	2				
10	42353950100	SWITCH ASSY (WITH HARNESS)	1				
11	80172803014	SCREW,MACHINE	4		M3X14		
12	90201200300	NUT	4		M3		
13	90302040301	WASHER,SPRING	4		3		
14	82199514013	CAP	8				
15	82199504017	NUT	8		AT-401N		
16	82121102020	HOLDER	1				
17	82114101020	CONNECTOR (2P,MALE)	1				
45	82100002307	COVER (CONTACT BLOCK PROTECTION/BLACK)	1				
100	42358311000	PANEL ASSY	1				

# AT-150S-2 42068232115 UPPER, LOWER, HINO TPG-XZU712M-YQTRC3

Pos No.	Parts No	Parts Name	Qty	Unit	Technical Data	Serial No (Start)	Serial No (End)	Remarks	P
1	37004100030	PUMP,GREASE (240CC)	1						

**AT-150S-2 42068232115 UPPER, LOWER, HINO TPG-XZU712M-YQTRC3  
PP6330025-01 PIPING ASSY, SWING FRAME**



# AT-150S-2 42068232115 UPPER, LOWER, HINO TPG-XZU712M-YQTRC3

Pos No.	Parts No	Parts Name	Qty	Unit	Technical Data	Serial No (Start)	Serial No (End)	Remarks	Pa
1	44550527580	SWITCH,MICRO	1						
2	44550527570	COVER	1						
3	44350247560	SPRING (FOR PEDAL)	1						
4	82109901050	PEDAL	1						
5	82109905010	PACKING	1						
6	44350247580	PLATE (WITH SCREW)	1						
100	42351292200	SWITCH ASSY	1						

# AT-150S-2 42068232115 UPPER, LOWER, HINO TPG-XZU712M-YQTRC3

Pos No.	Parts No	Parts Name	Qty	Unit	Technical Data	Serial No (Start)	Serial No (End)	Remarks	Pages
2	42461050200	STOPPER,TIRE	1						

# AT-150S-2 42068232115 UPPER, LOWER, HINO TPG-XZU712M-YQTRC3

Pos No.	Parts No	Parts Name	Qty	Unit	Technical Data	Serial No (Start)	Serial No (End)	Remarks	Pages
1	42890034000	BLOCK,WOOD	1		W=350,H=80				

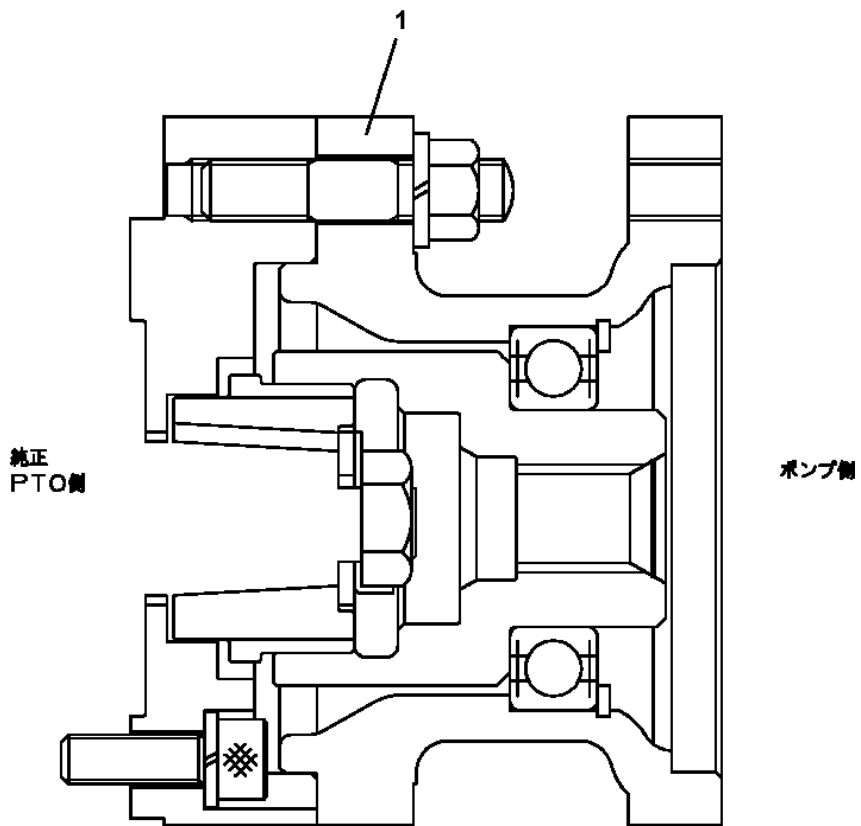
# AT-150S-2 42068232115 UPPER, LOWER, HINO TPG-XZU712M-YQTRC3

Pos No.	Parts No	Parts Name	Qty	Unit	Technical Data	Serial No (Start)	Serial No (End)	Remarks
1	(*****)	MOUNT ASSY,DECK	1					
2	(*****)	MOUNT ASSY,SIDE GUARD	1					
3	(*****)	BUMPER IMSTALLATION	1					

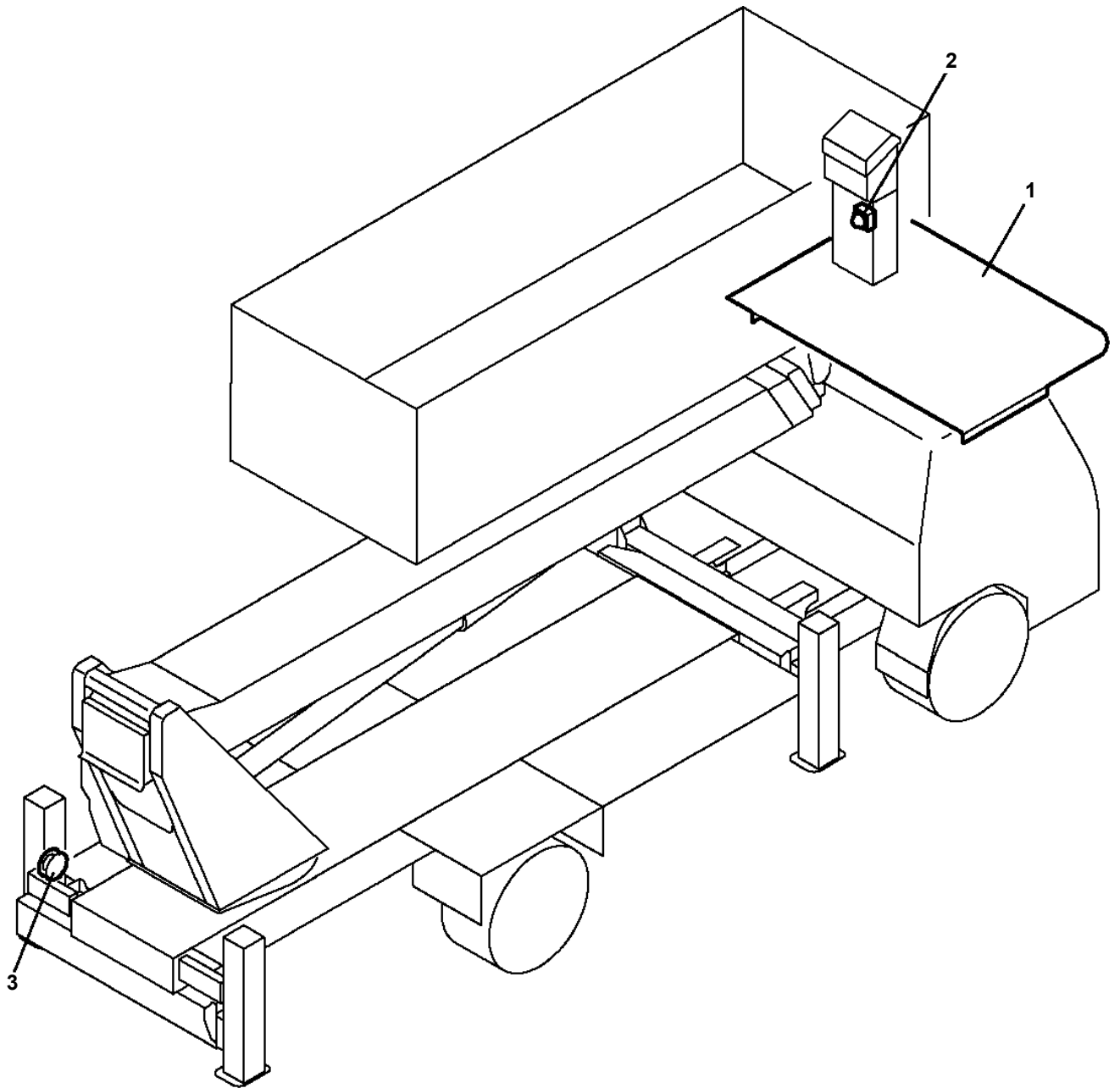
# AT-150S-2 42068232115 UPPER, LOWER, HINO TPG-XZU712M-YQTRC3

Pos No.	Parts No	Parts Name	Qty	Unit	Technical Data	Serial No (Start)	Serial No (End)	Rem
1	(*****)	POWER SOURCE (UPPER/100V)	1					
2	(*****)	MOUNT ASSY,GENERATOR	1					
3	(*****)	MODIFICATION ASSY	1					
4	(*****)	MODIFICATION ASSY (AMC DATA)	1					

AT-150S-2 42068232115 UPPER, LOWER, HINO TPG-XZU712M-YQTRC3  
PX5580007-00 MOUNT ASSY,PTO



**AT-150S-2 42068232115 UPPER, LOWER, HINO TPG-XZU712M-YQTRC3  
PY1001503-01 OPTIONS**



適用製造番号によっては取り付けがないものもあります。

MACHINES OF SOME SERIAL NO. ARE NOT EQUIPPED WITH THESE PARTS.

# AT-150S-2 42068232115 UPPER, LOWER, HINO TPG-XZU712M-YQTRC3

Pos No.	Parts No	Parts Name	Qty	Unit	Technical Data	Serial No (Start)	Serial No (End)	Remarks	Pages
10	37002455450	HOSE	1		L=337				

CLICK HERE TO **DOWNLOAD** THE COMPLETE MANUAL

- Thank you very much for reading the preview of the manual.
- You can download the complete manual from: [www.heydownloads.com](http://www.heydownloads.com) by clicking the link below



- Please note: If there is no response to CLICKING the link, please download this PDF first and then click on it.

CLICK HERE TO **DOWNLOAD** THE COMPLETE MANUAL