

AT-150-1 42018110400 LOWER,NISSAN CMF87EHHA
PX1000255-02 MOUNTING PARTS
ASSEMBLY

CLICK HERE TO **DOWNLOAD** THE COMPLETE MANUAL

- Thank you very much for reading the preview of the manual.
- You can download the complete manual from: www.heydownloads.com by clicking the link below



- Please note: If there is no response to CLICKING the link, please download this PDF first and then click on it.

CLICK HERE TO **DOWNLOAD** THE COMPLETE MANUAL

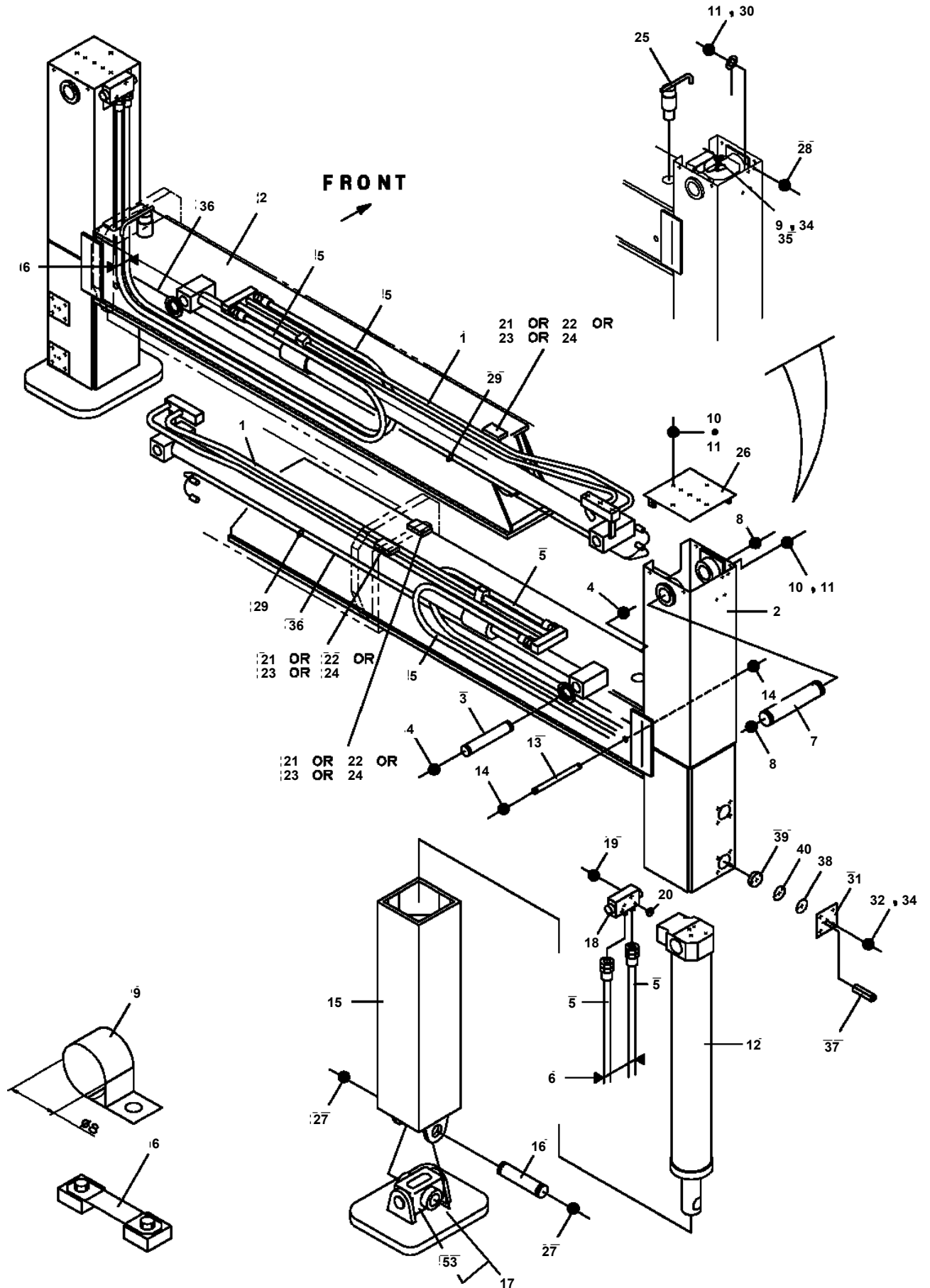
AT-150-1 42018110400 LOWER,NISSAN CMF87EHHA

Pos No.	Parts No	Parts Name	Qty	Unit	Technical Data	Serial No (Start)	Serial No (End)	Remarks	Page
1	90101508025	BOLT	8		M8X25				
2	90302040801	WASHER,SPRING	8		8				
3	42891591000	SHAFT,PROPELLER	1						
4	32700090010	COUPLING	1						
11	36300110010	COUPLING	1						
12	42891591010	PIPE	1						
13	36300110020	COUPLING	1						
21	36300115010	JOINT KIT	2						
34	82456101000	NIPPLE,GREASE	1		A-PT1/8				

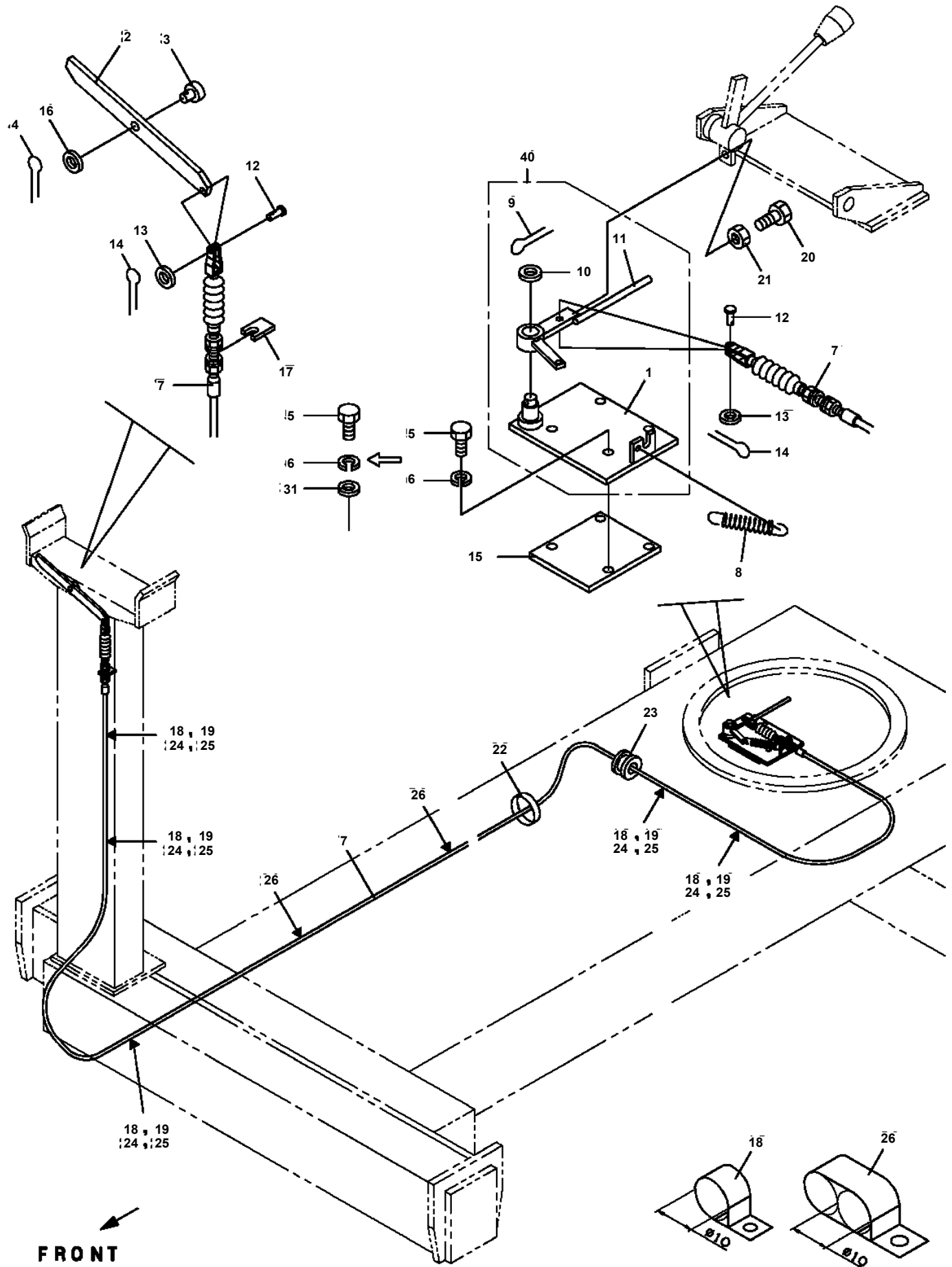
AT-150-1 42018110400 LOWER,NISSAN CMF87EHHA

Pos No.	Parts No	Parts Name	Qty	Unit	Technical Data	Serial No (Start)	Serial No (End)	Rema
1	36102131000	TANK	1				595318	
	36102131001	TANK	1			595319		
3	53156005000	BREATHER ASSY (OB-10T)	1					
4	36102120010	CAP	1					
5	91001104800	O-RING	1		1A P48			
6	37002512230	HOSE	1		L=140			
7	91803880040	CLIP	2		D=10-12.2			
8	80316080100	PLUG	1					
32	53156005010	ELEMENT (OB-10T & OB-10B)	1					
34	53156005020	PACKING SET	1					
100	36102130000	TANK,OIL	1					

**AT-150-1 42018110400 LOWER,NISSAN CMF87EHHA
PC1010699-00 OUTRIGGER (REAR)**



**AT-150-1 42018110400 LOWER,NISSAN CMF87EHHA
PC1160019-01 RETRACTION CONTROL SYSTEM,JACK (BOOM)**



AT-150-1 42018110400 LOWER,NISSAN CMF87EHHA

Pos No.	Parts No	Parts Name	Qty	Unit	Technical Data	Serial No (Start)	Serial No (End)	Remarks
1	42950467510	CASE	1					
2	42950467520	PANEL	1					
3	42950467530	BOARD,CIRCUIT	1					
4	42650567530	BUSH	1					
5	42650467540	SPACER	4					
6	42650467550	CABLE	1		0.75SQX7			
7	82100001073	CONNECTOR	1					
8	82100000968	TERMINAL	5					
9	82100000969	PLUG	1					
10	82100000192	TERMINAL	1					
11	42730217510	SLEEVE	1					
12	82100000398	CONNECTOR	1					
30	42730211000	INDICATOR,OUTRIGGER	1					

CLICK HERE TO **DOWNLOAD** THE COMPLETE MANUAL

- Thank you very much for reading the preview of the manual.
- You can download the complete manual from: www.heydownloads.com by clicking the link below



- Please note: If there is no response to CLICKING the link, please download this PDF first and then click on it.

CLICK HERE TO **DOWNLOAD** THE COMPLETE MANUAL

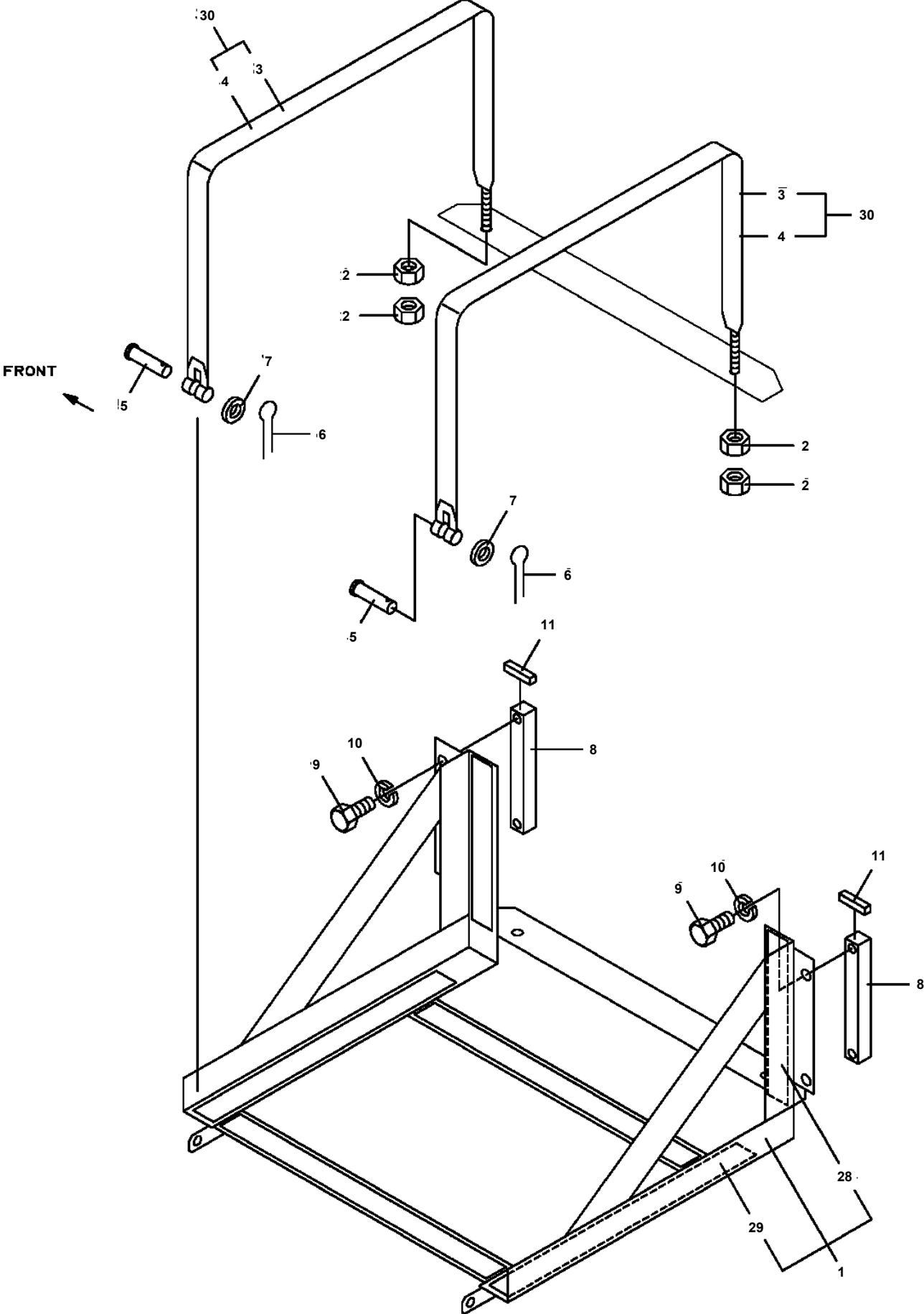
AT-150-1 42018110400 LOWER,NISSAN CMF87EHHA

Pos No.	Parts No	Parts Name	Qty	Unit	Technical Data	Serial No (Start)	Serial No (End)	Remarks
2	91002801400	O-RING	2		1B P14			
	91002801400	O-RING	2		1B P14			
6	91002800700	O-RING	1		1B P7			
	91002800700	O-RING	1		1B P7			
9	91002801000	O-RING	2		1B P10			
	91002801000	O-RING	2		1B P10			
10	90131510040	BOLT,HEXAGON SOCKET	2		M10X40			
	90131510040	BOLT,HEXAGON SOCKET	2		M10X40			
11	36620038010	VALVE,PILOT CHECK	1					
	36620038010	VALVE,PILOT CHECK	1					

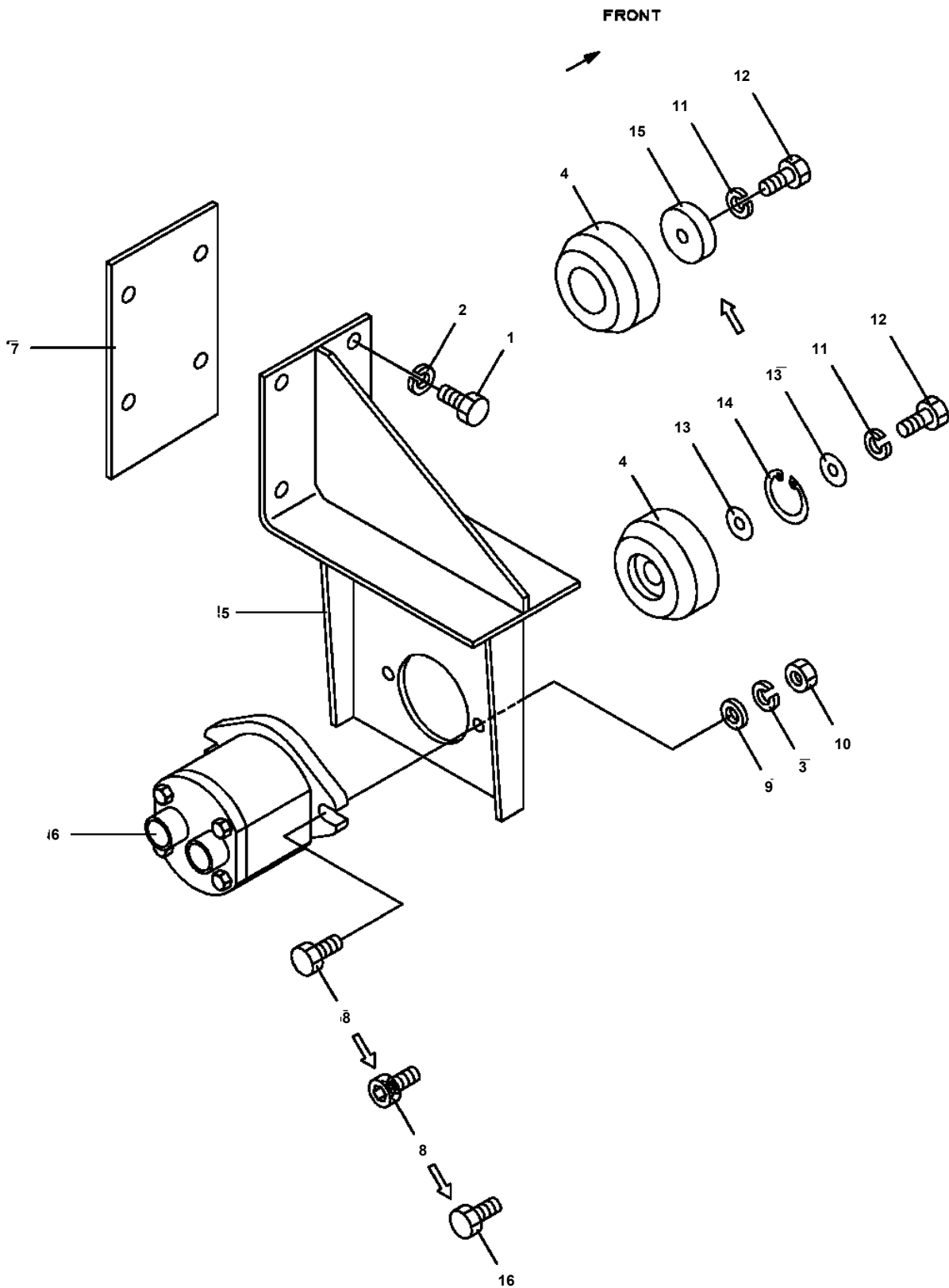
AT-150-1 42018110400 LOWER,NISSAN CMF87EHHA

Pos No.	Parts No	Parts Name	Qty	Unit	Technical Data	Serial No (Start)	Serial No (End)	Remarks	F
1	42802091000	RELAY ASSY	1						
2	42800040030	HARNESS	2						0
3	42806180010	HARNESS	1						
4	90201201200	NUT	2		M12				
5	90101212025	BOLT	2		M12X25				
6	90302041201	WASHER,SPRING	2		12				
7	82400000095	GROMMET	1						
8	90303071201	WASHER,PLAIN	2		12				
9	37002703150	CABLE	1		L=1700				
10	37002703250	CABLE	1		L=4000				
11	37002400570	HOSE	1		L=2300				
12	82400000205	GROMMET	4						
13	82100002014	CLAMP	1		WR20				
14	90190000008	BOLT,STUD	9		M6X20				
15	90302040601	WASHER,SPRING	14		6				
16	90201200600	NUT	12		M6				
17	82100002006	CLAMP	6		WR10				
18	82100002016	CLAMP	1		WR25				
19	82100002037	CLAMP	3		WE10				
23	82100001216	CAP	1						
24	90101206008	BOLT	1		M6X8				
25	90303070601	WASHER,PLAIN	1		6				
26	42800230100	SWITCH ASSY	1						
27	91810132530	FASTENER	30						
28	82100002004	CLAMP	2		WR8				
29	90303071001	WASHER,PLAIN	1		10				
30	42800220030	SUPPORT	1						
31	82100000191	TERMINAL	3						
32	82100000183	INSULATOR	3						
33	42800770200	PLATE	1						
34	82100000192	TERMINAL	3						
35	82100000182	INSULATOR	3						
36	37000506240	PLATE	1						
38	82100000711	CLAMP	3						
40	90101206012	BOLT	5		M6X12				
43	82100001173	CLAMP ASSY	1		L=65				
44	90101208016	BOLT	2		M8X16				
45	90302040801	WASHER,SPRING	2		8				
46	90201200800	NUT	1		M8				
51	42800972100	SUPPORT	1						
52	42800972200	COVER	1						
53	90101206010	BOLT	5		M6X1.0				
54	90302040601	WASHER,SPRING	16		6				
55	90303070601	WASHER,PLAIN	15		6				
56	42800231010	HARNESS	1						
57	82100001811	RELAY	1						
58	90101208014	BOLT	2		M8X14				
59	90302040801	WASHER,SPRING	2		8				
60	90303070801	WASHER,PLAIN	2		8				
61	82100001417	RELAY	2						
	82161201010	RELAY	2						
62	82100002353	RELAY	3			595305	595304		
63	90101206016	BOLT	9		M6X16				
64	90201200600	NUT	10		M6				
65	80172305012	SCREW,MACHINE	4		M5X12				
67	90302040501	WASHER,SPRING	4		5				
68	90303070501	WASHER,PLAIN	4		5				
69	82100002052	CLAMP	1						
70	82100002000	BOX,FUSE	1						
71	80175303020	SCREW,MACHINE	8		M3X20				
72	90201200300	NUT	8		M3				
73	90302040301	WASHER,SPRING	8		3				
74	90303070301	WASHER,PLAIN	8		3				

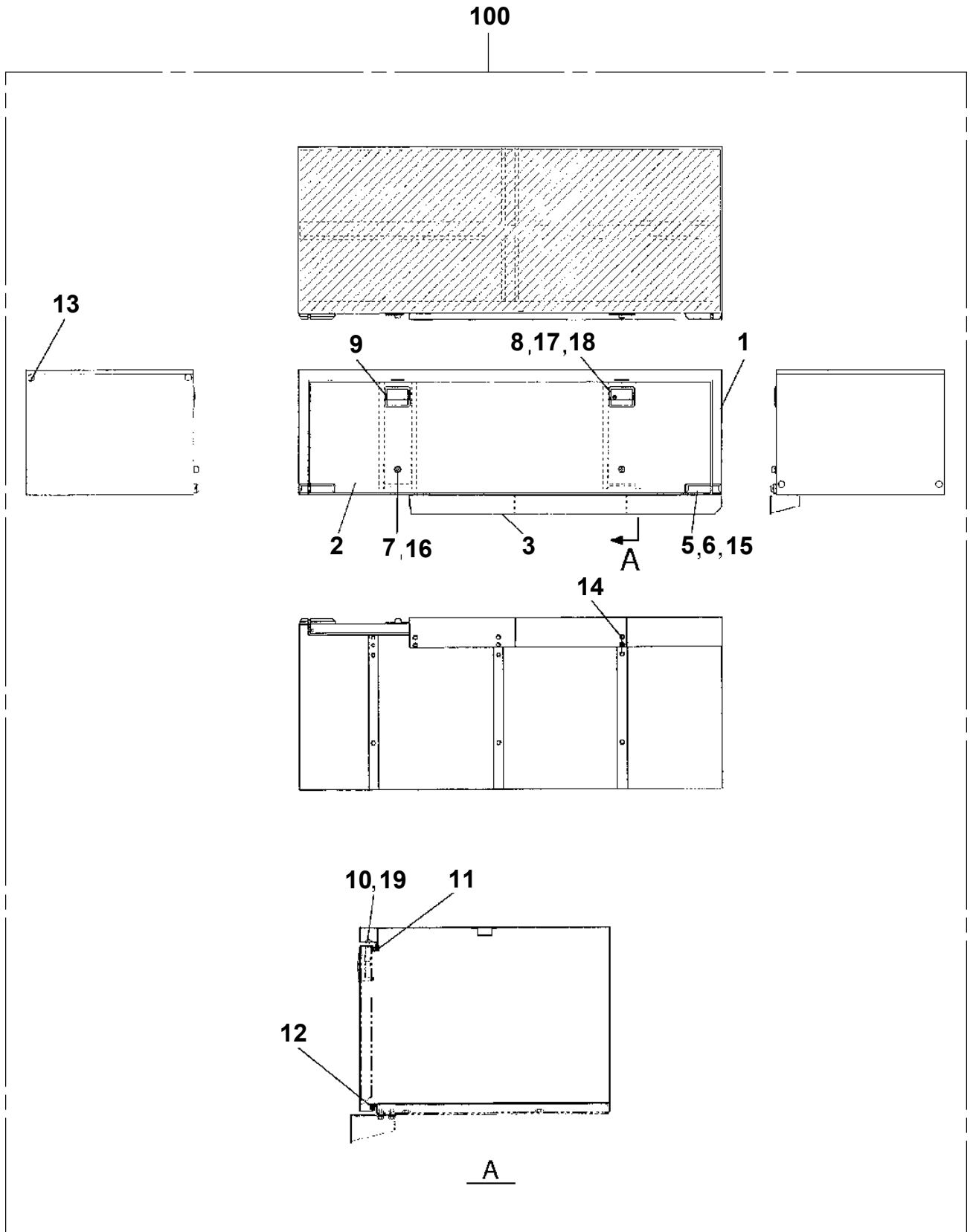
**AT-150-1 42018110400 LOWER,NISSAN CMF87EHHA
PX1100124-00 TANK SUPPORT INSTALLATION**



**AT-150-1 42018110400 LOWER,NISSAN CMF87EHHA
PX1220155-01 PUMP INSTALLATION**



AT-150-1 42018110400 LOWER,NISSAN CMF87EHHA
PX1350374-00 BOX,TOOL



CLICK HERE TO **DOWNLOAD** THE COMPLETE MANUAL

- Thank you very much for reading the preview of the manual.
- You can download the complete manual from: www.heydownloads.com by clicking the link below



- Please note: If there is no response to CLICKING the link, please download this PDF first and then click on it.

CLICK HERE TO **DOWNLOAD** THE COMPLETE MANUAL