

AT-150-1 42018141400 LOWER,ISUZU U-FRR32DB-XNB

PX1000237-02 MOUNTING PARTS

PY1000321-00 OPTIONS

ASSEMBLY

CLICK HERE TO **DOWNLOAD** THE COMPLETE MANUAL

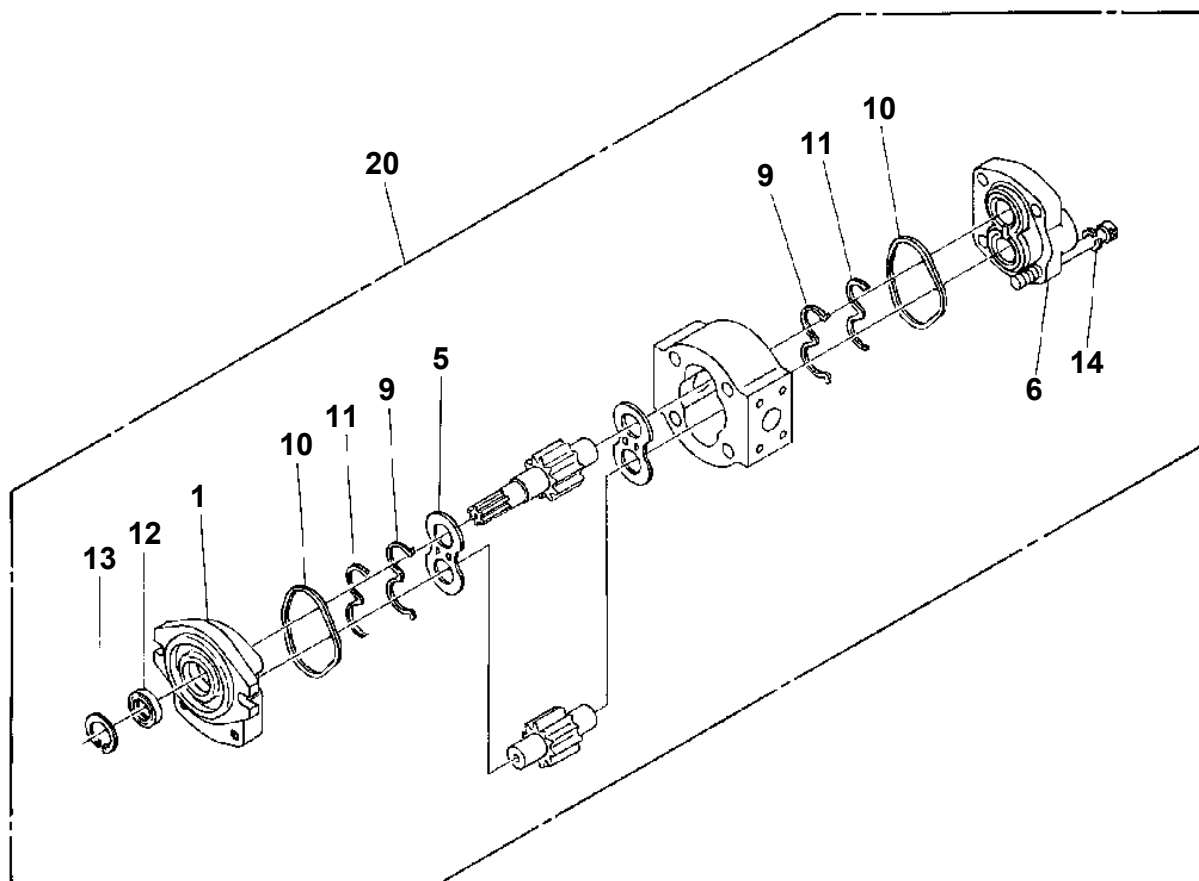
- Thank you very much for reading the preview of the manual.
- You can download the complete manual from: www.heydownloads.com by clicking the link below



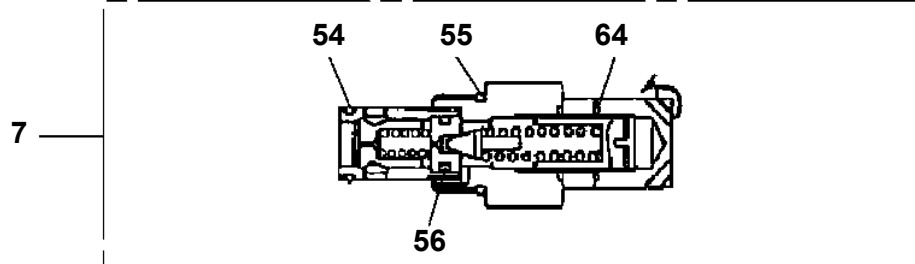
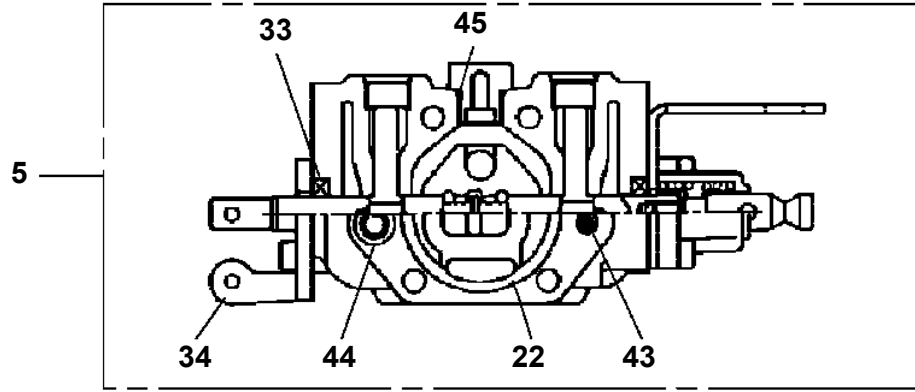
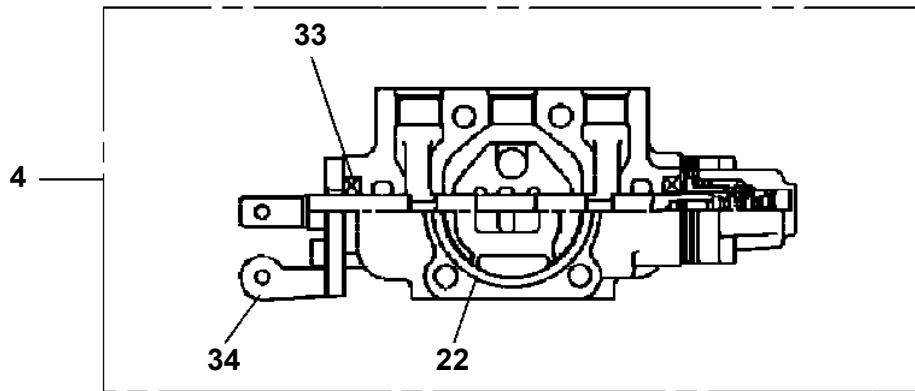
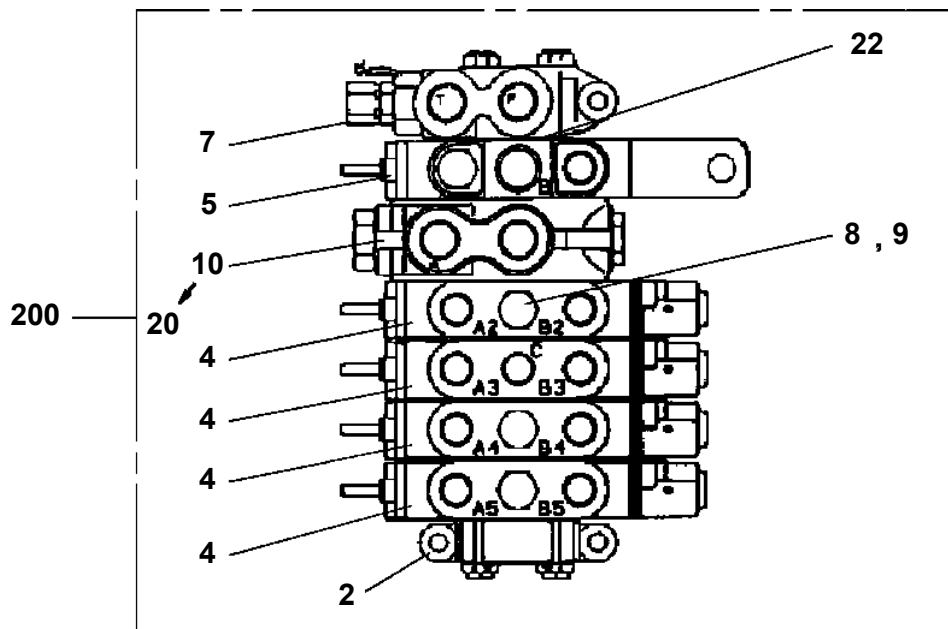
- Please note: If there is no response to CLICKING the link, please download this PDF first and then click on it.

CLICK HERE TO **DOWNLOAD** THE COMPLETE MANUAL

AT-150-1 42018141400 LOWER,ISUZU U-FRR32DB-XNB
PB1100006-00 PUMP,HYDRAULIC

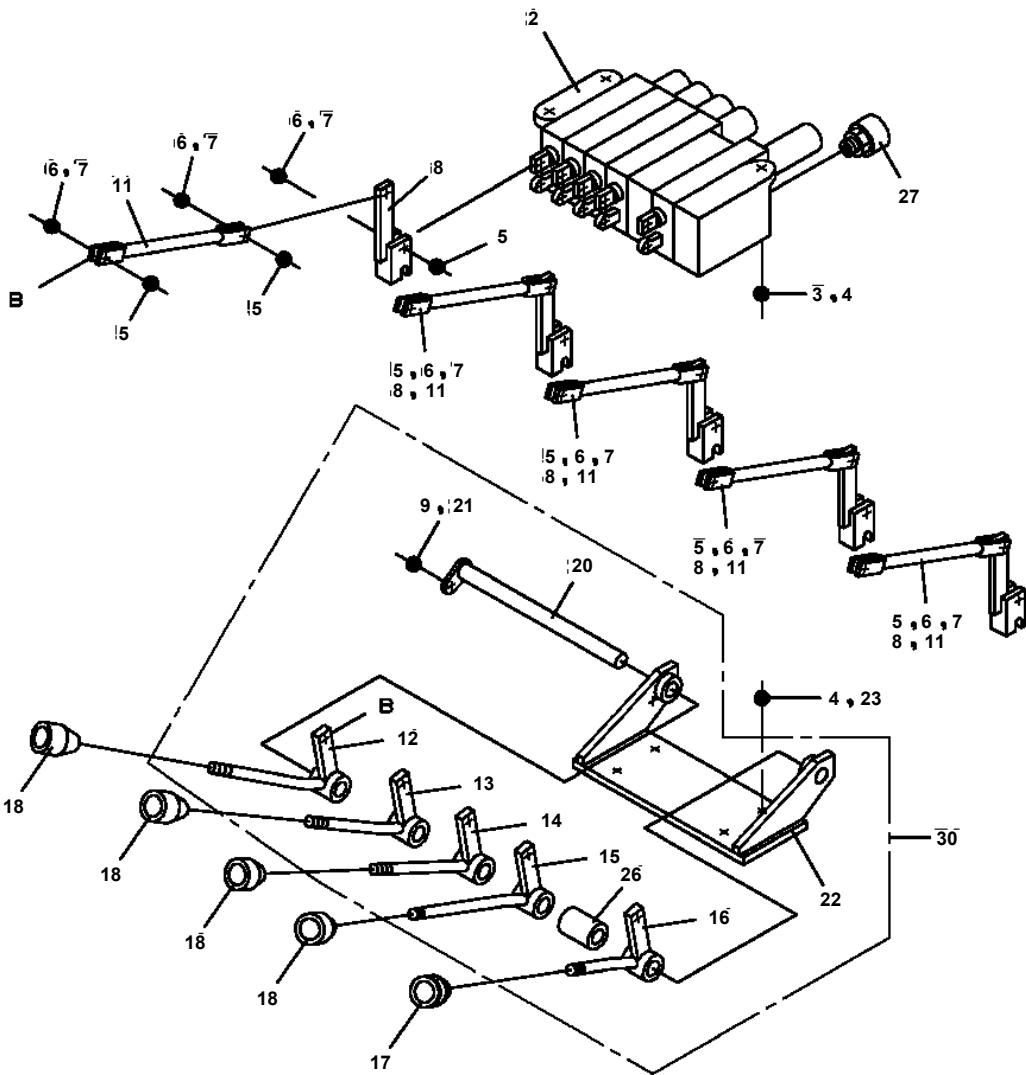
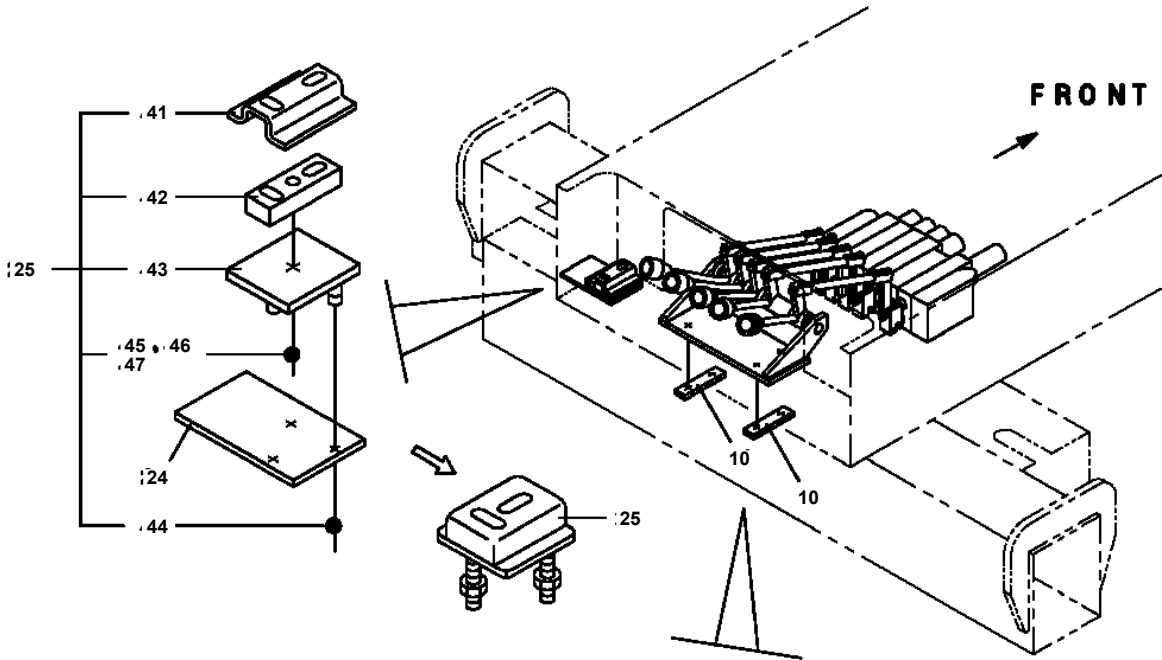


AT-150-1 42018141400 LOWER,ISUZU U-FRR32DB-XNB
 PB1320209-03 VALVE,MANUAL CONTROL (OUTRIGGER)

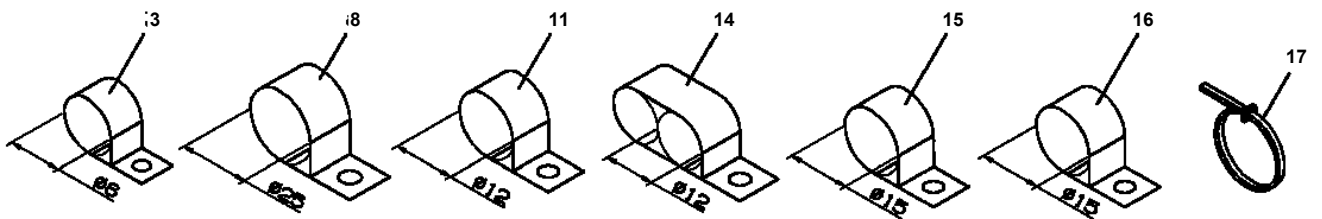
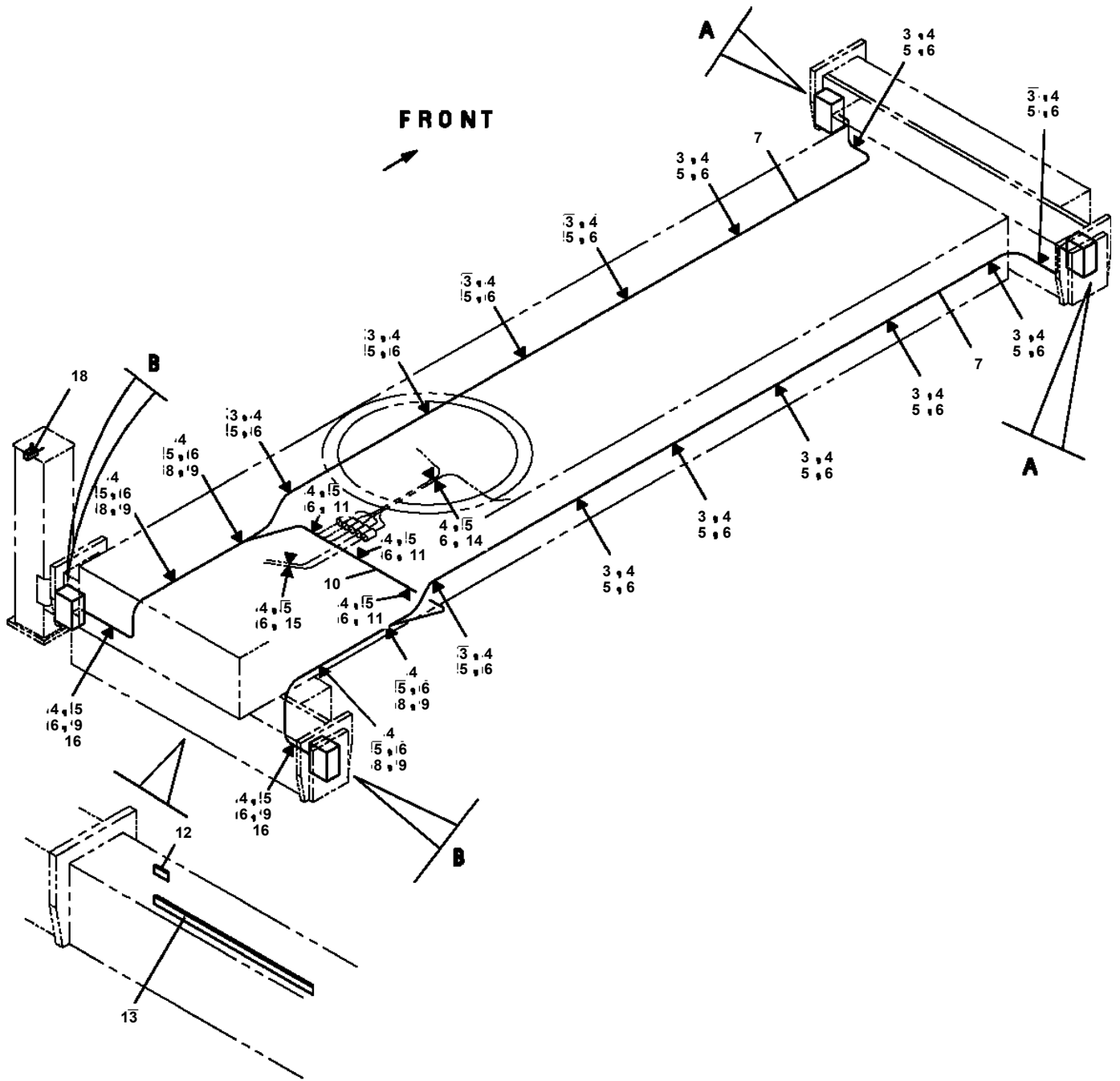


展開図有
 ILLUSTRATED BREAKDOWN NO.10, 20

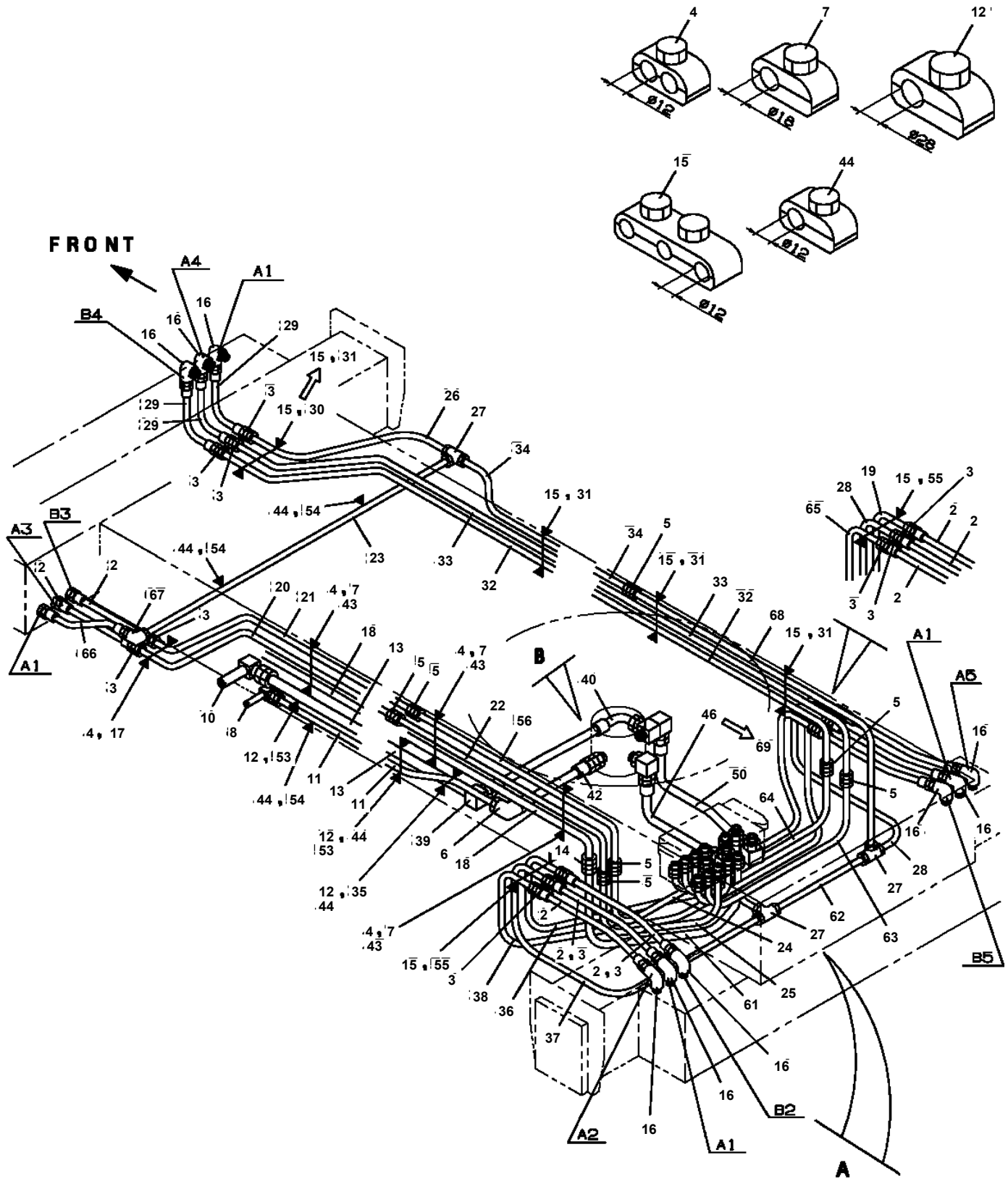
**AT-150-1 42018141400 LOWER, ISUZU U-FRR32DB-XNB
PC1100206-00 OPERATION SYSTEM, OUTRIGGER**



AT-150-1 42018141400 LOWER,ISUZU U-FRR32DB-XNB
PC1180025-01 DETECTOR,OUTRIGGER STATE



AT-150-1 42018141400 LOWER,ISUZU U-FRR32DB-XNB
PC1200309-00 PIPING,OUTRIGGER



CLICK HERE TO **DOWNLOAD** THE COMPLETE MANUAL

- Thank you very much for reading the preview of the manual.
- You can download the complete manual from: www.heydownloads.com by clicking the link below

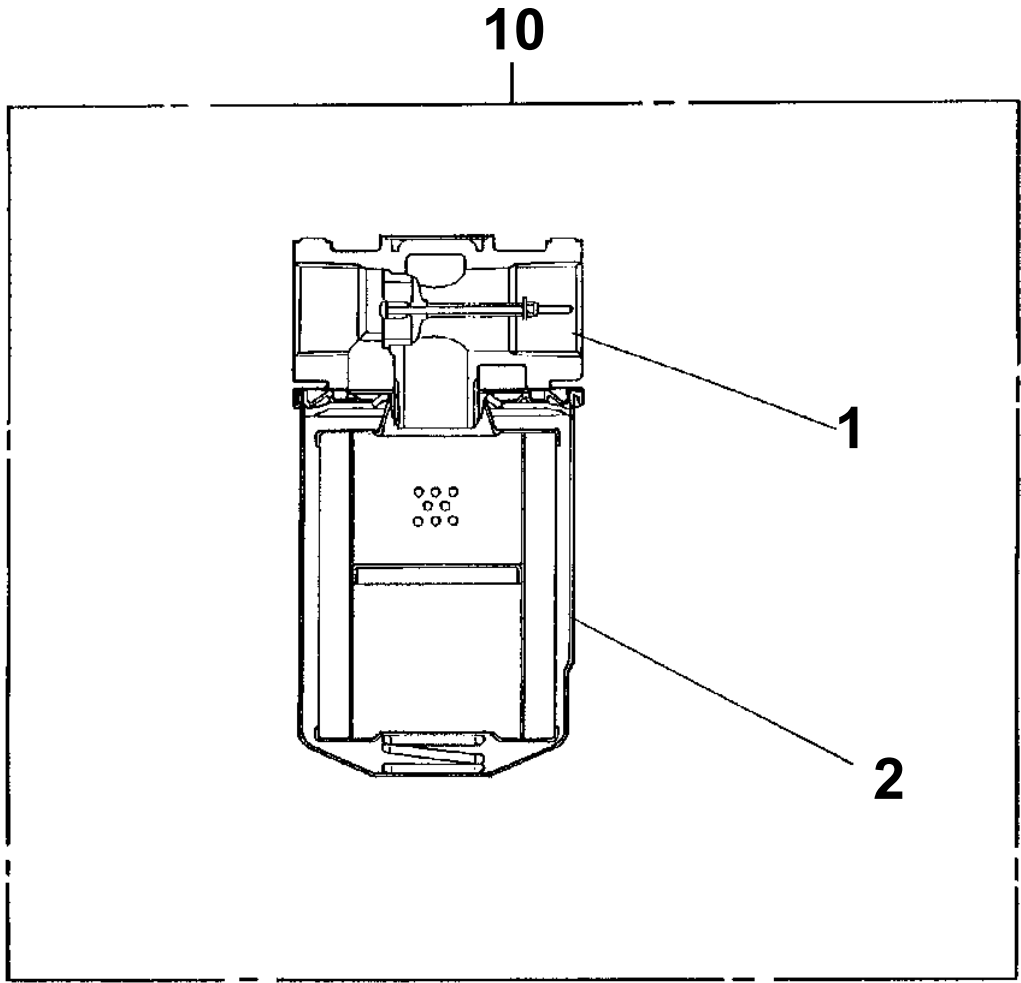


- Please note: If there is no response to CLICKING the link, please download this PDF first and then click on it.

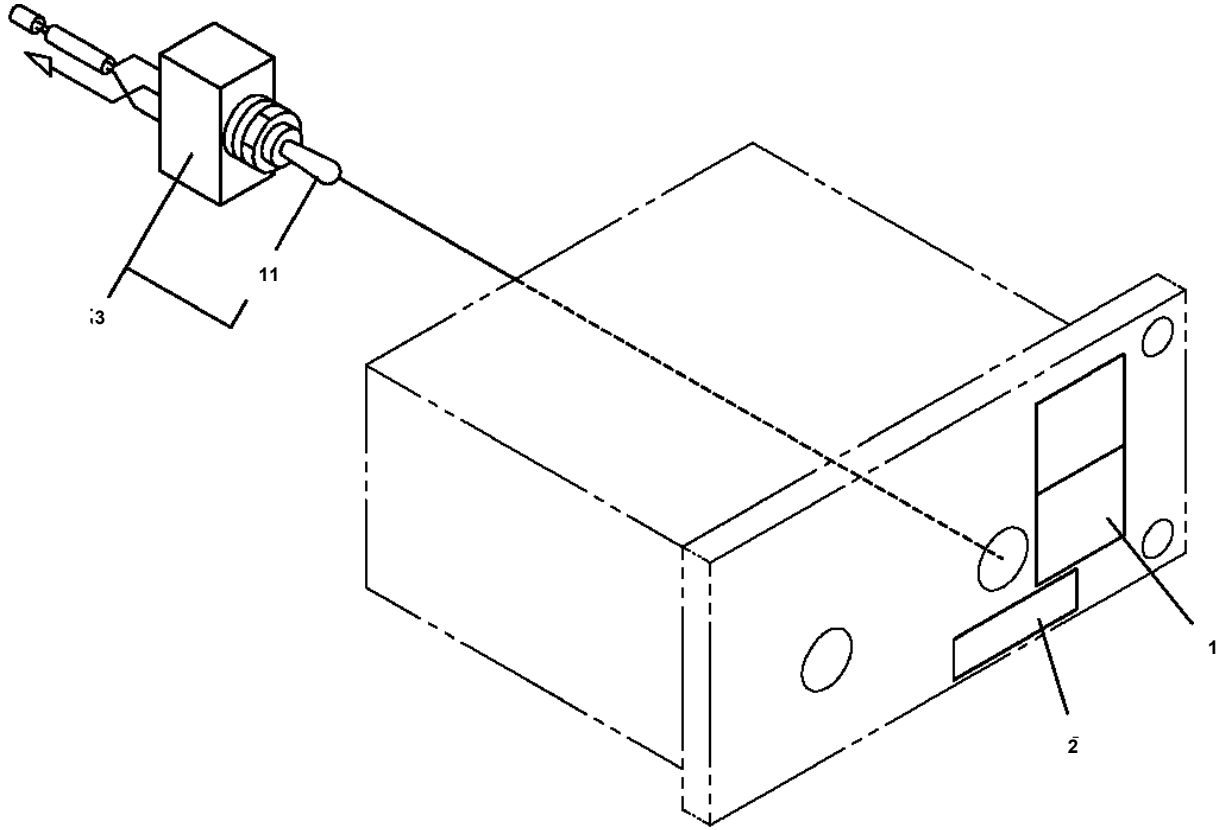
CLICK HERE TO **DOWNLOAD** THE COMPLETE MANUAL

AT-150-1 42018141400 LOWER, ISUZU U-FRR32DB-XNB
PI1300061-02 FILTER, OIL (YAMASHIN)

Assembly Name FILTER, OIL



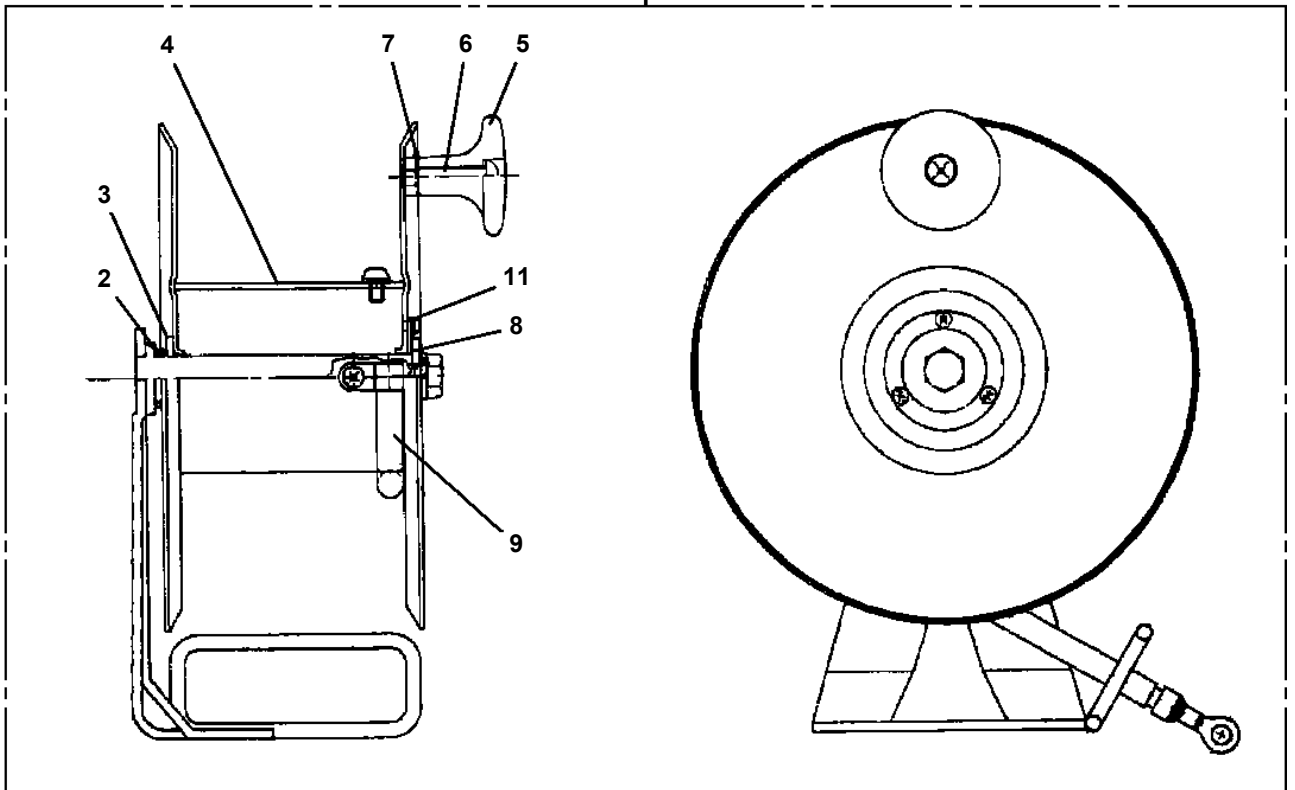
**AT-150-1 42018141400 LOWER,ISUZU U-FRR32DB-XNB
PN1010548-01 ELEC.ASSY (SWITCH,ENGINE)**



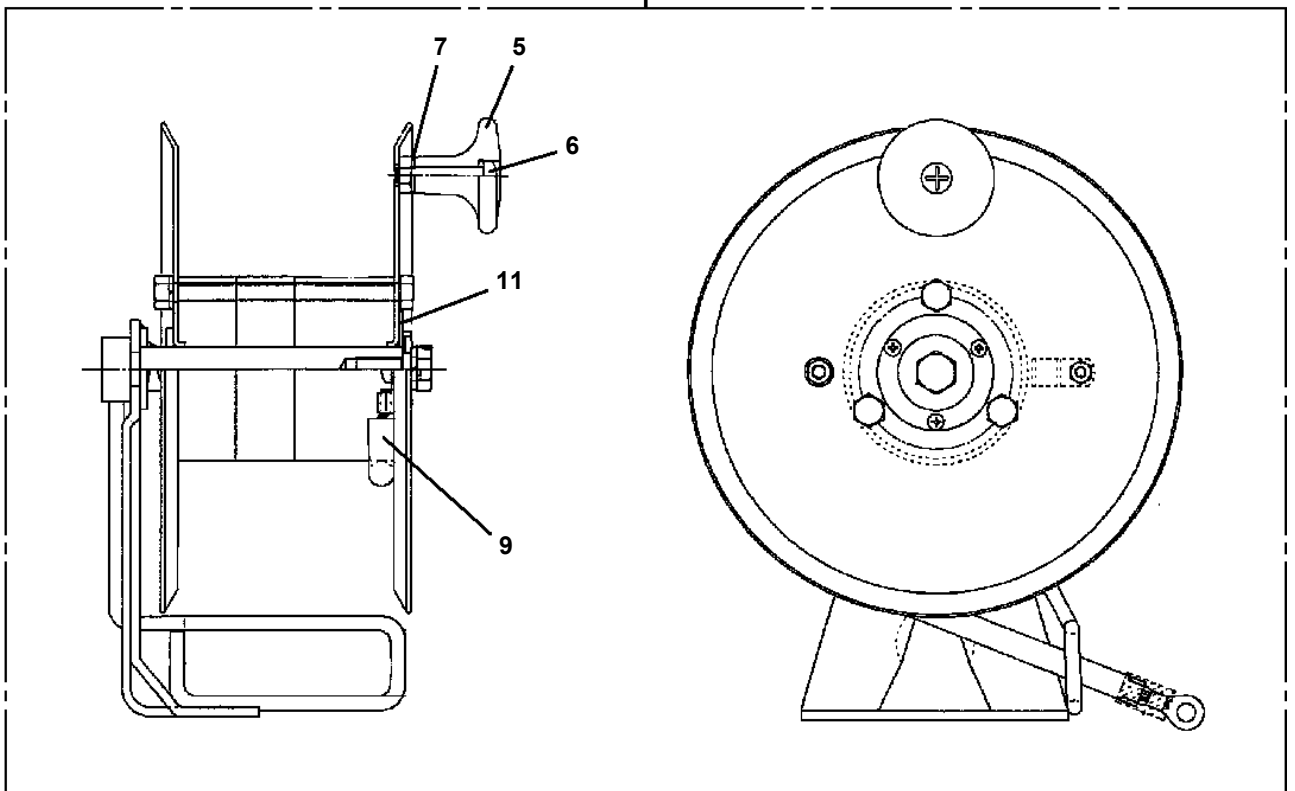
INSIDE OF OUTRIGGER CONTROL BOX

AT-150-1 42018141400 LOWER, ISUZU U-FRR32DB-XNB
PN1350026-01 REEL, CORD (FOR EARTHING)

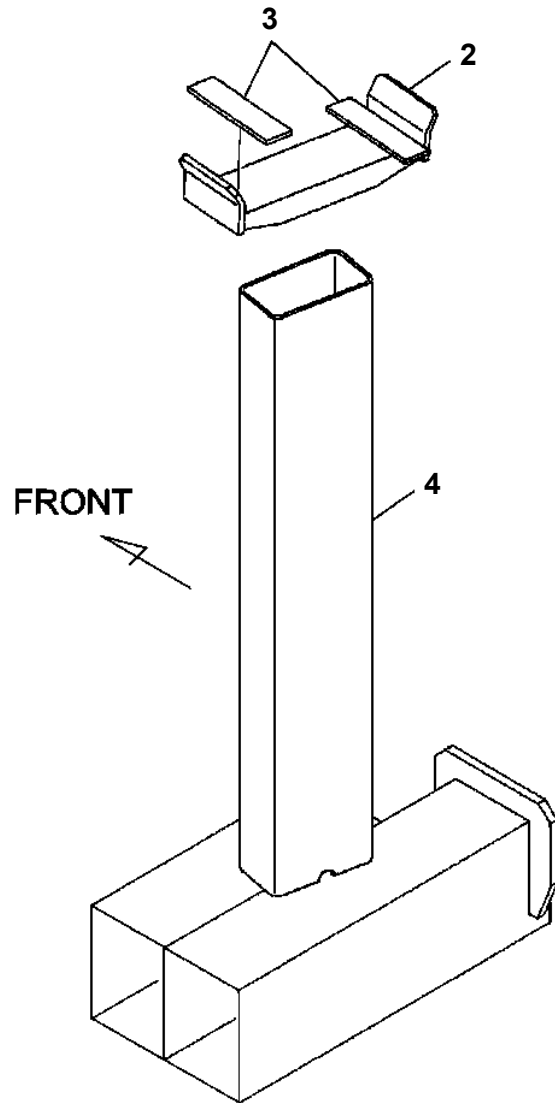
50



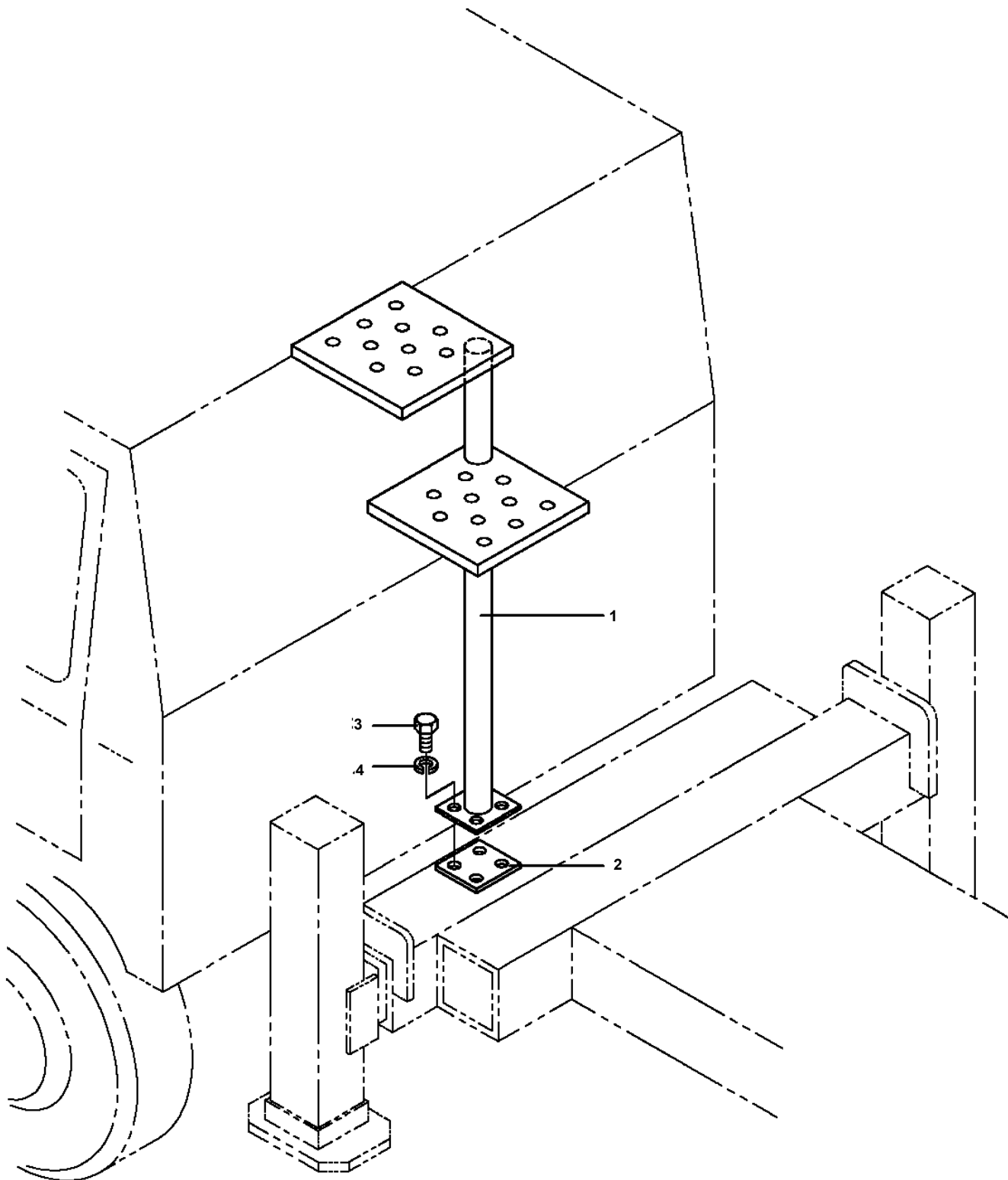
50



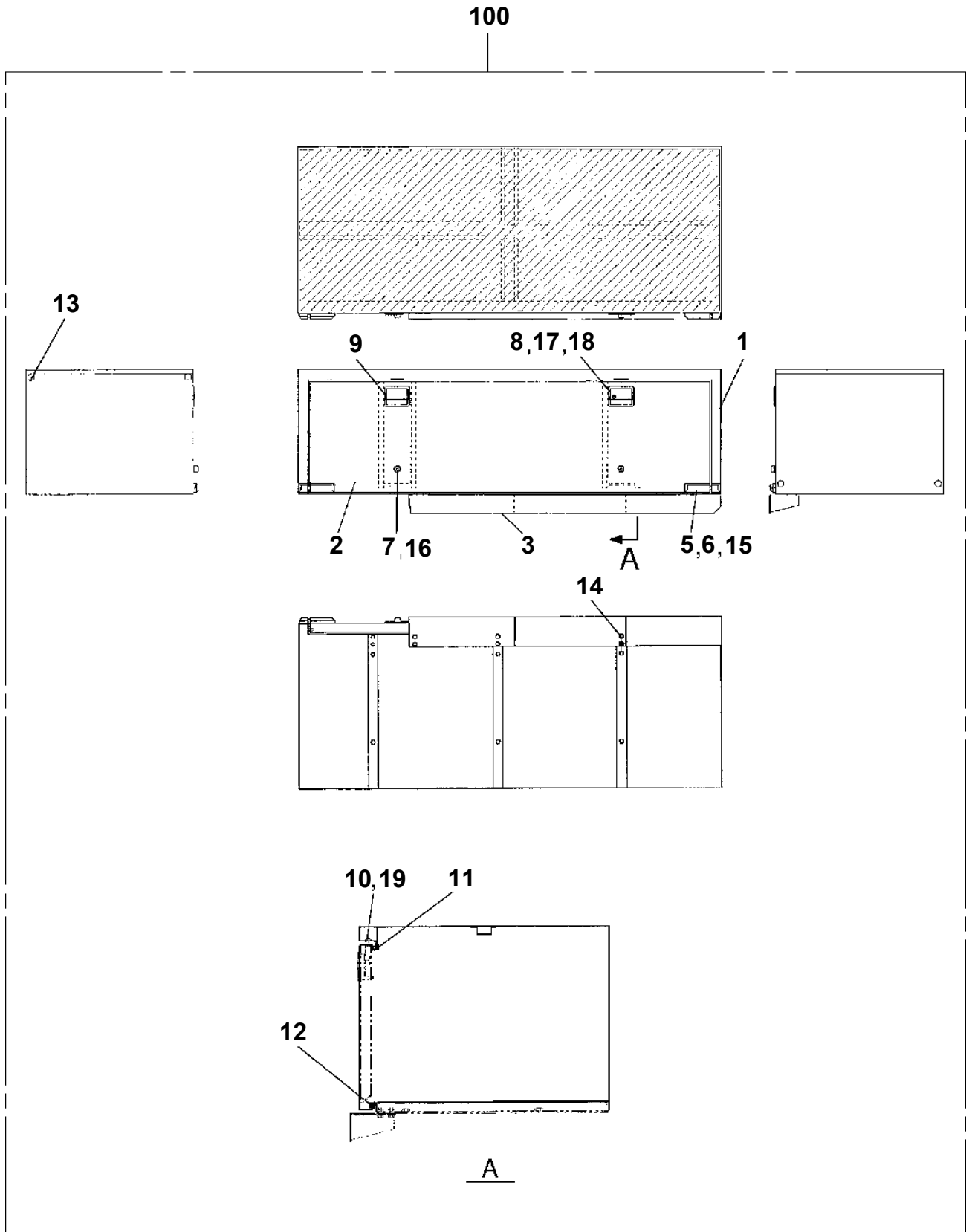
**AT-150-1 42018141400 LOWER,ISUZU U-FRR32DB-XNB
PX1120048-01 BOOM REST INSTALLATION**



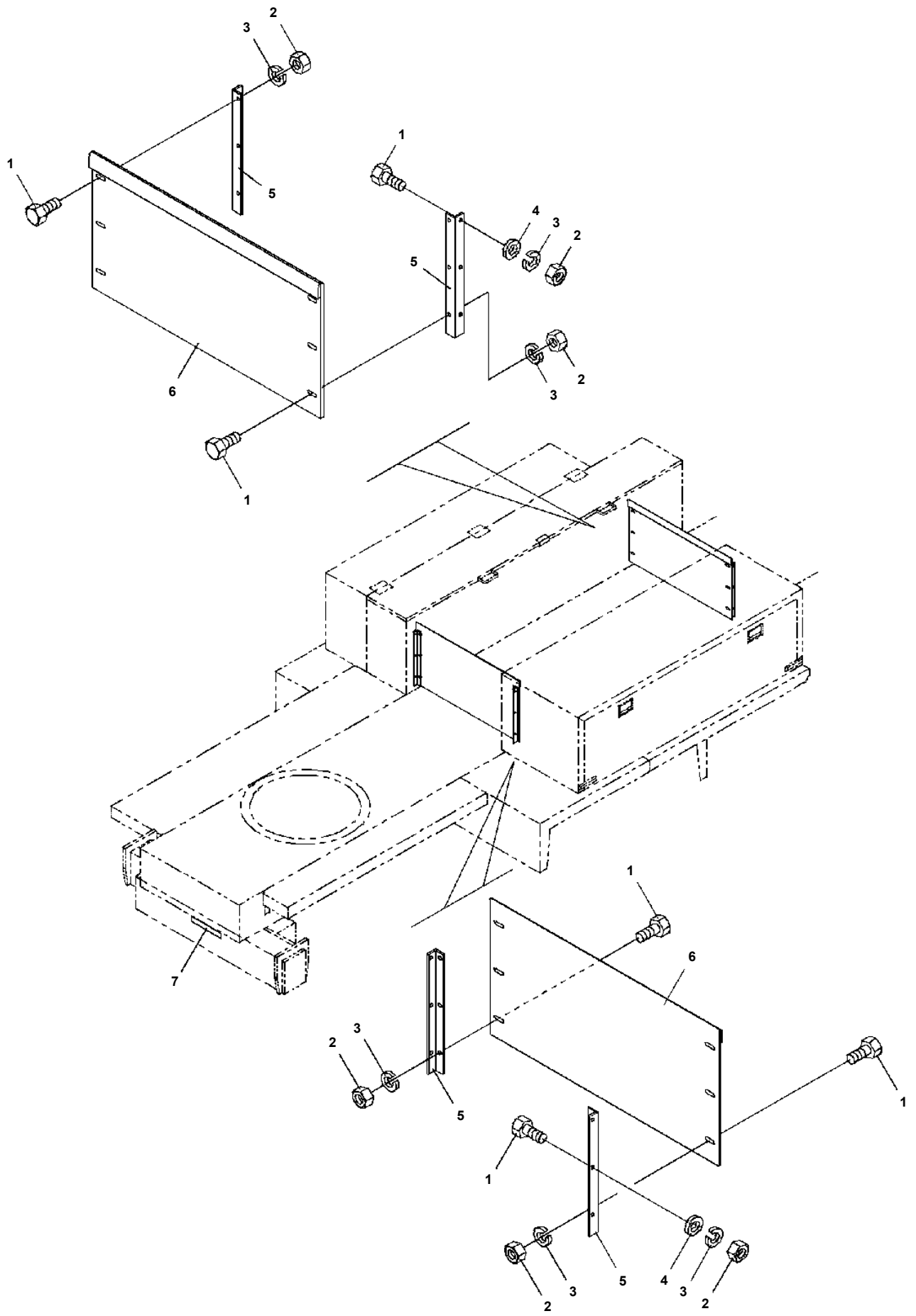
**AT-150-1 42018141400 LOWER,ISUZU U-FRR32DB-XNB
PX1260047-00 STEP INSTALLATION**



AT-150-1 42018141400 LOWER,ISUZU U-FRR32DB-XNB
PX1350374-00 BOX,TOOL



**AT-150-1 42018141400 LOWER,ISUZU U-FRR32DB-XNB
PX1640000-00 BOARD**



CLICK HERE TO **DOWNLOAD** THE COMPLETE MANUAL

- Thank you very much for reading the preview of the manual.
- You can download the complete manual from: www.heydownloads.com by clicking the link below



- Please note: If there is no response to CLICKING the link, please download this PDF first and then click on it.

CLICK HERE TO **DOWNLOAD** THE COMPLETE MANUAL