

AT-147-3 43010100002 UPPER

**PD2000186-01 SWING UNIT
PF1000593-01 WINCH SYSTEM
PG2000244-00 BOOM UNIT
PH1000550-00 SAFETY DEVICES (MOTION CONTROLLER)
PJ3000476-02 BUCKET SYSTEM
PJ5000003-00 BOOSTER UNIT
PK2000894-02 FRAME UNIT
PO1000171-00 INDICATION PLATES
PW1000118-00 ACCESSORIES & TOOLS
PX1000918-00 MOUNTING PARTS
PY1001439-00 OPTIONS
ASSEMBLY**

CLICK HERE TO **DOWNLOAD** THE COMPLETE MANUAL

- Thank you very much for reading the preview of the manual.
- You can download the complete manual from: www.heydownloads.com by clicking the link below



- Please note: If there is no response to CLICKING the link, please download this PDF first and then click on it.

CLICK HERE TO **DOWNLOAD** THE COMPLETE MANUAL

AT-147-3 43010100002 UPPER
PJ5000003-00 BOOSTER UNIT

ブースタ ユニット
BOOSTER UNIT

【組立名称一覧】より選択してください。
SEE THE CORRESPONDING "ASSEMBLY NAME" LIST.

AT-147-3 43010100002 UPPER

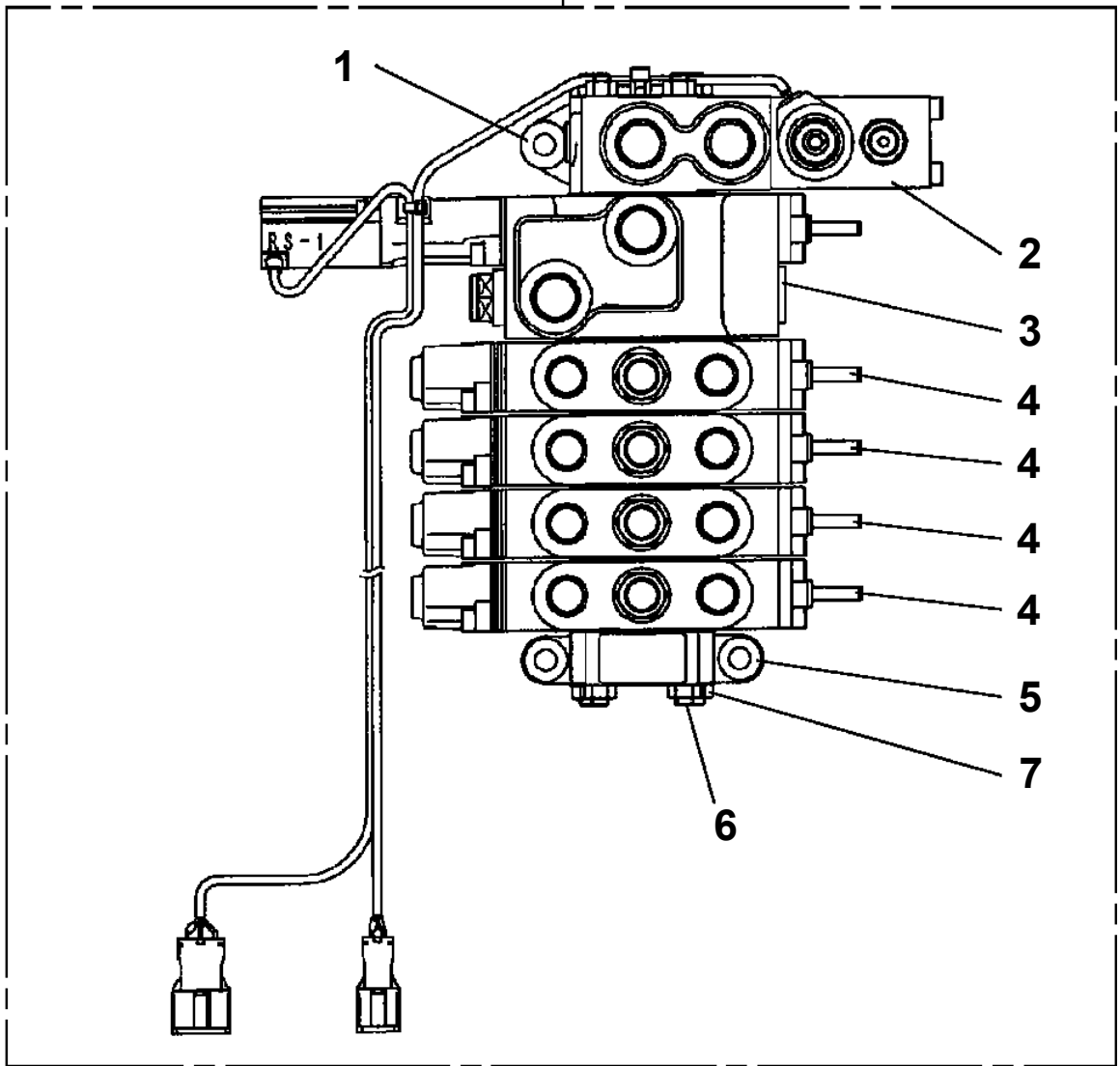
| Pos No. | Parts No | Parts Name | Qty | Unit | Technical Data | Serial No (Start) | Serial No (End) | Remarks | Pages |
|---------|----------|---------------|-----|------|----------------|-------------------|-----------------|---------|--------|
| 1 | (*****) | OPTION UNIT,1 | 1 | | | | | | 000451 |
| 2 | (*****) | OPTION UNIT,2 | 1 | | | | | | 000452 |

AT-147-3 43010100002 UPPER

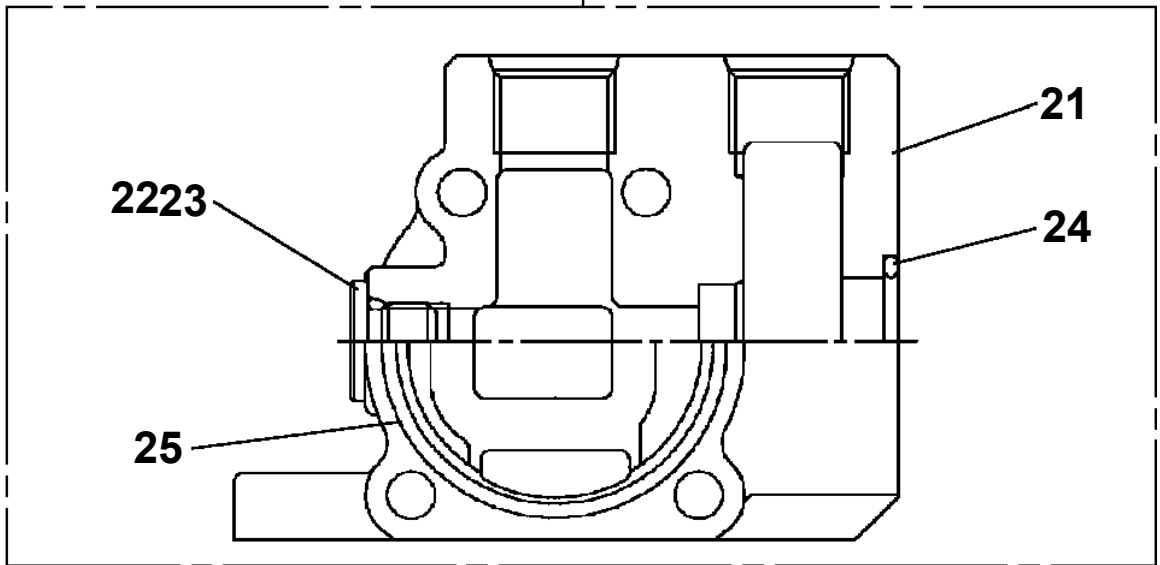
| Pos No. | Parts No | Parts Name | Qty | Unit | Technical Data | Serial No (Start) | Serial No (End) | Remarks | Pages |
|---------|-------------|----------------|-----|------|----------------|-------------------|-----------------|---------|-------|
| 11 | 36654185010 | SEAL KIT | 1 | | | | | | |
| 100 | 36654180000 | PUMP,HYDRAULIC | 1 | | | | | | |

AT-147-3 43010100002 UPPER
PB1320537-01 VALVE,MANUAL CONTROL

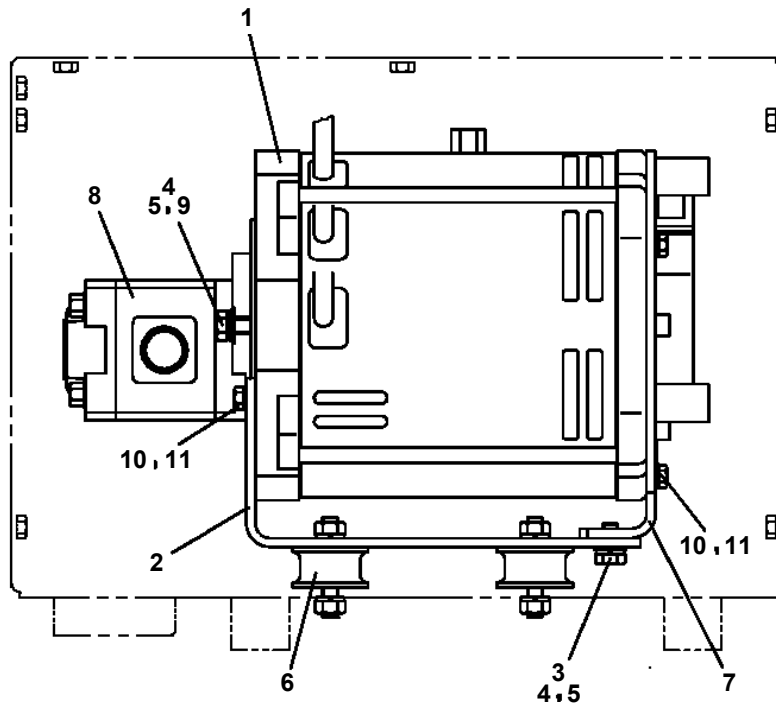
200



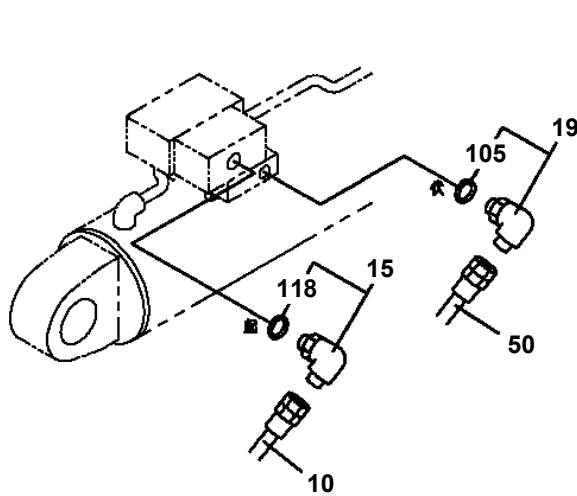
1



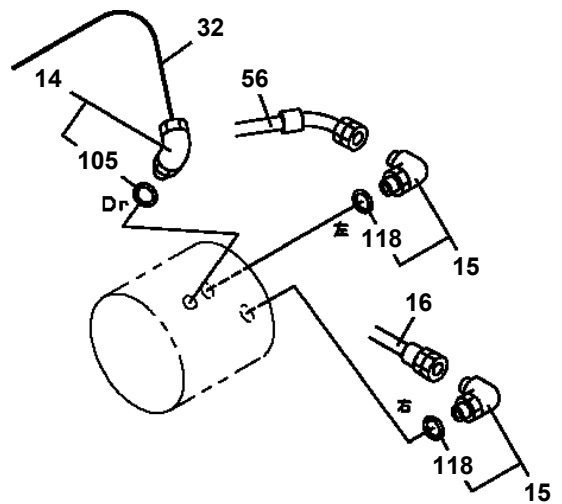
AT-147-3 43010100002 UPPER
PB1380294-00 POWER SUPPLY (MOTOR UNIT)



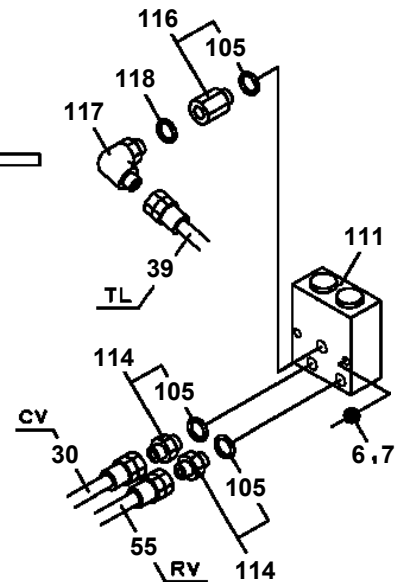
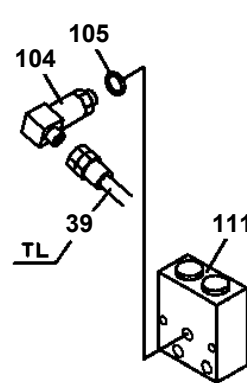
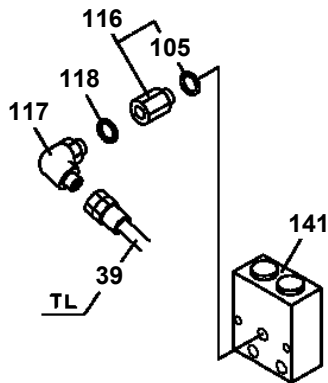
**AT-147-3 43010100002 UPPER
PB1400435-02 PIPING, UPPER**



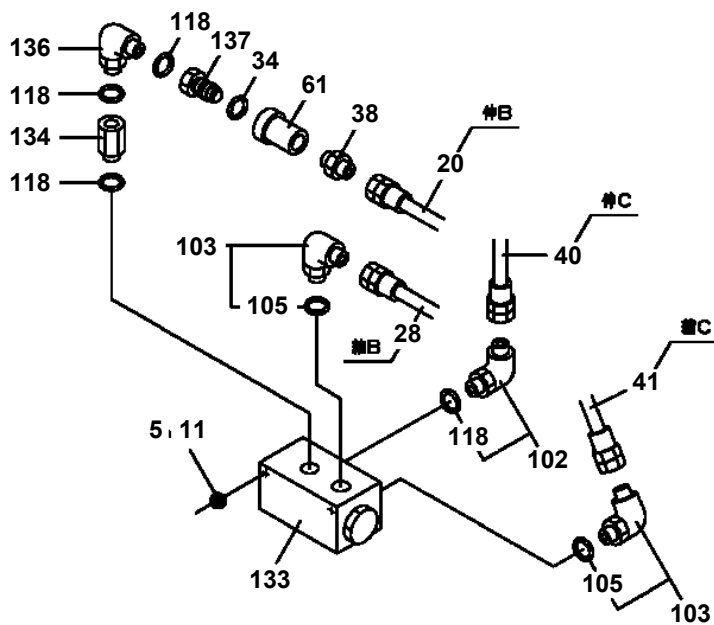
B



C

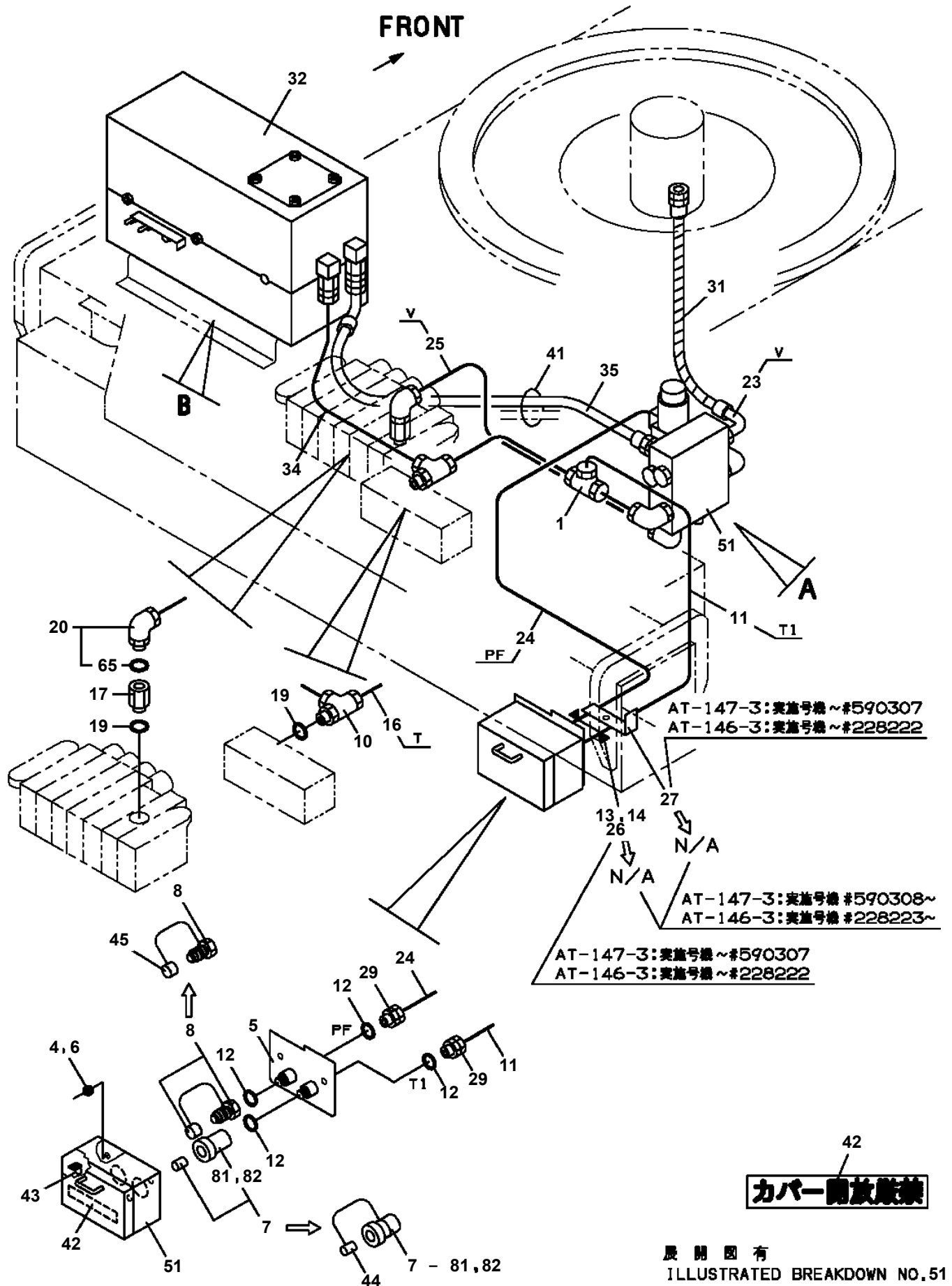


D

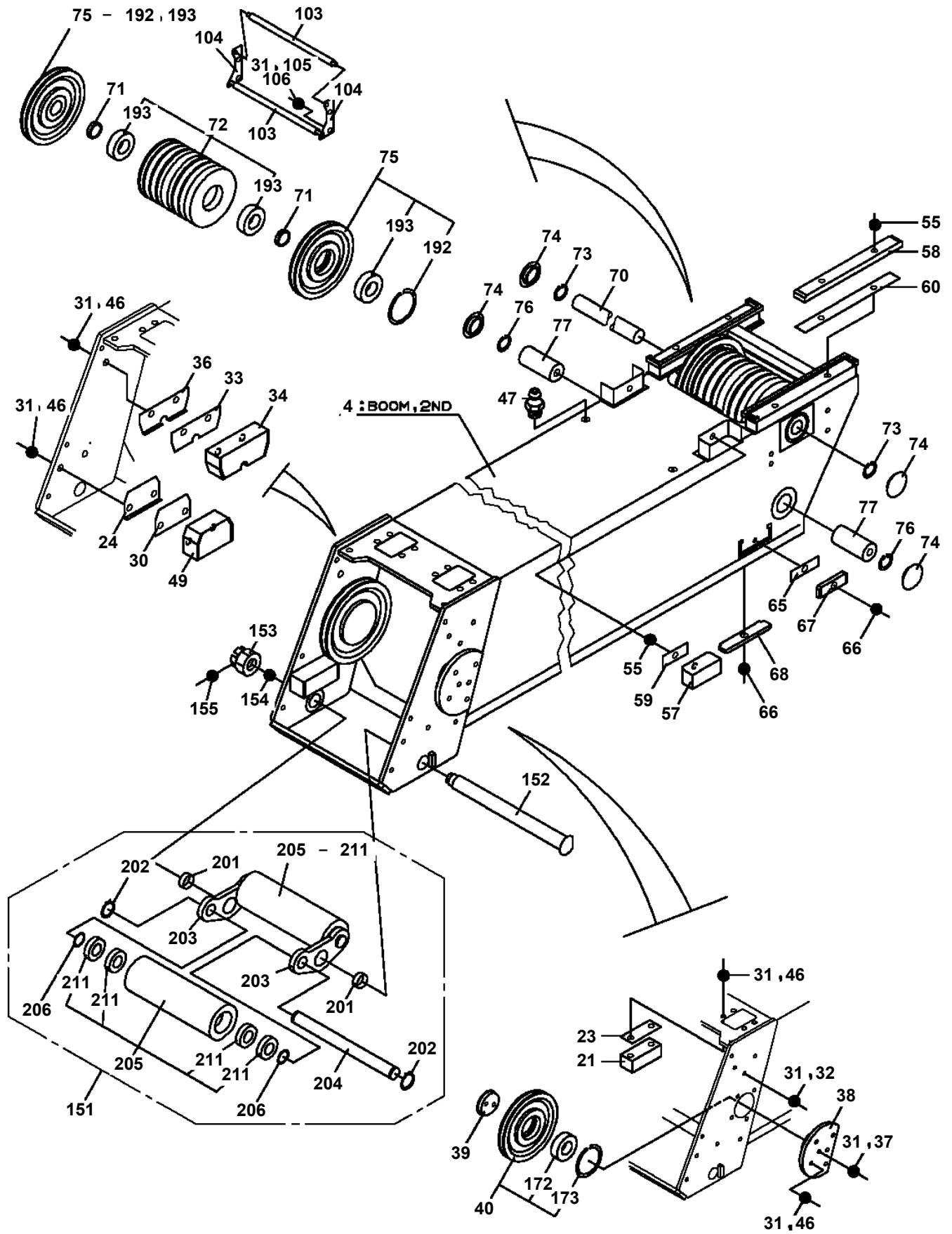


E

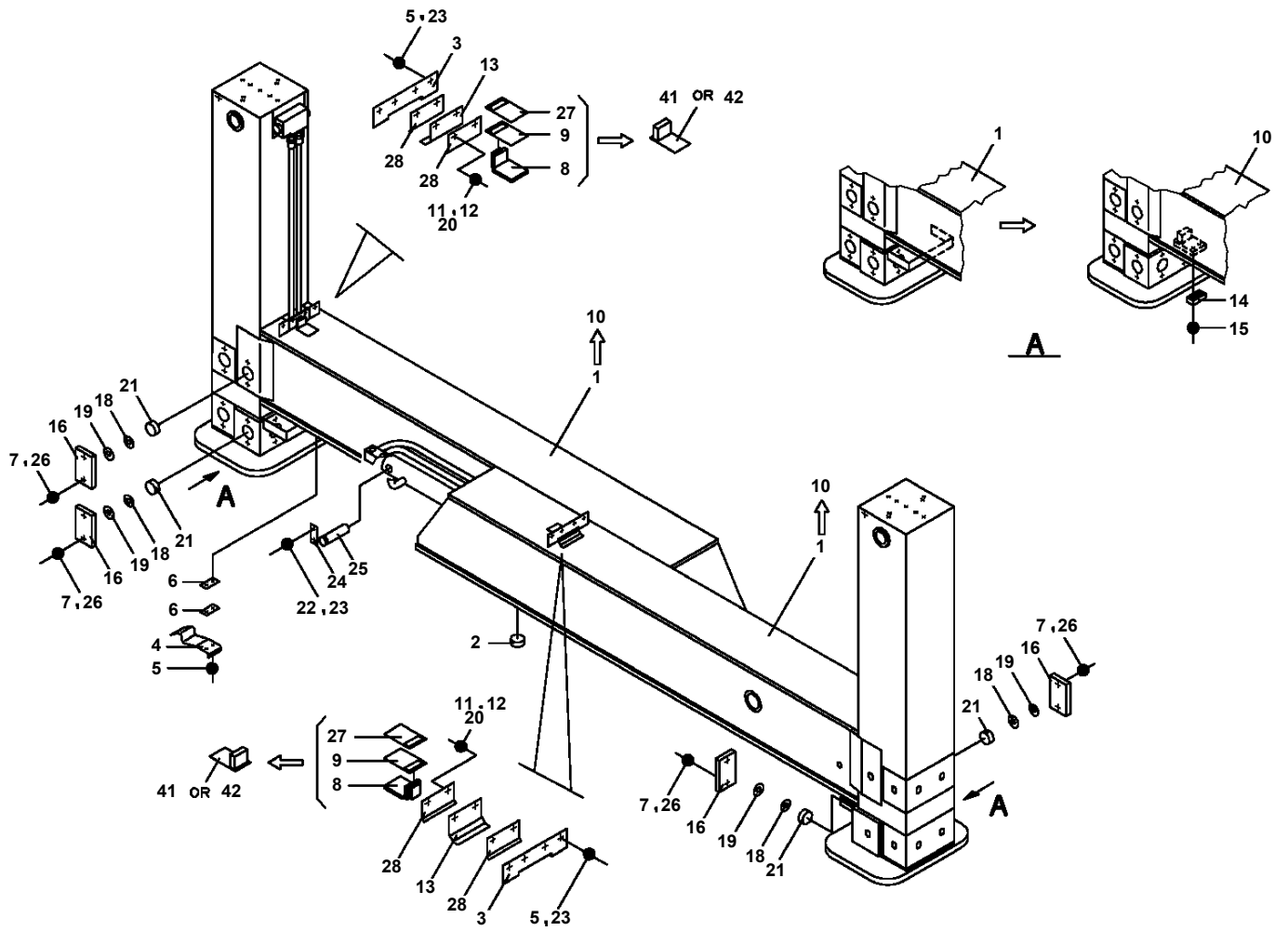
AT-147-3 43010100002 UPPER
PB1910231-04 PIPING



**AT-147-3 43010100002 UPPER
PB5190089-01 BOOM ASSY**



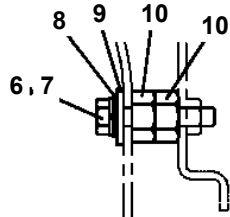
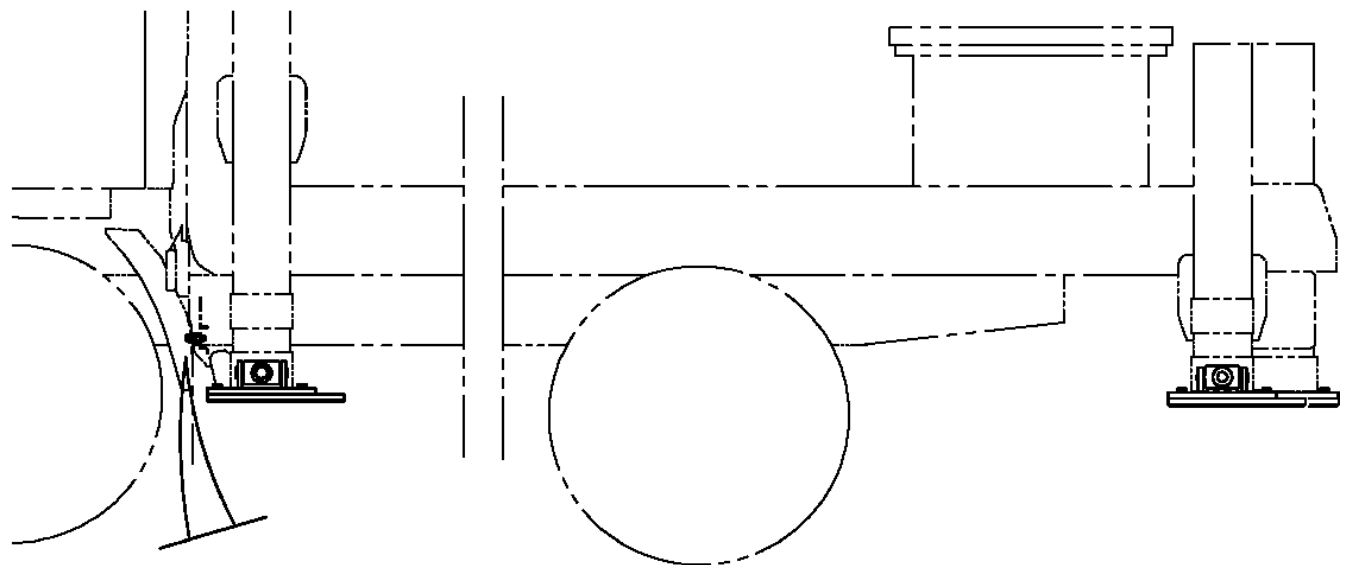
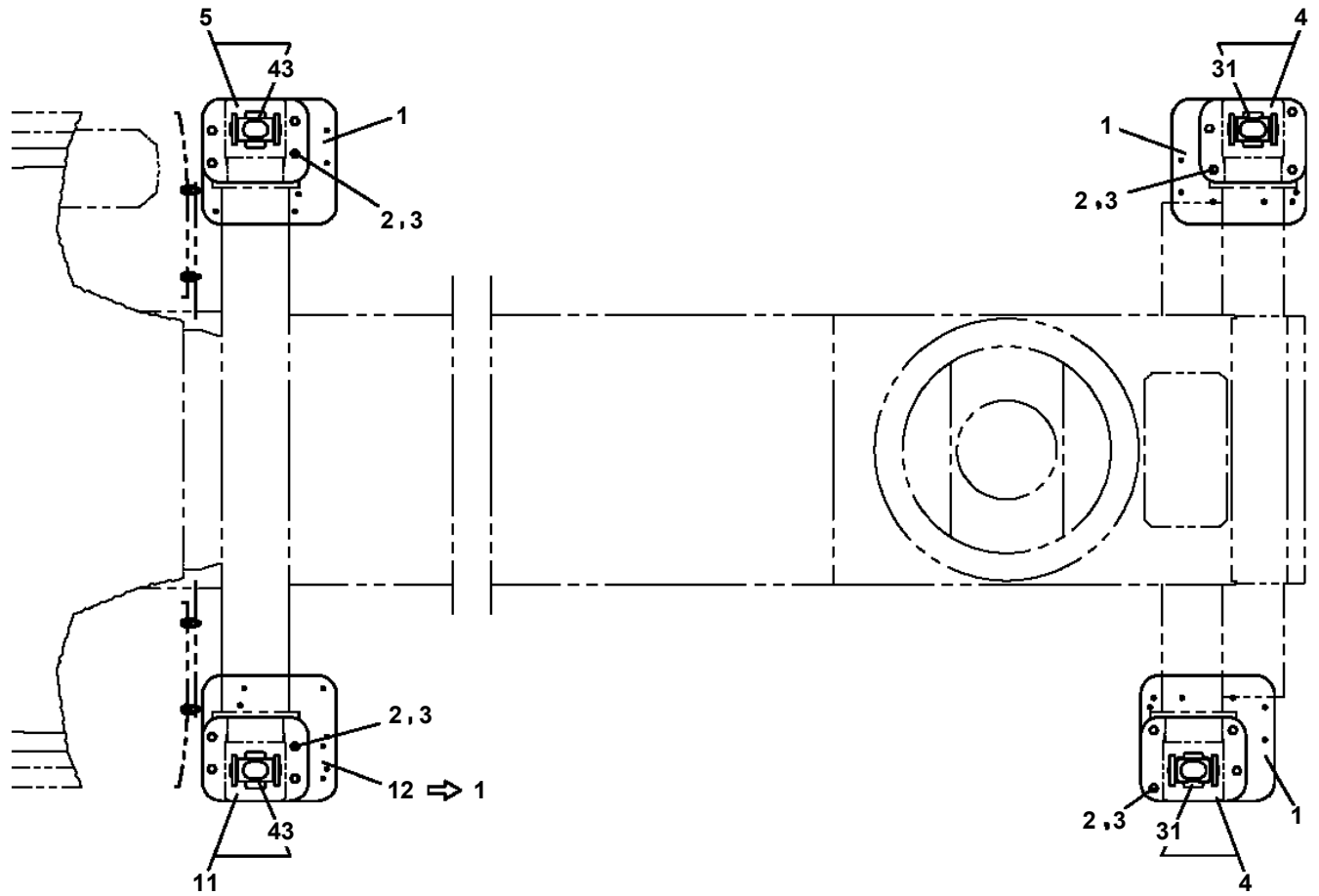
**AT-147-3 43010100002 UPPER
PC1011306-02 OUTRIGGER (REAR)**



AT-147-3 4301010002 UPPER

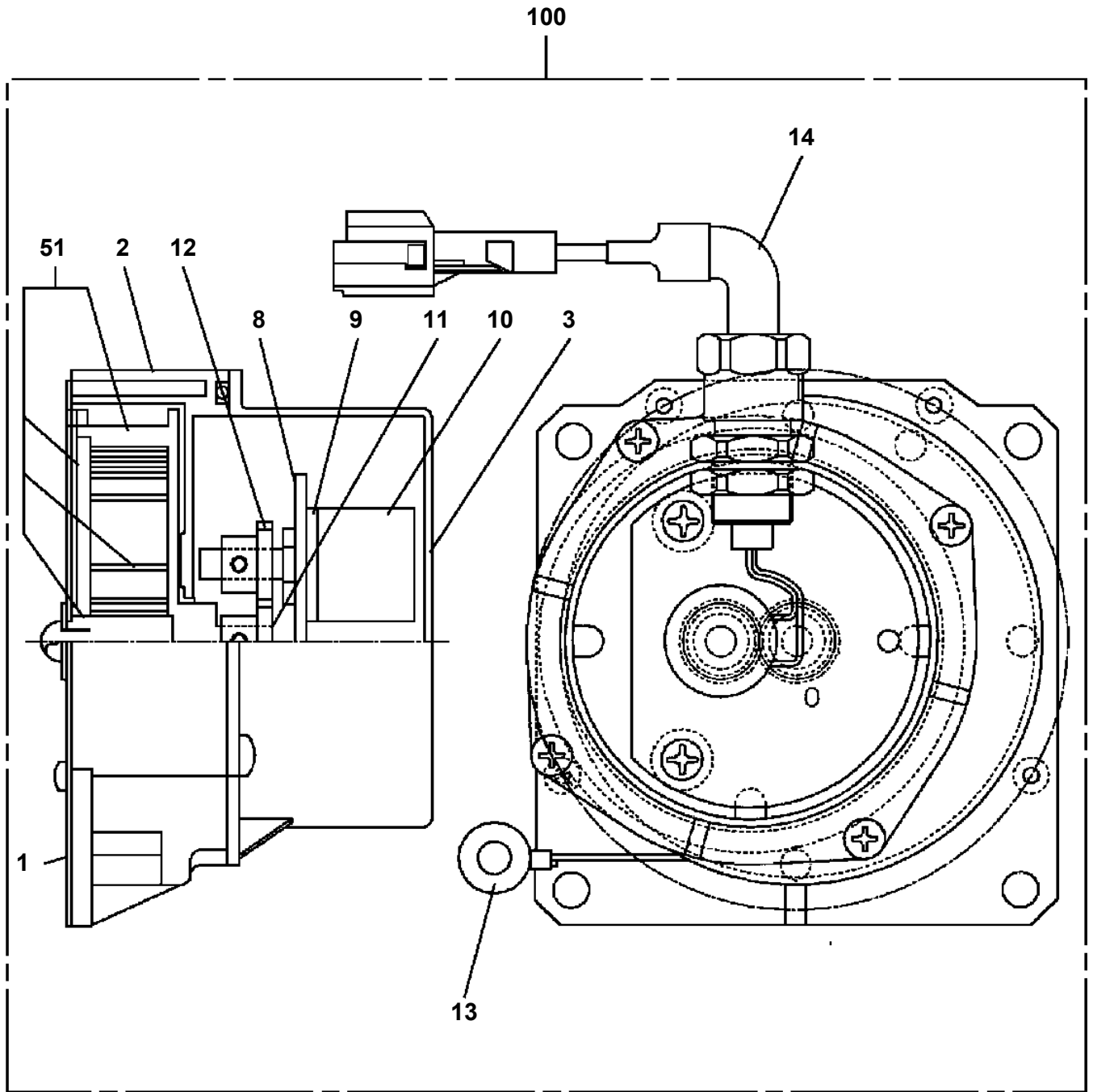
| Pos No. | Parts No | Parts Name | Qty | Unit | Technical Data | Serial No (Start) | Serial No (End) | R |
|---------|--------------|-----------------------------|-----|------|----------------|-------------------|-----------------|---|
| 1 | 42614471105 | CASE,INNER | 1 | | | | | |
| 2 | 42613351200 | CASE,INNER (JACK) | 1 | | | | | |
| 4 | 36035100000 | CYLINDER,JACK | 1 | | | | | |
| 5 | 42613351400 | FLOAT ASSY | 1 | | | | | |
| 6 | 37000171720 | PIN | 1 | | | | | |
| 7 | 80601110250 | RING,RITAINING | 2 | | S25 | | | |
| 8 | 37000169010 | PIN | 1 | | 30 | | | |
| 9 | 80601110300 | RING,RITAINING | 2 | | S30 | | | |
| 10 | 36625740001 | VALVE,CHECK | 1 | | | | | |
| 11 | 901711108055 | BOLT | 4 | | M8X55 | | | |
| 12 | 37000138750 | PIN | 1 | | 18 | | | |
| 13 | 80136332036 | PIN,SPLIT | 2 | | 3.2X36 | | | |
| 14 | 80400160127 | JOINT | 1 | | | | | |
| 15 | 91002801100 | O-RING | 1 | | 1B P11 | | | |
| 16 | 36672460000 | FILTER (NIPPLE TYPE) | 1 | | | | | |
| 17 | 42612851010 | COVER | 1 | | | | | |
| 18 | 90186206014 | BOLT,FLANGE | 2 | | M6X14 | | | |
| 19 | 37000112320 | PIN | 1 | | | | | |
| 20 | 80601110120 | RING,RITAINING | 2 | | S12 | | | |
| 21 | 91810130240 | FASTENER | 2 | | | | | |
| 22 | 31201770100 | PLATE,SLIDE | 8 | | T=3.0 | | | |
| 23 | 90280200600 | NUT,FLANGE | 1 | | M6 | | | |
| 24 | 37000600700 | CLAMP | 1 | | 12X3 | | | |
| 25 | 42614471010 | PLATE,SLIDE | 1 | | T=2.0 | | | |
| 41 | 36042820000 | CYLINDER,EXTENSION (REAR) | 1 | | | | | |
| 42 | 80400160127 | JOINT | 2 | | | | | |
| 43 | 91002801100 | O-RING | 3 | | 1B P11 | | | |
| 44 | 37002474980 | HOSE | 1 | | L=2075 | | | |
| 45 | 42612861350 | HARNESS | 1 | | | | 590392 | |
| 46 | 91810130240 | FASTENER | 13 | | | | | |
| 51 | 42612851420 | TRUNNION | 1 | | | | | |
| 100 | 42614471006 | OUTRIGGER (REAR/INNER CASE) | 1 | | | | | |

**AT-147-3 43010100002 UPPER
PC1070009-00 FLOAT (FOR FRONT LONG JACK/LARGE SIZE RUBBER)**



(いすゞのみ)

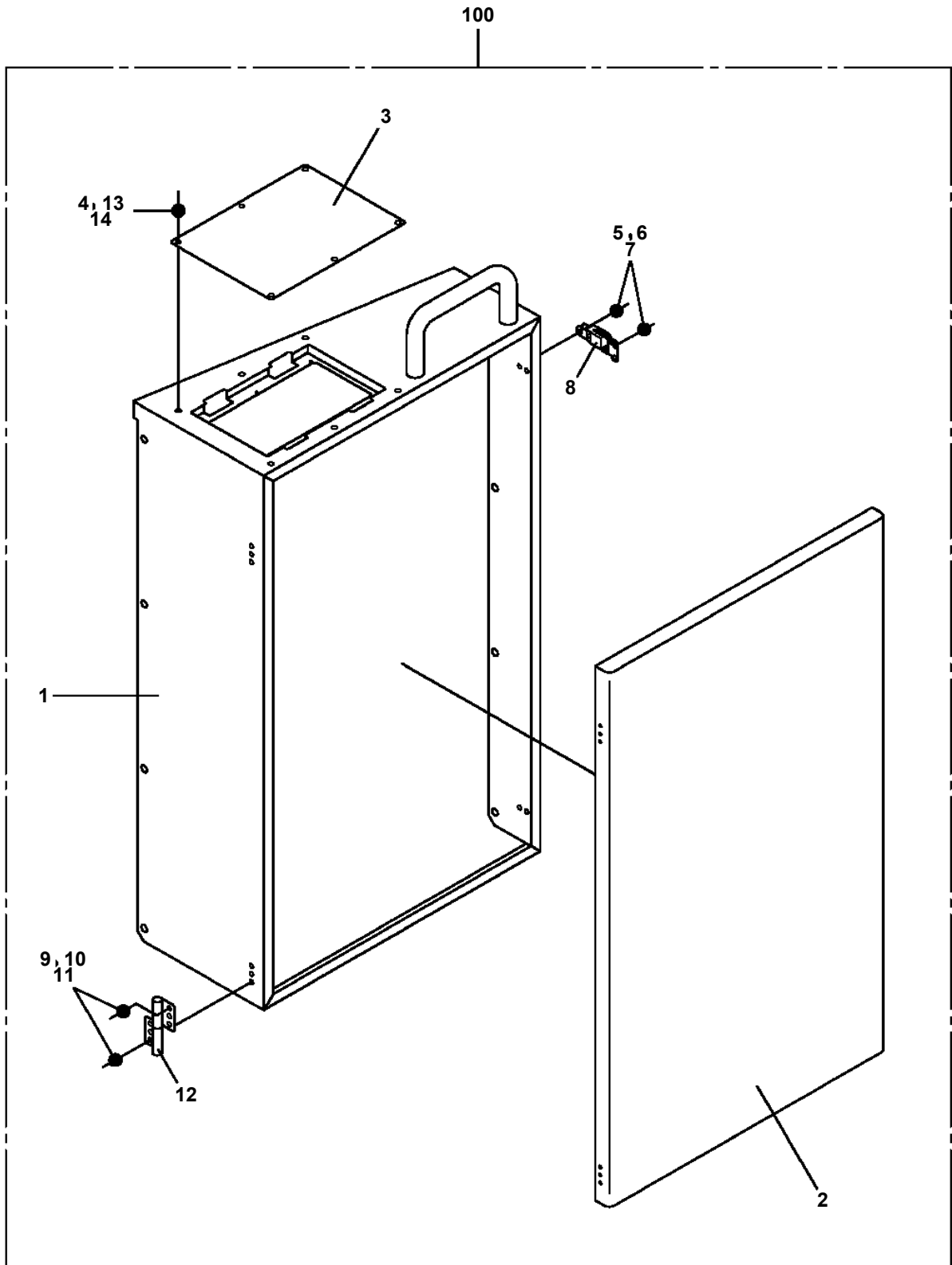
AT-147-3 43010100002 UPPER
PC1380015-01 DETECTOR,OUTRIGGER LENGTH



AT-147-3 4301010002 UPPER

| Pos No. | Parts No | Parts Name | Qty | Unit | Technical Data | Serial No (Start) | Serial No (End) |
|---------|-------------|-------------------------------|-----|------|----------------|-------------------|-----------------|
| 1 | 42614463102 | CASE,INNER | 1 | | | | |
| 2 | 42613351200 | CASE,INNER (JACK) | 1 | | | | |
| 4 | 36035100000 | CYLINDER,JACK | 1 | | | | |
| 5 | 42502970200 | FLOAT ASSY | 1 | | | | |
| 6 | 37000171720 | PIN | 1 | | | | |
| 7 | 80601110250 | RING,RITAINING | 2 | | S25 | | |
| 8 | 37000169010 | PIN | 1 | | 30 | | |
| 9 | 80601110300 | RING,RITAINING | 2 | | S30 | | |
| 10 | 36625740001 | VALVE,CHECK | 1 | | | | |
| 11 | 90171108055 | BOLT | 4 | | M8X55 | | |
| 12 | 37000138750 | PIN | 1 | | 18 | | |
| 13 | 80136332036 | PIN,SPLIT | 2 | | 3.2X36 | | |
| 14 | 80400160127 | JOINT | 1 | | | | |
| 15 | 91002801100 | O-RING | 1 | | 1B P11 | | |
| 16 | 36672460000 | FILTER (NIPPLE TYPE) | 1 | | | | |
| 17 | 42612851010 | COVER | 1 | | | | |
| 18 | 90186206014 | BOLT,FLANGE | 2 | | M6X14 | | |
| 19 | 37000112320 | PIN | 1 | | | | |
| 20 | 80601110120 | RING,RITAINING | 2 | | S12 | | |
| 21 | 91810130240 | FASTENER | 2 | | | | |
| 22 | 31201770100 | PLATE,SLIDE | 8 | | T=3.0 | | |
| 23 | 90280200600 | NUT,FLANGE | 1 | | M6 | | |
| 24 | 37000600700 | CLAMP | 1 | | 12X3 | | |
| 25 | 82467300106 | PLUG | 4 | | | | |
| 41 | 36042810000 | CYLINDER,EXTENSION (FRONT) | 1 | | | | |
| 42 | 80400160127 | JOINT | 2 | | | | |
| 43 | 91002801100 | O-RING | 3 | | 1B P11 | | |
| 44 | 37002485300 | HOSE | 1 | | L=1805 | | |
| 45 | 42612853350 | HARNESS | 1 | | | | |
| | 42614053350 | HARNESS | 1 | | | 590393 | 590392 |
| 46 | 91810130240 | FASTENER | 13 | | | | |
| 63 | 42612851420 | TRUNNION | 1 | | | | |
| 100 | 42614463004 | CASE ASSY,INNER (FRONT,RIGHT) | 1 | | | | |

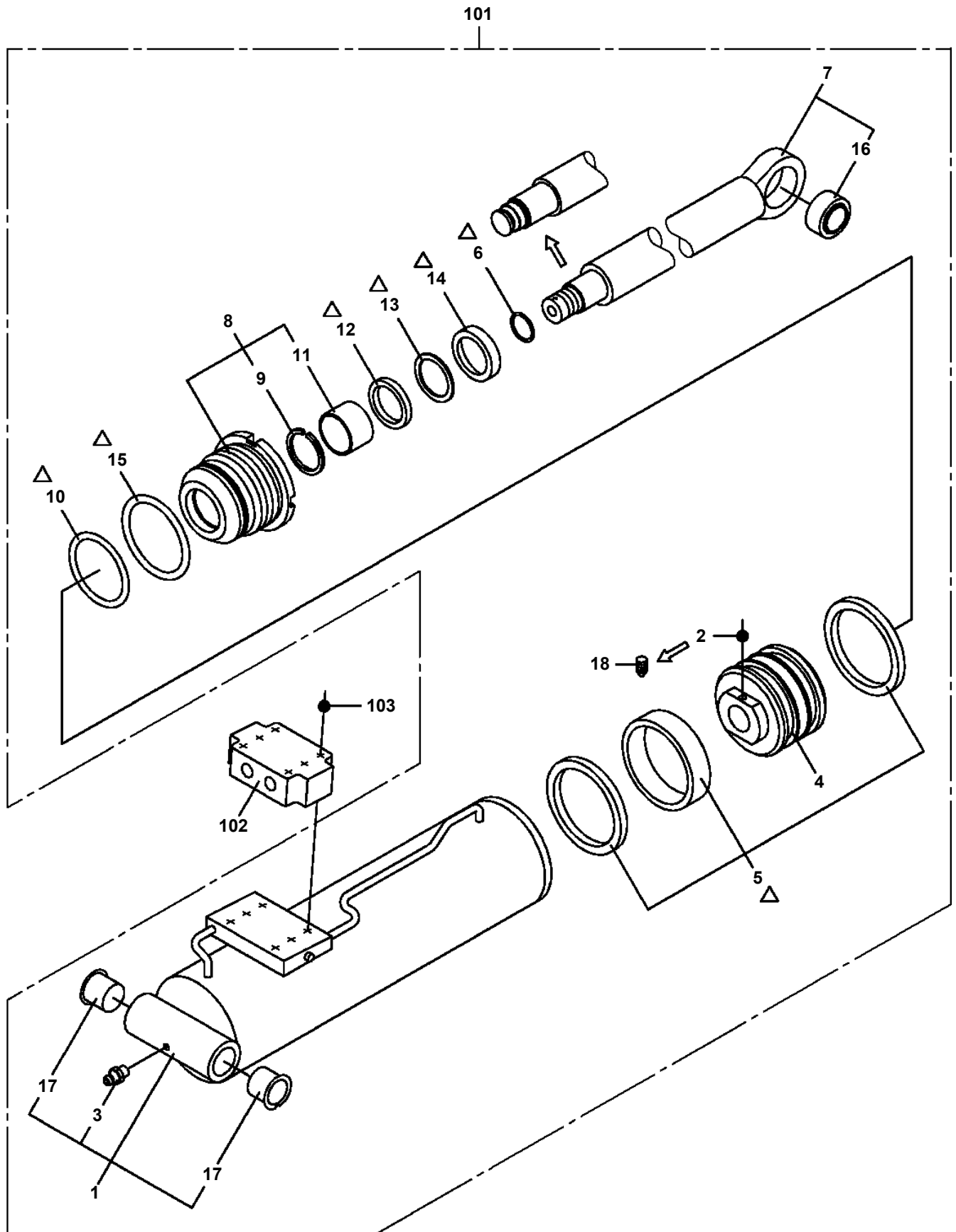
AT-147-3 43010100002 UPPER
PC5570025-00 COVER ASSY



AT-147-3 43010100002 UPPER

| Pos No. | Parts No | Parts Name | Qty | Unit | Technical Data | Serial No (Start) | Se |
|---------|-------------|---|-----|------|----------------|-------------------|----|
| 1 | 42972390000 | CUTTER HEAD ASSY (YONDENKO/SAFETY HOSE) | 1 | | | | |

**AT-147-3 43010100002 UPPER
PE1050149-01 CYLINDER,LEVELING (UPPER)**

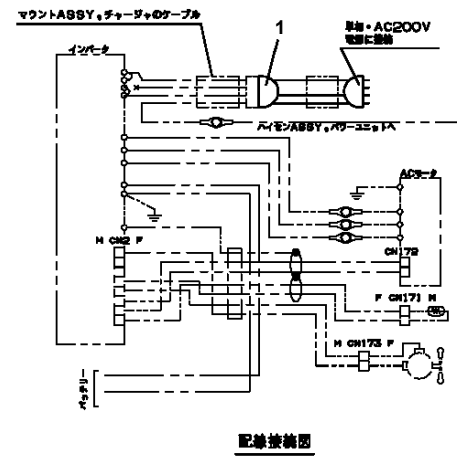
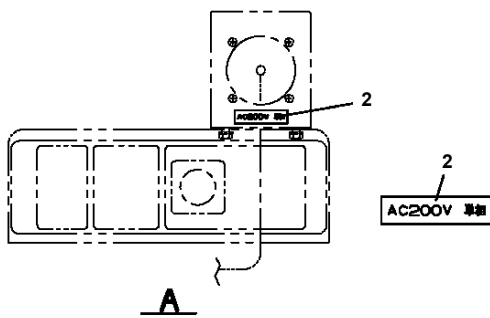
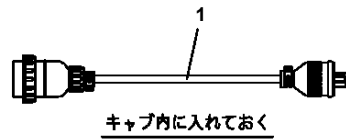
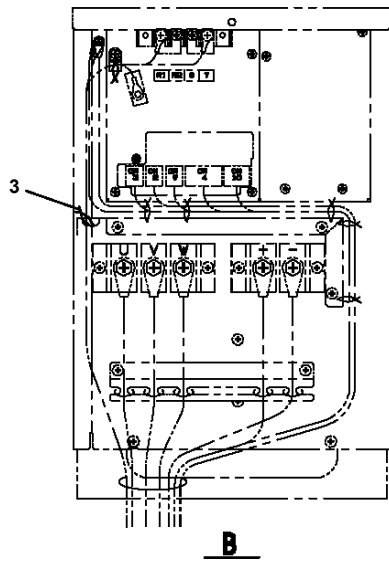
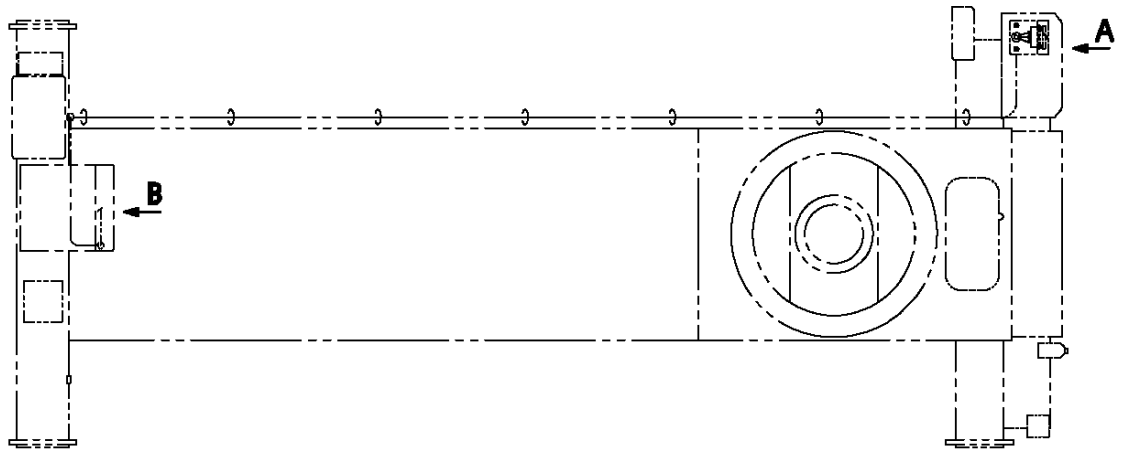


△:PACKING SET KEY NO.41 (KEY NO.5,6,10,12,13,14,15)

AT-147-3 43010100002 UPPER

| Pos No. | Parts No | Parts Name | Qty | Unit | Technical Data | Serial No (Start) | Serial No (End) | R |
|---------|-------------|-------------------------------|-----|------|----------------|-------------------|-----------------|---|
| 1 | 42502782010 | PLATE,NAME | 1 | | | | | |
| 2 | 42736070100 | SWITCH ASSY (WITH HARNESS) | 1 | | | | | |
| 4 | 42502852100 | HARNESS | 1 | | | | | |
| 5 | 91810130230 | FASTENER | 2 | | | | | |
| 6 | 42506731100 | PLATE | 1 | | | | | |
| 7 | 82100000665 | CAP (BLACK) | 1 | | | | | |
| 8 | 91810132530 | FASTENER | 20 | | | | | |
| 9 | 42474421100 | SWITCH | 1 | | | | | |
| 10 | 90201200600 | NUT | 4 | | M6 | | | |
| 11 | 90302040601 | WASHER,SPRING | 4 | | 6 | | | |
| 13 | 89671101500 | TUBE | 1 | | L=1500 | | | |
| 14 | 42392583090 | PLATE,CAUTION | 1 | | | | | |
| 15 | 42503390200 | LAMP ASSY (DC12V RED) | 1 | | | | | |
| 16 | 42502852010 | PLATE,NAME | 1 | | | | | |
| 17 | 42502852020 | PLATE,NAME | 1 | | | | | |
| 18 | 42502852203 | HARNESS | 1 | | | 590399 | | |
| 19 | 42470400100 | JOINT,SELF SEALING (WITH CAP) | 1 | | | | | |
| 20 | 42473440020 | JOINT | 1 | | | | | |
| 21 | 90183106020 | BOLT | 3 | | M6X20 | | | |
| 22 | 90303070601 | WASHER,PLAIN | 3 | | 6 | | | |
| 41 | 42470407570 | CAP | 1 | | | | | |

AT-147-3 43010100002 UPPER
PE5080006-00 ELEC.ASSY,CHARGER (SINGLE-PHASE.200V CHARGER CABLE)



AT-147-3 43010100002 UPPER

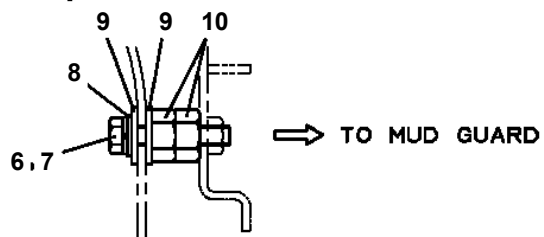
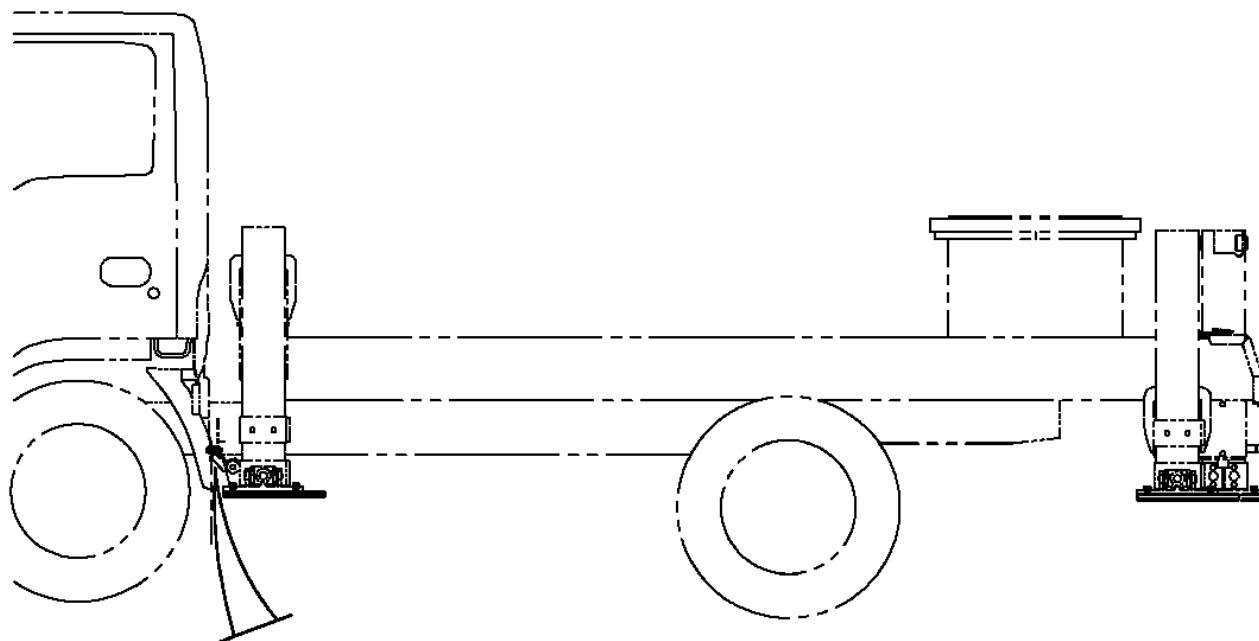
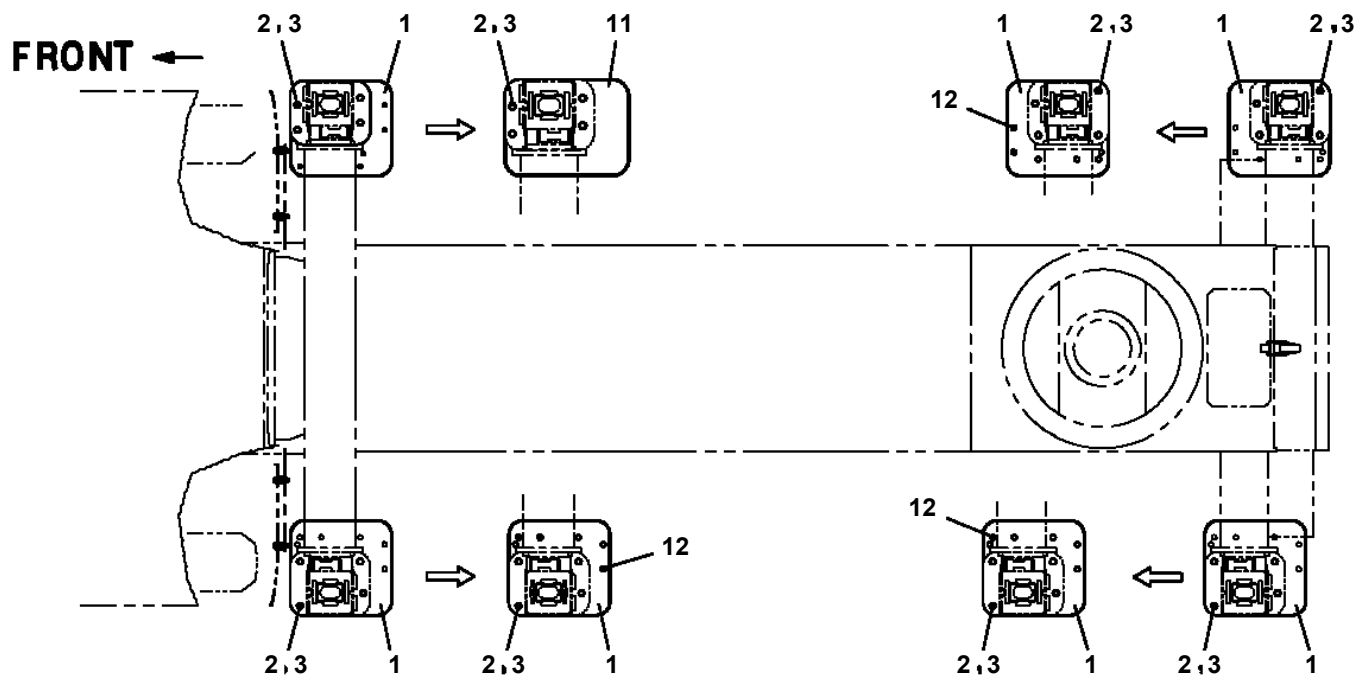
| Pos No. | Parts No | Parts Name | Qty | Unit | Technical Data | Serial No (Start) | Serial No (End) | Remarks | Pages |
|---------|-------------|--------------|-----|------|----------------|-------------------|-----------------|---------|-------|
| 1 | 42220011200 | SUPPORT | 1 | | | | | | |
| 2 | 90201201600 | NUT | 1 | | M16 | | | | |
| 3 | 90303071601 | WASHER,PLAIN | 1 | | 16 | | | | |

AT-147-3 43010100002 UPPER

| Pos No. | Parts No | Parts Name | Qty | Unit | Technical Data | Serial No (Start) | Serial I |
|---------|----------|---|-----|------|----------------|-------------------|----------|
| 1 | (*****) | WINCH,JIB (FRP/INTEGRATED SUPPORT,GRAY) | 1 | | | | |
| 2 | (*****) | CHARGER INSTALLATION (MECHANICAL ARM) | 1 | | | | |
| 3 | (*****) | ARM (REPLACE PLATE,SLIDE) | 1 | | | | |

AT-147-3 4301010002 UPPER PF5050001-04 FLOAT ASSY (FOR STD JACK/LARGE SIZE RUBBER)

※ 6 ~ 10 材の取付けは必ず架装のみ実施のこと。日野・トヨタ・三菱架装は不要。



必ず架装

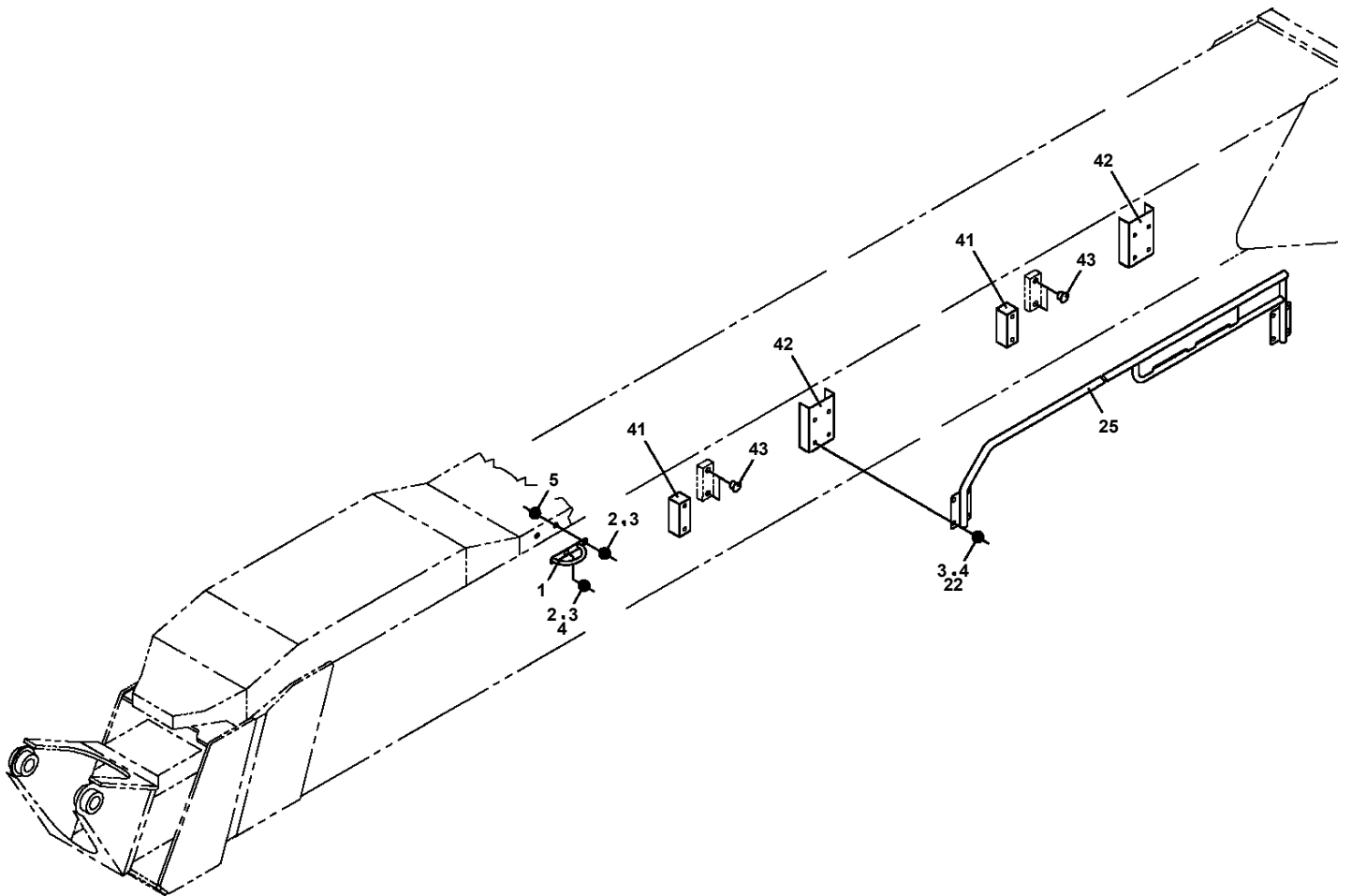
AT-147-3 4301010002 UPPER

| Pos No. | Parts No | Parts Name | Qty | Unit | Technical Data | Serial No (Start) | Serial N |
|---------|-------------|--------------------------------------|-----|------|----------------|-------------------|----------|
| 1 | 91660005501 | SEAL,DUST | 1 | | | | |
| 2 | 36018269510 | COVER,ROD | 1 | | | | |
| 3 | 91002908500 | O-RING | 1 | | 1B G85 | | |
| 4 | 91301105500 | BEARING,PLAIN | 1 | | | | |
| 5 | 91410205501 | RING,BACKUP | 1 | | | | |
| 6 | 91694005500 | PACKING | 1 | | | | |
| 7 | 91251100550 | RING,DAMPER | 1 | | DR-55 | | |
| 8 | 91411107500 | RING,BACKUP | 1 | | | | |
| 9 | 91002907500 | O-RING | 1 | | 1B G75 | | |
| 10 | 80801005530 | BEARING,PLAIN | 1 | | | | |
| 11 | 80612110600 | RING,RITAINING | 1 | | AR60 | | |
| 12 | 36018262000 | ROD | 1 | | | | |
| 13 | 36018261001 | CYLINDER | 1 | | | | |
| 14 | 91002903000 | O-RING | 1 | | 1B G30 | | |
| 15 | 36013980400 | PISTON | 1 | | | | |
| 16 | 91411206201 | RING,BACKUP | 2 | | | | |
| 17 | 91684007501 | PACKING | 2 | | | | |
| 18 | 91302207500 | BEARING,PLAIN | 2 | | | | |
| 19 | 90302043001 | WASHER,SPRING | 1 | | 30 | | |
| 20 | 90209403000 | NUT | 1 | | M30 | | |
| 21 | 37001101980 | ROLLER ASSY (WITH BEARING/ASSY ONLY) | 1 | | | | |
| 22 | 36011560200 | SPACER | 2 | | | | |
| 23 | 37000154450 | PIN | 1 | | | | |
| 24 | 80601110250 | RING,RITAINING | 2 | | S25 | | |
| 41 | 36015959900 | PACKING SET | 1 | | 55X75 | | |
| 100 | 36018260001 | CYLINDER ASSY,TELESCOPING | 1 | | | | |

AT-147-3 43010100002 UPPER

| Pos No. | Parts No | Parts Name | Qty | Unit | Technical Data | Serial No (Start) | Serial No (End) | Remarks | Pages |
|---------|-------------|---------------|-----|------|----------------|-------------------|-----------------|---------|--------|
| 1 | 42443241000 | SUPPORT ASSY | 1 | | | | | | |
| 3 | 90101210022 | BOLT | 4 | | M10X22 | | | | |
| 4 | 90302041001 | WASHER,SPRING | 4 | | 10 | | | | |
| 5 | 90303071001 | WASHER,PLAIN | 2 | | 10 | | | | |
| 6 | 42443243002 | SUPPORT ASSY | 1 | | | | | | |
| 7 | 37000562510 | PLATE | 2 | | T=0.5 | | | | |
| 31 | 42443241100 | SUPPORT | 1 | | | | | | |
| 32 | 82400000393 | INSULATOR | 1 | | | | | | |
| 33 | 80172804014 | SCREW,MACHINE | 1 | | M4X14 | | | | |
| 34 | 90302510401 | WASHER,SPRING | 1 | | 4 | | | | |
| 35 | 90303520401 | WASHER,PLAIN | 1 | | 4 | | | | 000370 |

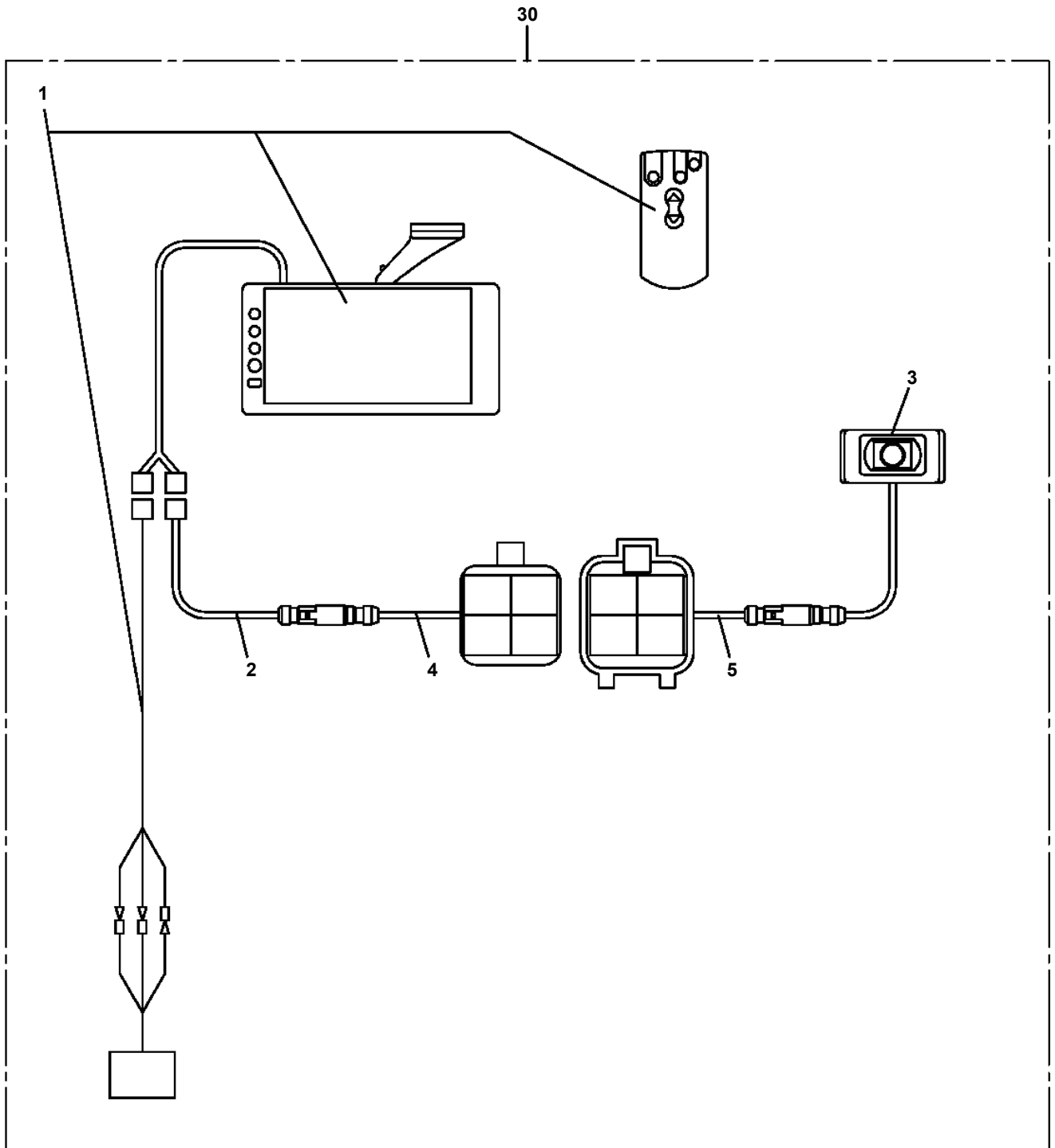
**AT-147-3 43010100002 UPPER
PG5240007-00 GUIDE ASSY (KANDENKO/BOOM SIDE HOOK GUIDE RAIL)**



AT-147-3 43010100002 UPPER

| Pos No. | Parts No | Parts Name | Qty | Unit | Technical Data | Serial No (Start) | Serial No (End) | Remarks |
|---------|-------------|----------------------|-----|------|----------------|-------------------|-----------------|---------|
| 1 | 44550527580 | SWITCH,MICRO | 1 | | | | | |
| 2 | 44550527570 | COVER | 1 | | | | | |
| 3 | 44350247560 | SPRING (FOR PEDAL) | 1 | | | | | |
| 4 | 82109901050 | PEDAL | 1 | | | | | |
| 5 | 82109905010 | PACKING | 1 | | | | | |
| 6 | 44350247580 | PLATE (WITH SCREW) | 1 | | | | | |
| 22 | 82116920408 | CONNECTOR | 1 | | | | | |
| 23 | 82122910100 | CAP | 1 | | | | | |
| 100 | 42476260000 | FOOT SWITCH (OPTION) | 1 | | | | | |

**AT-147-3 43010100002 UPPER
PH1700241-00 VIEW SYSTEM (MAIN UNIT)**

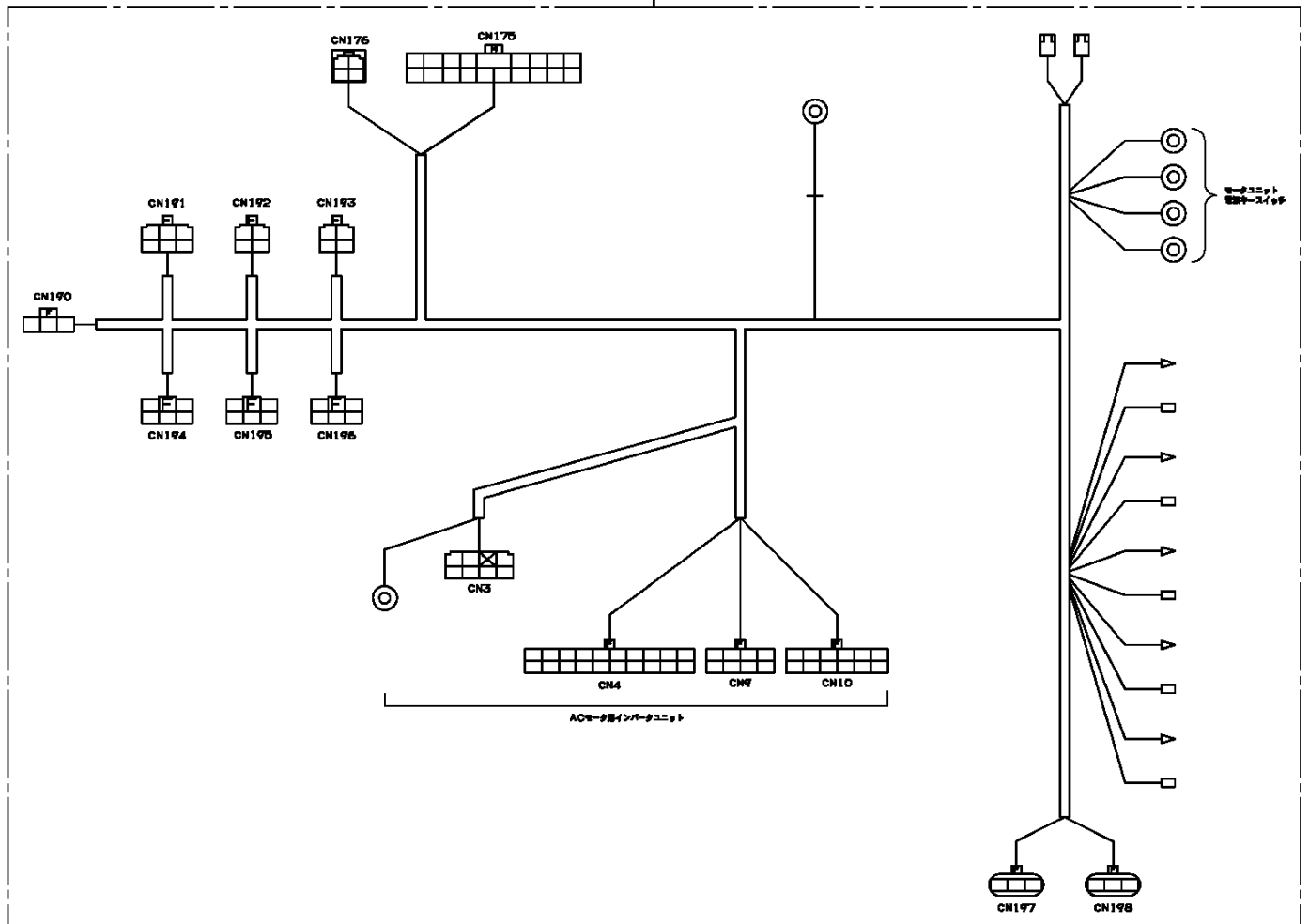


AT-147-3 43010100002 UPPER

| Pos No. | Parts No | Parts Name | Qty | Unit | Technical Data | Serial No (Start) | Serial No (End) | Remarks |
|---------|-------------|---------------------|-----|------|----------------|-------------------|-----------------|---------|
| 2 | 42739697510 | CABLE ASSY | 1 | | | | | |
| 3 | 42739697540 | CABLE ASSY | 1 | | | | | |
| 4 | 42739697520 | CLIP | 1 | | | | | |
| 5 | 42739697530 | REMOTE CONTROL ASSY | 1 | | | | | |
| 100 | 42739931110 | DISPLAY | 1 | | | | | |

AT-147-3 43010100002 UPPER
PH5030199-00 HARNESS

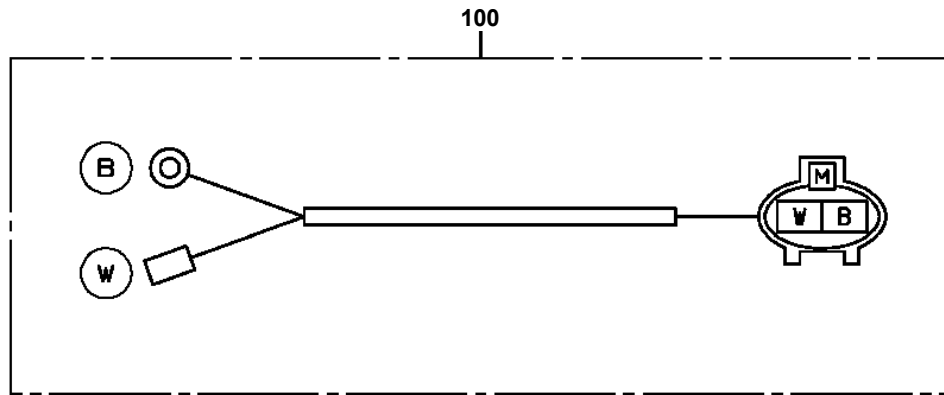
10



AT-147-3 43010100002 UPPER

| Pos No. | Parts No | Parts Name | Qty | Unit | Technical Data | Serial No (Start) | Serial No (End) | Remarks | Pages |
|---------|-------------|------------|-----|------|----------------|-------------------|-----------------|---------|-------|
| 100 | 42504752301 | HARNESS | 1 | | | | | | |

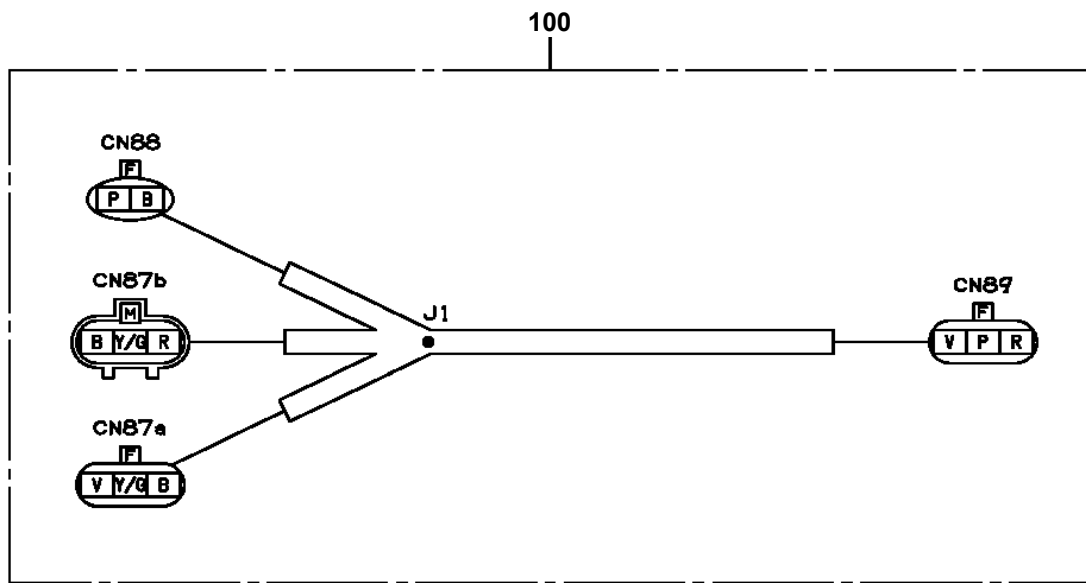
**AT-147-3 43010100002 UPPER
PH5031072-00 HARNESS**



AT-147-3 43010100002 UPPER

| Pos No. | Parts No | Parts Name | Qty | Unit | Technical Data | Serial No (Start) | Serial No (End) | Remarks | Pages |
|---------|-------------|---------------|-----|------|----------------|-------------------|-----------------|---------|-------|
| 11 | 82105900010 | SWITCH,TOGGLE | 1 | | | | | | |
| 12 | 82100000665 | CAP (BLACK) | 1 | | | | | | |
| 100 | 42503390102 | HARNESS | 1 | | | | | | |

AT-147-3 43010100002 UPPER
PH5031089-00 HARNESS

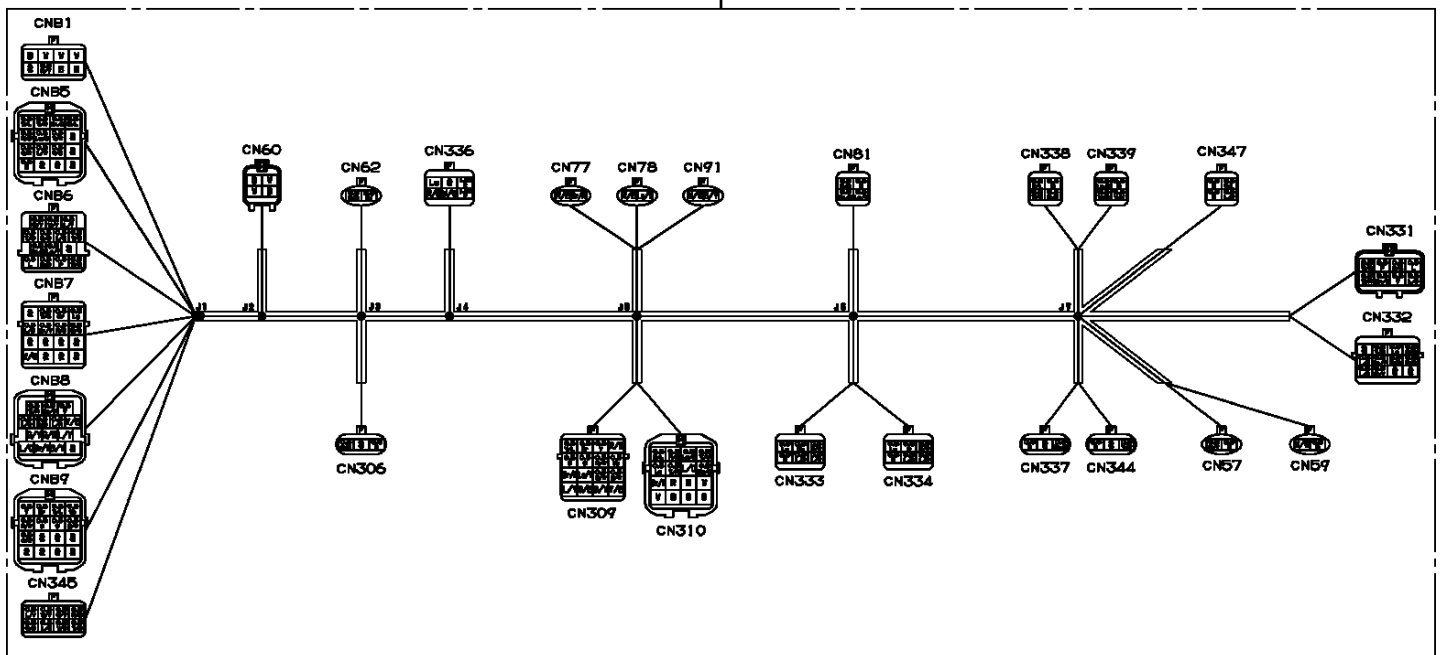


AT-147-3 43010100002 UPPER

| Pos No. | Parts No | Parts Name | Qty | Unit | Technical Data | Serial No (Start) | Serial No (End) | Remarks | Pages |
|---------|-------------|------------|-----|------|----------------|-------------------|-----------------|---------|-------|
| 100 | 42612851350 | HARNESS | 1 | | | | | | |

AT-147-3 43010100002 UPPER PH5032332-00 HARNESS

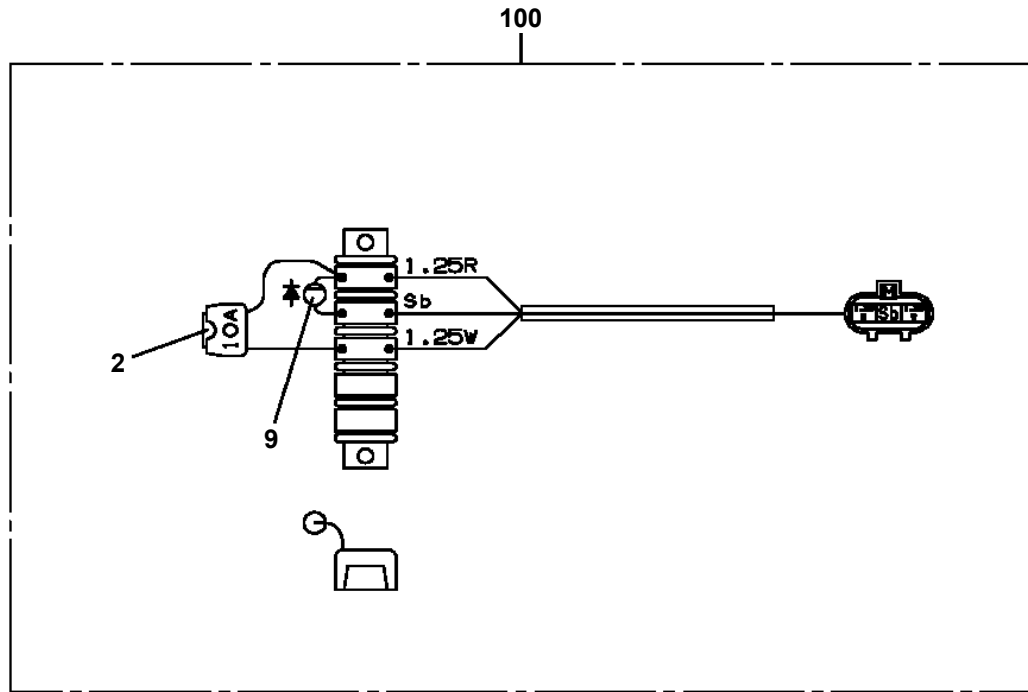
100



AT-147-3 43010100002 UPPER

| Pos No. | Parts No | Parts Name | Qty | Unit | Technical Data | Serial No (Start) | Serial No (End) | Remarks | Pages |
|---------|-------------|------------|-----|------|----------------|-------------------|-----------------|---------|-------|
| 100 | 42357160100 | HARNESS | 1 | | | | | | |

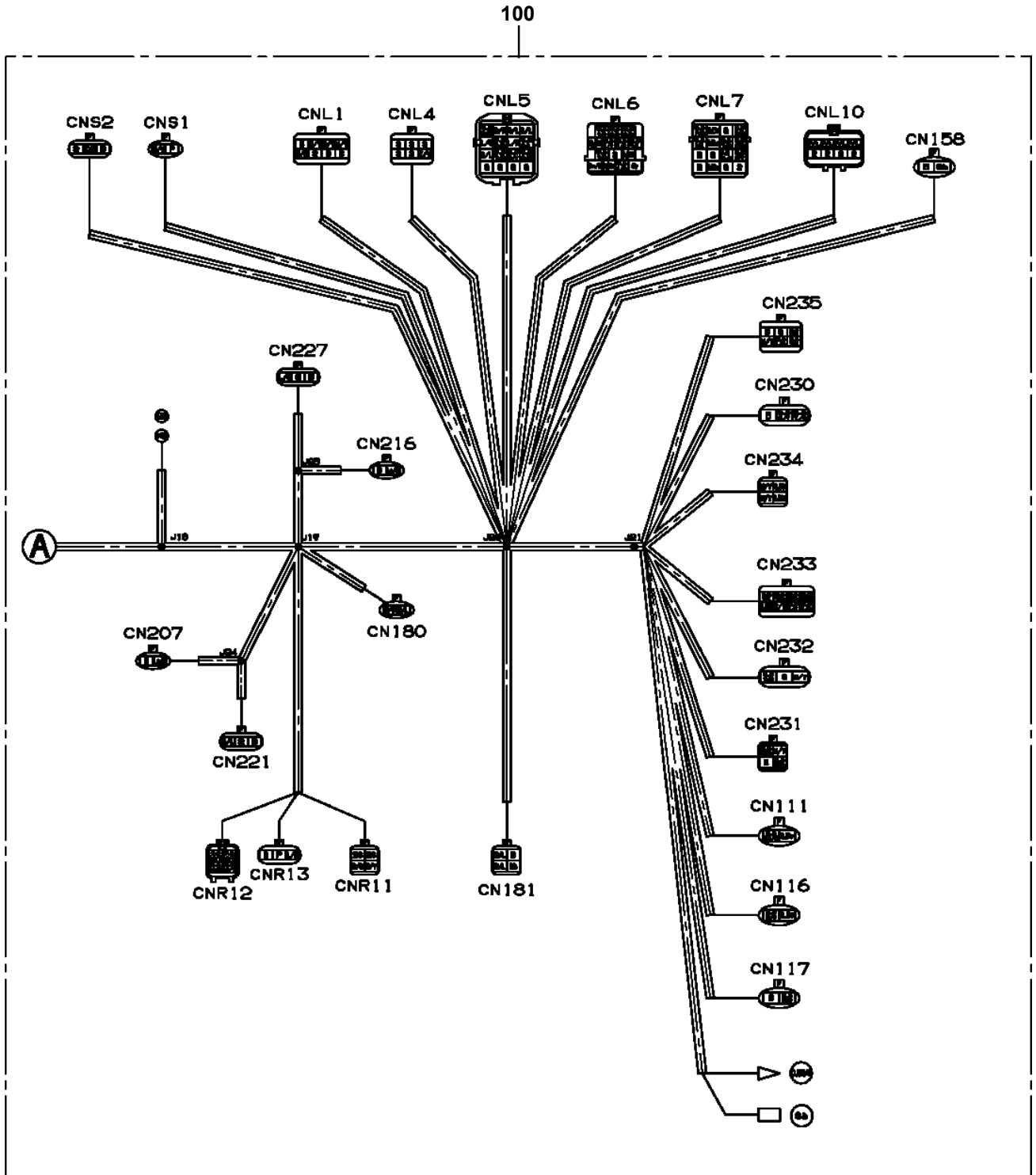
AT-147-3 43010100002 UPPER
PH5032348-01 HARNESS



AT-147-3 43010100002 UPPER

| Pos No. | Parts No | Parts Name | Qty | Unit | Technical Data | Serial No (Start) | Serial No (End) | Remarks | Pages |
|---------|-------------|------------|-----|------|----------------|-------------------|-----------------|---------|-------|
| 100 | 42504641200 | HARNESS | 1 | | | | | | |

AT-147-3 43010100002 UPPER PH5033350-00 HARNESS (MAIN)

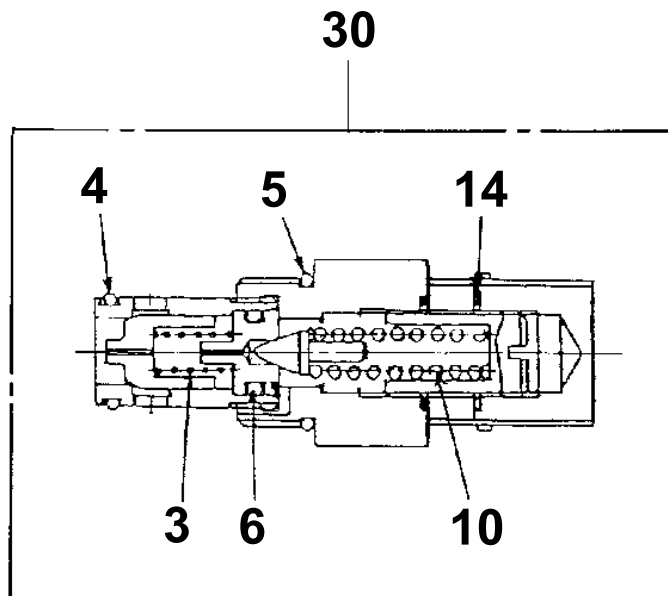


AT-147-3 43010100002 UPPER

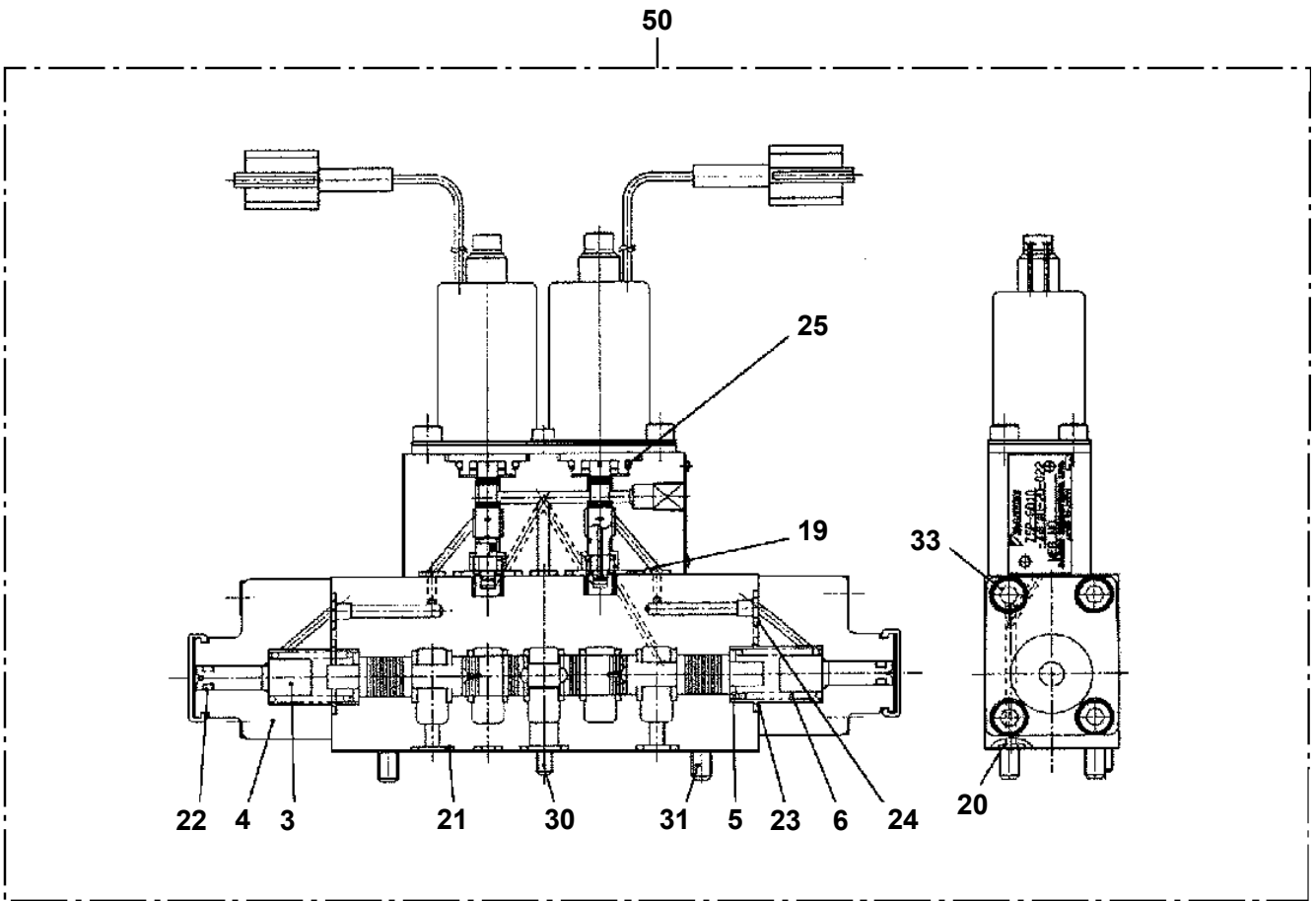
| Pos No. | Parts No | Parts Name | Qty | Unit | Technical Data | Serial No (Start) | Serial No (End) | Remarks | Pages |
|---------|-------------|------------|-----|------|----------------|-------------------|-----------------|---------|-------|
| 100 | 42354820200 | HARNESS | 1 | | | | | | |

AT-147-3 43010100002 UPPER
PI1100061-00 VALVE,RELIEF

Assembly Name VALVE, RELIEF



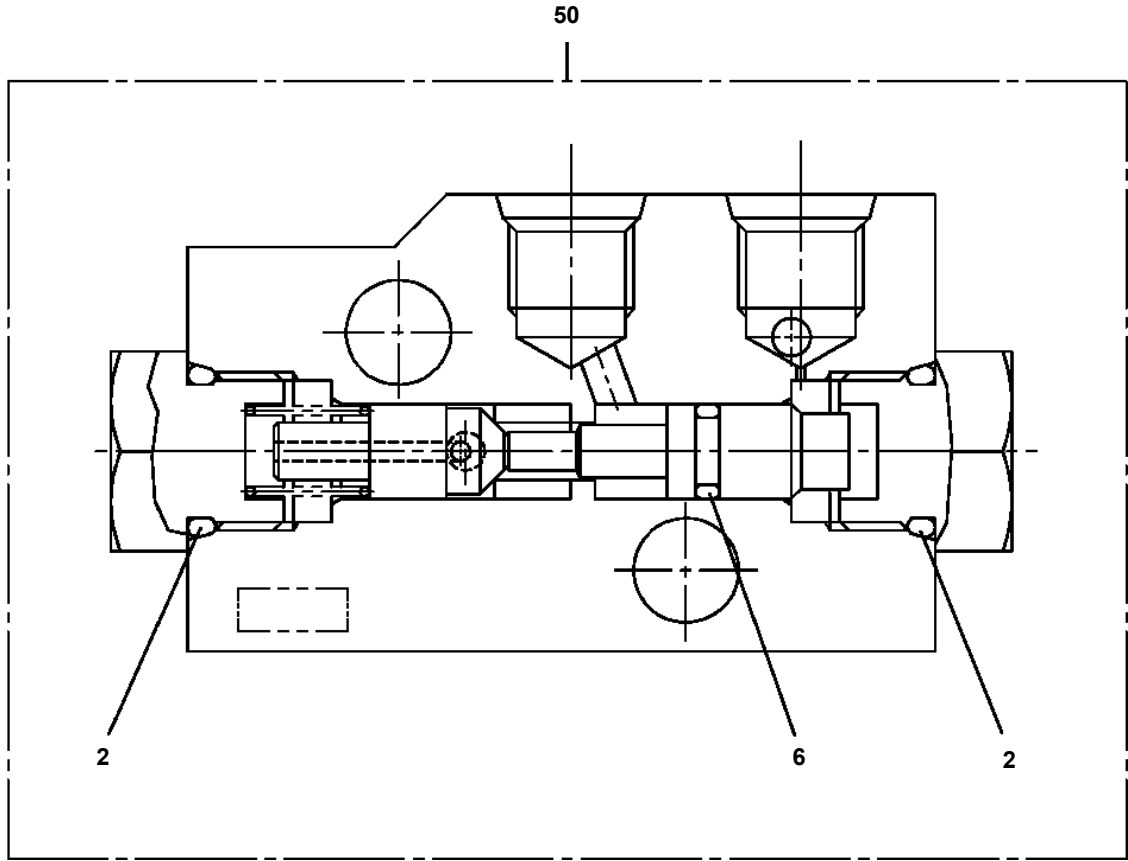
**AT-147-3 43010100002 UPPER
PI1120224-00 VALVE,SOLENOID**



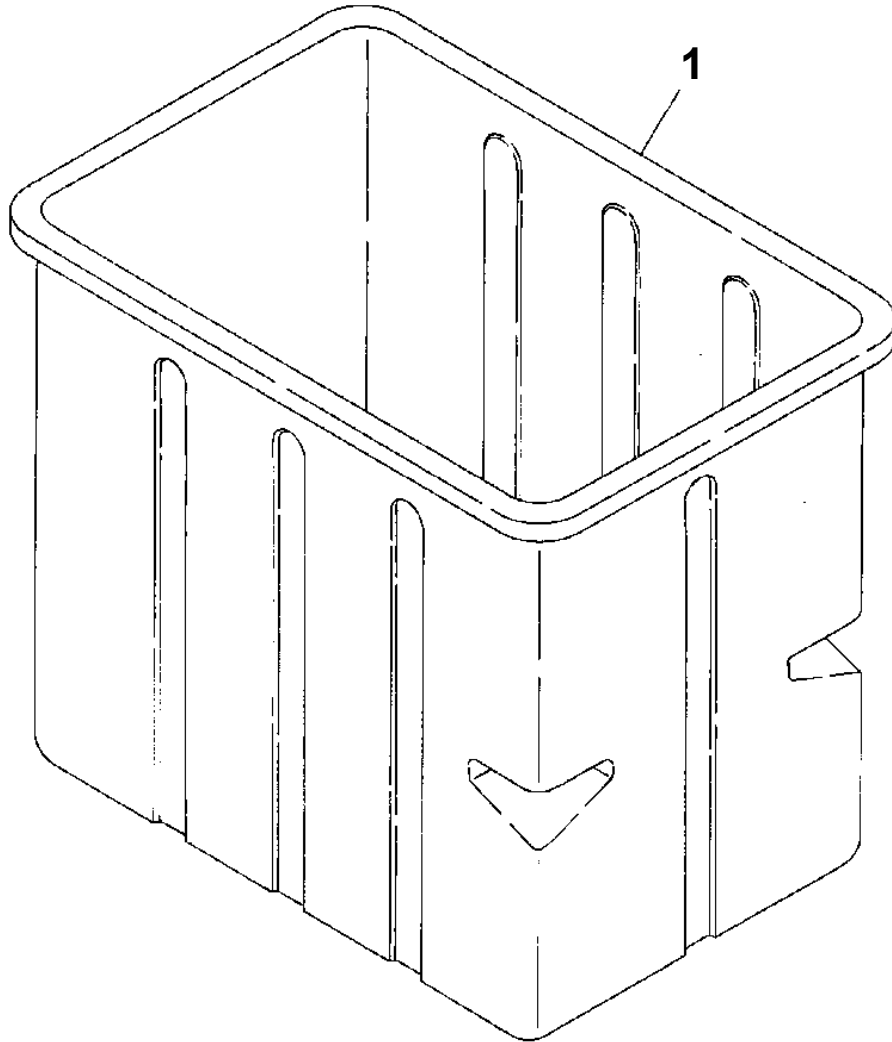
AT-147-3 43010100002 UPPER

| Pos No. | Parts No | Parts Name | Qty | Unit | Technical Data | Serial No (Start) | Serial No (End) | Remarks | Pages |
|---------|-------------|-------------|-----|------|----------------|-------------------|-----------------|---------|-------|
| 11 | 91001101200 | O-RING | 2 | | 1A P12 | | | | |
| 23 | 36624110300 | SEAT | 2 | | | | | | |
| 24 | 36624110400 | SPRING | 2 | | | | | | |
| 26 | 36624110600 | PISTON | 1 | | | | | | |
| 28 | 91001101800 | O-RING | 2 | | 1A P18 | | | | |
| 30 | 36624111000 | PACKING | 2 | | | | | | |
| 31 | 36624111100 | O-RING | 1 | | P12 | | | | |
| 41 | 36624110100 | BODY | 1 | | | | | | |
| 42 | 36624110200 | PLUG | 2 | | | | | | |
| 45 | 36624110501 | PLUNGER | 2 | | | | | | |
| 100 | 36624110000 | VALVE,CHECK | 1 | | | | | | |

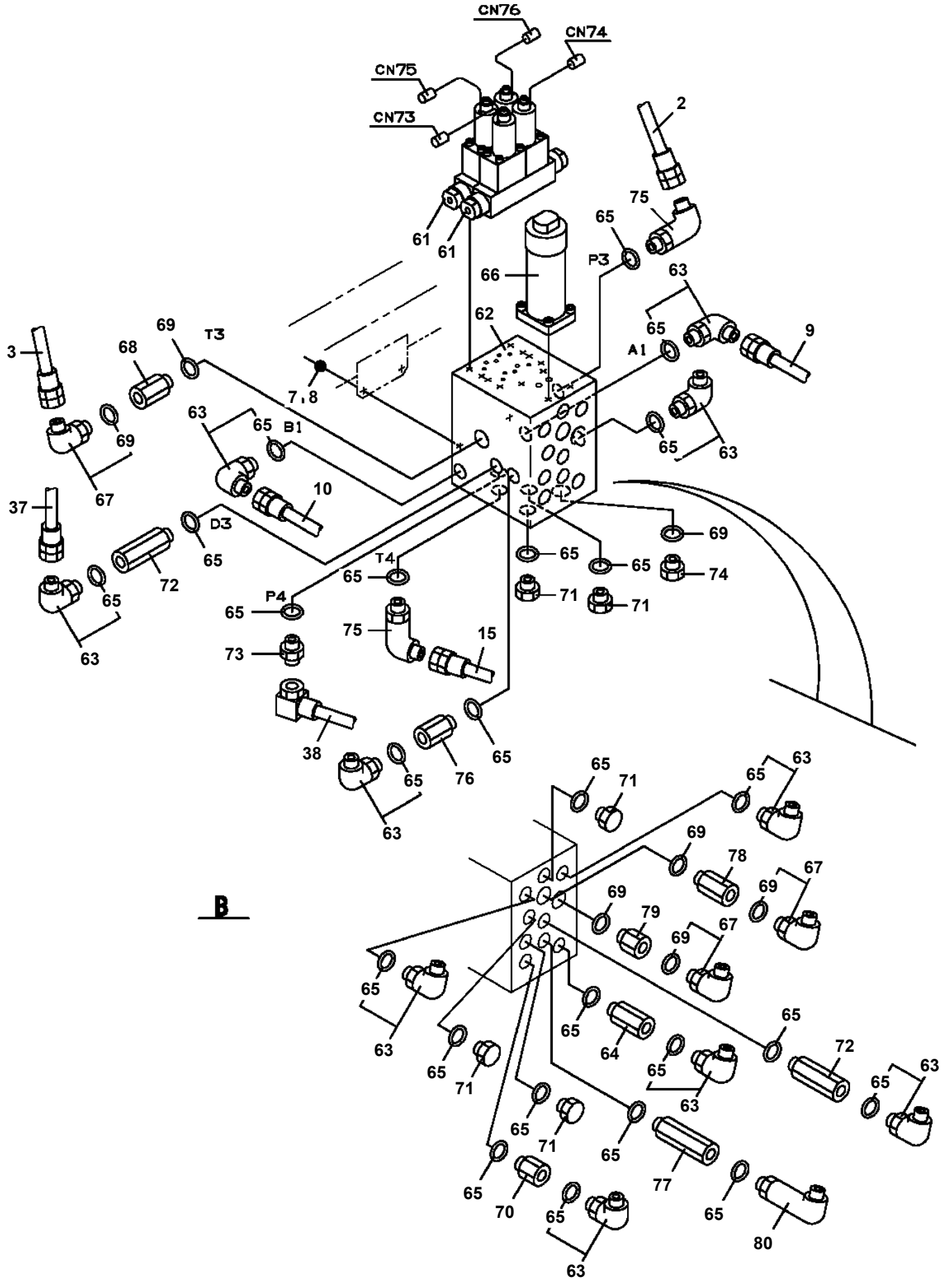
**AT-147-3 43010100002 UPPER
PI1280051-00 VALVE,PILOT CHECK**



**AT-147-3 43010100002 UPPER
PJ3010108-00 BUCKET (INNER CASE)**



AT-147-3 43010100002 UPPER
PJ3200092-01 PIPING,BUCKET



AT-147-3 4301010002 UPPER

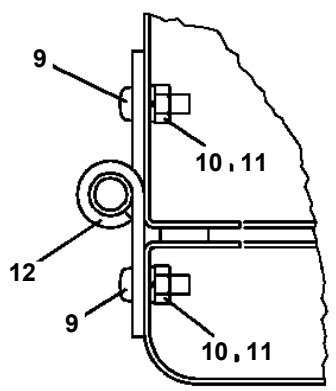
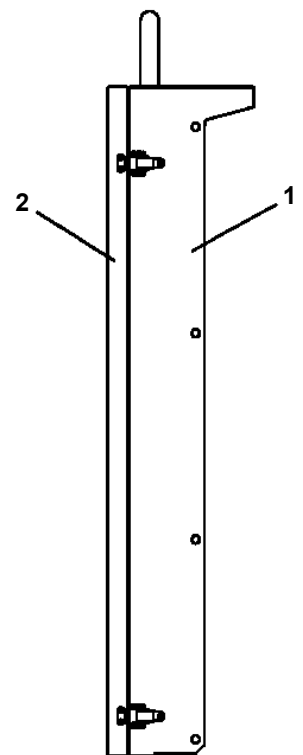
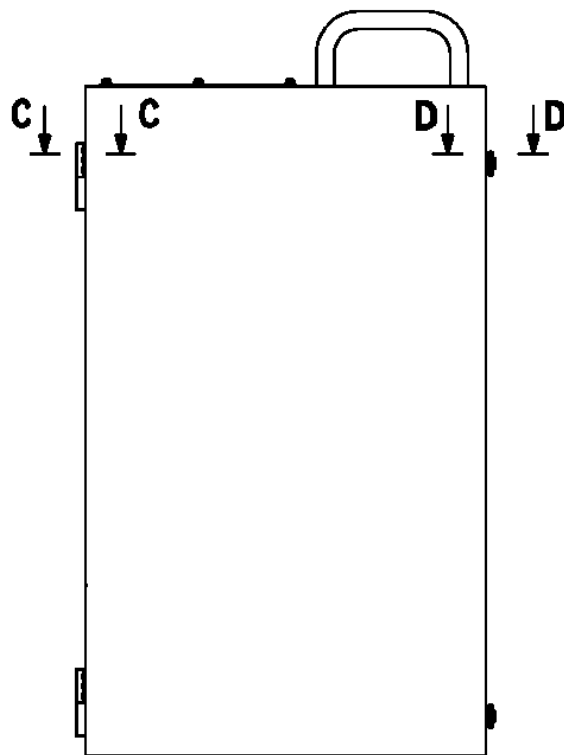
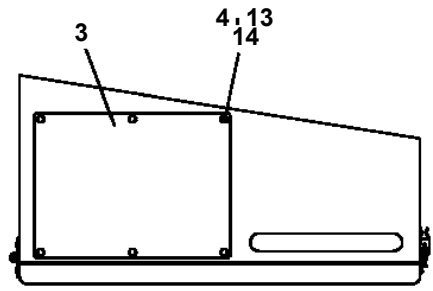
| Pos No. | Parts No | Parts Name | Qty | Unit | Technical Data | Serial No (Start) | Serial No (End) | Remarks |
|---------|-------------|------------------------|-----|------|----------------|-------------------|-----------------|---------|
| 1 | 36663410000 | MOTOR,HYDRAULIC | 1 | | | | | |
| 2 | 90172112030 | BOLT,HEXAGON SOCKET | 2 | | M12X30 | | | |
| 3 | 90309341203 | WASHER,SPRING | 2 | | 12 | | | |
| 4 | 36340380000 | REDUCER,SWING SPEED | 1 | | | | | |
| 5 | 80582012001 | CAM FOLLOWER | 4 | | | | | |
| 6 | 37002018370 | PLATE,SLIDE | 4 | | | | 590279 | |
| | 37002019140 | PLATE,SLIDE | 4 | | | 590280 | | |
| 7 | 37000587120 | PLATE | 4 | | | | | |
| 8 | 90302042001 | WASHER,SPRING | 4 | | 20 | | | |
| 9 | 90171110025 | BOLT | 4 | | M10X25 | | | |
| 10 | 90201781000 | NUT | 4 | | M10 | | | |
| 11 | 80601111000 | RING,RETAINING | 1 | | S100 | | | |
| 12 | 42267120400 | SPACER | 1 | | | | | |
| 13 | 42267120200 | PIN | 1 | | | | | |
| 14 | 42267120100 | PLATE | 1 | | | | | |
| 15 | 37000582110 | PLATE | 1 | | | | | |
| 16 | 90180206012 | BOLT,BUTTON | 2 | | M6X12 | | | |
| 17 | 90302040601 | WASHER,SPRING | 2 | | 6 | | | |
| 18 | 42267120300 | SPACER | 1 | | | | | |
| 23 | 90171112070 | BOLT | 8 | | M12X70 | | | |
| 24 | 37000586760 | WASHER,PLAIN | 15 | | 12 | | | |
| 26 | 42267132001 | FRAME ASSY | 1 | | | | | |
| 27 | 42267250010 | PLATE | N | | | | | |
| 28 | 42267130100 | GEAR | 1 | | | | | |
| 29 | 90730006140 | SCREW,SET | 2 | | M6X14 | | | |
| 30 | 42267120500 | SPACER | 1 | | | | | |
| 31 | 90171112030 | BOLT | 7 | | M12X30 | | | |
| 33 | 37000118070 | PIN | 2 | | | | | |
| 34 | 90101208012 | BOLT | 2 | | M8X12 | | | |
| 35 | 90302040801 | WASHER,SPRING | 2 | | 8 | | | |
| 36 | 42267123000 | CYLINDER,LIFT (BUCKET) | 1 | | | | 590265 | |
| | 42267123001 | CYLINDER,LIFT (BUCKET) | 1 | | | 590266 | | |
| 37 | 91850210545 | FASTENER | 1 | | L=545 | | | |
| 39 | 42261561600 | PLATE,SLIDE | 2 | | | | | |
| 40 | 37000508520 | PLATE | N | | T=0.8 | | | |
| 41 | 42267131001 | FRAME | 1 | | | | 590265 | |
| | 42267131002 | FRAME | 1 | | | 590266 | 590286 | |
| | 42267131003 | FRAME | 1 | | | 590287 | | |
| 62 | 80513006920 | BEARING,BALL | 1 | | | | | |
| 63 | 80513006922 | BEARING,BALL | 1 | | | | | |

AT-147-3 43010100002 UPPER

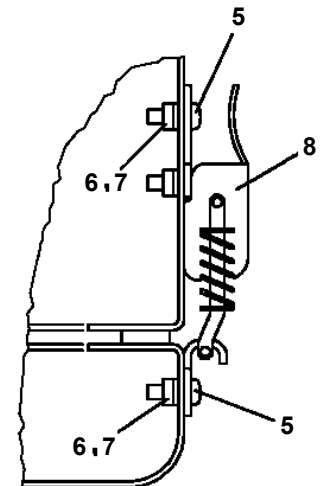
| Pos No. | Parts No | Parts Name | Qty | Unit | Technical Data | Serial No (Start) | Serial No (End) | Remarks | Pages |
|---------|-------------|------------|-----|------|----------------|-------------------|-----------------|---------|-------|
| 1 | 90183108015 | BOLT | 21 | | M8X15 | | | | |
| 2 | 42267271101 | COVER | 1 | | | | | | |
| 3 | 42267271200 | COVER | 1 | | | | | | |
| 4 | 42267271301 | COVER | 1 | | | | | | |
| 5 | 42267271400 | COVER | 1 | | | | | | |
| 6 | 42267271501 | COVER | 1 | | | | | | |
| 7 | 42267271601 | COVER | 1 | | | | | | |
| 8 | 42267271702 | COVER | 1 | | | | | | |
| 9 | 42267271010 | PLATE | 1 | | | | | | |
| 10 | 42267271800 | COVER | 1 | | | | | | |
| 11 | 90183106010 | BOLT | 6 | | M6X1.0 | | | | |
| 12 | 37000517000 | PLATE | 21 | | | | | | |

AT-147-3 43010100002 UPPER
PK1330378-00 COVER

50



C-C



D-D

CLICK HERE TO **DOWNLOAD** THE COMPLETE MANUAL

- Thank you very much for reading the preview of the manual.
- You can download the complete manual from: www.heydownloads.com by clicking the link below



- Please note: If there is no response to CLICKING the link, please download this PDF first and then click on it.

CLICK HERE TO **DOWNLOAD** THE COMPLETE MANUAL

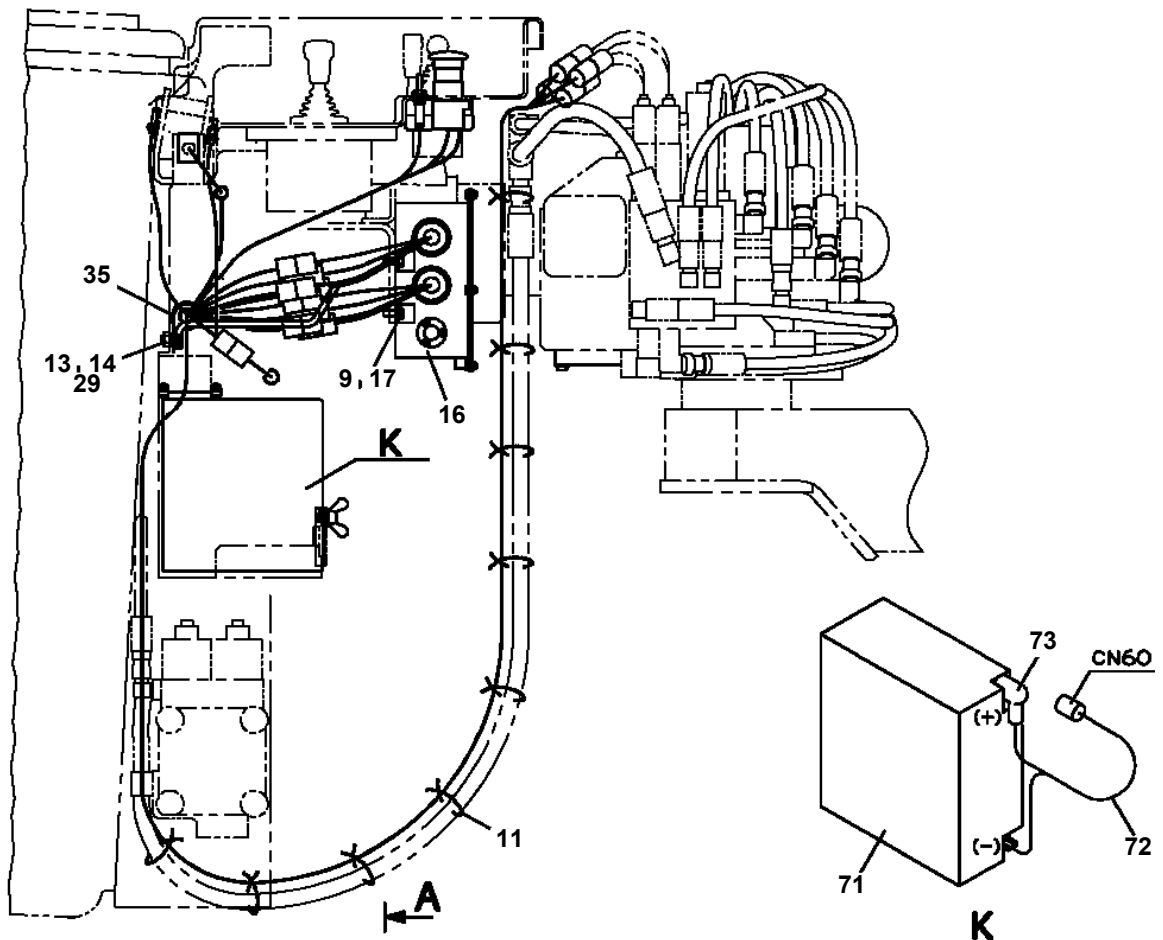
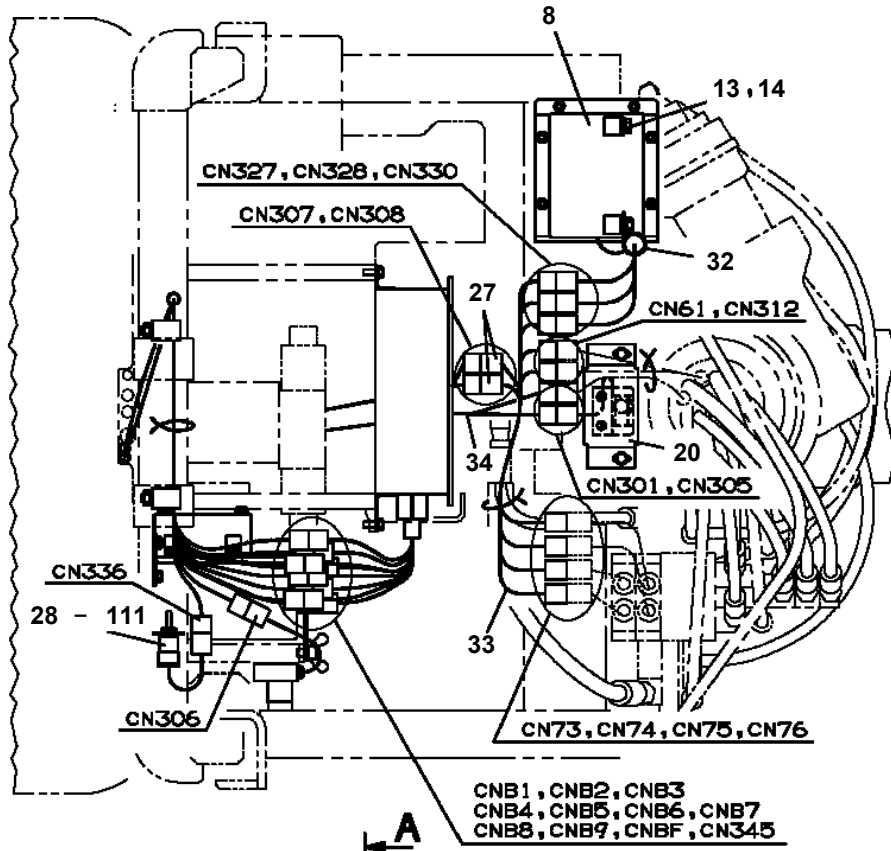
AT-147-3 4301010002 UPPER

| Pos No. | Parts No | Parts Name | Qty | Unit | Technical Data | Serial No (Start) | Serial No (End) | Remark |
|---------|-------------|---------------------------|-----|------|----------------|-------------------|-----------------|--------|
| 1 | 42332007510 | PANEL | 1 | | | | | |
| 2 | 42332007520 | COVER | 1 | | | | | |
| 3 | 42332007530 | JOY STICK,CONTROLLER | 1 | | | | | |
| 4 | 42332007540 | JOY STICK,CONTROLLER | 1 | | | | | |
| 5 | 42332007550 | JOY STICK,CONTROLLER | 1 | | | | | |
| 6 | 42331247540 | PACKING | 1 | | | | | |
| 7 | 42332007610 | PACKING | 1 | | | | | |
| 8 | 42331247630 | GROMMET | 1 | | | | | |
| 9 | 82114101030 | CONNECTOR (3P,MALE) | 8 | | | | | |
| 10 | 82121102030 | HOLDER (3P,BOTH) | 8 | | | | | |
| 11 | 82111101010 | TERMINAL | 15 | | | | | |
| 12 | 82111101018 | TERMINAL | 9 | | | | | |
| 13 | 82121101050 | PLUG (BLACK/AV0.3 TO 0.5) | 24 | | | | | |
| 14 | 80192483006 | SCREW,MACHINE | 4 | | M3X6 | | | |
| 31 | 42332007570 | BOOT | 1 | | | | | |
| 32 | 42332007580 | KNOB | 3 | | | | | |
| 33 | 42332007590 | CAP | 3 | | | | | |
| 41 | 42332007600 | BOOT | 2 | | | | | |
| 100 | 42332001000 | LEVER,CONTROL | 1 | | | | | |

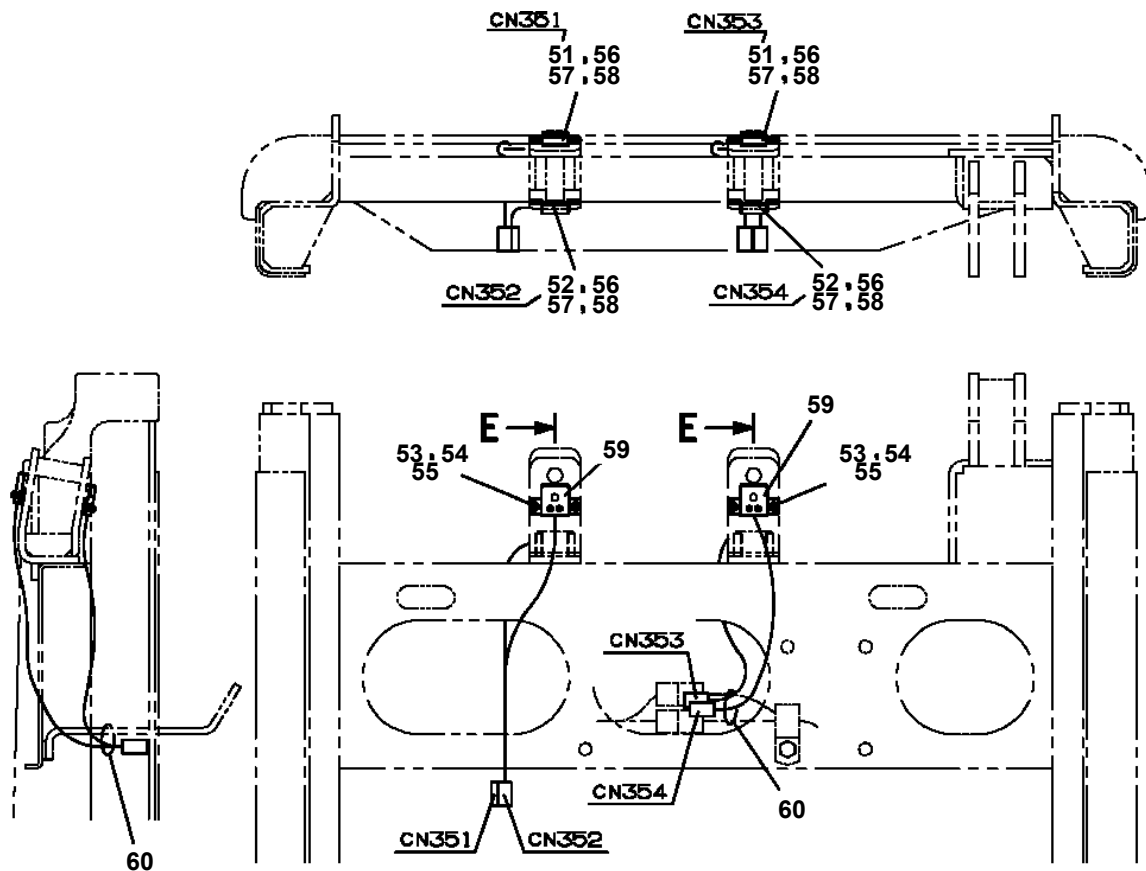
AT-147-3 43010100002 UPPER**PM5150168-00 MODIFICATION ASSY (SAFETY ROPE INTERLOCK/590246-590286)**

| | |
|-----------------|---|
| 指示番号 KEY NO. | カイツウASSY (セーフタイロフ インタロック/NO.590246-590286/ユアテックタイプ) MODIFICATION ASSY (SAFETY ROPE INTERLOCK/NO.590246-590286/YURTEC TYPE) |
| 1 | カイツウASSY (バケツフレーム) MODIFICATION ASSY (BUCKET FRAME) |
| 2 | カイツウASSY (バケツフ ハイセン) MODIFICATION ASSY (BUCKET ELECTRIC) |
| 3 | カイツウASSY (バケツ パネル,レバ-) MODIFICATION ASSY (BUCKET PANEL,LEVER) |
| 4 | ネームプレートASSY NAME PLATE ASSY |

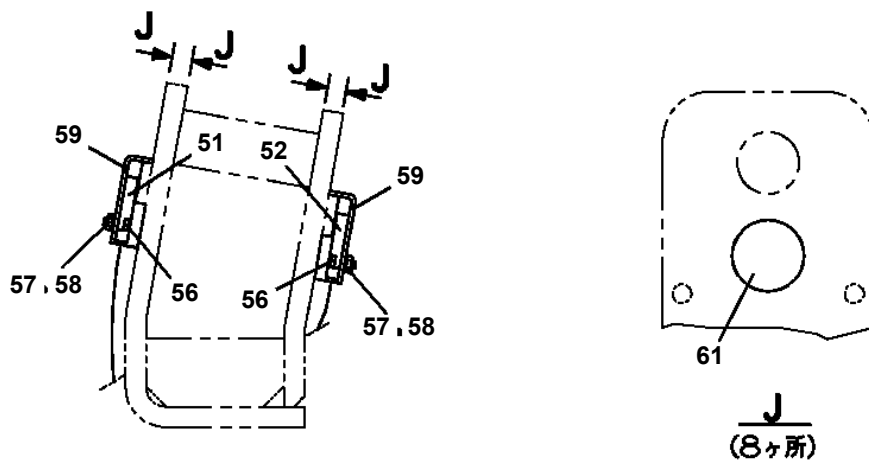
**AT-147-3 43010100002 UPPER
PM5150172-02 MODIFICATION ASSY (BUCKET ELECTRIC)**



**AT-147-3 43010100002 UPPER
PM5150175-00 MODIFICATION ASSY (BUCKET ELECTRIC)**



D



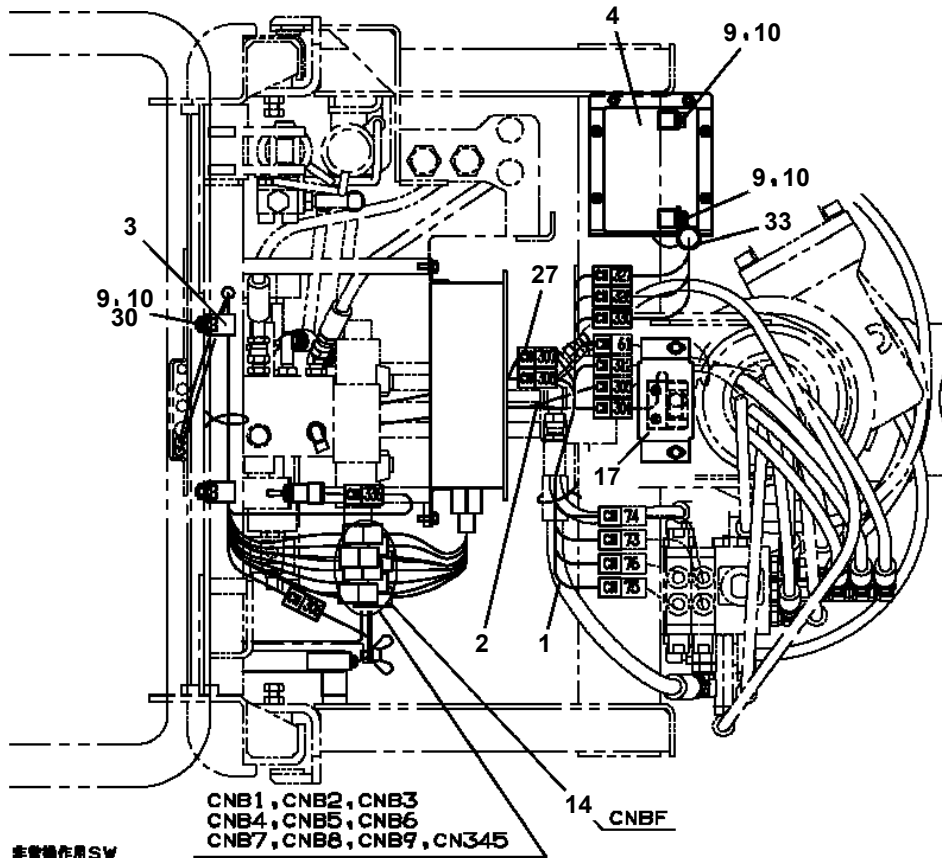
E

J
(8ヶ所)

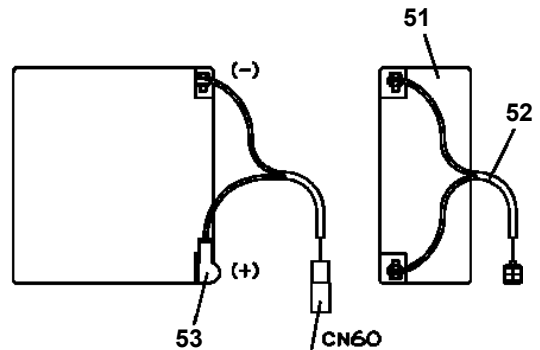
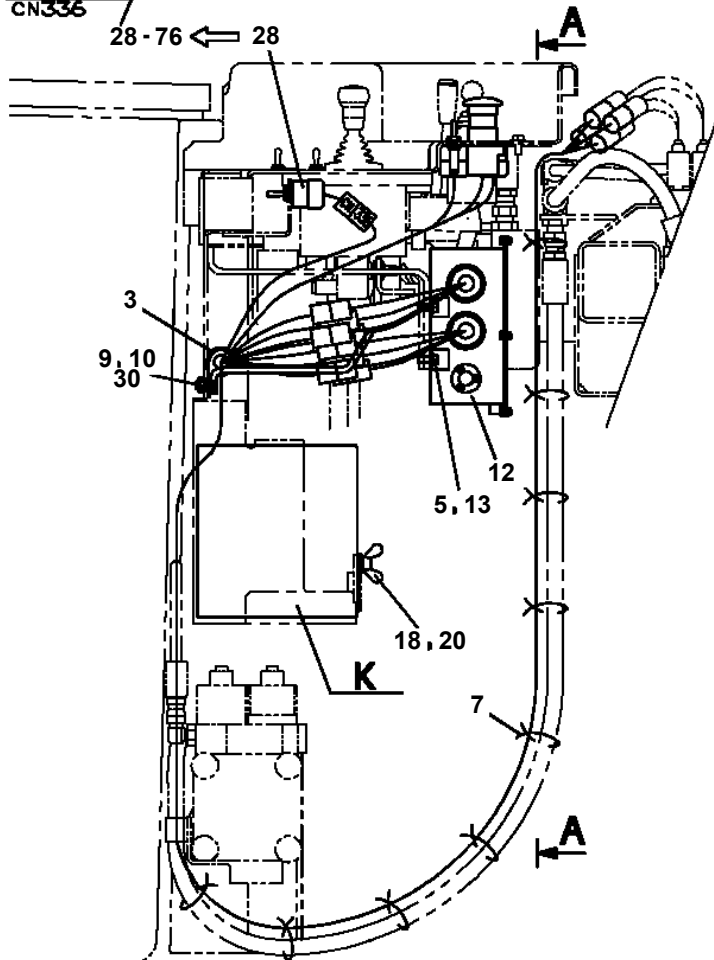
AT-147-3 43010100002 UPPER

| Pos No. | Parts No | Parts Name | Qty | Unit | Technical Data | Serial No (Start) | Serial No (End) | Remarks | Pages |
|---------|-------------|------------|-----|------|----------------|-------------------|-----------------|---------|-------|
| 1 | 90102206050 | BOLT | 1 | | M6X50 | | | | |
| 2 | 90201200600 | NUT | 4 | | M6 | | | | |
| 3 | 42515230010 | PLATE | 2 | | | | | | |

**AT-147-3 43010100002 UPPER
PN1014444-03 ELEC.ASSY (BUCKET)**



非常操作用SW
CN336



K

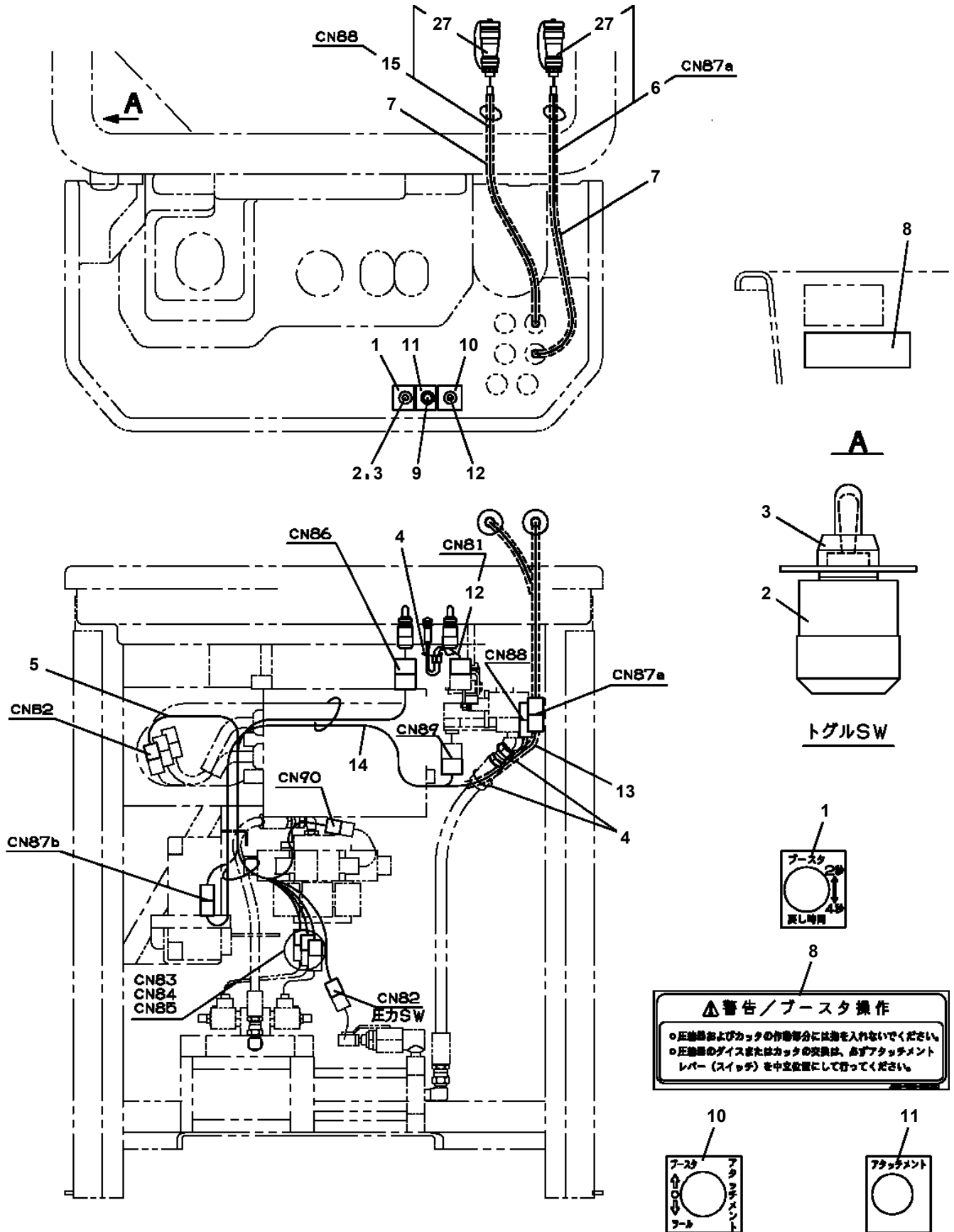
AT-147-3 43010100002 UPPER

| Pos No. | Parts No | Parts Name | Qty | Unit | Technical Data | Serial No (Start) | Serial No (End) | Rema |
|---------|-------------|--------------------------|-----|------|----------------|-------------------|-----------------|------|
| 1 | 82100002019 | CLAMP | 2 | | WR40 | | | |
| 2 | 90302040801 | WASHER,SPRING | 3 | | 8 | | | |
| 3 | 90101208016 | BOLT | 3 | | M8X16 | | | |
| 4 | 91810132530 | FASTENER | 20 | | | | | |
| 5 | 90201200600 | NUT | 1 | | M6 | | | |
| 6 | 90303070801 | WASHER,PLAIN | 1 | | 8 | | | |
| 7 | 37000601600 | CLAMP | 2 | | WR54 | | | |
| 8 | 42421657030 | CABLE ASSY | 1 | | L=1400 | | | |
| 9 | 42422307100 | HARNESS | 1 | | | | | |
| 10 | 42422307010 | CABLE ASSY (WHITE TAPE) | 1 | | L=2600 | | | |
| 11 | 42422307020 | CABLE ASSY (YELLOW TAPE) | 1 | | L=2600 | | | |
| 12 | 42422307030 | CABLE ASSY | 1 | | L=2600 | | | |
| 13 | 90302040601 | WASHER,SPRING | 1 | | 6 | | | |
| 14 | 91810130230 | FASTENER | N | | | | | |
| 15 | 42422307040 | CABLE ASSY (GREEN TAPE) | 1 | | L=1200 | | | |
| 16 | 90303070601 | WASHER,PLAIN | 1 | | 6 | | | |
| 17 | 37000601630 | CLAMP | 1 | | 65 | | | |

AT-147-3 43010100002 UPPER

| Pos No. | Parts No | Parts Name | Qty | Unit | Technical Data | Serial No (Start) | Serial No (End) | Remarks |
|---------|-------------|---------------|-----|------|----------------|-------------------|-----------------|---------|
| 202 | 42356351003 | TERMINAL ASSY | 1 | | | 590324 | | |
| 211 | 42356352001 | TERMINAL ASSY | 1 | | | 590324 | 590329 | |
| 212 | 42356352002 | TERMINAL ASSY | 1 | | | 590330 | | |

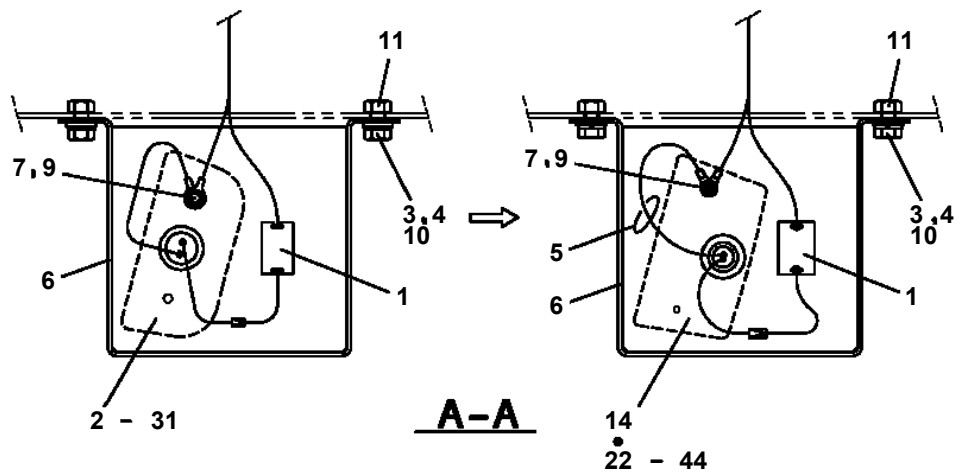
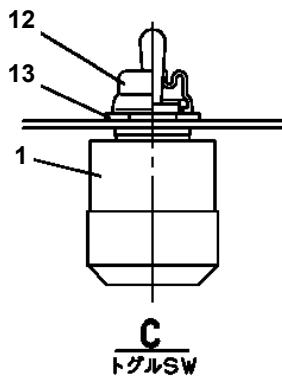
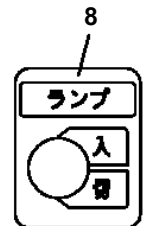
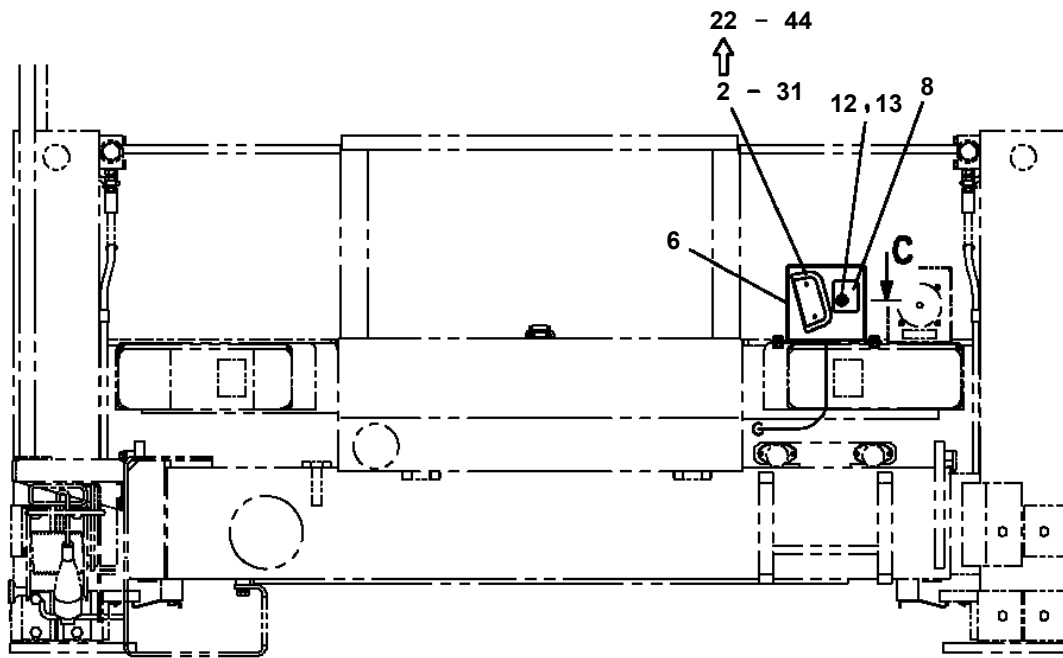
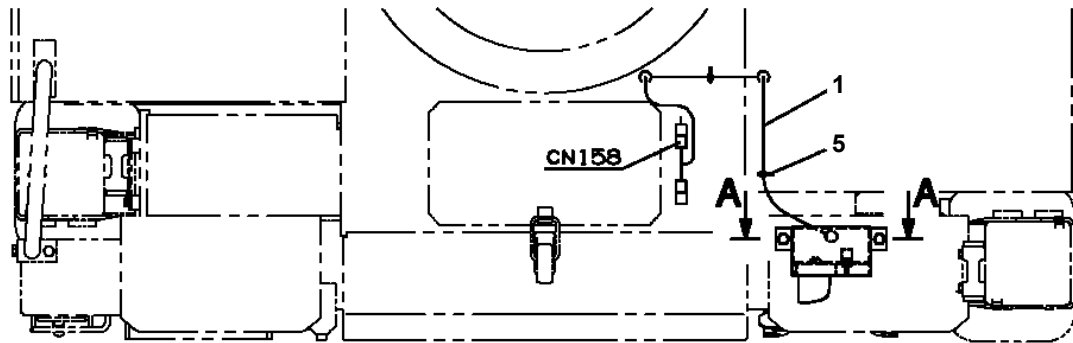
AT-147-3 43010100002 UPPER
PN1014749-01 ELEC.ASSY



AT-147-3 4301010002 UPPER

| Pos No. | Parts No | Parts Name | Qty | Unit | Technical Data | Serial No (Start) | Serial No (End) | Re |
|---------|-------------|---------------------------|-----|------|----------------|-------------------|-----------------|----|
| 1 | 42502951000 | BOX ASSY (PLUG SOCKET) | 2 | | | | | |
| 2 | 91810132530 | FASTENER | 16 | | | | | |
| 3 | 90101206016 | BOLT | 4 | | M6X16 | | | |
| 4 | 90302040601 | WASHER,SPRING | 4 | | 6 | | | |
| 5 | 42442470050 | PLATE | 2 | | | | | |
| 6 | 42502950100 | HARNESS | 1 | | | | | |
| 7 | 82401601002 | CLAMP | 8 | | | | 590499 | |
| | 82401601002 | CLAMP | 9 | | | 590500 | | |
| 8 | 91810130240 | FASTENER | 8 | | | | 590499 | |
| | 91810130240 | FASTENER | 9 | | | 590500 | | |
| 9 | 42733650040 | PLATE,NAME (POWER SOURCE) | 2 | | | | | |
| 21 | 82114101020 | CONNECTOR (2P,MALE) | 2 | | | | | |
| 22 | 82121102020 | HOLDER | 2 | | | | | |
| 23 | 82111101010 | TERMINAL | 4 | | | | | |
| 24 | 82121101085 | PLUG (AVS0.85) | 4 | | | | | |
| 25 | 82100001425 | CABLE | 2 | M | | | | |
| 26 | 82100000592 | TERMINAL (M40.3 TO 1.25) | 4 | | | | | |
| 27 | 82100001220 | INSULATOR | 4 | | | | | |
| 28 | 82100002399 | CONNECTOR | 2 | | | | | |
| 29 | 82100002129 | PLATE | 2 | | | | | |
| 30 | 80172304008 | SCREW,MACHINE | 4 | | M4X8 | | | |
| 31 | 90302040401 | WASHER,SPRING | 4 | | 4 | | | |
| 32 | 42502951100 | CASE | 2 | | | | 590405 | |
| | 42502951200 | CASE | 2 | | | 590406 | | |
| 33 | 82400000073 | GROMMET | 2 | | | | 590405 | |
| | 82400000214 | GROMMET | 2 | | | 590406 | | |

AT-147-3 43010100002 UPPER
 PN1080394-03 LAMP (O/R CONTROL PANEL)

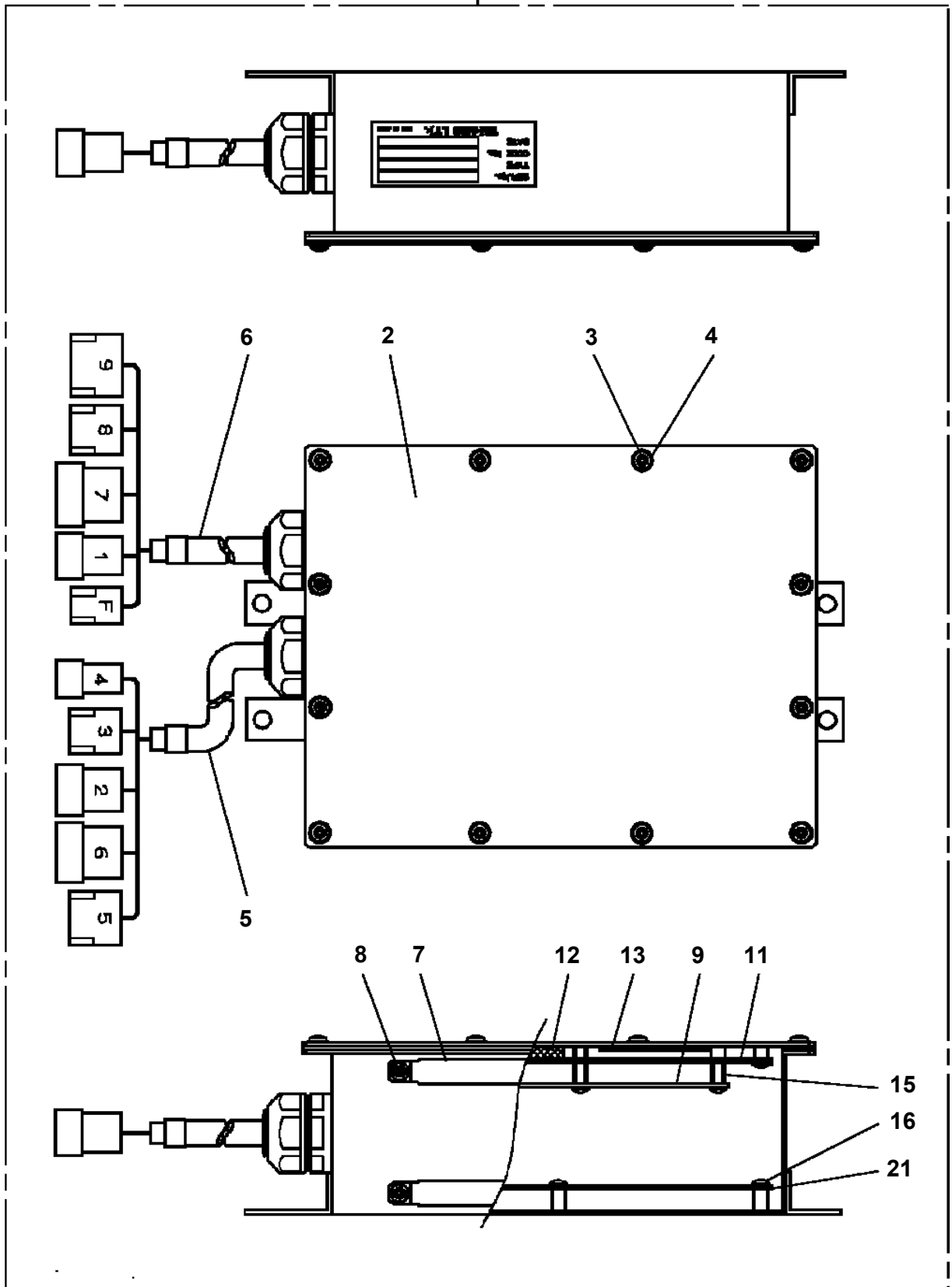


AT-147-3 43010100002 UPPER

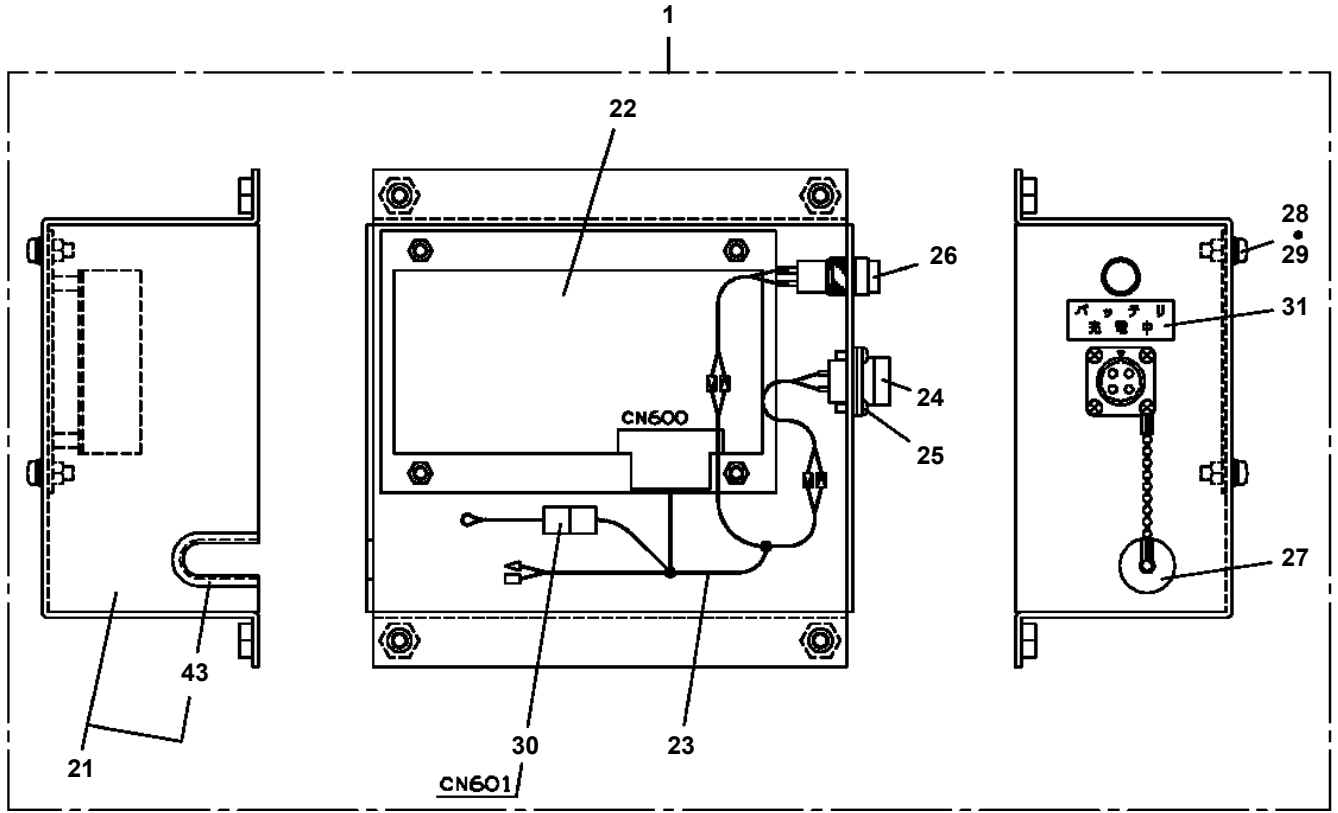
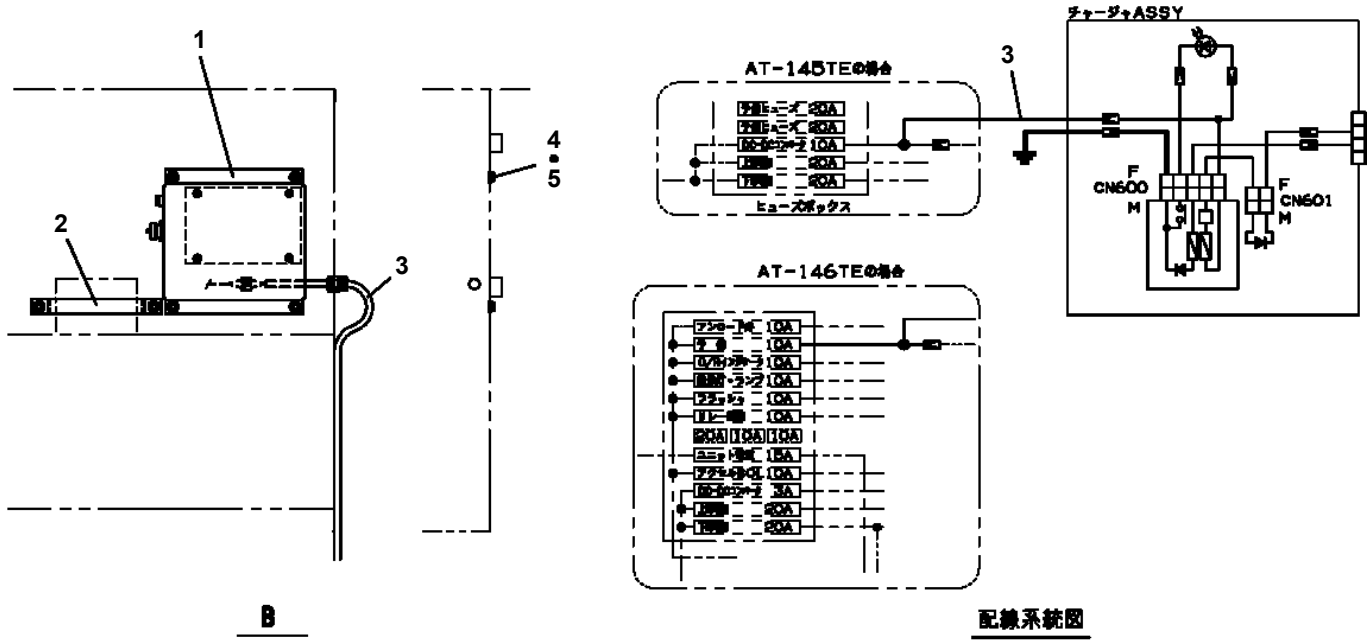
| Pos No. | Parts No | Parts Name | Qty | Unit | Technical Data | Serial No (Start) | Serial No (End) | Remarks | Pages |
|---------|-------------|---------------|-----|------|----------------|-------------------|-----------------|---------|--------|
| 1 | 42356443551 | CASE | 1 | | | | | | |
| 2 | 42356443600 | COVER | 1 | | | | | | |
| 3 | 42355192100 | PLATE | 1 | | | | | | |
| 4 | 42351693500 | RELAY ASSY | 2 | | | | | | |
| 5 | 42355192200 | HARNESS | 1 | | | | | | |
| 6 | 80174303010 | SCREW,MACHINE | 6 | | M3X10 | | | | |
| 8 | 90302040301 | WASHER,SPRING | 10 | | 3 | | | | |
| 9 | 91810132530 | FASTENER | 2 | | | | | | |
| 10 | 80182306012 | SCREW,MACHINE | 6 | | M6X12 | | | | |
| 12 | 90302040601 | WASHER,SPRING | 6 | | 6 | | | | |
| 13 | 82400000201 | GROMMET | 1 | | KG-016 | | | | |
| 14 | 80174303006 | SCREW,MACHINE | 4 | | M3X6 | | | | |
| 100 | 42356443501 | RELAY BOX | 1 | | | | | | 000182 |

AT-147-3 43010100002 UPPER
PN1210154-00 TRANSMITTER, SIGNAL

100



**AT-147-3 43010100002 UPPER
PN1360001-01 CHARGER INSTALLATION (MECHANICAL ARM)**

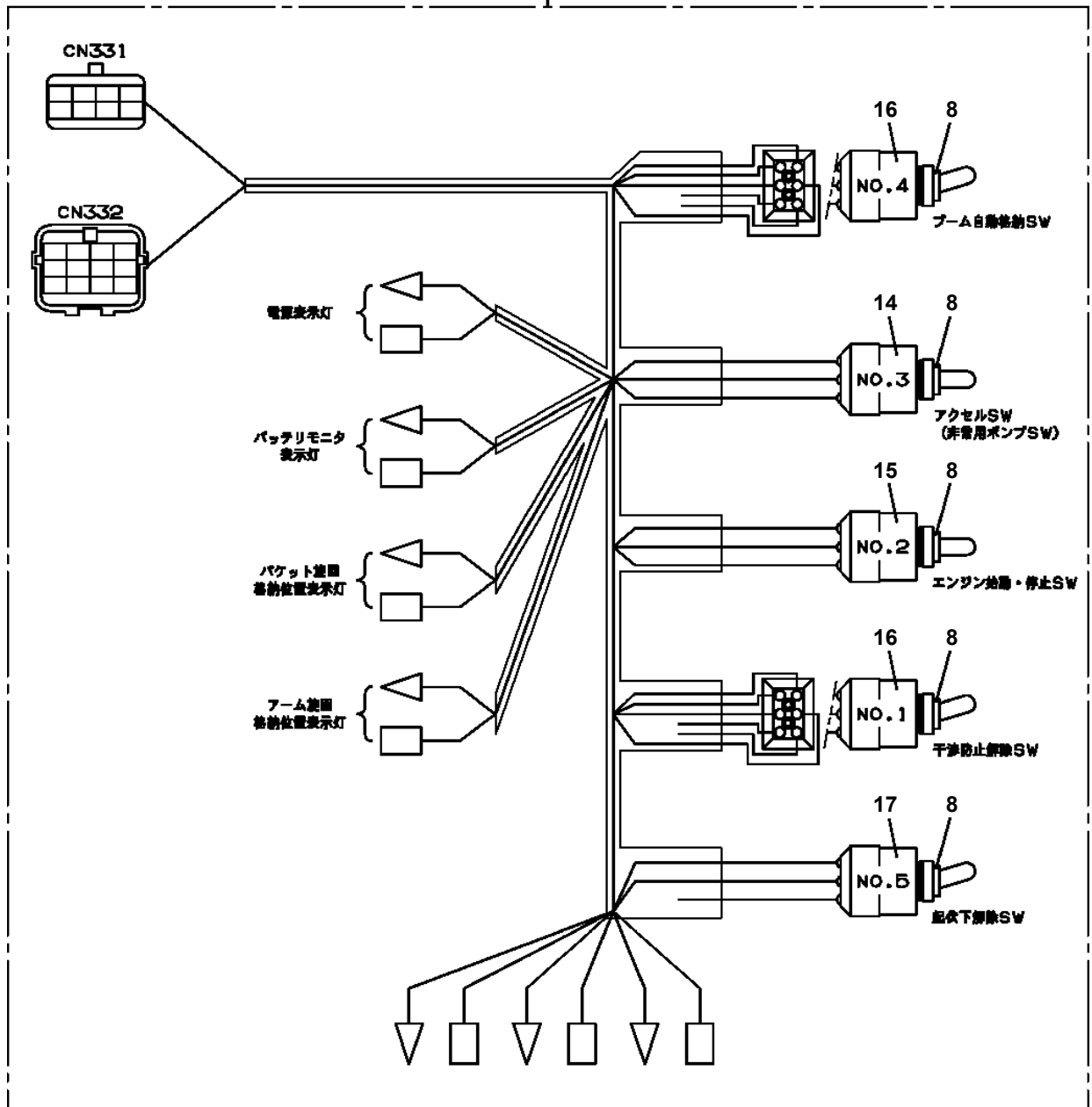


AT-147-3 43010100002 UPPER

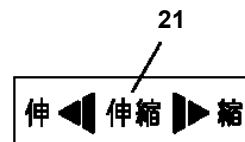
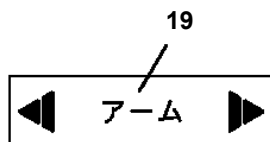
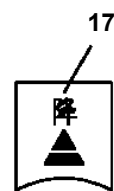
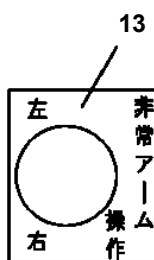
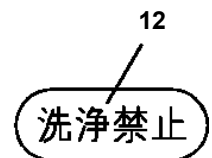
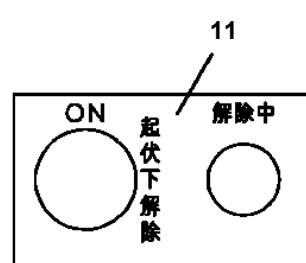
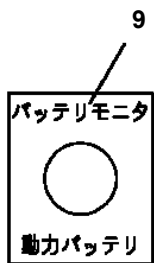
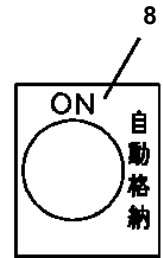
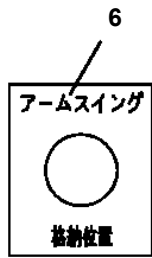
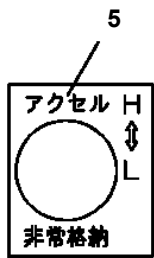
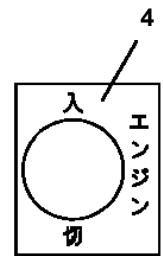
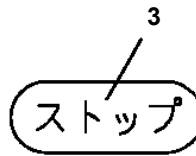
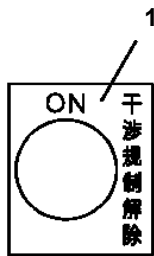
| Pos No. | Parts No | Parts Name | Qty | Unit | Technical Data | Serial No (Start) | Serial No (End) | Remarks | Pages |
|---------|-------------|------------|-----|------|----------------|-------------------|-----------------|---------|-------|
| 6 | 82199514013 | CAP | 1 | | | | | | |
| 12 | 82199504063 | CAP | 1 | | | | | | |
| 50 | 42502852201 | HARNESS | 1 | | | | | | |

AT-147-3 43010100002 UPPER
 PN1450079-00 HARNESS

100



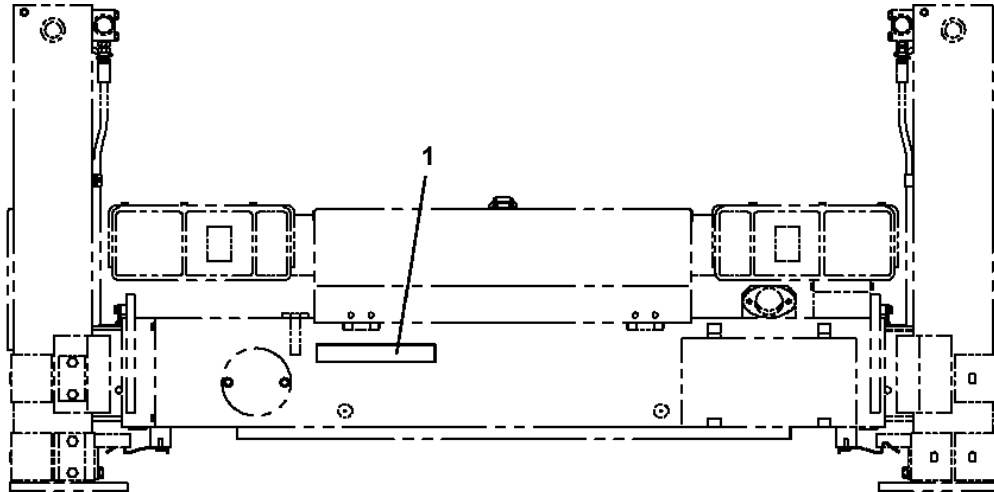
AT-147-3 43010100002 UPPER
 PN5010254-00 NAME PLATE ASSY (BUCKET PANEL)



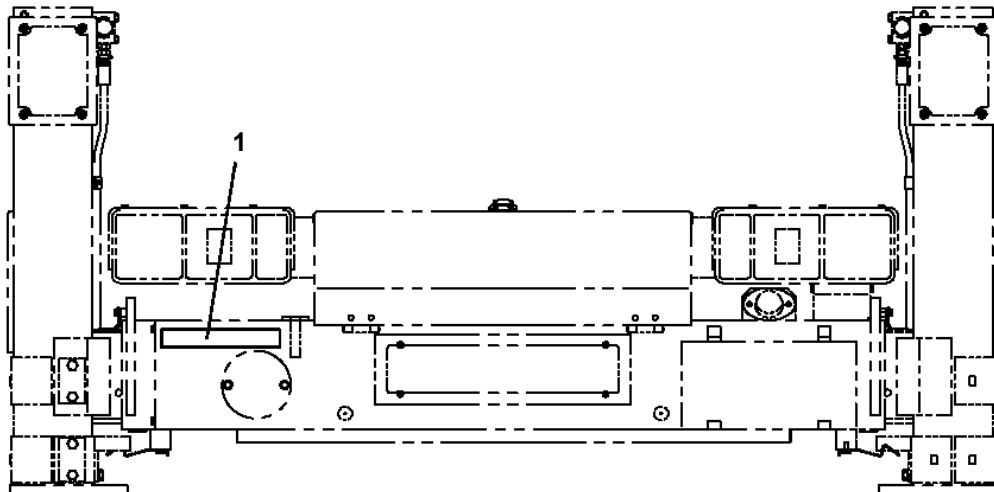
AT-147-3 43010100002 UPPER

| Pos No. | Parts No | Parts Name | Qty | Unit | Technical Data | Serial No (Start) | Serial No (End) | Remarks | Pa |
|---------|-------------|--------------------|-----|------|----------------|-------------------|-----------------|---------|----|
| 1 | 82444100200 | PLATE,NAME (200KG) | 1 | | | | | | |

AT-147-3 43010100002 UPPER
PO1014599-00 PLATE ASSY,NAME (LOADING CAPACITY)



車両後部



車両後部
(大型後部反射板付の場合)

AT-147-3 43010100002 UPPER

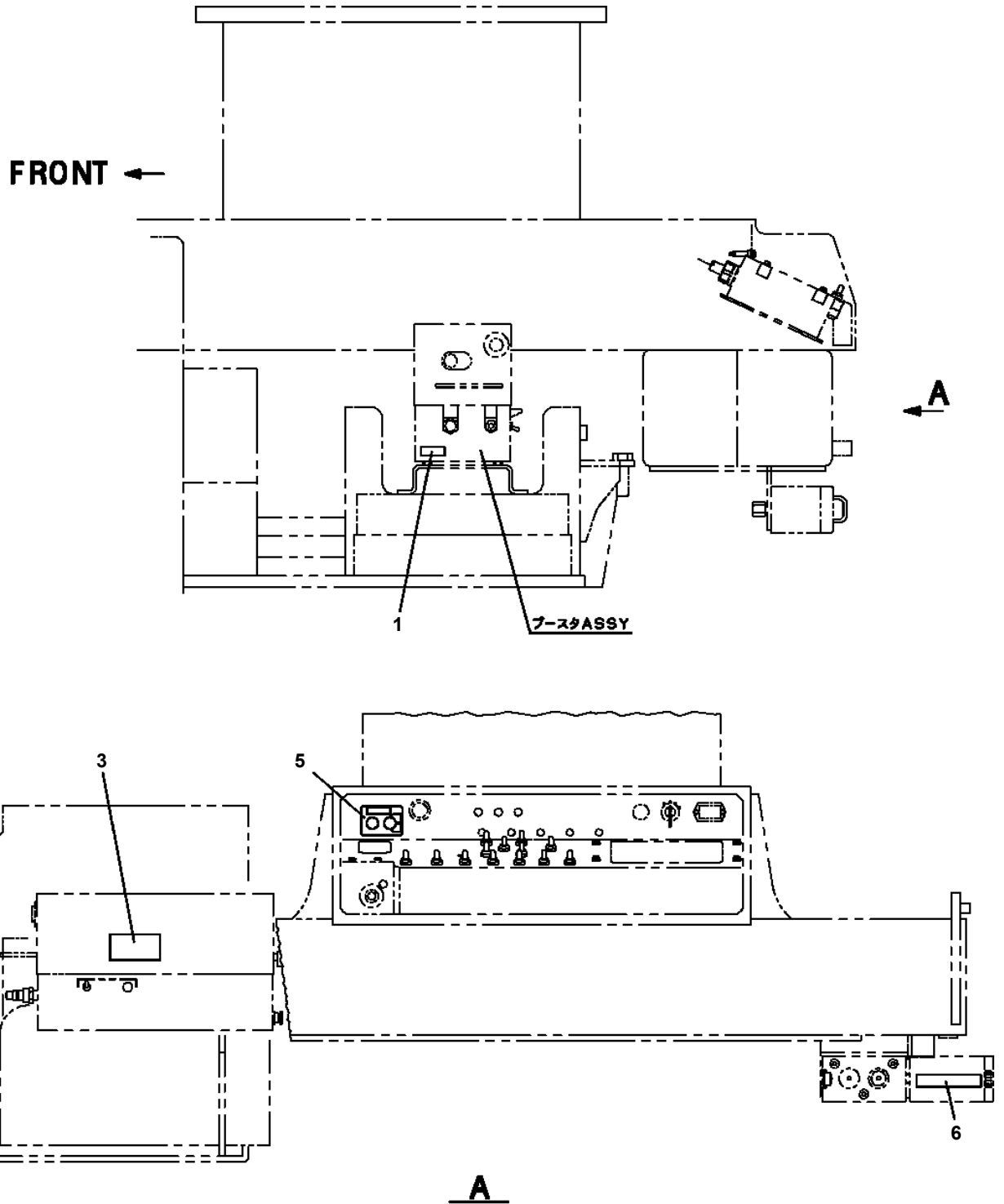
| Pos No. | Parts No | Parts Name | Qty | Unit | Technical Data | Serial No (Start) | Serial No (End) | Remarks | Pages |
|---------|-------------|---------------|-----|------|----------------|-------------------|-----------------|---------|-------|
| 1 | 42391413080 | PLATE,NAME | 2 | | | | | | |
| 2 | 42392684011 | PLATE,NAME | 2 | | | | | | |
| 3 | 42392583120 | PLATE,NAME | 1 | | | | | | |
| 4 | 42311895030 | PLATE,CAUTION | 1 | | | | | | |
| 5 | 42311895040 | PLATE,CAUTION | 1 | | | | | | |

AT-147-3 4301010002 UPPER

| Pos No. | Parts No | Parts Name | Qty | Unit | Technical Data | Serial No (Start) | Serial No (End) | Remarks | Pages |
|---------|-------------|---------------|-----|------|----------------|-------------------|-----------------|---------|-------|
| 1 | 42395081120 | PLATE,NAME | 1 | | | | | | |
| 2 | 42398131020 | PLATE,NAME | 1 | | | | | | |
| 3 | 42394191050 | PLATE,NAME | 1 | | | | | | |
| 4 | 42394191060 | PLATE,NAME | 1 | | | | | | |
| 5 | 42394191070 | PLATE,NAME | 1 | | | | | | |
| 6 | 42394191080 | PLATE,NAME | 1 | | | | | | |
| 7 | 42394191090 | PLATE,NAME | 1 | | | | | | |
| 8 | 37002201980 | PLATE,NAME | 1 | | | | | | |
| 9 | 42398294010 | PLATE,NAME | 1 | | | | | | |
| 10 | 42475910010 | PLATE,NAME | 2 | | | | | | |
| 11 | 42398294020 | PLATE,NAME | 1 | | | | | | |
| 12 | 42398294030 | PLATE,NAME | 1 | | | | | | |
| 13 | 42398294050 | PLATE,CAUTION | 1 | | | | | | |
| 14 | 42398294060 | PLATE,CAUTION | 1 | | | | | | |
| 15 | 42398294070 | PLATE,CAUTION | 1 | | | | | | |
| 16 | 42398294080 | PLATE,CAUTION | 1 | | | | | | |
| 17 | 42398294090 | PLATE,NAME | 1 | | | | | | |
| 18 | 42394191140 | PLATE,CAUTION | 1 | | | | | | |
| 19 | 42398294100 | PLATE,NAME | 1 | | | | | | |
| 20 | 42398294110 | PLATE,NAME | 1 | | | | | | |
| 21 | 42392584040 | PLATE | 1 | | | | | | |
| 22 | 42331782100 | PLATE,NAME | 1 | | | | | | |

AT-147-3 43010100002 UPPER

PO1015673-01 PLATE ASSY,NAME (BOOSTER+HYDRAULIC PRESSURE TAKEOUT)



3
リセットスイッチ
油圧工具を作業途中で戻したい
時に操作してください。

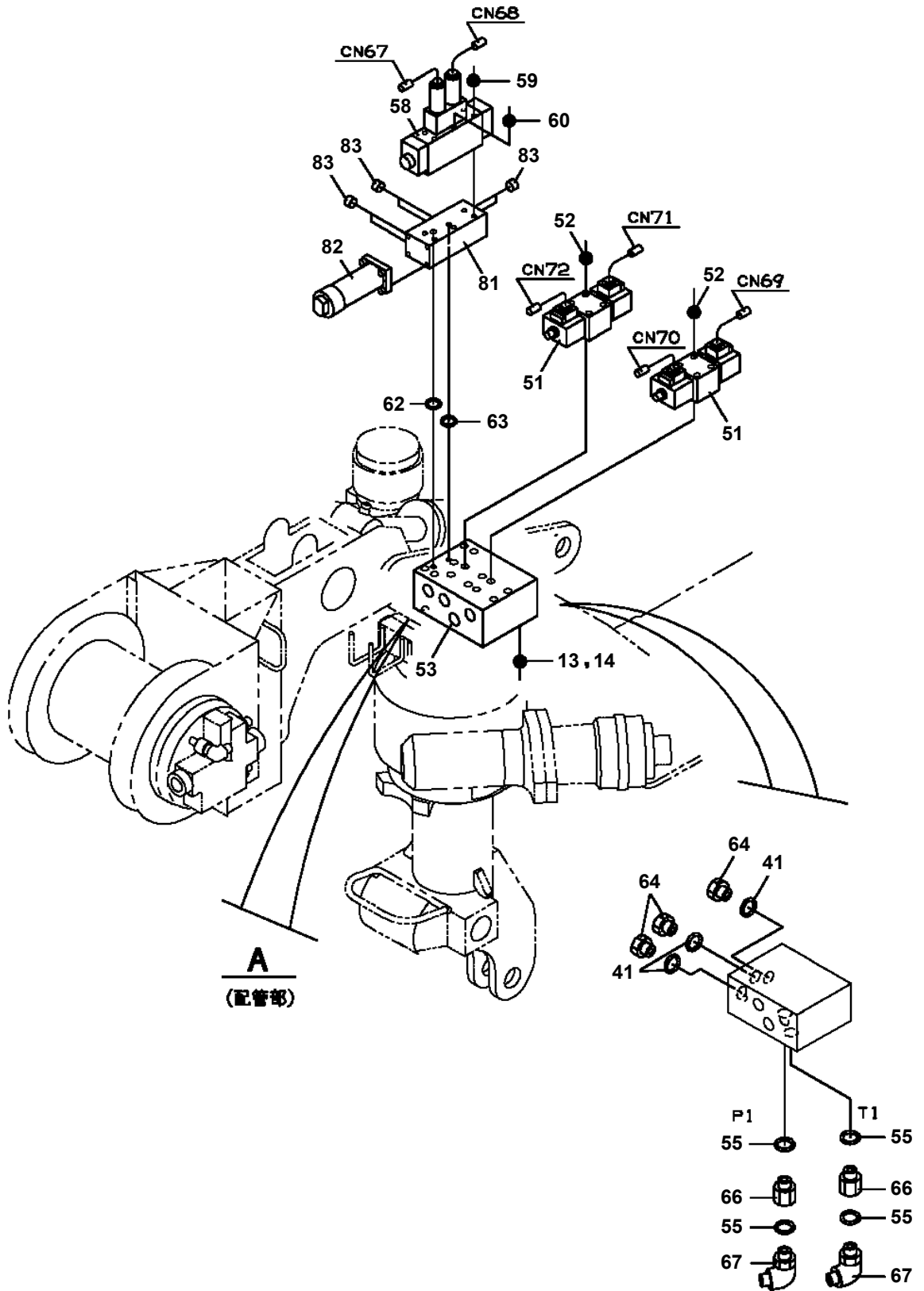
5
油圧取出
ブースタ
バルブ

6
カバー開放厳禁

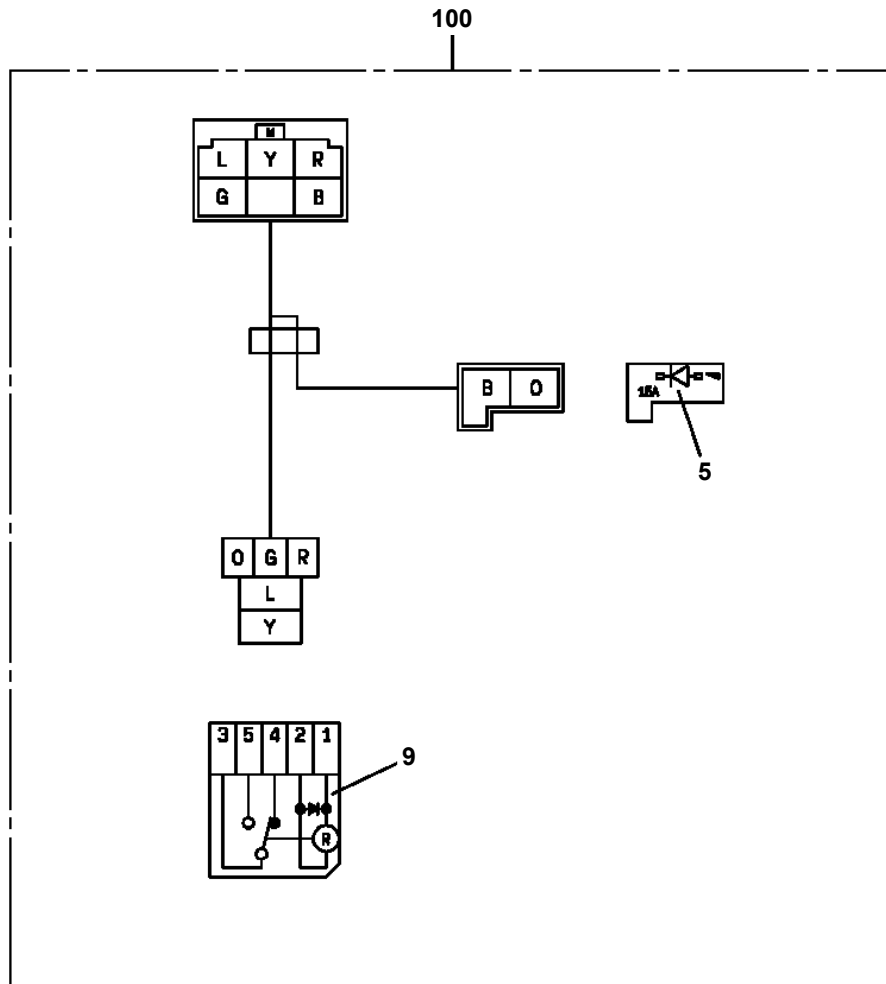
AT-147-3 43010100002 UPPER

| Pos No. | Parts No | Parts Name | Qty | Unit | Technical Data | Serial No (Start) | Serial No (End) | Rema |
|---------|-------------|--------------------------|-----|------|----------------|-------------------|-----------------|------|
| 22 | 42332677520 | PLUG | 1 | | | | | |
| 23 | 42332677530 | BOOT | 1 | | | | | |
| 36 | 42333157520 | SPRING | 1 | | | | | |
| 38 | 42333157510 | STOPPER | 1 | | | | | |
| 43 | 42332677600 | SPRING | 2 | | | | | |
| 47 | 42332677610 | COVER | 1 | | | | | |
| 48 | 42332677620 | CAP | 1 | | | | | |
| 54 | 42332677630 | BEARING | 2 | | | | | |
| 55 | 42332677540 | SPRING | 1 | | | | | |
| 56 | 42332677650 | SPRING | 2 | | | | | |
| 100 | 42333152001 | OPE.ASSY (LEVER,CONTROL) | 1 | | | | | |

**AT-147-3 43010100002 UPPER
PP6390019-00 PIPING ASSY,WINCH**



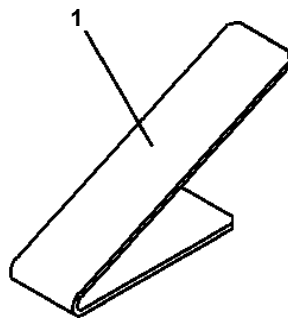
AT-147-3 43010100002 UPPER
PR5210003-00 RELAY



AT-147-3 4301010002 UPPER

| Pos No. | Parts No | Parts Name | Qty | Unit | Technical Data | Serial No (Start) | Serial No (End) | Remarks | Pages |
|---------|-------------|---------------|-----|------|----------------|-------------------|-----------------|---------|-------|
| 1 | 42443243100 | SUPPORT | 1 | | | | | | |
| 2 | 42443243200 | SUPPORT | 1 | | | | | | |
| 3 | 82466154603 | CATCH | 1 | | | | | | |
| 4 | 80175803006 | SCREW,MACHINE | 3 | | M3X6 | | | | |
| 5 | 42698150300 | INSULATOR | 3 | | | | | | |
| 6 | 80172804010 | SCREW,MACHINE | 3 | | M4X10 | | | | |
| 7 | 90302510401 | WASHER,SPRING | 8 | | 4 | | | | |
| 8 | 90303520401 | WASHER,PLAIN | 4 | | 4 | | | | |
| 9 | 82400000393 | INSULATOR | 1 | | | | | | |
| 10 | 80172804014 | SCREW,MACHINE | 1 | | M4X14 | | | | |
| 11 | 82464107812 | HINGE | 1 | | | | | | |
| 12 | 80172804008 | SCREW,MACHINE | 4 | | M4X8 | | | | |
| 13 | 80175804006 | SCREW,MACHINE | 2 | | M4X6 | | | | |
| 14 | 42875640010 | PLATE | 2 | | T=0.5 | 590456 | | | |
| 100 | 42443243002 | SUPPORT ASSY | 1 | | | | | | |

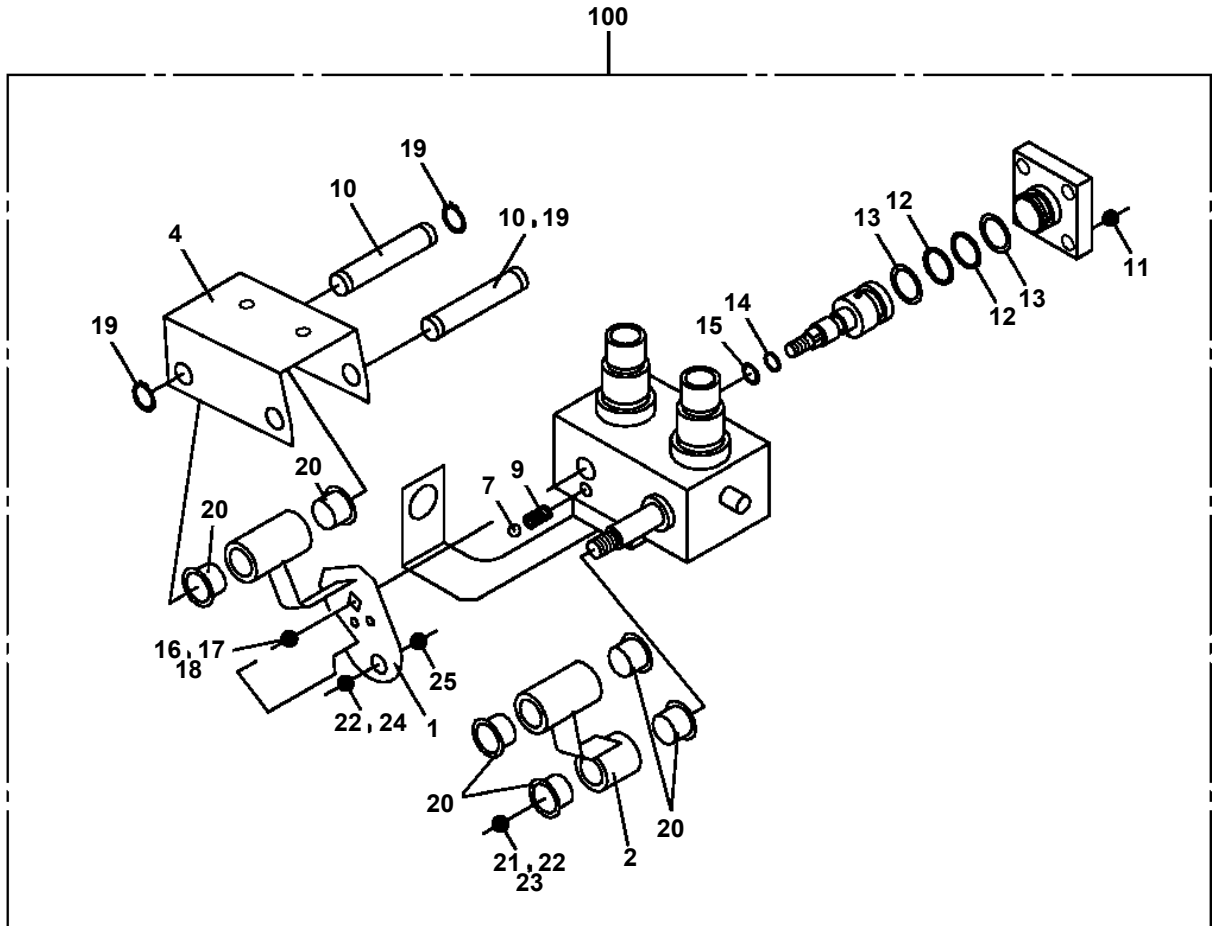
**AT-147-3 43010100002 UPPER
PS5550005-00 SUPPORT (7 DEGREES ANGLE METER MOUNTING)**



AT-147-3 43010100002 UPPER

| Pos No. | Parts No | Parts Name | Qty | Unit | Technical Data | Se |
|---------|-------------|---|-----|------|----------------|----|
| 1 | 42470980100 | SWITCH,PUSH | 1 | | | |
| 2 | 82100002220 | CABLE | 3 | M | | |
| 3 | 82100002173 | CONNECTOR | 1 | | | |
| 10 | 42470983000 | SWITCH BOX (ELECTRIC BOOSTER, 3M,NANABOSI,SINKOU DENKI) | 1 | | | |

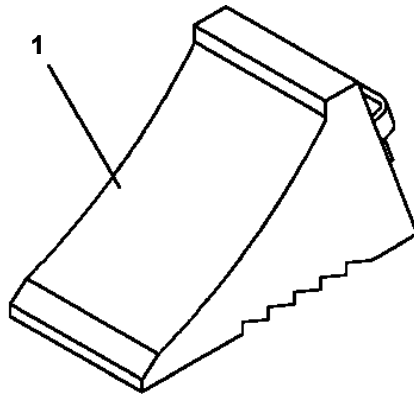
AT-147-3 43010100002 UPPER
PV5170004-00 VALVE ASSY,SELECTOR



AT-147-3 43010100002 UPPER

| Pos No. | Parts No | Parts Name | Qty | Unit | Technical Data | Serial No (Start) | Serial No (End) | Remarks | Pages |
|---------|-------------|------------|-----|------|----------------|-------------------|-----------------|---------|-------|
| 1 | 42470340000 | MAT | 1 | | 1000X630 T=6 | | | | |
| | 42470340000 | MAT | 1 | | 1000X630 T=6 | | | | |

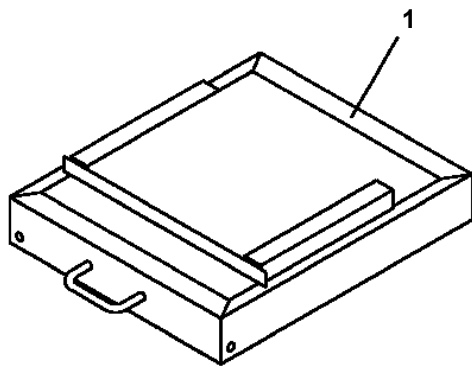
**AT-147-3 43010100002 UPPER
PW5110003-00 WEDGE (STOPPER FOR TIRE/NAKAMURA KIKI)**



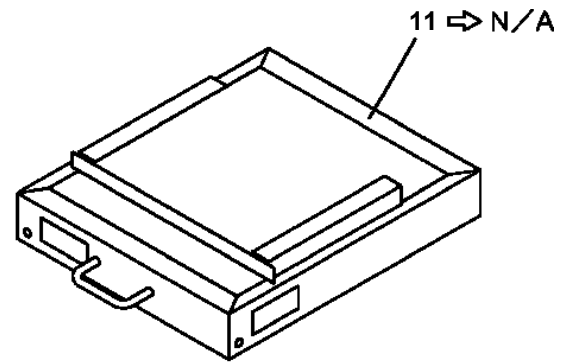
AT-147-3 43010100002 UPPER

| Pos No. | Parts No | Parts Name | Qty | Unit | Technical Data | Serial No (Start) | Serial No (End) | Remarks | Pages |
|---------|-------------|------------------|-----|------|----------------|-------------------|-----------------|---------|-------|
| 1 | 42504540100 | STEP | 1 | | | | | | |
| 2 | 34393906550 | PLATE (NON-SLIP) | 2 | | | | | | |

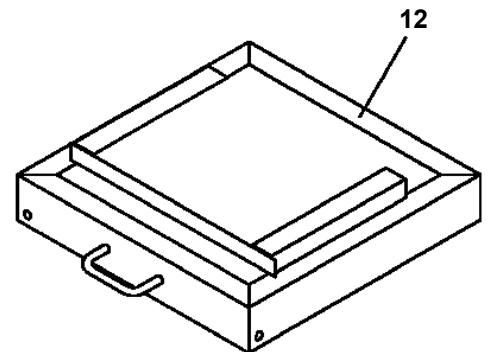
AT-147-3 43010100002 UPPER
PX1270161-01 WOOD BLOCK (KANDEN/DETACHABLE TYPE,L)



(左右前後)



(左後)



(左前・右前後) ⇨ (左右前後)

AT-147-3 43010100002 UPPER

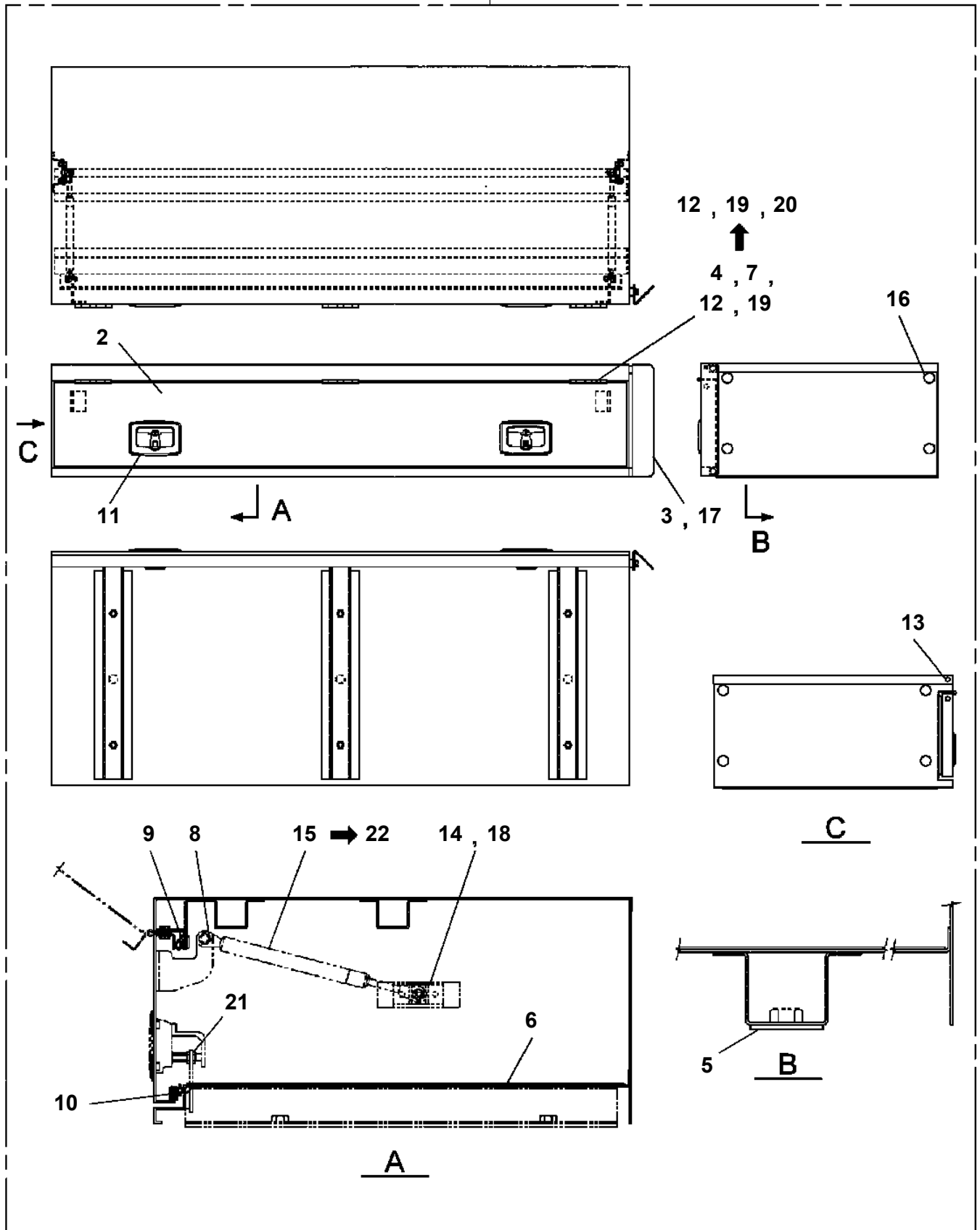
| Pos No. | Parts No | Parts Name | Qty | Unit | Technical Data | Serial No (Start) | Serial No (End) | Remarks | Pages |
|---------|-------------|------------|-----|------|----------------|-------------------|-----------------|---------|-------|
| 1 | 42501710000 | BOX,TOOL | 1 | | | | | | |

AT-147-3 43010100002 UPPER

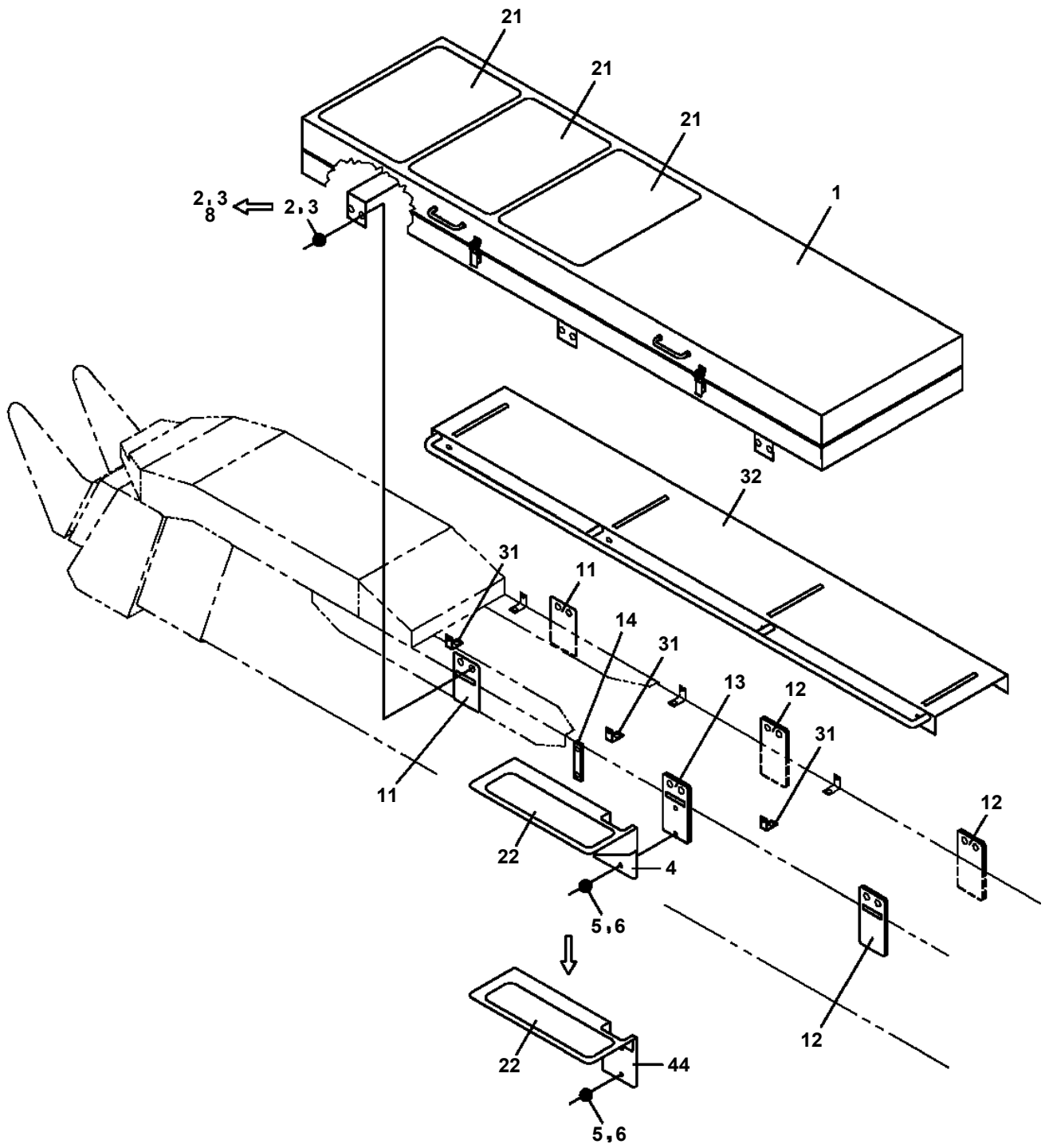
| Pos No. | Parts No | Parts Name | Qty | Unit | Technical Data | Serial No (Start) | Serial No (End) |
|---------|-------------|---------------|-----|------|----------------|-------------------|-----------------|
| 18 | 42835487650 | HINGE | 2 | | | | |
| 19 | 80175805012 | SCREW,MACHINE | 6 | | M5X12 | | |
| | 80175805012 | SCREW,MACHINE | 6 | | M5X12 | | |
| | 80175805012 | SCREW,MACHINE | 6 | | M5X12 | | |
| | 80175805012 | SCREW,MACHINE | 6 | | M5X12 | | |
| 20 | 42835797730 | TRIM | 1 | | 380MM | | |
| | 42835797730 | TRIM | 1 | | 380MM | | |
| | 42835797730 | TRIM | 1 | | 380MM | | |
| | 42835797730 | TRIM | 1 | | 380MM | | |
| 100 | 42835793000 | BOX,TOOL | 1 | | | | |
| | 42835793000 | BOX,TOOL | 1 | | | | |
| | 42835793000 | BOX,TOOL | 1 | | | | |
| | 42835793000 | BOX,TOOL | 1 | | | | |

AT-147-3 43010100002 UPPER
PX1351077-01 BOX, TOOL

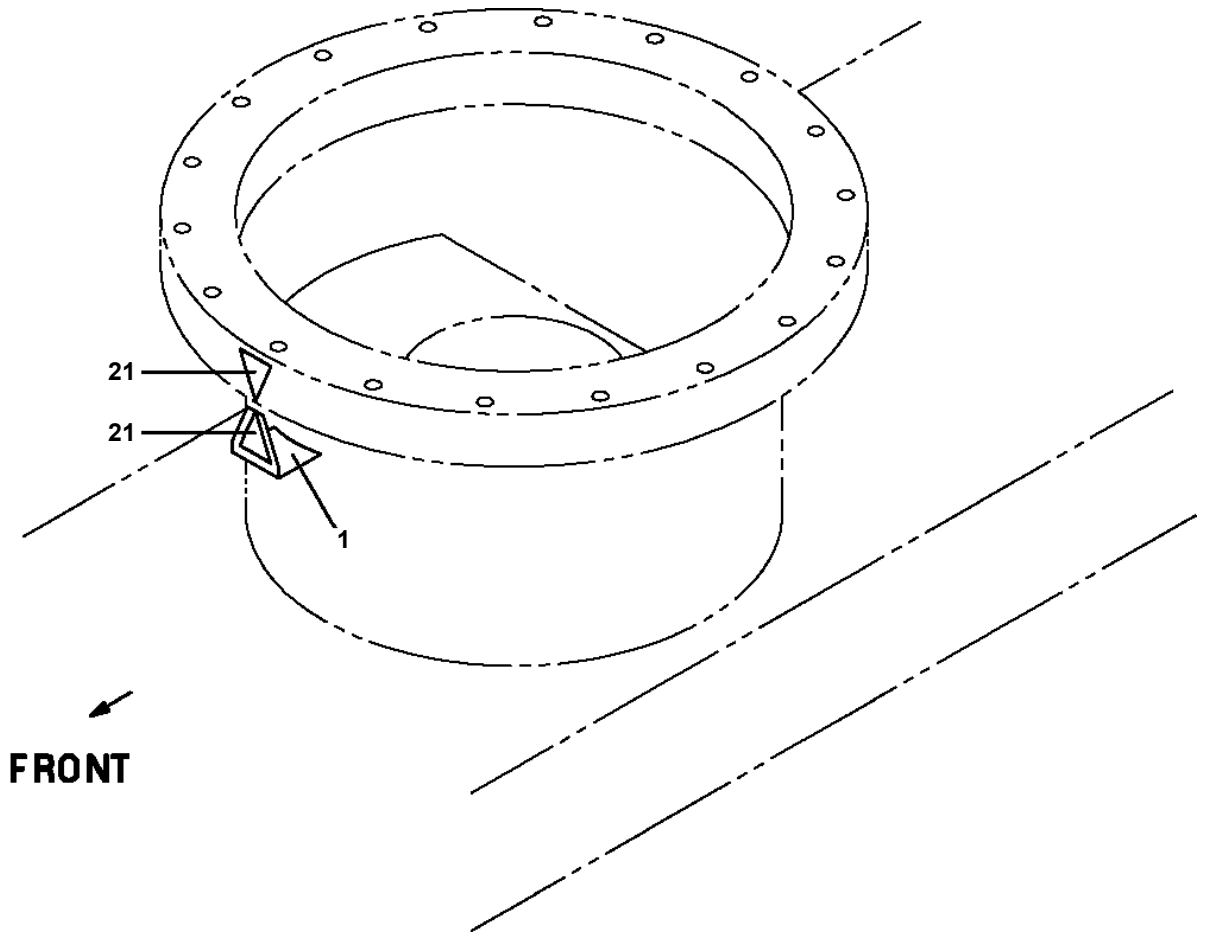
100



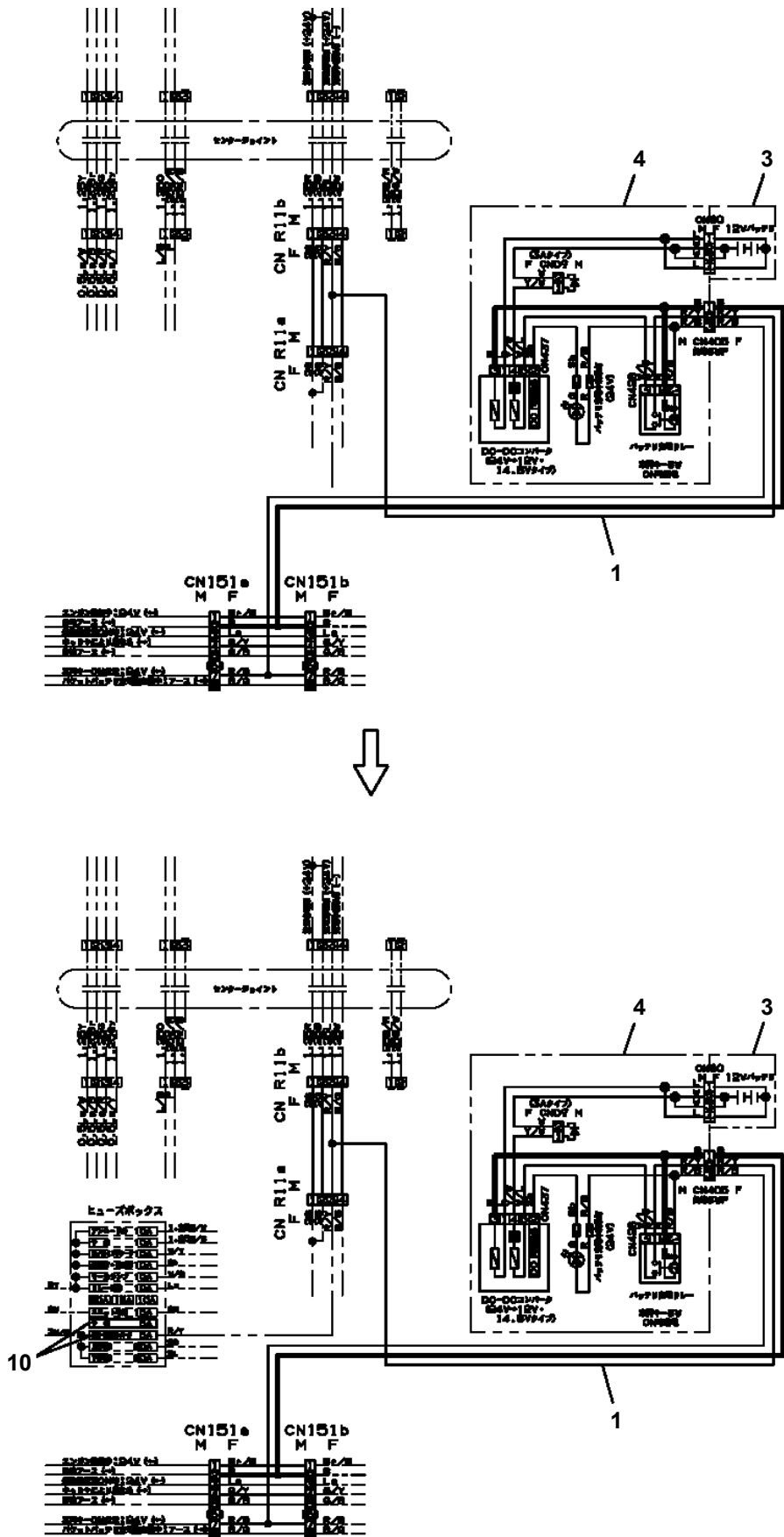
AT-147-3 43010100002 UPPER
PX1351199-02 BOX,TOOL



**AT-147-3 43010100002 UPPER
PX1360109-00 REFLECTOR (SWING ALIGNMENT MARK/FRONT)**

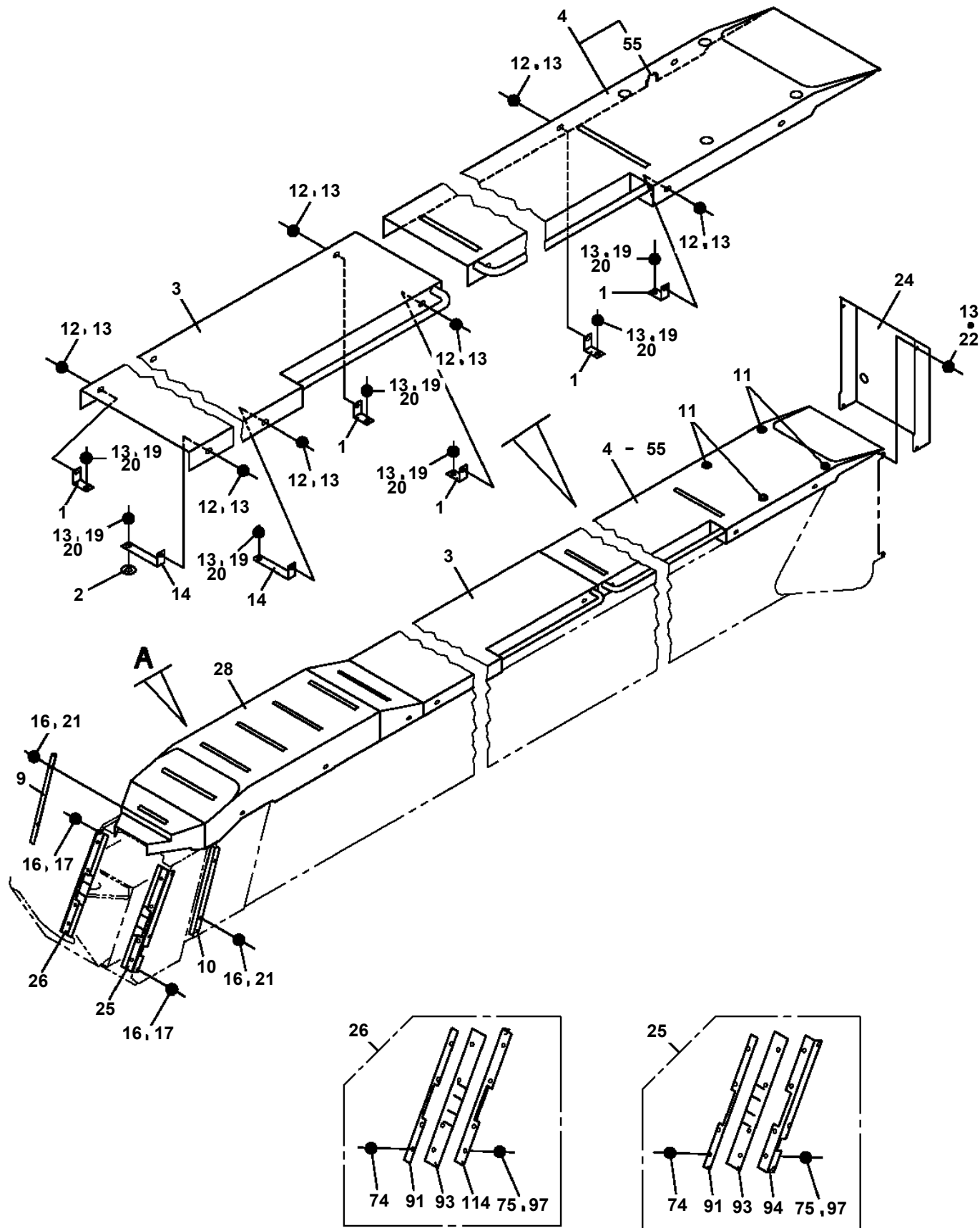


AT-147-3 43010100002 UPPER
 PX5060005-03 MOUNT ASSY, BATTERY (UPPER STANDBY POWER)



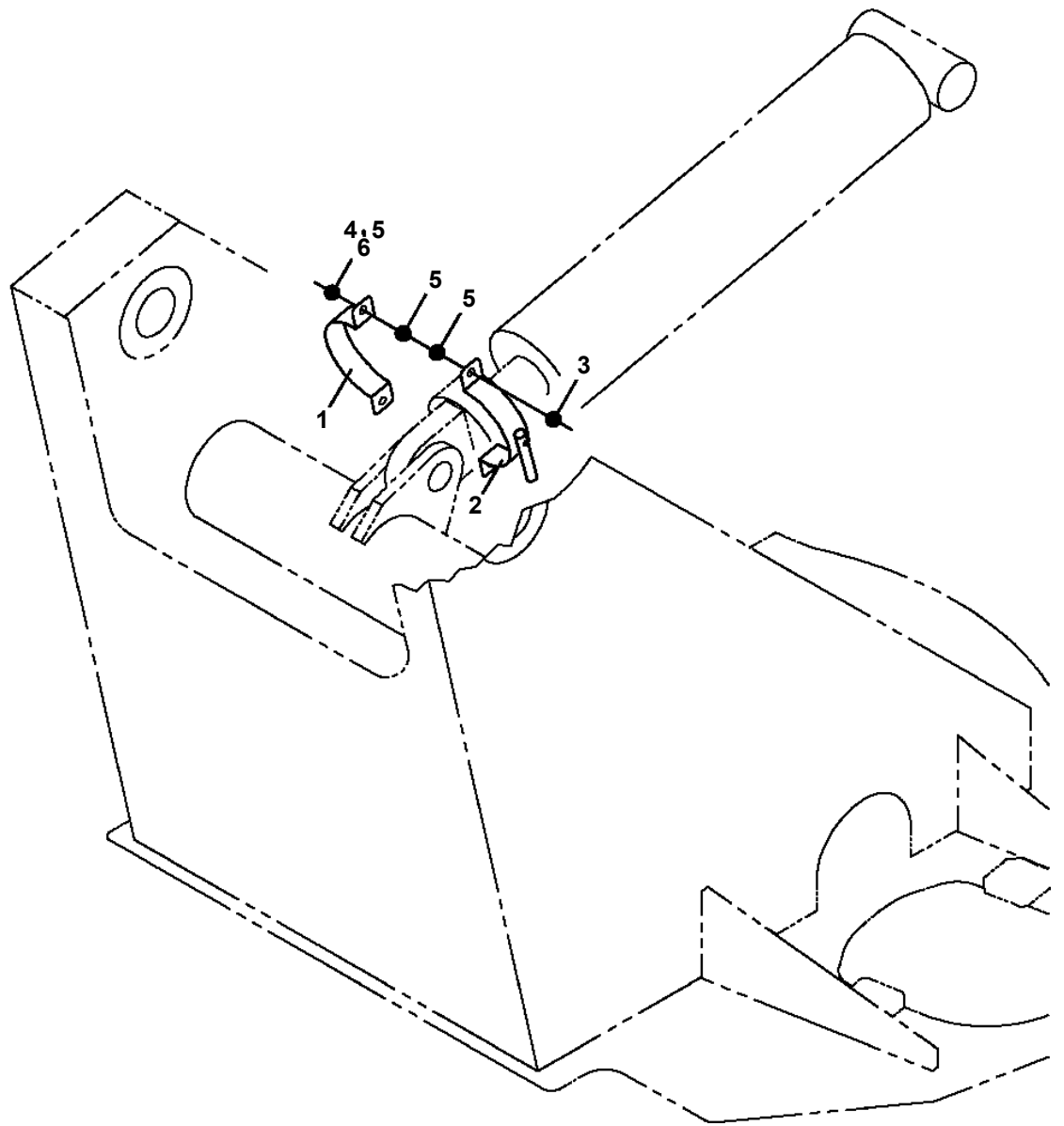
配線系統図

**AT-147-3 43010100002 UPPER
PX5260017-02 MOUNT ASSY,COVER (BOOM)**

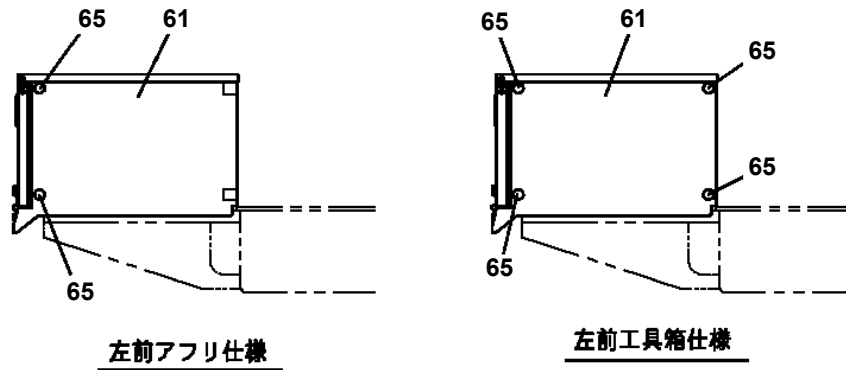
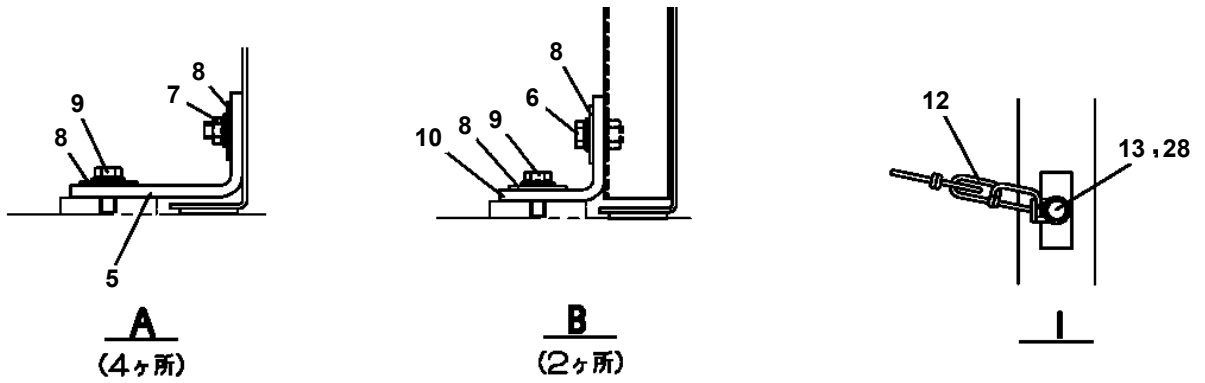


**展開圖有
ILLUSTRATED BREAKDOWN NO. 28**

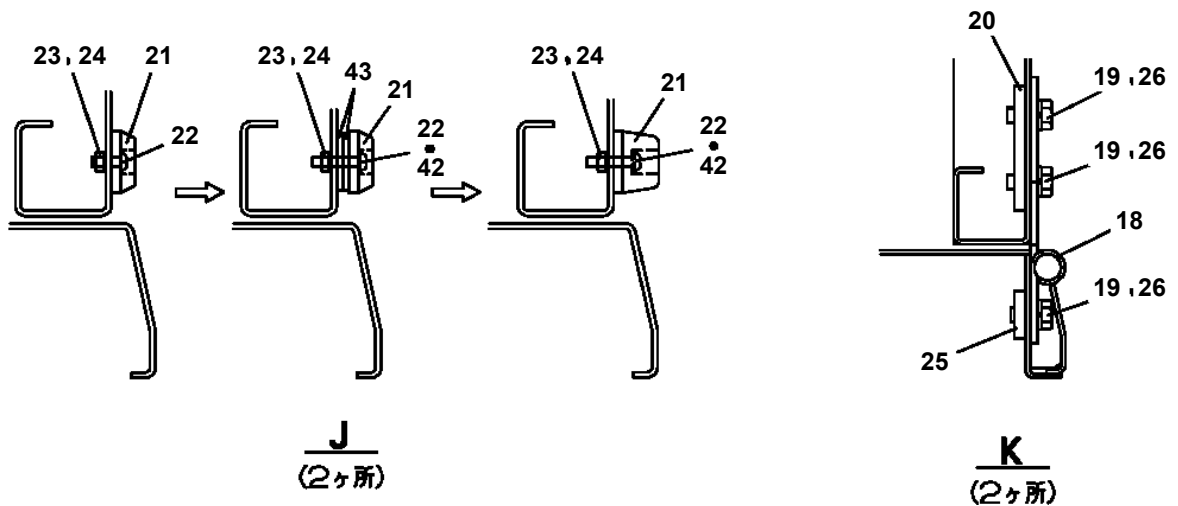
AT-147-3 43010100002 UPPER
PX5690010-00 MOUNT ASSY,SUPPORT



**AT-147-3 43010100002 UPPER
PX5780245-01 MOUNT ASSY, TOOL BOX (RIGHT/F:RACK,R:1DECKER)**



N



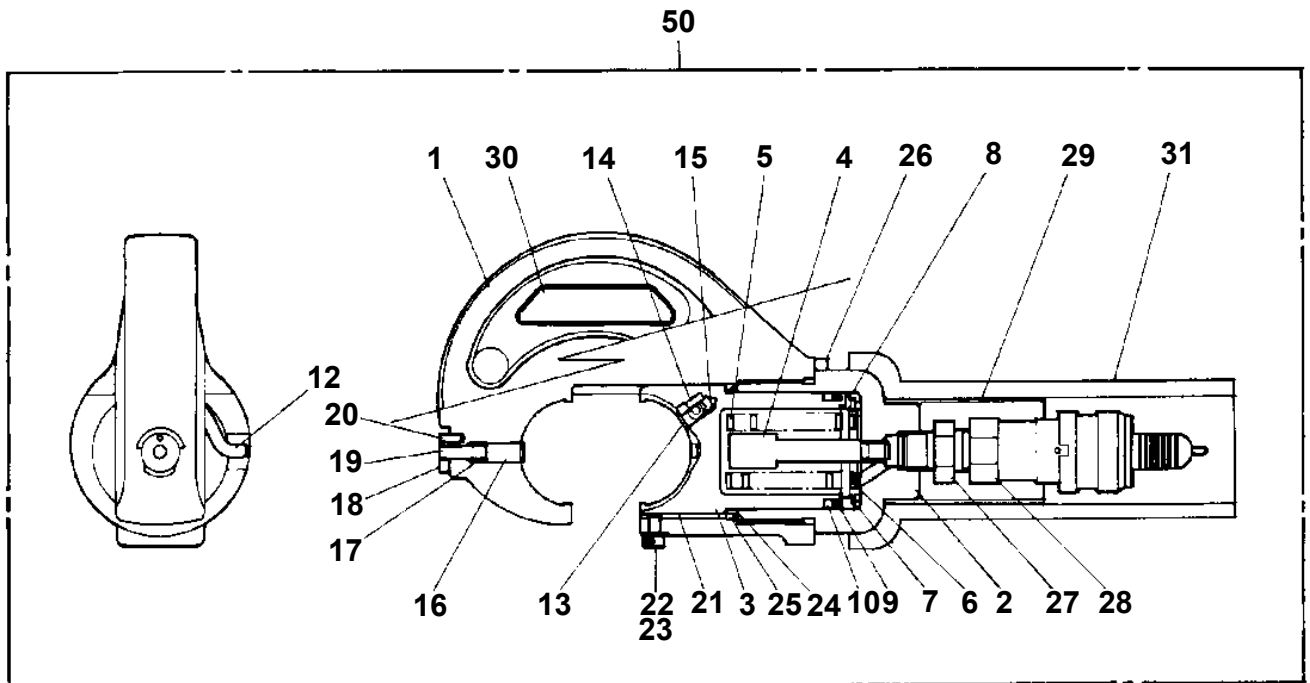
AT-147-3 43010100002 UPPER
PY1020001-10 OPTION UNIT,2

| 符号 | 日本語名称 | 英語名称 | 備考 |
|-----|----------------------|----------------|---|
| 58 | サポ-トASSY | SUPPORT ASSY | 北陸電工向け シ- プ 後端金具一式 (閉閉器支持工法用) |
| 59 | ランプ | LAMP | 12V60W, シカ- ライター- プ ラク- ツキ |
| 60 | マウントASSY (ランプ) | MOUNT ASSY | NTT・TE (四国) 向け ハ- ケット用ランプ サポ- ト |
| 61 | ホ- ンプ, グ- リース | PUMP, GREASE | |
| 62 | ツールASSY | TOOL ASSY | |
| 63 | レンチ, オフセット | WRENCH, OFFSET | 10X13 |
| 64 | ウエツジ | WEDGE | 黄色歯止め |
| 65 | ブ- ロック, ウツト | BLOCK, WOOD | 木製盤木 |
| 66 | ブ- ロック, ウツト | BLOCK, WOOD | 関西電力向け 木製盤木 t150 |
| 68 | ウツト- ブ- ロック | WOOD BLOCK | 関西電力向け 扇着式木製盤木 |
| 69 | ア-スASSY | EARTH ASSY | ア-ス棒、ケーブ- ル付 |
| 70 | ケーブ- ルASSY | CABLE ASSY | 北海道電力向け 充電用10mケーブ- ル |
| 71 | シ- プ ASSY | JIB ASSY | 一体型先端FRPサポ- ト (色: グ- レー) アイチ対応絶縁シ- プ (色: グ- レー) |
| 72 | ホ- ツクス | BOX | タ- ンハ- ト製造工具箱 |
| 73 | ステップ ASSY (キャブ- 昇降用) | STEP ASSY | いすゞKR用ステップ |
| 74 | ランプ ASSY | LAMP ASSY | 北陸電工向け 回転灯、保護カバー付 |
| 75 | ア-スASSY | EARTH ASSY | 移動式ア-スリール |
| 76 | カバー ASSY | COVER ASSY | きんでん向け アプリ布カバー |
| 87 | カバー ASSY | COVER ASSY | AT-146-3 札幌電工用 ハ- ケット操作部カバー- 対応布カバー |
| 89 | ア-ムASSY | ARM ASSY | AT-145-2用荷込みFRPシ- プ用 碇子付ホルタ-, ホツトステイツク付 |
| 92 | ハ- ツテリASSY | BATTERY ASSY | 上部ハ- ツテリ Panasonic |
| 95 | ケーブ- ルASSY | CABLE ASSY | ハ- プ 日立工業製インハ- タユニット プ- ログ- ラム管換用PC接軸ケーブ- ル |
| 96 | アクセサリ | ACCESSORIES | ハ- ケットインナー中敷 |
| 97 | ウエツジ | WEDGE | 歯止め (黒色) |
| 98 | ブ- ロック, ラバ- | BLOCK, RUBBER | コ- ム製盤木 シ- ヤステイン (K355X t50) |
| 99 | ア-ムASSY | ARM ASSY | 丸電工用 アイチ製板支持用板ア-ム&四面ローラ |
| 101 | ベ- ルト | BELT | キャブ- 乗込み用ベ- ルト (FLJ対応) |
| 102 | サポ- ト | SUPPORT | 7度角度計 (島商事) 取付サポ- ト (日野・いすゞ車用) 積込み部品 |
| 103 | シ- プ ASSY | JIB ASSY | 北陸電力 配電ロボット I型サブア-ム用FRPジブ |

適用製造番号によっては取り付けがないものもあります。

MACHINES OF SOME SERIAL NO. ARE NOT EQUIPPED WITH THESE PARTS.

AT-147-3 43010100002 UPPER
PY1050007-00 CLAMP HEAD (SANWA,12TON)

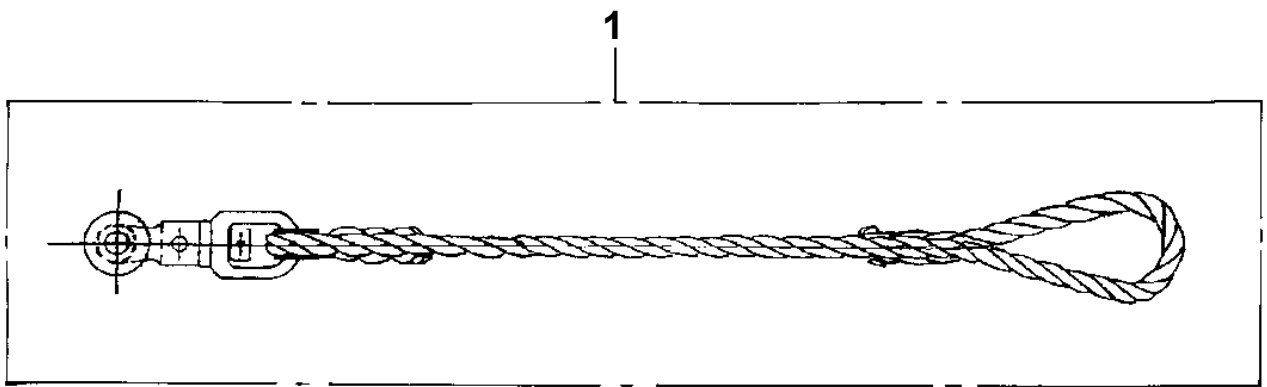


AT-147-3 43010100002 UPPER

| Pos No. | Parts No | Parts Name | Qty | Unit | Technical Data | Serial No (Start) | Serial No (End) | F |
|---------|-------------|--------------------------------|-----|------|----------------|-------------------|-----------------|---|
| 1 | 42470530000 | CUTTER HEAD (IZUMI 6.4TON AIR) | 1 | | | | | |
| 2 | 42470537510 | BOLT | 2 | | | | | |
| 3 | 42470537520 | NUT | 2 | | M8 | | | |

**AT-147-3 43010100002 UPPER
PY1070003-00 ROPE (SAFETY,WHITE)**

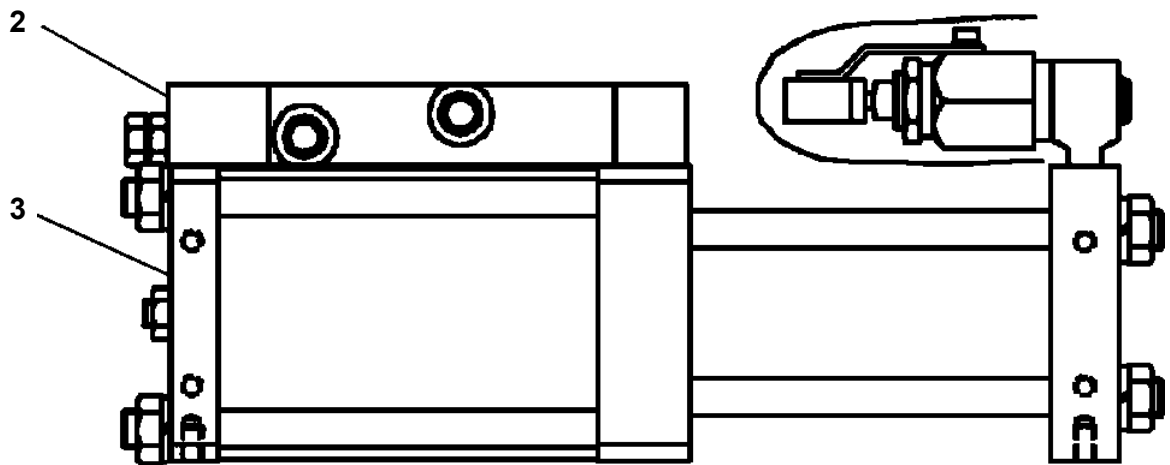
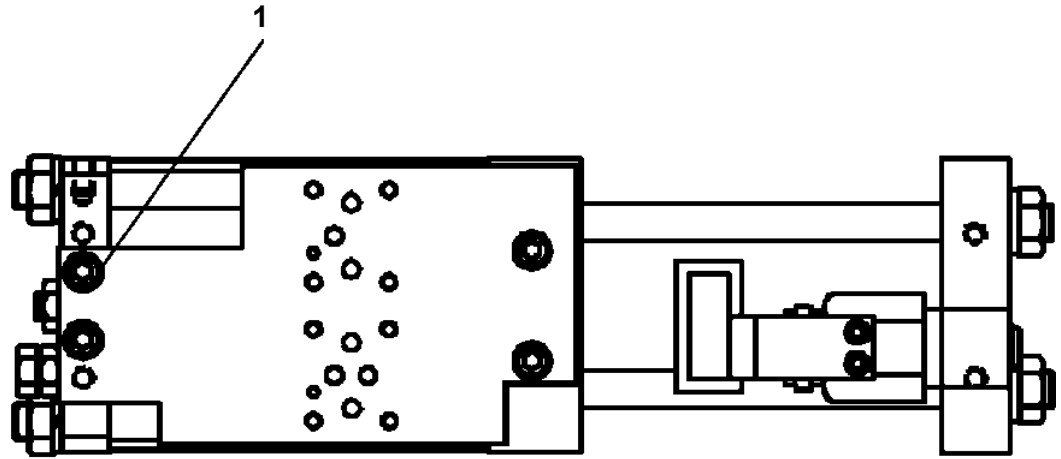
Assembly Name ROPE (SAFETY)



AT-147-3 4301010002 UPPER

| Pos No. | Parts No | Parts Name | Qty | Unit | Technical Data | Serial No (Start) | Serial No (End) | Remarks | Pages |
|---------|-------------|--------------|-----|------|----------------|-------------------|-----------------|---------|-------|
| 1 | 42470121000 | ARM ASSY | 1 | | | | | | |
| 2 | 42470122000 | HOLDER | 3 | | | | | | |
| 3 | 42470123000 | CLAMP ASSY | 1 | | | | | | |
| 4 | 42470044000 | HOT STICK | 1 | | | | | | |
| 5 | 42476851000 | SUPPORT | 1 | | | | | | |
| 6 | 90101216130 | BOLT | 1 | | M16X130 | | | | |
| 7 | 90303071601 | WASHER,PLAIN | 2 | | 16 | | | | |
| 8 | 90201201600 | NUT | 2 | | M16 | | | | |
| 9 | 42220011200 | SUPPORT | 1 | | | | | | |
| 31 | 42470121100 | ARM | 1 | | | | | | |
| 32 | 42470121200 | CAP | 2 | | | | | | |

AT-147-3 43010100002 UPPER
PY1160206-01 BOOSTER



AT-147-3 4301010002 UPPER

| Pos No. | Parts No | Parts Name | Qty | Unit | Technical Data | Serial No (Start) | Serial No (End) | Remarks | Pages |
|---------|-------------|-----------------|-----|------|----------------|-------------------|-----------------|---------|-------|
| 2 | 80560057000 | BALL,STEEL | 1 | | 1/4 | | | | |
| | 80560057000 | BALL,STEEL | 1 | | 1/4 | | | | |
| 3 | 36052132020 | SEAT,SPRING | 1 | | | | 590401 | | |
| 4 | 12235104020 | SPRING | 1 | | | | 590401 | | |
| 5 | 80316030020 | PLUG | 1 | | PT1/8 | | 590401 | | |
| 7 | 36052132030 | PIN | 1 | | | | | | |
| | 36052132030 | PIN | 1 | | | | | | |
| 8 | 37001200350 | SPRING | 1 | | | | | | |
| | 37001200350 | SPRING | 1 | | | | | | |
| 9 | 90104212020 | BOLT | 1 | | M12X20 | | | | |
| | 90104212020 | BOLT | 1 | | M12X20 | | | | |
| 10 | 90201201200 | NUT | 1 | | M12 | | | | |
| | 90201201200 | NUT | 1 | | M12 | | | | |
| 11 | 91002800700 | O-RING | 1 | | 1B P7 | | | | |
| | 91002800700 | O-RING | 1 | | 1B P7 | | | | |
| 12 | 80316030010 | PLUG | 14 | | NPTF1-16 | | 590411 | | |
| | 36053842040 | PLUG | 14 | | | 590412 | | | |
| | 36053842040 | PLUG | 14 | | | 590412 | | | |
| 13 | 36052132040 | ORIFICE | 1 | | 1/16 | | | | |
| | 36052132040 | ORIFICE | 1 | | 1/16 | | | | |
| 24 | 36042042030 | SPRING | 1 | | | 590402 | | | |
| | 36042042030 | SPRING | 1 | | | 590402 | | | |
| 25 | 36053842020 | PLUG | 1 | | | 590402 | 590410 | | |
| | 36053842021 | PLUG | 1 | | | 590411 | | | |
| | 36053842021 | PLUG | 1 | | | 590411 | | | |
| 100 | 36053842000 | BOOSTER (JOINT) | 1 | | | | | | |
| | 36053842000 | BOOSTER (JOINT) | 1 | | | | | | |

CLICK HERE TO **DOWNLOAD** THE COMPLETE MANUAL

- Thank you very much for reading the preview of the manual.
- You can download the complete manual from: www.heydownloads.com by clicking the link below



- Please note: If there is no response to CLICKING the link, please download this PDF first and then click on it.

CLICK HERE TO **DOWNLOAD** THE COMPLETE MANUAL