

AT-147-1 42096120300 LOWER,MITSUBISHI KK-53EBX6K2

PO1000149-00 INDICATION PLATES

PW1000109-01 ACCESSORIES & TOOLS

PX2000265-00 CARRIER UNIT

PX3000190-00 MOUNTING UNIT

PY1000646-01 OPTIONS,1

PY2000097-00 OPTIONS,2

ASSEMBLY

CLICK HERE TO **DOWNLOAD** THE COMPLETE MANUAL

- Thank you very much for reading the preview of the manual.
- You can download the complete manual from: www.heydownloads.com by clicking the link below



- Please note: If there is no response to CLICKING the link, please download this PDF first and then click on it.

CLICK HERE TO **DOWNLOAD** THE COMPLETE MANUAL

AT-147-1 42096120300 LOWER,MITSUBISHI KK-53EBX6K2

Pos No.	Parts No	Parts Name	Qty	Unit	Technical Data	Serial No (Start)	S
1	(*****)	POWER SUPPLY (LOWER HYDRAULIC OUTLET)	1				
2	(*****)	VIEW SYSTEM (MONITOR:CLARION/MITHUBSHI)	1				
	(*****)	VIEW SYSTEM (MONITOR:ICHIKOH/MITSUBISHI)	1				
	(*****)	VIEW SYSTEM (MONITOR:ICHIKOH/MITSUBISHI)	1			590173	
3	(*****)	VIEW SYSTEM (CAMERA/CLARION)	1				
	(*****)	VIEW SYSTEM (CAMERA/ICHIKOH)	1				
4	(*****)	POWER SOURCE	1				
5	(*****)	LAMP (O/R FLICKER)	1				
6	(*****)	LAMP (O/R CONTROL PANEL)	1				
7	(*****)	LAMP (LEVEL)	1				
8	(*****)	WOOD BLOCK (W=350,H=80)	1				
	42731680000	WOOD BLOCK (WITH RUBBER,T=80)	1				
	42738221000	WOOD BLOCK (KANSAI DENRYOKU/DETACHABLE)	1				
10	(*****)	BOOSTER (LOWER HYDRAULIC OUTLET)	1				
11	(*****)	EARTHING DEVICE	1				

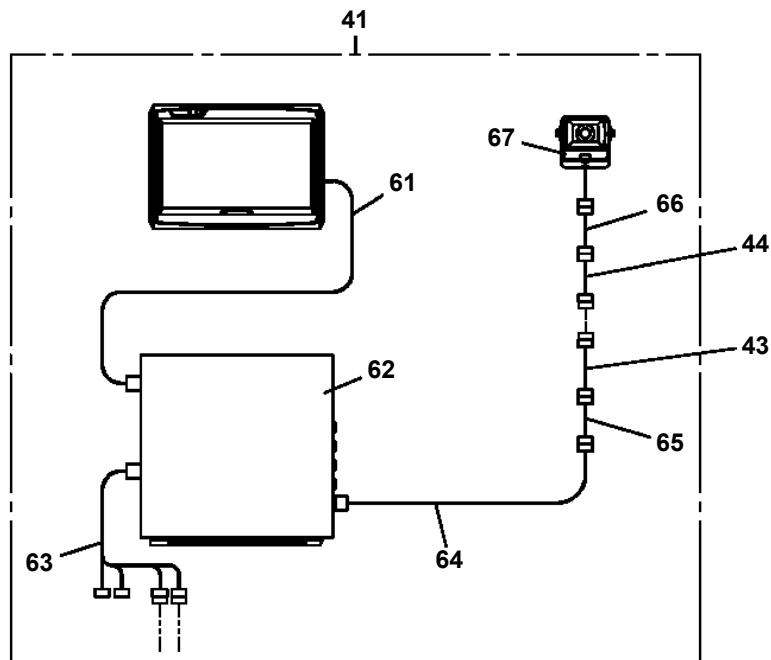
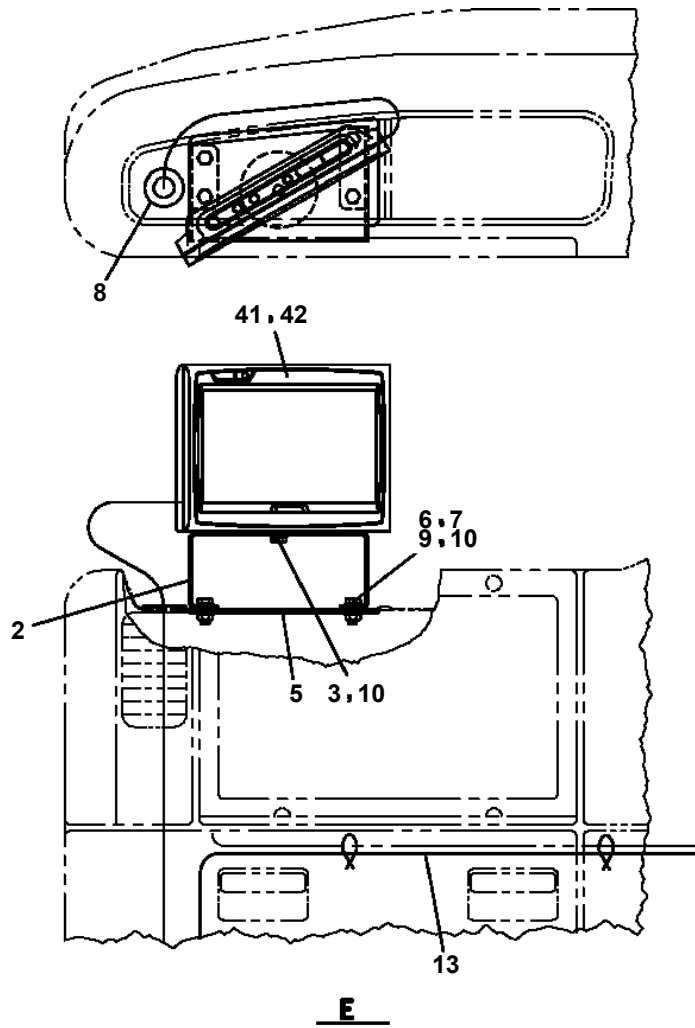
AT-147-1 42096120300 LOWER,MITSUBISHI KK-53EBX6K2

Pos No.	Parts No	Parts Name	Qty	Unit	Technical Data	Serial No (Start)	Serial No (End)	Remarks	Pages
3	90302040601	WASHER,SPRING	1		6				
4	90201200600	NUT	1		M6				
6	37000504100	SUPPORT	1				590195		
7	90303070801	WASHER,PLAIN	2		8				
10	42790801000	SUPPORT	1			590196			
22	36401630000	POWER TAKE OFF	1				590195		00000
23	36401630001	POWER TAKE OFF	1			590196			00000

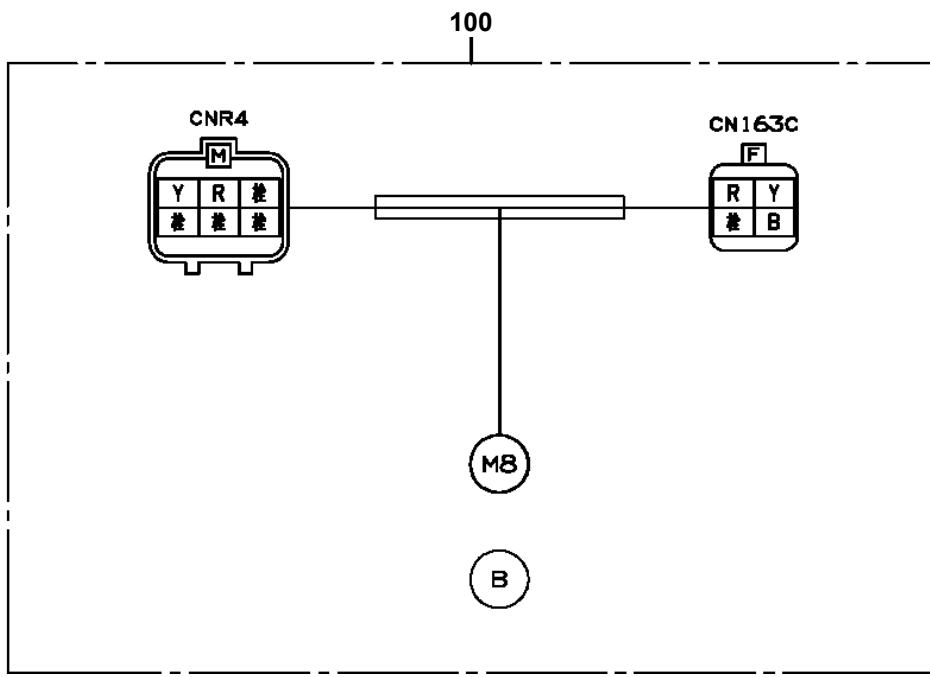
AT-147-1 42096120300 LOWER,MITSUBISHI KK-53EBX6K2

Pos No.	Parts No	Parts Name	Qty	Unit	Technical Data	Serial No (Start)	Serial No (End)	Remarks	Pages
1	42442142100	SUPPORT	1						
2	90101208014	BOLT	10		M8X14				
3	90302040801	WASHER,SPRING	10		8				
4	90303070801	WASHER,PLAIN	2		8				
6	42441622400	SUPPORT	1						
7	42441622700	CUSHION	2						
8	90101206016	BOLT	4		M6X16				
9	37000551250	PLATE	4						
21	42441622300	SUPPORT	1						
22	42693793300	SUPPORT	1						
23	82430153010	KNOB	1						
24	90101212030	BOLT	1		M12X30				
25	42693793400	ROD	1						
26	37000311380	PIN	2						
27	37000169080	PIN	2						
28	80601110100	RING,RITAINING	4		S10				
29	80172803006	SCREW,MACHINE	2		M3X6				
30	90302040301	WASHER,SPRING	2		3				

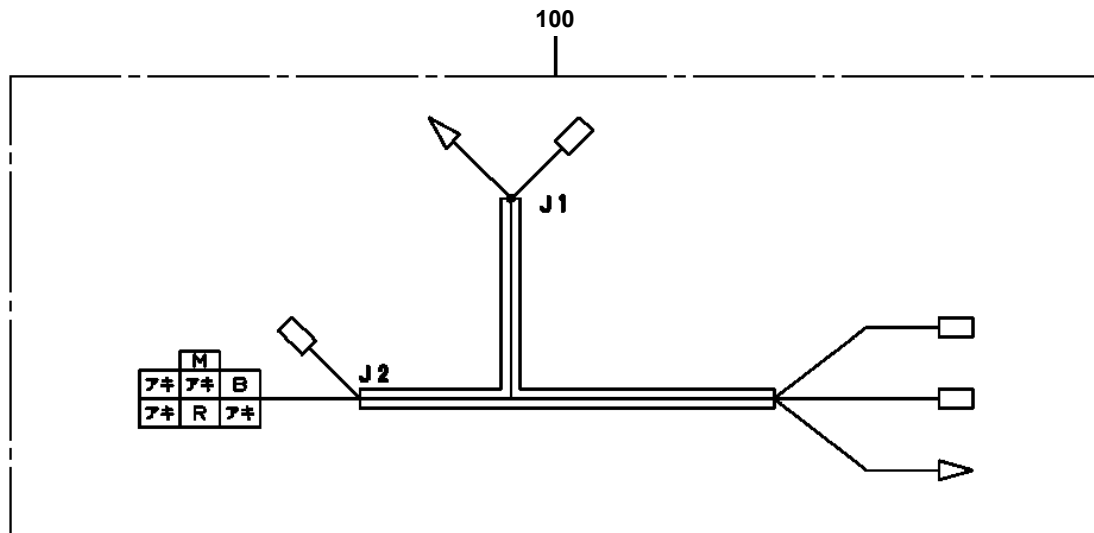
AT-147-1 42096120300 LOWER, MITSUBISHI KK-53EBX6K2
PH1700147-00 VIEW SYSTEM (MONITOR: CLARION/ MITSUBISHI)



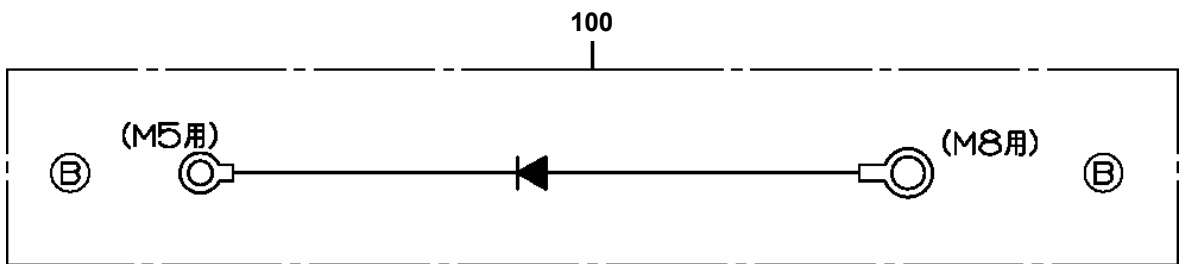
AT-147-1 42096120300 LOWER,MITSUBISHI KK-53EBX6K2
PH5031068-00 HARNESS



AT-147-1 42096120300 LOWER, MITSUBISHI KK-53EBX6K2
PH5033104-00 HARNESS

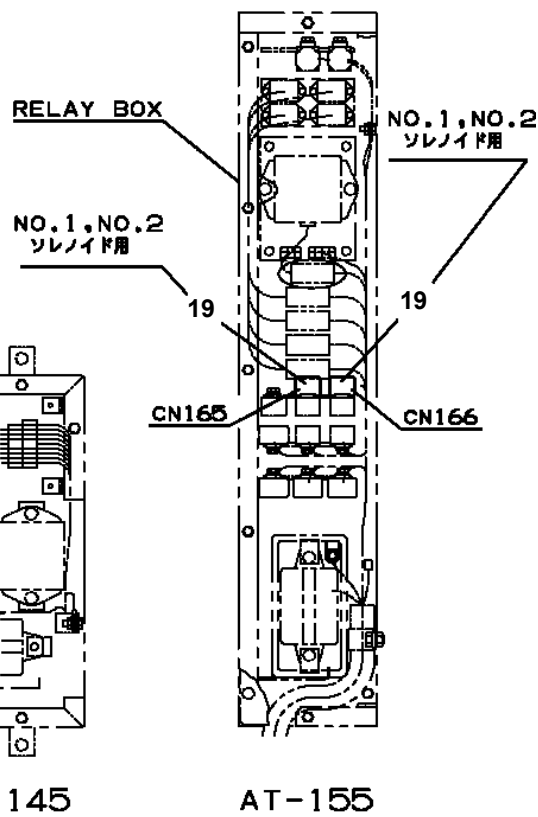
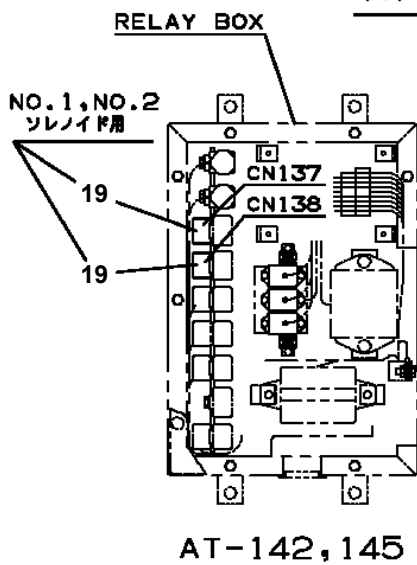
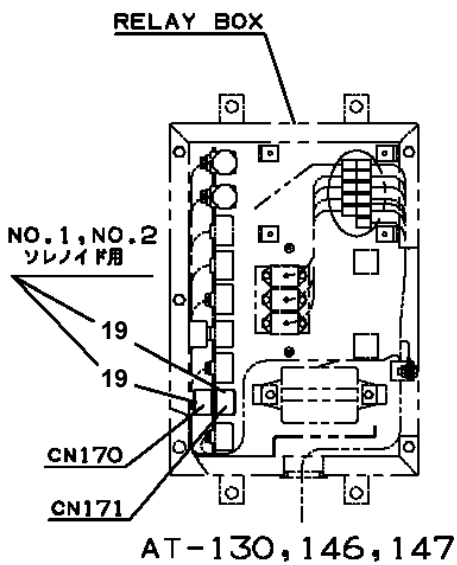
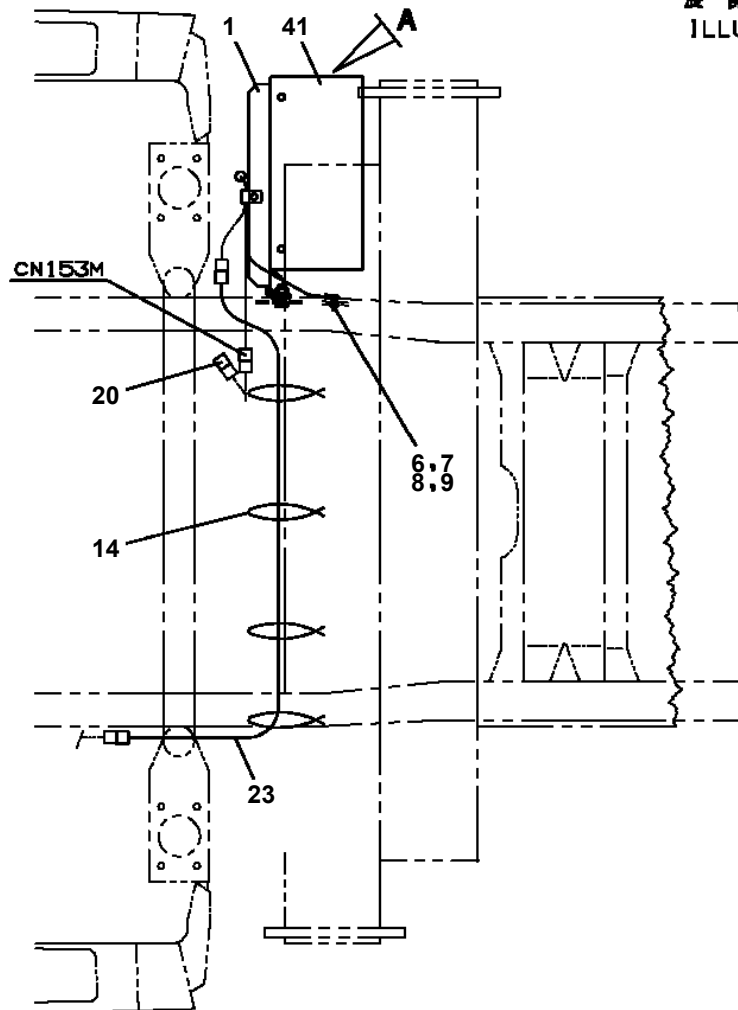


AT-147-1 42096120300 LOWER,MITSUBISHI KK-53EBX6K2
PH5034452-00 HARNESS



**AT-147-1 42096120300 LOWER, MITSUBISHI KK-53EBX6K2
 PL1030802-05 OPE.ASSY, ACCELERATOR**

展開図有
 ILLUSTRATED BREAKDOWN NO.41



CLICK HERE TO **DOWNLOAD** THE COMPLETE MANUAL

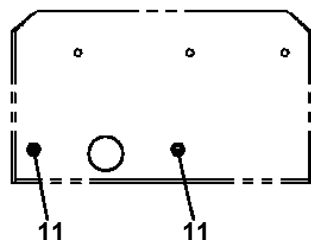
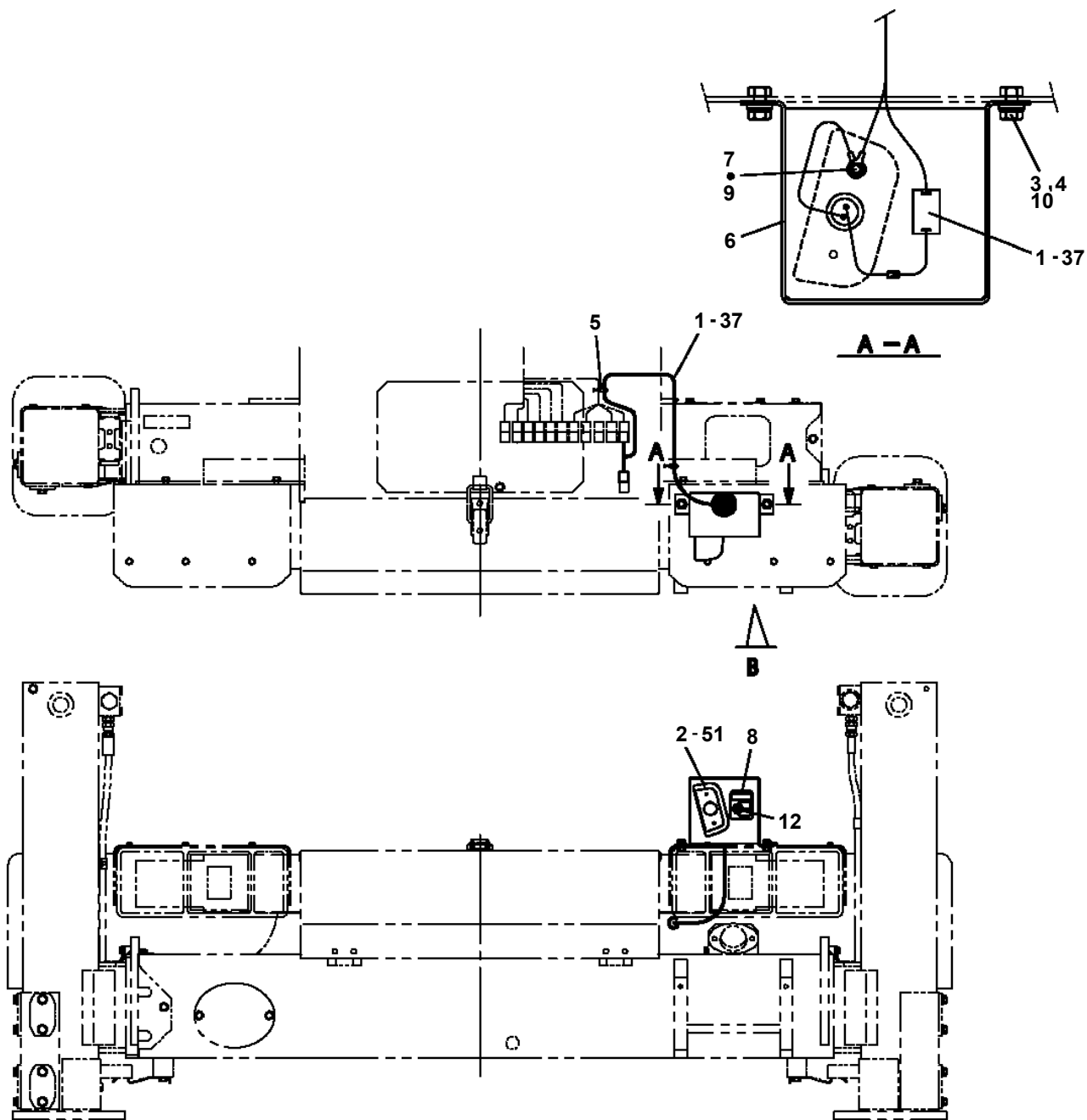
- Thank you very much for reading the preview of the manual.
- You can download the complete manual from: www.heydownloads.com by clicking the link below



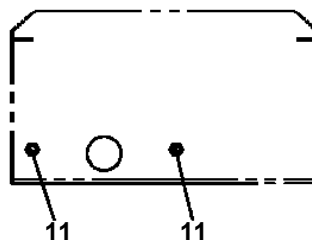
- Please note: If there is no response to CLICKING the link, please download this PDF first and then click on it.

CLICK HERE TO **DOWNLOAD** THE COMPLETE MANUAL

AT-147-1 42096120300 LOWER, MITSUBISHI KK-53EBX6K2
 PN1080110-00 LAMP (O/R CONTROL PANEL)

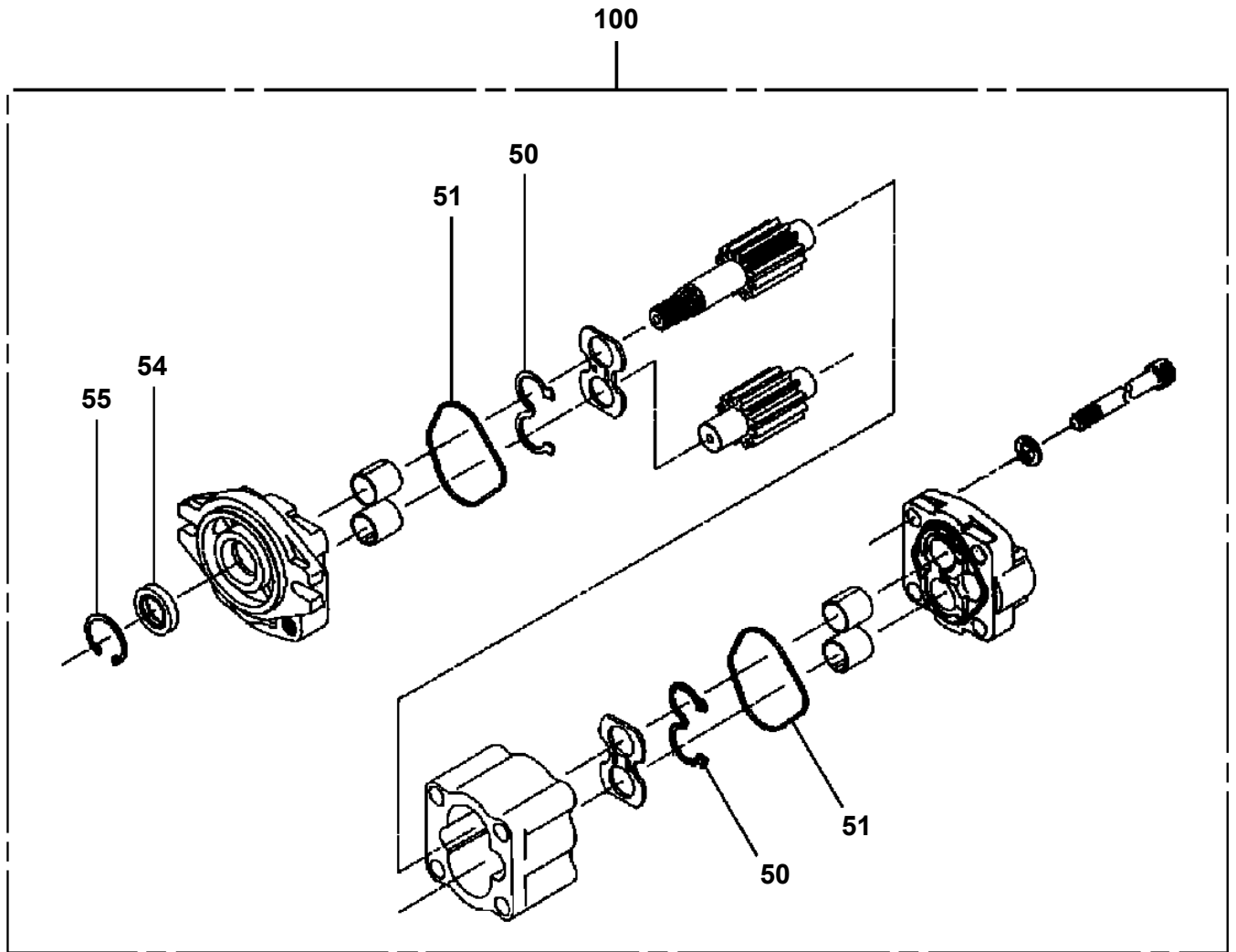


サポート夜油ランプ
 (三菱・トヨタ・日産)

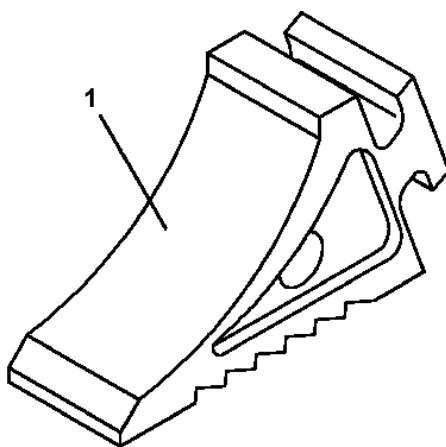


サポート夜油ランプ
 (いすゞ・日産)

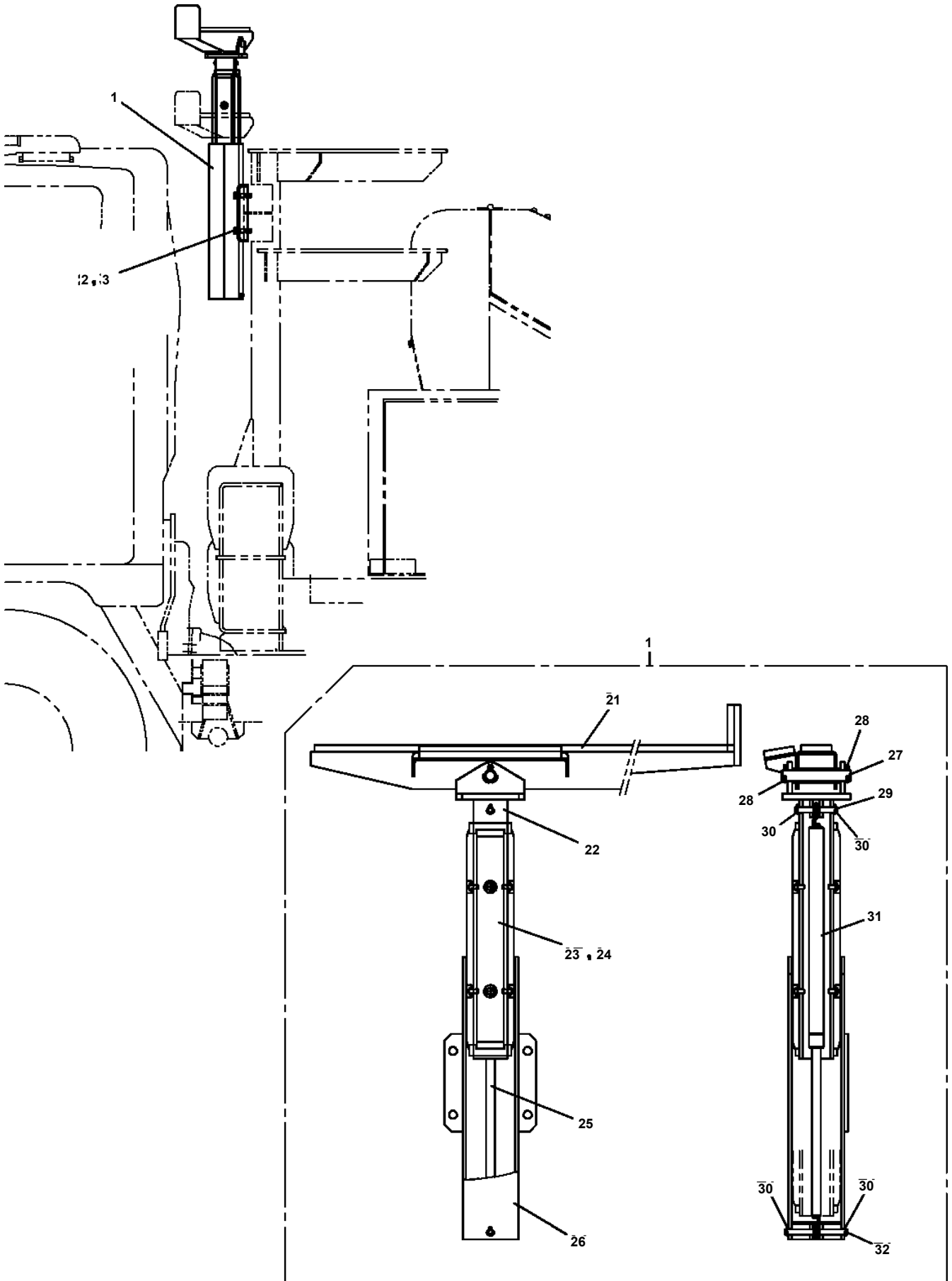
AT-147-1 42096120300 LOWER, MITSUBISHI KK-53EBX6K2
PP5500003-00 PUMP, OIL (32CC:L)



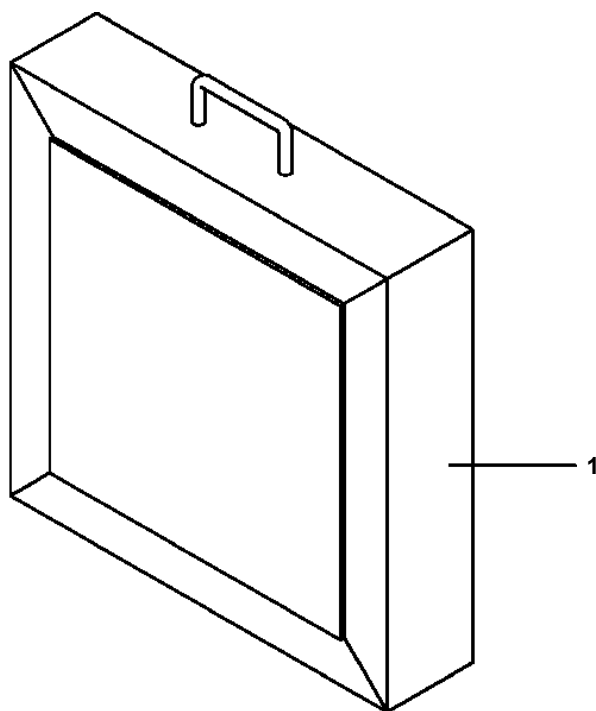
**AT-147-1 42096120300 LOWER, MITSUBISHI KK-53EBX6K2
PW1050018-01 WEDGE (STOPPER FOR TIRE/JUSTIN)**



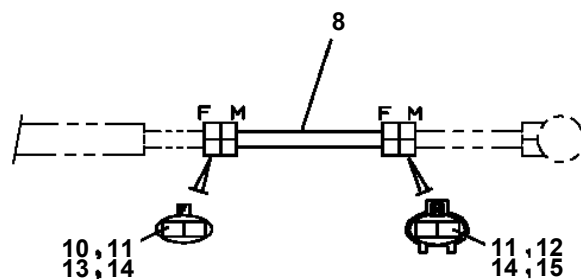
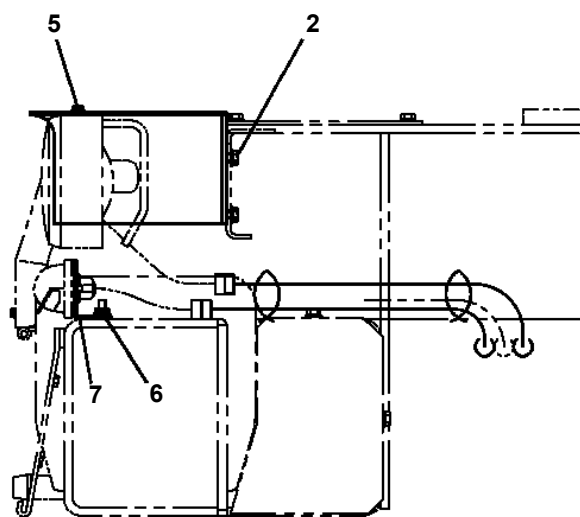
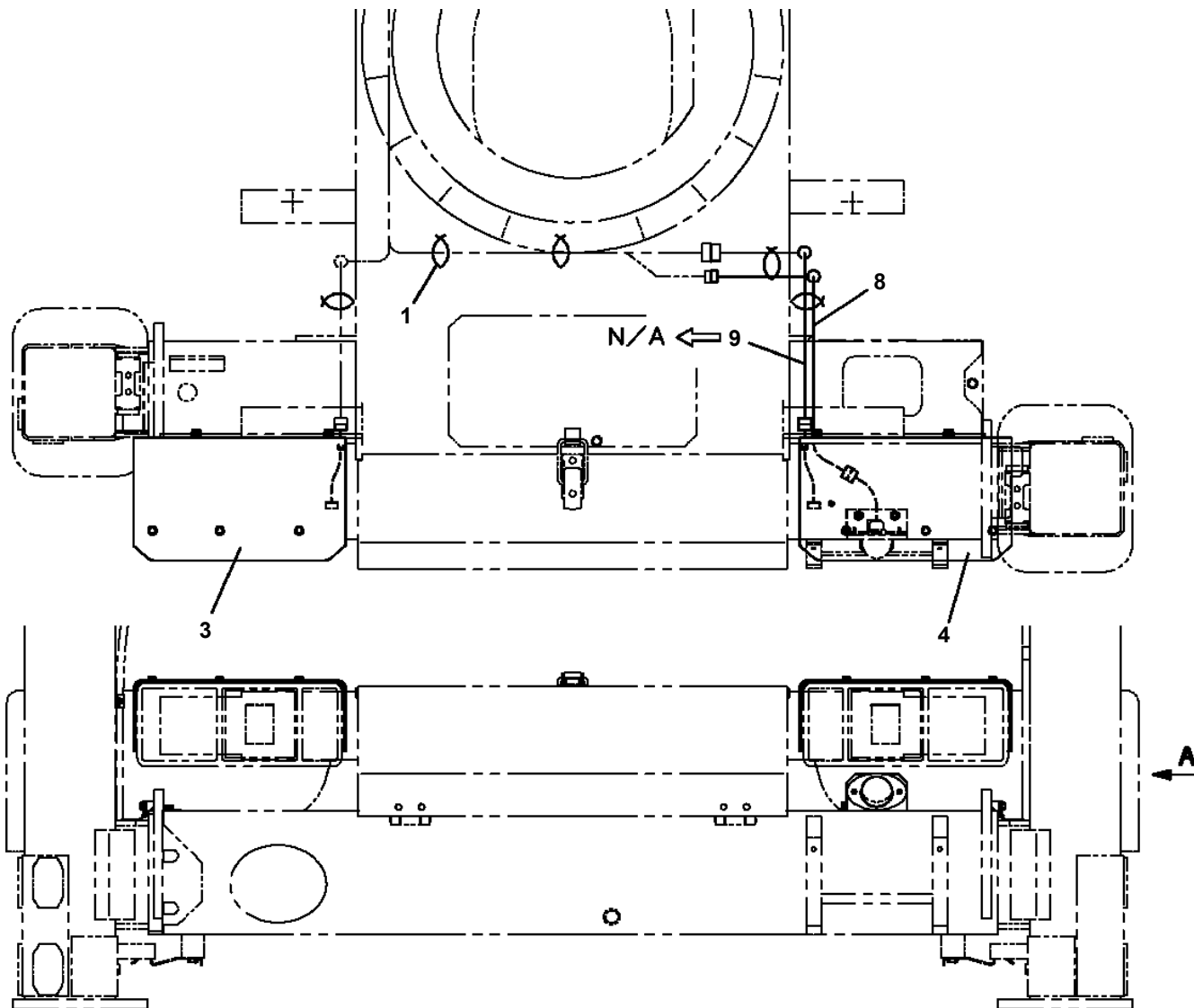
AT-147-1 42096120300 LOWER, MITSUBISHI KK-53EBX6K2
PX1130012-00 BUCKET REST



AT-147-1 42096120300 LOWER, MITSUBISHI KK-53EBX6K2
PX1270086-01 WOOD BLOCK (W=350,H=80)



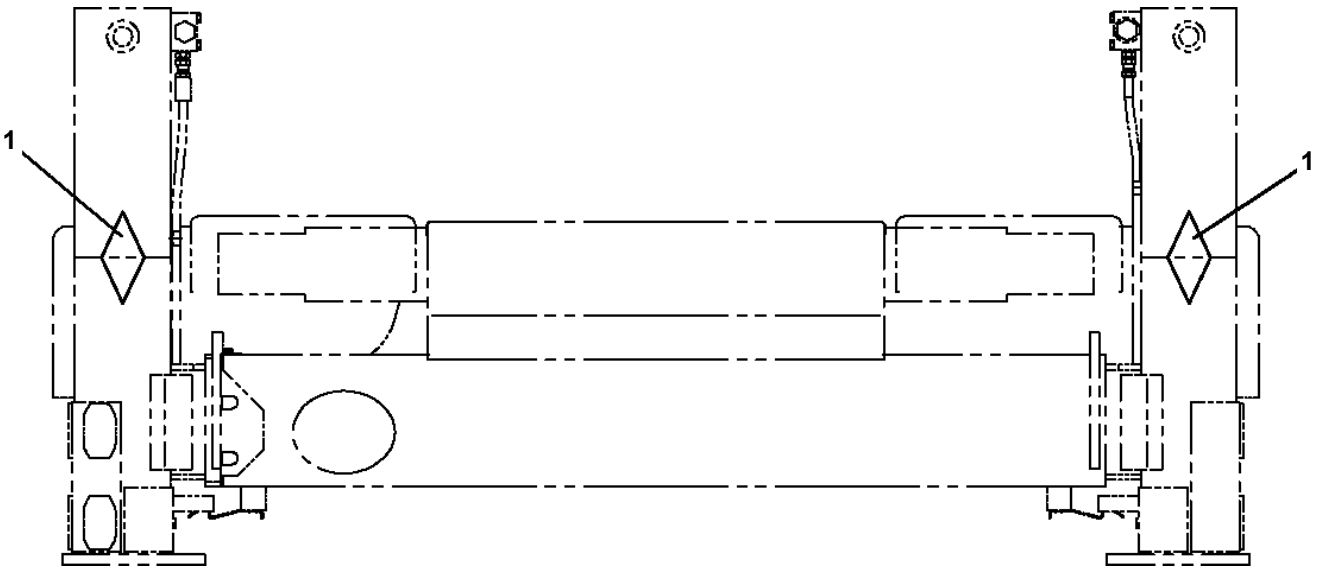
AT-147-1 42096120300 LOWER, MITSUBISHI KK-53EBX6K2
 PX1310100-04 MOUNT, LAMP (TAIL)



ライセンスプレートランプハーネス延長

A

AT-147-1 42096120300 LOWER, MITSUBISHI KK-53EBX6K2
PX1360029-00 REFLECTOR (REAR)



AT-147-1 42096120300 LOWER,MITSUBISHI KK-53EBX6K2

Pos No.	Parts No	Parts Name	Qty	Unit	Technical Data	Serial No (Start)	Serial No (End)	Remarks	Pages
1	42895480100	SUPPORT	1						
2	42895480200	ROD	1						
3	90171112025	BOLT	4		M12X25				
4	90302041201	WASHER,SPRING	4		12				
5	90101208016	BOLT	4		M8X16				
6	90302040801	WASHER,SPRING	4		8				
7	80720106032	PIN,SPRING	1		6X32				
8	42780030170	PLATE	1						

AT-147-1 42096120300 LOWER,MITSUBISHI KK-53EBX6K2

Pos No.	Parts No	Parts Name	Qty	Unit	Technical Data	Serial No (Start)	Serial No (End)	Remarks
1	42736054010	COVER (SIDE,A)	1					
2	91002803900	O-RING	1		1B P39			
3	91411003900	RING,BACKUP	1		P39			
4	36052131520	TUBE	1					
5	36050345020	HEAD	1					
6	12235104020	SPRING	1					
7	80560061000	BALL,STEEL	1		3/8			
8	36050345030	PACKING SET	1					
9	36052131530	COVER (SIDE,B)	1					
10	91002907000	O-RING	1		1B G70			
11	91001104200	O-RING	1		1A P42			
12	91411004200	RING,BACKUP	1		P42			
13	91002909500	O-RING	2		1B G95			
14	36052131540	ROD,PUSH	1					
15	36052131550	ROD	1					
16	36052131560	TUBE	1					
17	36050345090	PISTON	1					
18	91001109000	O-RING	1		1A P90			
19	91411009000	RING,BACKUP	2		P90			
20	91002802600	O-RING	1		1B P26			
21	91002801200	O-RING	1		1B P12			
22	36050125130	BUSH	1					
23	91001100800	O-RING	1		1A P8			
24	91411000800	RING,BACKUP	1					
25	80602110170	RING,RITAINING	1		R17			
26	91002800800	O-RING	1		1B P8			
27	91002801000	O-RING	3		1B P10			
28	36050125110	NUT	1					
29	90740006060	SCREW,SET	1		M6X6			
30	36050845012	COVER (SIDE)	1					
31	90201201000	NUT	1		M10			
32	36052131570	BOLT,STUD	8					
33	36050801400	WASHER,PLAIN	8					
34	90209701400	NUT	8		M14			
35	90131505015	BOLT,HEXAGON SOCKET	4		M5X15			
36	42475952000	SWITCH,BOOSTER	1					
37	42736054200	PLATE ASSY (SUB)	1					
38	90131508040	BOLT,HEXAGON SOCKET	4		M8X40			
50	42736054000	BOOSTER	1					

CLICK HERE TO **DOWNLOAD** THE COMPLETE MANUAL

- Thank you very much for reading the preview of the manual.
- You can download the complete manual from: www.heydownloads.com by clicking the link below



- Please note: If there is no response to CLICKING the link, please download this PDF first and then click on it.

CLICK HERE TO **DOWNLOAD** THE COMPLETE MANUAL