

AT-146-3 4301110022 UPPER

PD2000204-01 SWING UNIT
PF1000674-00 WINCH SYSTEM
PG2000267-00 BOOM UNIT
PH1000550-00 SAFETY DEVICES (MOTION CONTROLLER)
PJ3000511-00 BUCKET SYSTEM
PJ5000003-00 BOOSTER UNIT
PK2001227-01 FRAME UNIT
PO1000171-00 INDICATION PLATES
PW1000118-00 ACCESSORIES & TOOLS
PX1001119-00 MOUNTING PARTS
PY1001439-00 OPTIONS
ASSEMBLY

CLICK HERE TO **DOWNLOAD** THE COMPLETE MANUAL

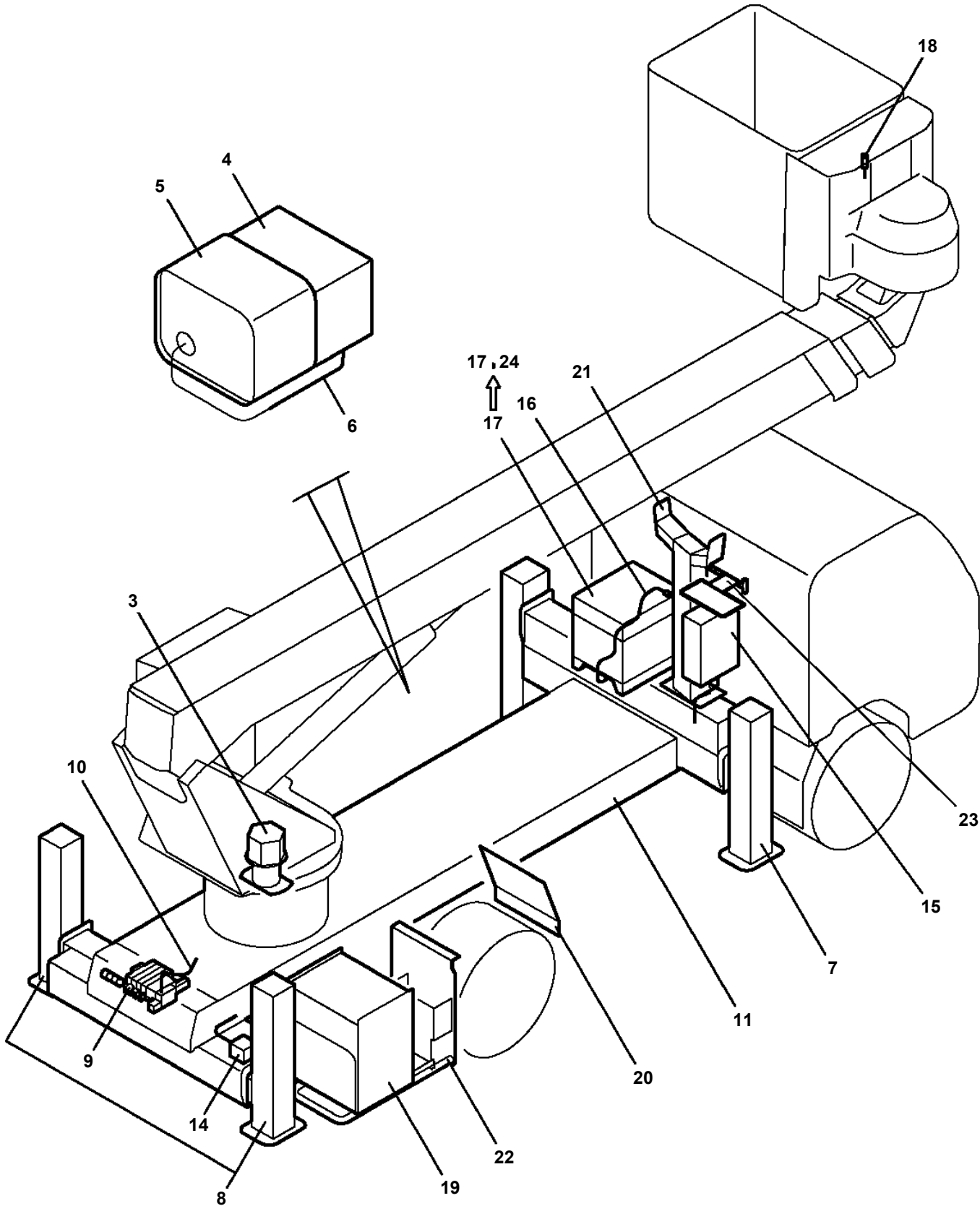
- Thank you very much for reading the preview of the manual.
- You can download the complete manual from: www.heydownloads.com by clicking the link below



- Please note: If there is no response to CLICKING the link, please download this PDF first and then click on it.

CLICK HERE TO **DOWNLOAD** THE COMPLETE MANUAL

**AT-146-3 43011100022 UPPER
PK2001227-01 FRAME UNIT**

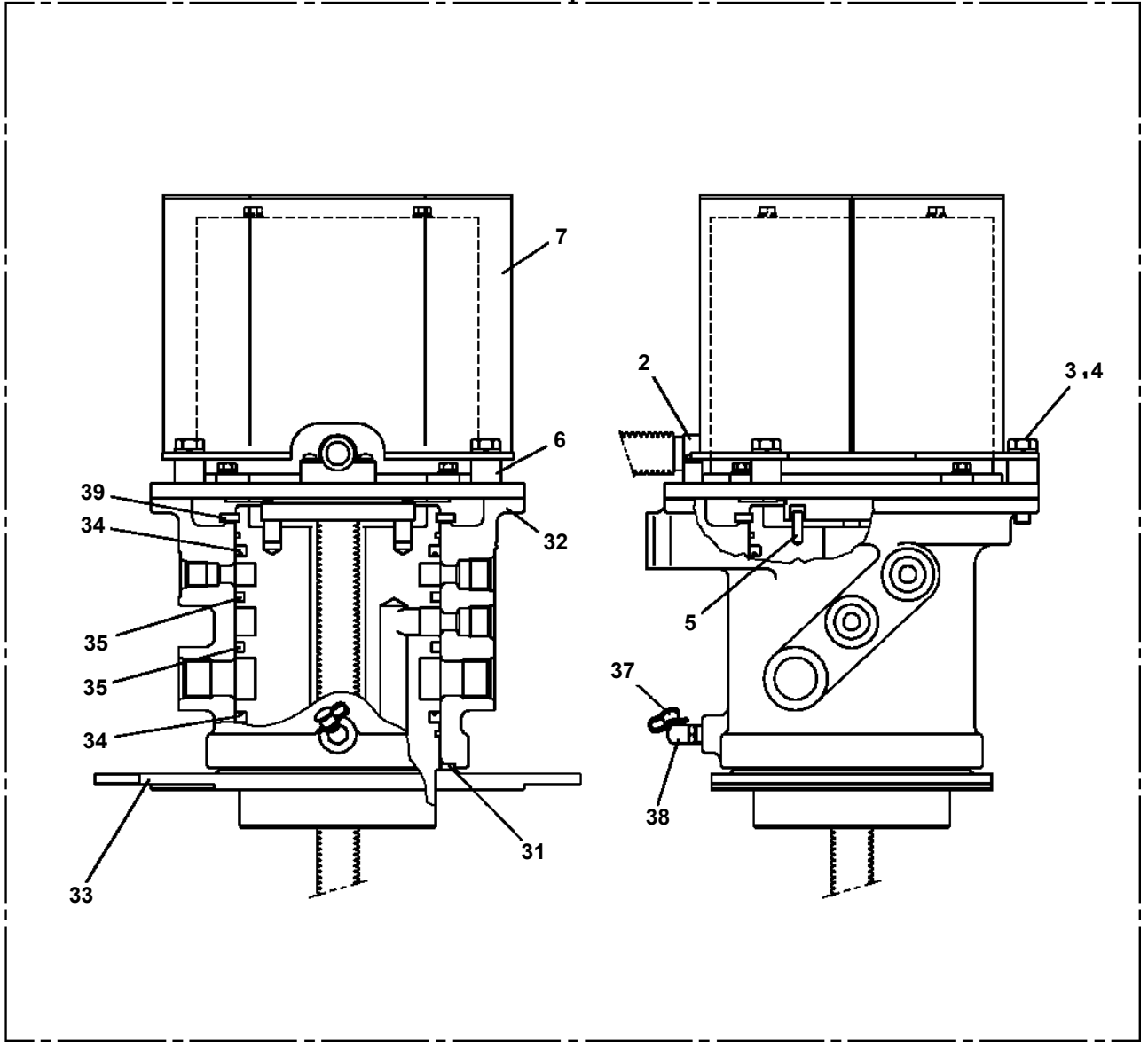


AT-146-3 43011100022 UPPER

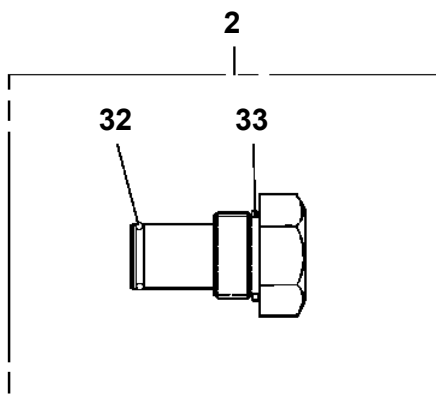
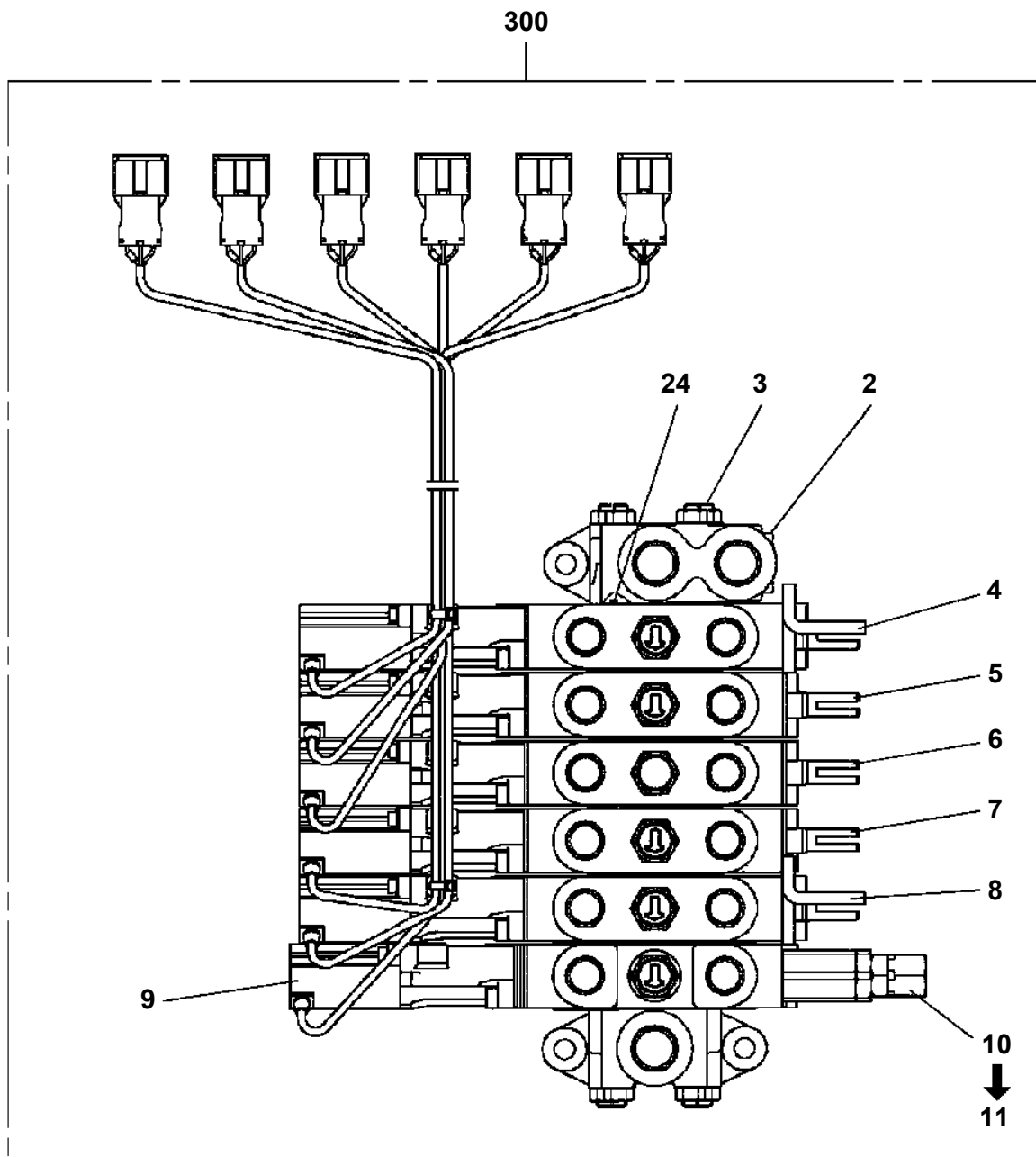
PH5032428-00 HARNESS (MAIN)
PH5032453-00 HARNESS
PH5032500-00 HARNESS
PH5032593-00 HARNESS
PH5033252-00 HARNESS
PH5033350-00 HARNESS (MAIN)
PH5033366-00 HARNESS
PH5033697-00 HARNESS
PH5033701-00 HARNESS
PH5034356-00 HARNESS
PH5034367-00 HARNESS
PH5034371-00 HARNESS
PH5034445-00 HARNESS
PH5034448-00 HARNESS
PH5080161-01 HOOK ASSY (MARTEC LOCKING HOOK/BK-7/8-10,2TON)
PH5100005-00 HOSE ASSY (BUCKET PANEL,SAFETY HOSE)
PI1010074-00 MOTOR,HYDRAULIC (SWING)
PI1010176-00 MOTOR,HYDRAULIC
PI1010224-00 MOTOR,HYDRAULIC
PI1100061-00 VALVE,RELIEF
PI1100135-00 VALVE,RELIEF
PI1120238-02 VALVE,SOLENOID
PI1120335-00 VALVE,SOLENOID
PI1120336-00 VALVE,SOLENOID
PI1140133-01 VALVE,CHECK
PI1140136-01 VALVE,CHECK
PI1140212-00 VALVE,CHECK
PI1140227-00 VALVE,CHECK
PI1250153-00 VALVE,COUNTERBALANCE
PI1280051-00 VALVE,PILOT CHECK
PI1300041-00 FILTER,OIL
PI1300048-01 FILTER,OIL
PI5170001-05 INTERLOCK ASSY (HINO≠TOYOTA,FOR NO.3 BRAKE)
PJ3010108-00 BUCKET (INNER CASE)
PJ3010320-00 BUCKET
PJ3020051-00 FRAME
PJ3040048-04 OPE.ASSY
PJ3200095-03 PIPING,BUCKET
PJ3240036-01 COVER (BUCKET,FRP,WHITE)
PJ3240037-00 COVER (CLOTH,WHITE)
PJ3340015-01 CYLINDER,LIFT (BUCKET)
PJ5050119-00 JIB ASSY
PJ5080040-00 JOINT ASSY
PK1011228-01 FRAME
PK1100464-00 SWING FRAME
PK1100488-00 SWING FRAME
PK1200454-03 COVER,SWING FRAME
PK1330364-01 COVER
PK1330378-00 COVER
PK1330419-00 COVER (EMERGENCY SWITCH KEY TYPE)
PK1330431-00 COVER (RACK,B)
PK1330432-00 COVER (RACK,L)
PK1330450-00 COVER (2ND BOOM FRP/WHITE)
PK1330454-03 COVER (BUCKET CONTROL/JU.STD)
PK1330455-01 COVER (BUCKET CONTROL,LEBER BOOTS)
PL1250084-02 VALVE,CONTROL
PL5170001-02 CYLINDER ASSY,LEVELING (LOWER)
PL5180004-00 LEVELING ASSY,UPPER
PM5020010-01 MARKING (TOENEC/BOOM 1M:ALIGNMENT MARK)
PM5150013-00 MODIFICATION ASSY
PM5150077-01 MODIFICATION ASSY (BOX,TOOL/L:2-DECK,R:2-DECK)
PM5150098-00 MODIFICATION ASSY (SAFETY ROPE INTERLOCK:JU)
PM5150099-00 MODIFICATION ASSY (BUCKET FRAME)
PM5150100-02 MODIFICATION ASSY (BUCKET ELECTRIC)

AT-146-3 43011100022 UPPER
PB1300480-00 JOINT,ROTARY

50



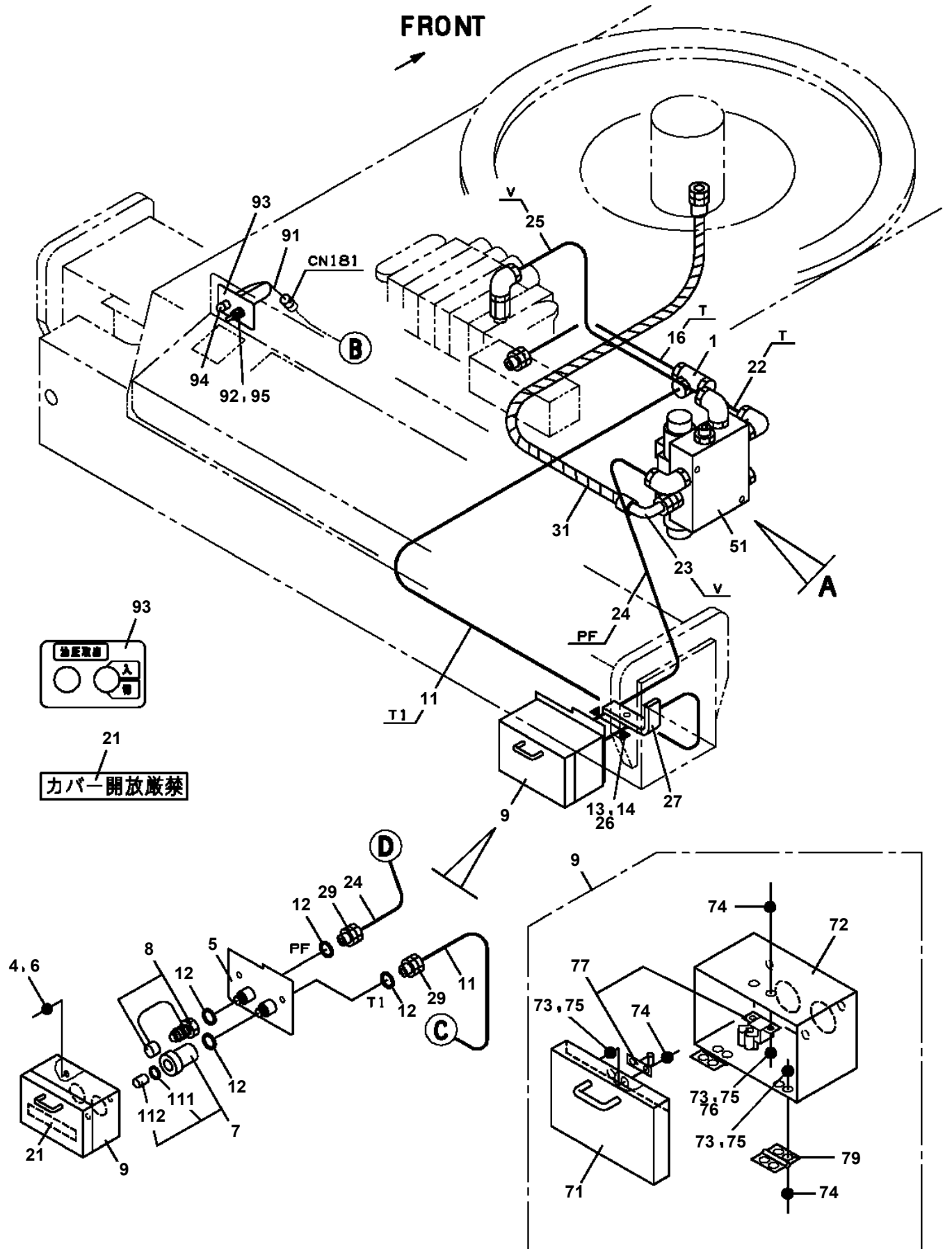
AT-146-3 43011100022 UPPER
PB1320627-01 VALVE, MANUAL CONTROL



展開圖有

ILLUSTRATED BREAKDOWN NO.4, 5, 6, 7, 8, 9, 10

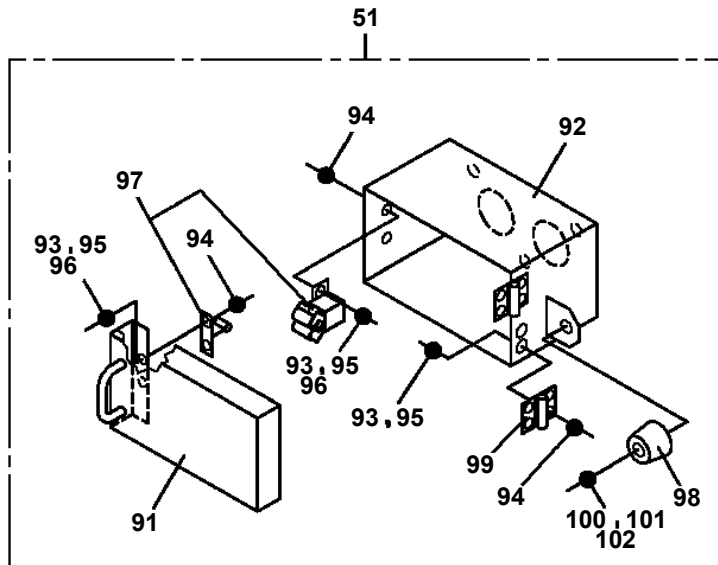
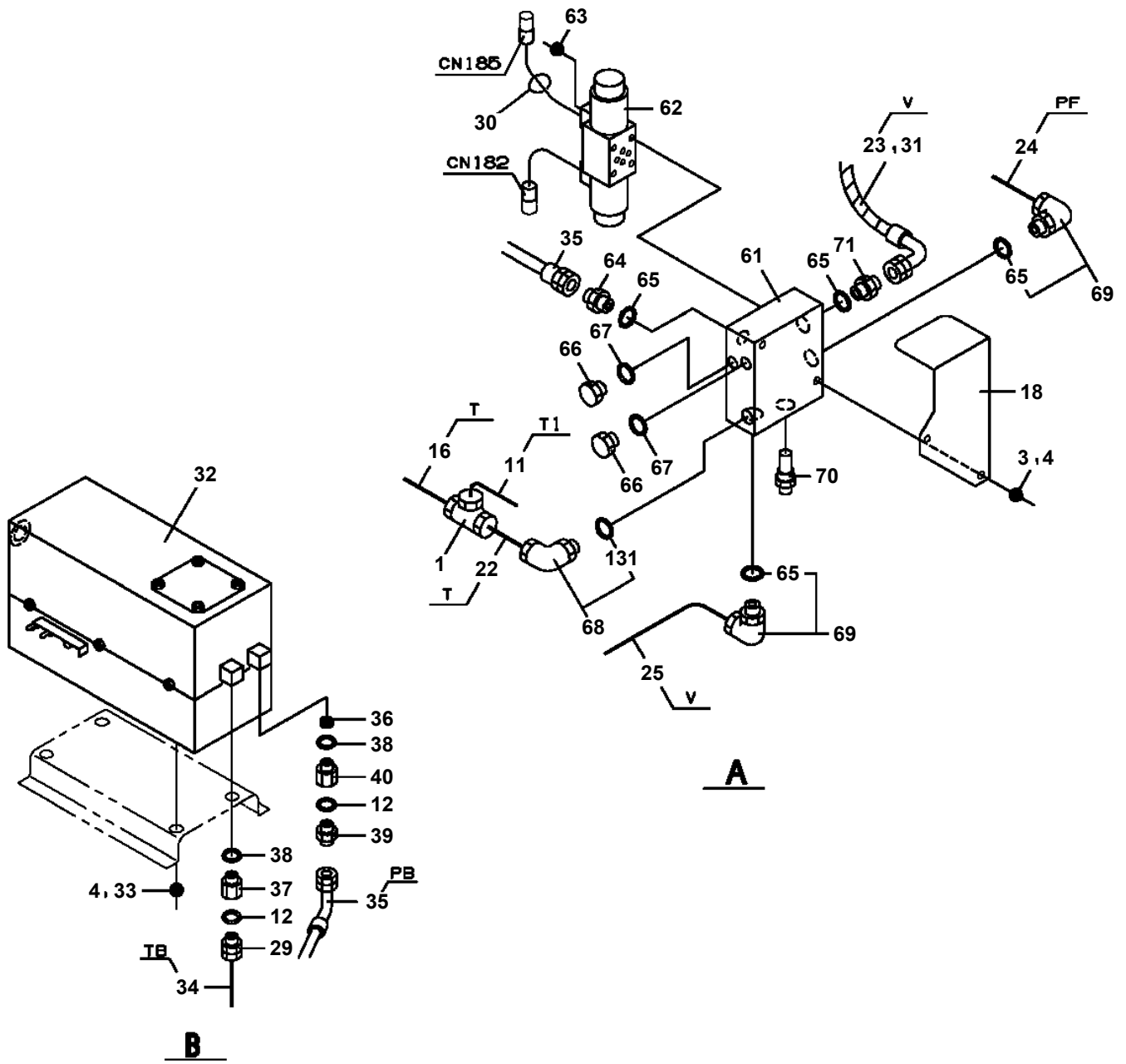
**AT-146-3 43011100022 UPPER
PB1380331-02 POWER SUPPLY**



AT-146-3 4301110022 UPPER

Pos No.	Parts No	Parts Name	Qty	Unit	Technical Data	Serial No (Start)	Serial No (End)	Remarks	Page
1	42421655300	JOINT	1		L,G3/4-G3/4				
2	91002802400	O-RING	2		1B P24				
3	42422305100	JOINT	1						
4	37000926180	JOINT	1		L,G1/2-G1/2				
5	91002801800	O-RING	4		1B P18				
6	36624960000	VALVE ASSY,CHECK	1						
7	42422305200	JOINT	1		S,G1/2-G1/2				
8	80430620800	JOINT	1						
9	42646780120	JOINT	1		L,G1/2-G1/2				
31	91002801800	O-RING	1		1B P18				

**AT-146-3 43011100022 UPPER
PB1910231-04 PIPING**



AT-146-3 4301110022 UPPER

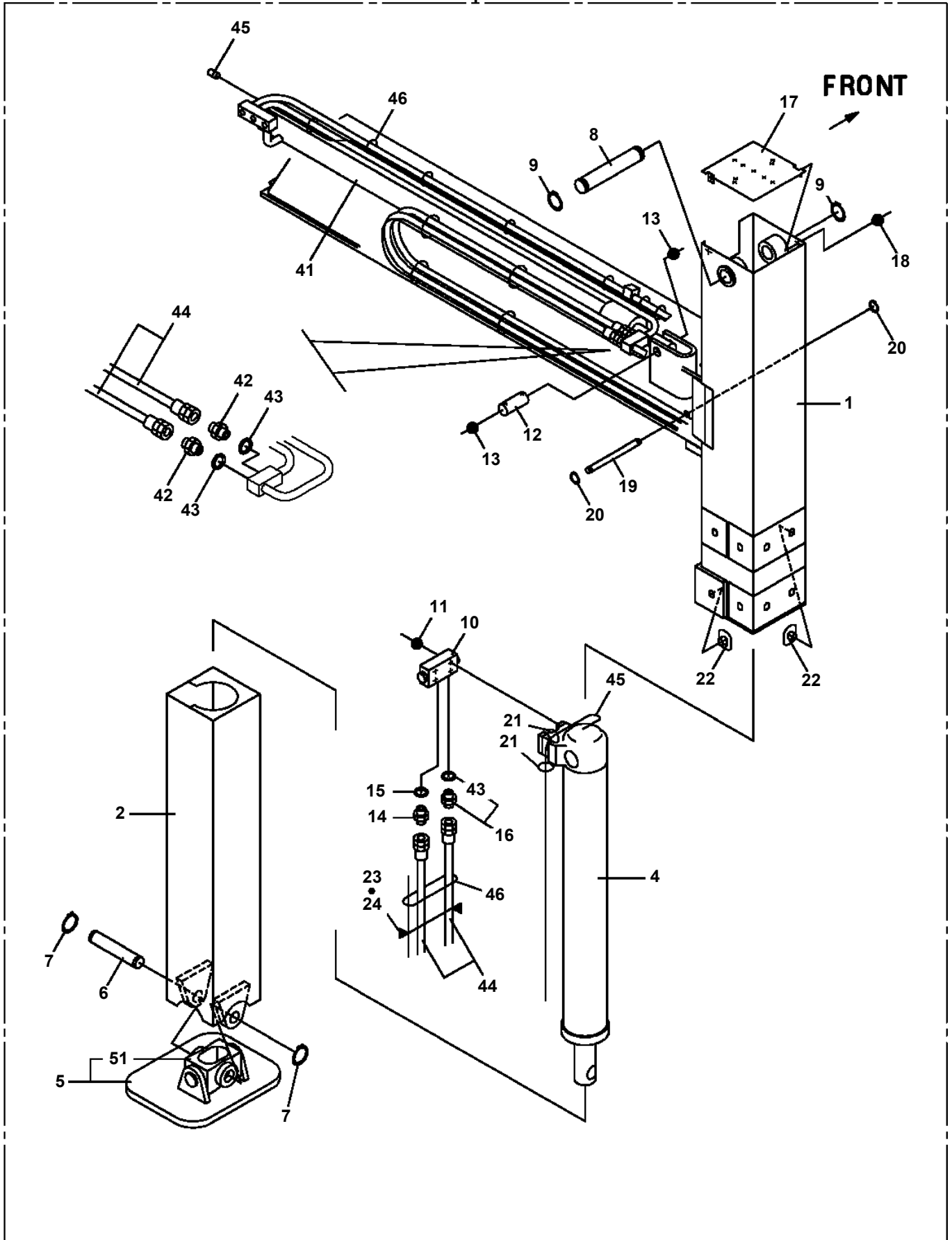
Pos No.	Parts No	Parts Name	Qty	Unit	Technical Data	Serial No (Start)	Serial No (End)	Re
75	37001007240	SHEAVE ASSY	2					
76	80602110400	RING,RITAINING	2		R40			
77	37000176300	PIN	2					
78	80601110400	RING,RITAINING	2		S40			
79	37000176310	PIN	1					
80	37000403580	BEARING,PLAIN (DAIDO METAL)	2					
82	42202700200	SUPPORT	1					
84	90171116050	BOLT	10		M16X50			
85	90309341601	WASHER,CONICAL SPRING	20		16			
86	90171116040	BOLT	10		M16X40			
87	90171112035	BOLT	2		M12X35			
88	90202481200	NUT	4		M12			
89	37002018080	PLATE,SLIDE	2					
90	37002018100	PLATE,SLIDE	4					
91	37000513150	PLATE	N		T=0.5			
92	90201781200	NUT	2		M12			
93	90302041201	WASHER,SPRING	6		12			
94	89631601000	HOSE,VINYL	1		15X20,1M			
95	91810130240	FASTENER	2					
96	90202481600	NUT	4		M16			
97	90174110030	BOLT	2		M10X30			
98	37000573180	PLATE	1					
99	37000144700	PIN	1					
100	90174110020	BOLT	2		M10X20			
101	37000524070	PLATE	1		T=6			
102	37000168250	PIN	1					
103	42201520030	ROLLER	2					
104	42202120100	PLATE	2					
105	90171110018	BOLT	4		M10X18			
106	90303071001	WASHER,PLAIN	4		10			
108	90180212030	BOLT,BUTTON	4		M12X30			
109	90303071201	WASHER,PLAIN	4		12			
110	42202590300	PLATE	2					
111	42202590310	PLATE	2					
112	42202590340	PLATE	N		T=0.8			
113	90180210020	BOLT,BUTTON	8		M10X20			
114	42202700251	SUPPORT	1				229414	
	42203170300	SUPPORT	1			229415		
115	42202590130	PLATE	N		T=0.2			
131	42201700110	ROLLER ASSY	1					
132	37000180121	PIN	1					
133	90238402408	NUT,CASTLE	1		M24			
134	90303072401	WASHER,PLAIN	1		24			
135	80136350045	PIN,SPLIT	1		5X45			
152	80513006012	BEARING,BALL	2					
153	80612110950	RING,RITAINING	2		AR95			
161	37002011650	PLATE,SLIDE	2					
162	42201460370	PLATE	N		T=0.8			
163	80184306020	SCREW,MACHINE	2		M16X20	228252		
164	42202050310	RETAINER	2					
172	80513006206	BEARING,BALL	4					
181	80602110620	RING,RITAINING	2		R62			
191	80801003012	BEARING,PLAIN	2					
192	80601110250	RING,RITAINING	4		S25			
193	42201700120	PLATE	2					
194	37000179820	PIN	2					
195	42201700150	ROLLER ASSY	2					
196	37000312280	SPACER	4					
201	80513006005	BEARING,BALL	8					
211	42202590180	PLATE	2				229414	
212	42202700410	PLATE	2				229414	
221	82455106000	NIPPLE,GREASE	1		A-M6F FE			
231	42203170410	PLATE	10			229415		

AT-146-3 4301110022 UPPER

Pos No.	Parts No	Parts Name	Qty	Unit	Technical Data	Serial No (Start)	Serial No (End)
2	42834447520	WINDOW	1				
3	42835717590	PLATE	6				
4	42838917510	MAT	1				
5	42834447550	CUSHION	1				
6	42834447560	SEAT (RUBBER)	2				
7	42834057550	HANDLE	1				
8	82466115200	CATCH	1				
9	42833867750	HINGE	3				
10	42838917520	GAS SPRING	2				
11	42832907610	BRACKET (FOR GAS SPRING)	4				
12	42834837700	SCREW,MACHINE	2		M4X8		
13	42834917550	SCREW,MACHINE (SEMS)	2		M4X12		
14	42835247520	SCREW,MACHINE (WITH SW,NUT)	2		M4X10		
15	42834917570	SCREW,MACHINE (SEMS)	18		M5X14		
16	42834917580	SCREW,MACHINE (SEMS)	4		M4X16		
17	42835247530	SCREW,MACHINE (WITH SW,NUT)	4		M4X14		
18	42838917530	RUBBER (WITH DOUBLE-STICK TAPE)	2				
100	42838911000	BOX,TOOL	1				

AT-146-3 43011100022 UPPER
PC1011455-00 OUTRIGGER (FRONT,RIGHT/INNER CASE)

100



AT-146-3 4301110022 UPPER

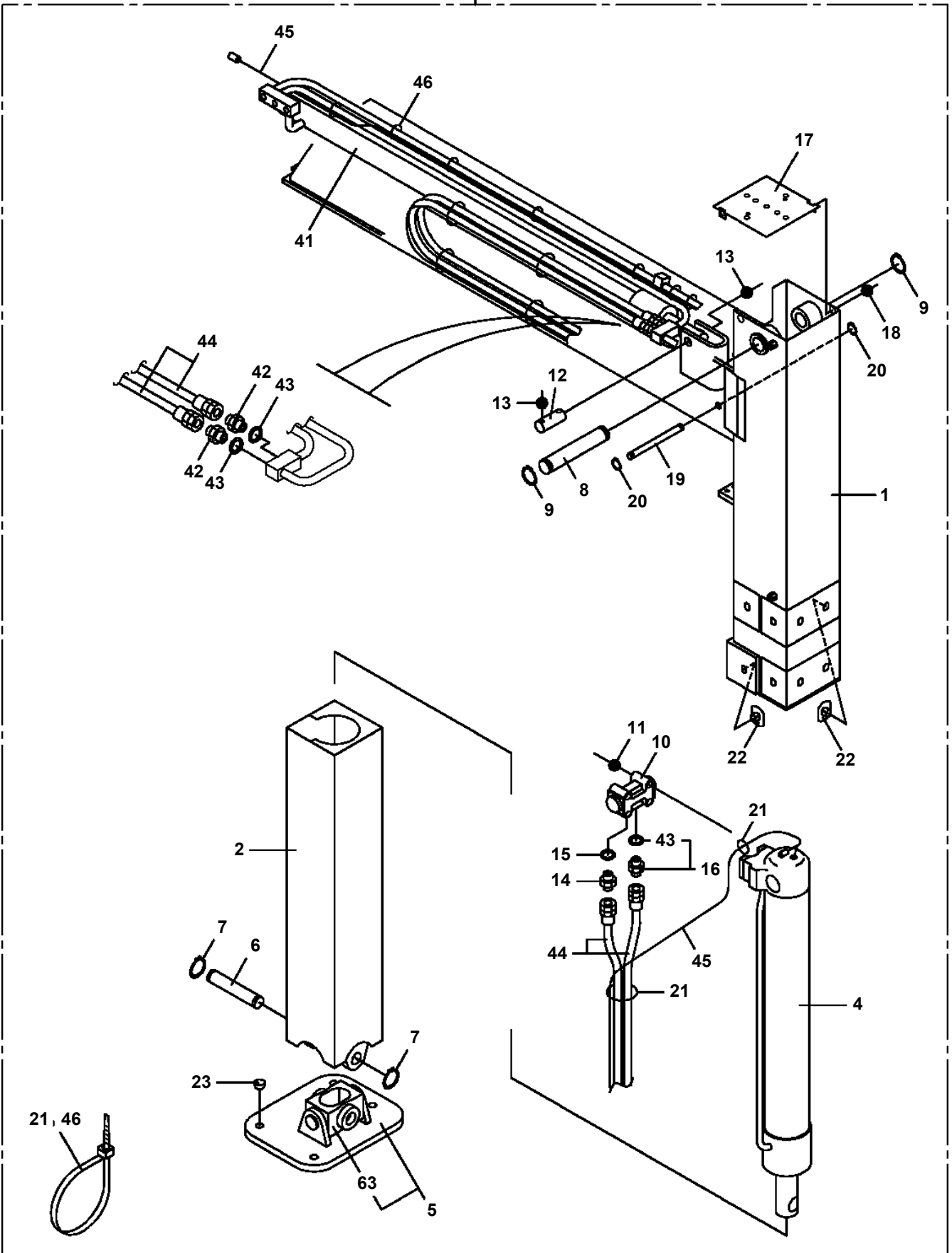
Pos No.	Parts No	Parts Name	Qty	Unit	Technical Data	Serial No (Start)	Serial No (End)	Remarks	Pages
1	42475580100	PLATE	4						
2	90101212035	BOLT	16		M12X35				
3	90302041201	WASHER,SPRING	16		12				
4	42502970100	FLOAT ASSY	3						
5	42502970200	FLOAT ASSY	1						
6	90101208045	BOLT	4		M8X45	228104			
7	90302040801	WASHER,SPRING	4		8	228104			
8	90303070801	WASHER,PLAIN	4		8	228104			
9	90303071201	WASHER,PLAIN	4		12	228104	228274		
	90303071201	WASHER,PLAIN	8		12	228275			
10	90201201200	NUT	8		M12	228104			
33	42612851420	TRUNNION	4						

AT-146-3 43011100022 UPPER

Pos No.	Parts No	Parts Name	Qty	Unit	Technical Data	Serial No (Start)	Serial No (End)	R
92	80302090151	FITTING	1		KCO12-040N			
94	80400160127	JOINT	3					
96	80430620400	JOINT	1					
101	80303130241	FITTING,ELBOW	1		KLO18-040E			
102	80491304040	JOINT (WITH O-RING)	1					
106	80303130171	FITTING,ELBOW	1		KLO12-040E			
107	37000908730	JOINT (WITH O-RING)	4		L,G3/8-G1/4			
108	80491303020	JOINT (WITH O-RING)	4		L,G3/8-G1/4			
110	37000927930	JOINT	1					
111	80430620800	JOINT	1					
121	91002801400	O-RING	8		1B P14			

AT-146-3 43011100022 UPPER
PC5150054-00 CASE ASSY,INNER (FRONT,LEFT)

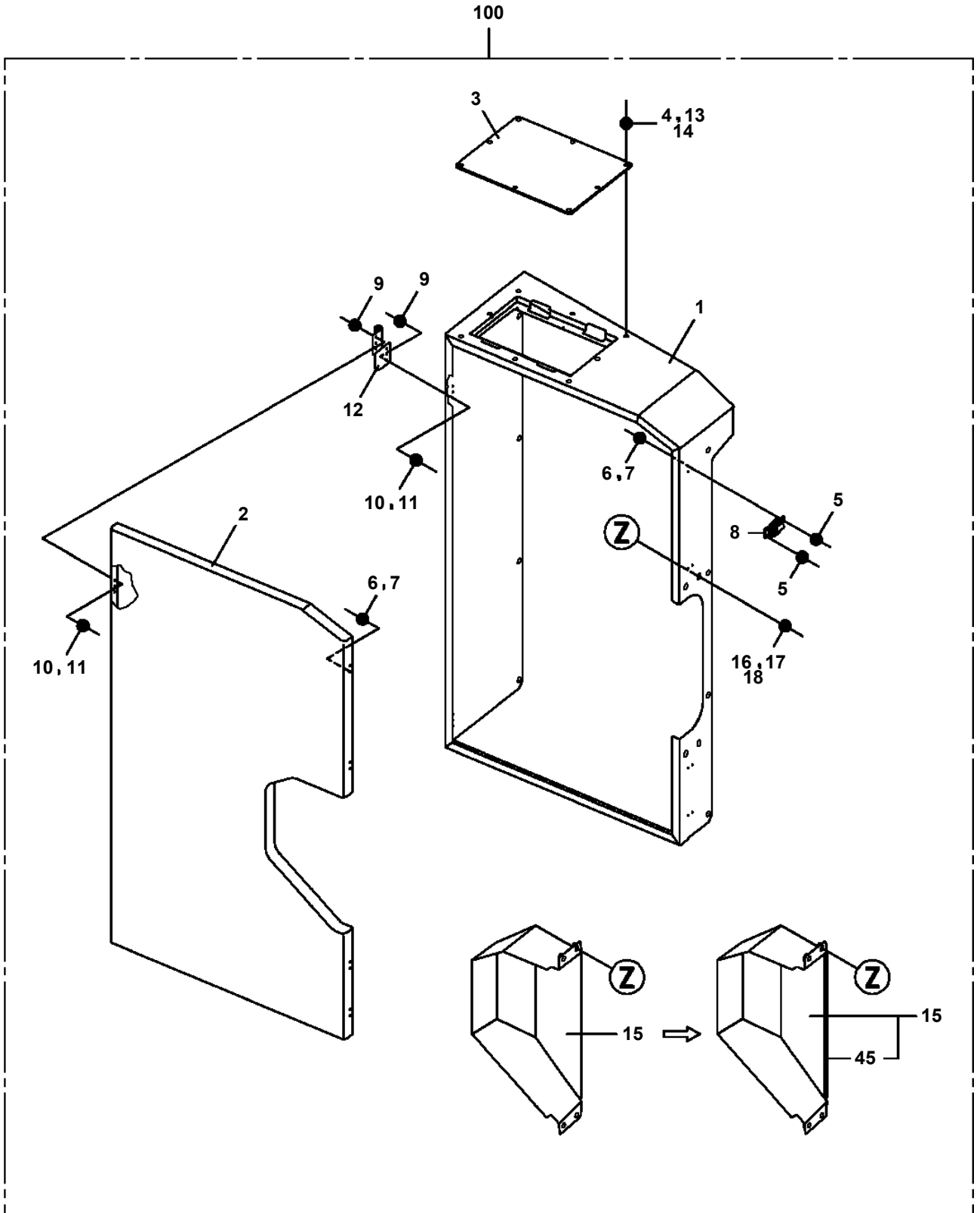
100



AT-146-3 4301110022 UPPER

Pos No.	Parts No	Parts Name	Qty	Unit	Technical Data	Serial No (Start)	Serial No (End)	Remarks
1	42272361102	COVER	1					
2	42272361201	COVER	1					
3	42272361300	COVER	1					
4	90101206016	BOLT	6		M6X16			
5	80172803008	SCREW,MACHINE	8		M3X8			
6	90201500300	NUT	8		M3			
7	90302510301	WASHER,SPRING (SUS 3)	8					
8	82466100702	CATCH	2					
9	80172804012	SCREW,MACHINE	12		M4X12			
10	90201500400	NUT	12		M4			
11	90302510401	WASHER,SPRING	12		4			
12	82464110305	HINGE	2					
13	90302040601	WASHER,SPRING	6		6			
14	90303070601	WASHER,PLAIN	6		6			
100	42272361003	COVER ASSY	1					

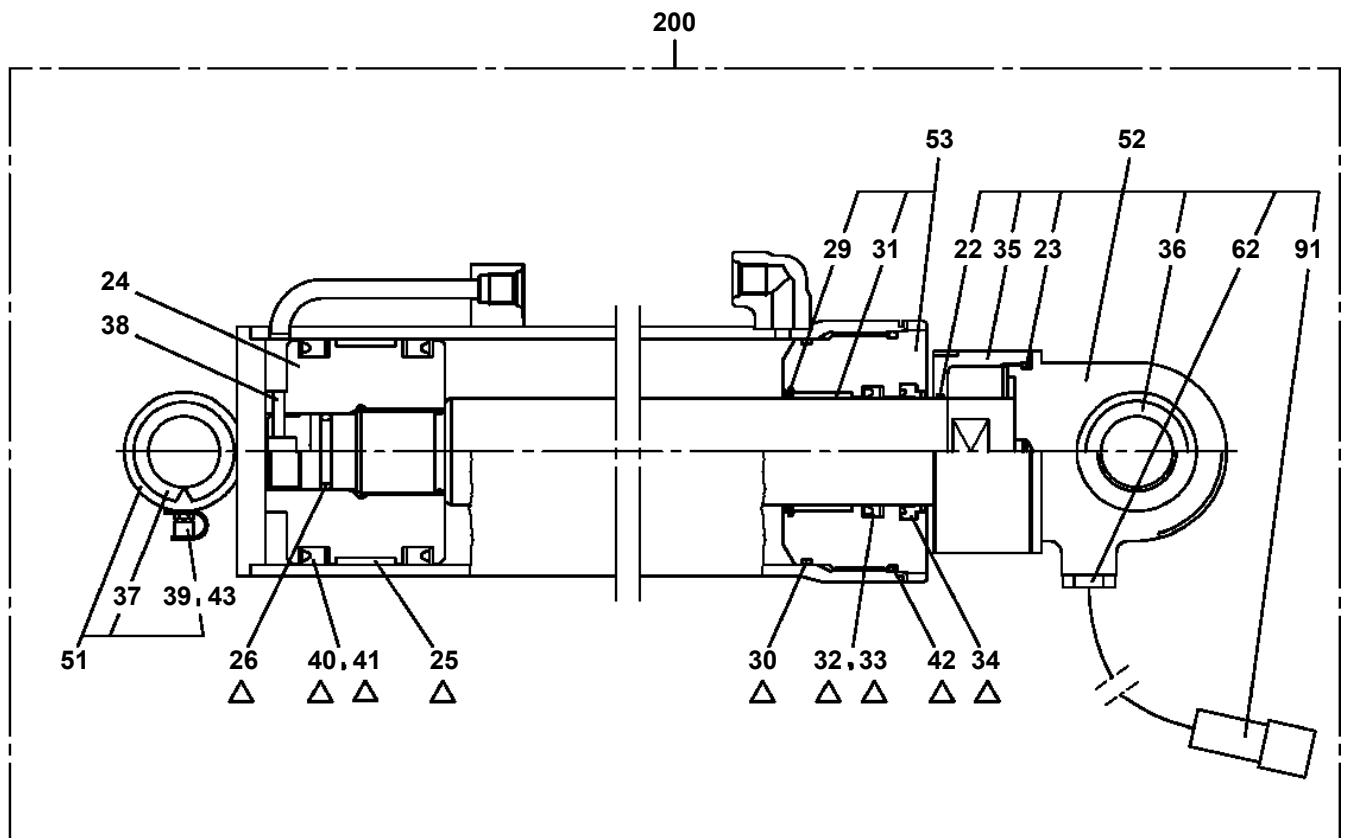
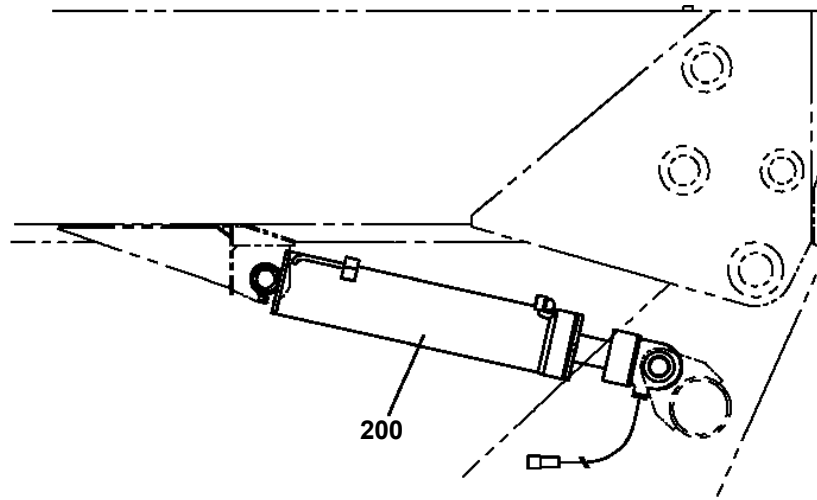
AT-146-3 43011100022 UPPER
PC5570168-01 COVER ASSY



AT-146-3 4301110022 UPPER

Pos No.	Parts No	Parts Name	Qty	Unit	Technical Data	Serial No (Start)	Serial No (End)
1	36028239511	CYLINDER ASSY	1				
2	90302042401	WASHER,SPRING	1		24		
3	90209402400	NUT	1		M24		
4	36028490100	PISTON	1				
5	91332207500	BEARING,PLAIN	1				
6	91002802000	O-RING	1		1B P20		
7	36025139550	ROD ASSY	1				
8	36026159530	COVER,ROD	1				
9	80612110400	RING,RITAINING	1		AR40		
10	91002907000	O-RING	1		1B G70		
11	80801003525	BEARING,PLAIN	1				
12	91694003500	PACKING	1				
13	91410203501	RING,BACKUP	1				
14	91660003501	SEAL,DUST	1				
15	82455106000	NIPPLE,GREASE	1		A-M6F FE		
16	80541700030	BEARING,SPHERICAL (NTN)	1		SA4-30B		
17	80820003030	BEARING,PLAIN	2				
18	91002907500	O-RING	1		1B G75		
19	91350307500	PACKING ASSY (PACKING X2+BACKUP RING X2)	1				
20	90303072401	WASHER,PLAIN	1		24		
30	36028499900	PACKING SET	1		35X75		
100	36028620000	CYLINDER ASSY,LEVELING (UPPER)	1				

AT-146-3 43011100022 UPPER
 PE1050112-01 CYLINDER,LEVELING (LOWER)



△:PACKING SET KEY NO.54 (KEY NO.25,26,30,32,33,34,40,41,42)

AT-146-3 43011100022 UPPER

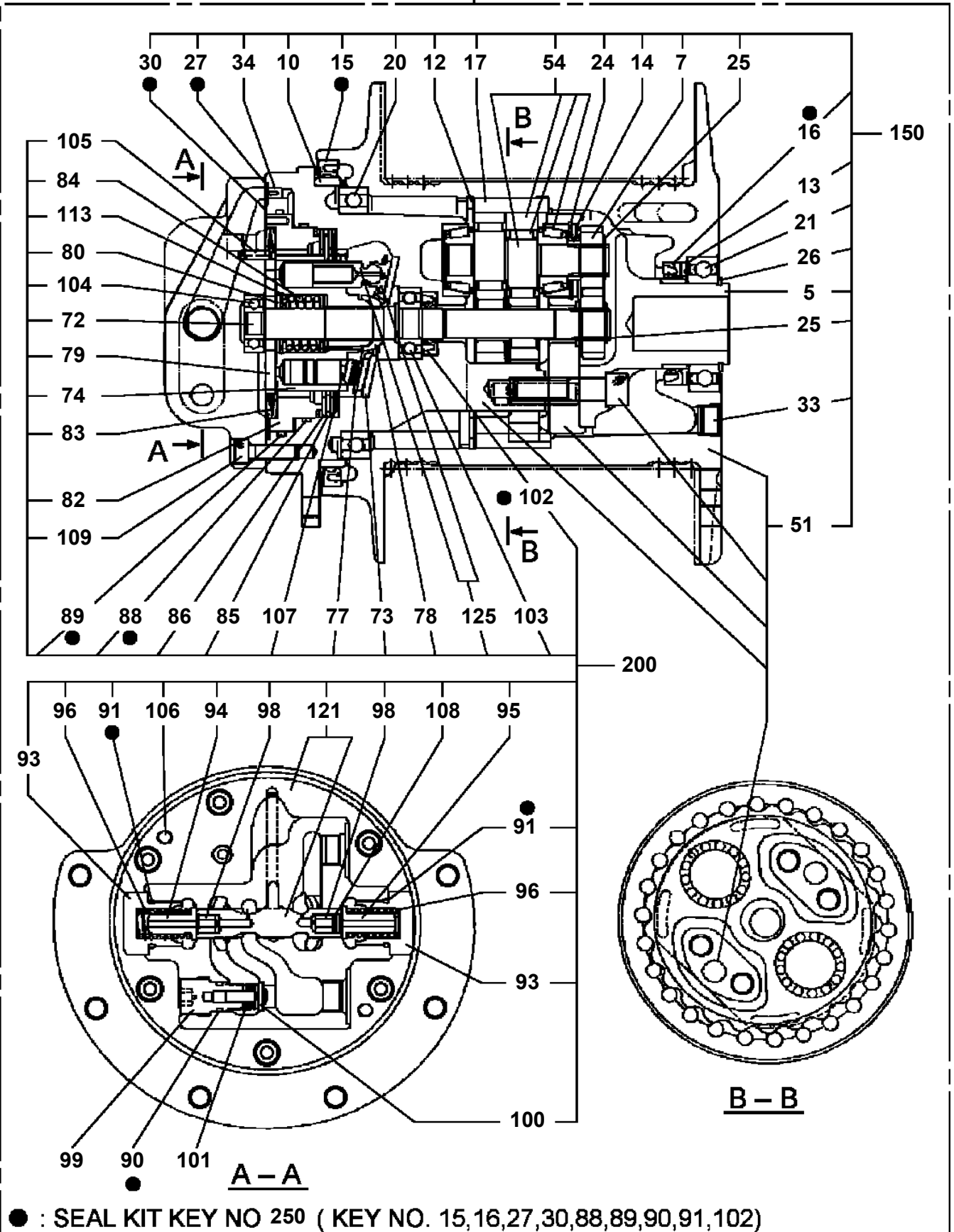
Pos No.	Parts No	Parts Name	Qty	Unit	Technical Data	Serial No (Start)	Serial No (End)	Re
1	42736070100	SWITCH ASSY (WITH HARNESS)	1					
2	42901310100	HARNESS	1					
3	82199514013	CAP	1					
4	82199504017	NUT	1		AT-401N			
5	91810130240	FASTENER	4					

AT-146-3 43011100022 UPPER

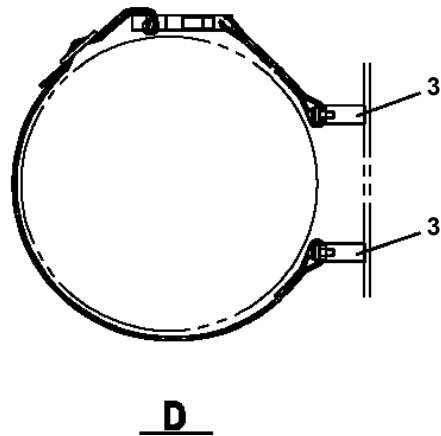
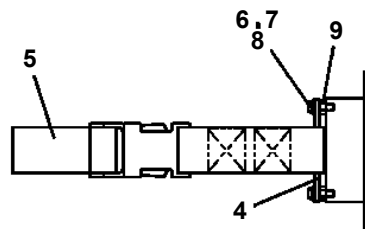
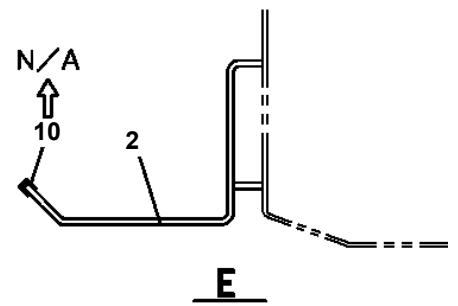
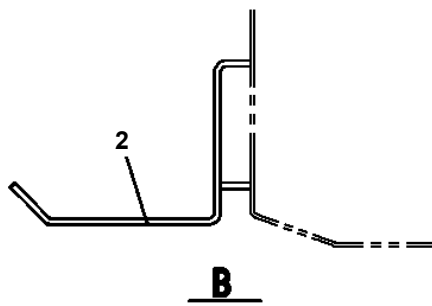
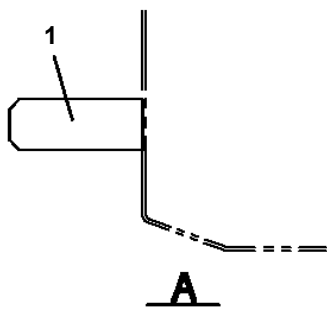
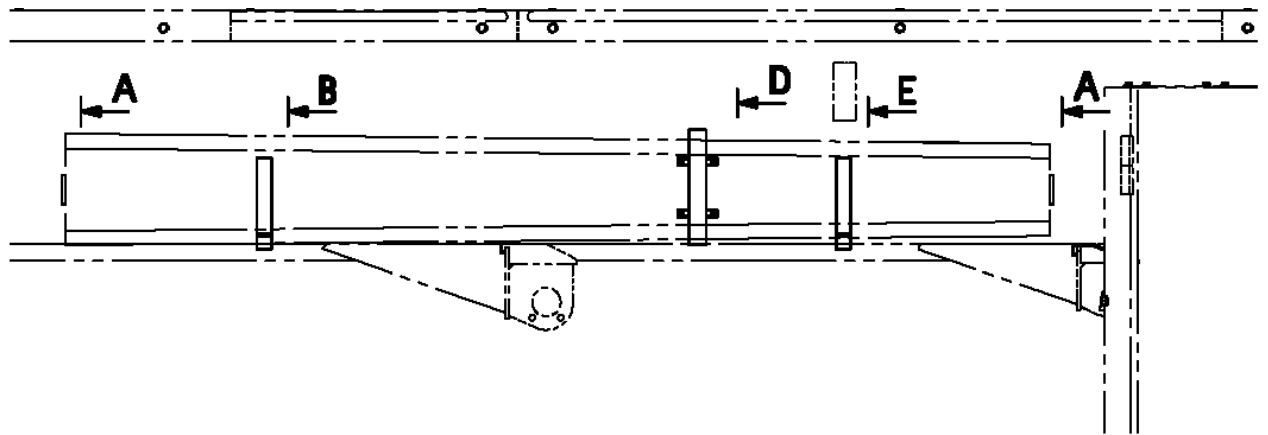
Pos No.	Parts No	Parts Name	Qty	Unit	Technical Data	Serial No (Start)	Serial No (End)	Remarks	P
1	42356750200	CABLE	1		L=10000				
2	42420922100	PLATE,NAME (AC200V)	1						
3	91810132530	FASTENER	5						

AT-146-3 43011100022 UPPER
 PF1010168-01 WINCH

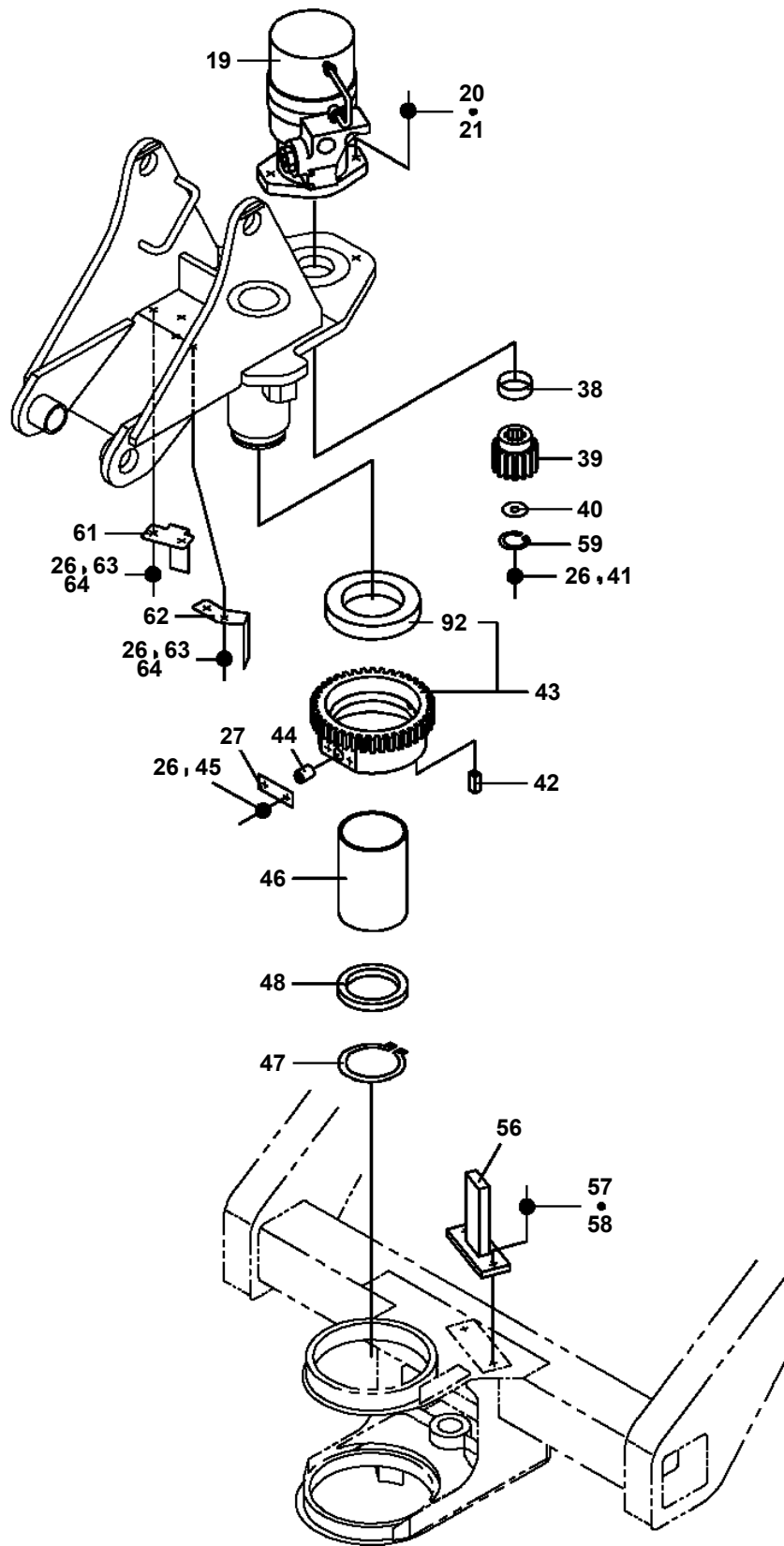
300



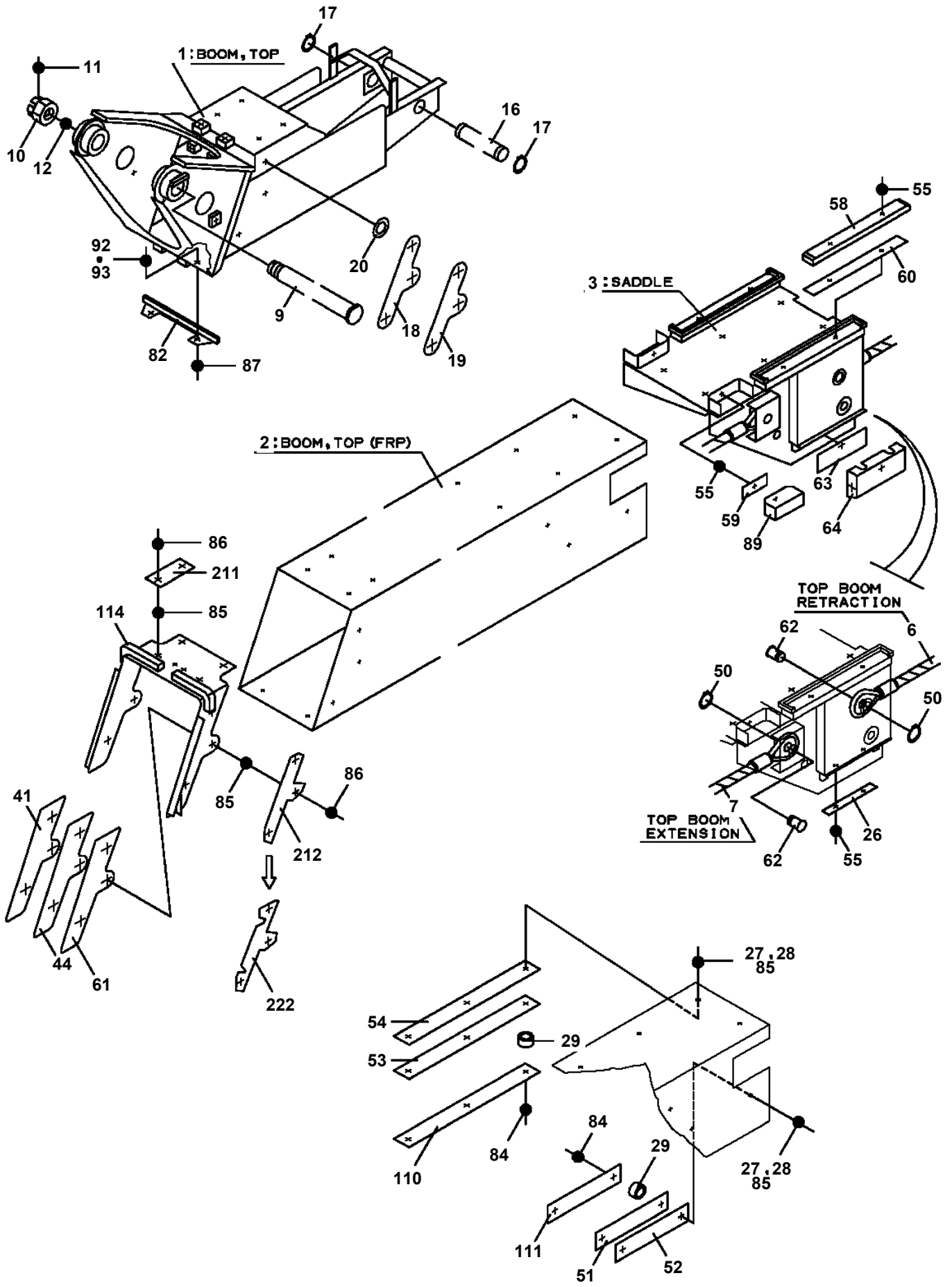
AT-146-3 43011100022 UPPER
PF1080210-01 SUPPORT



**AT-146-3 43011100022 UPPER
PF1350170-01 WINCH, JIB (SUPPORT, JUK)**



**AT-146-3 43011100022 UPPER
PG1010978-03 BOOM**



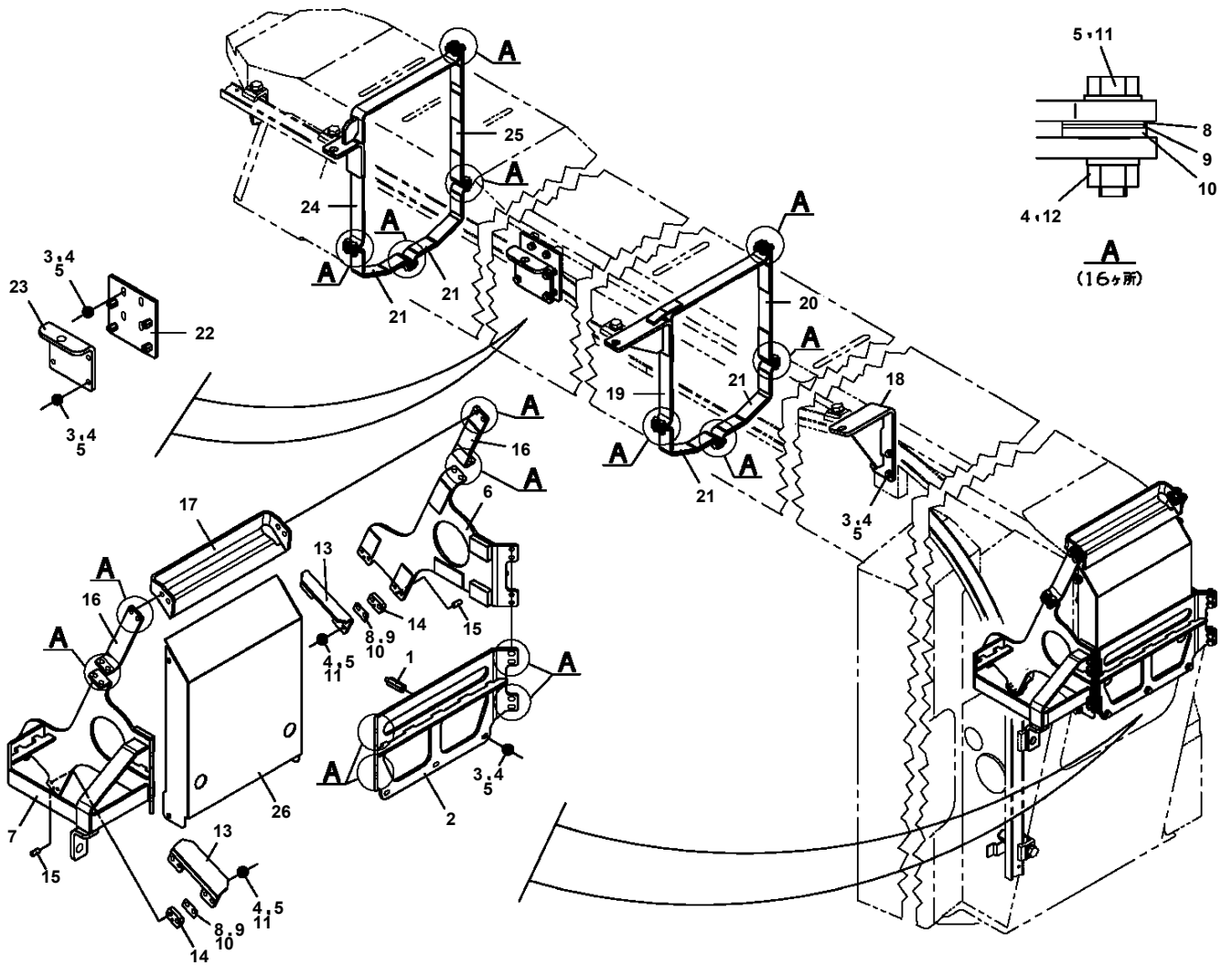
AT-146-3 4301110022 UPPER

Pos No.	Parts No	Parts Name	Qty	Unit	Technical Data	Serial No (Start)	Serial No (End)	Remark
1	36132015010	PLATE (BASE)	1					
2	36132425010	CASE	1					
3	36132015020	DRUM ASSY	1					
4	36132015030	COVER	1					
5	31370105030	PACKING	1					
6	31370005030	PACKING	1					
7	36132095060	SEAL	1					
8	36131825030	BRACKET	1					
9	36131825040	CABLE ASSY	1					
10	36132015040	POTENTIOMETER	1					
11	36130045090	CLIP (NYLON)	1					
12	32360005150	CLIP (NYLON)	1					
13	36132015050	GEAR (A)	1					
14	36132015060	GEAR (B)	1					
17	36160435100	COLLAR	1					
18	31370005080	GUIDE (CORD)	1					
19	36132425020	WIRE ASSY	1					
100	36132420000	DETECTOR,BOOM LENGTH	1					

AT-146-3 43011100022 UPPER

Pos No.	Parts No	Parts Name	Qty	Unit	Technical Data	Serial No (Start)	Serial No (End)	Remarks	Pages
1	42267243101	COVER	1						
2	42267243201	COVER	1						
3	90183108015	BOLT	6		M8X15				

AT-146-3 43011100022 UPPER
PG5240010-01 GUIDE ASSY

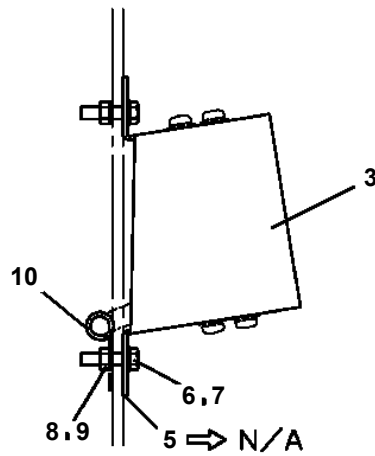
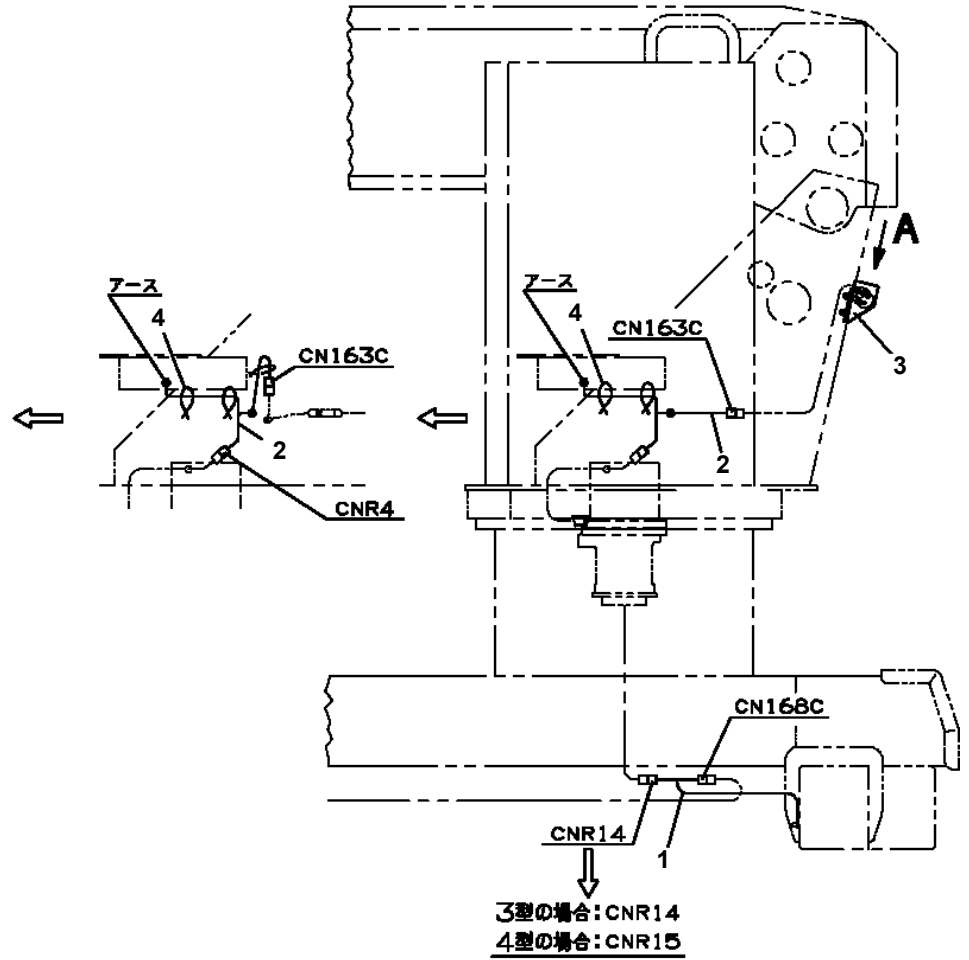
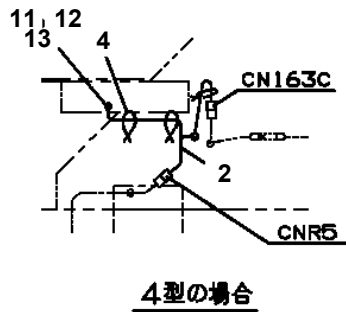
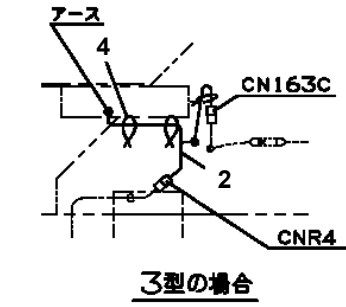


AT-146-3 43011100022 UPPER

Pos No.	Parts No	Parts Name	Qty	Unit	Technical Data	Serial No (Start)	Serial No (End)	Remarks	Pages
1	42739941100	VIEW SYSTEM	1						000147
2	91810130240	FASTENER	10						

AT-146-3 43011100022 UPPER
PH1700374-02 VIEW SYSTEM (CAMERA)

FRONT ←

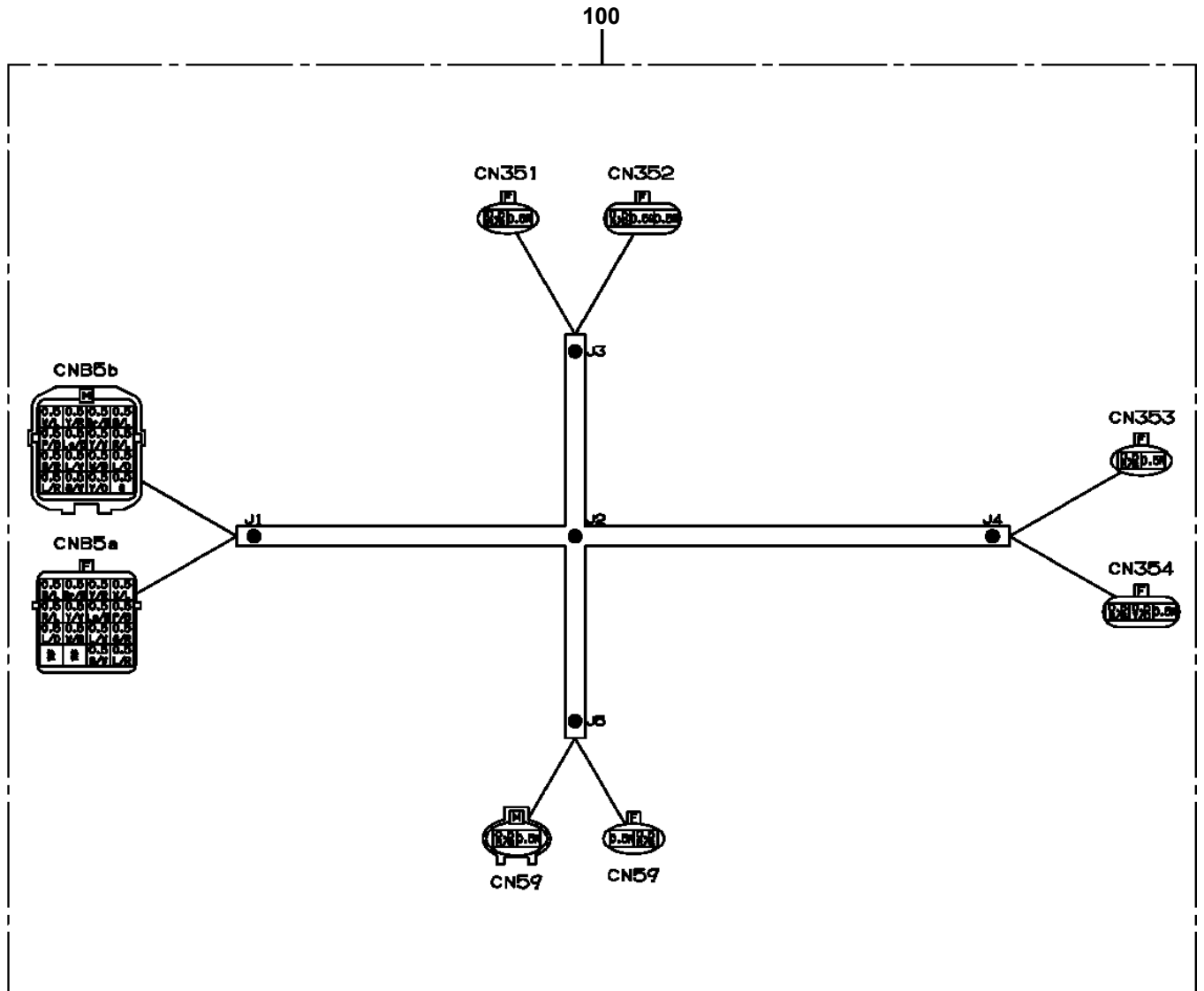


A

AT-146-3 43011100022 UPPER

Pos No.	Parts No	Parts Name	Qty	Unit	Technical Data	Serial No (Start)	Serial No (End)	Remarks	Pages
12	82100002894	HOLDER,FUSE	1						
13	82100001841	FUSE	1		20A,YELLOW				
50	42936050200	HARNESS	1						

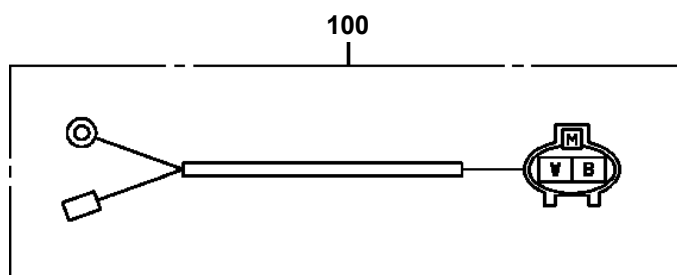
AT-146-3 43011100022 UPPER
PH5030952-00 HARNESS



AT-146-3 43011100022 UPPER

Pos No.	Parts No	Parts Name	Qty	Unit	Technical Data	Serial No (Start)	Serial No (End)	Remarks	Pages
100	42350200310	HARNESS	1						
	42350200310	HARNESS	1						

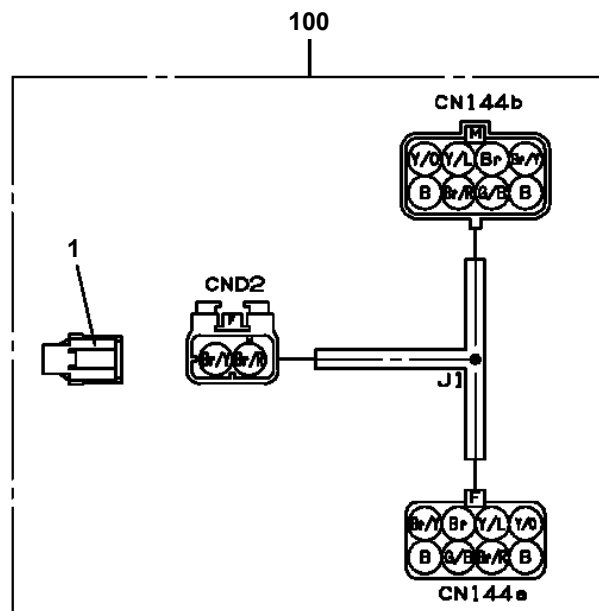
**AT-146-3 43011100022 UPPER
PH5031073-00 HARNESS**



AT-146-3 43011100022 UPPER

Pos No.	Parts No	Parts Name	Qty	Unit	Technical Data	Serial No (Start)	Serial No (End)	Remarks	Pages
100	42502950100	HARNESS	1						

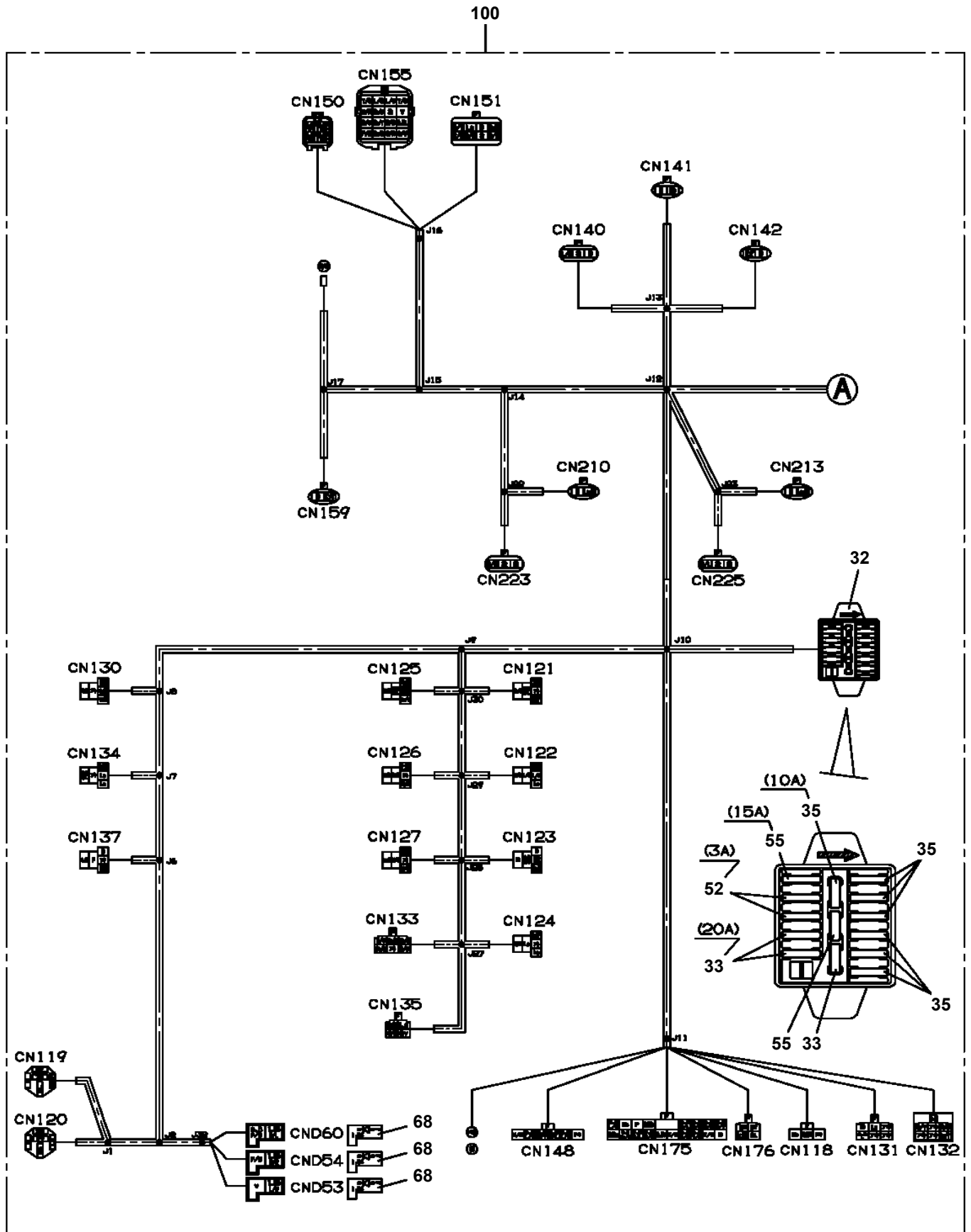
AT-146-3 43011100022 UPPER
PH5031663-00 HARNESS



AT-146-3 43011100022 UPPER

Pos No.	Parts No	Parts Name	Qty	Unit	Technical Data	Serial No (Start)	Serial No (End)	Remarks	Pages
16	82100001839	FUSE	1		10A.RED				
100	42356800202	HARNESS	1						

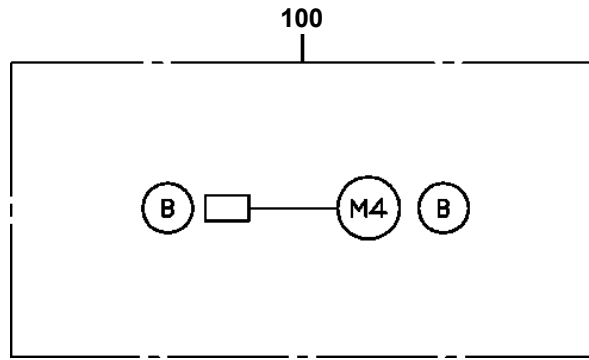
AT-146-3 43011100022 UPPER
PH5032428-00 HARNESS (MAIN)



AT-146-3 43011100022 UPPER

Pos No.	Parts No	Parts Name	Qty	Unit	Technical Data	Serial No (Start)	Serial No (End)	Remarks	Pages
32	34351562510	BOX,FUSE	1						
33	82100001841	FUSE	3		20A,YELLOW				
35	82100001839	FUSE	7		10A.RED				
52	82100001836	FUSE	2		3A				
55	82100001840	FUSE	2		15A,BLUE				
68	82182819823	DIODE	4		1.5A				
100	42653720104	HARNESS (MAIN)	1						

**AT-146-3 43011100022 UPPER
PH5034445-00 HARNESS**

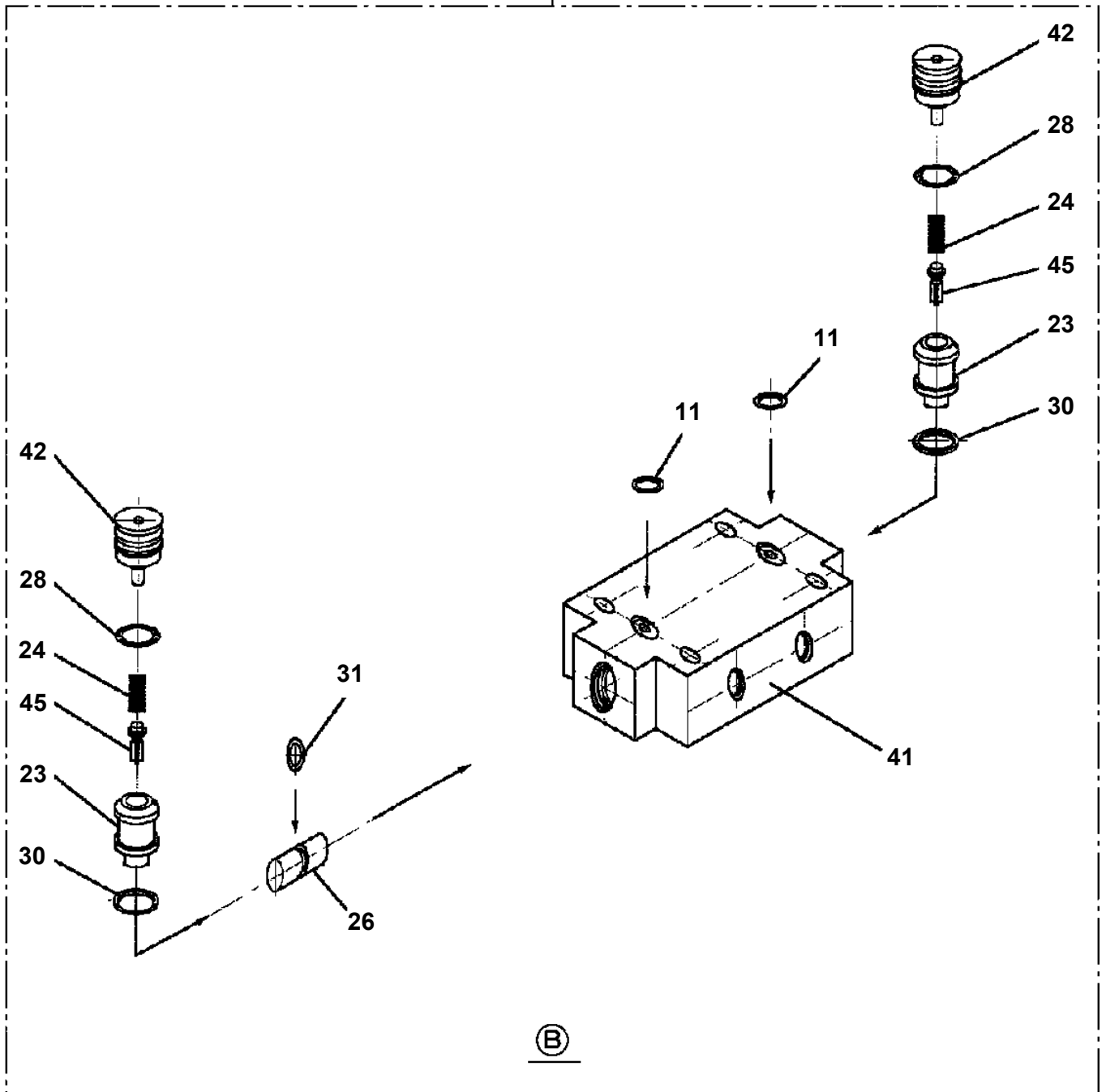


AT-146-3 43011100022 UPPER

Pos No.	Parts No	Parts Name	Qty	Unit	Technical Data	Serial No (Start)	Serial No (End)	Remarks	Page
1	42310427510	SEAL KIT	1						
2	36081605110	SEAL KIT	1						
100	36663960000	MOTOR,HYDRAULIC	1						

AT-146-3 43011100022 UPPER
PI1140133-01 VALVE,CHECK

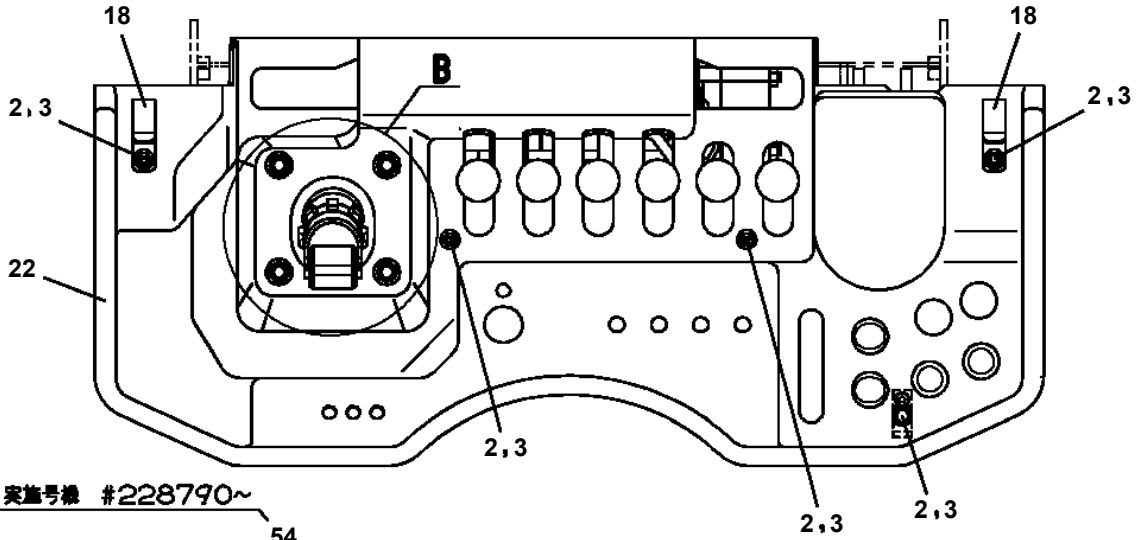
100



AT-146-3 43011100022 UPPER

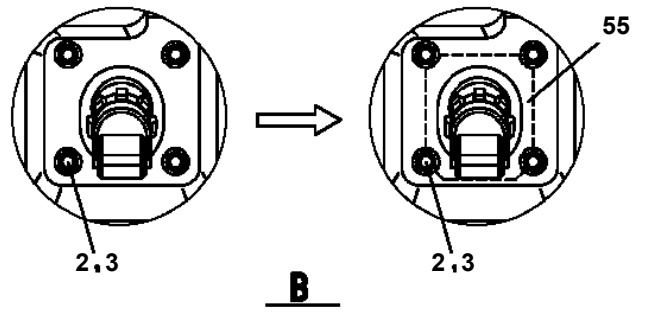
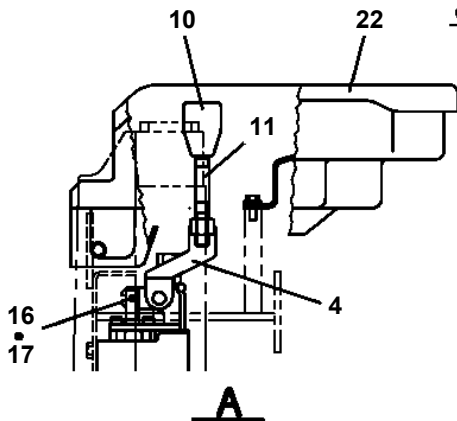
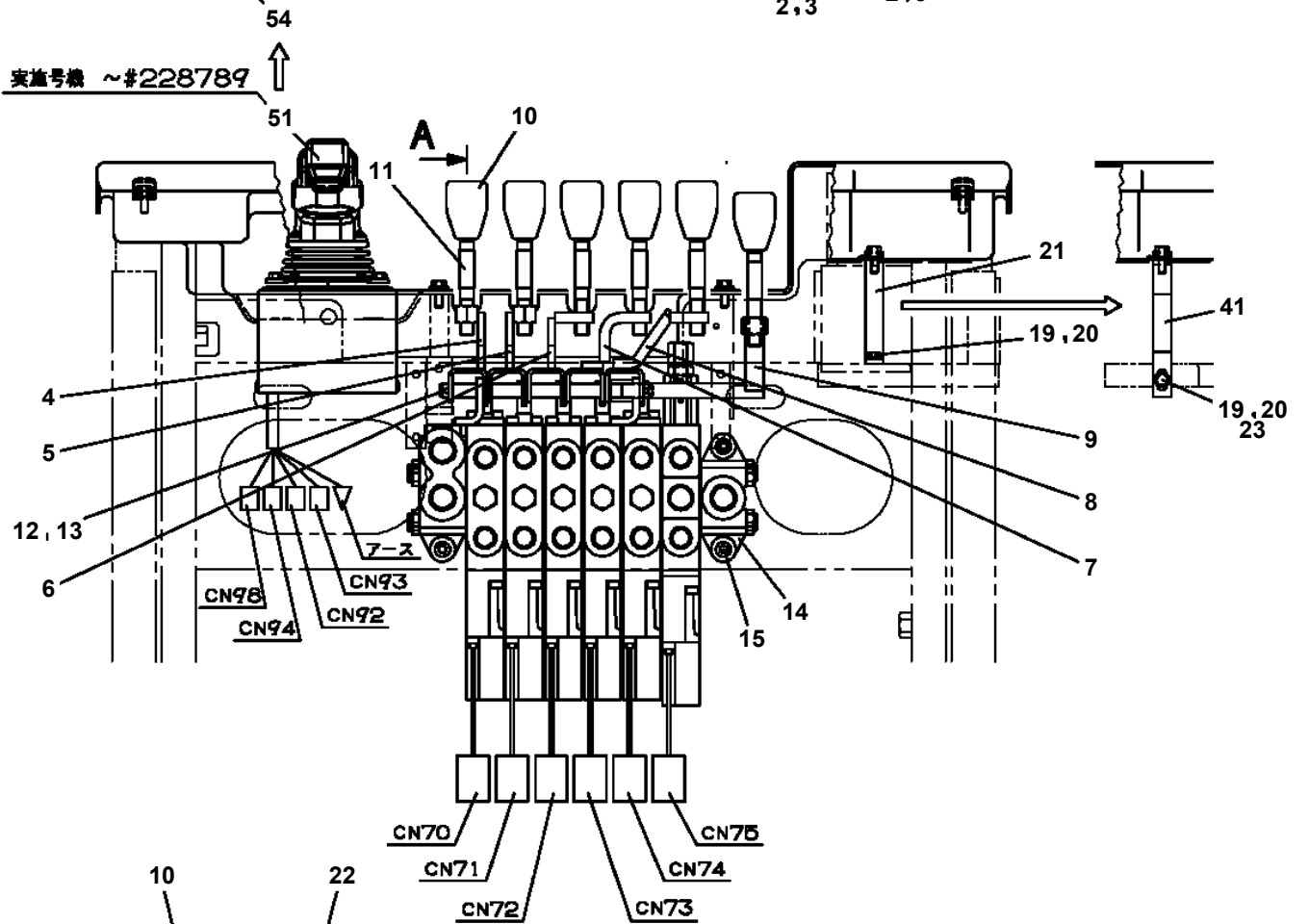
Pos No.	Parts No	Parts Name	Qty	Unit	Technical Data	Serial No (Start)	Serial No (End)	Remarks	Page
1	36672815040	HEAD ASSY	1						
3	36672815030	FILTER,CARTRIDGE	1				229521		
	36672810030	FILTER,CARTRIDGE	1			229522			
10	36672810001	FILTER,OIL	1						

**AT-146-3 43011100022 UPPER
PJ3040048-04 OPE.ASSY**

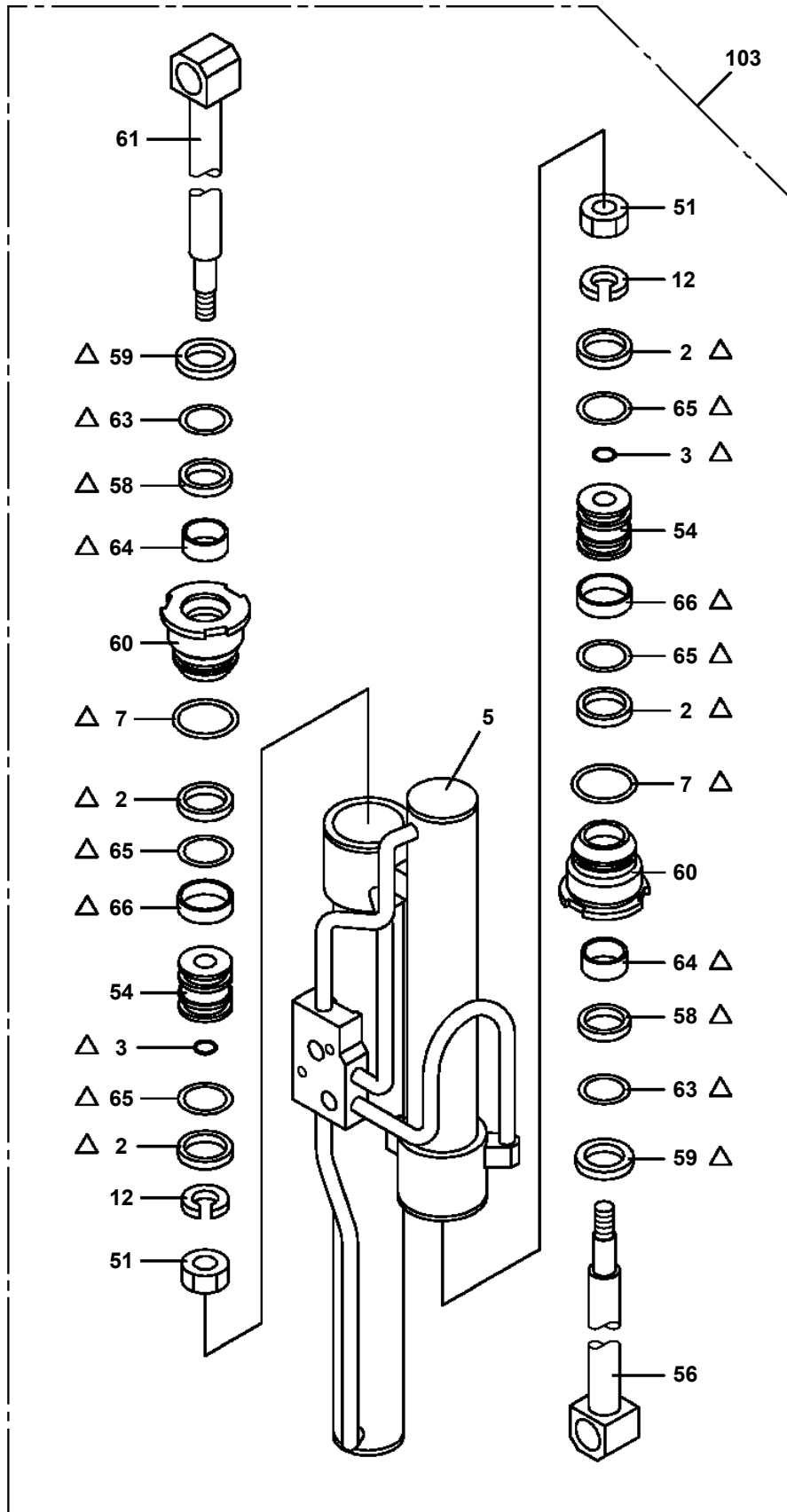


実施号繰 #228790~

実施号繰 ~#228789

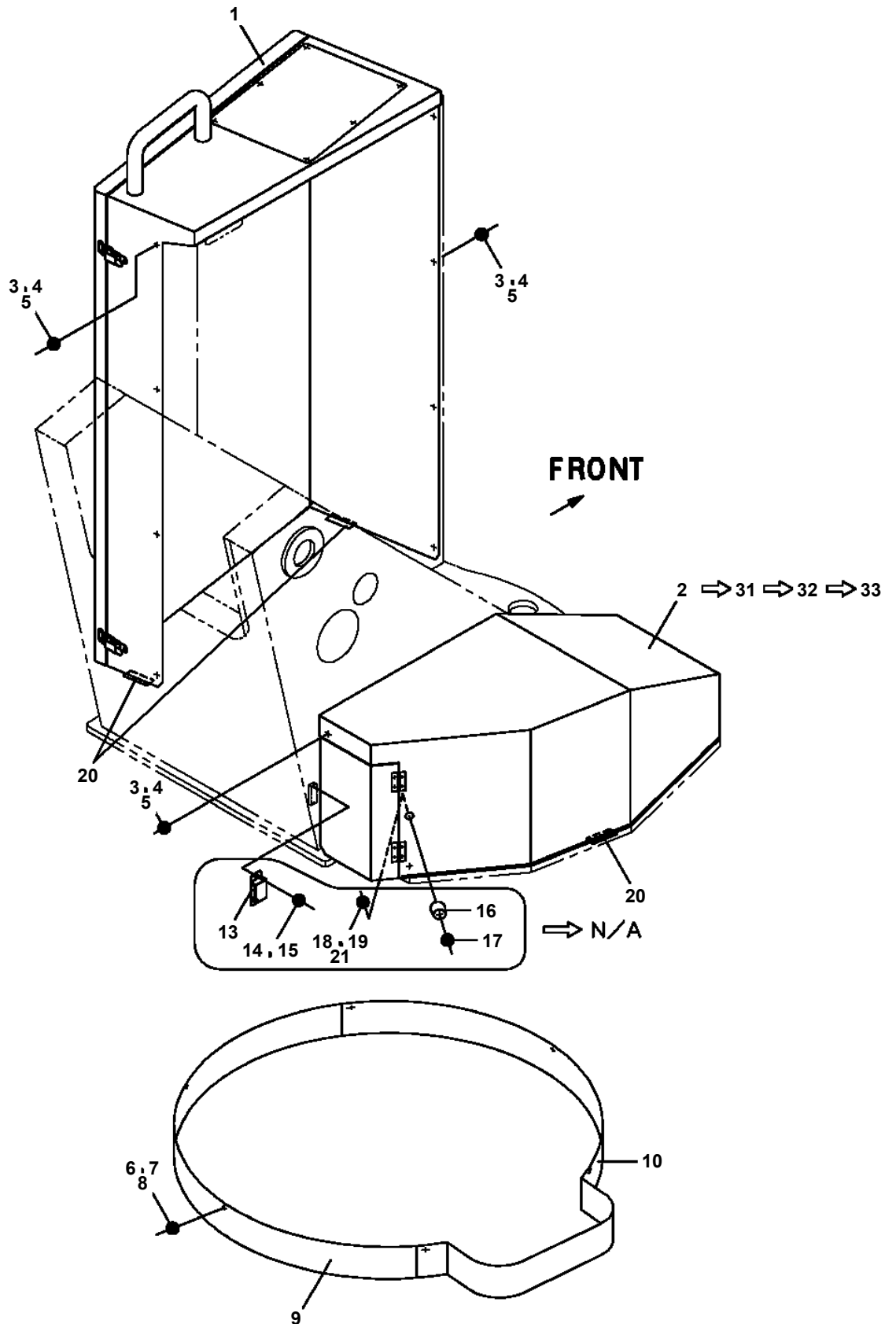


**AT-146-3 43011100022 UPPER
PJ3340015-01 CYLINDER,LIFT (BUCKET)**



△:PACKING SET KEY NO.91 (KEY NO.2,3,7,58,59,63,64,65,66)

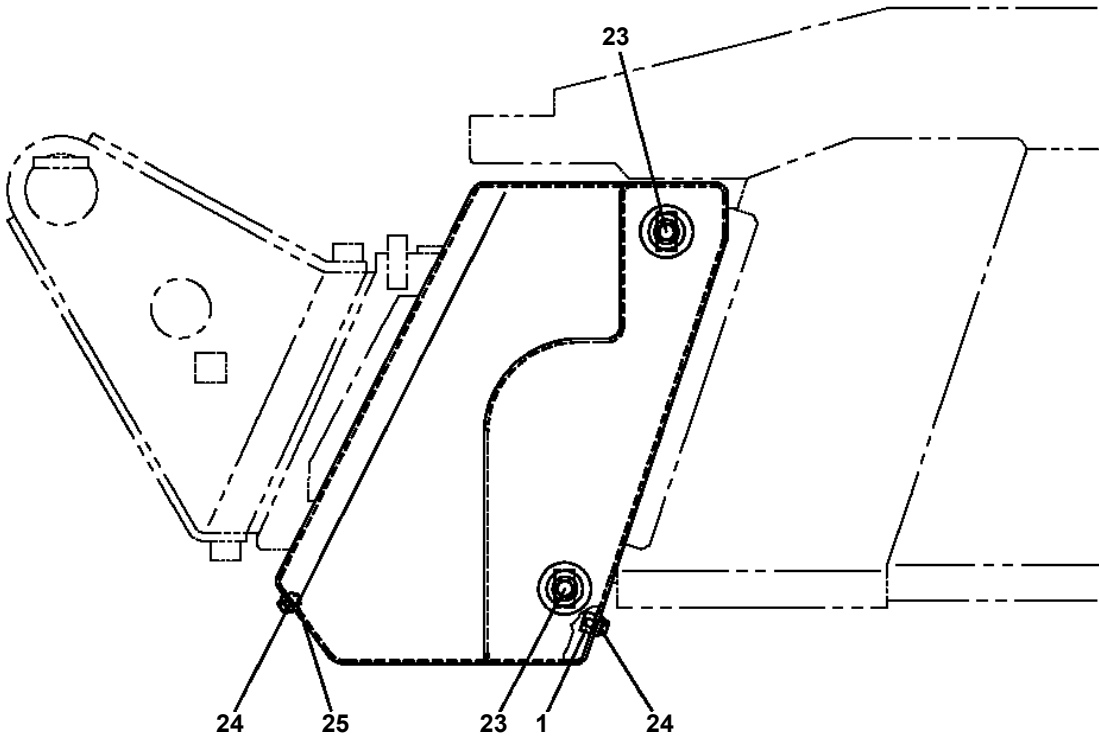
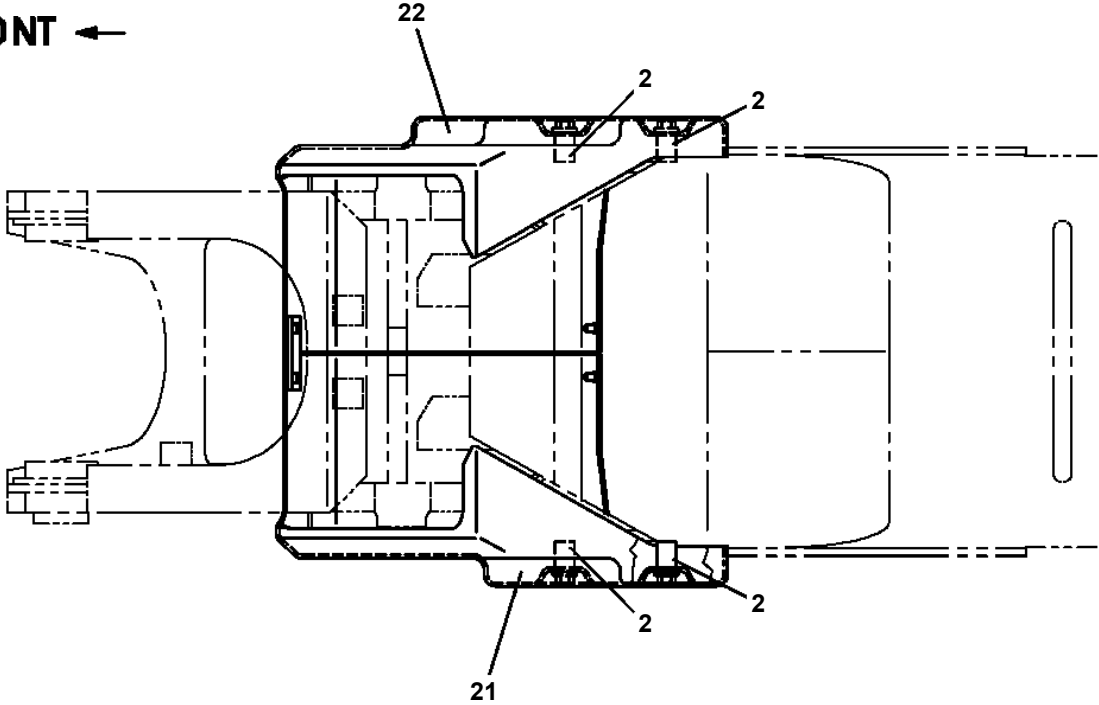
**AT-146-3 43011100022 UPPER
PK1200454-03 COVER, SWING FRAME**



展開圖有
ILLUSTRATED BREAKDOWN NO. 2, 31, 32, 33

**AT-146-3 43011100022 UPPER
PK1330450-00 COVER (2ND BOOM FRP/WHITE)**

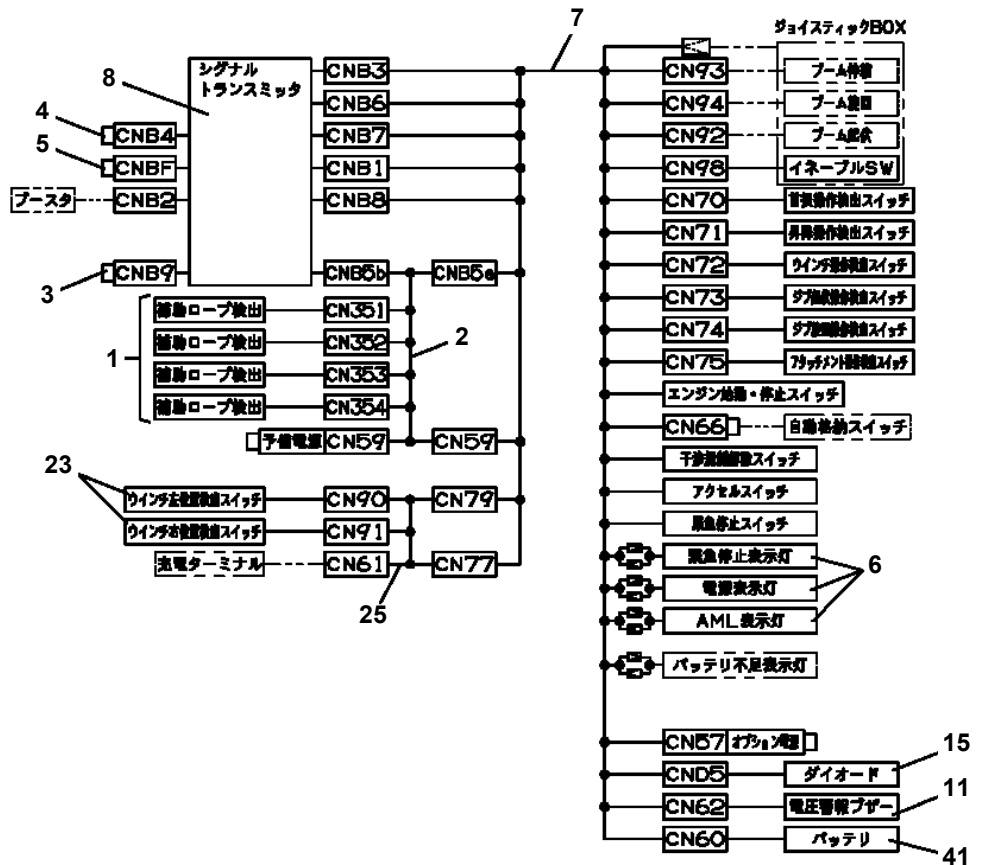
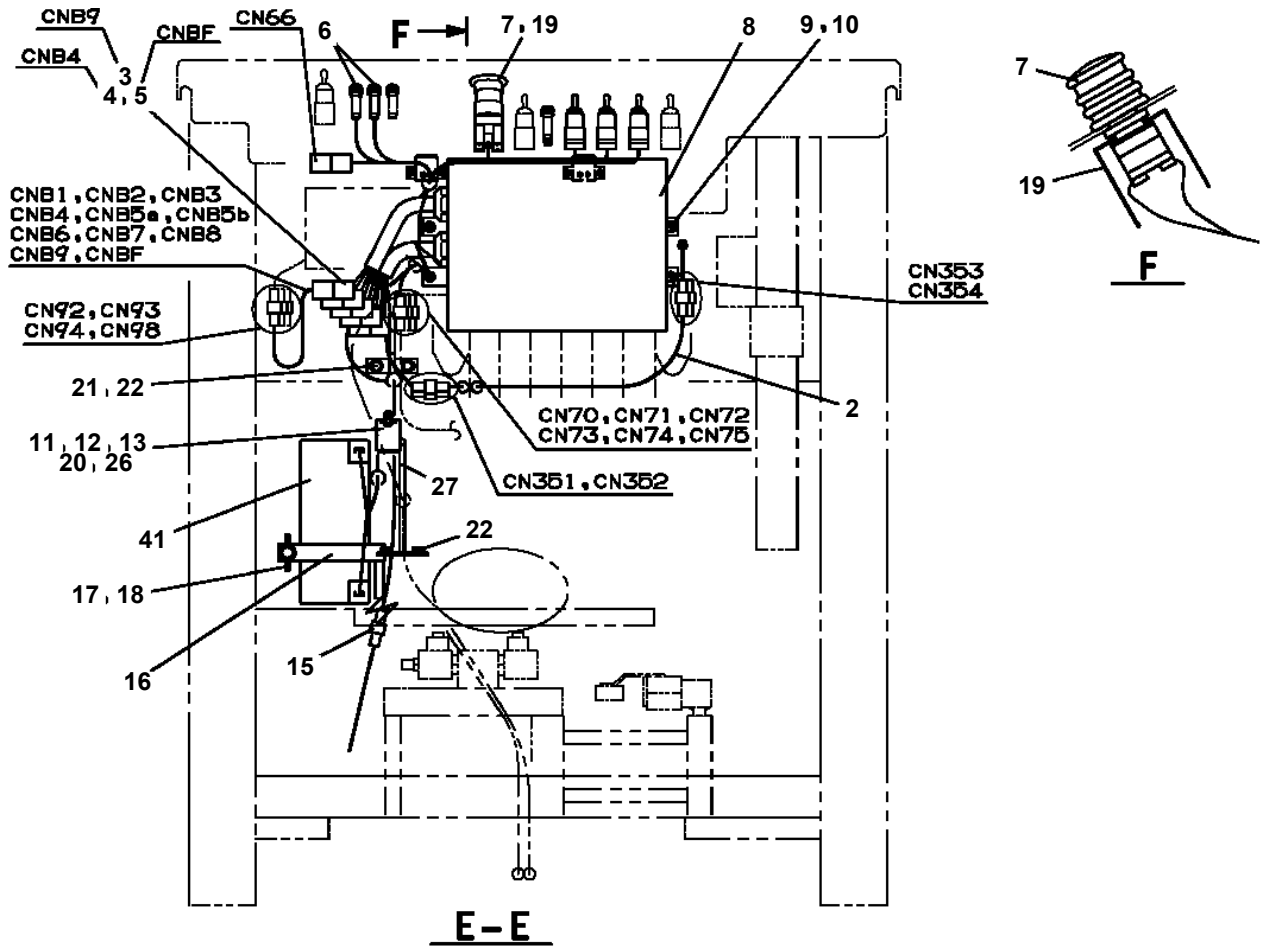
FRONT ←



AT-146-3 43011100022 UPPER

Pos No.	Parts No	Parts Name	Qty	Unit	Technical Data	Serial No (Start)	Serial No (End)
1	36028230000	CYLINDER ASSY,LEVELING (UPPER)	1				228619
	36028620000	CYLINDER ASSY,LEVELING (UPPER)	1			228620	228696
	36028230000	CYLINDER ASSY,LEVELING (UPPER)	1			228697	
2	36606760000	VALVE ASSY,COUNTERBALANCE	1				
3	90171108065	BOLT	4		M8X65		

AT-146-3 43011100022 UPPER PM5150100-02 MODIFICATION ASSY (BUCKET ELECTRIC)



配線詳細図

AT-146-3 4301110022 UPPER

Pos No.	Parts No	Parts Name	Qty	Unit	Technical Data	Serial No (Start)	Serial No (E
1	82400000422	FASTENER	2				
	82400000422	FASTENER	2				
2	80456240600	JOINT,SELF SEALING (WITH DUST CAP)	1				
	80456240600	JOINT,SELF SEALING (WITH DUST CAP)	1				
3	42310040050	ROPE (TETORON)	1	M			
	42310040050	ROPE (TETORON)	1	M			
4	82100001735	SLEEVE	2				
	82100001735	SLEEVE	2				
5	91810130230	FASTENER	1				
	91810130230	FASTENER	1				
6	37000925920	JOINT	1				
	37000925920	JOINT	1				
7	36631120050	NUT	1		M20		
	36631120050	NUT	1		M20		
8	42478162100	JOINT	1				
	42478162100	JOINT	1				
9	37002459180	HOSE	1		L=565		
	37002459180	HOSE	1		L=565		
10	37000928400	JOINT	1				
	37000928400	JOINT	1				
11	37002461530	HOSE	1		L=540		
	37002461530	HOSE	1		L=540		
31	42471437520	CAP	1				
	42471437520	CAP	1				

AT-146-3 4301110022 UPPER

Pos No.	Parts No	Parts Name	Qty	Unit	Technical Data	Serial No (Start)	Serial No (End)	Se
101	*							
	37000926900	JOINT (WITH O-RING)	1		L,G3/8-G1/4	228686	228759	
	37000926900	JOINT (WITH O-RING)	3		L,G3/8-G1/4	228760		
102	37000926900	JOINT (WITH O-RING)	3		L,G3/8-G1/4	228760		
	42340180060	ORIFICE	1		1.0	228686		
103	42340180060	ORIFICE	1		1.0	228686		
	42340240230	ORIFICE	2			228760		
111	42340240230	ORIFICE	2			228760		
	91071011500	O-RING	1		Y22550-115-A			
112	91071011500	O-RING	1		Y22550-115-A			
	91470000600	RING,BACKUP	1		Y22021-06			
122	91470000600	RING,BACKUP	1		Y22021-06			
	80400160127	JOINT	2					
123	80400160127	JOINT	2					
	80471020502	JOINT	1					
124	80471020502	JOINT	1					
	80430620400	JOINT	1					
127	80430620400	JOINT	1					
	37000921890	JOINT	1					
128	37000921890	JOINT	1					
	37000921890	JOINT	1			228760		
129	37000921890	JOINT	1			228760		
	91002801100	O-RING	9		1B P11			
131	91002801100	O-RING	9		1B P11			
	91002801400	O-RING	8		1B P14			
	91002801400	O-RING	8		1B P14			
	91002801400	O-RING	4		1B P14		228685	
	91002801400	O-RING	4		1B P14		228685	
	91002801400	O-RING	4		1B P14		228759	
	91002801400	O-RING	4		1B P14		228759	
	91002801400	O-RING	4		1B P14	228686	228759	
	91002801400	O-RING	4		1B P14	228686	228759	
	91002801400	O-RING	9		1B P14	228760		
133	91002801400	O-RING	9		1B P14	228760		
	80303130181	FITTING,ELBOW	1		KLO15-030E			
134	80303130181	FITTING,ELBOW	1		KLO15-030E			
	42346831102	JOINT	1					
134	42346831102	JOINT	1					
	80400160225	JOINT	1					
	80400160225	JOINT	1					

CLICK HERE TO **DOWNLOAD** THE COMPLETE MANUAL

- Thank you very much for reading the preview of the manual.
- You can download the complete manual from: www.heydownloads.com by clicking the link below



- Please note: If there is no response to CLICKING the link, please download this PDF first and then click on it.

CLICK HERE TO **DOWNLOAD** THE COMPLETE MANUAL

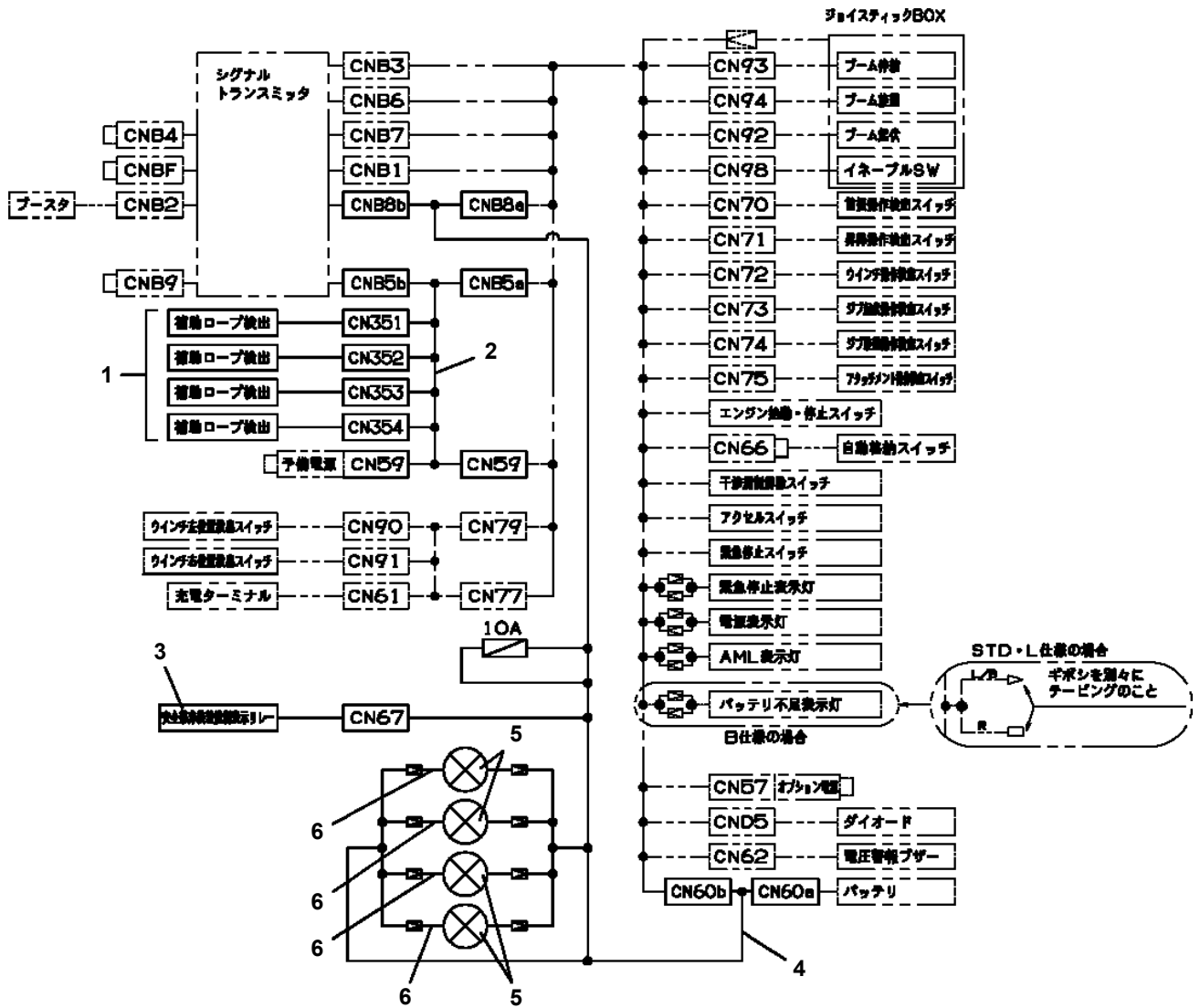
AT-146-3 43011100022 UPPER

Pos No.	Parts No	Parts Name	Qty	Unit	Technical Data	Serial No (Start)	Serial No (End)	Remarks	Pages
1	42332941100	PANEL	1						
2	90183106015	BOLT	5		M6X15				
3	37000568730	PLATE	5		T=1.5				
9	42332151010	SUPPORT	2						
10	31320020010	KNOB (BLACK)	5						
11	42331991500	ROD	5						
21	90183106010	BOLT	1		M6X1.0				
22	90201200600	NUT	1		M6				
23	90303070601	WASHER,PLAIN	1		6				

AT-146-3 43011100022 UPPER

Pos No.	Parts No	Parts Name	Qty	Unit	Technical Data	Serial No (Start)
1	(*****)	MODIFICATION ASSY (SAFETY ROPE INTERLOCK:JU)	1			
2	(*****)	MODIFICATION ASSY (SAFETY ROPE INTERLOCK:JU)	1			
3	(*****)	MODIFICATION ASSY (SAFETY ROPE INTERLOCK:JU)	1			
4	(*****)	MODIFICATION ASSY (SAFETY ROPE I/L:JU)	1			228522
5	(*****)	MODIFICATION ASSY (SAFETY ROPE INTERLOCK:STD)	1			
6	(*****)	MODIFICATION ASSY (SAFETY ROPE INTERLOCK:J)	1			
7	(*****)	MODIFICATION ASSY (SAFETY ROPE INTERLOCK)	1			228415

AT-146-3 43011100022 UPPER
 PM5150298-01 MODIFICATION ASSY (BUCKET ELECTRIC)

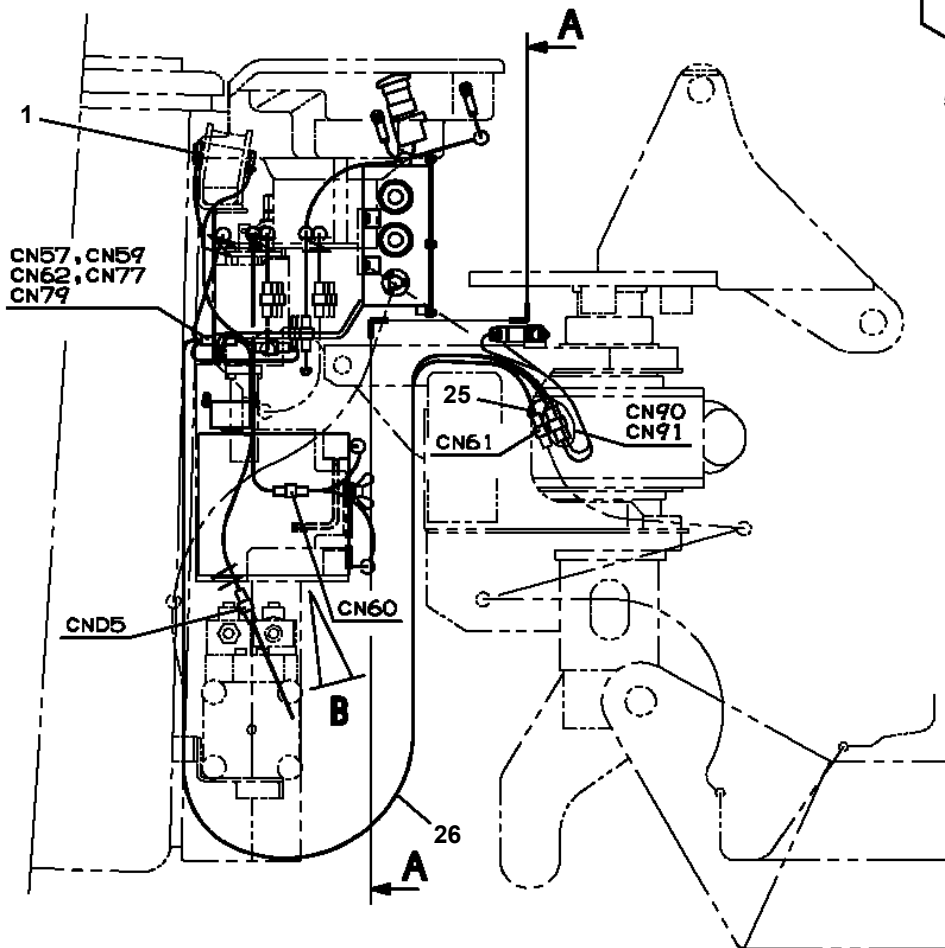
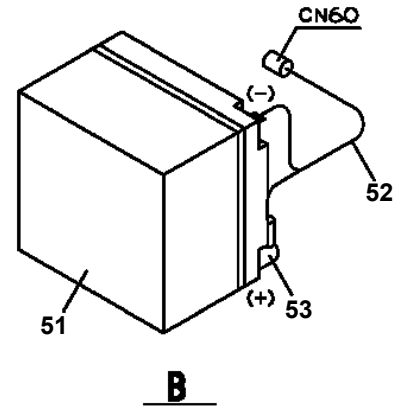
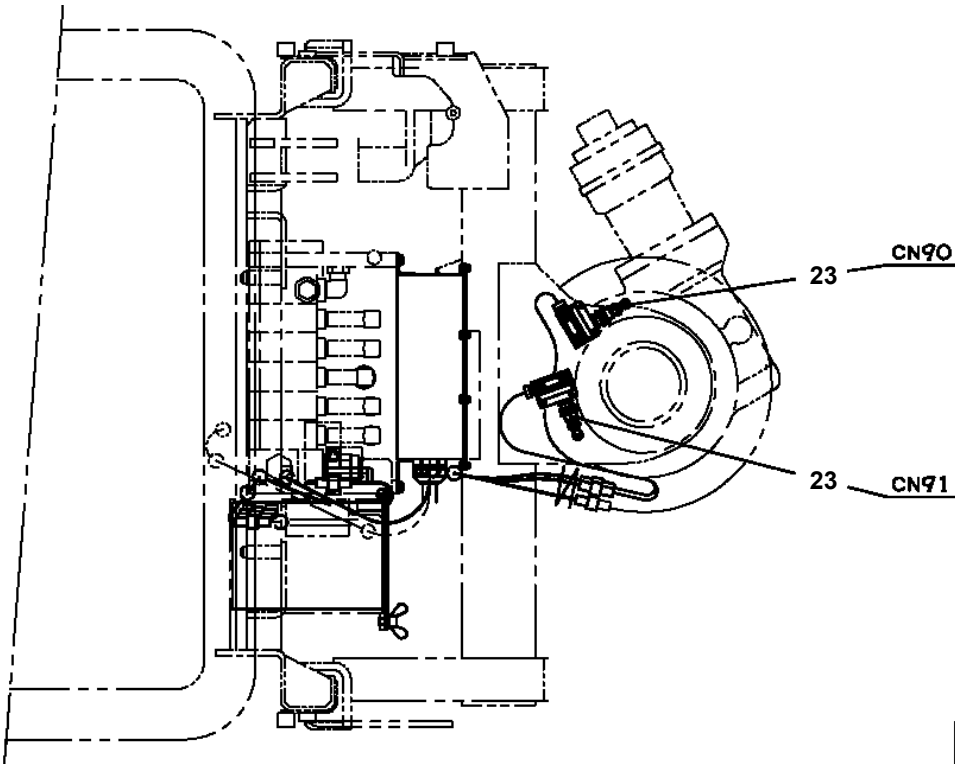


配線詳細図

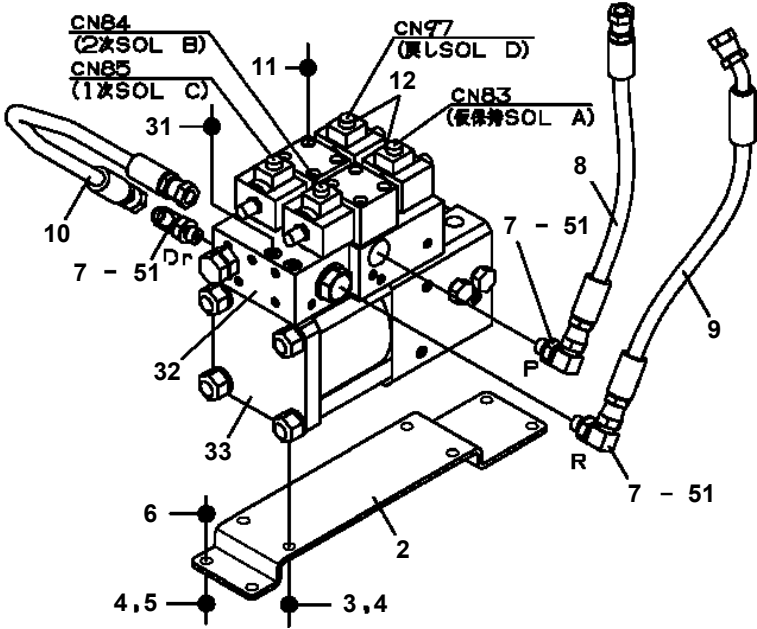
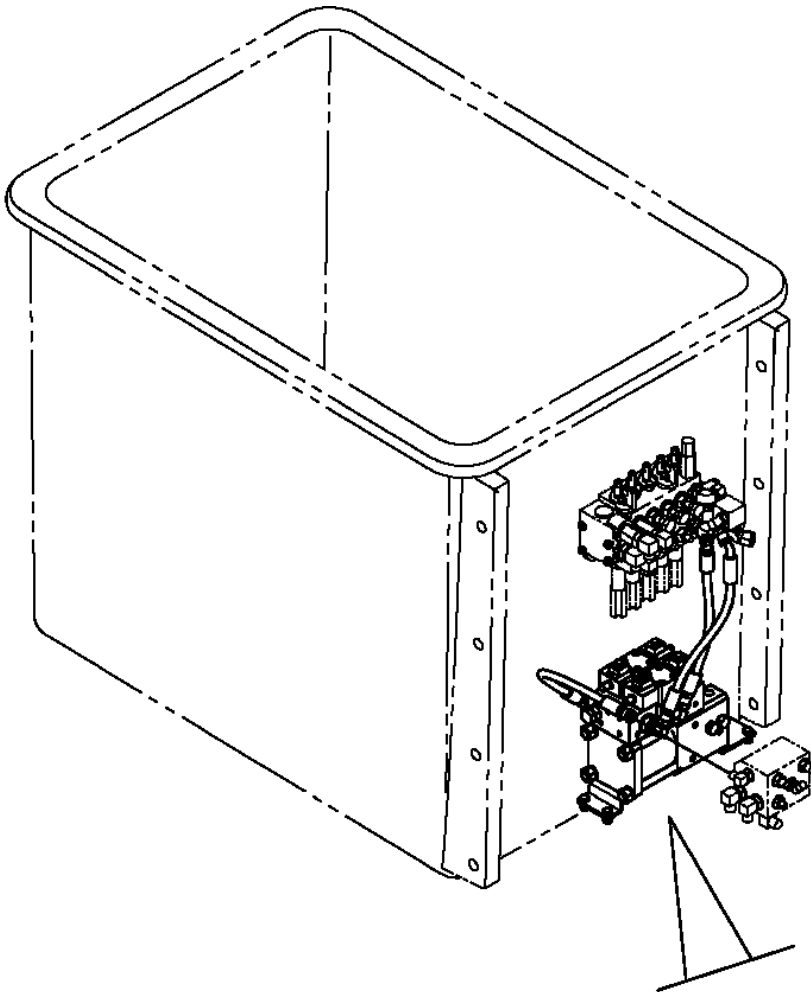
AT-146-3 43011100022 UPPER

Pos No.	Parts No	Parts Name	Qty	Unit	Technical Data	Serial No (Start)	Serial No (End)	R
1	42470400100	JOINT,SELF SEALING (WITH CAP)	1					
2	90201200600	NUT	2		M6			
3	90302040601	WASHER,SPRING	2		6			
4	37000568730	PLATE	2		T=1.5			
5	42506641300	PLATE	1					
6	42473440020	JOINT	1					
7	90183106020	BOLT	2		M6X20			
8	90303070601	WASHER,PLAIN	2		6			
9	91810130230	FASTENER	1					
10	91810132530	FASTENER	10					
31	42470407570	CAP	1					

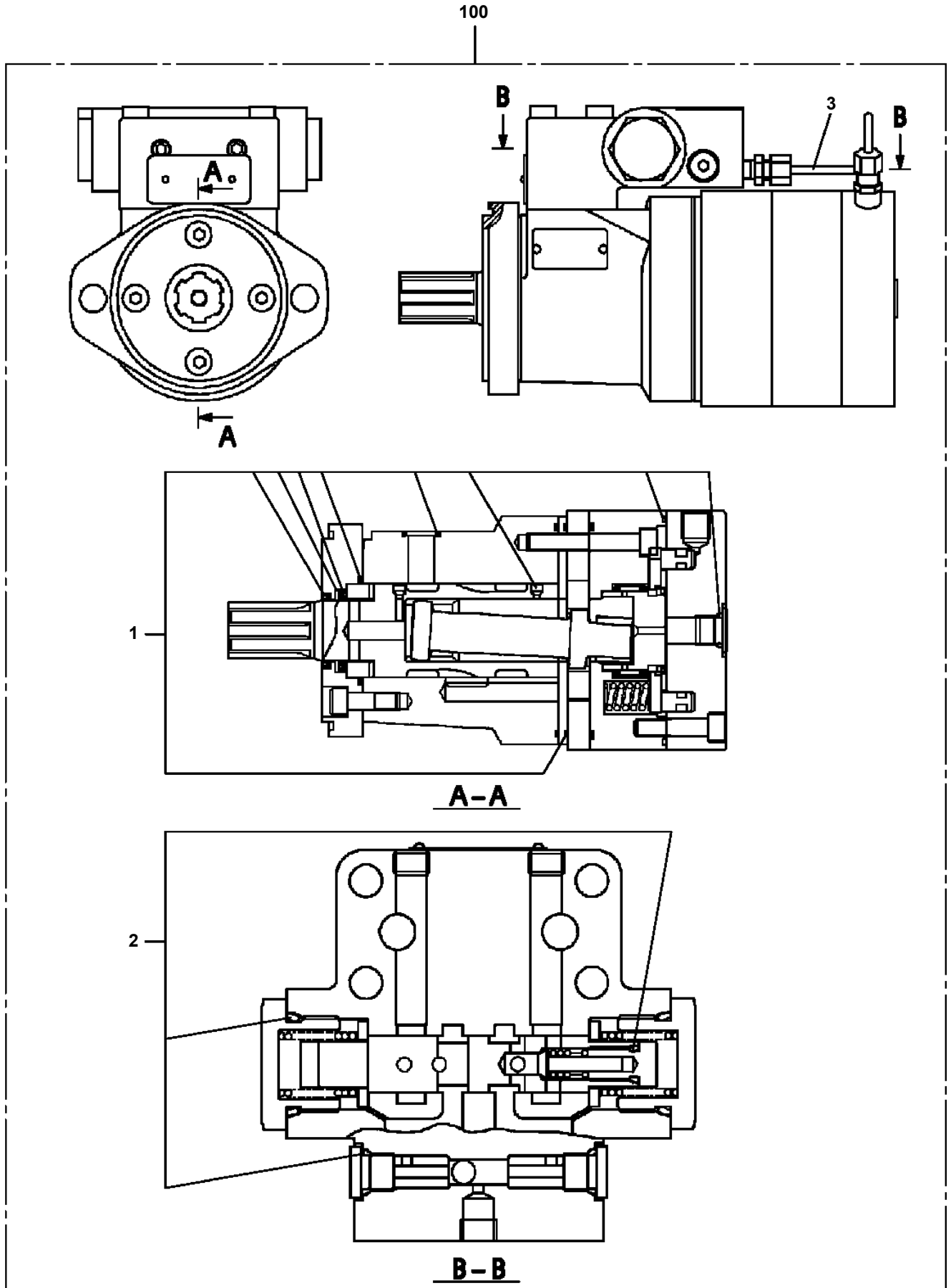
**AT-146-3 43011100022 UPPER
PM5150576-00 MODIFICATION ASSY (BUCKET ELECTRIC)**



**AT-146-3 43011100022 UPPER
 PM5150738-00 MODIFICATION ASSY (J SPEC.)**



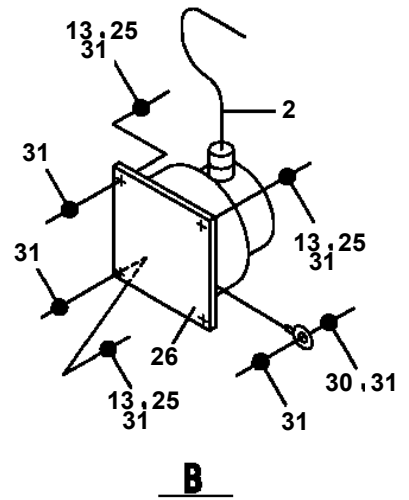
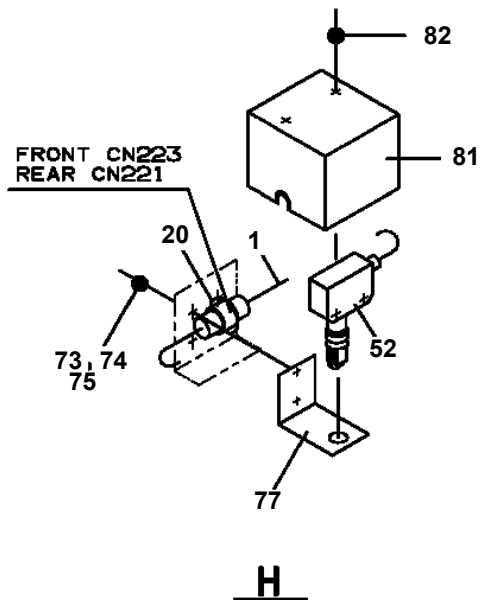
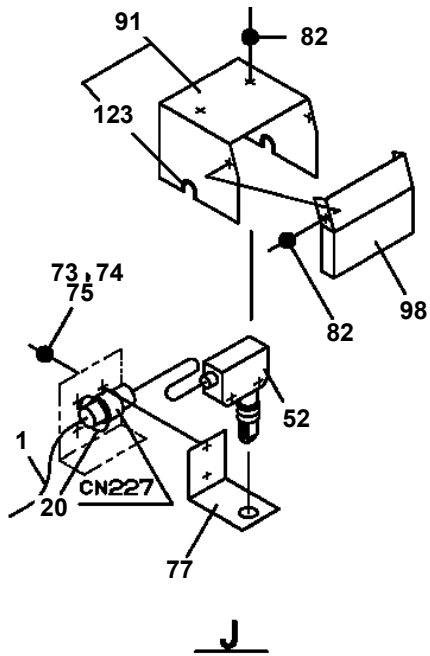
AT-146-3 43011100022 UPPER
PM5210007-01 MOTOR ASSY,OIL



AT-146-3 4301110022 UPPER

Pos No.	Parts No	Parts Name	Qty	Unit	Technical Data	Serial No (Start)	Serial No (End)	F
1	42356750200	CABLE	1		L=10000			
2	90302040801	WASHER,SPRING	2		8			
4	91810132530	FASTENER	20					
5	90101208020	BOLT	2		M8X20			
7	90101210020	BOLT	4		M10X20			
8	90302041001	WASHER,SPRING	8		10			
9	90201201000	NUT	4		M10			
10	90303071001	WASHER,PLAIN	8		10			
11	42421732001	INVERTER	1					
13	90101205010	BOLT	1		M5X10			
14	90201200500	NUT	1		M5			
15	90302040501	WASHER,SPRING	1		5			
16	90303070501	WASHER,PLAIN	2		5			
17	91810130230	FASTENER	10					
18	90101210025	BOLT	4		M10X25			
19	42356410100	SUPPORT	2					
20	42420922100	PLATE,NAME (AC200V)	1					
42	42421345650	SUPPORT	1					
43	82400000219	GROMMET	1					
44	80172305010	SCREW,MACHINE	4		M5X10			
45	90302040501	WASHER,SPRING	4		5			
51	42356752100	CABLE ASSY (WITH CONNECTOR)	1		L=5650			

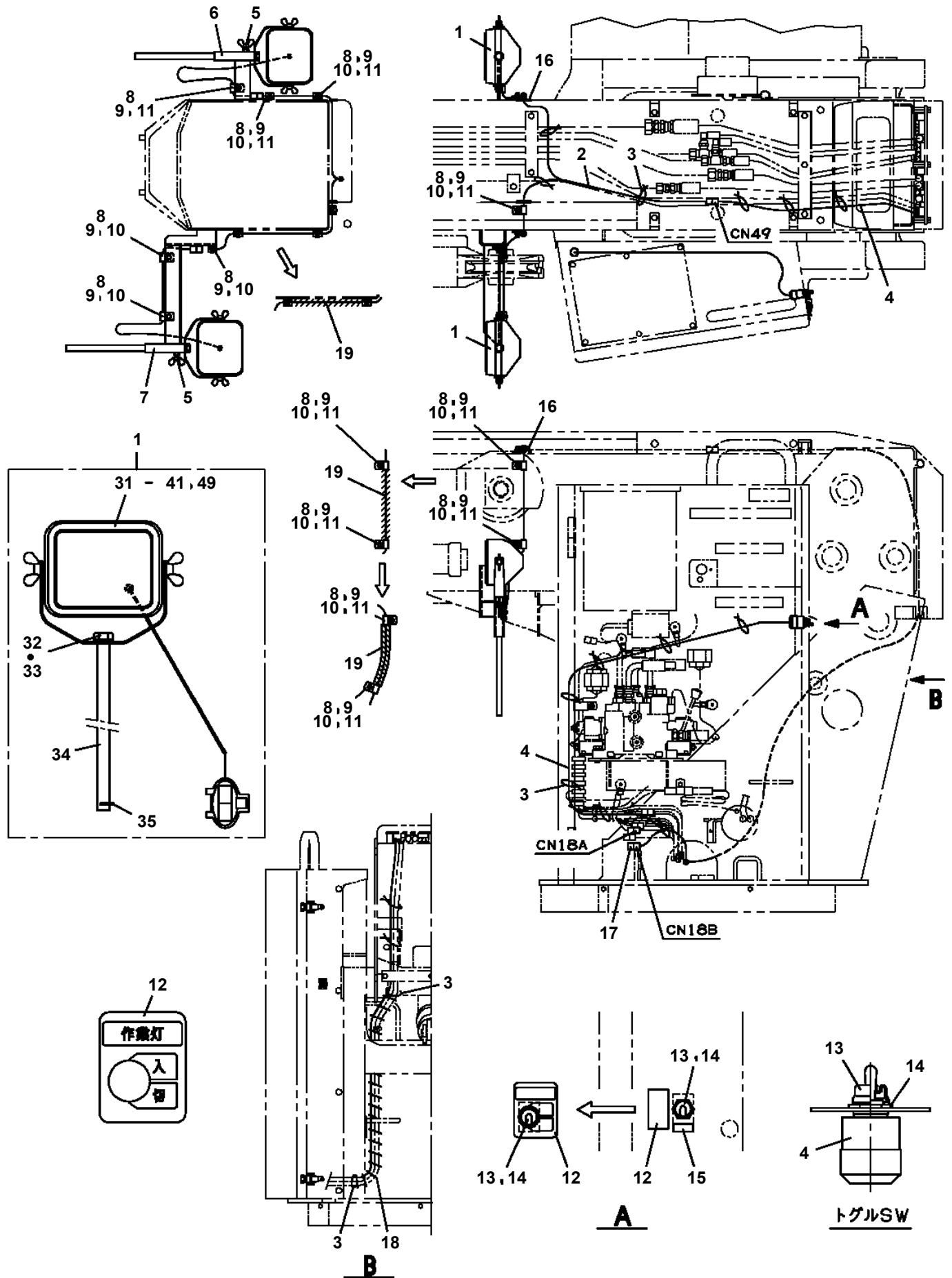
**AT-146-3 43011100022 UPPER
PN1014486-02 ELEC.ASSY (FRAME)**



AT-146-3 4301110022 UPPER

Pos No.	Parts No	Parts Name	Qty	Unit	Technical Data	Serial No (Start)	Serial No (End)	Re
1	42502951000	BOX ASSY (PLUG SOCKET)	2					
2	91810132530	FASTENER	16					
3	90101206016	BOLT	4		M6X16			
4	90302040601	WASHER,SPRING	4		6			
5	42442470050	PLATE	2					
6	42502950100	HARNESS	1					
7	82401601002	CLAMP	8				229530	
	82401601002	CLAMP	9			229531		
8	91810130240	FASTENER	8				229530	
	91810130240	FASTENER	9			229531		
9	42733650040	PLATE,NAME (POWER SOURCE)	2					
21	82114101020	CONNECTOR (2P,MALE)	2					
22	82121102020	HOLDER	2					
23	82111101010	TERMINAL	4					
24	82121101085	PLUG (AVS0.85)	4					
25	82100001425	CABLE	2	M				
26	82100000592	TERMINAL (M40.3 TO 1.25)	4					
27	82100001220	INSULATOR	4					
28	82100002399	CONNECTOR	2					
29	82100002129	PLATE	2					
30	80172304008	SCREW,MACHINE	4		M4X8			
31	90302040401	WASHER,SPRING	4		4			
32	42502951100	CASE	2				228728	
	42502951200	CASE	2			228729		
33	82400000073	GROMMET	2				228728	
	82400000214	GROMMET	2			228729		

**AT-146-3 43011100022 UPPER
PN1080397-03 LAMP (WORKING:BOOM)**

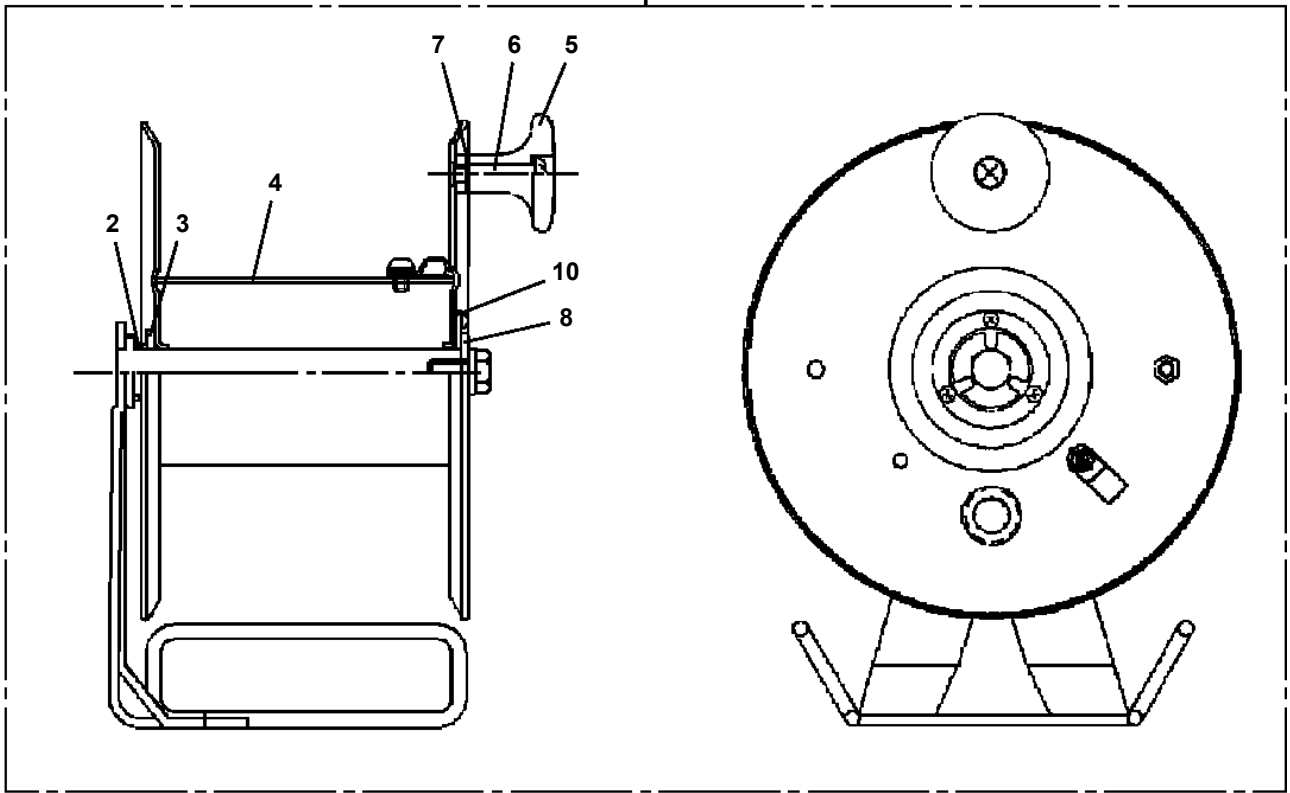


AT-146-3 43011100022 UPPER

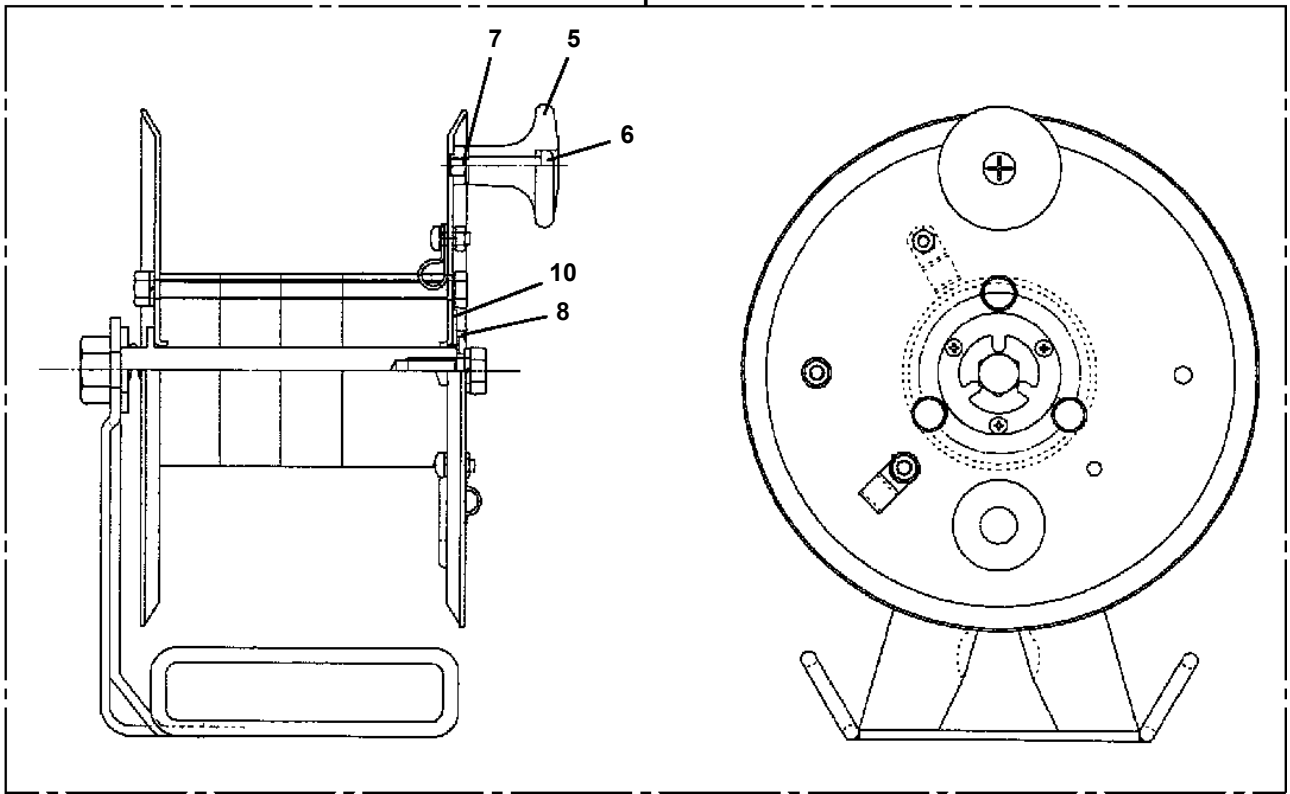
Pos No.	Parts No	Parts Name	Qty	Unit	Technical Data	Serial No (Start)	Serial No (End)	Remarks	Pages
1	42503690100	SWITCH ASSY	1				228576		
2	42503690010	PLATE,NAME	1						
3	82199514013	CAP	1				228103		
4	82199504063	CAP	1				228103		
5	82199504017	NUT	1		AT-401N		228103		
6	42394783030	PLATE,NAME	1						
7	91810130240	FASTENER	2						
21	42503690200	SWITCH ASSY	1			228577			
23	82100000665	CAP (BLACK)	1			228104			

AT-146-3 43011100022 UPPER
PN1350032-02 REEL, CORD

50



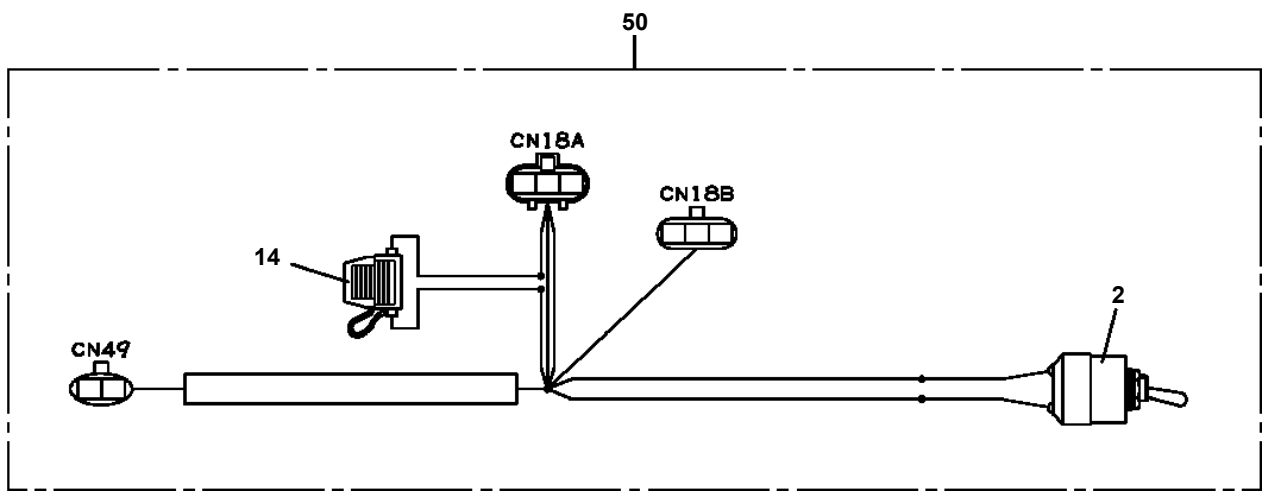
50



AT-146-3 43011100022 UPPER

Pos No.	Parts No	Parts Name	Qty	Unit	Technical Data	Serial No (Start)	Serial No (End)	Remarks	Pages
32	34351562510	BOX,FUSE	1						
33	82100001841	FUSE	3		20A,YELLOW				
35	82100001839	FUSE	7		10A.RED				
48	82161202010	RELAY	2						
52	82100001836	FUSE	2		3A				
55	82100001840	FUSE	2		15A,BLUE				
100	42653720102	HARNESS	1						

AT-146-3 43011100022 UPPER
PN1450161-01 HARNESS



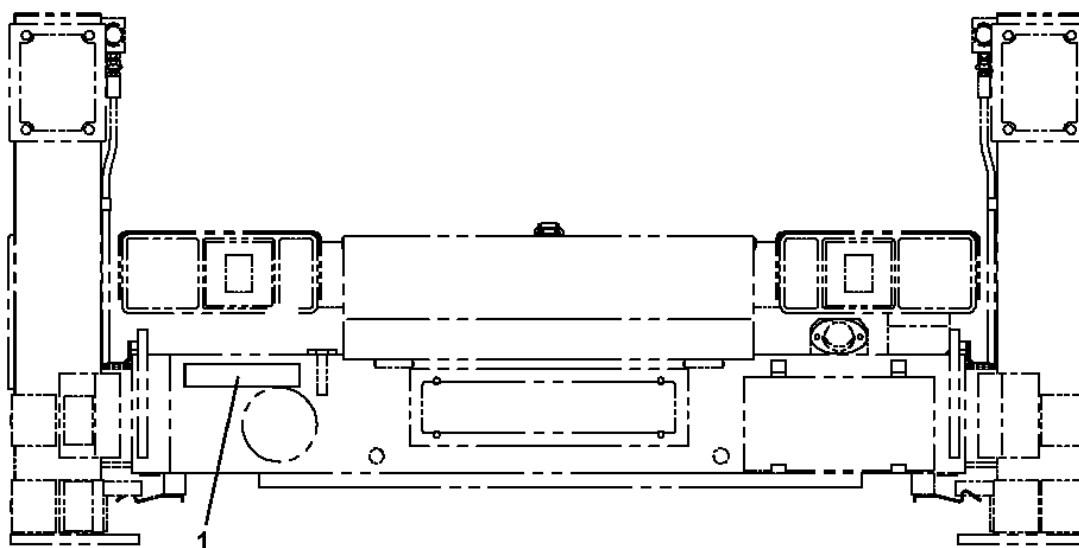
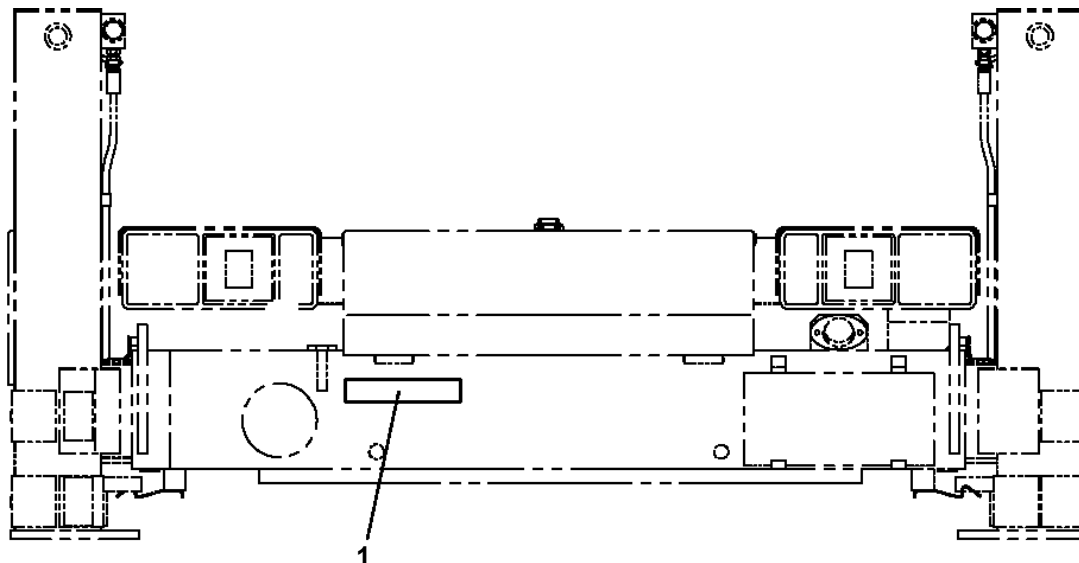
AT-146-3 4301110022 UPPER

Pos No.	Parts No	Parts Name	Qty	Unit	Technical Data	Serial No (Start)	Serial No (End)	Remarks	Pages
1	42398292010	PLATE,NAME	1						
2	42398292020	PLATE,NAME	1						
3	42399491010	PLATE,NAME	1						
4	42331782100	PLATE,NAME	1						
5	42391163120	PLATE,NAME	1						
6	42399742010	PLATE,NAME	1						
7	42331322060	PLATE,NAME	1						
8	42331322030	PLATE,NAME	1						
9	42331322010	PLATE,NAME	1						
10	42331272010	PLATE,NAME	1						
11	42398292050	PLATE,NAME	1						
12	42331272030	PLATE,NAME	1						
13	42392583050	PLATE,NAME	2						
14	42503390010	PLATE,NAME	1						
15	42331782110	PLATE,NAME	1						
16	42394783020	PLATE,NAME	1						
17	42398292060	PLATE,NAME	1						
18	42502782010	PLATE,NAME	1						
19	42475910010	PLATE,NAME	1						
20	42502783010	PLATE,NAME	1						
21	42502783020	PLATE,NAME	1						
22	42502900010	PLATE,NAME	1						
23	42503690010	PLATE,NAME	1						
24	42398321010	PLATE,NAME	1						
25	42398292030	PLATE,NAME	1						
26	42399742020	PLATE,NAME	1						
27	42331322050	PLATE,NAME	1						
28	42331322040	PLATE,NAME	1						

AT-146-3 4301110022 UPPER

Pos No.	Parts No	Parts Name	Qty	Unit	Technical Data	Serial No (Start)	Serial No (End)	Remarks	Pages
1	42398292010	PLATE,NAME	1						
2	42398292020	PLATE,NAME	1						
3	42398292030	PLATE,NAME	1						
4	42331782100	PLATE,NAME	1						
5	42391163120	PLATE,NAME	1						
6	42399742010	PLATE,NAME	1						
7	42331322060	PLATE,NAME	1						
8	42331322050	PLATE,NAME	1						
9	42331322040	PLATE,NAME	1						
10	42331322030	PLATE,NAME	1						
11	42331322020	PLATE,NAME	1						
12	42331322010	PLATE,NAME	1						
13	42331272010	PLATE,NAME	1						
14	42398292050	PLATE,NAME	1						
15	42331272030	PLATE,NAME	1						
16	42392583050	PLATE,NAME	2						
17	42392583100	PLATE,CAUTION	1						
18	42392583110	PLATE,CAUTION	1						
19	42394782010	PLATE,CAUTION	1						
20	42391720040	PLATE,CAUTION	1						
21	42398292060	PLATE,NAME	1						
22	42399742020	PLATE,NAME	1						
23	42394923020	PLATE,CAUTION	1						
24	42392583200	PLATE,CAUTION	1						
25	42591001030	PLATE,CAUTION	1						

AT-146-3 43011100022 UPPER
PO1014293-00 PLATE ASSY,NAME (LOADING CAPACITY 300KG)

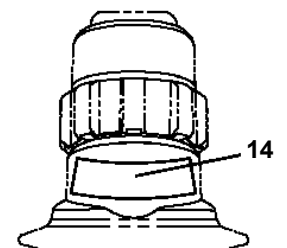
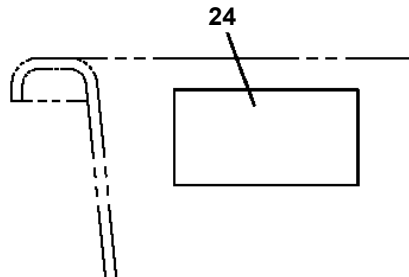
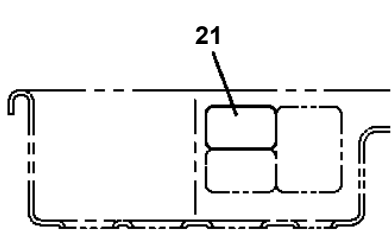
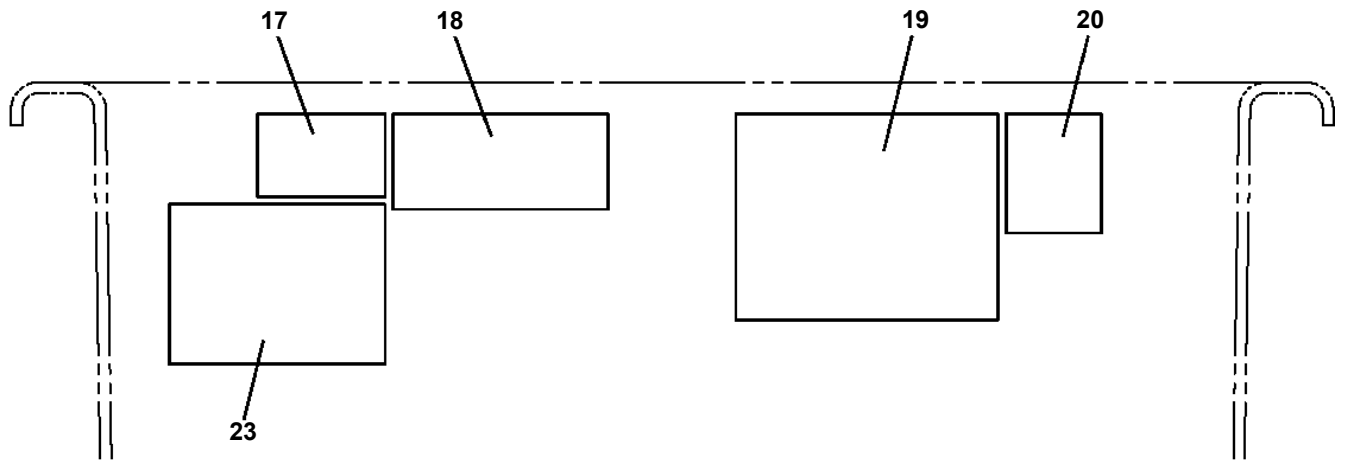
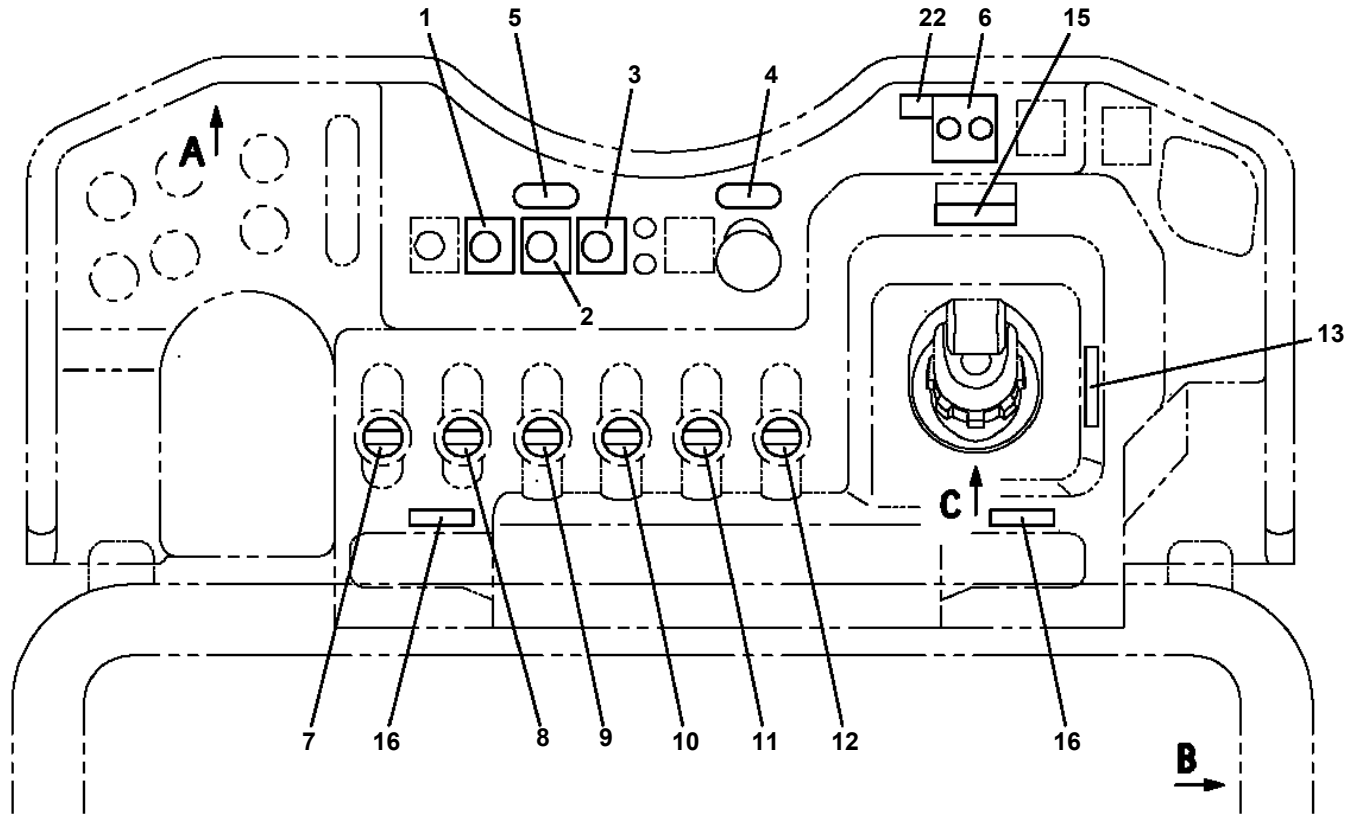


大型後部反射板付の場合

AT-146-3 43011100022 UPPER

Pos No.	Parts No	Parts Name	Qty	Unit	Technical Data	Serial No (Start)	Serial No (End)	Remarks	Pages
1	37002227800	PLATE,CAUTION	1						

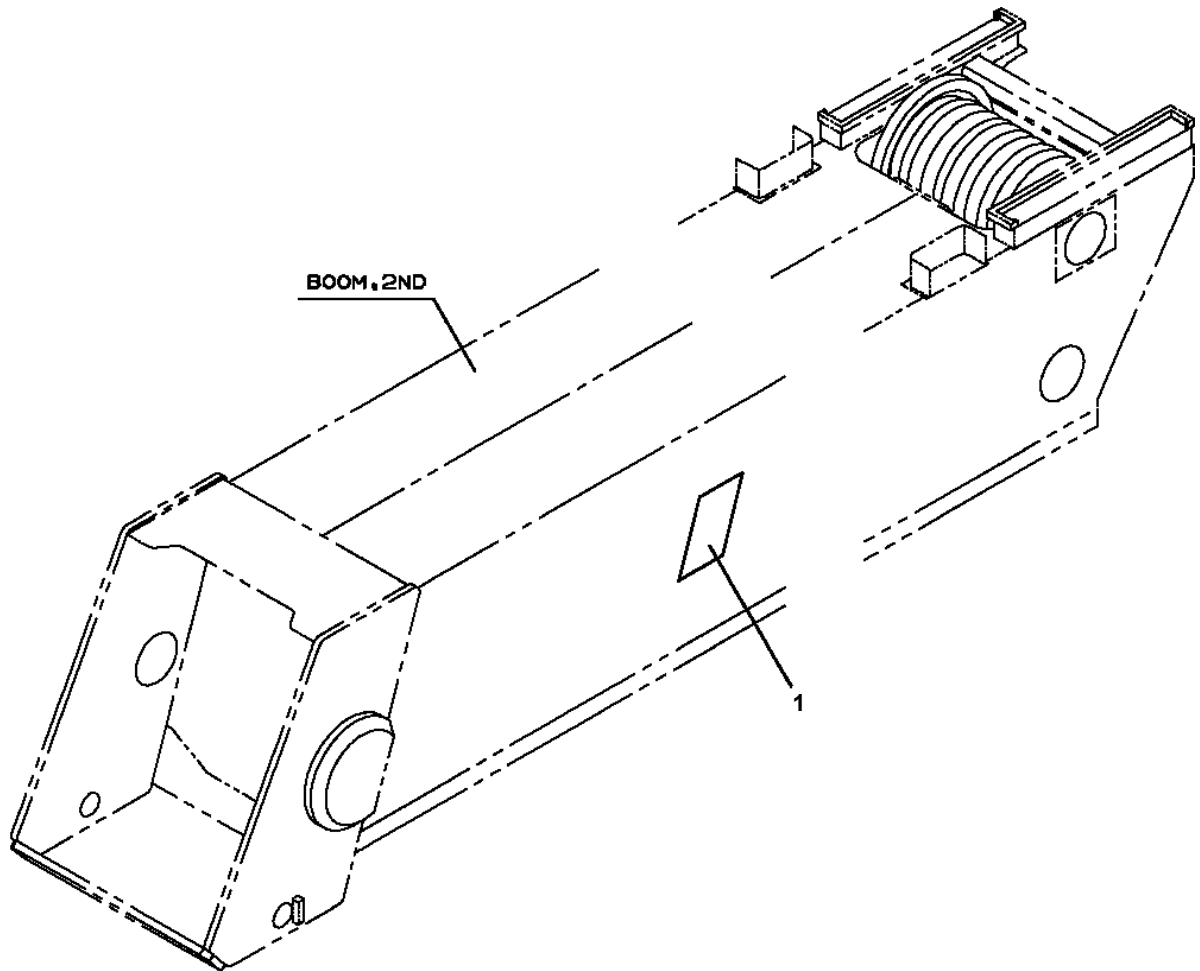
**AT-146-3 43011100022 UPPER
PO1015017-00 PLATE ASSY,NAME (BUCKET)**



AT-146-3 4301110022 UPPER

Pos No.	Parts No	Parts Name	Qty	Unit	Technical Data	Serial No (Start)	Serial No (End)	Remarks	Pages
1	42398292010	PLATE,NAME	1						
2	42398292020	PLATE,NAME	1						
3	42398292030	PLATE,NAME	1						
4	42331782100	PLATE,NAME	1						
5	42391163120	PLATE,NAME	1						
6	42399742010	PLATE,NAME	1						
7	42331322060	PLATE,NAME	1						
8	42331322050	PLATE,NAME	1						
9	42331322040	PLATE,NAME	1						
10	42331322030	PLATE,NAME	1						
11	42331322020	PLATE,NAME	1						
12	42331322010	PLATE,NAME	1						
13	42331272010	PLATE,NAME	1						
14	42398292050	PLATE,NAME	1						
15	42331272030	PLATE,NAME	1						
16	42392583050	PLATE,NAME	2						
17	42392583100	PLATE,CAUTION	1						
18	42392583110	PLATE,CAUTION	1						
19	42394782010	PLATE,CAUTION	1						
20	42391720040	PLATE,CAUTION	1						
21	42398292060	PLATE,NAME	1						
22	42399742020	PLATE,NAME	1						
23	42394923020	PLATE,CAUTION	1						
24	42392583200	PLATE,CAUTION	1						

AT-146-3 43011100022 UPPER
PO1050142-00 MARKING (BOOM)



AT-146-3 43011100022 UPPER

Pos No.	Parts No	Parts Name	Qty	Unit	Technical Data	Serial No (Start)	Serial No (End)	Remarks	Pages
7	42332677560	SPRING	1						
11	42332677520	PLUG	1						
12	42332677530	BOOT	1						
21	42332677610	COVER	1						
22	42332677620	CAP	1						
23	42332671010	PLATE	1						
47	42332677630	BEARING	2						
48	42332677540	SPRING	1						
49	42332677650	SPRING	2						
54	42332677660	WASHER	1						
100	42333572000	OPE.ASSY	1						

AT-146-3 4301110022 UPPER

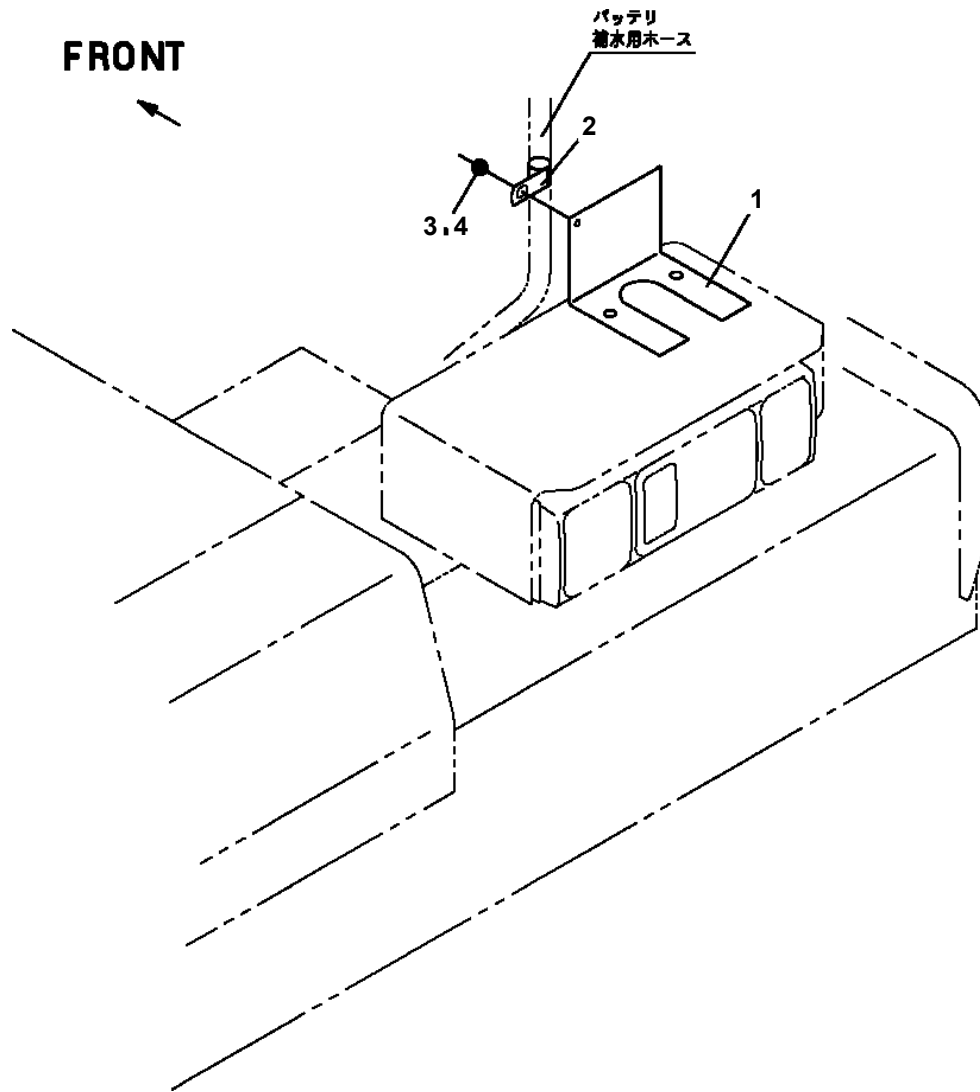
Pos No.	Parts No	Parts Name	Qty	Unit	Technical Data	Serial No (Start)	Serial No (End)
1	42346833002	SUPPORT	1				
2	90186208010	BOLT,FLANGE	2		M8X10		
4	81408000160	PIPE,STEEL	1	M	12X1.4T		
5	81408000160	PIPE,STEEL	1	M	12X1.4T		
6	37002489350	HOSE	1		L=800		
7	82100001412	TUBE,SPIRAL	1	M	SE-12BK		
8	80320040075	FITTING,ELBOW	1				
9	37000931540	JOINT	4				
10	37001600810	NUT	6		PF1/4		
11	37000931530	JOINT	2				
12	37001600820	NUT	4		PF3/8		
13	80320040080	FITTING,ELBOW	1				
14	91810130230	FASTENER	2				
15	82100001735	SLEEVE	4				
16	42310040050	ROPE (TETORON)	2				
18	90180208020	BOLT,BUTTON	2		M8X20		
27	91002801400	O-RING	2		1B P14		
28	80456120610	JOINT,SELF SEALING (PLUG)	1				
29	37002464900	HOSE	2		L=430		
31	80456110610	JOINT,SELF SEALING (SOCKET)	1				
32	80320020080	FITTING	2		KUF12-030N		
33	81408000160	PIPE,STEEL	1	M	12X1.4T		
34	81408000160	PIPE,STEEL	1	M	12X1.4T		
35	37002489100	HOSE	1		L=1350		
36	37002488410	HOSE	1		L=1310		
37	37002489300	HOSE	2		L=1290		
38	37002488490	HOSE	1		L=1340		
39	37002488500	HOSE	2		L=1370		
40	37002489310	HOSE	1		L=1430		
45	80430620400	JOINT	2				
46	91810130270	FASTENER	7				
47	90101208014	BOLT	2		M8X14		
48	90302040801	WASHER,SPRING	4		8		
49	37002489360	HOSE	1		L=690		
50	37002489370	HOSE	2		L=1400		
51	37002414920	HOSE	1		L=750		
52	37002489940	HOSE	1		L=1470		
53	37002489950	HOSE	1		L=1410		
54	37002489960	HOSE	1		L=1460		
55	42346830300	SUPPORT	1				
56	90101206010	BOLT	2		M6X1.0		
57	90302040601	WASHER,SPRING	2		6		
58	42346833700	SUPPORT	1				
59	80320040090	FITTING,ELBOW	1				
60	81408000210	PIPE,STEEL	1	M	15X2.0T		
61	37002460810	HOSE	1		L=650		
62	82100001819	TUBE,SPIRAL	1	M	SE-18BK		
63	37000928450	JOINT	2				
64	37002414980	HOSE	1		L=290		
65	37002414990	HOSE	1		L=300		
66	80481304024	JOINT	2				
67	91002801800	O-RING	2		1B P18		
91	37000908720	JOINT (WITH O-RING)	2		PF1/2-PF3/8		
92	37000928370	JOINT	1		S,G1/2-G1/2		
93	91002801800	O-RING	4		1B P18		
94	37000908730	JOINT (WITH O-RING)	4		L,G3/8-G1/4		228685
95	* 80491303020	JOINT (WITH O-RING)	4		L,G3/8-G1/4		228759
96	80491303030	JOINT (WITH O-RING)	1		L,PF3/8-PF3/8		
97	80430620600	JOINT (WITH O-RING)	3		L,G3/8-G3/8		
98	80303130161	FITTING,ELBOW	2		KLO12-030E		
99	80303130141	FITTING,ELBOW	2		KLO12-020E		
100	42346832100	JOINT	1			228338	
104	37000921890	JOINT	1				

AT-146-3 43011100022 UPPER

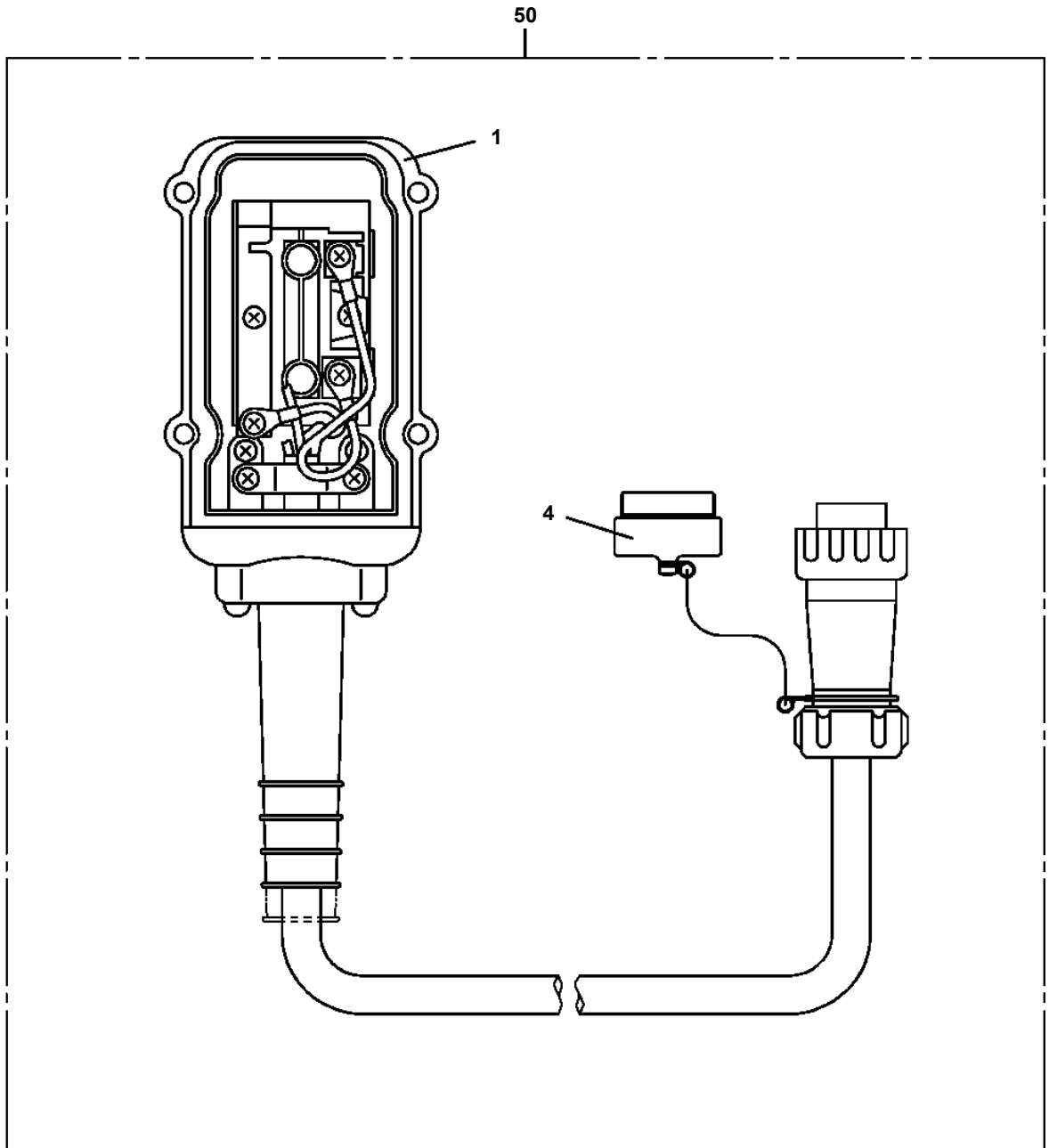
Pos No.	Parts No	Parts Name	Qty	Unit	Technical Data	Serial No (Start)	Serial No (End)	Remarks
5	82182819823	DIODE	1		1.5A			
9	34354781710	RELAY (WITH BRACKET)	1					
100	34354781720	RELAY (WITH HARNESS)	1					

AT-146-3 43011100022 UPPER

PS5420078-00 SUPPORT ASSY (BATTERY SUPPLEMENTARY WATER HOSE/RIGHT)



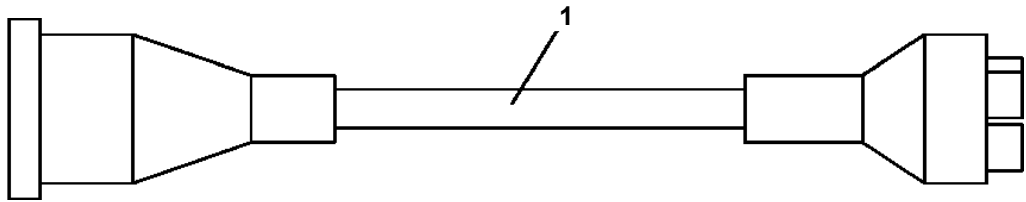
**AT-146-3 43011100022 UPPER
PS5530103-00 SWITCH ASSY (3M,ELECTLIC BOOSTER REMOCON)**



AT-146-3 43011100022 UPPER

Pos No.	Parts No	Parts Name	Qty	Unit	Technical Data	S
1	82109833233	SWITCH	1			
2	82141700104	CABLE	3	M		
3	82100002173	CONNECTOR	1			
100	42510461400	SWITCH ASSY (4-POLES,CORD LENGTH:2M/HIGH SPEED BOOSTER)	1			

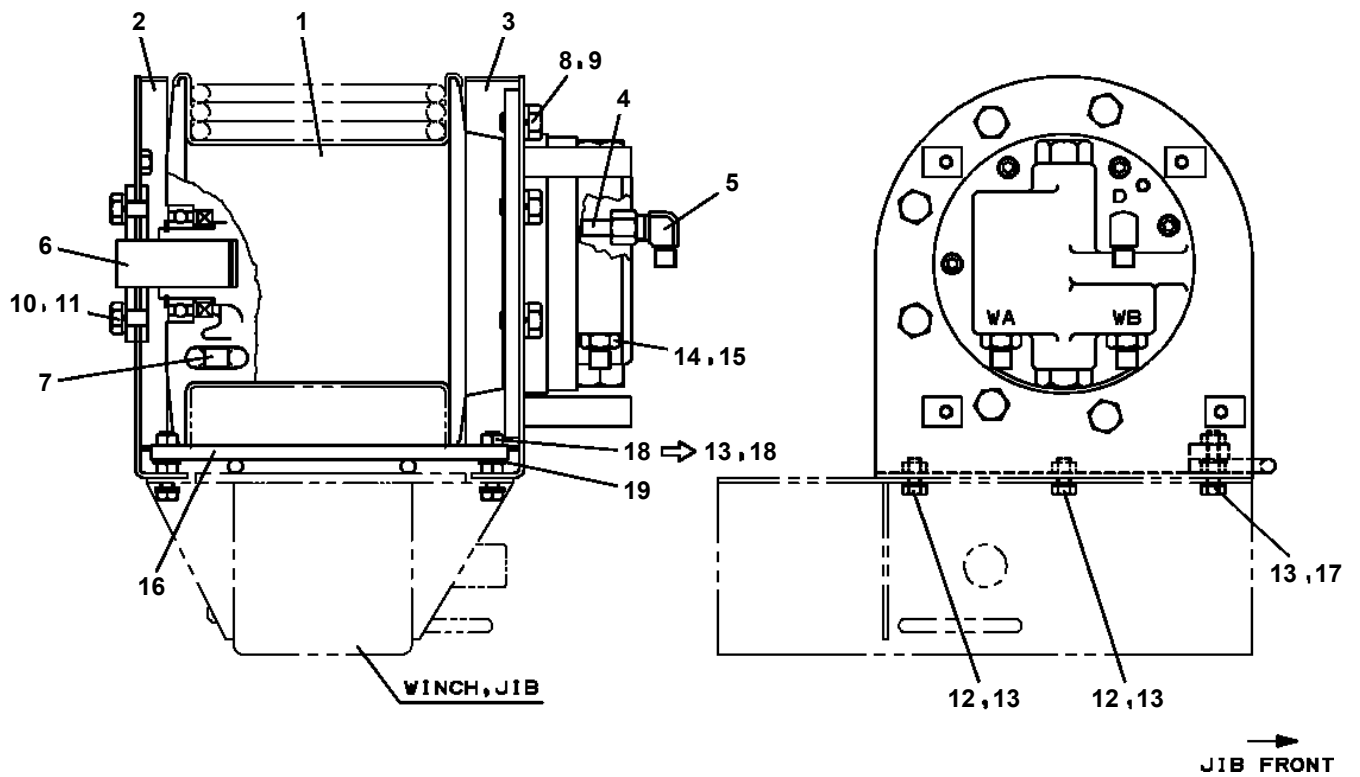
**AT-146-3 43011100022 UPPER
PV1300014-00 CABLE**



AT-146-3 4301110022 UPPER

Pos No.	Parts No	Parts Name	Qty	Unit	Technical Data	Serial No (Start)	Serial No (End)	Remarks
1	90101208016	BOLT	2		M8X16			
2	90302040801	WASHER,SPRING	2		8			
3	36630910061	NEEDLE	1				229242	
	36630910062	NEEDLE	1			229243		
4	36630910031	HOLDER	1					
5	91002801000	O-RING	1		1B P10			
6	91410001000	RING,BACKUP	1		P10			
7	36636340010	BODY	1					
8	52255101000	SPRING	1					
9	36630910050	POPPET	1					
10	91002801400	O-RING	1		1B P14			
11	36620030050	PLUG	1					
12	82400000350	KNOB	1					
13	37000508510	PLATE	1					
14	80172303006	SCREW,MACHINE	1		M3X6			
15	91002800800	O-RING	1		1B P8			
100	36636340001	VALVE ASSY,SELECTOR	1					

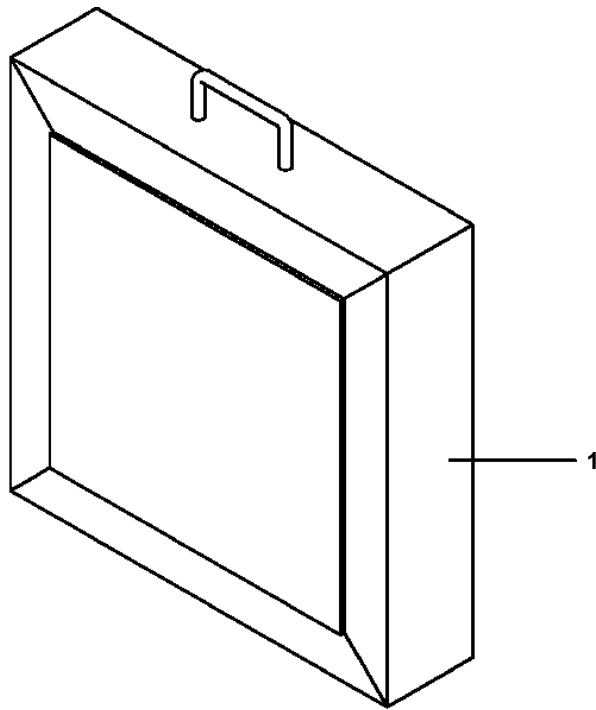
**AT-146-3 43011100022 UPPER
PW5070005-01 WINCH ASSY (MOUNT,JUK)**



AT-146-3 4301110022 UPPER

Pos No.	Parts No	Parts Name	Qty	Unit	Technical Data	Serial No (Start)	Serial No (End)	Remarks
1	42775691003	GUARD,SIDE	1					
2	42775692003	GUARD,SIDE	1					
4	42775690600	SUPPORT	1					
5	90171112040	BOLT	4		M12X40			
6	90302041201	WASHER,SPRING	4		12			
7	37000579050	PLATE	4				228569	
	90303501201	WASHER,PLAIN	4		12	228570	228630	
	37000586760	WASHER,PLAIN	4		12	228631		
8	90171110030	BOLT	6		M10X30			
9	90201781000	NUT	8		M10			
10	90302041001	WASHER,SPRING	8		10			
11	90303071001	WASHER,PLAIN	12		10			
14	90101208012	BOLT	3		M8X12			
15	90302040801	WASHER,SPRING	3		8			
16	90303070801	WASHER,PLAIN	1		8			
17	42775710300	SUPPORT	2					
18	90172110020	BOLT,HEXAGON SOCKET	2		M10X20			
19	90201200800	NUT	4		M8			
20	37000520150	PLATE	6					
22	42775690401	SUPPORT	1					
23	90101208025	BOLT	3		M8X25			

**AT-146-3 43011100022 UPPER
PX1270086-01 WOOD BLOCK (W=350,H=80)**



AT-146-3 43011100022 UPPER

Pos No.	Parts No	Parts Name	Qty	Unit	Technical Data
1	42971852000	BLOCK,WOOD (LEFT REAR:KANSAI DENRYOKU/DETACHABLE TYPE)	1		
2	42738221000	WOOD BLOCK (KANSAI DENRYOKU/DETACHABLE)	3		

AT-146-3 4301110022 UPPER

Pos No.	Parts No	Parts Name	Qty	Unit	Technical Data	Serial No (Start)	Serial No (End)
2	42835797510	DOOR	1				
3	42835797520	RACK	1				
4	42835487570	PLATE	3				228145
5	42835867530	BRACKET	4				
6	42835797530	SEAT	1				
7	42835797540	PACKING	3				228145
8	42835797550	SEAL	9				
9	42835797560	CUSHION (WITH DOUBLE-STICK TAPE)	2				
10	42831877540	INSULATOR	2				
11	42835797570	WEATHER STRIP	1		L=4410		
12	42835357590	CATCH	2				
14	42835797580	PLUG (HOLE)	4				
15	42833077610	BUSH	6				
16	42834457590	SCREW,MACHINE (SEMS)	2		M4X12		228145
	32830487740	SCREW,MACHINE (SEMS)	2		M4X10	228146	
17	42835837600	SCREW,MACHINE	6		M5X12		
18	80175805012	SCREW,MACHINE	9		M5X12		
19	42835487650	HINGE	3				
20	42836037550	WASHER,TOOTH	4		M10		
21	42836317920	PLATE	3			228146	
100	42835791000	BOX,TOOL	1				

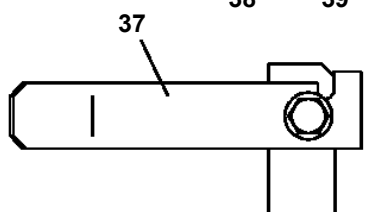
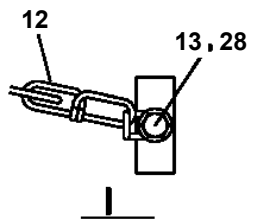
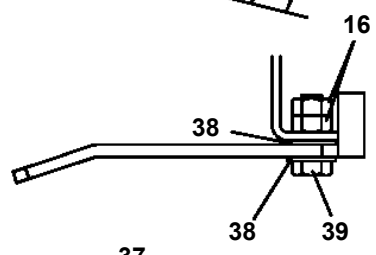
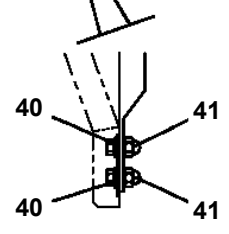
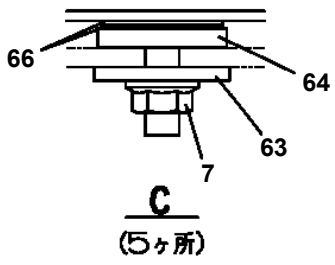
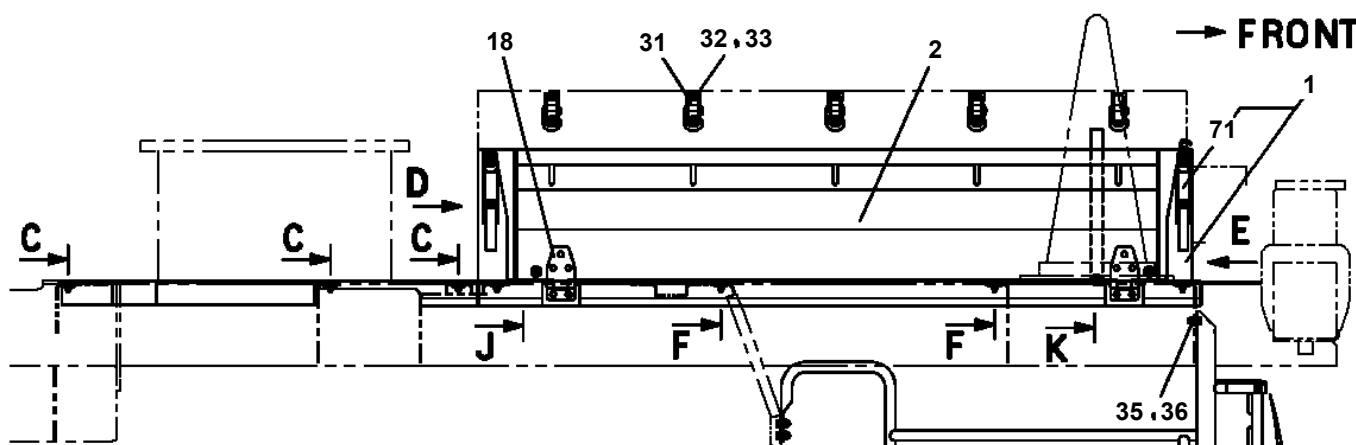
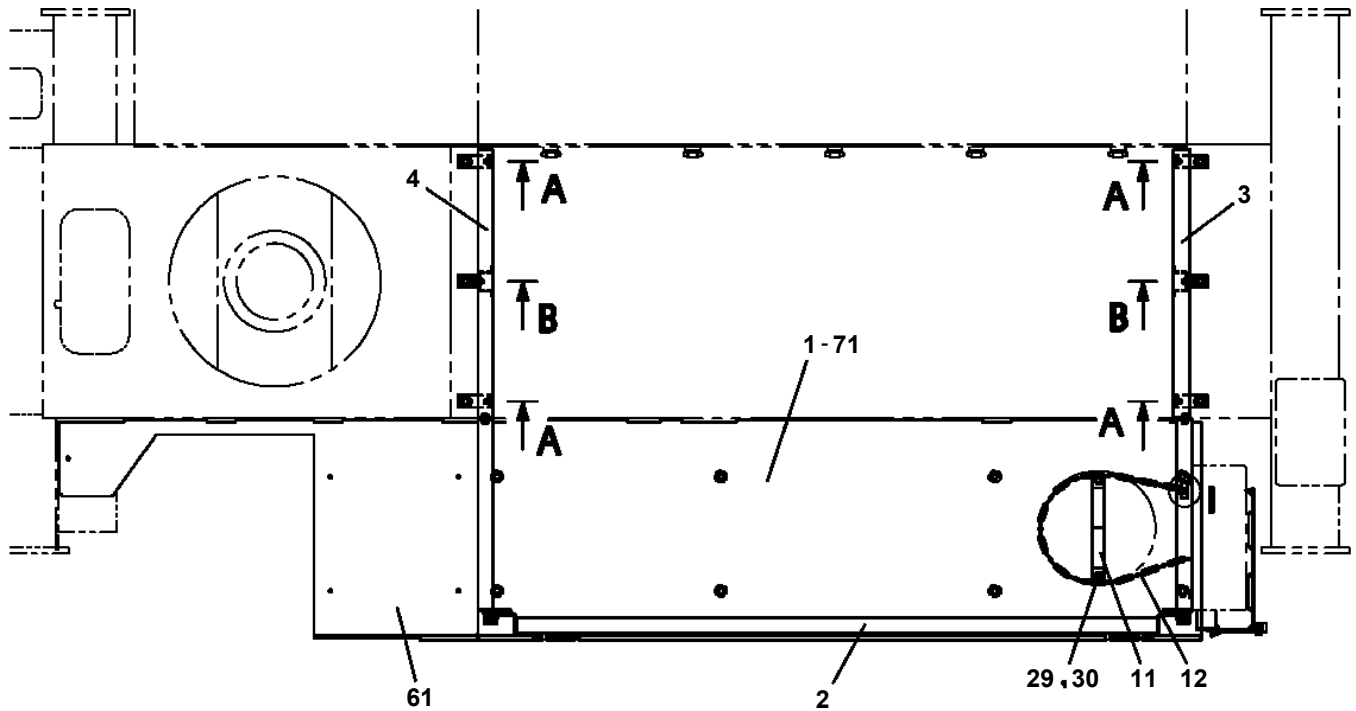
AT-146-3 43011100022 UPPER

Pos No.	Parts No	Parts Name	Qty	Unit	Technical Data	Serial No (Start)	Serial No (End)	Remarks	Pages
1	42834561000	BOX,TOOL	1						00048
2	90101210025	BOLT	2		M10X25				
3	90303071001	WASHER,PLAIN	6		10				
4	42837550100	SUPPORT	1						
5	90302041001	WASHER,SPRING	6		10				
6	90101210020	BOLT	4		M10X20				
8	42500870200	PLATE	2						
9	37000505950	PLATE	4		T=3.2				
10	90101208020	BOLT	2		M8X20				
11	90303070801	WASHER,PLAIN	2		8				
12	90302040801	WASHER,SPRING	2		8				
31	42394781030	PLATE (NON-SLIP)	3						

AT-146-3 4301110022 UPPER

Pos No.	Parts No	Parts Name	Qty	Unit	Technical Data	Serial No (Start)	Serial No (End)	Remarks	Pages
1	42834561000	BOX,TOOL	1						00048
2	90101210025	BOLT	4		M10X25				
3	90303071001	WASHER,PLAIN	4		10				
4	42505841000	DECK	1						
5	90302041001	WASHER,SPRING	4		10				
8	42500870200	PLATE	4						
21	42834132000	STEP	1				228251		
	42834132001	STEP	1			228252	228839		
	42834132002	STEP	1			228840	229159		
	42834132003	STEP	1			229160			
22	90101212022	BOLT	4		M12X22				
23	90302041201	WASHER,SPRING	4		12				
41	42394781030	PLATE (NON-SLIP)	3						

AT-146-3 43011100022 UPPER
 PX1940323-02 MOUNT (RIGHT/F:RACK,R:NONE)

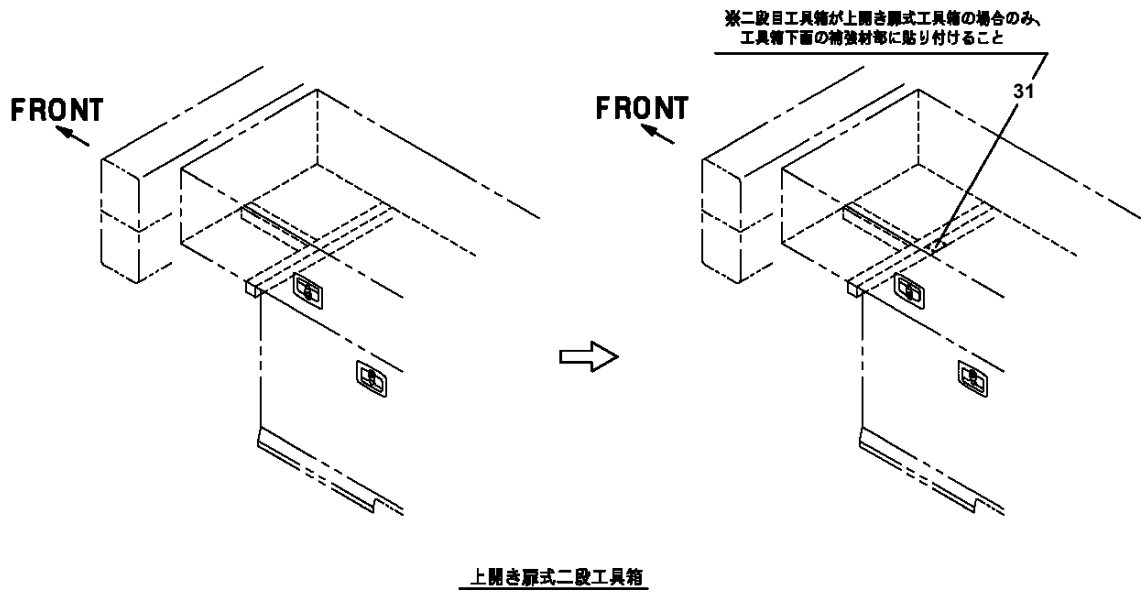


AT-146-3 43011100022 UPPER

PX5010125-00 MOUNT ASSY(ROOF RACK/MOBILE FENCE,HINO,TOYOTA,GAS DAMPER)

指示番号 KEY NO.	マウントASSY (ルーフラック/カトウサク,ヒノ,トヨタ,カスターンパー) MOUNT ASSY (ROOF RACK/MOBILE FENCE,HINO,TOYOTA,GAS DAMPER)
1	マウントASSY,キャブウエテツキ MOUNT ASSY,DECK ON CAB
2	ハイセンASSY ELEC.ASSY
3	マウントASSY,ツールボックス MOUNT ASSY,TOOL BOX
4	ネームプレートASSY NAME PLATE ASSY

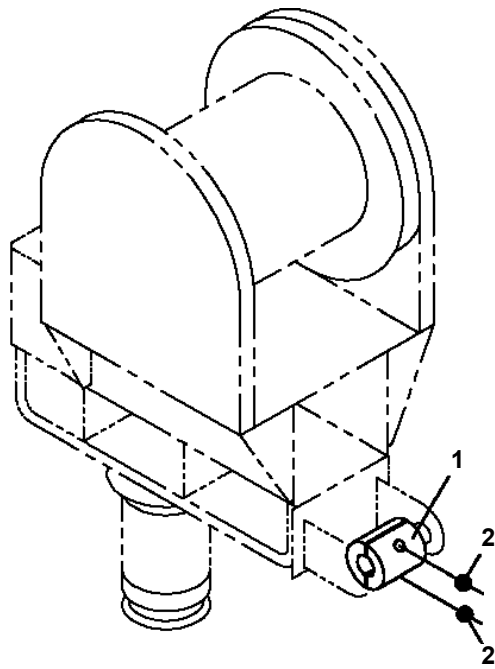
AT-146-3 4301110022 UPPER
PX5060007-02 MOUNT ASSY, BATTERY (UPPER STANDBY POWER)



AT-146-3 4301110022 UPPER

Pos No.	Parts No	Parts Name	Qty	Unit	Technical Data	Serial No (Start)	Serial No (End)	Remarks
1	42422691000	INVERTER (ASSY ONLY)	1				228886	
	42422691001	INVERTER (ASSY ONLY)	1			228887		
2	90101210020	BOLT	4		M10X20			
3	90302041001	WASHER,SPRING	8		10			
4	90303071001	WASHER,PLAIN	8		10			
5	42422723100	SUPPORT	1				229195	
	42422723101	SUPPORT	1			229196		
6	90101210025	BOLT	4		M10X25			
7	90201201000	NUT	4		M10			
8	42422723200	SUPPORT	1				229195	
	42422723201	SUPPORT	1			229196		
10	91810132530	FASTENER	20					
11	90101208020	BOLT	2		M8X20			
12	90302040801	WASHER,SPRING	2		8			
31	42422723400	HARNESS	1					
32	42421345650	SUPPORT	1					
33	82400000219	GROMMET	1					
34	80172305010	SCREW,MACHINE	4		M5X10		229465	
	80172305012	SCREW,MACHINE	4		M5X12	229466		
35	90302040501	WASHER,SPRING	4		5			

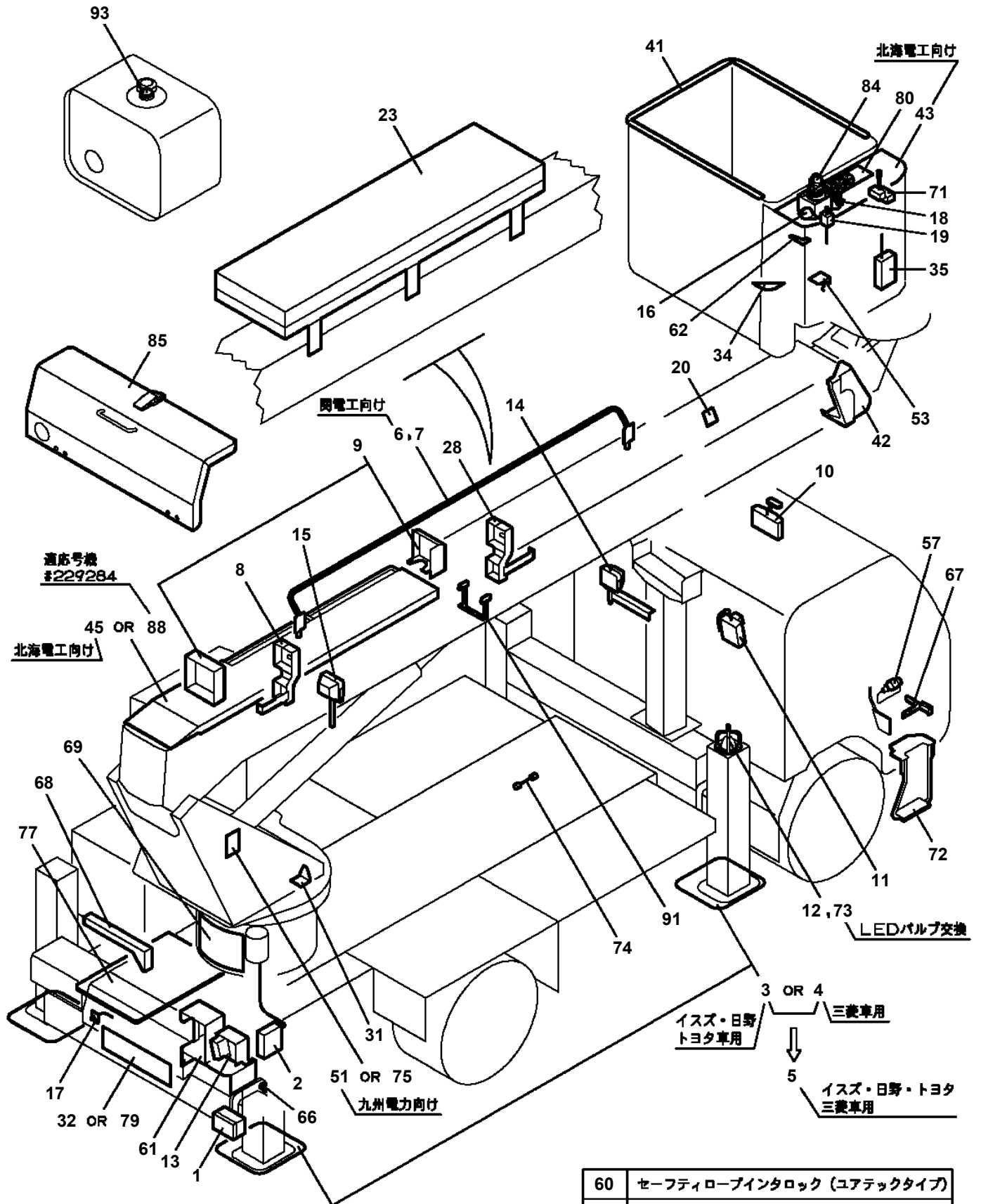
**AT-146-3 43011100022 UPPER
PX5430020-00 MOUNT ASSY, GUARD (WITH JIB STOWING FUNCTION)**



AT-146-3 43011100022 UPPER

Pos No.	Parts No	Parts Name	Qty	Unit	Technical Data	Serial No (Start)	Serial No (End)	Remarks	Pages
1	42838911000	BOX,TOOL	1						00004
2	90101210025	BOLT	4		M10X25				
3	90303071001	WASHER,PLAIN	4		10				
4	90201201000	NUT	2		M10				
5	90302041001	WASHER,SPRING	4		10				
6	37000560120	PLATE	2		T=3.2				
8	42500870200	PLATE	2						
31	42394781030	PLATE (NON-SLIP)	4						

AT-146-3 43011100022 UPPER
PY1010001-18 OPTION UNIT,1



適用製造番号によっては取り付けがないものもあります。

MACHINES OF SOME SERIAL NO. ARE NOT EQUIPPED WITH THESE PARTS.

60	セーフティロープインタロック (ユアテックタイプ)
65	セーフティロープインタロック (関電タイプ)

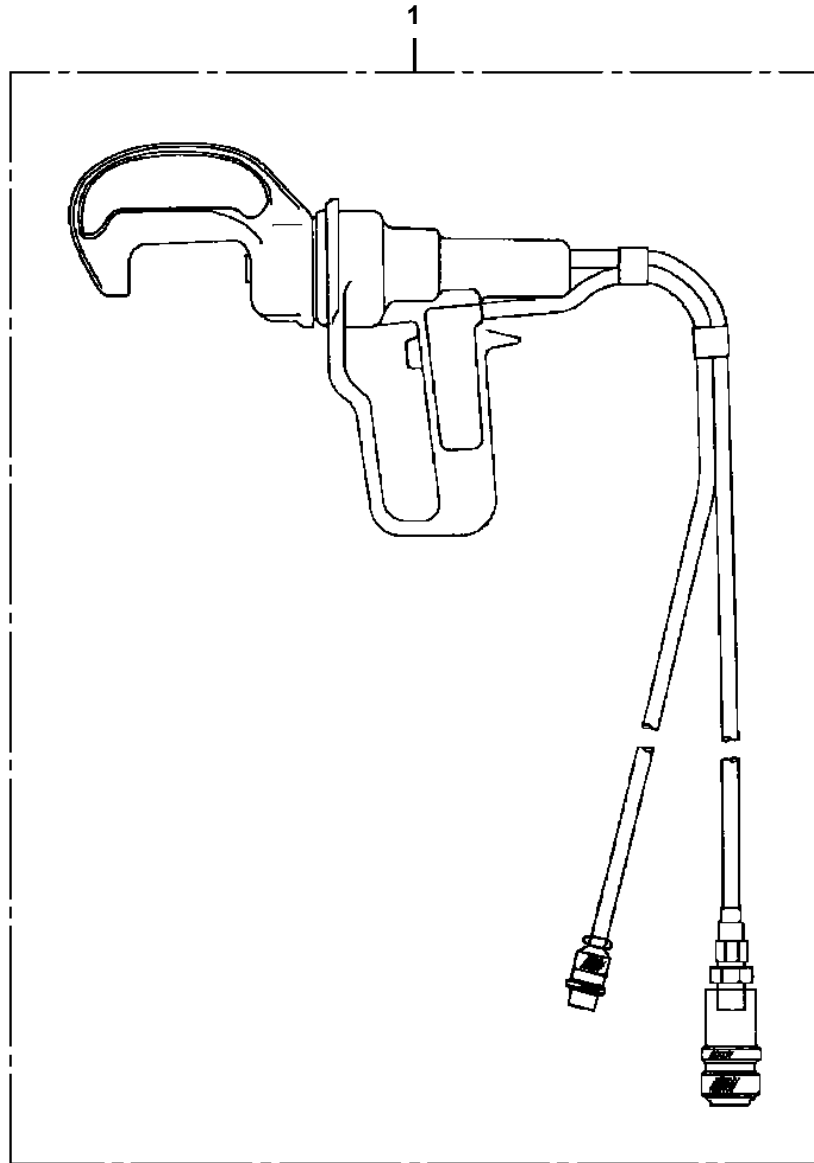
AT-146-3 43011100022 UPPER
PY1020001-10 OPTION UNIT,2

符号	日本語名称	英語名称	備考
58	サポ-トASSY	SUPPORT ASSY	北陸電工向け シ- プ 後端金具一式 (閉閉器支持工法用)
59	ランプ	LAMP	12V60W, シカ- ライター- プ ラク- ツキ
60	マウントASSY (ランプ)	MOUNT ASSY	NTT・TE (四国) 向け ハ- ケット用ランプ サポ- ト
61	ホ- ンプ, グ- リース	PUMP, GREASE	
62	ツールASSY	TOOL ASSY	
63	レンチ, オフセット	WRENCH, OFFSET	10X13
64	ウエツジ	WEDGE	黄色歯止め
65	ブ- ロック, ウツト	BLOCK, WOOD	木製壁木
66	ブ- ロック, ウツト	BLOCK, WOOD	関西電力向け 木製壁木 t150
68	ウツト- ブ- ロック	WOOD BLOCK	関西電力向け 扇着式木製壁木
69	ア-スASSY	EARTH ASSY	ア-ス棒、ケーブ- ル付
70	ケーブ- ルASSY	CABLE ASSY	北海道電力向け 充電用10mケーブ- ル
71	シ- プ ASSY	JIB ASSY	一体型先端FRPサポ- ト (色: グ- レー) アイチ対応絶縁シ- プ (色: グ- レー)
72	ホ- ツクス	BOX	タ- ンハ- ト製造工具箱
73	ステップ ASSY (キャブ- 昇降用)	STEP ASSY	いすゞKR用ステップ
74	ランプ ASSY	LAMP ASSY	北陸電工向け 回転灯、保護カバー付
75	ア-スASSY	EARTH ASSY	移動式ア-スリール
76	カバー ASSY	COVER ASSY	きんでん向け アプリ布カバー
87	カバー ASSY	COVER ASSY	AT-146-3 札幌電工用 ハ- ケット操作部カバー- 対応布カバー
89	ア-ムASSY	ARM ASSY	AT-145-2用荷込みFRPシ- プ用 碇子付ホルタ-, ホツトステイツク付
92	ハ- ツテリASSY	BATTERY ASSY	上部ハ- ツテリ Panasonic
95	ケーブ- ルASSY	CABLE ASSY	ハ- プ 日立工業製インハ- タユニット プ- ログ- ラム管換用PC接続ケーブ- ル
96	アクセサリ	ACCESSORIES	ハ- ケットインナー中敷
97	ウエツジ	WEDGE	歯止め (黒色)
98	ブ- ロック, ラバ-	BLOCK, RUBBER	コ- ム製壁木 シ- ヤステイン (K355X t50)
99	ア-ムASSY	ARM ASSY	丸電工用 アイチ製板支持用板ア-ム&四面ローラ
101	ベ- ルト	BELT	キャブ- 乗込み用ベ- ルト (FLJ対応)
102	サポ- ト	SUPPORT	7度角度計 (島商事) 取付サポ- ト (日野・いすゞ車用) 積込み部品
103	シ- プ ASSY	JIB ASSY	北陸電力 配電ロボット I型サブア-ム用FRPジブ

適用製造番号によっては取り付けがないものもあります。

MACHINES OF SOME SERIAL NO. ARE NOT EQUIPPED WITH THESE PARTS.

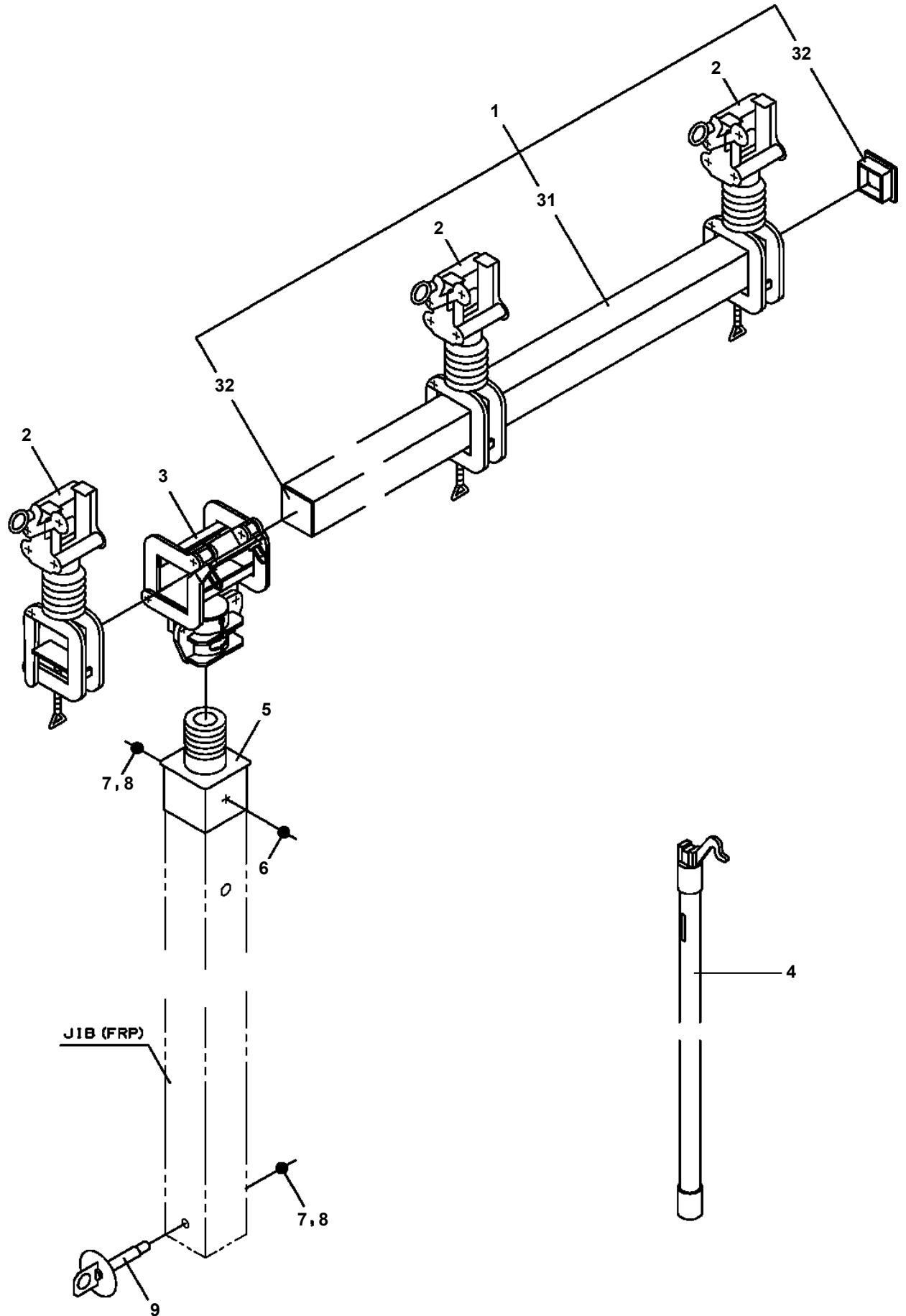
**AT-146-3 43011100022 UPPER
PY1050008-01 CLAMP HEAD (IZUMI 8TON 3.5M ELECTRIC)**



AT-146-3 43011100022 UPPER

Pos No.	Parts No	Parts Name	Qty	Unit	Technical Data	Serial No (Start)
1	42473190000	CUTTER HEAD (IZUMI 6.4TON 2.5M ELECTRICSANWA)	1			

AT-146-3 43011100022 UPPER
PY1080032-00 ARM



AT-146-3 43011100022 UPPER

Pos No.	Parts No	Parts Name	Qty	Unit	Technical Data	Serial No (Start)	Serial No (End)	Remarks
1	90131508035	BOLT,HEXAGON SOCKET	4		M8X35			
	90131508035	BOLT,HEXAGON SOCKET	4		M8X35			
2	36053842000	BOOSTER (JOINT)	1					
	36053842000	BOOSTER (JOINT)	1					
3	36053841001	BOOSTER	1					
	36053841001	BOOSTER	1					

AT-146-3 4301110022 UPPER

Pos No.	Parts No	Parts Name	Qty	Unit	Technical Data	Serial No (Start)	Serial No (End)
1	42505341010	CASE (LOWER)	1				
	42505341010	CASE (LOWER)	1				
2	42736602030	CASE (UPPER)	1				
	42736602030	CASE (UPPER)	1				
3	90131506008	BOLT,HEXAGON SOCKET	12		M6X8		
	90131506008	BOLT,HEXAGON SOCKET	12		M6X8		
4	90303070601	WASHER,PLAIN	12		6		
	90303070601	WASHER,PLAIN	12		6		
5	90101208016	BOLT	4		M8X16		
	90101208016	BOLT	4		M8X16		
6	90302040801	WASHER,SPRING	4		8		
	90302040801	WASHER,SPRING	4		8		
8	80456240600	JOINT,SELF SEALING (WITH DUST CAP)	1				
	80456240600	JOINT,SELF SEALING (WITH DUST CAP)	1				
9	80306030040	JOINT,NIPPLE	1		3/8		
	80306030040	JOINT,NIPPLE	1		3/8		
10	42470400100	JOINT,SELF SEALING (WITH CAP)	1				
	42470400100	JOINT,SELF SEALING (WITH CAP)	1				
11	42643594510	HOSE,VINYL	1		4X6X150		
	42643594510	HOSE,VINYL	1		4X6X150		
12	42473440020	JOINT	1				
	42473440020	JOINT	1				
13	42643594520	SUPPORT	1				
	42643594520	SUPPORT	1				
14	90131506012	BOLT,HEXAGON SOCKET	4		M6X12		
	90131506012	BOLT,HEXAGON SOCKET	4		M6X12		
15	90302040601	WASHER,SPRING	4		6		
	90302040601	WASHER,SPRING	4		6		
16	42732451530	PLUG SOCKET (METAL)	1				
	42732451530	PLUG SOCKET (METAL)	1				
17	82100001655	CAP	1				
	82100001655	CAP	1				
18	42732451540	SWITCH ASSY	1				
	42732451540	SWITCH ASSY	1				
20	42505341020	FUSE ASSY	1				
	42505341020	FUSE ASSY	1				
21	82100001409	CONNECTOR (SEAL)	1				
	82100001409	CONNECTOR (SEAL)	1				
22	42505341030	CORD ASSY	1				
	42505341030	CORD ASSY	1				
23	80172403006	SCREW,MACHINE	3		M3X6		
	80172403006	SCREW,MACHINE	3		M3X6		
24	80171203006	SCREW,MACHINE	1				
	80171203006	SCREW,MACHINE	1				
25	42643594530	SUPPORT	1				
	42643594530	SUPPORT	1				
26	42643594540	RELAY ASSY	1				
	42643594540	RELAY ASSY	1				
27	42643594550	SHAFT	1				
	42643594550	SHAFT	1				
28	42643594560	HOSE,VINYL	1		6X8X700		
	42643594560	HOSE,VINYL	1		6X8X700		
29	42643594570	HOSE,VINYL	1		4X6X20		
	42643594570	HOSE,VINYL	1		4X6X20		
30	42643594580	FASTENER	4				
	42643594580	FASTENER	4				
31	42736602010	JOINT	2				
	42736602010	JOINT	2				
32	42647202030	CORD ASSY	3				
	42647202030	CORD ASSY	3				
33	42647202040	CORD ASSY	1				
	42647202040	CORD ASSY	1				
34	82100002596	RELAY	2				

CLICK HERE TO **DOWNLOAD** THE COMPLETE MANUAL

- Thank you very much for reading the preview of the manual.
- You can download the complete manual from: www.heydownloads.com by clicking the link below



- Please note: If there is no response to CLICKING the link, please download this PDF first and then click on it.

CLICK HERE TO **DOWNLOAD** THE COMPLETE MANUAL