

AT-146-1 42095120600 LOWER,MITSUBUSHI KK-FE53EBX6K2

PO1000127-01 INDICATION PLATES

PW1000109-01 ACCESSORIES & TOOLS

PX2000094-00 CARRIER UNIT

PX3000099-00 MOUNTING UNIT

PY1000676-01 OPTIONS,1

PY2000036-00 OPTIONS,2

ASSEMBLY

CLICK HERE TO **DOWNLOAD** THE COMPLETE MANUAL

- Thank you very much for reading the preview of the manual.
- You can download the complete manual from: www.heydownloads.com by clicking the link below



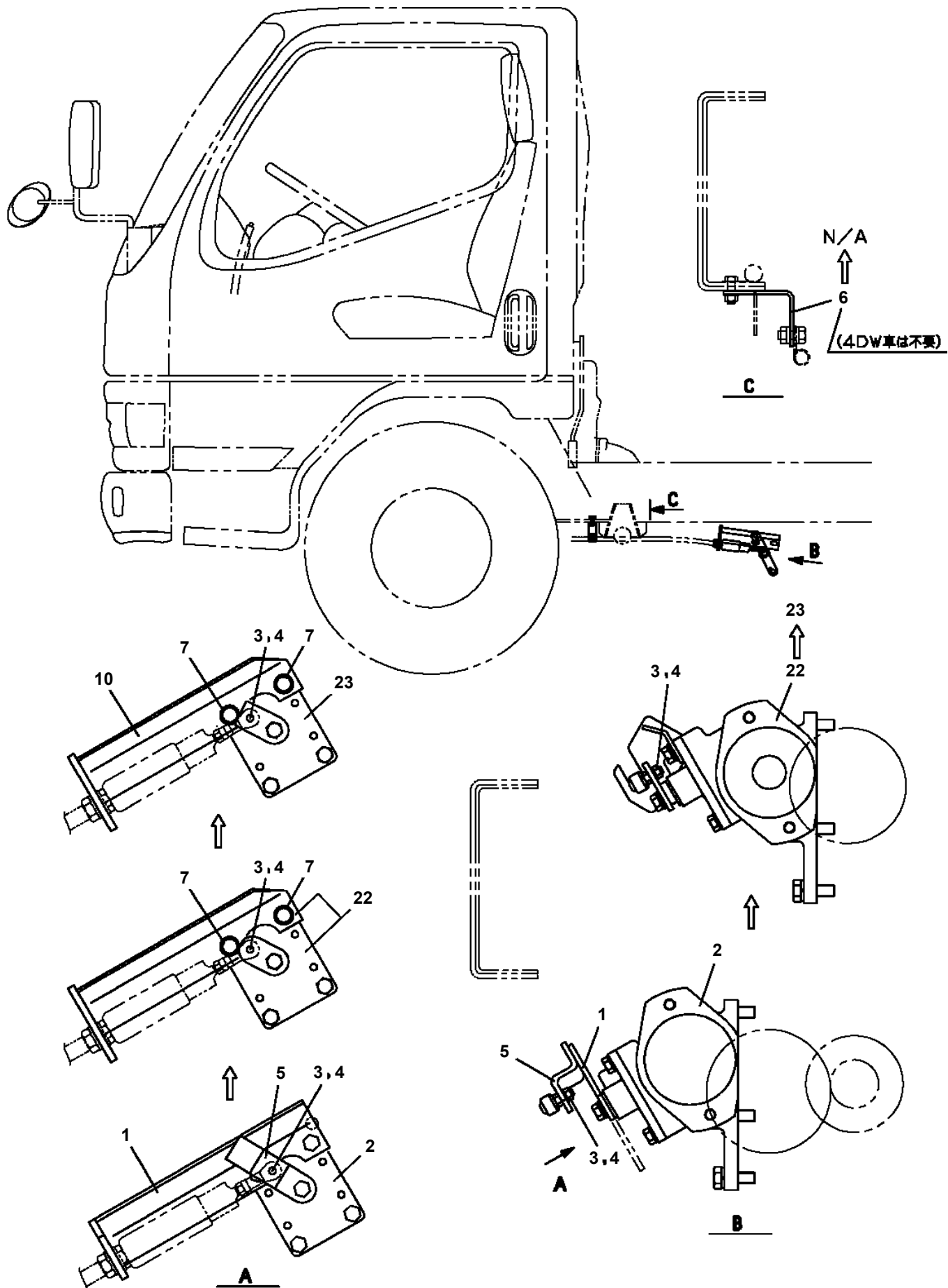
- Please note: If there is no response to CLICKING the link, please download this PDF first and then click on it.

CLICK HERE TO **DOWNLOAD** THE COMPLETE MANUAL

AT-146-1 42095120600 LOWER,MITSUBUSHI KK-FE53EBX6K2

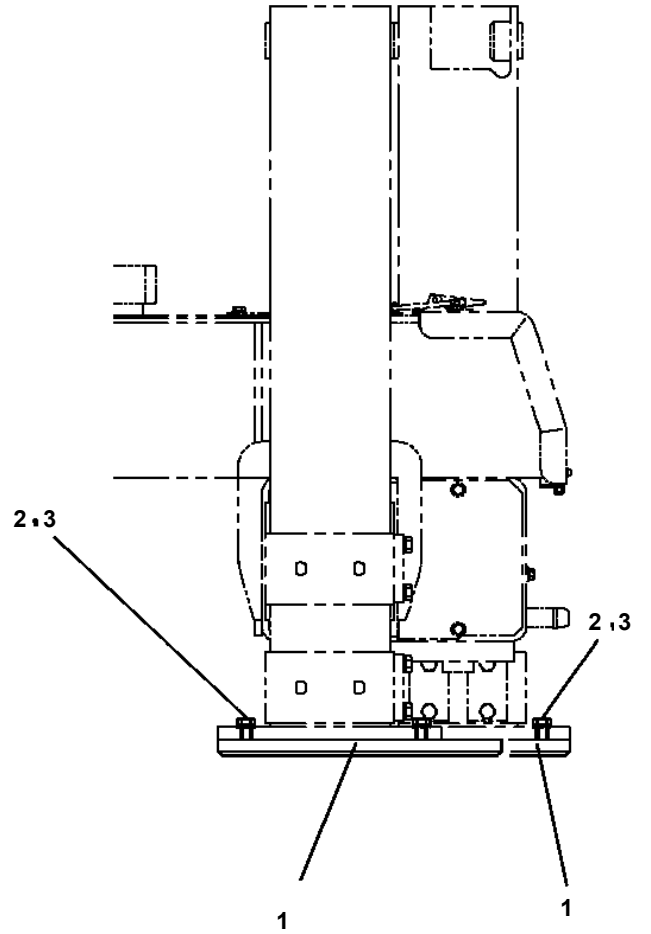
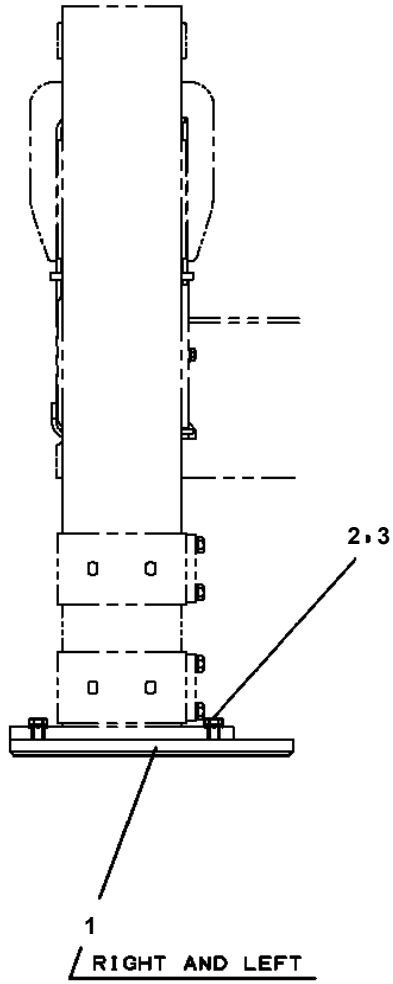
Pos No.	Parts No	Parts Name	Qty	Unit	Technical Data	Serial No (Start)	Ser
1	(*****)	LAMP (O/R CONTROL PANEL)	1				
2	(*****)	LAMP (LEVEL)	1				
3	(*****)	LAMP	1				
4	(*****)	BOX,TOOL (MOUNT,BOOM LEFT SIDE)	1				
5	(*****)	BOOSTER (LOWER,HYDRAULIC OUTLET)	1				
	(*****)	BOOSTER (B:LOWER HYDRAULIC OUTLET)	1				
6	(*****)	BOOSTER (B:LOWER,HYDRAULIC OUTLET)	1				
	(*****)	BOOSTER (LOWER HYDRAULIC OUTLET)	1				
13	(*****)	POWER SUPPLY (LOWER HYDRAULIC OUTLET)	1				
14	(*****)	LAMP (WORKING:BOOM REST LEFT)	1				
15	(*****)	OUTRIGGER	1				
16	(*****)	POWER SOURCE	1				
17	(*****)	LAMP (BOOM,WORKING)	1				
18	(*****)	LAMP (BOOM,WORKING)	1				
19	(*****)	REFLECTOR	1				
21	(*****)	VIEW SYSTEM (COLOR MONITOR,ICHIKOH)	1				
	(*****)	VIEW SYSTEM (B & W MONITOR/ICHIKOH,MITSU	1				
	(*****)	VIEW SYSTEM (COLOR MONITOR,ICHIKOH)	1				
	(*****)	VIEW SYSTEM (COLOR MONITOR,CLARION)	1				
	(*****)	VIEW SYSTEM (YONDEN/COLOR MONITOR)	1				
	(*****)	VIEW SYSTEM (COLOR MONITOR,ICHIKOH)	1				
	(*****)	VIEW SYSTEM (MONITOR/CLARION,MITSUBISHI)	1				
	(*****)	VIEW SYSTEM (COLOR MONITOR, CLARION/ISUZU)	1				
	(*****)	VIEW SYSTEM (B&W/MONITOR,ICHIKOH)	1				

AT-146-1 42095120600 LOWER, MITSUBISHI KK-FE53EBX6K2
PB1050119-06 OPE.ASSY, P.T.O.



AT-146-1 42095120600 LOWER, MITSUBUSHI KK-FE53EBX6K2
PC1011012-00 OUTRIGGER

FRONT ←

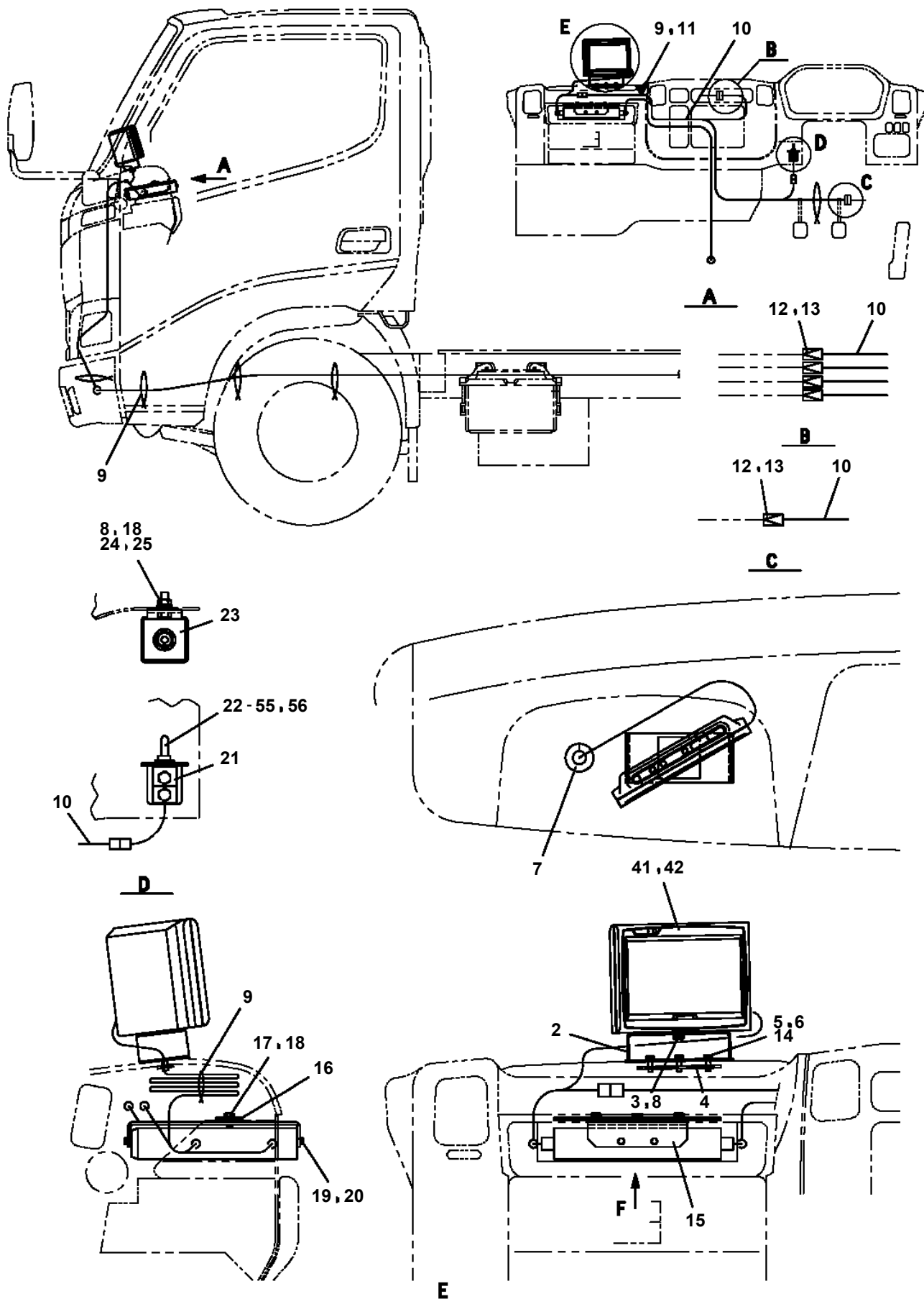


OUTRIGGER

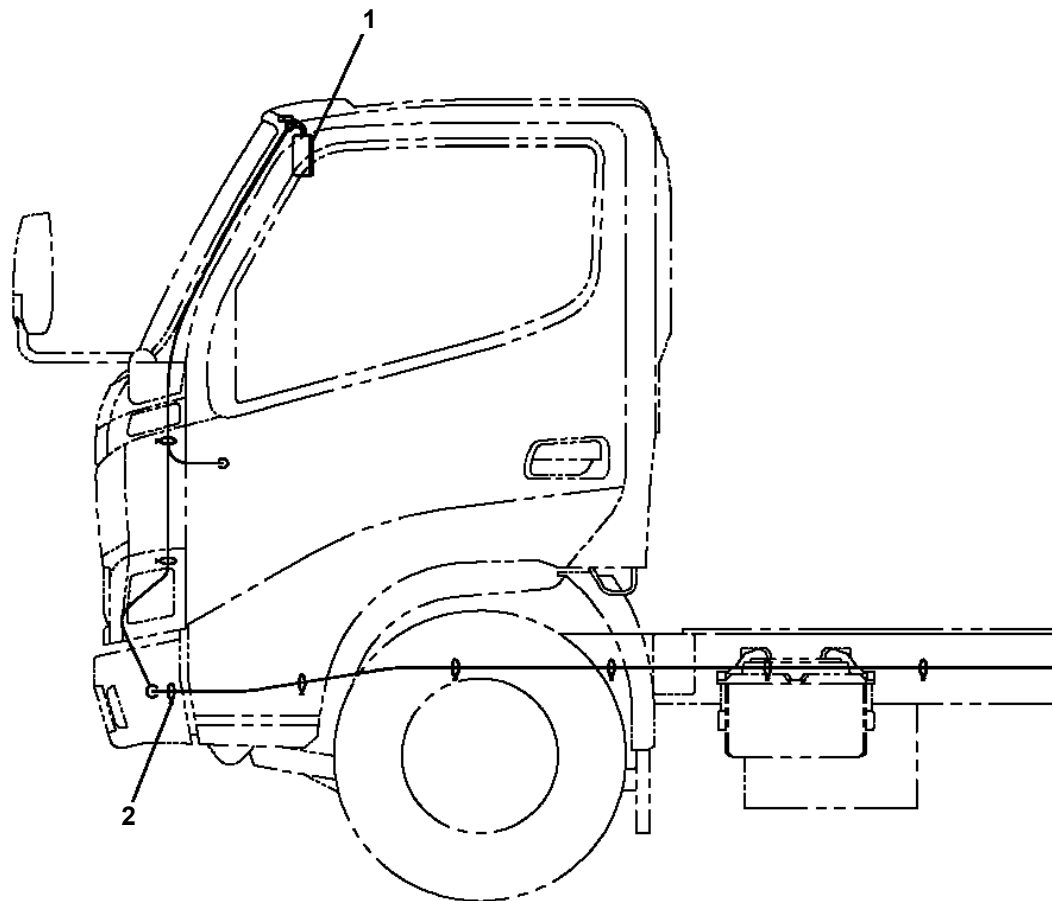
AT-146-1 42095120600 LOWER, MITSUBUSHI KK-FE53EBX6K2

Pos No.	Parts No	Parts Name	Qty	Unit	Technical Data	Serial No (Start)	Serial No (End)	Remarks	Pages
1	42738361100	HARNESS	1						000042
2	42738361200	HARNESS	1						000043
3	42960062650	SUPPORT	1						
4	91810130240	FASTENER	20						
5	42738361010	SHIM	3		T=1.0	227532			
6	90101205020	BOLT	4		M5X20	227532			
7	90303070501	WASHER, PLAIN	4		5	227532			
8	90302040501	WASHER, SPRING	4		5	227532			
9	90201200500	NUT	4		M5	227532			

**AT-146-1 42095120600 LOWER, MITSUBISHI KK-FE53EBX6K2
PH1700150-00 VIEW SYSTEM (MONITOR: CLARION/TOYOTA)**



**AT-146-1 42095120600 LOWER, MITSUBISHI KK-FE53EBX6K2
PH1700166-00 VIEW SYSTEM (COLOR MONITOR: ICHIKOH/HINO)**



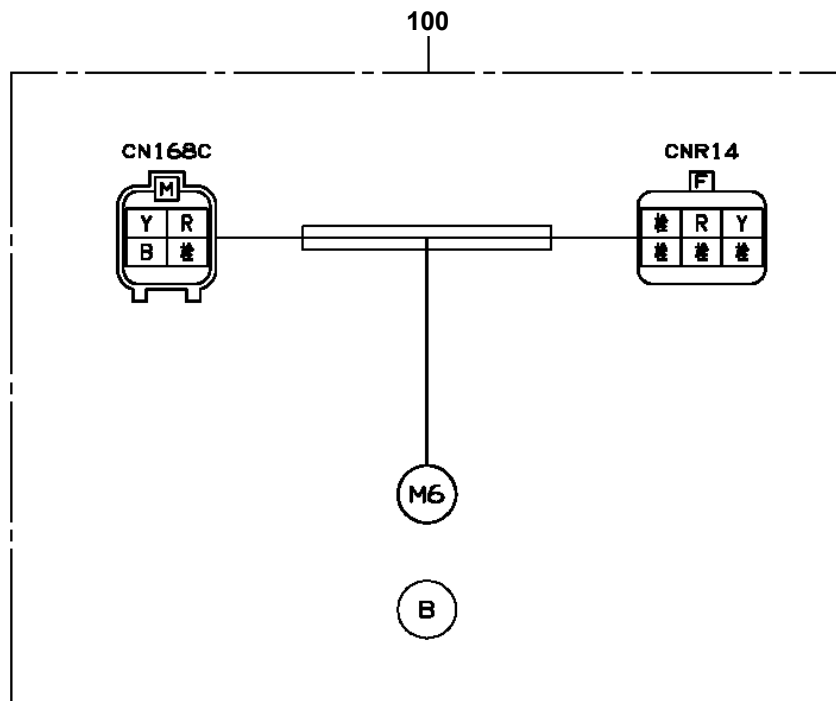
**AT-146-1 42095120600 LOWER,MITSUBUSHI KK-FE53EBX6K2
PH1700179-01 VIEW SYSTEM (COLOR MONITOR,ICHIKOH)**

指示番号 KEY NO.	ビユー システム (カラーモニタ,イチコウセイ ST-800/イスズ) VIEW SYSTEM (COLOR MONITOR, ICHIKOH ST-800)
1	ビユー システム (モニタ) VIEW SYSTEM (MONITOR)
2	ビユー システム (カメラ) VIEW SYSTEM (CAMERA)

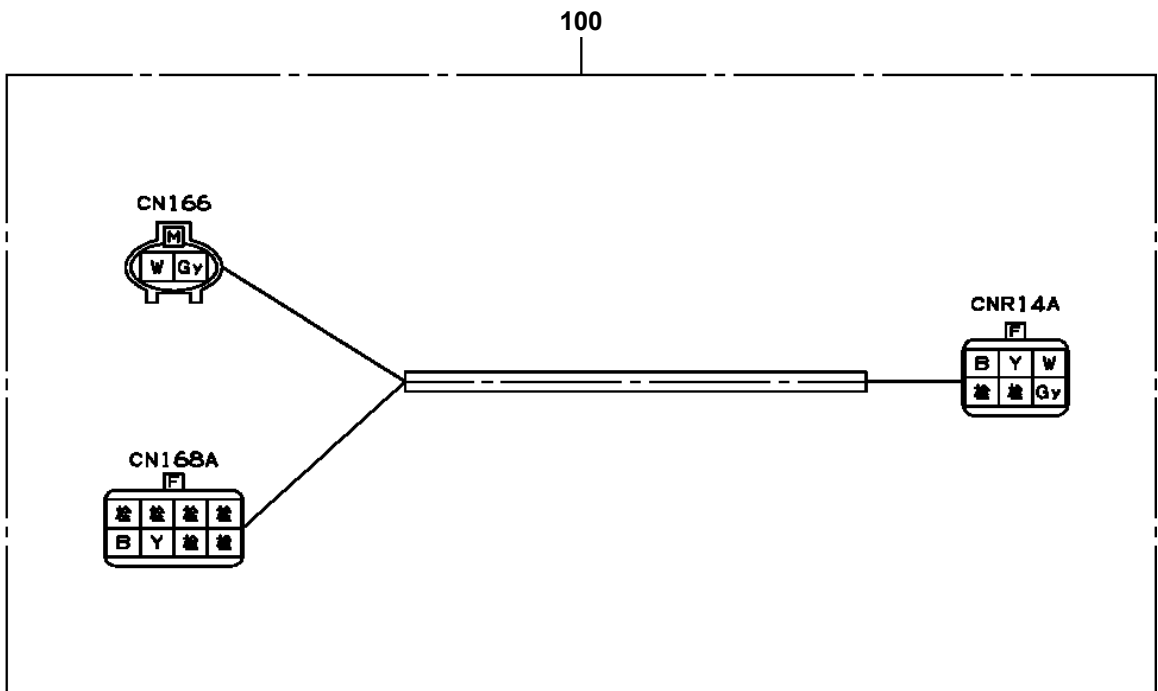
**AT-146-1 42095120600 LOWER,MITSUBUSHI KK-FE53EBX6K2
PH1700200-00 VIEW SYSTEM (MONITOR/CLARION,MITSUBISHI)**

1	ビユー システム (カラーモニター:クラリオン, ミツビシ) VIEW SYSTEM (COLOR MONITOR:CLARION,MITHUBISHI)
2	ビユー システム (カメラ) VIEW SYSTEM (CAMERA)

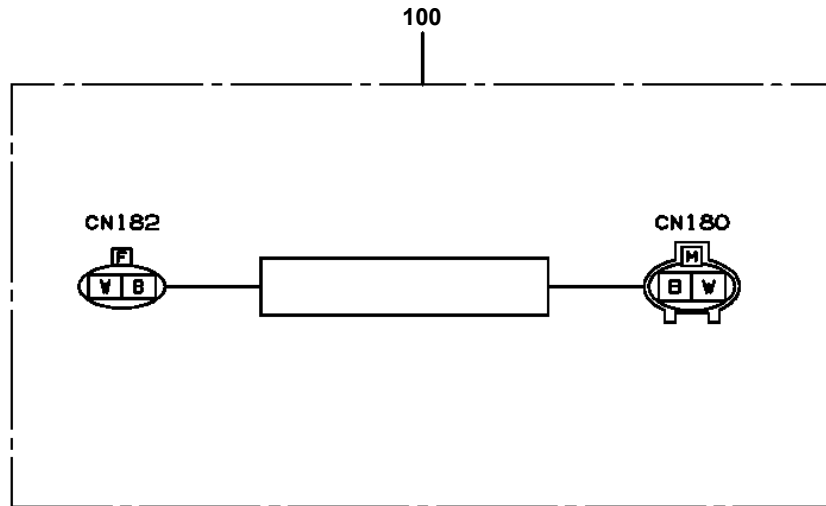
AT-146-1 42095120600 LOWER, MITSUBISHI KK-FE53EBX6K2
PH5031067-00 HARNESS



AT-146-1 42095120600 LOWER,MITSUBUSHI KK-FE53EBX6K2
PH5031824-00 HARNESS



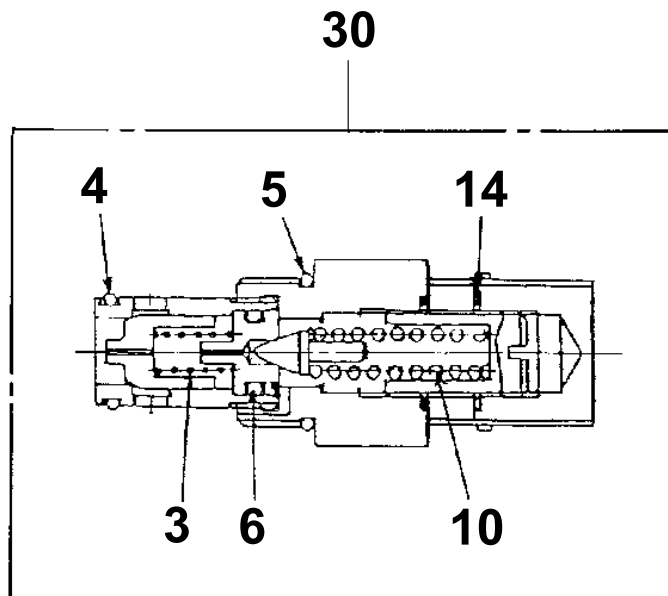
**AT-146-1 42095120600 LOWER,MITSUBUSHI KK-FE53EBX6K2
PH5034356-00 HARNESS**



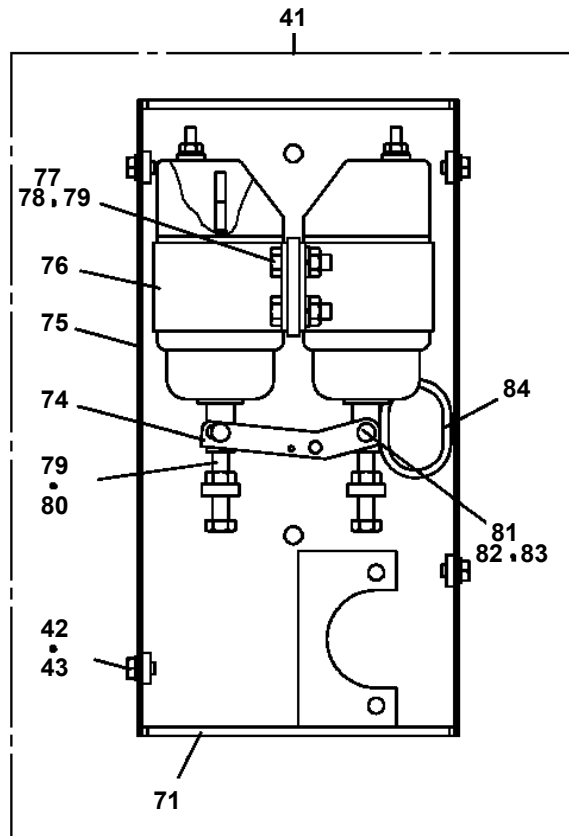
AT-146-1 42095120600 LOWER, MITSUBISHI KK-FE53EBX6K2

PI1100061-00 VALVE, RELIEF

Assembly Name VALVE, RELIEF



AT-146-1 42095120600 LOWER, MITSUBISHI KK-FE53EBX6K2
PL1030802-05 OPE. ASSY, ACCELERATOR



CLICK HERE TO **DOWNLOAD** THE COMPLETE MANUAL

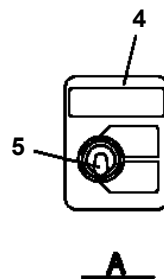
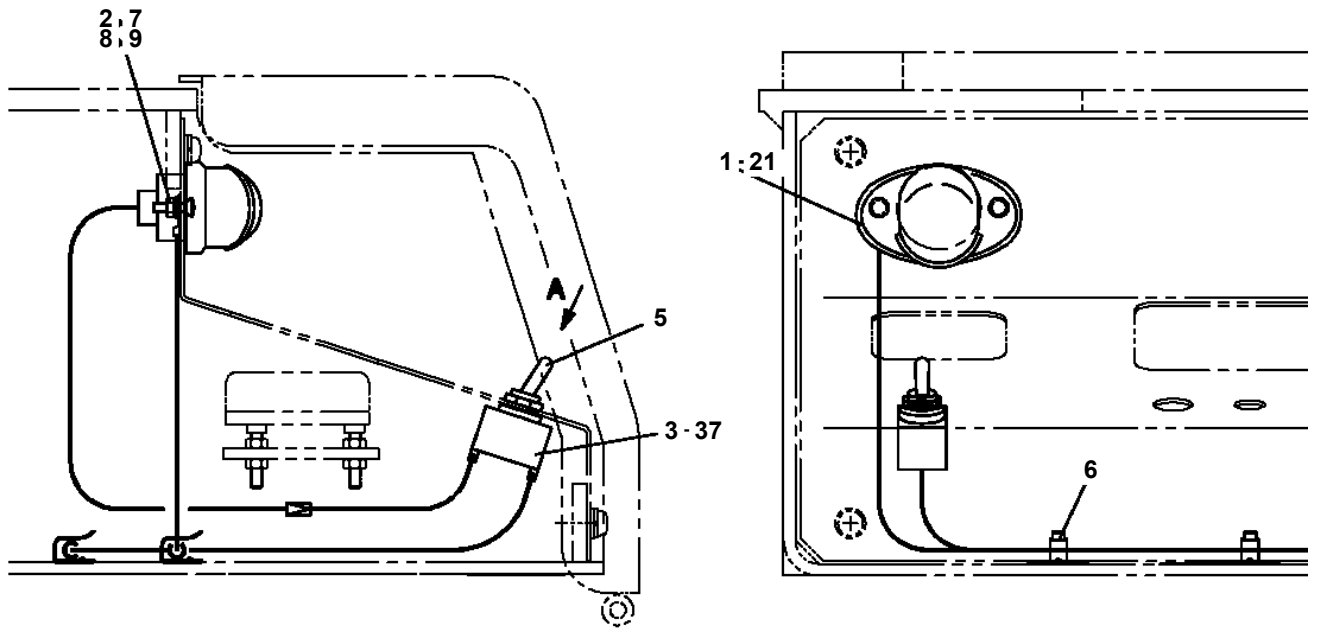
- Thank you very much for reading the preview of the manual.
- You can download the complete manual from: www.heydownloads.com by clicking the link below



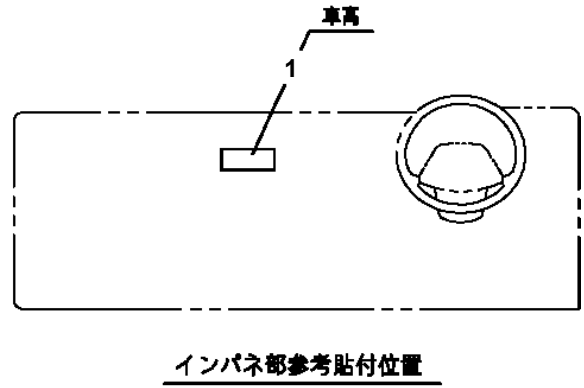
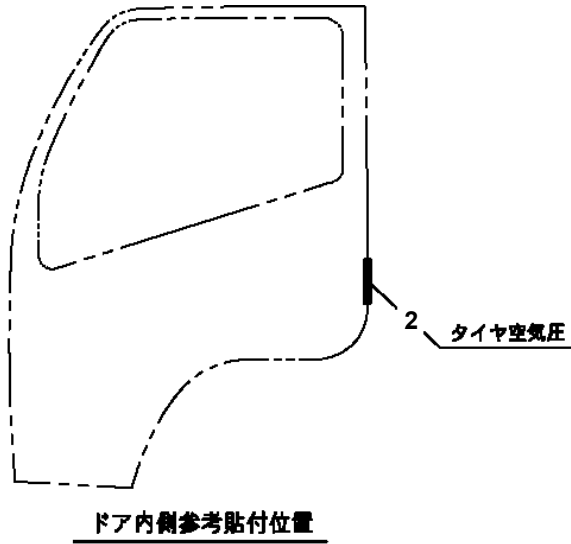
- Please note: If there is no response to CLICKING the link, please download this PDF first and then click on it.

CLICK HERE TO **DOWNLOAD** THE COMPLETE MANUAL

AT-146-1 42095120600 LOWER, MITSUBUSHI KK-FE53EBX6K2
PN1080111-00 LAMP (LEVEL)



AT-146-1 42095120600 LOWER,MITSUBUSHI KK-FE53EBX6K2
 PO1011544-04 PLATE ASSY,NAME (VEHICLE HEIGHT 3.35M)



2

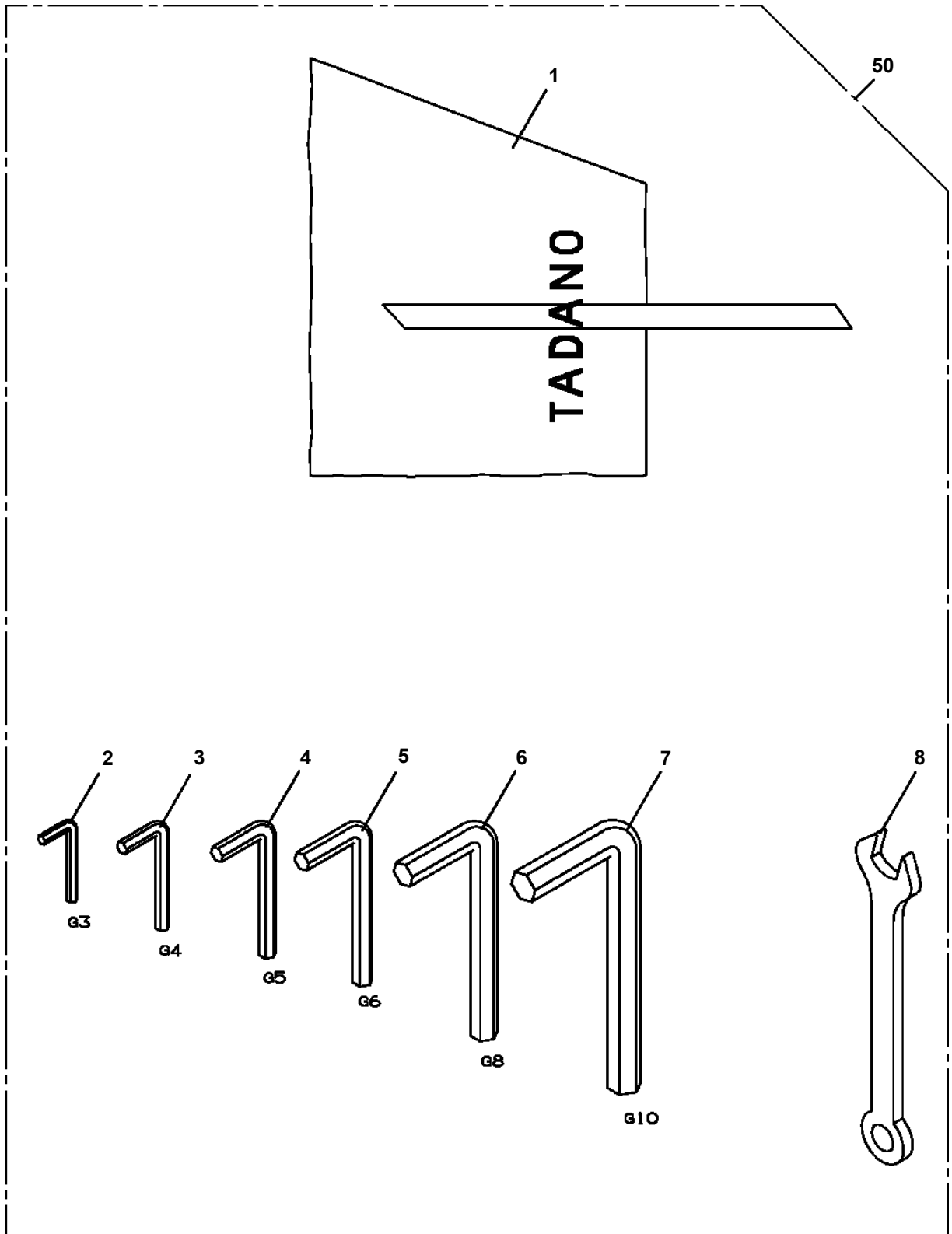
タイヤ空気圧 kPa (kgf/cm ²)		
タイヤサイズ	前輪	後輪
195/85R16 114/112L	600 (6.00)	600 (6.00)
205/80R17.5 120/118L	600 (6.00)	600 (6.00)
205/85R16 117/115L	600 (6.00)	600 (6.00)
215/70R17.5 123/121J	775 (7.75)	775 (7.75)
215/85R16 120/118L	600 (6.00)	600 (6.00)
225/75R16 118/116L	600 (6.00)	600 (6.00)
225/85R16 121/119L	600 (6.00)	600 (6.00)
225/80R17.5 123/122L (14PRL)	700 (7.00)	700 (7.00)
7.00-16-12PRL	575 (5.75)	575 (5.75)
7.50-16-10PRL	525 (5.25)	525 (5.25)
7.50-16-12PRL	600 (6.00)	600 (6.00)
7.50-16-14PRL	650 (6.50)	650 (6.50)
7.50R16-12PRL	650 (6.50)	650 (6.50)
7.50R16-14PRL	700 (7.00)	700 (7.00)

○ 上記の空気圧を遵守してください。
 370-022-24480

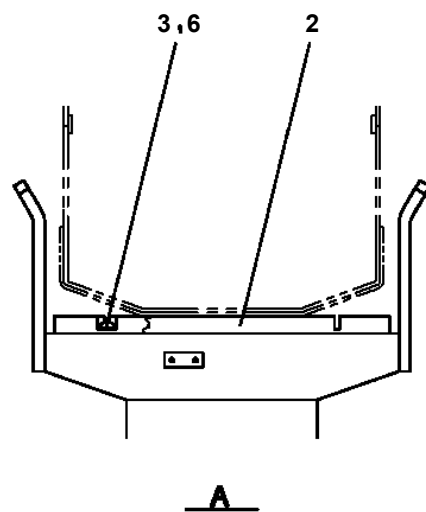
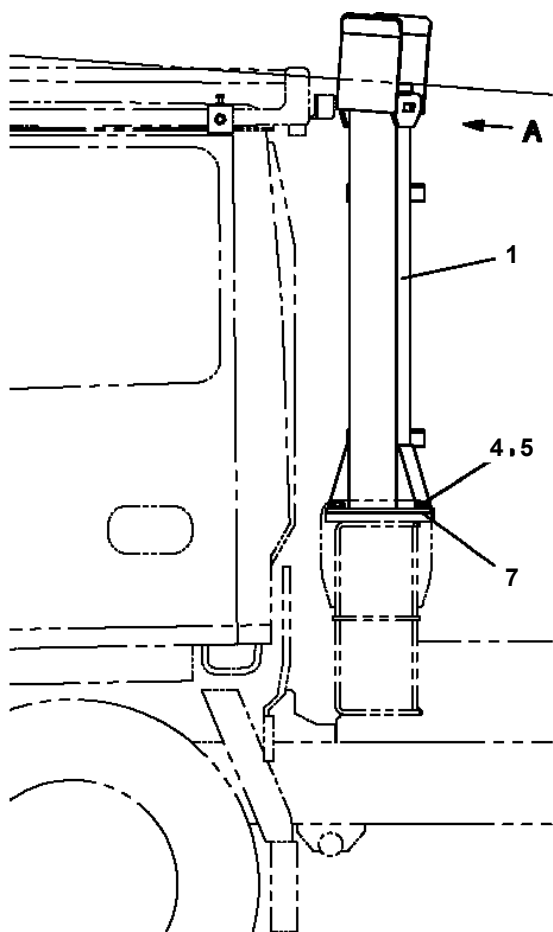
1

車高 3.35 m

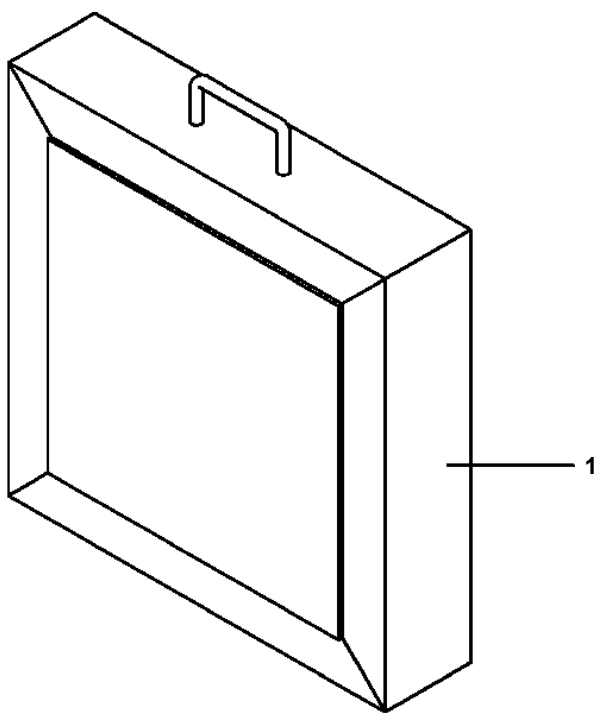
AT-146-1 42095120600 LOWER, MITSUBISHI KK-FE53EBX6K2
PW1030047-01 TOOLS



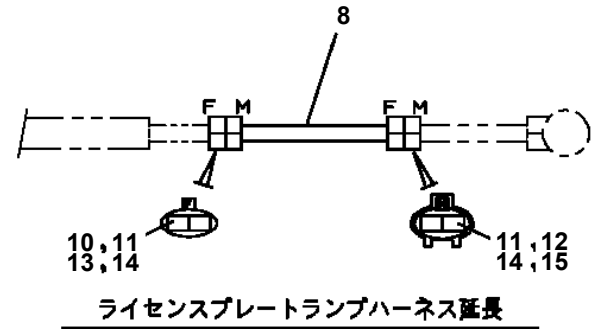
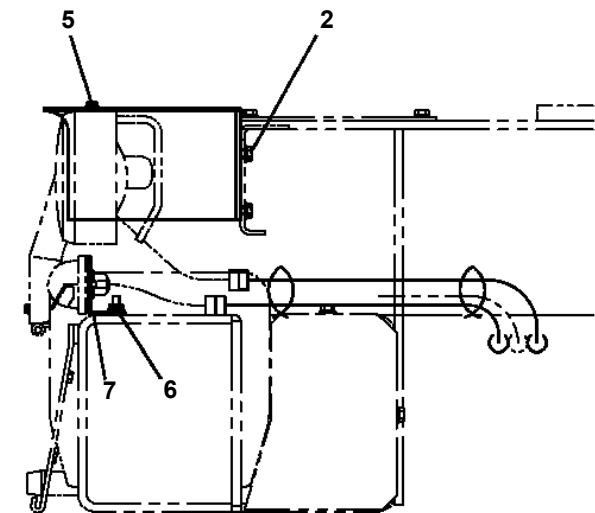
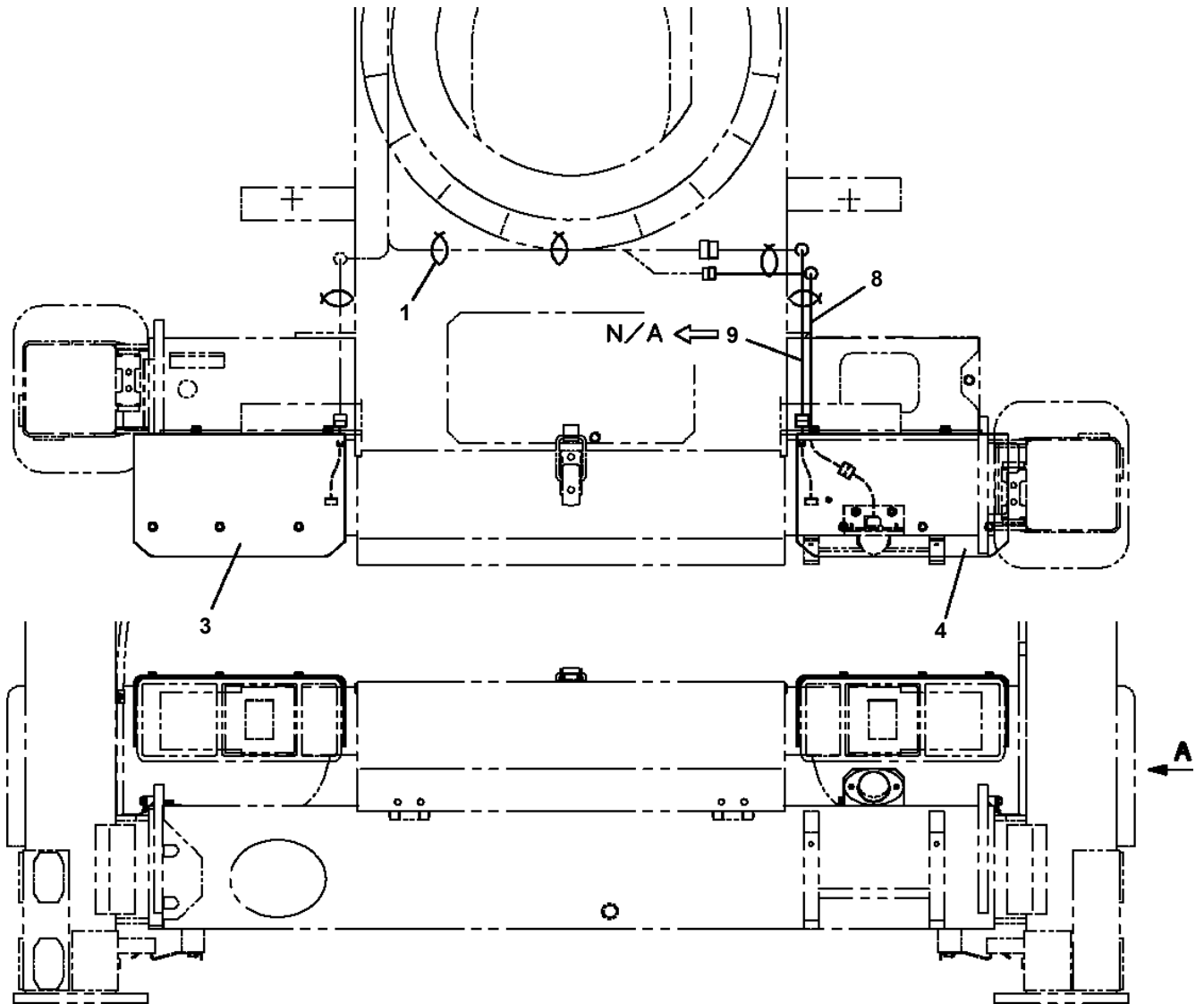
AT-146-1 42095120600 LOWER, MITSUBUSHI KK-FE53EBX6K2
PX1120400-00 BOOM REST



AT-146-1 42095120600 LOWER,MITSUBUSHI KK-FE53EBX6K2
PX1270086-01 WOOD BLOCK (W=350,H=80)

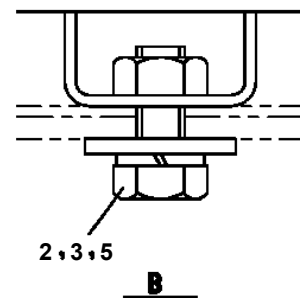
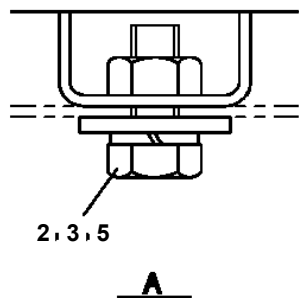
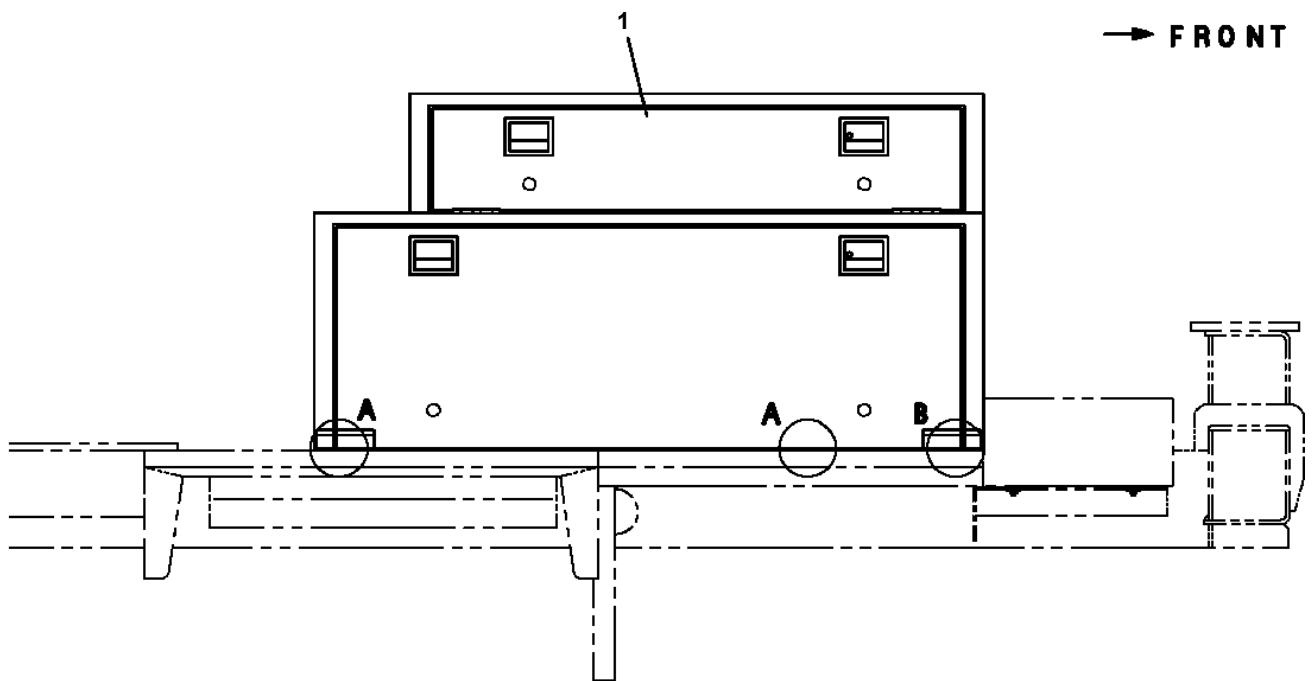
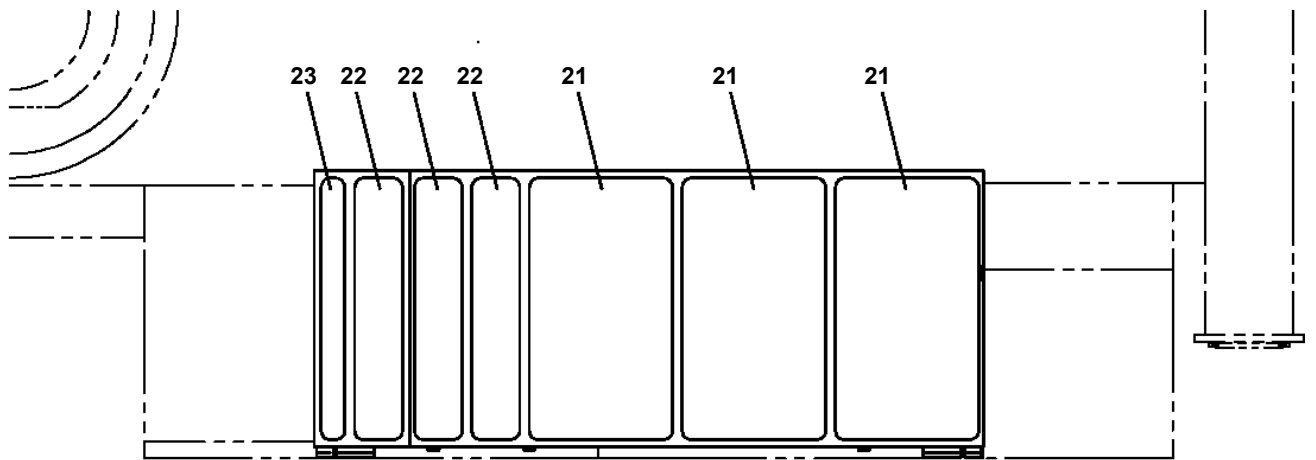


AT-146-1 42095120600 LOWER, MITSUBISHI KK-FE53EBX6K2
 PX1310100-04 MOUNT, LAMP (TAIL)

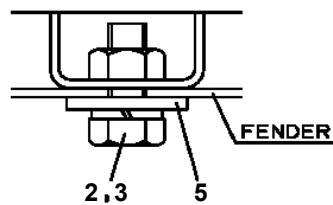
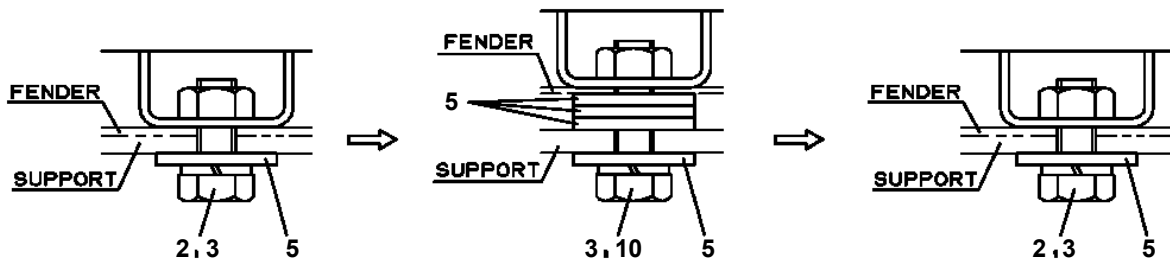
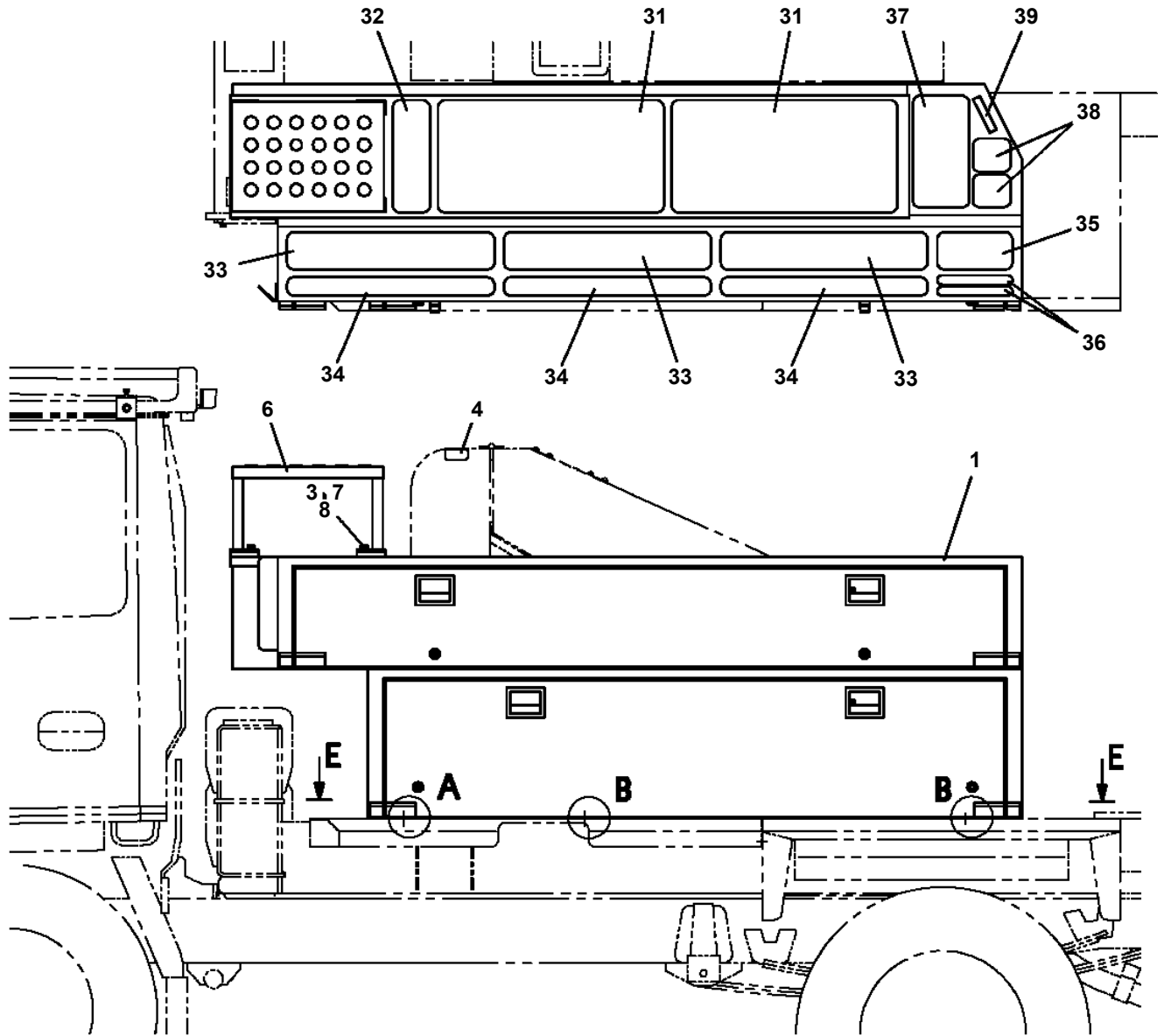


A

AT-146-1 42095120600 LOWER, MITSUBUSHI KK-FE53EBX6K2
PX1350469-00 BOX, TOOL (RIGHT)



**AT-146-1 42095120600 LOWER, MITSUBISHI KK-FE53EBX6K2
PX1350496-02 BOX, TOOL (LEFT, FOR FUZIDEN)**

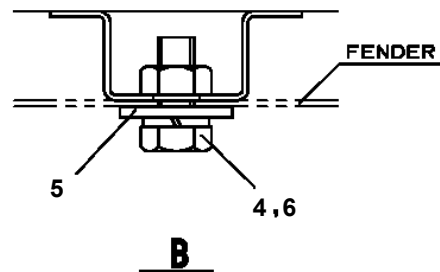
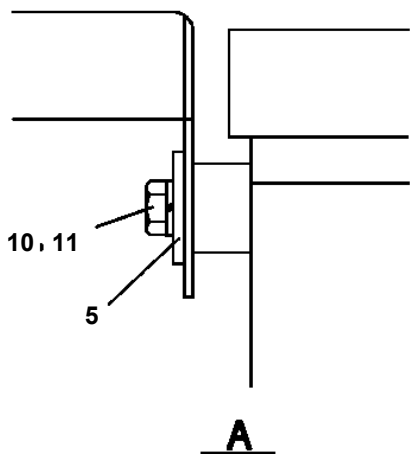
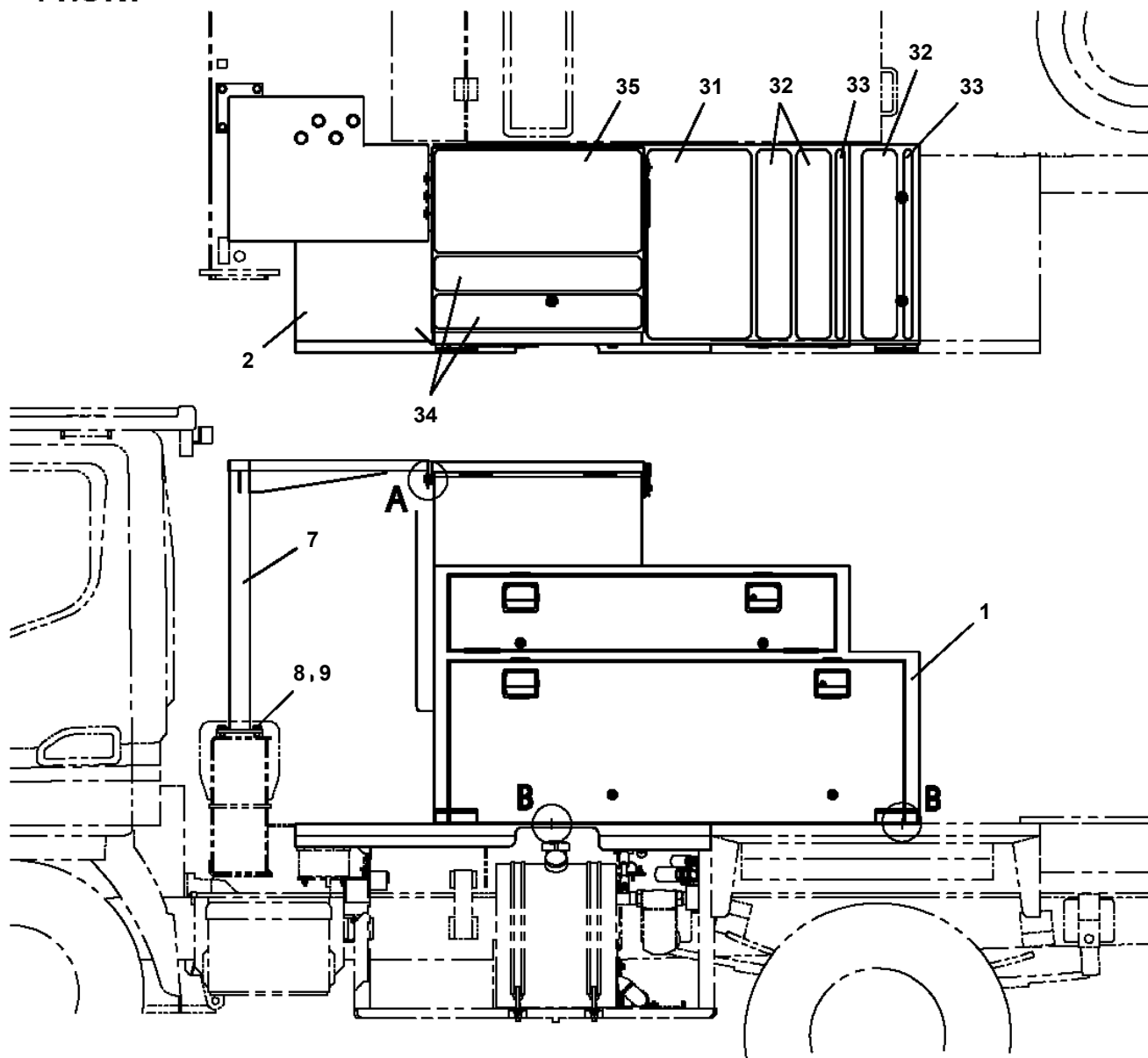


AT-146-1 42095120600 LOWER,MITSUBUSHI KK-FE53EBX6K2

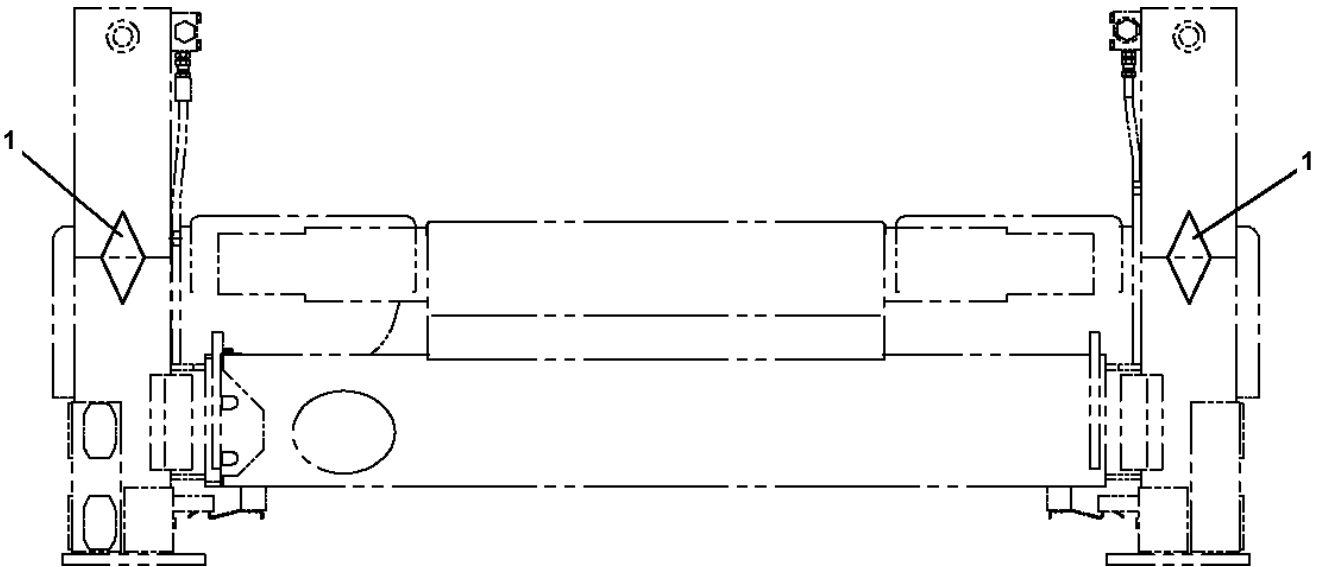
Pos No.	Parts No	Parts Name	Qty	Unit	Technical Data	Serial No (Start)	Serial No (End)
2	42833777510	DOOR	1				
3	42834117510	WINDOW	1				
4	42834117520	SEAT	1				
5	42834117530	WEATHER STRIP	1				
6	42834117540	WEATHER STRIP	1				
7	42834117550	WEATHER STRIP	1				
8	42834117560	WEATHER STRIP	1				
9	42832917570	HINGE SET (RIGHT)	2				
10	42832917580	HINGE SET (LEFT)	2				
11	42833157580	PIN	4				
12	42831877540	INSULATOR	2				
13	82400000393	INSULATOR	2				
14	42833607540	CATCH (WITH KEY)	2				
15	42833607550	CATCH (WITHOUT KEY)	2				
16	42833157590	STRIKER	4				
17	42833077610	BUSH	8				
18	80175804010	SCREW,MACHINE	8		M4X10		
19	80192435010	SCREW,MACHINE	12		M5X10		
20	80192484012	SCREW,MACHINE (WITH WASHER)	2		M4X12		
21	80192484016	SCREW,MACHINE	2		M4X16		
22	80192485012	SCREW,MACHINE	8		M5X12		
23	80175805010	SCREW,MACHINE	8		M5X10		
100	42834111000	BOX,TOOL	1				

AT-146-1 42095120600 LOWER, MITSUBISHI KK-FE53EBX6K2
PX1350654-00 BOX, TOOL (LEFT/FOR TOCHIDENKO)

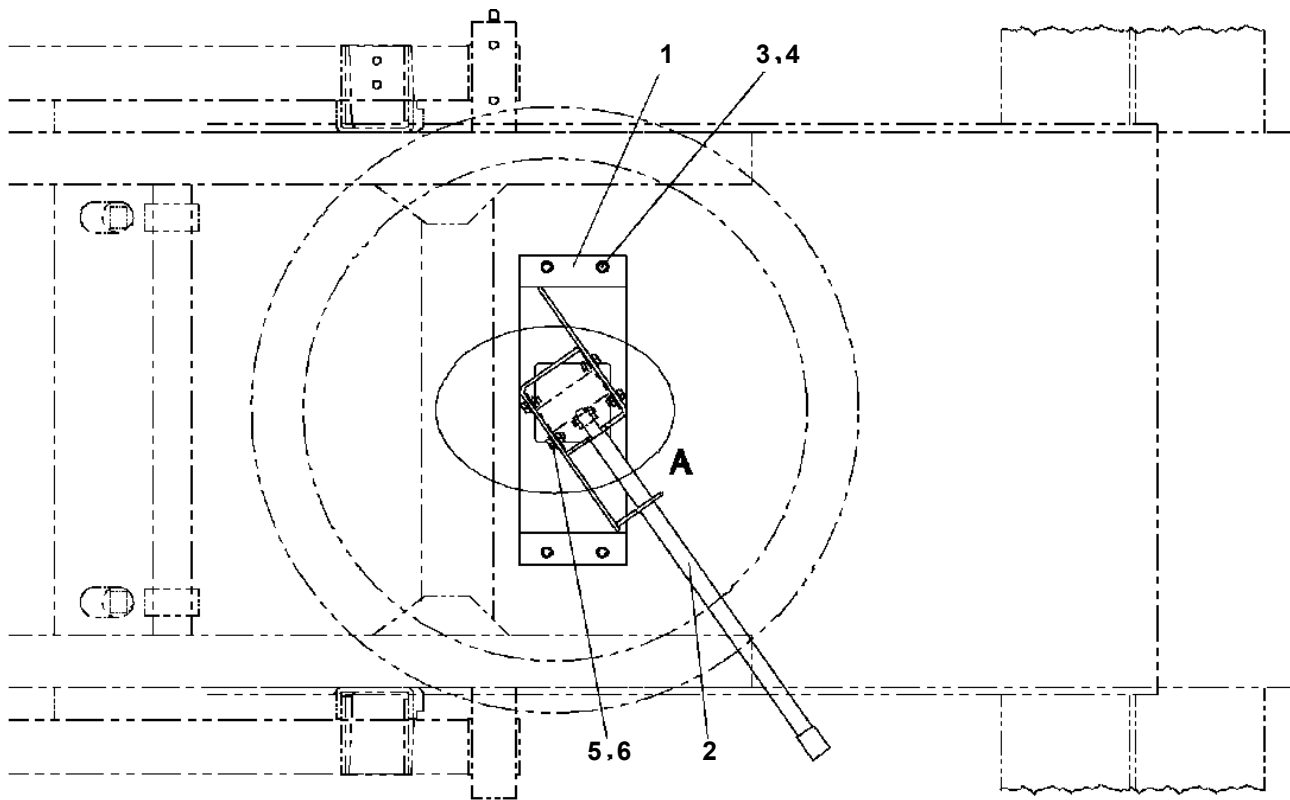
FRONT ←



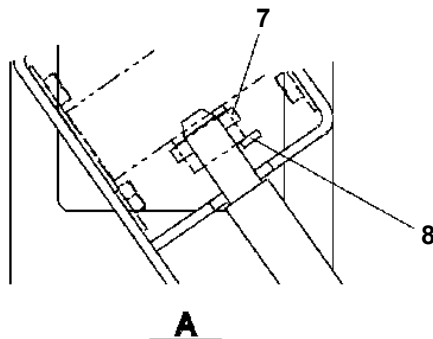
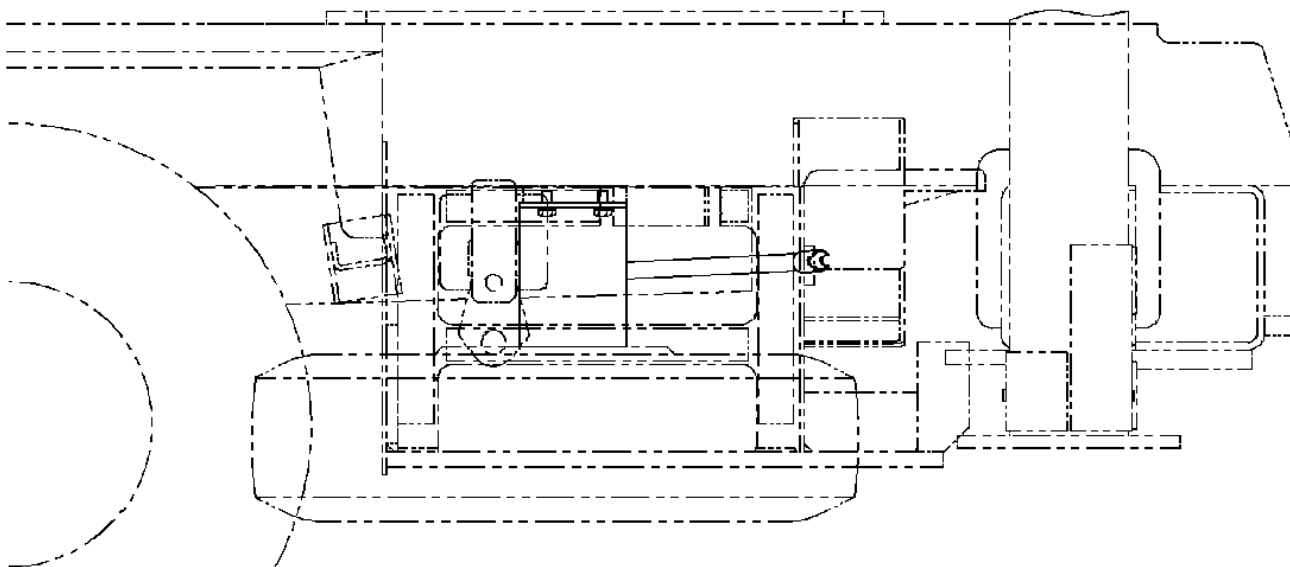
AT-146-1 42095120600 LOWER, MITSUBUSHI KK-FE53EBX6K2
PX1360029-00 REFLECTOR (REAR)



**AT-146-1 42095120600 LOWER, MITSUBISHI KK-FE53EBX6K2
PX1410185-00 MOUNT, TIRE**



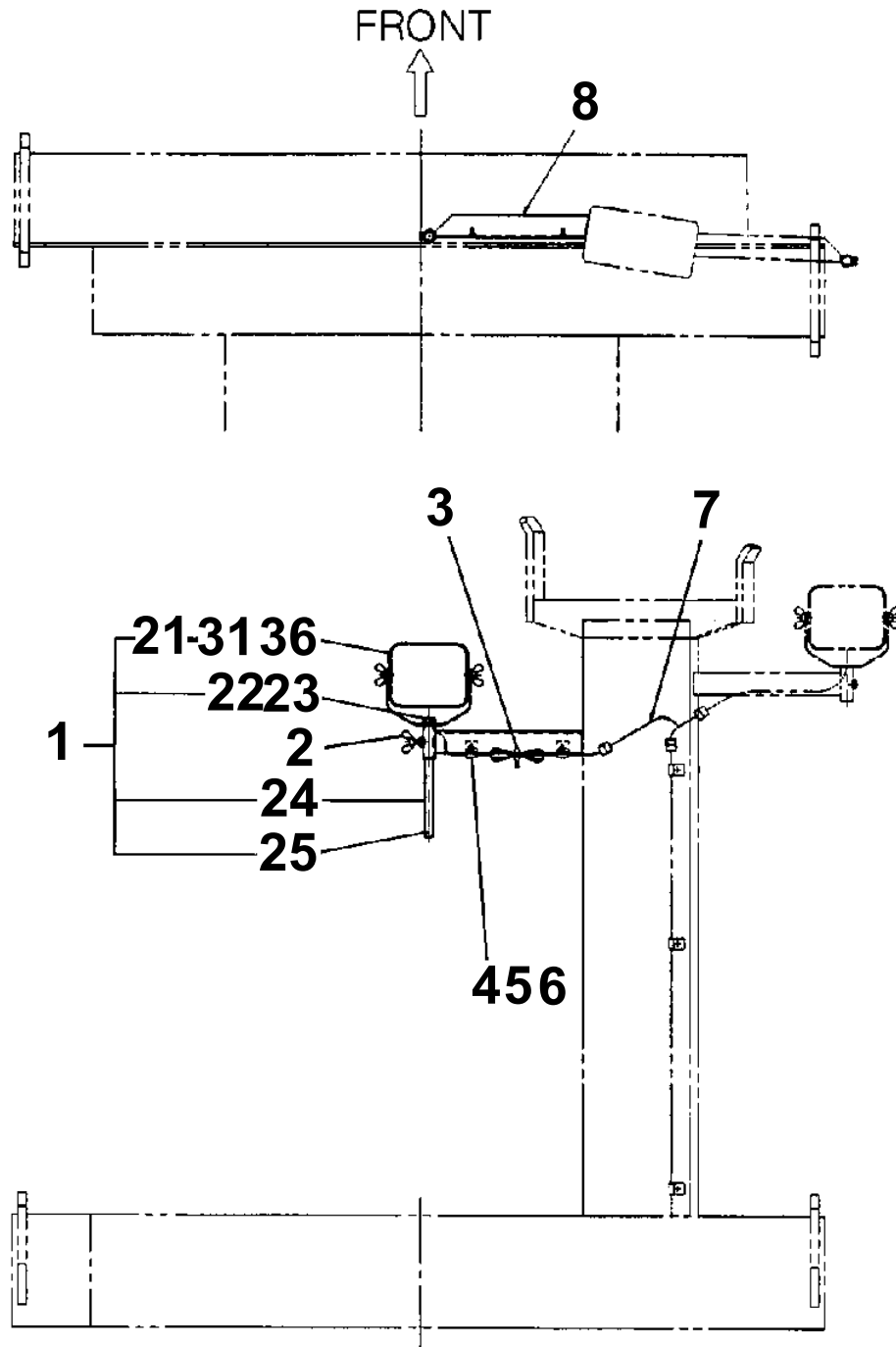
FRONT ←



AT-146-1 42095120600 LOWER,MITSUBUSHI KK-FE53EBX6K2

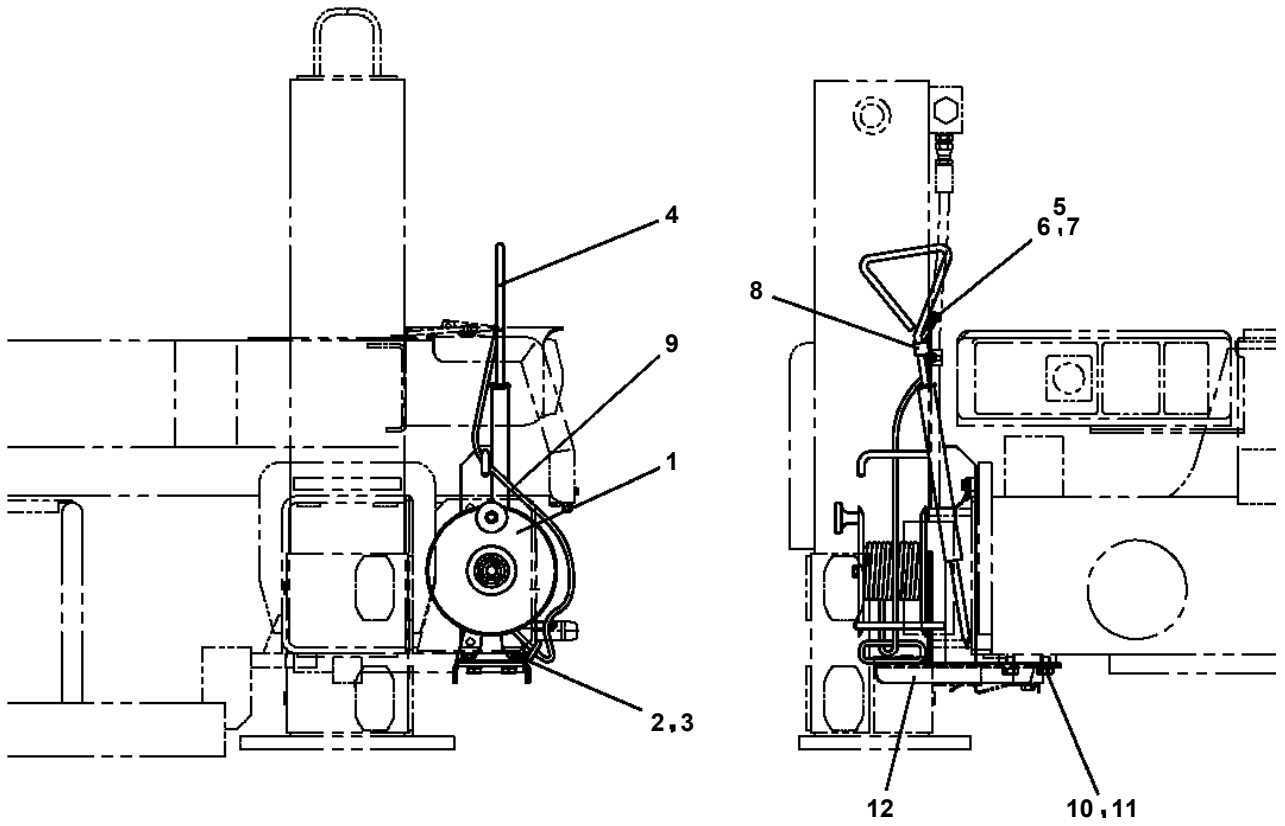
Pos No.	Parts No	Parts Name	Qty	Unit	Technical Data	Serial No (Start)	Serial No (End)
1	80305010120	FITTING,TEE	1		ZKTA15-000N		
3	90172108060	BOLT,HEXAGON SOCKET	2		M8X60		
4	90302040801	WASHER,SPRING	9		8		
5	42738310500	SUPPORT	1				
6	90131508012	BOLT,HEXAGON SOCKET <M8X12.	3				
7	80456110610	JOINT,SELF SEALING (SOCKET)	1				
8	80456120610	JOINT,SELF SEALING (PLUG)	1				
9	42738311500	COVER ASSY	1				
10	81408000210	PIPE,STEEL	1	M	15X2.0T		
11	81408000210	PIPE,STEEL	1	M	15X2.0T		
12	37000714490	CLAMP ASSY	1				
13	37000300750	SLEEVE	6		18-15		
15	91810130250	FASTENER	1				
16	81408000210	PIPE,STEEL	1	M	15X2.0T		
17	81408000210	PIPE,STEEL	1	M	15X2.0T		
18	81408000210	PIPE,STEEL	1	M	15X2.0T		
19	80305151504	FITTING,TEE	1				
20	80303130201	FITTING,ELBOW	1		KLO15-040E		
21	81408000210	PIPE,STEEL	2	M	15X2.0T		
22	80320010075	FITTING	1		KUD12-020N		
23	37002457690	HOSE	1		L=650		
24	81408000210	PIPE,STEEL	1	M	15X2.0T		
25	80301010120	FITTING	5		KUA15-000N		
26	37000711090	CLAMP ASSY	1		18X2		
27	42736713000	BOOSTER	1				
29	81408000210	PIPE,STEEL	1	M	15X2.0T		
30	81408000210	PIPE,STEEL	1	M	15X2.0T		
31	81408000210	PIPE,STEEL	2	M	15X2.0T		
32	37002423460	HOSE	1		L=650		
33	80302090141	FITTING	1		KCO12-020N		
34	91002801100	O-RING	1		1B P11		
35	31642340110	JOINT	2				
36	90101208016	BOLT	4		M8X16		
37	37002201980	PLATE,NAME	1				
38	42736050500	PLATE,NAME	1				
39	37000502190	PLATE	2				
40	91002801800	O-RING	2		1B P18		
41	81408000160	PIPE,STEEL	2	M	12X1.4T		
42	91002801400	O-RING	10		1B P14		
43	42340190090	ORIFICE	1		1.2		
44	80302090181	FITTING	4		KCO15-030N		
47	42738310800	SUPPORT	1				
48	42343190700	JOINT	1				
49	80481103020	JOINT	1		PF3/8-PF1/4		
50	80400160129	JOINT	1				
51	80471020504	JOINT	1		HL205-04		
52	90101210022	BOLT	4		M10X22		
53	81408000210	PIPE,STEEL	1	M	15X2.0T		
54	82100001412	TUBE,SPIRAL	2	M	SE-12BK		
55	91810132530	FASTENER	5				
56	37000579480	PLATE	2				
57	37000579490	PLATE	2				
58	81408000210	PIPE,STEEL	1	M	15X2.0T		
59	37000928370	JOINT	1		S,G1/2-G1/2		
71	42736711100	FITTING,FLANGE	1				
72	36645930000	VALVE,SOLENOID	1				
73	90172105050	BOLT,HEXAGON SOCKET	4		M5X50		
74	80302090201	FITTING	1		KCO15-040N		
75	91002801800	O-RING	5		1B P18		
76	80316070040	PLUG	2		PF1/4		
77	91002801100	O-RING	2		1B P11		
78	80303130181	FITTING,ELBOW	1		KLO15-030E		
79	80303130201	FITTING,ELBOW	2		KLO15-040E		

AT-146-1 42095120600 LOWER, MITSUBUSHI KK-FE53EBX6K2
PY1180240-01 LAMP (WORKING: BOOM REST LEFT)



**AT-146-1 42095120600 LOWER, MITSUBUSHI KK-FE53EBX6K2
PY1650079-00 EARTHING DEVICE**

FRONT ←



CLICK HERE TO **DOWNLOAD** THE COMPLETE MANUAL

- Thank you very much for reading the preview of the manual.
- You can download the complete manual from: www.heydownloads.com by clicking the link below



- Please note: If there is no response to CLICKING the link, please download this PDF first and then click on it.

CLICK HERE TO **DOWNLOAD** THE COMPLETE MANUAL