

**AT-146-4A 43011831440 UPPER, LOWER, HINO 2KG-XZU600F-TKFSE6**

**PB0000300-00 UPPER STRUCTURE SYSTEM**

**PB0000504-00 LOWER STRUCTURE SYSTEM**

**ASSEMBLY**

CLICK HERE TO **DOWNLOAD** THE COMPLETE MANUAL

- Thank you very much for reading the preview of the manual.
- You can download the complete manual from: [www.heydownloads.com](http://www.heydownloads.com) by clicking the link below



- Please note: If there is no response to CLICKING the link, please download this PDF first and then click on it.

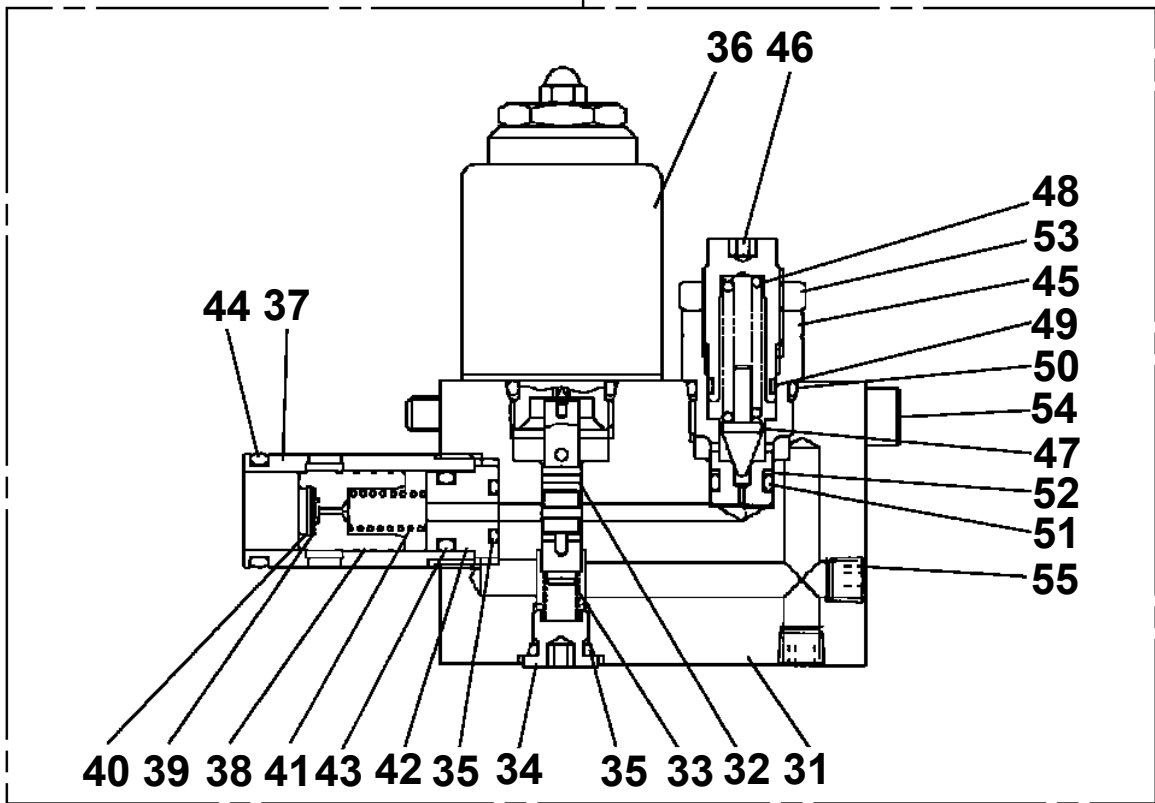
CLICK HERE TO **DOWNLOAD** THE COMPLETE MANUAL

# AT-146-4A 43011831440 UPPER, LOWER, HINO 2KG-XZU600F-TKFSE6

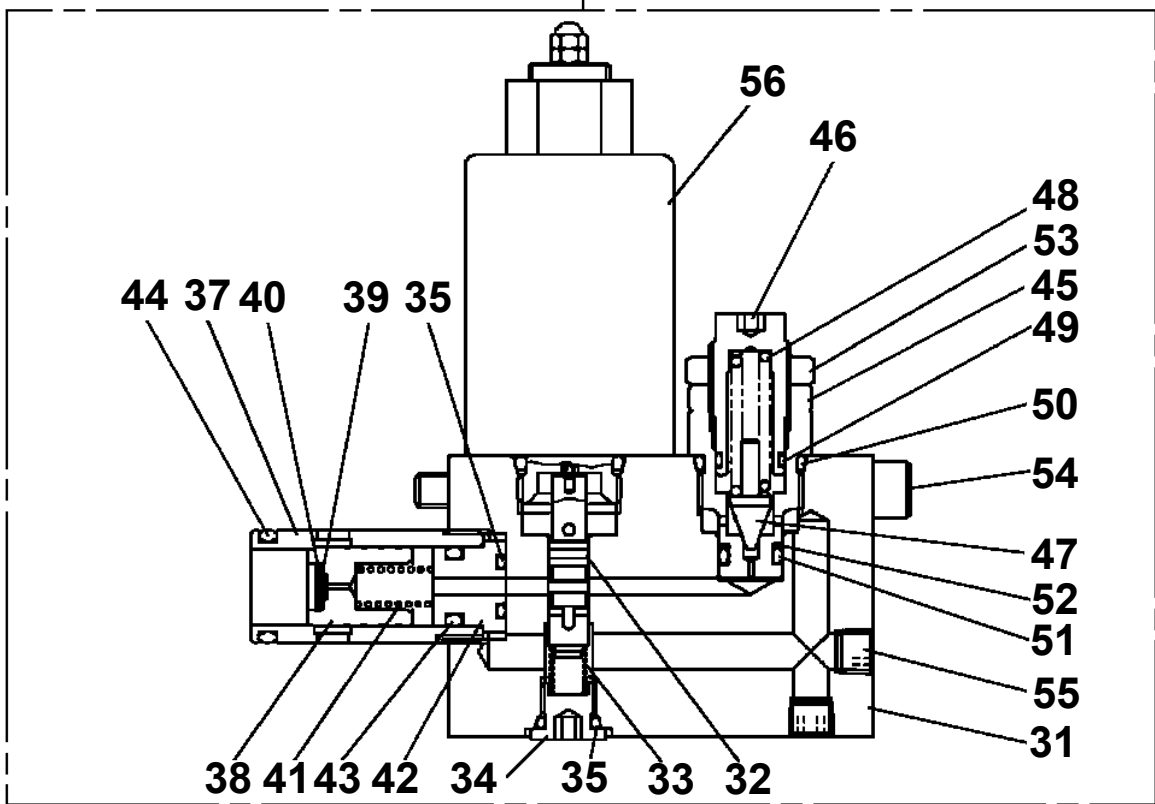
PY1790001-00 HANGER (FOR BUCKET)  
PY1790004-01 HANGER (FOR BUCKET,FRP)  
PY1790005-01 HANGER (FOR BUCKET,FRP)  
PY1930005-00 BLOCK,RUBBER (NAKAMURA)  
PY2000268-04 OPTION UNIT,2 (UPPER)  
PY2120000-00 BOX,TOOL (FOR BUCKET)  
PY2120001-00 BOX,TOOL (FOR BUCKET)  
PY2120005-00 BOX,TOOL (FOR BUCKET,FRP)  
PY2130001-00 COVER,LAMP (WORKING)  
PY2170006-01 COVER,WINCH (GRAY,FOR KANDENKO)  
PY2170011-00 COVER,WINCH (WHITE)  
PY5240006-01 ARM ASSY  
PY5310010-00 AUTOMATIC MOTION CONTROLLER  
PZ0000000-00 MAT  
PZ0000000-00 MODIFICATION ASSY  
PZ0000000-00 MODIFICATION ASSY (BUCKET FRAME)  
PZ0000000-00 MODIFICATION ASSY (FRP CONTROL PANEL)  
PZ0000000-00 SWITCH ASSY (2M,ELEC. BOOSTER REMOCON,SANWA,KASUGA)  
PZ0000000-00 SWITCH ASSY (3M,ELEC. BOOSTER REMOCON,SANWA,KASUGA)  
PZ0000000-00 SWITCH ASSY (5M,ELEC. BOOSTER REMOCON,SANWA,KASUGA)  
PZ0000000-00 OUTRIGGER ASSY,FRONT  
PZ0000000-00 FRAME ASSY (B SPEC.)  
PZ0000000-00 ELEC.ASSY,FRAME  
PZ0000000-00 MODIFICATION ASSY  
PZ0000000-00 MOUNT ASSY,FRAME  
PZ0000000-00 MOUNT ASSY,TANK SUPPORT (B SPEC.)  
PZ0000000-00 BOX,TOOL  
PZ0000000-00 CARRIER UNIT  
PZ0000000-00 MOUNTING UNIT

AT-146-4A 43011831440 UPPER, LOWER, HINO 2KG-XZU600F-TKFSE6  
 PB1320537-01 VALVE, MANUAL CONTROL

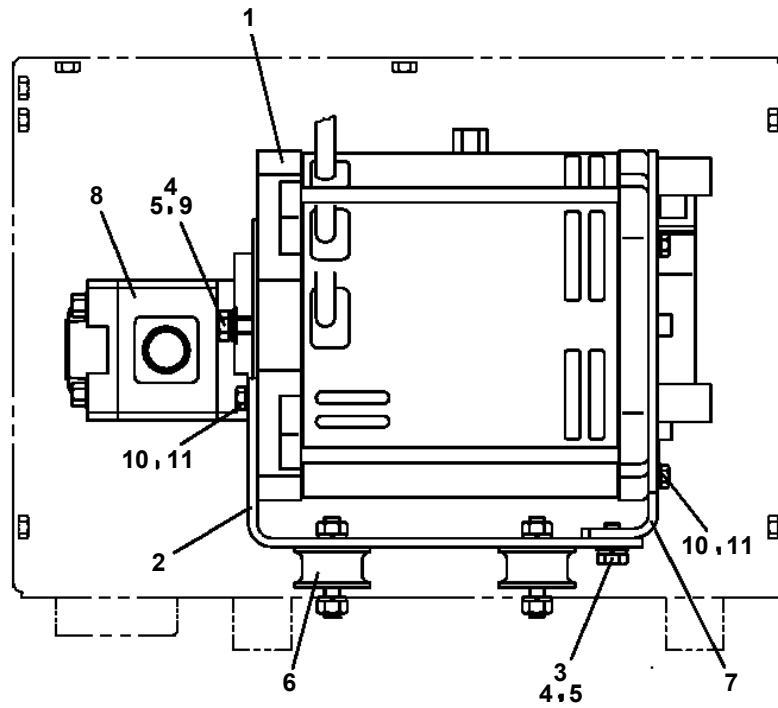
2



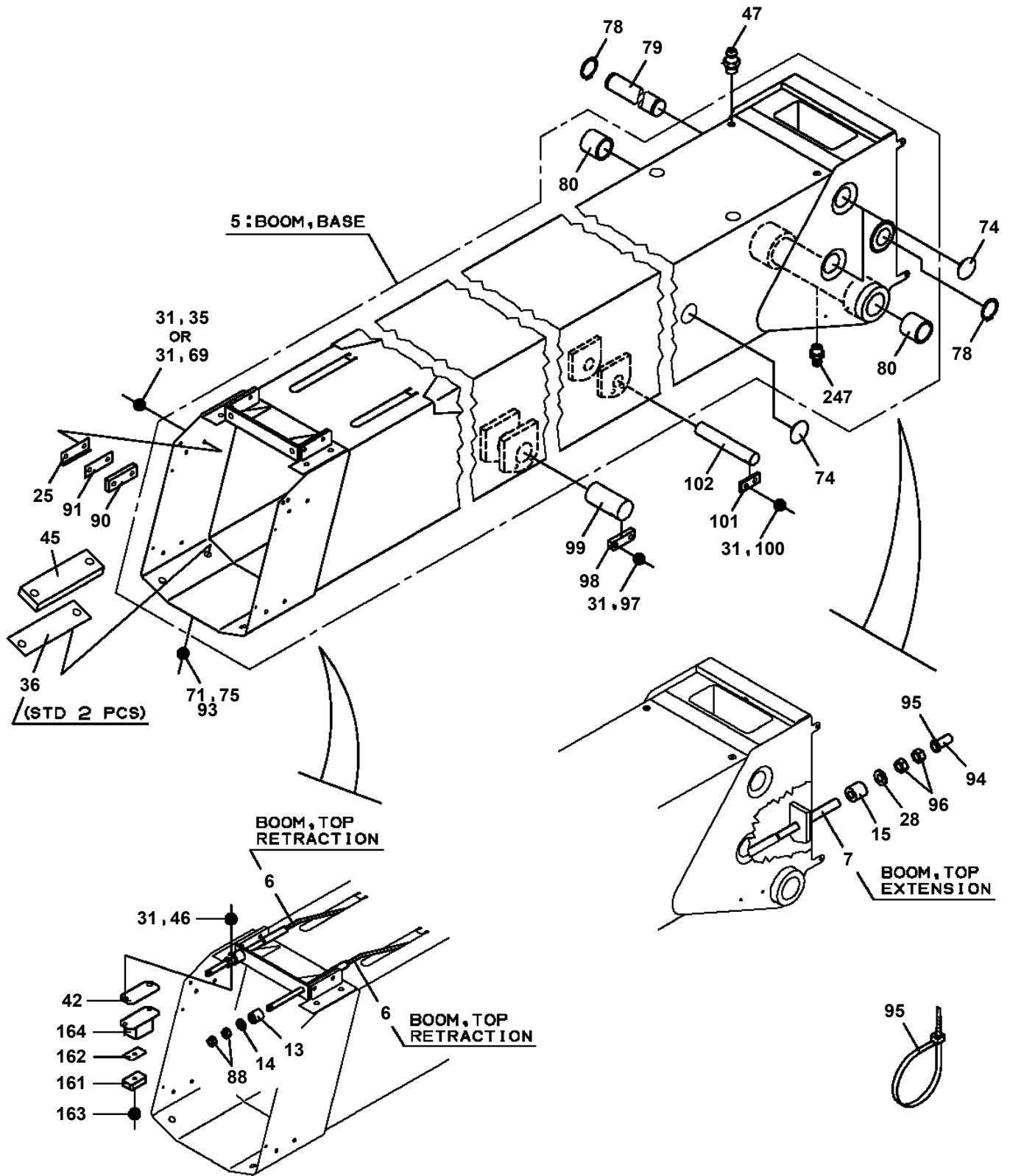
2



**AT-146-4A 43011831440 UPPER, LOWER, HINO 2KG-XZU600F-TKFSE6  
PB1380294-00 POWER SUPPLY (MOTOR UNIT)**



**AT-146-4A 43011831440 UPPER, LOWER, HINO 2KG-XZU600F-TKFSE6  
PB5190171-01 BOOM ASSY**



# AT-146-4A 43011831440 UPPER, LOWER, HINO 2KG-XZU600F-TKFSE6

Pos No.	Parts No	Parts Name	Qty	Unit	Technical Data	Serial No (Start)	Serial No (End)	Remarks	Pages
1	42268822000	BUCKET	1						

# AT-146-4A 43011831440 UPPER, LOWER, HINO 2KG-XZU600F-TKFSE6

Pos No.	Parts No	Parts Name	Qty	Unit	Technical Data	Serial No (Start)	Serial No (End)	Remarks	Pa
1	90209202200	NUT	1		M22				
2	90302042201	WASHER,SPRING (22)	1						
3	90303072201	WASHER,PLAIN	1		22				
4	91684006000	PACKING	2						
5	91431205001	RING,BACKUP	2						
6	91002802500	O-RING	1		1B P25				
7	91302206000	BEARING,PLAIN	2						
8	36034700060	PISTON	1						
9	36035100200	ROD	1						
10	36035100100	CYLINDER	1						
11	91002905500	O-RING	1		1B G55				
12	91694004000	PACKING	1						
13	91410204001	RING,BACKUP	1						
14	91660004001	SEAL,DUST	1						
15	36034700300	COVER,ROD	1						
16	91002906000	O-RING	1		1B G60				
50	36034709900	PACKING SET	1		40X60				
100	36035100000	CYLINDER,JACK	1						

# AT-146-4A 43011831440 UPPER, LOWER, HINO 2KG-XZU600F-TKFSE6

Pos No.	Parts No	Parts Name	Qty	Unit	Technical Data	Serial No (Start)	Serial No (E
100	42510290000	CABLE ASSY (PC CONNECTION CABLE)	1				

**AT-146-4A 43011831440 UPPER, LOWER, HINO 2KG-XZU600F-TKFSE6**

Pos No.	Parts No	Parts Name	Qty	Unit	Technical Data	Serial No (Start)	Serial No (End)	Remarks	P
100	36172650000	CONTROLLER (GSMT)	1						

**AT-146-4A 43011831440 UPPER, LOWER, HINO 2KG-XZU600F-TKFSE6**

Pos No.	Parts No	Parts Name	Qty	Unit	Technical Data	Serial No (Start)	Serial No (End)	Remarks
1	42272511100	COVER	1					
2	42272511200	COVER	1					
5	80172803008	SCREW,MACHINE	8		M3X8			
6	90201500300	NUT	8		M3			
7	90302510301	WASHER,SPRING (SUS 3)	8					
8	82466100702	CATCH	2					
9	80172804012	SCREW,MACHINE	12		M4X12			
10	90201500400	NUT	12		M4			
11	90302510401	WASHER,SPRING	12		4			
12	82464110305	HINGE	2					
100	42272511000	COVER ASSY	1					

# AT-146-4A 43011831440 UPPER, LOWER, HINO 2KG-XZU600F-TKFSE6

Pos No.	Parts No	Parts Name	Qty	Unit	Technical Data	Serial No (Start)	Serial No (End)	Remarks	Pages
1	42443101310	PLATE	1						
3	42443101271	BLADE	1						
4	42443101381	SUPPORT	1						
5	80172304014	SCREW,MACHINE	4		M4X14				
6	90302040401	WASHER,SPRING	4		4				
7	90201200400	NUT	4		M4				
8	42443100850	PLATE	1						
9	42443100900	PLATE	1						
100	42443101305	COVER ASSY	1						

# AT-146-4A 43011831440 UPPER, LOWER, HINO 2KG-XZU600F-TKFSE6

Pos No.	Parts No	Parts Name	Qty	Unit	Technical Data	Serial No (Start)	Serial No (End)	Remarks
1	80801005025	BEARING,PLAIN	2					
2	82458102000	NIPPLE,GREASE	1		B-PT1/8			
3	80720104020	PIN,SPRING	1		4X20			
4	90790010020	SCREW,SET	1		10X20			
5	91302212500	BEARING,PLAIN	2					
6	91684112501	PACKING	2					
7	91411211001	RING,BACKUP	2					
8	91002805001	O-RING	1		1B P50A			
9	36027713000	PISTON	1					
10	36027711001	ROD	1					
11	36028769511	CYLINDER ASSY	1					
12	80612110970	RING,RITAINING	1		AR97			
13	91002811500	O-RING	1		1B P115			
14	80801009040	BEARING,PLAIN	1					
15	36026179520	COVER,ROD	1					
16	91251100900	RING,DAMPER	1					
17	91694009000	PACKING	1					
18	91410209000	RING,BACKUP	1					
19	91002912500	O-RING	1		1B G125			
20	91660009000	SEAL,DUST	1					
21	80622000900	RING,RITAINING	1		SP90			
22	36025912000	END,ROD	1					
23	91001207000	O-RING	1		1A G70			
24	80316030020	PLUG	1		PT1/8			
25	37000926070	ORIFICE	1		M8,0.6			
40	36025919900	PACKING SET	1		90X125			
52	82458102000	NIPPLE,GREASE	1		B-PT1/8			
72	80541700050	BEARING,SPHERICAL	1					
74	82100000548	CONNECTOR	1					
77	82100001411	TUBE,SPIRAL	1	M	SE-08BK			
78	80316090020	PLUG	1		KKT PT1/8			
91	82100001155	CONNECTOR	1					
100	36028760002	CYLINDER ASSY,DERRICK	1					

# AT-146-4A 43011831440 UPPER, LOWER, HINO 2KG-XZU600F-TKFSE6

Pos No.	Parts No	Parts Name	Qty	Unit	Technical Data	Serial No (Start)	Serial No (End)	Remarks
1	(*****)	SWING FRAME ASSY	1					
2	(*****)	SWING UNIT	1					
3	(*****)	DERRICK ASSY	1					
4	42491440000	LEVELING ASSY,LOWER	1					
5	(*****)	PIPING ASSY,SWING FRAME	1					
6	(*****)	ELEC.ASSY,SWING FRAME	1					
7	(*****)	OUTER COVERING ASSY	1					
8	(*****)	MOUNT ASSY,SUPPORT	1					

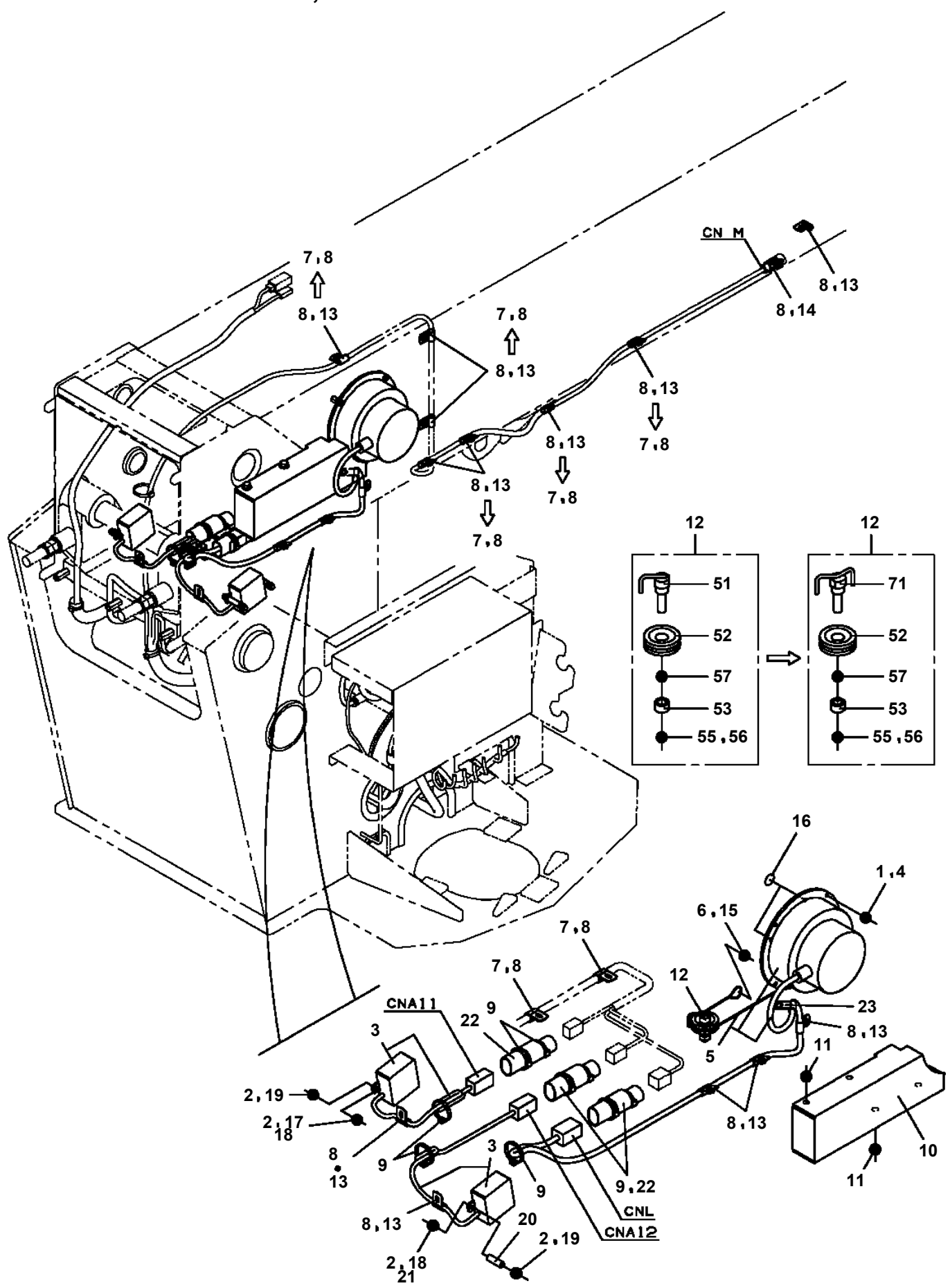
# AT-146-4A 43011831440 UPPER, LOWER, HINO 2KG-XZU600F-TKFSE6

Pos No.	Parts No	Parts Name	Qty	Unit	Technical Data	Serial No (Start)	Serial No (End)	Remarks	Pages
1	(*****)	REEL ASSY,CORD	1						00020
2	42973450100	SUPPORT	1						
4	90303070801	WASHER,PLAIN	6		8				
5	42973450200	EARTH	1						
6	42970690400	SUPPORT	1						
7	90101210020	BOLT	8		M10X20				
8	90302041001	WASHER,SPRING	8		10				
9	90101208020	BOLT	6		M8X20				
10	90302040801	WASHER,SPRING	7		8				
11	90303071001	WASHER,PLAIN	8		10				
12	42970690700	SUPPORT	1						
13	37002701590	CABLE ASSY	1		30B,L=280				
14	90201200800	NUT	1		M8				

# AT-146-4A 43011831440 UPPER, LOWER, HINO 2KG-XZU600F-TKFSE6

Pos No.	Parts No	Parts Name	Qty	Unit	Technical Data	Serial No (Start)	Serial No (End)	Re
1	42736070100	SWITCH ASSY (WITH HARNESS)	1					
2	42902080100	HARNESS	1					
3	82199514013	CAP	1					
4	82199504017	NUT	1		AT-401N			
5	91810130240	FASTENER	4					
6	42502252120	PLATE,NAME	1					
7	42398251010	PLATE,NAME	1					

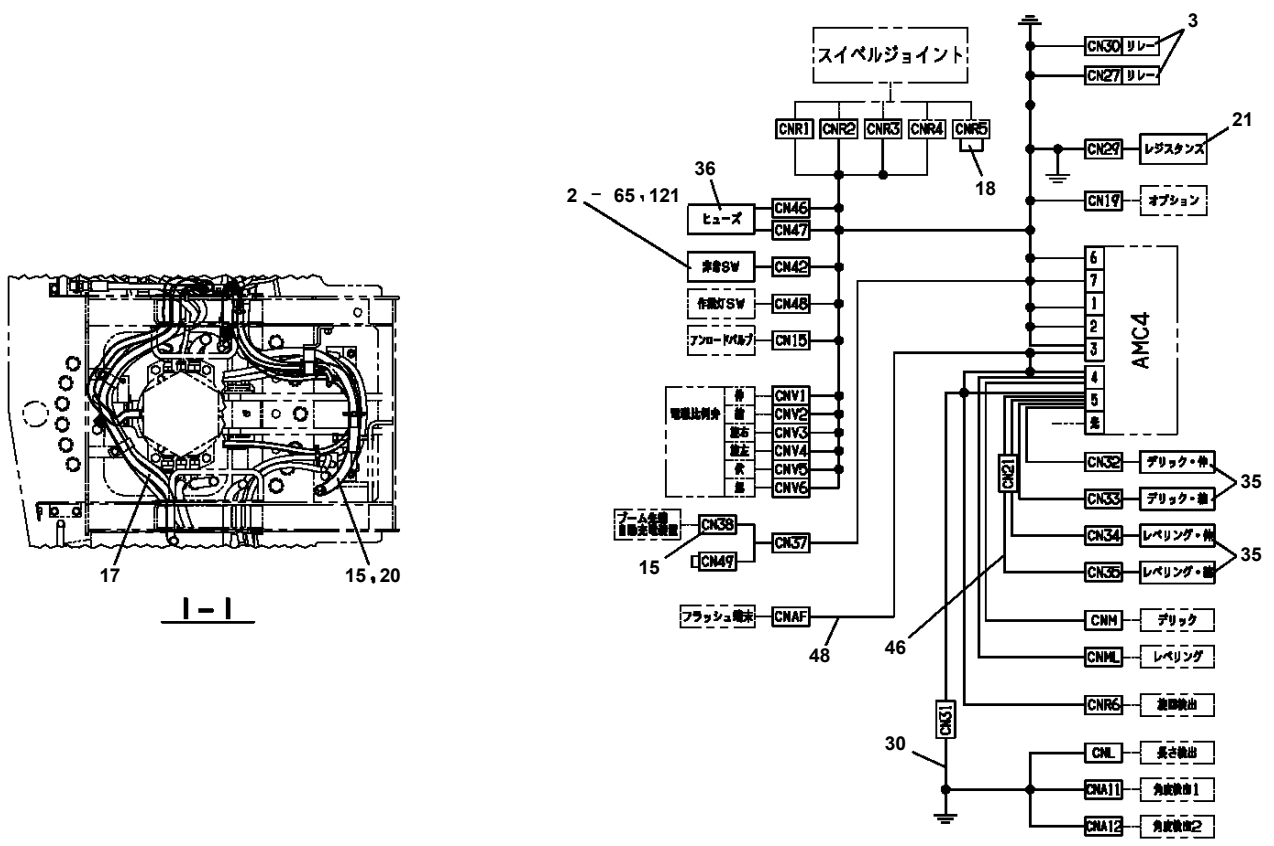
**AT-146-4A 43011831440 UPPER, LOWER, HINO 2KG-XZU600F-TKFSE6  
PE5050012-02 ELEC.ASSY,BOOM**



# AT-146-4A 43011831440 UPPER, LOWER, HINO 2KG-XZU600F-TKFSE6

Pos No.	Parts No	Parts Name	Qty	Unit	Technical Data	Serial No (Start)	Serial No (End)	Remarks	P
1	42356750200	CABLE	1		L=10000				
2	42420922100	PLATE,NAME (AC200V)	1						
3	91810132530	FASTENER	5						

AT-146-4A 43011831440 UPPER, LOWER, HINO 2KG-XZU600F-TKFSE6  
PE5190025-03 ELEC.ASSY, SWING FRAME



展開図有  
ILLUSTRATED BREAKDOWN NO.36

# AT-146-4A 43011831440 UPPER, LOWER, HINO 2KG-XZU600F-TKFSE6

Pos No.	Parts No	Parts Name	Qty	Unit	Technical Data	Serial No (Start)	Serial No (End)	Remarks	Pages
1	42220011200	SUPPORT	1						
2	90201201600	NUT	1		M16				
3	90303071601	WASHER,PLAIN	1		16				

**AT-146-4A 43011831440 UPPER, LOWER, HINO 2KG-XZU600F-TKFSE6**

Pos No.	Parts No	Parts Name	Qty	Unit	Technical Data	Serial No (Start)	Serial No (End)	Remarks	Pages
2	36673325020	HEAD ASSY	1						
3	36673325030	CASE	1						
4	36673325040	O-RING	1						
5	36673325050	RING,BACKUP	1						
11	36673730030	ELEMENT KIT	1						
100	36673730000	FILTER ASSY	1						

# AT-146-4A 43011831440 UPPER, LOWER, HINO 2KG-XZU600F-TKFSE6

Pos No.	Parts No	Parts Name	Qty	Unit	Technical Data	Serial No (Start)	Serial No (End)	Remarks	Pages
1	42267243101	COVER	1						
2	42267243201	COVER	1						
3	90183108015	BOLT	6		M8X15				

**AT-146-4A 43011831440 UPPER, LOWER, HINO 2KG-XZU600F-TKFSE6**

Pos No.	Parts No	Parts Name	Qty	Unit	Technical Data	Serial No (Start)	Serial No (End)	Remarks	Pages
100	42505421300	HARNESS	1						

# AT-146-4A 43011831440 UPPER, LOWER, HINO 2KG-XZU600F-TKFSE6

Pos No.	Parts No	Parts Name	Qty	Unit	Technical Data	Serial No (Start)	Serial No (End)	Remarks	Pages
100	42352350400	HARNESS	1						

# AT-146-4A 43011831440 UPPER, LOWER, HINO 2KG-XZU600F-TKFSE6

Pos No.	Parts No	Parts Name	Qty	Unit	Technical Data	Serial No (Start)	Serial No (End)	Remarks	Pages
100	42475540010	HARNESS	1						

# AT-146-4A 43011831440 UPPER, LOWER, HINO 2KG-XZU600F-TKFSE6

Pos No.	Parts No	Parts Name	Qty	Unit	Technical Data	Serial No (Start)	Serial No (End)	Remarks	Pages
100	42358020020	HARNESS	1						

# AT-146-4A 43011831440 UPPER, LOWER, HINO 2KG-XZU600F-TKFSE6

Pos No.	Parts No	Parts Name	Qty	Unit	Technical Data	Serial No (Start)	Serial No (End)	Remarks	Pages
25	82182819823	DIODE	2		1.5A				
100	42902340101	HARNESS	1						

# AT-146-4A 43011831440 UPPER, LOWER, HINO 2KG-XZU600F-TKFSE6

Pos No.	Parts No	Parts Name	Qty	Unit	Technical Data	Serial No (Start)	Serial No (End)	Remarks	Pages
100	42935130100	HARNESS	1						

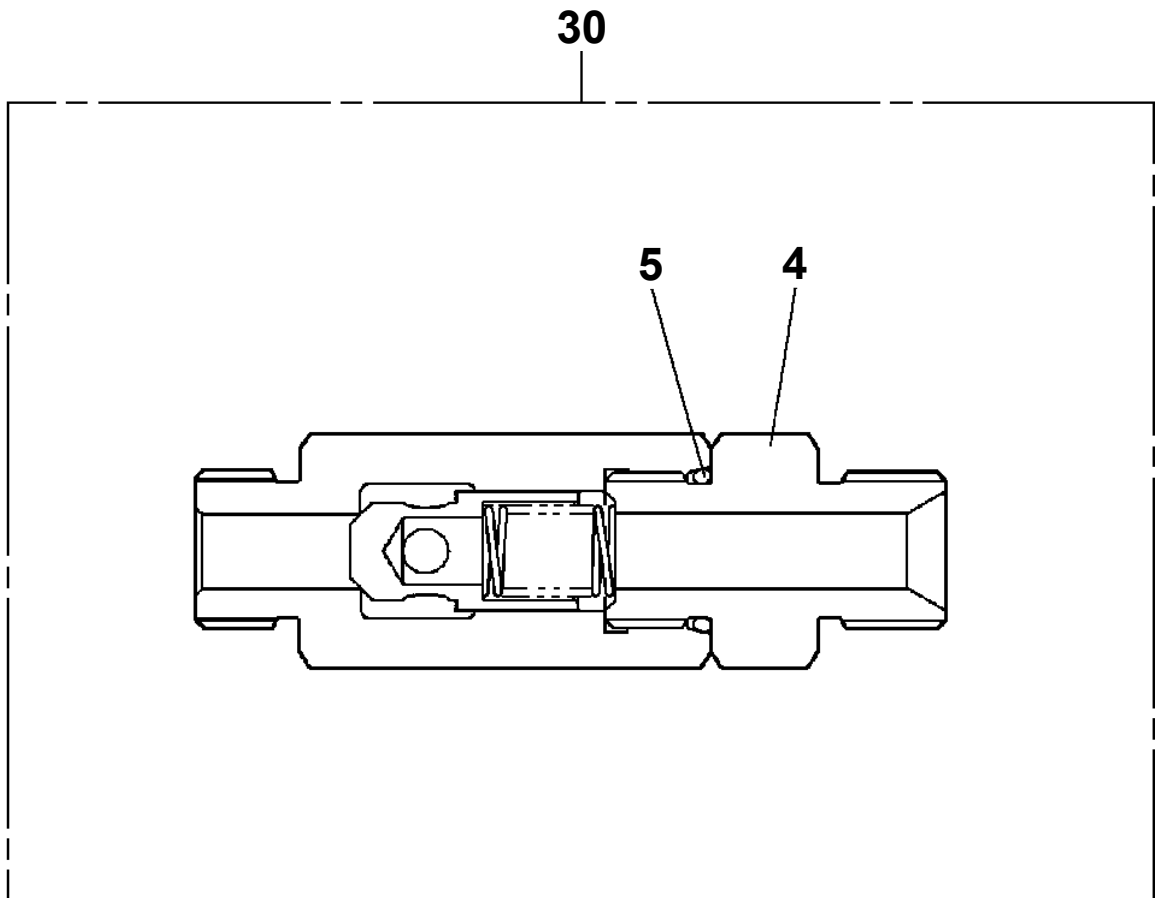
# AT-146-4A 43011831440 UPPER, LOWER, HINO 2KG-XZU600F-TKFSE6

Pos No.	Parts No	Parts Name	Qty	Unit	Technical Data	Serial No (Start)	Serial No (End)	Remarks	Pages
100	42357710200	HARNESS	1						

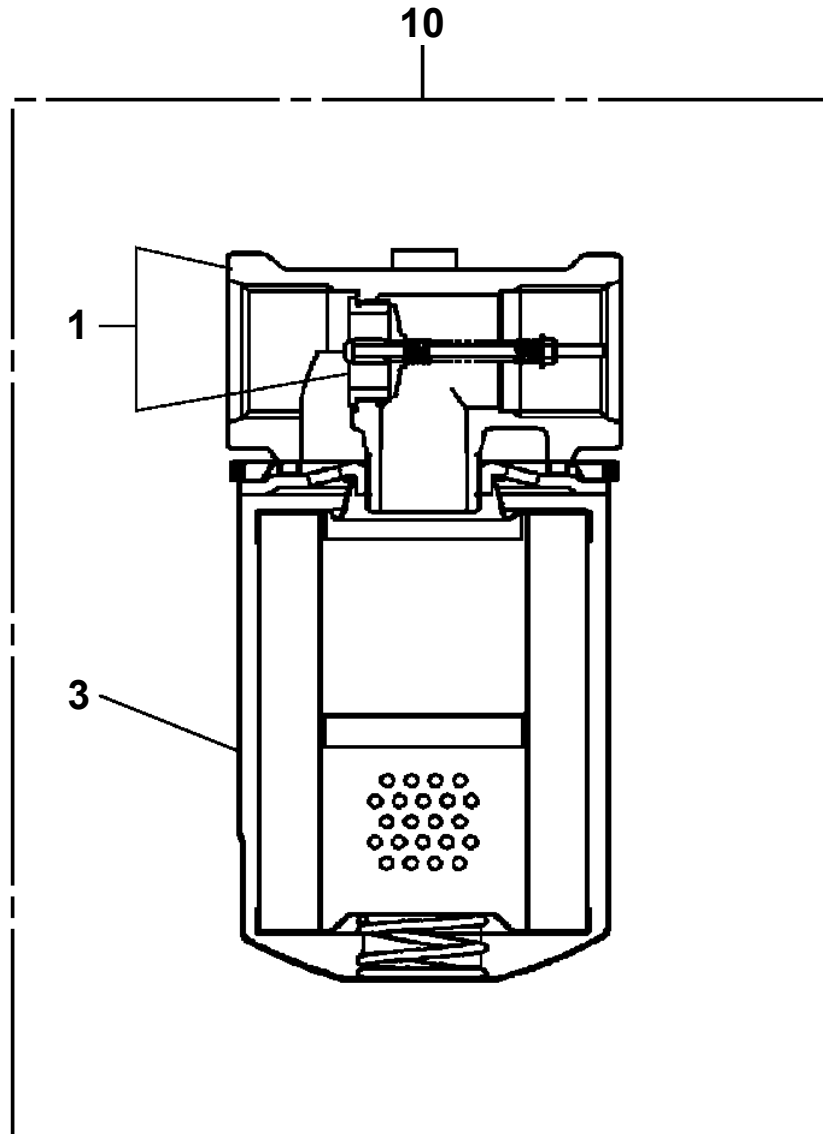
**AT-146-4A 43011831440 UPPER, LOWER, HINO 2KG-XZU600F-TKFSE6**

Pos No.	Parts No	Parts Name	Qty	Unit	Technical Data	Serial No (Start)	Serial No (End)	Remarks	Pages
100	42470044000	HOT STICK	1						

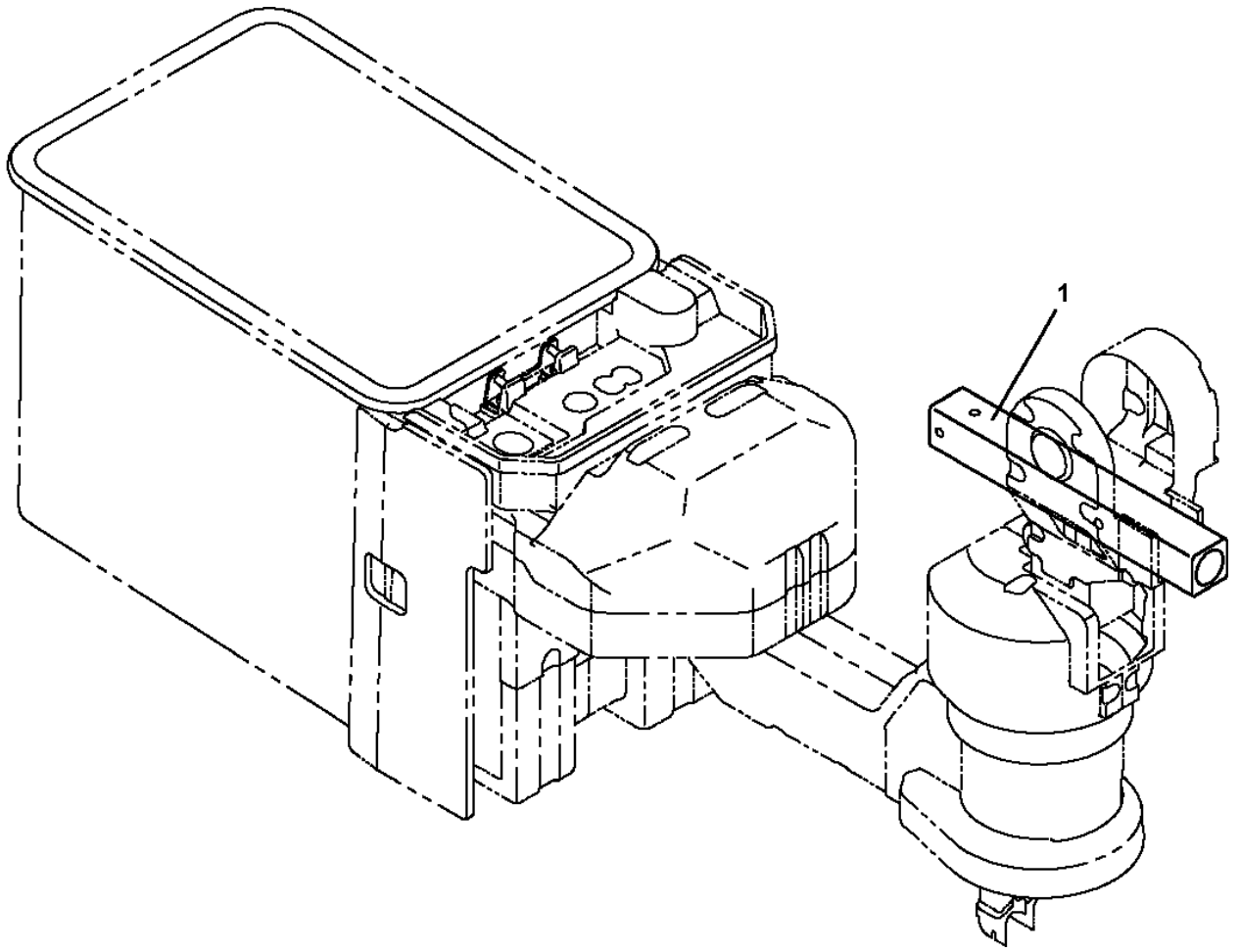
AT-146-4A 43011831440 UPPER, LOWER, HINO 2KG-XZU600F-TKFSE6  
PI1140189-00 VALVE,CHECK



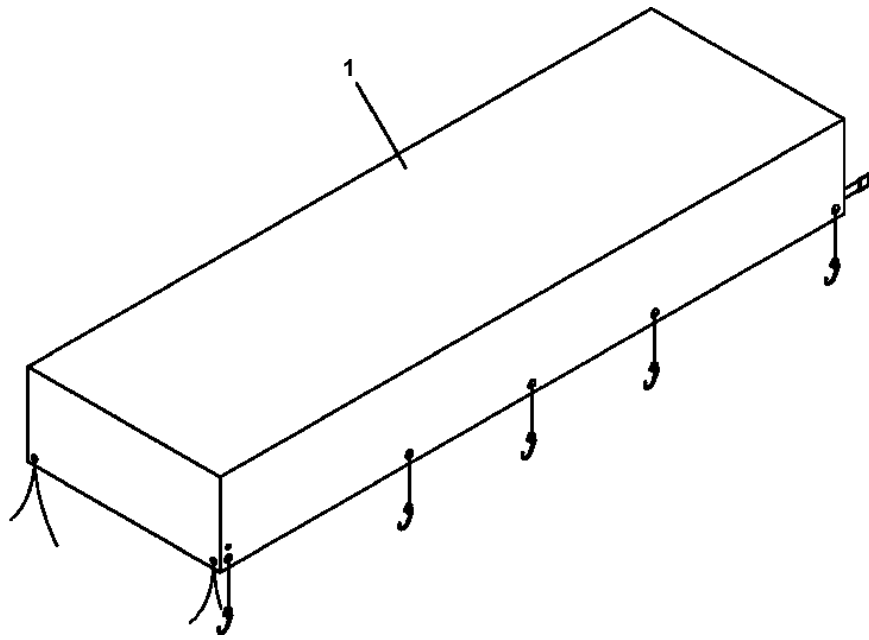
AT-146-4A 43011831440 UPPER, LOWER, HINO 2KG-XZU600F-TKFSE6  
PI1300041-00 FILTER,OIL



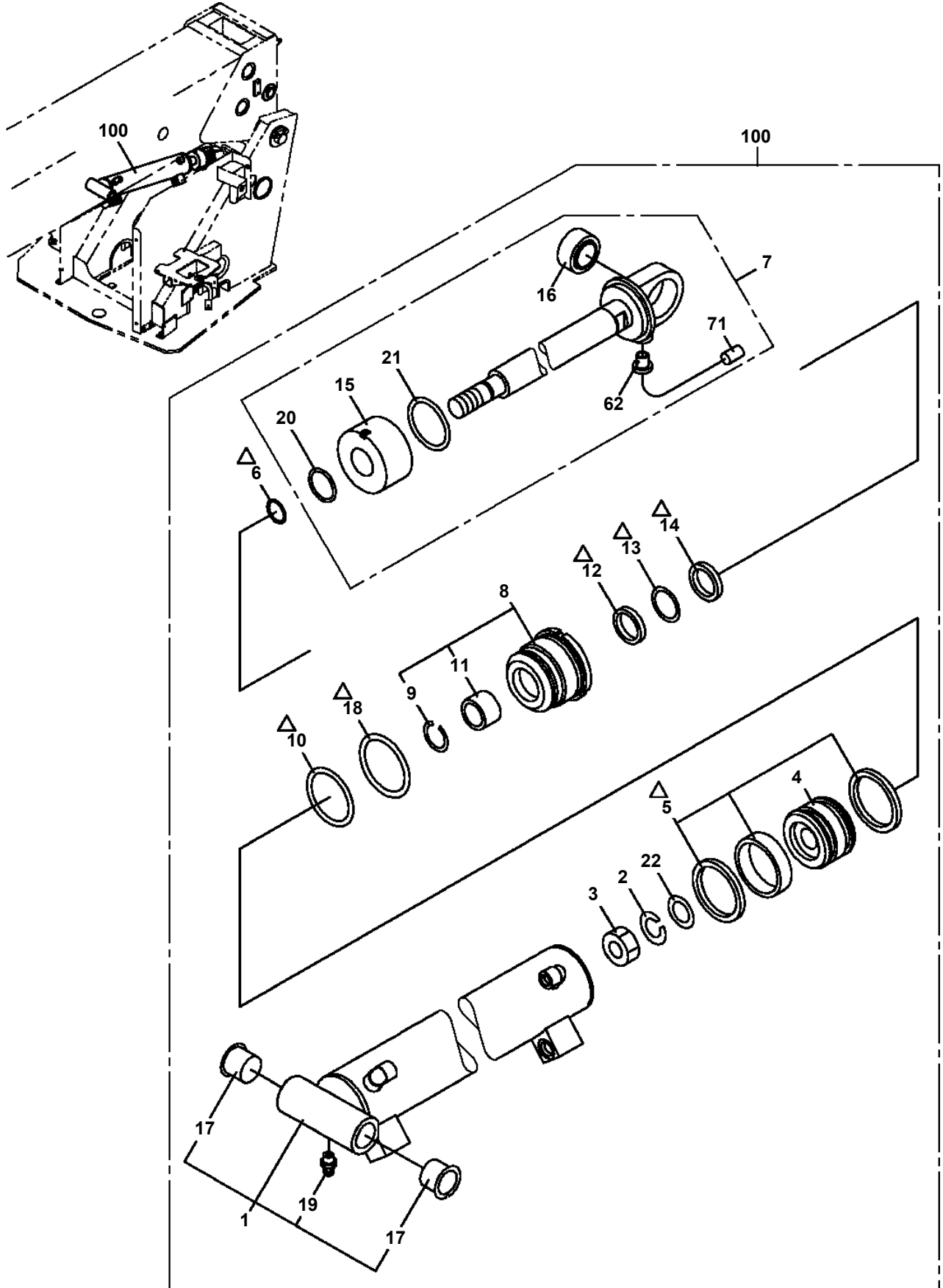
AT-146-4A 43011831440 UPPER, LOWER, HINO 2KG-XZU600F-TKFSE6  
PJ5050119-00 JIB ASSY



AT-146-4A 43011831440 UPPER, LOWER, HINO 2KG-XZU600F-TKFSE6  
PK1330432-00 COVER (RACK,L)

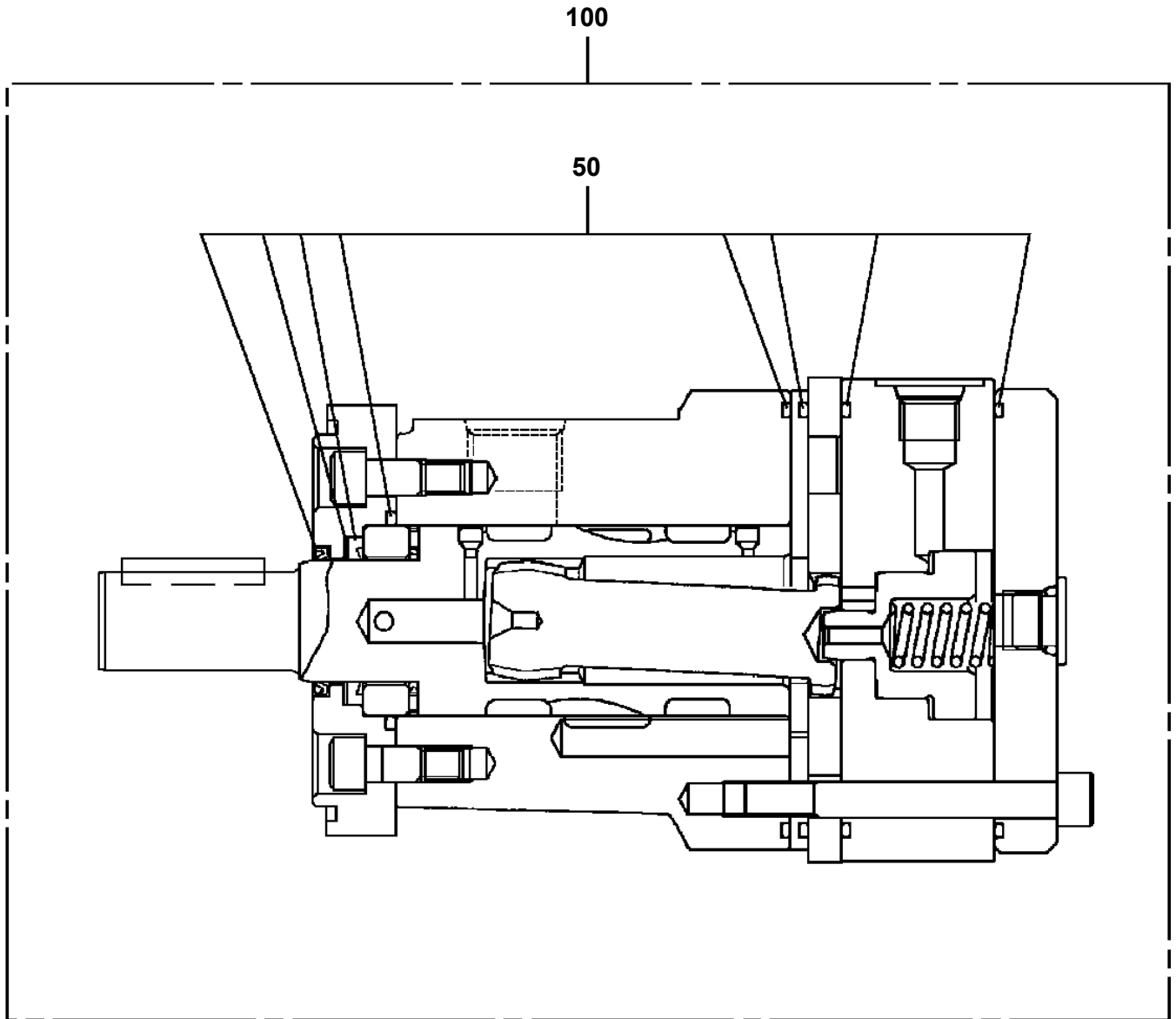


**AT-146-4A 43011831440 UPPER, LOWER, HINO 2KG-XZU600F-TKFSE6  
 PL5170003-00 LEVELING ASSY,LOWER**

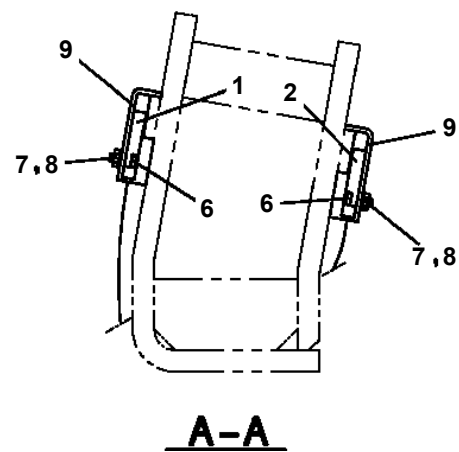
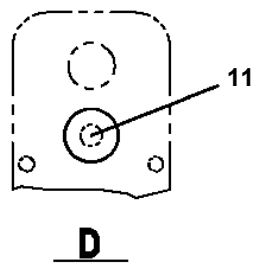
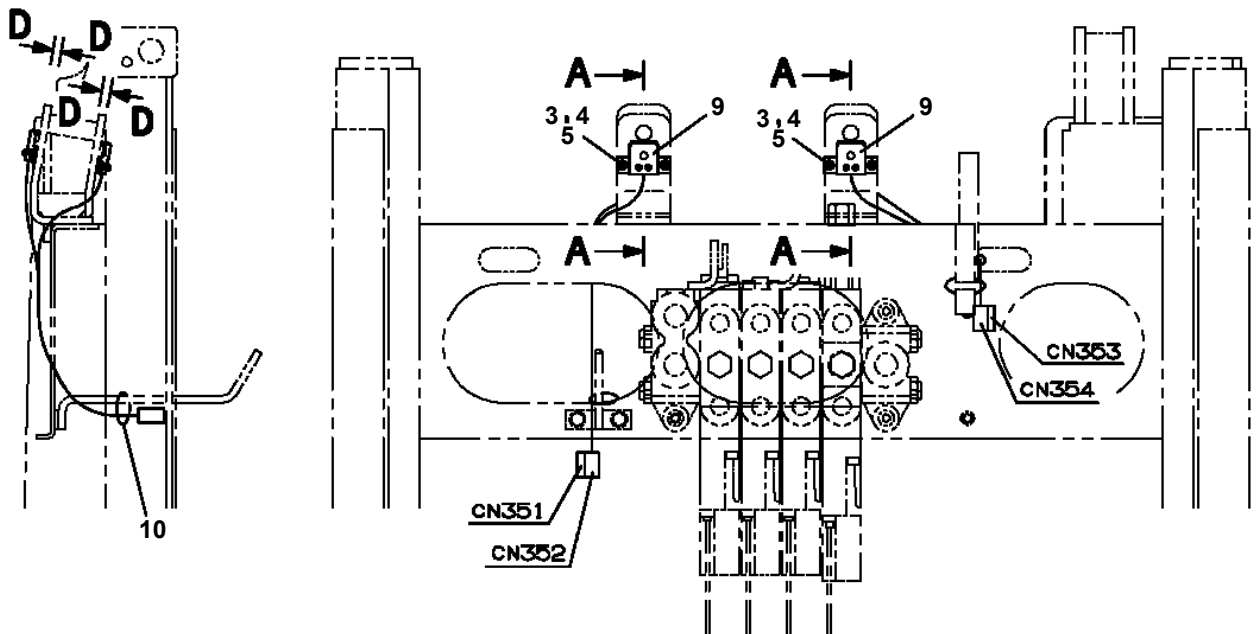
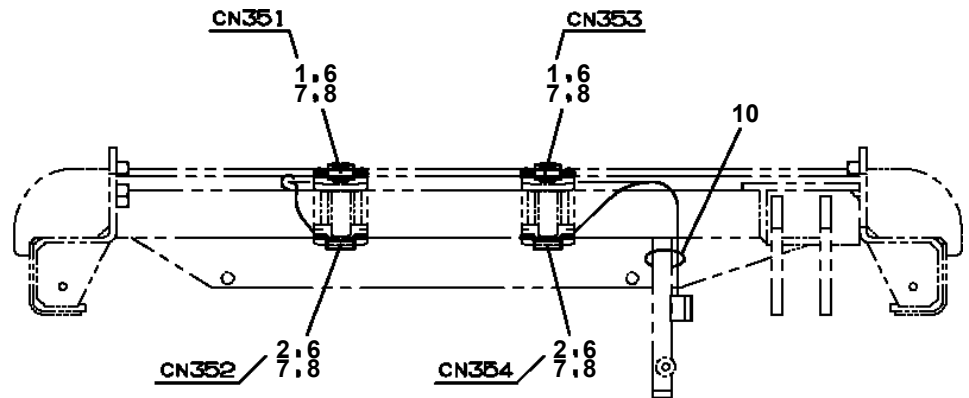


Δ:PACKING SET KEY NO. 40 (KEY NO.5,6,10,12,13,14,18)

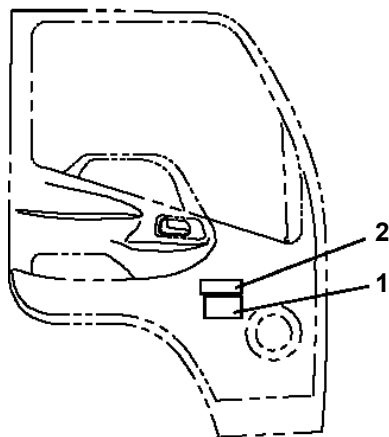
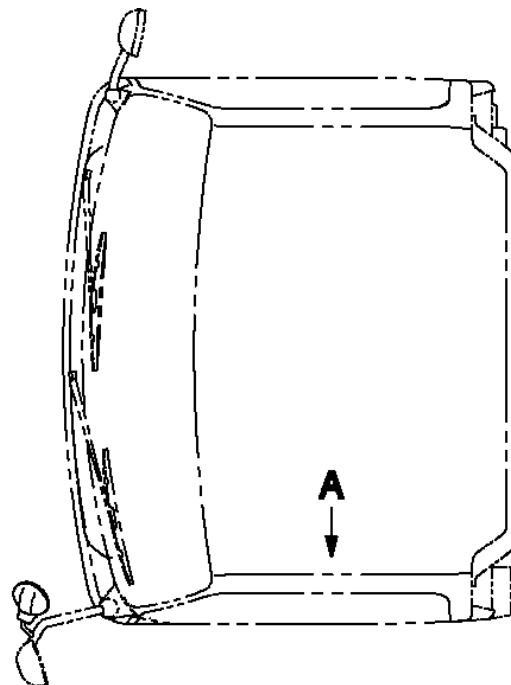
AT-146-4A 43011831440 UPPER, LOWER, HINO 2KG-XZU600F-TKFSE6  
PM5210008-00 MOTOR ASSY,OIL



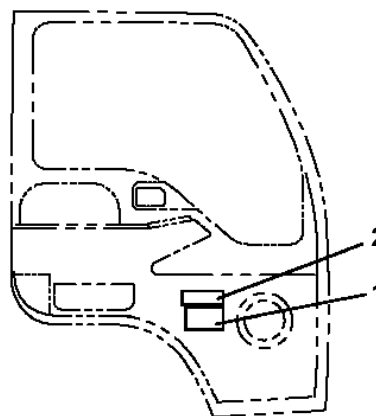
AT-146-4A 43011831440 UPPER, LOWER, HINO 2KG-XZU600F-TKFSE6  
PN1140157-00 SWITCH ASSY



AT-146-4A 43011831440 UPPER, LOWER, HINO 2KG-XZU600F-TKFSE6  
 PN5011478-00 NAME PLATE ASSY (TELEMATICS)



日野車 11型以降車 (標準車)

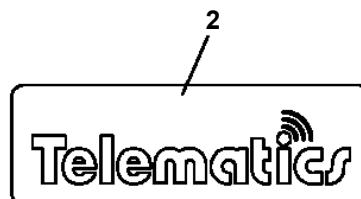


いすゞ 標準キャブ車

**A**  
 左側ドア部 内側

1

本車は日本国内の規格や法規に基づいた仕様になっております。  
 (無線/衛星通信機を含む)  
 日本国内において、本車での無線通信や衛星通信に適合することが  
 確認されるまでは、使用、又は販売しないでください。  
 This machine is Japanese specifications,  
 conforming to Japanese laws and standards,  
 (including mobile / satellite  
 communication systems)  
 When using the machine outside Japan,  
 make sure that it conforms to the laws and  
 standards of the area beforehand and  
 observe laws and regulations there.



# AT-146-4A 43011831440 UPPER, LOWER, HINO 2KG-XZU600F-TKFSE6

Pos No.	Parts No	Parts Name	Qty	Unit	Technical Data	Serial No (Start)	Serial N
1	42397041010	PLATE,NAME	1				
3	42395131010	PLATE,NAME (AT-146TE)	1				
4	(*****)	PLATE,NAME (LIVE-LINE WORKING DEVICE)	1				
5	37002202120	PLATE,NAME (HIGH/LOW)	1				
6	37002201980	PLATE,NAME	1				
7	12117140000	PLATE,NAME (GREASE)	13				
8	42591001041	PLATE,NAME	1				
9	42394271310	PLATE,NAME (MARKING)	8				
10	42591001010	PLATE,NAME	1				
11	42393312020	PLATE (NON-SLIP)	4				
12	42398291050	PLATE,NAME (MARKING)	4				
13	42591001020	PLATE,NAME	1				
14	42392583100	PLATE,CAUTION	1				
15	42392583110	PLATE,CAUTION	1				
16	42591004010	PLATE,CAUTION	1				
17	42391720040	PLATE,CAUTION	1				
18	42392583200	PLATE,CAUTION	1				
19	42591001030	PLATE,CAUTION	1				
41	37002228460	PLATE,NAME (BLUE & BLACK)	2				
42	37002228470	PLATE,NAME (WHITE & WHITE)	2				

CLICK HERE TO **DOWNLOAD** THE COMPLETE MANUAL

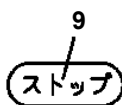
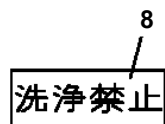
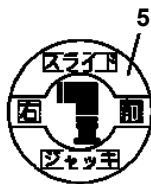
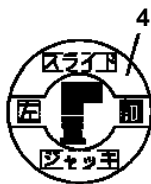
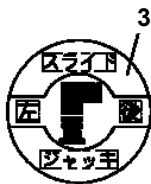
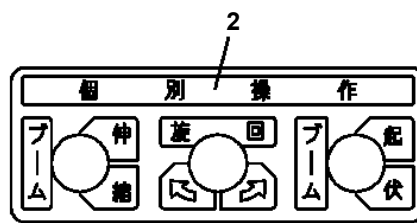
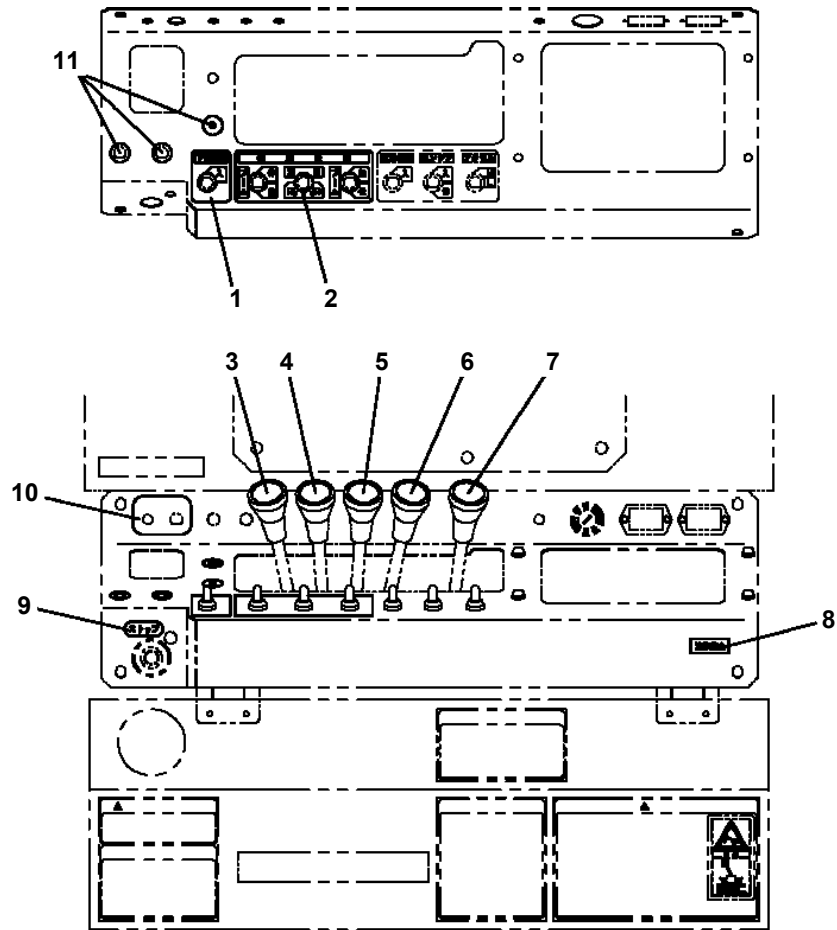
- Thank you very much for reading the preview of the manual.
- You can download the complete manual from: [www.heydownloads.com](http://www.heydownloads.com) by clicking the link below



- Please note: If there is no response to CLICKING the link, please download this PDF first and then click on it.

CLICK HERE TO **DOWNLOAD** THE COMPLETE MANUAL

AT-146-4A 43011831440 UPPER, LOWER, HINO 2KG-XZU600F-TKFSE6  
 PN5012330-00 NAME PLATE ASSY (OUTRIGGER CONTROLS)



**AT-146-4A 43011831440 UPPER, LOWER, HINO 2KG-XZU600F-TKFSE6**

Pos No.	Parts No	Parts Name	Qty	Unit	Technical Data	Serial No (Start)	Serial
1	(*****)	PLATE ASSY,NAME (VEHICLE HEIGHT 3.4M)	1				
2	(*****)	PLATE ASSY,NAME (ANTENNA)	1				
3	(*****)	PLATE ASSY,NAME (LOADING CAPACITY 400KG)	1				
11	(*****)	NAME PLATE ASSY (TELEMATICS)	1				
12	(*****)	NAME PLATE ASSY (CAUTION FOR COLLISION)	1				

# AT-146-4A 43011831440 UPPER, LOWER, HINO 2KG-XZU600F-TKFSE6

Pos No.	Parts No	Parts Name	Qty	Unit	Technical Data	Serial No (Start)	Serial No (End)
1	(*****)	PLATE,NAME (LIVE-LINE WORKING DEVICE)	1				

# AT-146-4A 43011831440 UPPER, LOWER, HINO 2KG-XZU600F-TKFSE6

Pos No.	Parts No	Parts Name	Qty	Unit	Technical Data	Serial No (Start)	Serial No (End)	Remarks
1	42333573101	PANEL	1					
2	90183106015	BOLT	3		M6X15			
3	37000568730	PLATE	N		T=1.5			
6	42333574300	LEVER	1					
7	42333574350	LEVER	1					
8	42333574400	LEVER	1					
10	31320020010	KNOB (BLACK)	6					
11	42333573601	PLATE	1					
12	37000162660	PIN	1					
13	80720104020	PIN,SPRING	2		4X20			
14	36638500000	VALVE,MANUAL CONTROL	1					
15	90172108025	BOLT,HEXAGON SOCKET	3		M8X25			
16	37000105610	PIN	6		L=18			
17	80136320010	PIN,SPLIT	6		2X10			
18	42332151010	SUPPORT	2					
19	90101206016	BOLT	1		M6X16			
20	90302040601	WASHER,SPRING	8		6			
21	42332673700	SUPPORT	1					
22	90201200600	NUT	7		M6			
23	90303070601	WASHER,PLAIN	8		6			
24	90183106020	BOLT	9		M6X20			
25	42333573701	PLATE	1					
26	42333573801	ROD	6					
27	42333573900	PLATE	2					
28	42333574100	PLATE	2					
29	82467300105	PLUG	4					
30	82467300103	PLUG	3					
31	82467300101	PLUG	2					
32	82467300112	PLUG	1					
33	42333574201	LEVER	1					
34	42333574251	LEVER	1					
35	42333574501	LEVER	1					

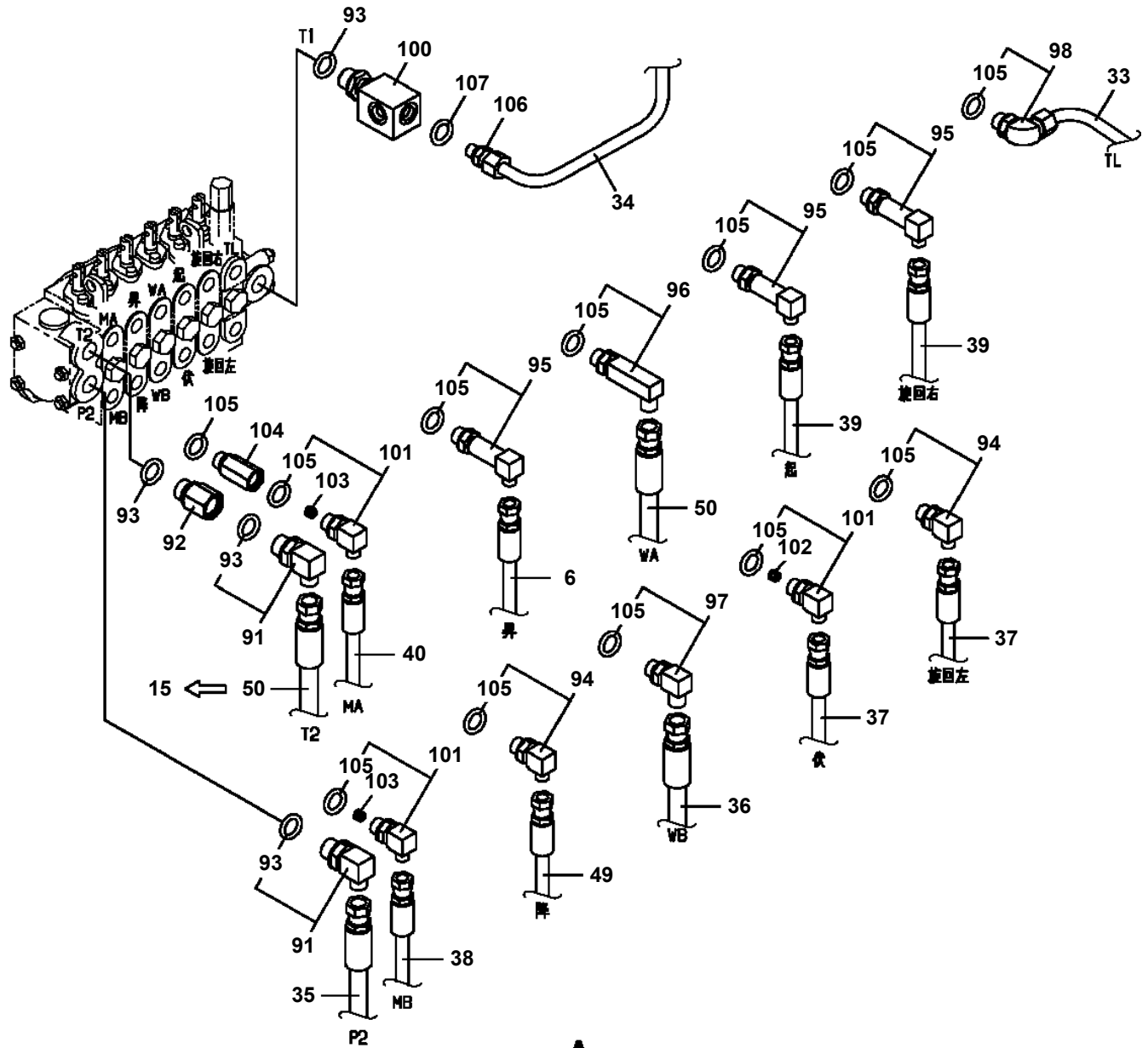
# AT-146-4A 43011831440 UPPER, LOWER, HINO 2KG-XZU600F-TKFSE6

Pos No.	Parts No	Parts Name	Qty	Unit	Technical Data	Serial No (Start)	Serial No (End)	Remarks
1	42615131000	CASE ASSY,INNER (REAR)	2					
2	42615120500	PLATE,SLIDE	4					
3	42615120100	PLATE	4					
4	31611640150	SPRING	2					
5	90171108016	BOLT	4		M8X16			
6	37000504780	PLATE	10		T=0.6			
7	90302041001	WASHER,SPRING	36		10			
12	82401800080	PLUG (FOR M8)	7					
14	42614050020	PLATE,SLIDE	2					
15	37001510810	BOLT	4		M8X25			
16	42615050100	PLATE	4					
17	42615120400	PLATE	12					
18	37000581940	PLATE	32		T=0.5			
19	37000506590	PLATE	40		T=1.6			
21	37002011280	PLATE,SLIDE	12		T=9.5			
22	90101208012	BOLT	4		M8X12			
23	90302040801	WASHER,SPRING	4		8			
24	37000575240	PLATE	2		T=3			
25	37000178190	PIN	2					
26	90171110016	BOLT	12		M10X16			
27	90171110020	BOLT	24		M10X20			

**AT-146-4A 43011831440 UPPER, LOWER, HINO 2KG-XZU600F-TKFSE6**

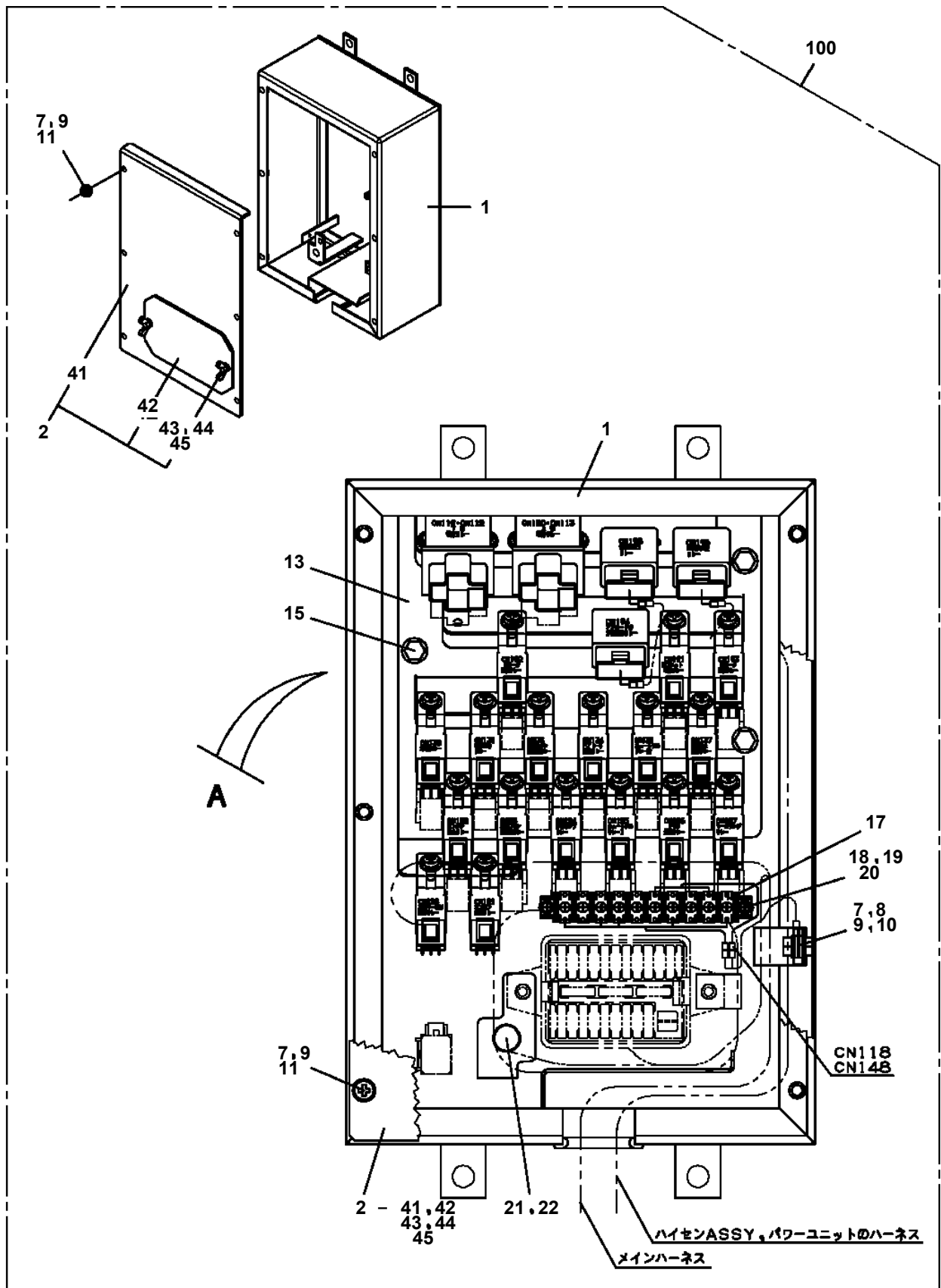
Pos No.	Parts No	Parts Name	Qty	Unit	Technical Data	Serial No (Start)	Serial No (End)	Remark
1	37004100040	PUMP,GREASE (DOMESTIC)	1					

AT-146-4A 43011831440 UPPER, LOWER, HINO 2KG-XZU600F-TKFSE6  
PP6080014-02 PIPING ASSY, BUCKET

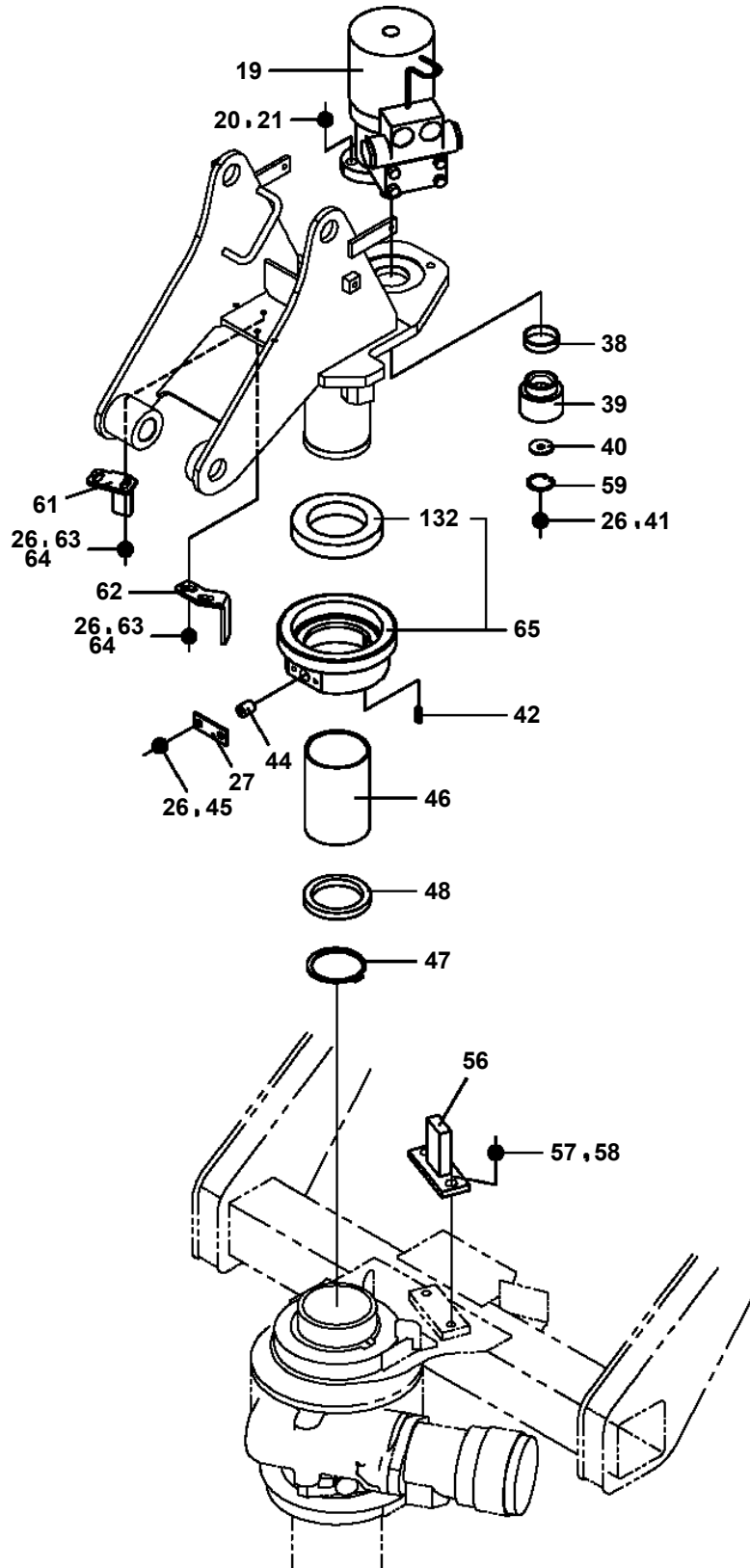




AT-146-4A 43011831440 UPPER, LOWER, HINO 2KG-XZU600F-TKFSE6  
 PR5100114-00 RELAY BOX ASSY



AT-146-4A 43011831440 UPPER, LOWER, HINO 2KG-XZU600F-TKFSE6  
PS5420420-00 SUPPORT ASSY



# AT-146-4A 43011831440 UPPER, LOWER, HINO 2KG-XZU600F-TKFSE6

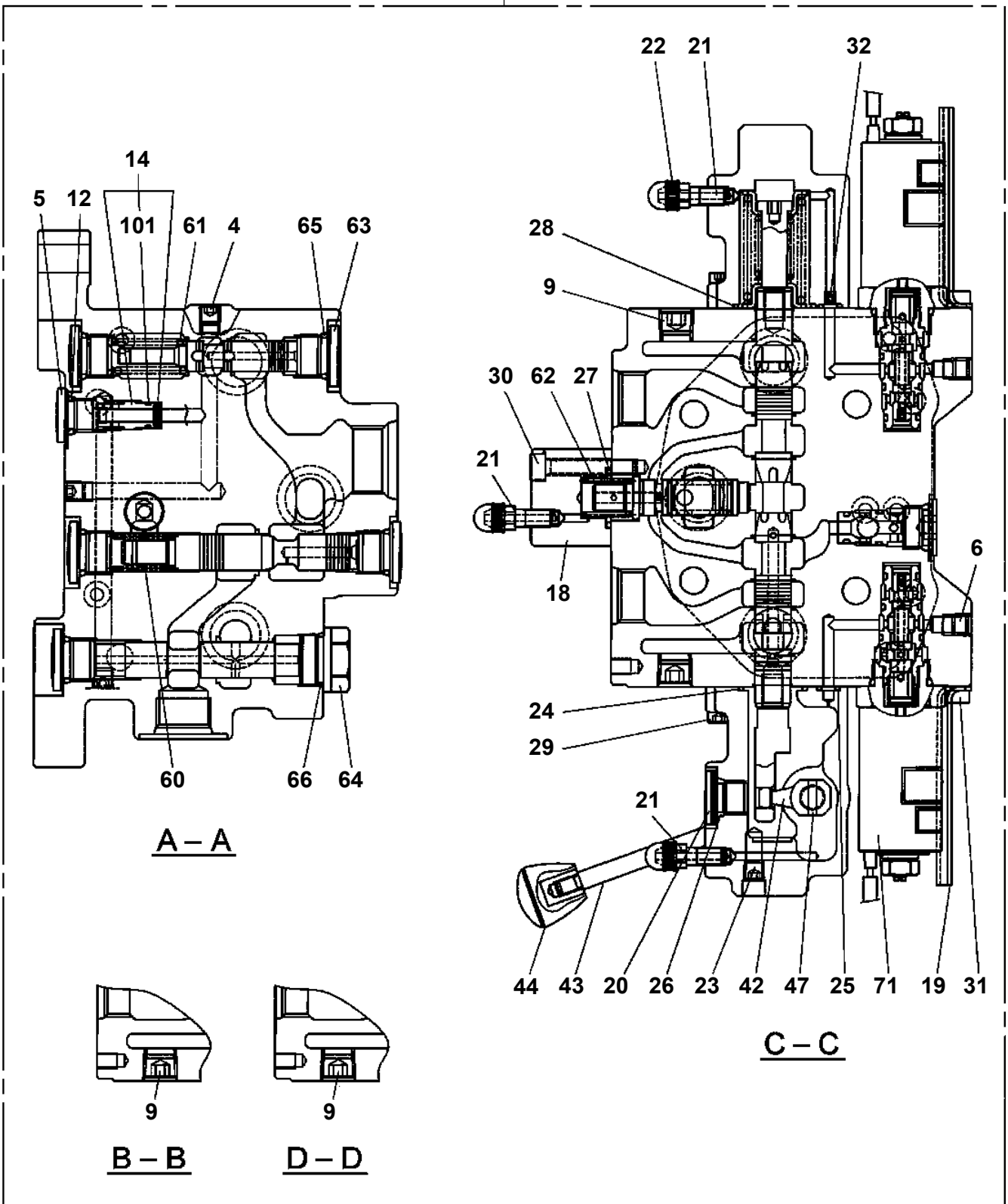
Pos No.	Parts No	Parts Name	Qty	Unit	Technical Data	Se
1	82109833232	SWITCH	1			
2	82100002220	CABLE	4	M		
3	82100002173	CONNECTOR	1			
50	42509160000	SWITCH ASSY (ELEC.BOOSTER, REMOTE:3M,NANABOSI,KASUGA)	1			

# AT-146-4A 43011831440 UPPER, LOWER, HINO 2KG-XZU600F-TKFSE6

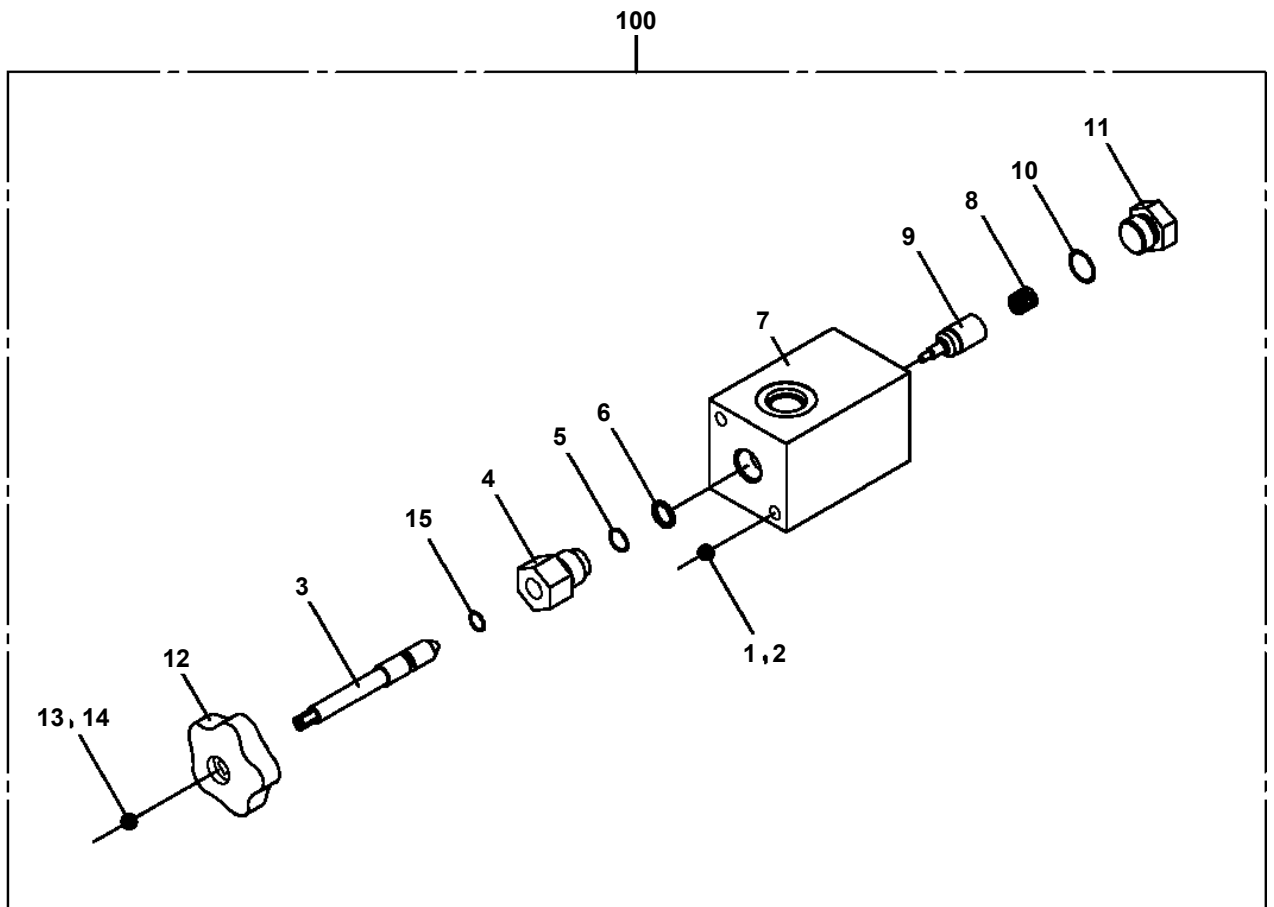
Pos No.	Parts No	Parts Name	Qty	Unit	Technical Data	Serial No (Start)	Serial No (End)	Remarks
1	42511550100	HARNESS	1					
2	42358030100	LAMP ASSY	1					
3	42511550010	PLATE,NAME (ON/OFF)	1					
4	42331782110	PLATE,NAME	1					
5	42394783020	PLATE,NAME	1					
6	82114101020	CONNECTOR (2P,MALE)	1					
7	82121102020	HOLDER	1					
8	42738081100	SWITCH ASSY	1					
9	82199541810	CAP	1					
10	82199504181	WASHER,PLAIN	1					
11	82199504017	NUT	1		AT-401N			
12	91810130240	FASTENER	5					

AT-146-4A 43011831440 UPPER, LOWER, HINO 2KG-XZU600F-TKFSE6  
PV5060025-00 VALVE ASSY,CONTROL

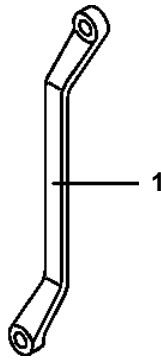
500



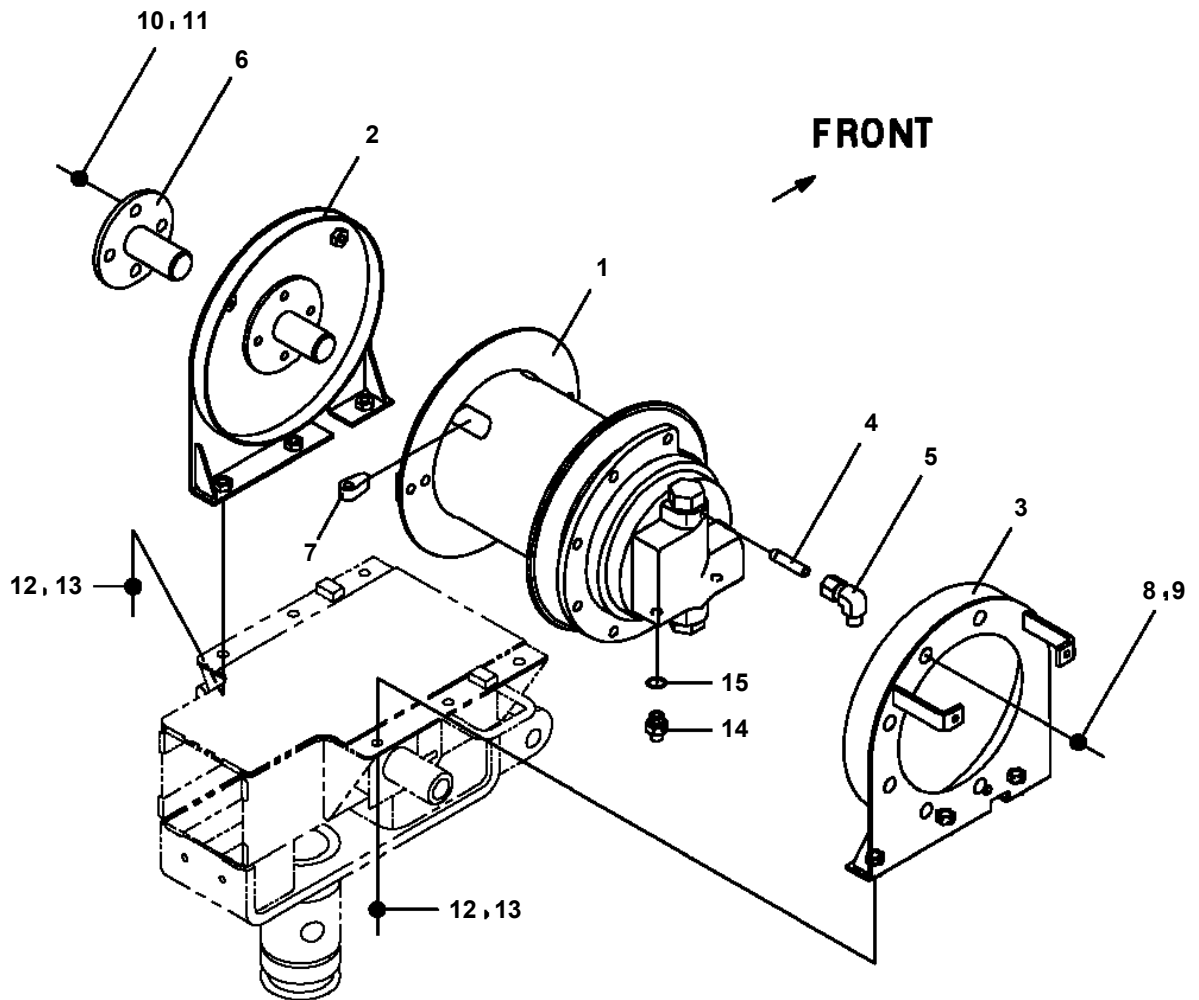
AT-146-4A 43011831440 UPPER, LOWER, HINO 2KG-XZU600F-TKFSE6  
PV5170018-00 VALVE ASSY,SELECTOR



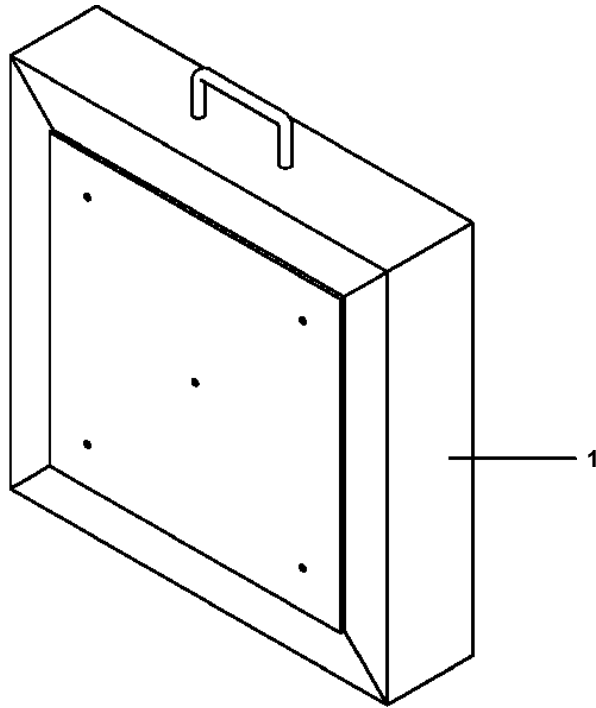
**AT-146-4A 43011831440 UPPER, LOWER, HINO 2KG-XZU600F-TKFSE6  
PW1010381-00 ACCESSORIES (WRENCH)**



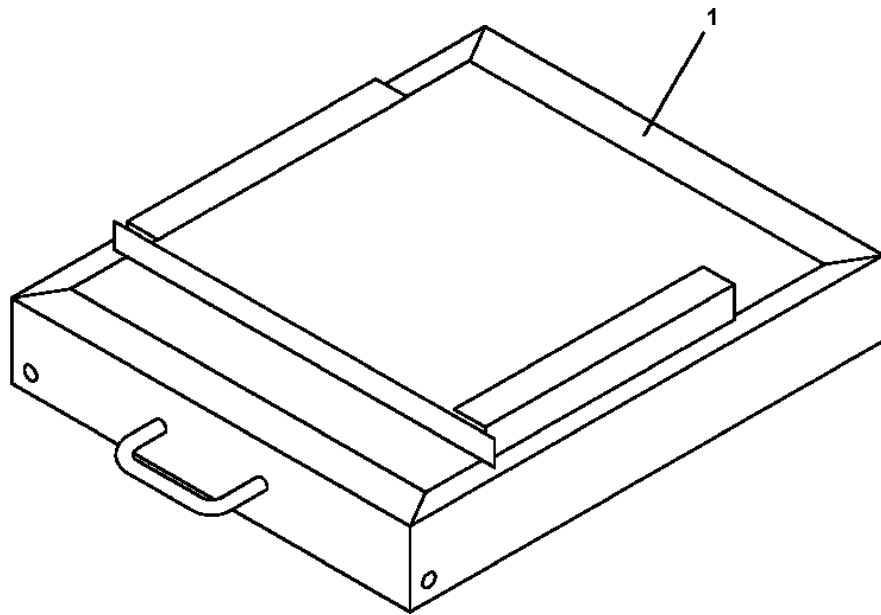
**AT-146-4A 43011831440 UPPER, LOWER, HINO 2KG-XZU600F-TKFSE6  
PW5060088-00 WINCH ASSY**



AT-146-4A 43011831440 UPPER, LOWER, HINO 2KG-XZU600F-TKFSE6  
PX1270075-01 WOOD BLOCK (WITH RUBBER,T=80)



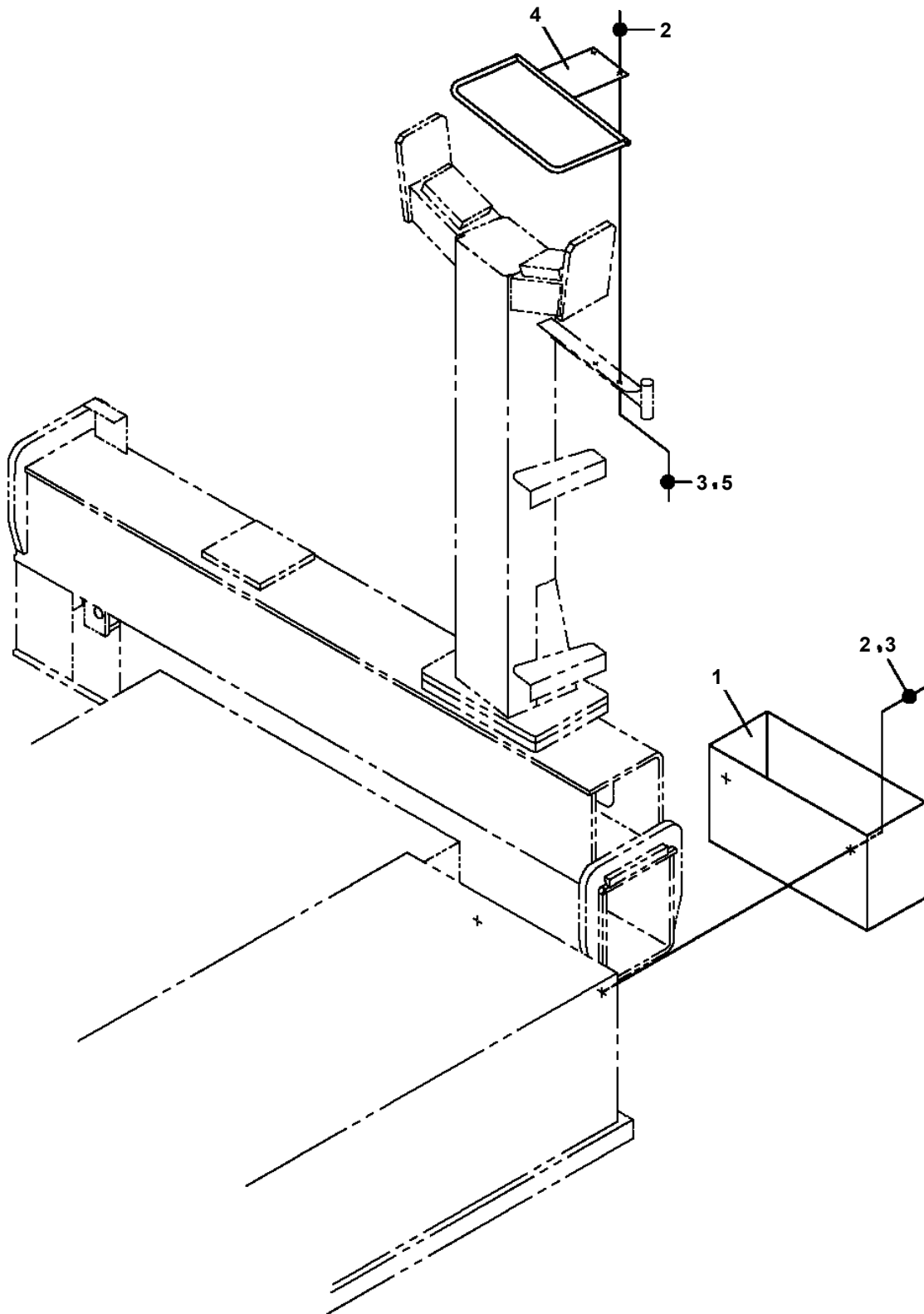
AT-146-4A 43011831440 UPPER, LOWER, HINO 2KG-XZU600F-TKFSE6  
PX1270162-00 WOOD BLOCK (KANSAI DENRYOKU/DETACHABLE)



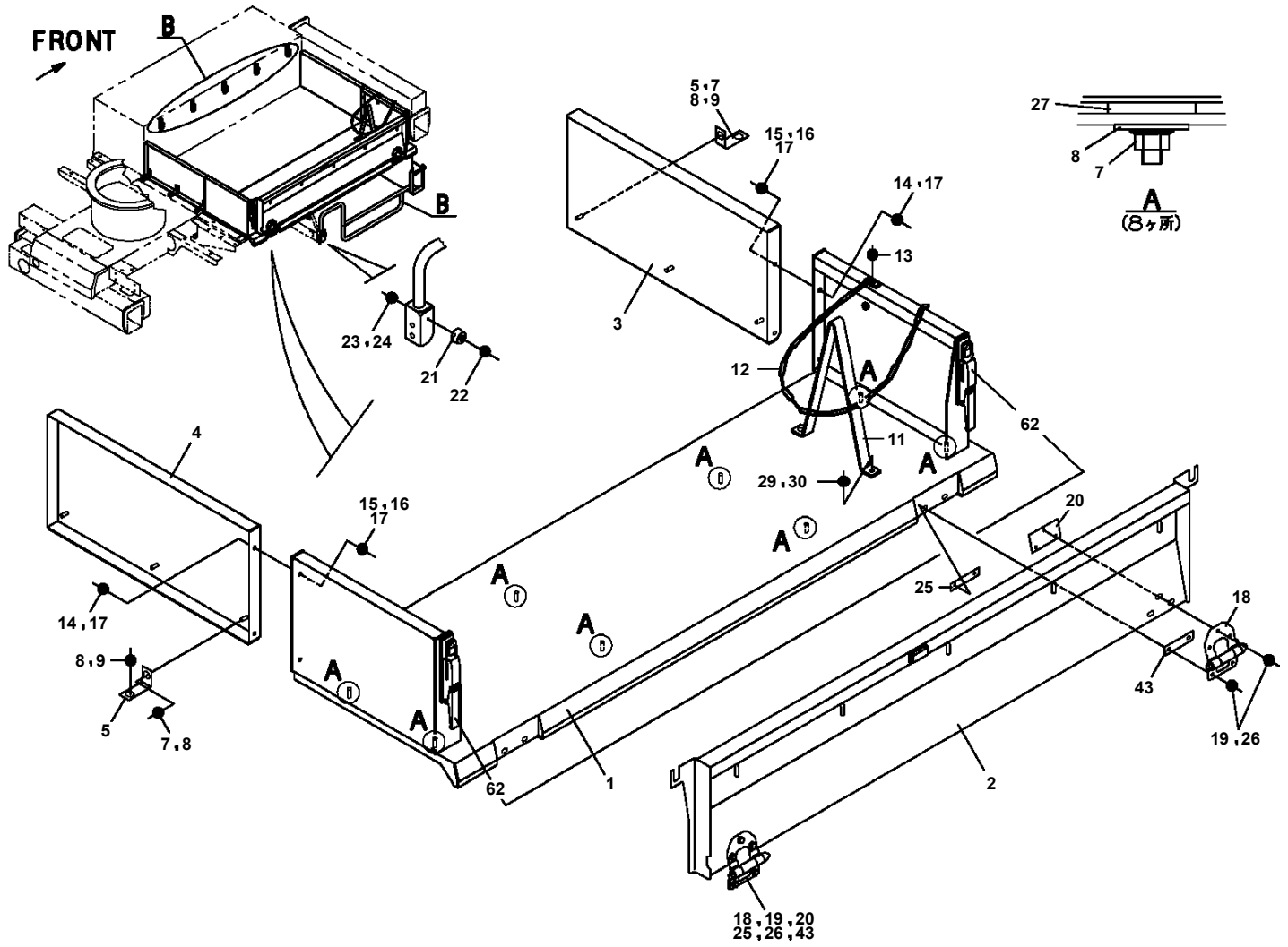
# AT-146-4A 43011831440 UPPER, LOWER, HINO 2KG-XZU600F-TKFSE6

Pos No.	Parts No	Parts Name	Qty	Unit	Technical Data	Serial No (Start)	Serial No (End)	R
2	42834567520	COVER	1					
3	42834567530	SEAT	1		T=1.3		229707	
4	42834567540	CUSHION (WITH TAPE)	1					
5	42834567550	RUBBER (WITH TAPE)	3				229707	
	42834567550	RUBBER (WITH TAPE)	2			229708		
6	42834447530	PLATE	6					
7	42834057550	HANDLE	1					
8	82466115200	CATCH	1					
9	42833867750	HINGE	3					
10	82464046120	GAS SPRING	2					
11	42832907610	BRACKET (FOR GAS SPRING)	4					
12	42834837700	SCREW,MACHINE	2		M4X8			
13	42834917550	SCREW,MACHINE (SEMS)	2		M4X12			
14	42835247520	SCREW,MACHINE (WITH SW,NUT)	2		M4X10			
15	42834917570	SCREW,MACHINE (SEMS)	18		M5X14			
16	42834917580	SCREW,MACHINE (SEMS)	4		M4X16			
17	42835247530	SCREW,MACHINE (WITH SW,NUT)	4		M4X14			
18	42834567560	MAT	1			229708		
100	42834561000	BOX,TOOL	1					

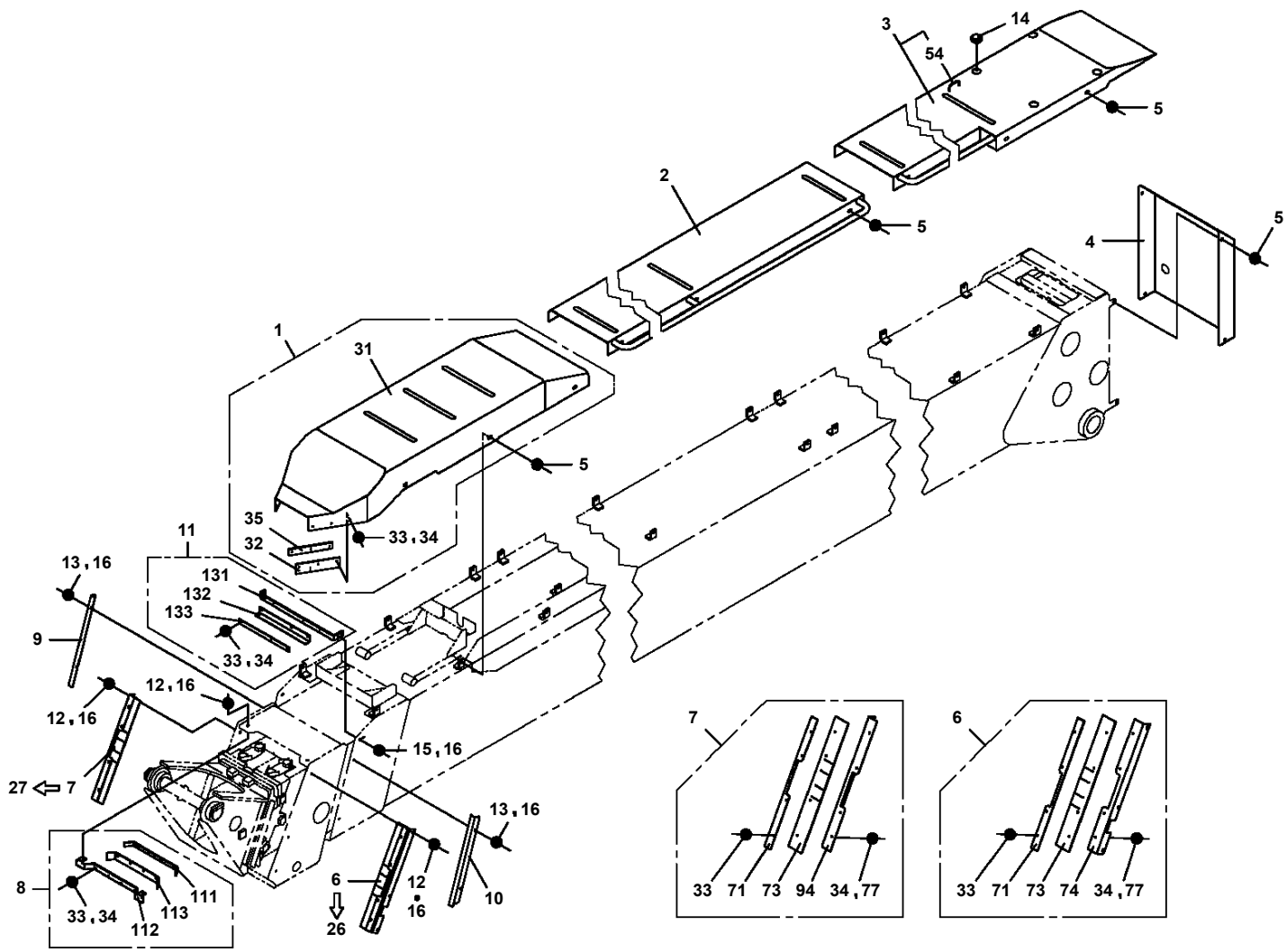
AT-146-4A 43011831440 UPPER, LOWER, HINO 2KG-XZU600F-TKFSE6  
PX1620033-00 MOUNT,COLOR CONE SUPPORT



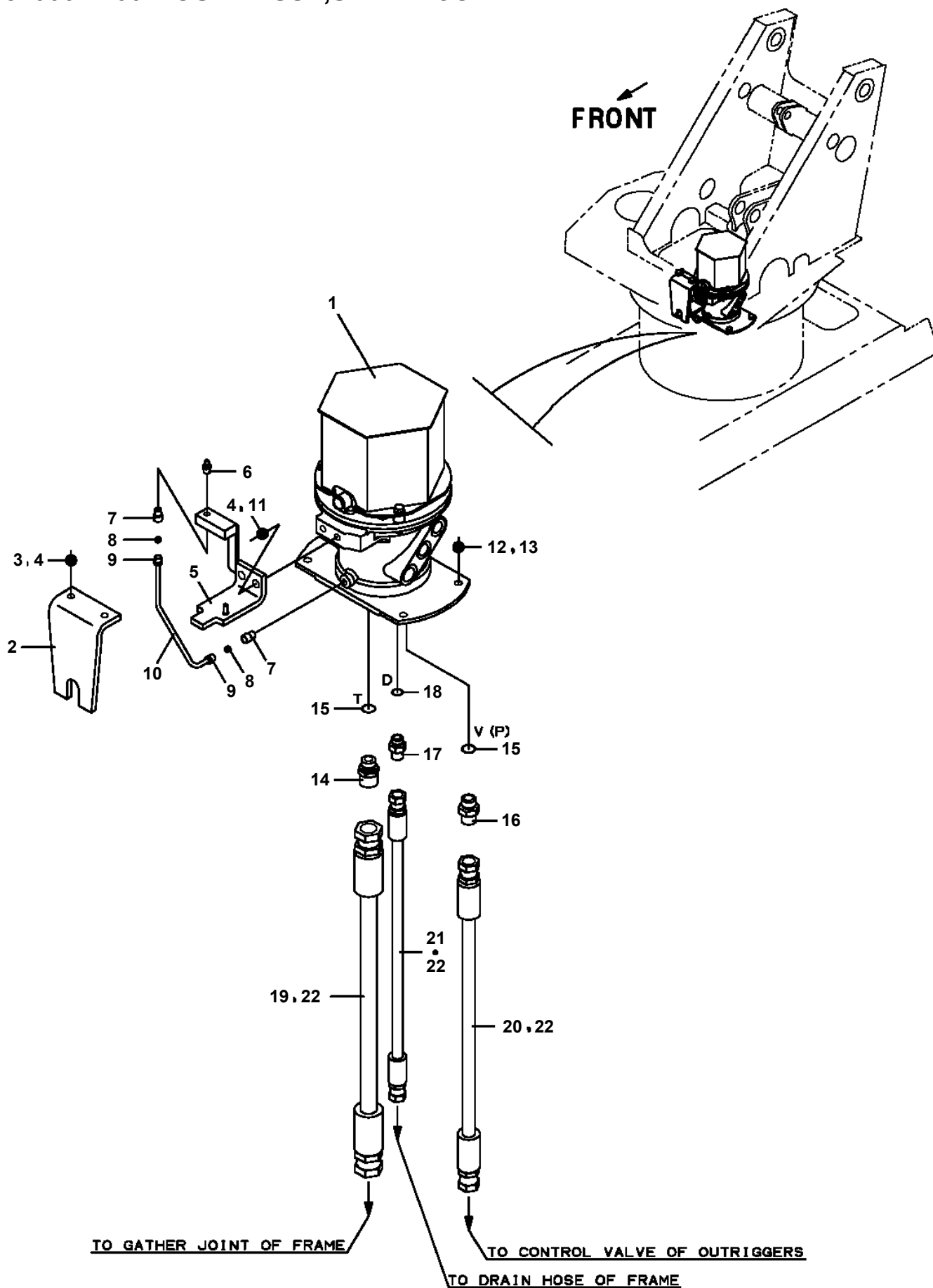
AT-146-4A 43011831440 UPPER, LOWER, HINO 2KG-XZU600F-TKFSE6  
PX5010484-02 MOUNT ASSY (GATE)



AT-146-4A 43011831440 UPPER, LOWER, HINO 2KG-XZU600F-TKFSE6  
PX5260027-01 MOUNT ASSY,COVER (BOOM)



**AT-146-4A 43011831440 UPPER, LOWER, HINO 2KG-XZU600F-TKFSE6  
PX5730012-00 MOUNT ASSY, SWIVEL JOINT**



**AT-146-4A 43011831440 UPPER, LOWER, HINO 2KG-XZU600F-TKFSE6  
PX5780631-00 MOUNT ASSY, TOOL BOX (LEFT/FRONT:3-DECK, REAR:1-DECK)**

マウントASSY, ツールボックス (LEFT/FRONT:3デック, リヤ:1デック)  
MOUNT ASSY, TOOL BOX (LEFT/FRONT:3-DECK, REAR:1-DECK)

中電工向け仕様 いすゞPPNL T&日野19MY対応  
左前:3段工具箱(地盤確認SW取付座付)・左後:1段工具箱

符号	日本語名称	英語名称	備考
1	マウントASSY, ツールボックス	MOUNT ASSY, TOOL BOX	左前3段工具箱(地盤確認SW取付座付)
2	マウントASSY, ツールボックス	MOUNT ASSY, TOOL BOX	左後1段工具箱+後方乗込用テスリ

適用製造番号によっては取り付けがないものもあります。

MACHINES OF SOME SERIAL NO. ARE NOT EQUIPPED WITH THESE PARTS.

# AT-146-4A 43011831440 UPPER, LOWER, HINO 2KG-XZU600F-TKFSE6

Pos No.	Parts No	Parts Name	Qty	Unit	Technical Data	Serial No (Start)	Serial No (End)	R
1	42470180000	CLAMP HEAD (IZUMI 12TON 2.5M)	1					

# AT-146-4A 43011831440 UPPER, LOWER, HINO 2KG-XZU600F-TKFSE6

Pos No.	Parts No	Parts Name	Qty	Unit	Technical Data	Serial No (Start)	Serial No
1	42472640000	CLAMP HEAD (IZUMI 8TON 3.5M ELECTRIC)	1				

**AT-146-4A 43011831440 UPPER, LOWER, HINO 2KG-XZU600F-TKFSE6**

Pos No.	Parts No	Parts Name	Qty	Unit	Technical Data	Serial No (Start)	Serial No (End)
1	42470330000	ROPE (SAFETY,YELLOW:TD-TYPE)	1				

**AT-146-4A 43011831440 UPPER, LOWER, HINO 2KG-XZU600F-TKFSE6**

Pos No.	Parts No	Parts Name	Qty	Unit	Technical Data	Serial No (Start)	Serial No (End)	Remarks	Pages
1	42470121000	ARM ASSY	1						
2	42470421000	HOLDER	3						
3	42470123000	CLAMP ASSY	1						
4	42470044000	HOT STICK	1						
5	42475751001	SUPPORT	1						
6	90101216150	BOLT	1		M16X150				
7	90303071601	WASHER,PLAIN	2		16				
8	90201201600	NUT	2		M16				
9	42220011200	SUPPORT	1						
21	42470121100	ARM	1						
22	42470121200	CAP	2						

**AT-146-4A 43011831440 UPPER, LOWER, HINO 2KG-XZU600F-TKFSE6**

Pos No.	Parts No	Parts Name	Qty	Unit	Technical Data	Serial No (Start)	Serial No (End)	Remarks	Pages
1	42470121000	ARM ASSY	1						
2	42471231000	HOLDER	3						
3	42470123000	CLAMP ASSY	1						
5	42476851000	SUPPORT	1						
6	90101216130	BOLT	1		M16X130				
7	90303071601	WASHER,PLAIN	2		16				
8	90201201600	NUT	2		M16				
9	42220011200	SUPPORT	1						
31	42470121100	ARM	1						
32	42470121200	CAP	2						

# AT-146-4A 43011831440 UPPER, LOWER, HINO 2KG-XZU600F-TKFSE6

Pos No.	Parts No	Parts Name	Qty	Unit	Technical Data	Serial No (Start)	Serial No (E
5	80456210600	JOINT,SELF SEALING	1				
6	80456240600	JOINT,SELF SEALING (WITH DUST CAP)	1				
11	42471437520	CAP	1				
30	42471080000	HOSE,BOOSTER (MAIL-FEMALE,3M)	1				

**AT-146-4A 43011831440 UPPER, LOWER, HINO 2KG-XZU600F-TKFSE6**

Pos No.	Parts No	Parts Name	Qty	Unit	Technical Data	Serial No (Start)	Serial No
1	80456210600	JOINT,SELF SEALING	1				
2	42471807510	HOSE ASSY	1		2M		
3	42470362100	JOINT,SELF SEALING	1				
4	42471807520	HOSE,AIR	1		2M		
5	42470362200	PUMP	1				
6	80456240600	JOINT,SELF SEALING (WITH DUST CAP)	1				
7	42470367840	TUBE	2		25X0.15M		
8	42470367780	JOINT	1				
21	42471437520	CAP	1				
50	42471800000	HOSE,BOOSTER (WITH AIR BALLOON,2M)	1				

**AT-146-4A 43011831440 UPPER, LOWER, HINO 2KG-XZU600F-TKFSE6**

Pos No.	Parts No	Parts Name	Qty	Unit	Technical Data	Serial No (Start)	Serial No (End)
1	42472191000	WRENCH,IMPACT	1				
2	80460003080	JOINT	2		S,G3/8-3/4-16UNF		
3	37002417130	HOSE	2		L=2900		
4	91810132530	FASTENER	5				
5	80456020610	JOINT,SELF SEALING	1				
6	42340013200	JOINT,SELF SEALING (WITH CAP)	1				
11	42340017550	CAP (DUST)	1				
16	42340017510	CAP (DUST)	1				

# AT-146-4A 43011831440 UPPER, LOWER, HINO 2KG-XZU600F-TKFSE6

Pos No.	Parts No	Parts Name	Qty	Unit	Technical Data	Serial No (Start)	Serial No (End)	Remarks
1	42474160000	HANGER (FOR BUCKET)	1					

AT-146-4A 43011831440 UPPER, LOWER, HINO 2KG-XZU600F-TKFSE6  
 PY2000268-04 OPTION UNIT,2 (UPPER)

NO.	部品名称/PART NAME	備考/REMARK
54	ハンカ - HANGER	バケット用物吊り (FRP) 内吊り用
55	ツール, ホックス BOX, TOOL	バケット用物入れ (FRP), 巾460×奥行220×高290
56	ツール, ホックス BOX, TOOL	バケット用物入れ (FRP) 仕切り付, 巾370×奥行100×高140
57	ツール, ホックス BOX, TOOL	バケット用物入れ (FRP) 横穴開き, 巾460×奥行220×高290
58	ホックス, ツール BOX, TOOL	ダンパート製造工具箱
59	ステップ, バケット STEP, BUCKET	乗移り用ステップ
60	ステップ, バケット STEP, BUCKET	高さ560mm, バケットインナ用
61	ステップ, バケット STEP, BUCKET	高さ560mm, バケット両面用
62	ステップ STEP	いすゞKR用ステップ
63	カバー, ランプ COVER, LAMP	作業灯布製カバー
64	カバー, ウインチ COVER, WINCH	ユアテック向け クランプASSY (ジブアーム) 用カバー
65	カバー COVER	きんでん向け B仕様用 アオリ布カバー
66	カバー COVER	きんでん向け L仕様用 アオリ布カバー
67	カバー-ASSY COVER ASSY	AT-146-3 札幌電工用 バケット操作部カバー対応布カバー
68	サポート SUPPORT	FRPジブ後端金具一式
69	サポート SUPPORT	東京電力向け FRPジブ後端金具一式
70	サポート SUPPORT	北陸電工向け FRPジブ後端金具一式 (開閉器支持工法用)

適用製造番号によっては取り付けがないものもあります。

MACHINES OF SOME SERIAL NO. ARE NOT EQUIPPED WITH THESE PARTS.

# AT-146-4A 43011831440 UPPER, LOWER, HINO 2KG-XZU600F-TKFSE6

Pos No.	Parts No	Parts Name	Qty	Unit	Technical Data	Serial No (Start)	Serial No (End)	Rem
1	42503180000	BOX,TOOL (FOR BUCKET,FRP)	1					

**AT-146-4A 43011831440 UPPER, LOWER, HINO 2KG-XZU600F-TKFSE6**

Pos No.	Parts No	Parts Name	Qty	Unit	Technical Data	Serial No (Start)	Serial No (End)
7	36197635020	COVER	1				
10	36197635030	PANEL	2				
31	36197735020	BOARD ASSY (WITH DATA)	1				
100	36197730000	AUTOMATIC MOTION CONTROLLER	1				

# AT-146-4A 43011831440 UPPER, LOWER, HINO 2KG-XZU600F-TKFSE6

Pos No.	Parts No	Parts Name	Qty	Unit	Technical Data	Serial No (Start)	Serial No (End)	Remarks	Pages
1	82109833232	SWITCH	1						
2	82100002220	CABLE	N						
3	82116920411	CONNECTOR	1						
4	82122910100	CAP	1						

# AT-146-4A 43011831440 UPPER, LOWER, HINO 2KG-XZU600F-TKFSE6

Pos No.	Parts No	Parts Name	Qty	Unit	Technical Data	Serial No (Start)	Serial No
1	42655920100	HARNESS (MAIN)	1				
2	42655920200	HARNESS	1				
3	91810132530	FASTENER	21				
4	82100002019	CLAMP	7		WR40		
5	82108501140	SWITCH	1				
6	44430680200	BUZZER ASSY (WITH HARNESS)	1				
7	42474530100	LAMP ASSY	1				
8	90302040601	WASHER,SPRING	12		6		
9	90201200800	NUT	2		M8		
10	90302040801	WASHER,SPRING	2		8		
11	91850400601	CLAMP	24				
12	91810130240	FASTENER	33				
13	90813108020	BOLT,WING	1		M8X20		
14	90172106016	BOLT,HEXAGON SOCKET	12		M6X16		
15	36132150000	DETECTOR,OUTRIGGER LENGTH	4				
16	42655920300	CABLE	1		L=510		
17	42433330020	PLUG (2 POLES,FEMALE)	1				
18	90280200600	NUT,FLANGE	1		M6		
19	80136320012	PIN,SPLIT	4		2X12		
20	90303070601	WASHER,PLAIN	36		6		
23	90303070801	WASHER,PLAIN	1		8		
24	90280200800	NUT,FLANGE	7		M8		
41	82165904020	LAMP	1		24V 60W		
42	90101212020	BOLT	1		M12X20		
43	90302041201	WASHER,SPRING	1		12		
44	37000159530	PIN	1				
45	80620210160	PIN,SNAP	1				
61	42655202100	SWITCH ASSY	4				
62	42655201010	SUPPORT	1				
63	90101208016	BOLT	2		M8X16		
64	90302040801	WASHER,SPRING	2		8		
65	90303070801	WASHER,PLAIN	2		8		
81	42651893100	COVER	3				
82	90186206014	BOLT,FLANGE	6		M6X14		
83	90101206014	BOLT	6		M6X14		
84	90302040601	WASHER,SPRING	6		6		
85	90303070601	WASHER,PLAIN	6		6		
87	42655202010	SUPPORT	3				
101	82100000054	BULB,LAMP	1		24V 60W		
119	82100002838	SWITCH ASSY (WITH HARNESS,TERMINAL)	1				

CLICK HERE TO **DOWNLOAD** THE COMPLETE MANUAL

- Thank you very much for reading the preview of the manual.
- You can download the complete manual from: [www.heydownloads.com](http://www.heydownloads.com) by clicking the link below



- Please note: If there is no response to CLICKING the link, please download this PDF first and then click on it.

CLICK HERE TO **DOWNLOAD** THE COMPLETE MANUAL