

AT-146-3 43011100027 UPPER

**PD2000204-01 SWING UNIT
PF1000637-00 WINCH SYSTEM
PG2000297-00 BOOM UNIT
PH1000550-00 SAFETY DEVICES (MOTION CONTROLLER)
PJ3000515-00 BUCKET SYSTEM
PJ5000003-00 BOOSTER UNIT
PK2001159-00 FRAME UNIT
PO1000171-00 INDICATION PLATES
PW1000118-00 ACCESSORIES & TOOLS
PX1001124-00 MOUNTING PARTS
PY1001439-00 OPTIONS
ASSEMBLY**

CLICK HERE TO **DOWNLOAD** THE COMPLETE MANUAL

- Thank you very much for reading the preview of the manual.
- You can download the complete manual from: www.heydownloads.com by clicking the link below



- Please note: If there is no response to CLICKING the link, please download this PDF first and then click on it.

CLICK HERE TO **DOWNLOAD** THE COMPLETE MANUAL

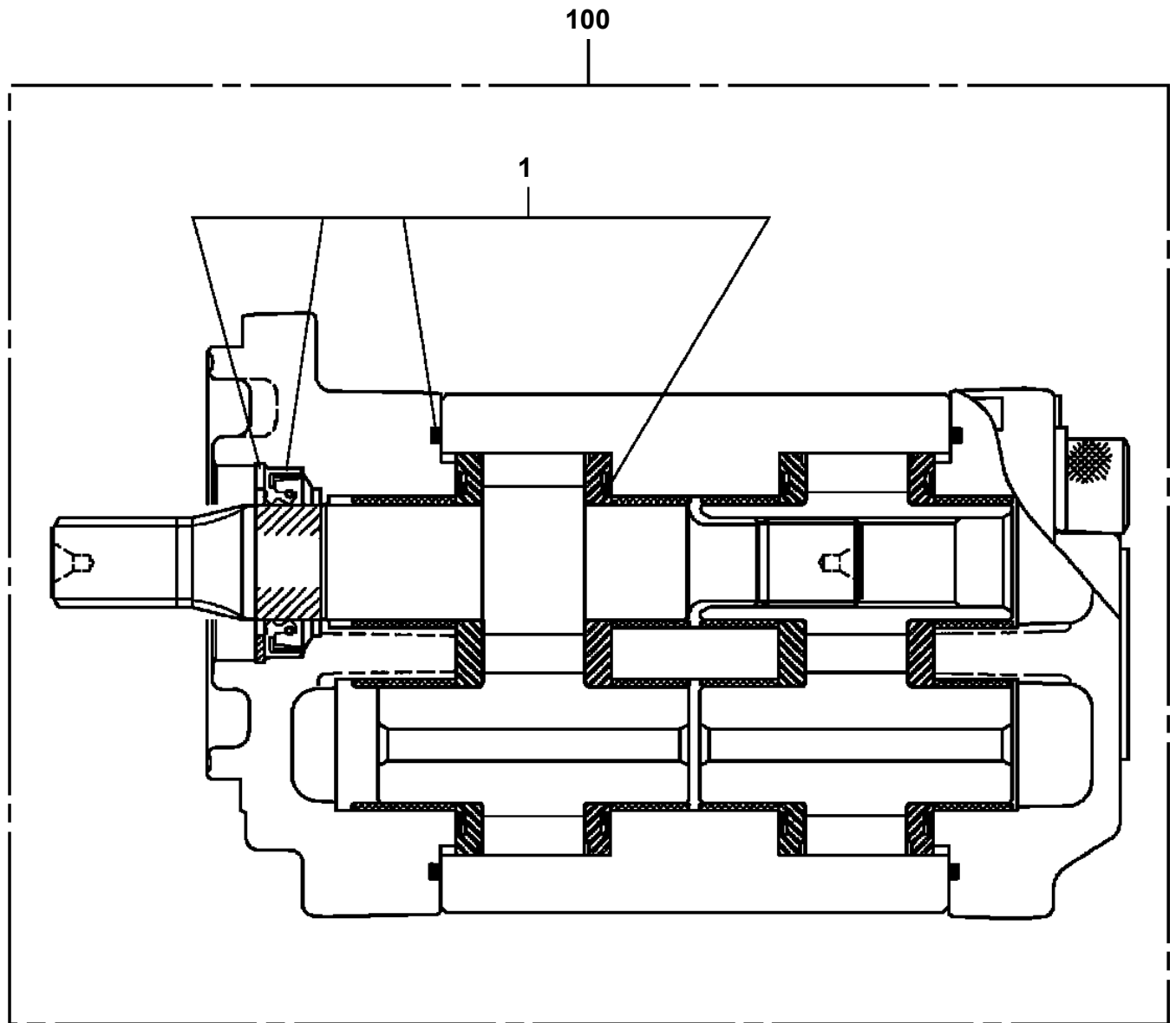
AT-146-3 43011100027 UPPER

Pos No.	Parts No	Parts Name	Qty	Unit	Technical Data	Serial No (Start)	Serial No
1	(*****)	FRAME	1				228521
	(*****)	BUCKET FRAME ASSY	1			228522	228597
	(*****)	BUCKET FRAME ASSY	1			228598	
2	(*****)	PIPING,BUCKET	1				228521
	(*****)	PIPING ASSY,BUCKET	1			228522	228597
	(*****)	PIPING ASSY,BUCKET	1			228598	
3	(*****)	ELEC.ASSY (BUCKET)	1				228521
	(*****)	ELEC.ASSY,BUCKET	1			228522	
4	(*****)	OPE.ASSY	1				
11	42267241000	BUCKET	1				
12	(*****)	BUCKET (INNER CASE)	1				
13	(*****)	COVER (BUCKET,FRP,WHITE/INTER LOCK)	1				
14	(*****)	COVER,BOOM (TOP/FRP,WHITE)	1				
15	42267244000	COVER (CLOTH,WHITE)	1				
16	(*****)	ACCESSORIES (BUCKET INNER MAT)	1				

AT-146-3 43011100027 UPPER

Pos No.	Parts No	Parts Name	Qty	Unit	Technical Data	Serial No (Start)	Serial No (
1	(*****)	BOX, TOOL (RIGHT/F:2-DECKER,R:NONE)	1				
2	(*****)	BOX, TOOL (LEFT/F:2-DECKER,R:1-DECKER)	1				
21	(*****)	EARTHING DEVICE (8X20M,TOP CLIP)	1				228267
	(*****)	EARTHING DEVICE	1			228268	

AT-146-3 43011100027 UPPER
PB1100358-00 PUMP, HYDRAULIC



AT-146-3 4301110027 UPPER

Pos No.	Parts No	Parts Name	Qty	Unit	Technical Data	Serial No (Start)	Serial No (End)	Remarks	Pages
1	42630890000	JOINT,ROTARY	1						000016
2	90171110025	BOLT	4		M10X25				
3	90302041001	WASHER,SPRING	4		10				
4	42443110100	SUPPORT	1						
5	90171112030	BOLT	2		M12X30				
6	90302041201	WASHER,SPRING	4		12				
7	42443110202	SUPPORT	1						
8	90171112025	BOLT	2		M12X25				
9	80481004060	JOINT	1		S G3/4-G1/2				
10	91002801800	O-RING	2		1B P18				
11	80400160131	JOINT	1						
12	80400160129	JOINT	1						
13	91002801400	O-RING	1		1B P14				
14	37002483810	HOSE	1		L=780				
15	37002417580	HOSE	1		L=600				
16	37002434090	HOSE	1		L=550				
17	82100001413	TUBE,SPIRAL	N		SE-15BK				

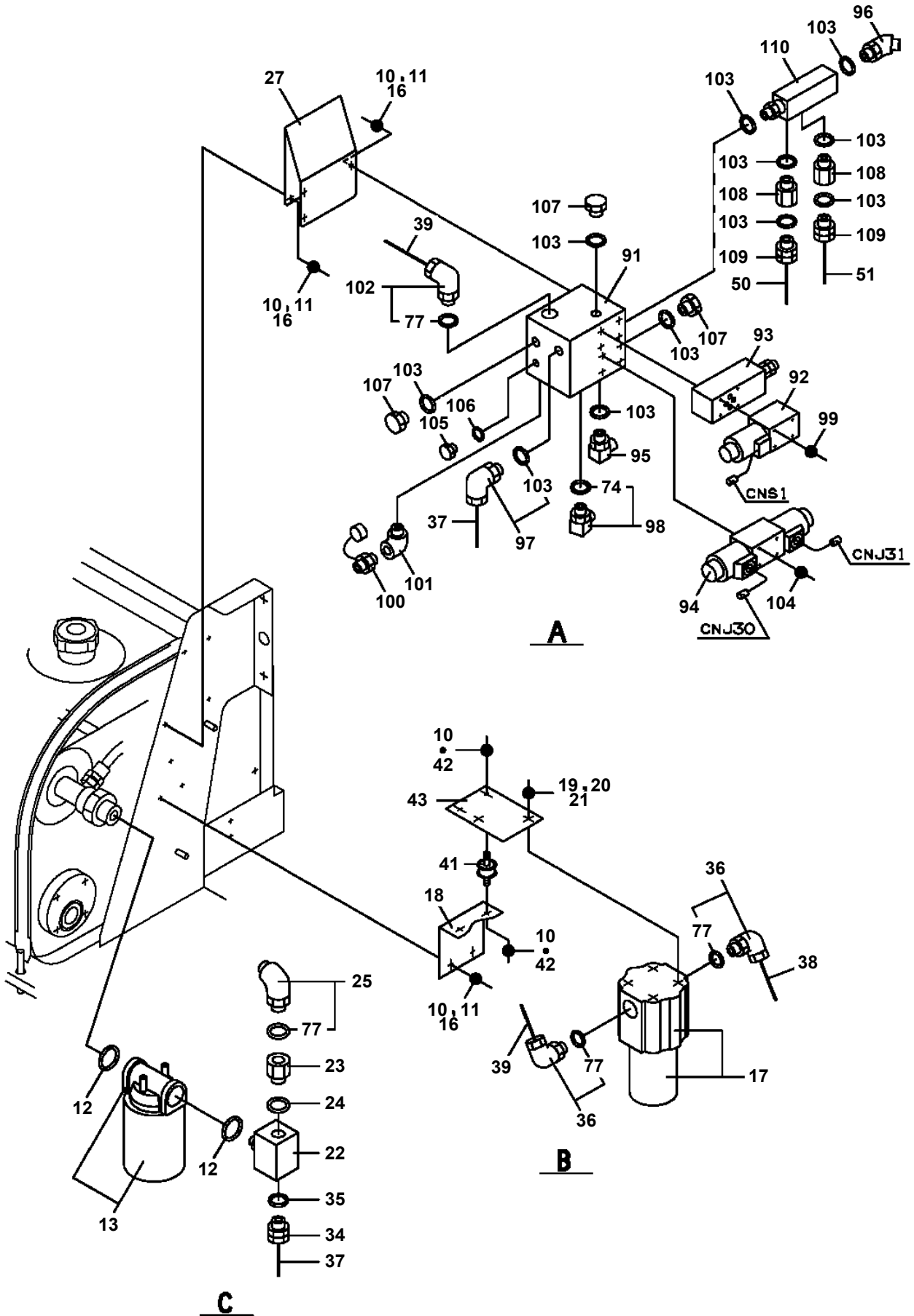
AT-146-3 4301110027 UPPER

Pos No.	Parts No	Parts Name	Qty	Unit	Technical Data	Serial No (Start)	Serial No (End)
2	36634515010	PLUG ASSY	1				
3	36636425090	BOLT	4		L=235		
4	36638475010	VALVE,CONTROL	1				
5	36637855020	VALVE,CONTROL	1				
6	36636415020	VALVE,CONTROL (WINCH)	1				
7	36636435050	VALVE,CONTROL (ATTACHMENT)	1				
8	36634365090	VALVE,RELIEF	1				229353
11	36638505010	VALVE ASSY,RELIEF	1			229354	
24	91002905500	O-RING	5		1B G55		
32	91000501500	O-RING	1		AS568-015		
33	91002802200	O-RING	1		1B P22		
44	36631975010	O-RING	6				
45	36634365190	WIPER,DUST	8				
46	36634365200	RETAINER (SEAL)	8				
47	36636435060	VALVE,CHECK	3				
48	36635555080	SPRING	3				
49	36635045040	RETAINER (VALVE)	4				
50	91002801400	O-RING	4		1B P14		
51	12435101180	RETAINER (SEAL)	7				
52	36636435070	END,SPOOL	3				
53	12435101170	RETAINER (SPRING)	6				
54	36630045140	SPRING	3				
55	36636435080	COVER (SPRING)	2				
56	36635535150	SWITCH,PUSH	3				
57	36630045150	COVER	2				
58	90131906015	BOLT,HEXAGON SOCKET	2		M6X15		
59	90131906020	BOLT,HEXAGON SOCKET	4		M6X20		
60	90131904015	BOLT,HEXAGON SOCKET	4		M4X15		
61	90303100401	WASHER,PLAIN	5		4		
63	80172304008	SCREW,MACHINE	1		M4X8		
64	36637625030	TIE (MOUNT)	1				
65	36637625040	INSULOCK (TIE)	1				
71	36636435090	SHIM (T=0.3)	4				
72	36636435100	SHIM (T=0.5)	4				
73	36636435110	SHIM (T=0.7)	4				
85	36636435120	COVER (SPRING)	2				
87	90131906010	BOLT,HEXAGON SOCKET	2		M6X10		
94	36643175030	O-RING	2		P13		
109	90131506020	BOLT,HEXAGON SOCKET	2		M6X20		
110	90131504015	BOLT,HEXAGON SOCKET	4		M4X15		
111	90303070401	WASHER,PLAIN	2		4		
125	90131506010	BOLT,HEXAGON SOCKET	2		M6X10		
141	36636435150	SWITCH,LEAD (WITH CONNECTOR)	1				
158	90131506015	BOLT,HEXAGON SOCKET	2		M6X15		
172	13115102010	RETAINER (SEAL)	2				
173	36636435140	END,SPOOL	1				
174	80560005000	BALL,STEEL	2		5		
175	13115102030	CASE (BALL)	1				
176	13115102050	RETAINER (BALL)	1				
177	13115102040	SPRING	1				
181	90131506025	BOLT,HEXAGON SOCKET	2		M6X25		
195	91001101001	O-RING	1		1A P10A		229353
196	36634365100	RING,BACKUP	1				229353
197	19215101010	O-RING	2				229353
203	91001001600	O-RING	2		1A S16		229353
205	36634365110	RING,BACKUP	1				229353
206	91001100600	O-RING	1		1A P6		229353
211	36636435130	SWITCH,PUSH	1				
221	36636415040	SWITCH,LEAD (WINCH)	1				
300	36638480000	VALVE,MANUAL CONTROL	1				

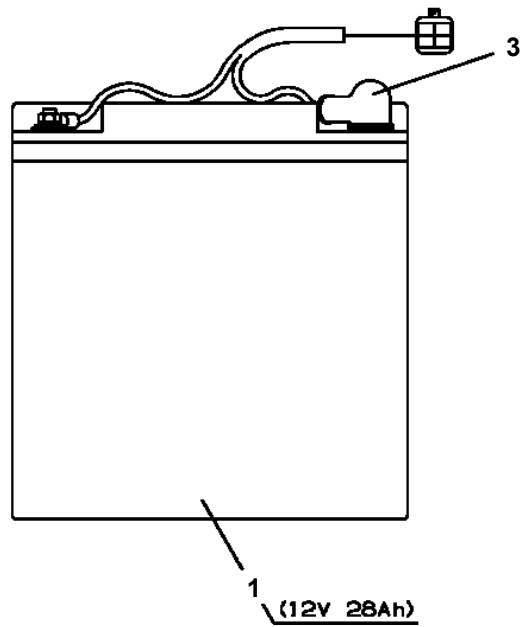
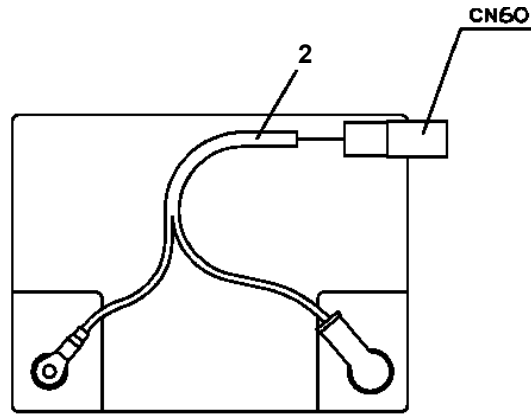
AT-146-3 4301110027 UPPER

Pos No.	Parts No	Parts Name	Qty	Unit	Technical Data	Serial No (Start)	Serial No (End)	Remarks
4	90101210035	BOLT	3		M10X35			
5	90302041001	WASHER,SPRING	7		10			
6	90101208065	BOLT	2		M8X65			
7	90302040801	WASHER,SPRING	8		8			
8	37002402610	HOSE	2		L=1980			
9	80481103030	JOINT	1		L,G3/8-G3/8			
10	37002488300	HOSE	1		L=1800		228940	
11	90101210085	BOLT	2		M10X85			
12	37002452740	HOSE	1		L=1000			
13	90101210065	BOLT	2		M10X65			
14	80441030604	FITTING,ELBOW	2					
15	37000908730	JOINT (WITH O-RING)	3		L,G3/8-G1/4			
16	37002416380	HOSE	1		L=1980			
17	37000300740	SLEEVE	1		18-12			
18	91002801800	O-RING	2		1B P18			
19	80430620400	JOINT	1					
20	37002479110	HOSE	1		L=900			
21	37002489550	HOSE	1		L=2090			
22	91002801100	O-RING	2		1B P11			
23	37002488320	HOSE	1		L=450		228940	
24	37002489560	HOSE	1		L=1600		228940	
25	37002489570	HOSE	1		L=1790		228940	
27	91810132530	FASTENER	20					
28	37002411640	HOSE	1		L=750			
29	37000714020	CLAMP ASSY	2		12X2			
30	37002489600	HOSE	1		L=1140			
31	80400160128	JOINT	1		S,G3/8-G1/4			
32	89640201000	HOSE	1		660-NFK,1M			
33	80400160131	JOINT	2					
34	91002801400	O-RING	4		1B P14			
35	37002489630	HOSE	1		L=1320			
36	80400160127	JOINT	1					
37	37002489610	HOSE	1		L=2200			
38	80400160129	JOINT	2					
39	37002411650	HOSE	1		L=850			
40	37002489580	HOSE	1		L=850			
41	37002459240	HOSE	1		L=940			
42	37000925950	JOINT	1		S,G1/4-G1/4			
43	37002488330	HOSE	1		L=470		228940	
45	82127020180	TUBE,SPIRAL	2	M				
46	37000714040	CLAMP ASSY	1		18X2			
47	37002489590	HOSE	1		L=2020			
48	82100002017	CLAMP	2		WR30			
49	90201200800	NUT	4		M8			
50	37002488310	HOSE	1		L=1670		228940	
52	42346840600	GUIDE	1					
53	42346840700	GUIDE	1					
54	37000714881	CLAMP ASSY	1					
55	37002489650	HOSE	1		L=1070			
56	37002489540	HOSE	1		L=1850			
57	37000714030	CLAMP ASSY	1		18X1			
58	82100001411	TUBE,SPIRAL	1	M	SE-08BK			
59	37000714240	CLAMP ASSY	1					
60	90101208012	BOLT	2		M8X12			
81	36741260000	VALVE,CONTROL	1					
82	80400160130	JOINT	3		S,G1/2-G3/8		228940	
	80400160130	JOINT	1		S,G1/2-G3/8	228941		
83	80400160176	JOINT	4		S,G1/2-1/4		228940	
84	91002801800	O-RING	7		1B P18		228940	
	91002801800	O-RING	2		1B P18			
	91002801800	O-RING	10		1B P18	228941		
85	37000925660	JOINT	1		S,G3/4-G1/2			
86	91002802400	O-RING	2		1B P24			

**AT-146-3 43011100027 UPPER
PB1411973-01 PIPING,LOWER (TANK)**



**AT-146-3 43011100027 UPPER
PB5060002-00 BATTERY ASSY (12V28AH/PANASONIC)**



AT-146-3 4301110027 UPPER

Pos No.	Parts No	Parts Name	Qty	Unit	Technical Data	Serial No (Start)
1	36663410001	MOTOR ASSY,OIL	1			
2	90172112030	BOLT,HEXAGON SOCKET	2		M12X30	
3	90309341203	WASHER,SPRING	2		12	
4	36340380000	REDUCER,SWING SPEED	1			
5	80582012001	CAM FOLLOWER	4			
6	37002019140	PLATE,SLIDE	4			
7	37000587120	PLATE	4			
8	90302042001	WASHER,SPRING	4		20	
9	90171110025	BOLT	4		M10X25	
	90171110025	BOLT	3		M10X25	229000
10	90201781000	NUT	4		M10	
11	80601111000	RING,RETAINING	1		S100	
12	42267120400	SPACER	1			
13	42267120200	PIN	1			
14	42267120111	PLATE	1		T=9	
15	37000582110	PLATE	1			
16	90180206012	BOLT,BUTTON	2		M6X12	
17	90302040601	WASHER,SPRING	2		6	
18	42267120300	SPACER	1			
19	42265980010	PIN	1			
20	82455106000	NIPPLE,GREASE	1		A-M6F FE	
21	82400000459	CAP	1			
22	80136363050	PIN,SPLIT	1		6.3X50	
23	90171112070	BOLT	8		M12X70	
24	37000586760	WASHER,PLAIN	15		12	
25	42267551005	FRAME	1			
26	42267122004	FRAME ASSY	1			
27	42267250010	PLATE	2			
29	90180212035	BOLT,BUTTON	2			
30	90203401200	NUT	2		M16	
31	90171112030	BOLT	7		M12X30	
32	42267434001	POST ASSY	1			
33	37000118070	PIN	2			
34	90101208012	BOLT	4		M8X12	
35	90302040801	WASHER,SPRING	4		8	
36	42267123001	CYLINDER,LIFT (BUCKET)	1			
37	91850210545	FASTENER	1		L=545	
38	42267250020	SPACER	2		L=1.6	
40	42267120700	GUIDE	1			
41	42261561600	PLATE,SLIDE	2			
42	37000508520	PLATE	4		T=0.8	
43	37000315830	SPACER	2		L=9	228722
44	37000524650	PLATE	2		T=2.3 TO 2.5	228722
45	37000529970	PLATE	2		T=1.2	228722
46	90180210025	BOLT,BUTTON	1		M10X25	229000
47	80400160127	JOINT	2			229074
48	91002801100	O-RING	2		1B P11	229074
56	42268804001	CYLINDER ASSY (LIFT,BUCKET FRAME WITH VALVE)	1			229074
62	80513006920	BEARING,BALL	1			
63	80513006922	BEARING,BALL	1			
72	80801003540	BEARING,PLAIN	2			
73	82456101000	NIPPLE,GREASE	1		A-PT1/8	

AT-146-3 4301110027 UPPER

Pos No.	Parts No	Parts Name	Qty	Unit	Technical Data	Serial No (Start)	Serial
1	42614551002	OUTRIGGER (REAR,RIGHT/CASE ASSY,INNER)	1				22823
	42614551003	OUTRIGGER (REAR,RIGHT/CASE ASSY,INNER)	1			228240	22826
	42614551004	OUTRIGGER (REAR,RIGHT/CASE ASSY,INNER)	1			228268	22827
	42614553000	OUTRIGGER (REAR,RIGHT/INNER CASE)	1			228275	22830
	42614553001	OUTRIGGER (REAR,RIGHT/INNER CASE)	1			228307	22850
	42614553002	CASE ASSY,INNER (REAR,RIGHT/OUTRIGGER)	1			228504	22852
	42614553003	CASE ASSY,INNER (REAR,RIGHT/OUTRIGGER)	1			228530	22871
2	37002012620	PLATE,SLIDE	4				
3	42614460300	PLATE	2				
4	31611640150	SPRING	2				
5	90171108016	BOLT	8		M8X16		
6	37000504780	PLATE	N		T=0.6		
7	90302041001	WASHER,SPRING	24		10		
10	42614552002	OUTRIGGER (REAR,RIGHT/CASE ASSY,INNER)	1				22823
	42614552003	OUTRIGGER (REAR,RIGHT/CASE ASSY,INNER)	1			228240	22826
	42614552004	OUTRIGGER (REAR,RIGHT/CASE ASSY,INNER)	1			228268	22827
	42614554000	OUTRIGGER (REAR,LEFT/INNER CASE)	1			228275	22830
	42614554001	OUTRIGGER (REAR,LEFT/INNER CASE)	1			228307	22850
	42614554002	CASE ASSY,INNER (REAR,LEFT/OUTRIGGER)	1			228504	22852
	42614554003	CASE ASSY,INNER (REAR,LEFT/OUTRIGGER)	1			228530	22871
11	90101206014	BOLT	4		M6X14		
12	90302040601	WASHER,SPRING	4		6		
13	42614460500	BLADE	2				
14	90171110025	BOLT	24		M10X25		
16	42613350100	PLATE	12				
17	42614460400	PLATE	4				
18	37000581940	PLATE	N		T=0.5		
19	37000506590	PLATE	N		T=1.6		
20	90303070601	WASHER,PLAIN	4		6		
21	37002011280	PLATE,SLIDE	12		T=9.5		
22	90101208012	BOLT	4		M8X12		
23	90302040801	WASHER,SPRING	8		8		
24	37000575240	PLATE	2		T=3		
25	37000178190	PIN	2				
26	42614050020	PLATE,SLIDE	2			228715	
27	37001510810	BOLT	2		M8X25	228715	
28	82401800060	PLUG (FOR M6)	8				
29	42614553200	CASE ASSY,INNER (REAR,RIGHT/OUTRIGGER)	1			228715	
30	42614554200	CASE ASSY,INNER (REAR,LEFT/OUTRIGGER)	1			228715	
41	42614460800	SUPPORT	4		T=5		22843
	42614461950	SUPPORT (CAST STEEL)	4		T=4	228437	
	42614461900	SUPPORT	4		T=4	228437	
42	42614461600	SUPPORT	4		T=6		
	42614461700	SUPPORT (CAST STEEL)	4		T=6		

AT-146-3 4301110027 UPPER

Pos No.	Parts No	Parts Name	Qty	Unit	Technical Data	Serial No (Start)	Serial No (E
1	42614553101	CASE ASSY,INNER	1				
2	42613351200	CASE,INNER (JACK)	1				
4	36035100000	CYLINDER,JACK	1				
5	42613351400	FLOAT ASSY	1				
6	37000171720	PIN	1				
7	80601110250	RING,RITAINING	2		S25		
8	37000169010	PIN	1		30		
9	80601110300	RING,RITAINING	2		S30		
10	36625740001	VALVE,CHECK	1				
11	901711108055	BOLT	4		M8X55		
12	37000138750	PIN	1		18		
13	80136332036	PIN,SPLIT	2		3.2X36		
14	80400160127	JOINT	1				
15	91002801100	O-RING	1		1B P11		
16	36672460000	FILTER (NIPPLE TYPE)	1				
17	42612851010	COVER	1				
18	90186206014	BOLT,FLANGE	2		M6X14		
19	37000112320	PIN	1				
20	80601110120	RING,RITAINING	2		S12		
21	91810130240	FASTENER	2				
22	31201770100	PLATE,SLIDE	8		T=3.0		
23	90280200600	NUT,FLANGE	1		M6		
24	37000600700	CLAMP	1		12X3		
25	42614471010	PLATE,SLIDE	1		T=2.0		
41	36042820000	CYLINDER,EXTENSION (REAR)	1				
42	80400160127	JOINT	2				
43	91002801100	O-RING	3		1B P11		
44	37002474980	HOSE	1		L=2075		
45	42612861350	HARNESS	1				228539
46	91810130240	FASTENER	13				
51	42612851420	TRUNNION	1				
100	42614553001	OUTRIGGER (REAR,RIGHT/INNER CASE)	1				

AT-146-3 4301110027 UPPER

Pos No.	Parts No	Parts Name	Qty	Unit	Technical Data	Serial No (Start)	Serial
1	42614559510	CASE,INNER	1				
2	42613351200	CASE,INNER (JACK)	1				
4	36035100000	CYLINDER,JACK	1				
5	42613351400	FLOAT ASSY	1				
6	37000171720	PIN	1				
7	80601110250	RING,RITAINING	2		S25		
8	37000169010	PIN	1		30		
9	80601110300	RING,RITAINING	2		S30		
10	36625740001	VALVE,CHECK	1				
11	901711108055	BOLT	4		M8X55		
12	37000138750	PIN	1		18		
13	80136332036	PIN,SPLIT	2		3.2X36		
14	80400160127	JOINT	1				
15	91002801100	O-RING	1		1B P11		
16	36672460000	FILTER (NIPPLE TYPE)	1				
17	42612851010	COVER	1				
18	90186206014	BOLT,FLANGE	2		M6X14		
19	37000112320	PIN	1				
20	80601110120	RING,RITAINING	2		S12		
21	91810130240	FASTENER	2				
22	31201770100	PLATE,SLIDE	8		T=3.0		
23	90280200600	NUT,FLANGE	1		M6		
24	37000600700	CLAMP	1		12X3		
25	42614471010	PLATE,SLIDE	1		T=2.0		
41	36042820000	CYLINDER,EXTENSION (REAR)	1				
42	80400160127	JOINT	2				
43	91002801100	O-RING	3		1B P11		
44	37002474980	HOSE	1		L=2075		
45	42612861350	HARNESS	1				
46	91810130240	FASTENER	13				22853
51	42612851420	TRUNNION	1				
100	42614552002	OUTRIGGER (REAR,RIGHT/CASE ASSY,INNER)	1				

AT-146-3 4301110027 UPPER

Pos No.	Parts No	Parts Name	Qty	Unit	Technical Data	Serial No (Start)	Serial No (End)	Rem
1	90209201800	NUT	1		M18			
2	91684004500	PACKING	2					
3	91002802000	O-RING	1		1B P20			
4	36042810400	PISTON	1					
5	36042810200	ROD	1					
6	36042821000	CYLINDER	1					
7	36042810300	COVER,ROD	1					
8	91002904000	O-RING	1		1B G40			
9	91694003000	PACKING	1					
10	91660003001	SEAL,DUST	1					
11	90302041801	WASHER,SPRING	1		18			
12	90303071801	WASHER,PLAIN	1		18			
13	91002904500	O-RING	1		1B G45			
14	91411203501	RING,BACKUP	2					
30	36042819900	PACKING SET	1		30X45			
100	36042820000	CYLINDER,EXTENSION (REAR)	1					

AT-146-3 43011100027 UPPER

Pos No.	Parts No	Parts Name	Qty	Unit	Technical Data	Serial No (Start)	Serial No (End)	R
1	36132155010	PLATE (BASE)	1					
2	36132155020	CASE	1					
3	36132155030	COVER	1					
8	36132155080	BRACKET	1					
9	36131805010	PACKING	1					
10	36131745010	POTENTIOMETER	1					
11	36132155090	GEAR	1					
12	36132155100	GEAR	1					
13	36132155110	WIRE ASSY	1					
14	36132155120	CORD ASSY	1					
51	36132155140	SPRING ASSY	1					
100	36132150000	DETECTOR,OUTRIGGER LENGTH	1					

AT-146-3 4301110027 UPPER

Pos No.	Parts No	Parts Name	Qty	Unit	Technical Data	Serial No (Start)	Serial I
1	42614554101	CASE ASSY,INNER	1				
2	42613351200	CASE,INNER (JACK)	1				
4	36035100000	CYLINDER,JACK	1				
5	42502970100	FLOAT ASSY	1				
6	37000171720	PIN	1				
7	80601110250	RING,RITAINING	2		S25		
8	37000169010	PIN	1		30		
9	80601110300	RING,RITAINING	2		S30		
10	36625740001	VALVE,CHECK	1				
11	90171108055	BOLT	4		M8X55		
12	37000138750	PIN	1		18		
13	80136332036	PIN,SPLIT	2		3.2X36		
14	80400160127	JOINT	1				
15	91002801100	O-RING	1		1B P11		
16	36672460000	FILTER (NIPPLE TYPE)	1				
17	42612851010	COVER	1				
18	90186206014	BOLT,FLANGE	2		M6X14		
19	37000112320	PIN	1				
20	80601110120	RING,RITAINING	2		S12		
21	91810130240	FASTENER	2				
22	31201770100	PLATE,SLIDE	8		T=3.0		
23	90280200600	NUT,FLANGE	1		M6		
24	37000600700	CLAMP	1		12X3		
25	42614471010	PLATE,SLIDE	1		T=2.0		
26	82467300106	PLUG	4				
41	36042820000	CYLINDER,EXTENSION (REAR)	1				
42	80400160127	JOINT	2				
43	91002801100	O-RING	3		1B P11		
44	37002474980	HOSE	1		L=2075		
45	42612861350	HARNESS	1				228539
46	91810130240	FASTENER	13				
63	42612851420	TRUNNION	1				
100	42614554002	CASE ASSY,INNER (REAR,LEFT/OUTRIGGER)	1				

AT-146-3 4301110027 UPPER

Pos No.	Parts No	Parts Name	Qty	Unit	Technical Data	Serial No (Start)	Serial
1	42614553300	CASE ASSY,INNER	1				
2	42613351200	CASE,INNER (JACK)	1				
4	36035100000	CYLINDER,JACK	1				
5	42502970100	FLOAT ASSY	1				
6	37000171720	PIN	1				
7	80601110250	RING,RITAINING	2		S25		
8	37000169010	PIN	1		30		
9	80601110300	RING,RITAINING	2		S30		
10	36625740001	VALVE,CHECK	1				
11	90171108055	BOLT	4		M8X55		
12	37000138750	PIN	1		18		
13	80136332036	PIN,SPLIT	2		3.2X36		
14	80400160127	JOINT	1				
15	91002801100	O-RING	1		1B P11		
16	36672460000	FILTER (NIPPLE TYPE)	1				
17	42612851010	COVER	1				
18	90186206014	BOLT,FLANGE	2		M6X14		
19	37000112320	PIN	1				
20	80601110120	RING,RITAINING	2		S12		
21	91810130240	FASTENER	2				
22	31201770100	PLATE,SLIDE	8		T=3.0		
23	90280200600	NUT,FLANGE	1		M6		
24	37000600700	CLAMP	1		12X3		
25	42614471010	PLATE,SLIDE	1		T=2.0		
26	82467300106	PLUG	4				
41	36042820000	CYLINDER,EXTENSION (REAR)	1				
42	80400160127	JOINT	2				
43	91002801100	O-RING	3		1B P11		
44	37002474980	HOSE	1		L=2075		
45	42614061350	HARNESS	1			228540	
46	91810130240	FASTENER	13				
63	42612851420	TRUNNION	1				
100	42614553200	CASE ASSY,INNER (REAR,RIGHT/OUTRIGGER)	1				

AT-146-3 43011100027 UPPER

Pos No.	Parts No	Parts Name	Qty	Unit	Technical Data	Serial No (Start)	Serial No (End)	Remarks	Pages
100	42652131301	CONTROLLER	1						

AT-146-3 43011100027 UPPER

Pos No.	Parts No	Parts Name	Qty	Unit	Technical Data	Serial No (Start)	Serial No (End)	Remarks	Pages
1	42422386400	COVER	1						
2	37000578740	PLATE	53		T=1.6		229716		
	37000578740	PLATE	61		T=1.6	229717			
3	90302040801	WASHER,SPRING	64		8		229422		
	90302040801	WASHER,SPRING	68		8	229423	229561		
	90302040801	WASHER,SPRING	72		8	229562	229716		
	90302040801	WASHER,SPRING	80		8	229717			
4	42422385801	COVER	1				229422		
	42422385802	COVER	1			229423	229561		
	42422385803	COVER	1			229562			
5	82466154502	CATCH	2				229561		
6	80175805016	SCREW,MACHINE	8		M5X16		229422		
	80175805020	SCREW,MACHINE	4		M5X20	229423	229561		
	80182308010	SCREW,MACHINE	4		M8X10	229562			
7	42422385010	PLATE	2		T=3.0		229422		
	42422385050	PLATE	2		T=9.0	229423	229561		
8	42422385020	PLATE	2		T=3.0		229422		
	42422385090	PLATE	2		T=9.0	229423	229561		
9	42422386102	COVER	1				229561		
	42422386103	COVER	1			229562			
10	80175805010	SCREW,MACHINE	4		M5X10	229423	229561		
11	90101208022	BOLT	4		M8X22	229423			
13	90101208020	BOLT	49		M8X20		229716		
	90101208020	BOLT	57		M8X20	229717			
14	42422385302	COVER	1				229716		
	42422385303	COVER	1			229717			
15	42422385401	COVER	1				229561		
16	37000523710	PLATE	1		T=2.3				
17	80175805014	SCREW,MACHINE	8		M5X14				
18	82464106403	HINGE	2						
20	37000568200	PLATE	1						
21	42422385030	PLATE	1						
22	42422385072	PLATE	1						
23	37000130160	PIN	1						
24	80136340022	PIN,SPLIT	1		4X22				
25	90303071401	WASHER,PLAIN	1		14				
26	42422385040	BOLT,WING	1		M10X30				
27	37000506590	PLATE	1		T=1.6				
28	80620210100	PIN,SNAP	1						
29	90303070801	WASHER,PLAIN	10		8		229422		
	90303070801	WASHER,PLAIN	14		8	229423			
30	90101208025	BOLT	15		M8X25				
31	42422386300	COVER	1						
32	42422386201	COVER	2				229716		
	42422386202	COVER	2			229717			
33	82401800080	PLUG (FOR M8)	4						
35	90303071001	WASHER,PLAIN	1		10				
55	42422385402	COVER	1			229562			
71	82400000357	CATCH	2			229562			
72	42422387300	PLATE	2			229562			
83	42422285430	RUBBER	2						
84	42422285440	RUBBER	2				229561		
	42422285440	RUBBER	1			229562			
86	42422385440	RUBBER	1			229562			
104	42422386280	RUBBER	4			229717			
105	42422386290	RUBBER	4			229717			

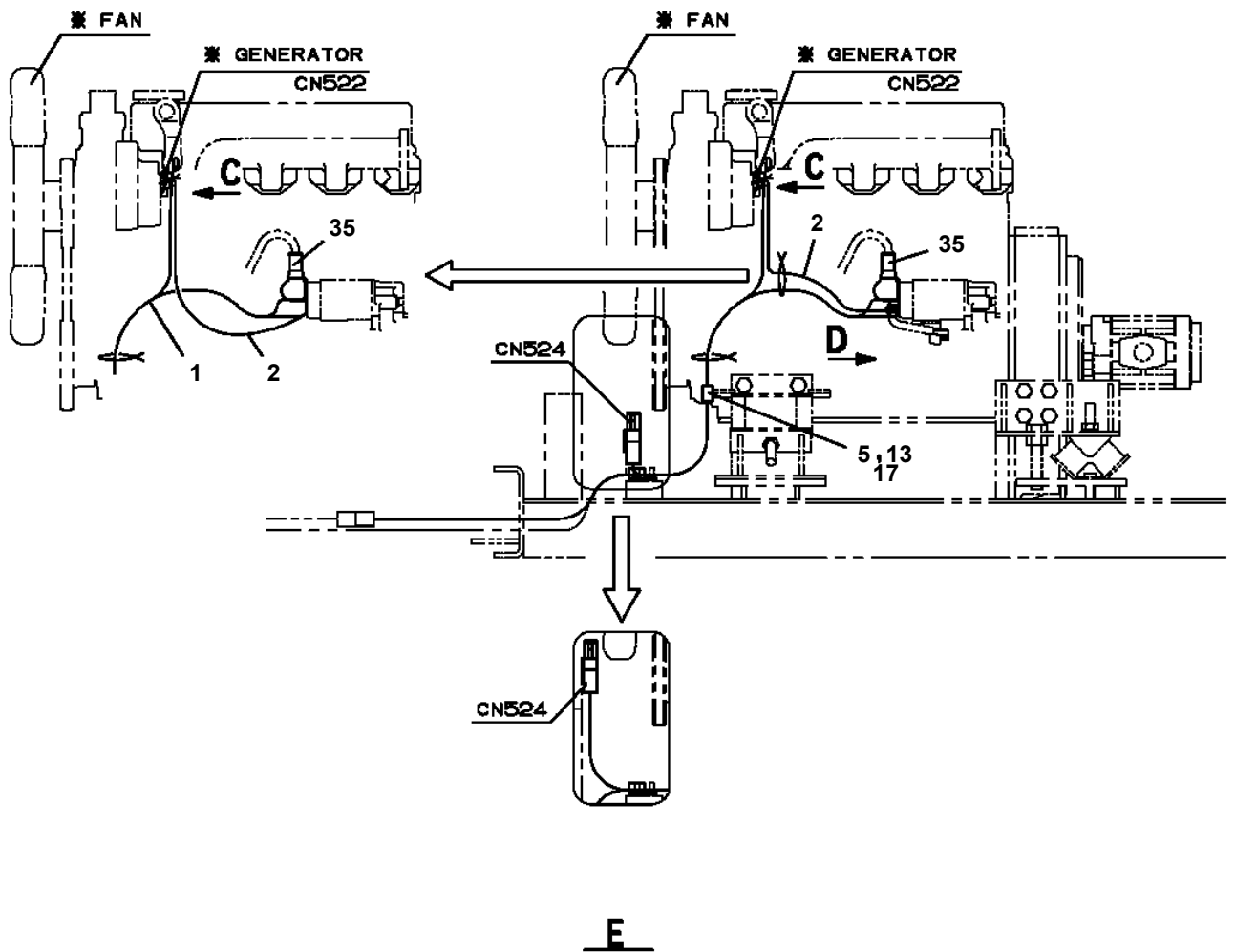
AT-146-3 4301110027 UPPER

Pos No.	Parts No	Parts Name	Qty	Unit	Technical Data	Serial No (Start)	Serial No (End)
1	36028239511	CYLINDER ASSY	1				
2	90302042401	WASHER,SPRING	1		24		
3	90209402400	NUT	1		M24		
4	36028490100	PISTON	1				
5	91332207500	BEARING,PLAIN	1				
6	91002802000	O-RING	1		1B P20		
7	36025139550	ROD ASSY	1				
8	36026159530	COVER,ROD	1				
9	80612110400	RING,RITAINING	1		AR40		
10	91002907000	O-RING	1		1B G70		
11	80801003525	BEARING,PLAIN	1				
12	91694003500	PACKING	1				
13	91410203501	RING,BACKUP	1				
14	91660003501	SEAL,DUST	1				
15	82455106000	NIPPLE,GREASE	1		A-M6F FE		
16	80541700030	BEARING,SPHERICAL (NTN)	1		SA4-30B		
17	80820003030	BEARING,PLAIN	2				
18	91002907500	O-RING	1		1B G75		
19	91350307500	PACKING ASSY (PACKING X2+BACKUP RING X2)	1				
20	90303072401	WASHER,PLAIN	1		24		
30	36028499900	PACKING SET	1		35X75		
100	36028620000	CYLINDER ASSY,LEVELING (UPPER)	1				

AT-146-3 4301110027 UPPER

Pos No.	Parts No	Parts Name	Qty	Unit	Technical Data	Serial No (Start)	Serial No (End)	R
1	80801005025	BEARING,PLAIN	2					
2	82458102000	NIPPLE,GREASE	2		B-PT1/8			
3	82400000459	CAP	2					
4	90790010020	SCREW,SET	1		10X20			
5	91302212500	BEARING,PLAIN	2					
6	91684112501	PACKING	2					
7	91411211001	RING,BACKUP	2					
8	91002805001	O-RING	1		1B P50A			
9	36027713000	PISTON	1					
10	36027711000	ROD	1					
	36027711001	ROD	1			228394	228393	
11	36027719510	CYLINDER ASSY	1					
12	80612110970	RING,RITAINING	1		AR97			
13	91002811500	O-RING	1		1B P115			
14	80801009040	BEARING,PLAIN	1					
15	36026179520	COVER,ROD	1					
16	91251100900	RING,DAMPER	1					
17	91694009000	PACKING	1					
18	91410209000	RING,BACKUP	1					
19	91002912500	O-RING	1		1B G125			
20	91660009000	SEAL,DUST	1					
21	80622000900	RING,RITAINING	1		SP90			
22	36025912000	END,ROD	1					
23	91001207000	O-RING	1		1A G70			
24	80316030020	PLUG	1		PT1/8			
25	80720104020	PIN,SPRING	1		4X20			
41	36025919900	PACKING SET	1		90X125			
52	80541700050	BEARING,SPHERICAL	1					
54	82100000548	CONNECTOR	1					
57	82100001411	TUBE,SPIRAL	1	M	SE-08BK			
58	80316090020	PLUG	1		KKT PT1/8			
61	82100001155	CONNECTOR	1					
101	36027710000	CYLINDER,ELEVATING	1					
102	36606450000	VALVE ASSY,COUNTERBALANCE	1					
103	90171108060	BOLT	4		M8X70			
104	90302040801	WASHER,SPRING	4		8			

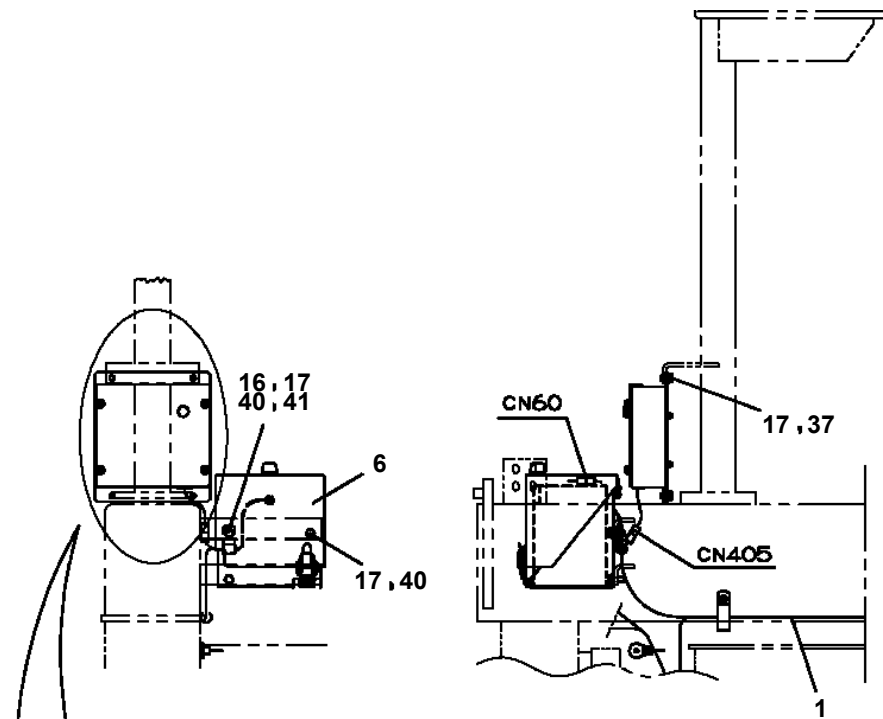
AT-146-3 43011100027 UPPER
PE5020276-05 ELEC.ASSY



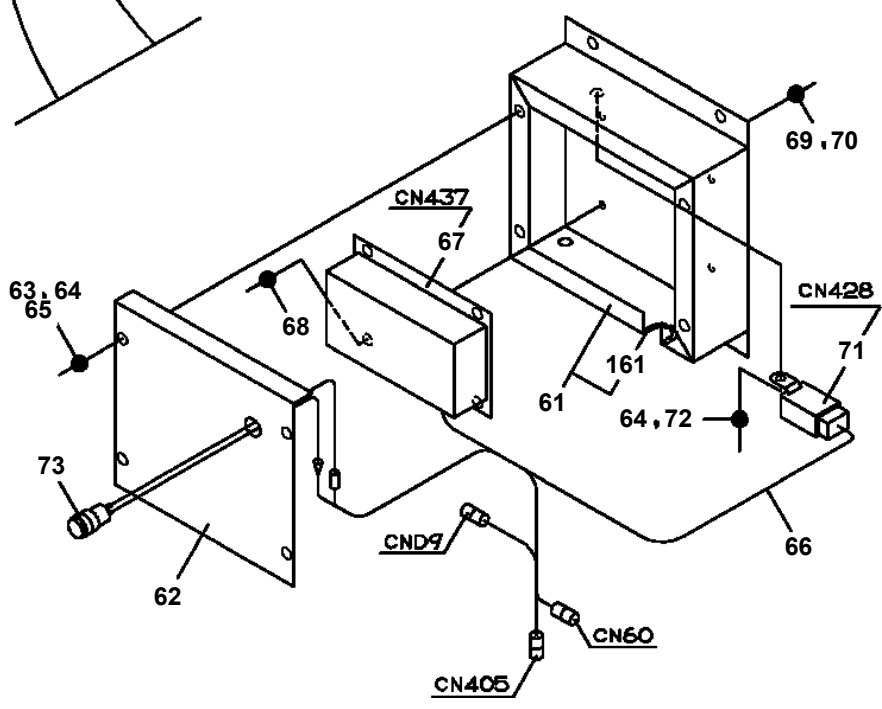
※材は〔付属品リスト〕より検索してください。

FOR THE PART ※, SEE THE CORRESPONDING "ACCESSORY LIST."

AT-146-3 43011100027 UPPER
PE5110008-00 ELEC.ASSY,FRAME



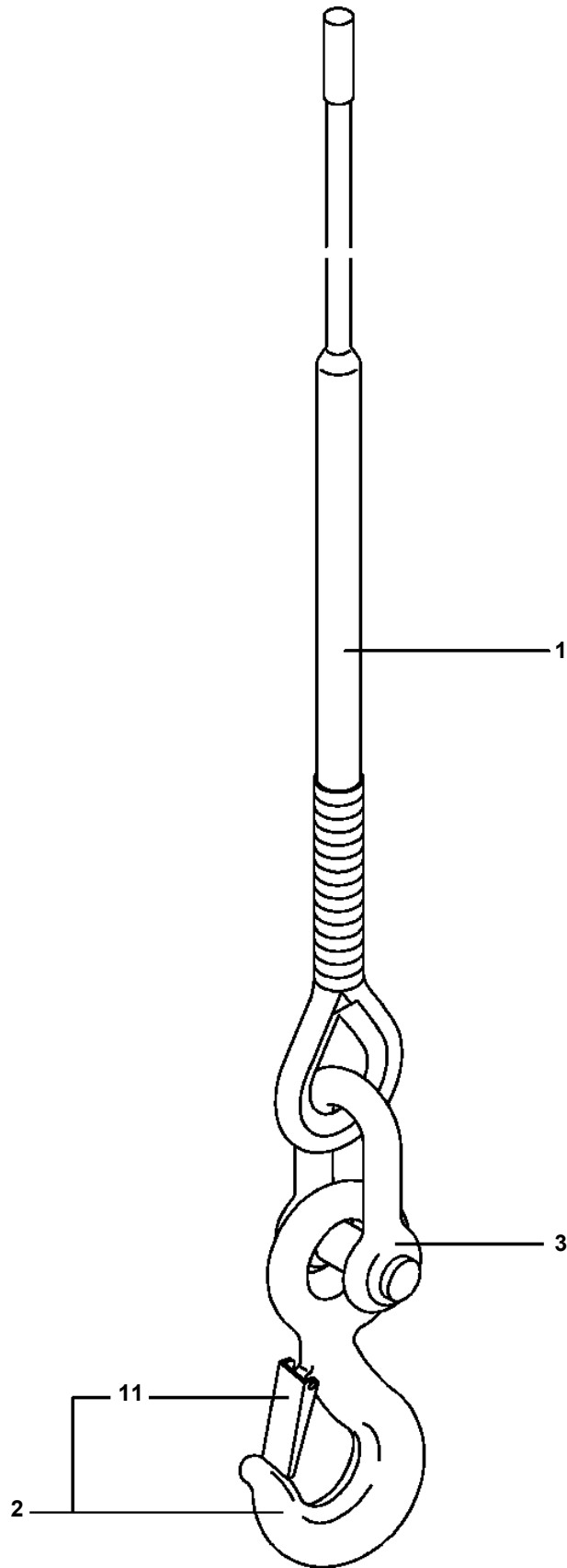
K



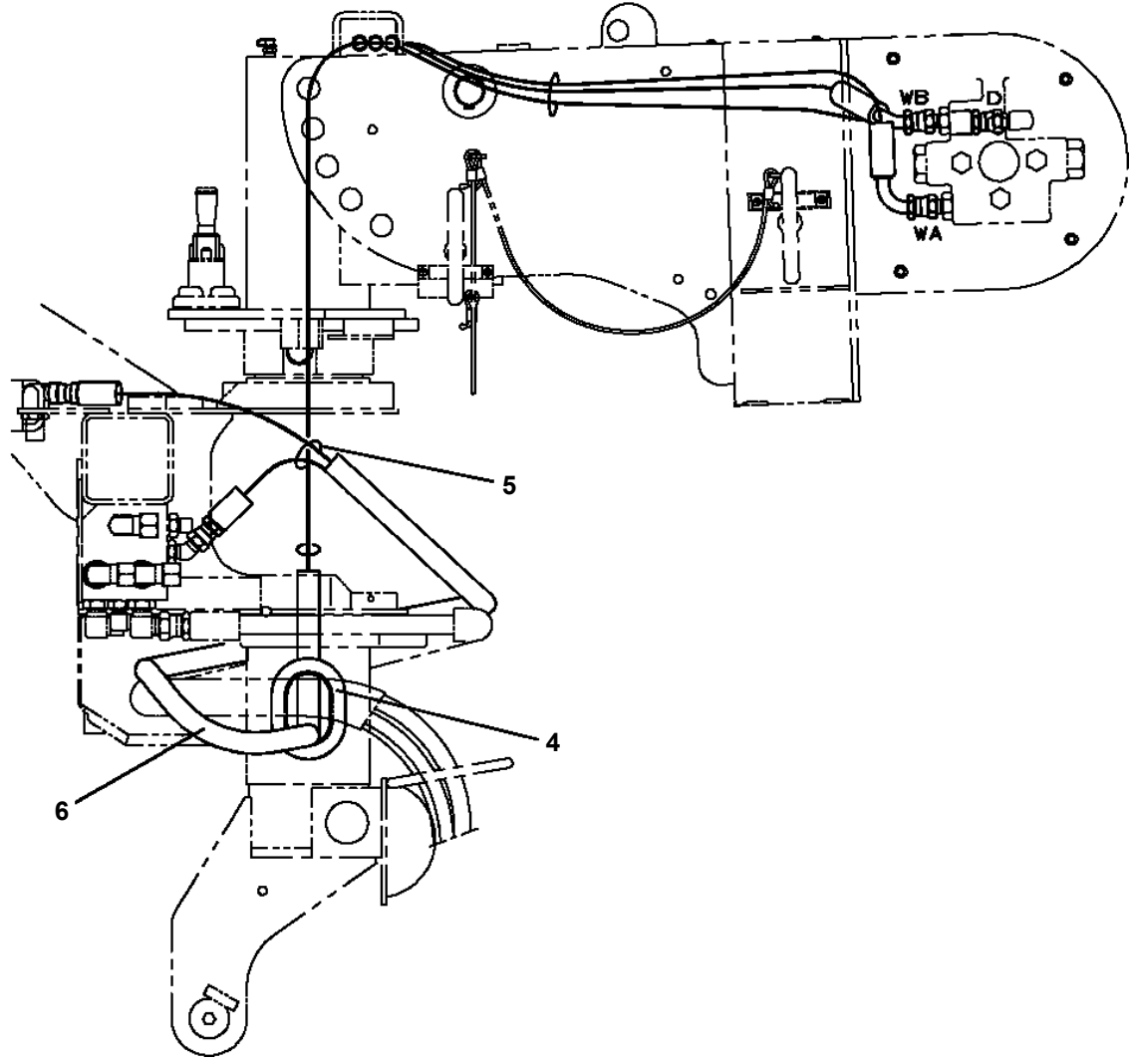
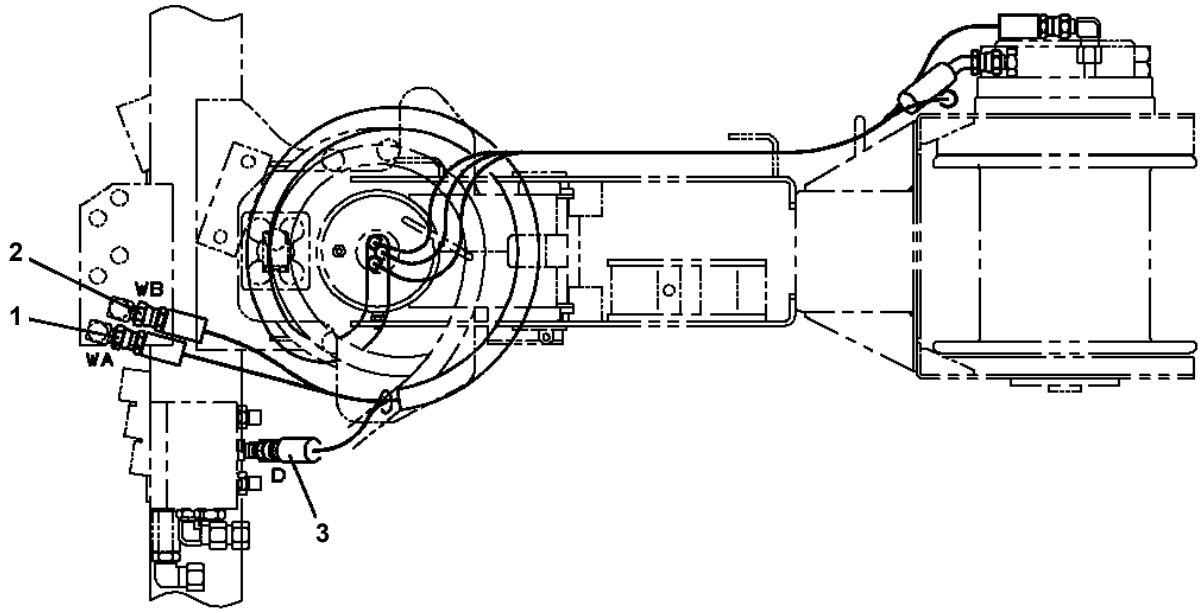
AT-146-3 4301110027 UPPER

Pos No.	Parts No	Parts Name	Qty	Unit	Technical Data	Serial No (Start)	Serial No (End)	Remarks
1	42356380102	HARNESS	1				228763	
2	42354740200	SWITCH ASSY	1					
3	82100002597	RELAY	1				229233	
	34354781730	RELAY	1			229234		
4	80192486010	SCREW,MACHINE	7		M6X10		229233	
	80192486010	SCREW,MACHINE	4		M6X10	229234		
5	80192484016	SCREW,MACHINE	6		M4X16			
6	91850400601	CLAMP	5					
7	91810132530	FASTENER	20					
8	90201200800	NUT	1		M8			
9	90302040801	WASHER,SPRING	1		8			
10	90303070801	WASHER,PLAIN	1		8			
11	82127020180	TUBE,SPIRAL	1	M				
12	82100002017	CLAMP	1		WR30			
13	90280200600	NUT,FLANGE	2		M6			
14	82100001801	TUBE,CORRUGATE	2	M	7			
16	82100002014	CLAMP	1		WR20			
17	82100001807	TUBE,CORRUGATE	1	M	28			
18	42350250070	PLUG (2 POLES,MALE)	1					
19	82161201010	RELAY	2				229233	
	34354781740	RELAY	2			229234		
20	82100001819	TUBE,SPIRAL	1	M	SE-18BK			
21	42352190100	RESISTANCE	1					
22	80172303012	SCREW,MACHINE	2		M3X12			
23	90302040301	WASHER,SPRING	2		3			
24	90303070301	WASHER,PLAIN	2		3			
25	42470201060	PLATE	1					
26	90201200600	NUT	1		M6			
27	90302040601	WASHER,SPRING	1		6		229031	
	90302040601	WASHER,SPRING	2		6	229032		
28	82100002005	CLAMP	1		WRC8			
29	82100002010	CLAMP	1		WR15			
30	42356380200	HARNESS	1			228764	229288	
31	90101206010	BOLT	1		M6X1.0	229032		
32	82100002004	CLAMP	1		WR8	229032		
33	80197586012	SCREW,MACHINE	3		M6X12	229234		
41	42357100101	HARNESS	1			228764	228989	
	42357100102	HARNESS	1			228990	229288	
42	42356380300	HARNESS	1			229289		
45	82100002308	COVER	1					
51	42356091000	CONVERTER (ASSY ONLY)	1				228763	
	42356381000	CONVERTER	1			228764	229507	
52	42353383100	COVER	1					
53	80172305012	SCREW,MACHINE	4		M5X12			
54	90201200500	NUT	4		M5			
55	90302040501	WASHER,SPRING	4		5			
56	90303070501	WASHER,PLAIN	4		5			
81	42352457510	KEY	1					

AT-146-3 43011100027 UPPER
PF1050508-00 HOOK (1-PART LINE/TSK)



AT-146-3 43011100027 UPPER
PF1200429-00 PIPING,WINCH



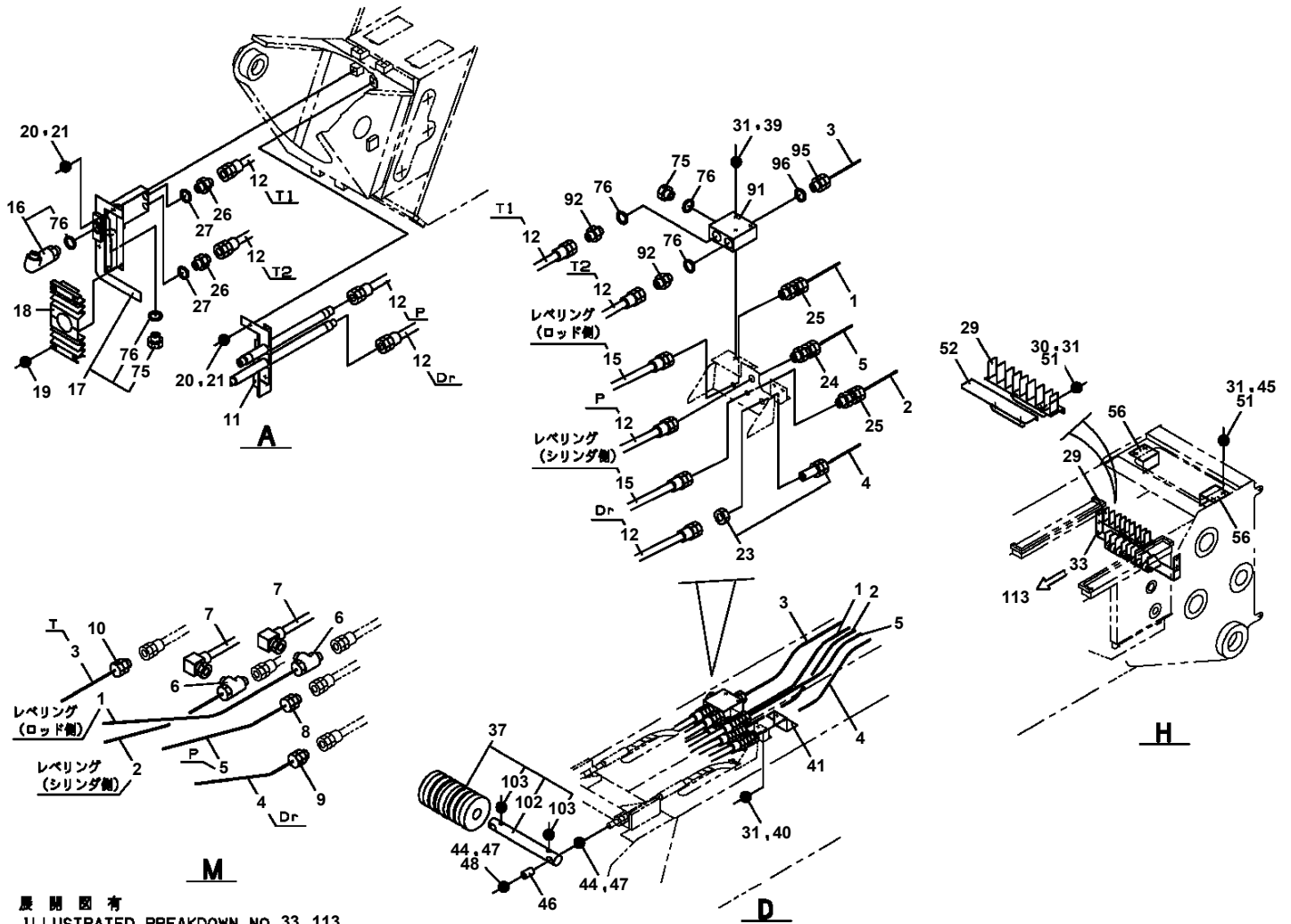
AT-146-3 43011100027 UPPER

Pos No.	Parts No	Parts Name	Qty	Unit	Technical Data	Serial No (Start)
1	(***** *****)	WINCH,JIB (SUPPORT) SUPPORT ASSY	1 1			229009
2	(***** *****)	MOUNT,WINCH (WITHOUT JIB STOWING) WINCH ASSY (MOUNT/J:WITHOUT SWIVEL FUNCTION)	1 1			228368
3	(***** *****)	HOOK (1-PART LINE/TSK)	1			

AT-146-3 4301110027 UPPER

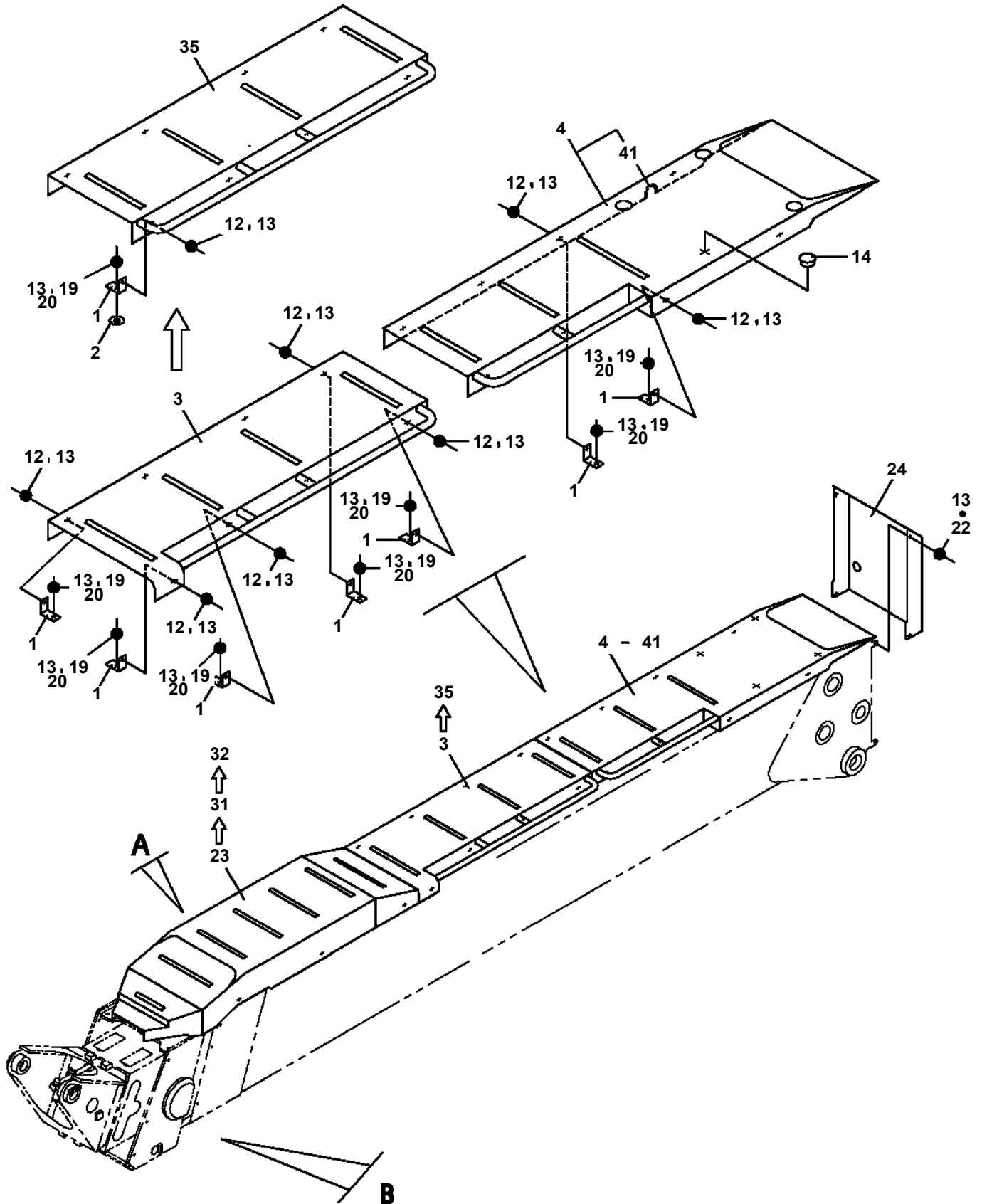
Pos No.	Parts No	Parts Name	Qty	Unit	Technical Data	Serial No (Start)	Serial No (End)	Re
2	42202592000	BOOM, TOP	1					
3	42202593001	SADDLE	1				228191	
	42202593002	SADDLE	1			228192		
4	42202594000	BOOM, 2ND	1					
5	42202909510	BOOM, BASE	1					
6	37001922851	ROPE, WIRE (TESAC)	2		8X4.795M			
7	37001922871	ROPE, WIRE (TESAC)	2		10X9.22M			
9	37000115380	PIN	1					
10	34691292900	INSULATOR	10					
	90238403008	NUT, CASTLE	1		M30X2			
11	80136360050	PIN, SPLIT	1		6X50			
12	90303073001	WASHER, PLAIN	1		30			
16	37000168750	PIN	1					
17	80601110300	RING, RITAINING	2		S30			
18	42202590051	PLATE	N		T=0.8			
19	42202590061	PLATE	N		T=0.5			
20	42202590330	PLATE	N		T=0.5			
21	37002019390	PLATE, SLIDE	2					
22	37002019400	PLATE, SLIDE	4					
23	37000586481	PLATE	N		T=0.6			
24	42202590011	PLATE	4					
25	42202590090	PLATE	4		T=0.5			
26	42202590200	PLATE	N		T=0.8			
27	90201701600	NUT	10		M16			
28	90303501601	WASHER, PLAIN	10		16			
31	90302041001	WASHER, SPRING	48		10			
32	90180210045	BOLT, BUTTON	4		M10X45			
33	42202591003	FRAME	1					
35	90172110025	BOLT, HEXAGON SOCKET	8		M10X25		228238	
37	90172110055	BOLT, HEXAGON SOCKET	4		M10X55		228238	
	90180210055	BOLT, BUTTON	4			228239		
38	42202590260	PIN	2				228238	
	42202590360	PIN	2			228239		
39	42200021510	PLATE	2					
40	37001007740	SHEAVE ASSY	2					
41	42202700120	PLATE	1		T=0.8			
42	42201630570	PLATE	N		T=2.3			
44	42202700130	PLATE	1		T=1.0			
45	37002018110	PLATE, SLIDE	2					
46	90180210025	BOLT, BUTTON	16		M10X25		228238	
	90180210025	BOLT, BUTTON	24		M10X25	228239		
47	82455106000	NIPPLE, GREASE	4		A-M6F FE			
48	82400000459	CAP	2				228354	
50	80601110200	RING, RITAINING	4		S20			
51	42202590220	PLATE	N		T=0.8			
52	42202590230	PLATE	N		T=0.5			
53	42202590240	PLATE	N		T=0.5			
54	42202590250	PLATE	N		T=1.0			
55	90172106008	BOLT, HEXAGON SOCKET	N		M6X8			
57	37002018070	PLATE, SLIDE	2					
58	37002018060	PLATE, SLIDE	4					
59	37000586470	PLATE	N		T=1.0			
60	37000586460	PLATE	N		T=1.0			
61	42202700111	PLATE	N		T=0.6			
62	37000155020	PIN	4					
63	42202590210	PLATE	N		T=0.8			
64	37002018120	PLATE, SLIDE	2					
65	37000508520	PLATE	8		T=0.8			
66	80184306012	SCREW, MACHINE	4		M6X12			
67	37002006500	PLATE, SLIDE	2					
68	37002010340	PLATE, SLIDE	2					
69	90180210016	BOLT, BUTTON	8		M10X16			
70	37000176290	PIN	1					

**AT-146-3 43011100027 UPPER
PG1220171-04 PIPING,BOOM**



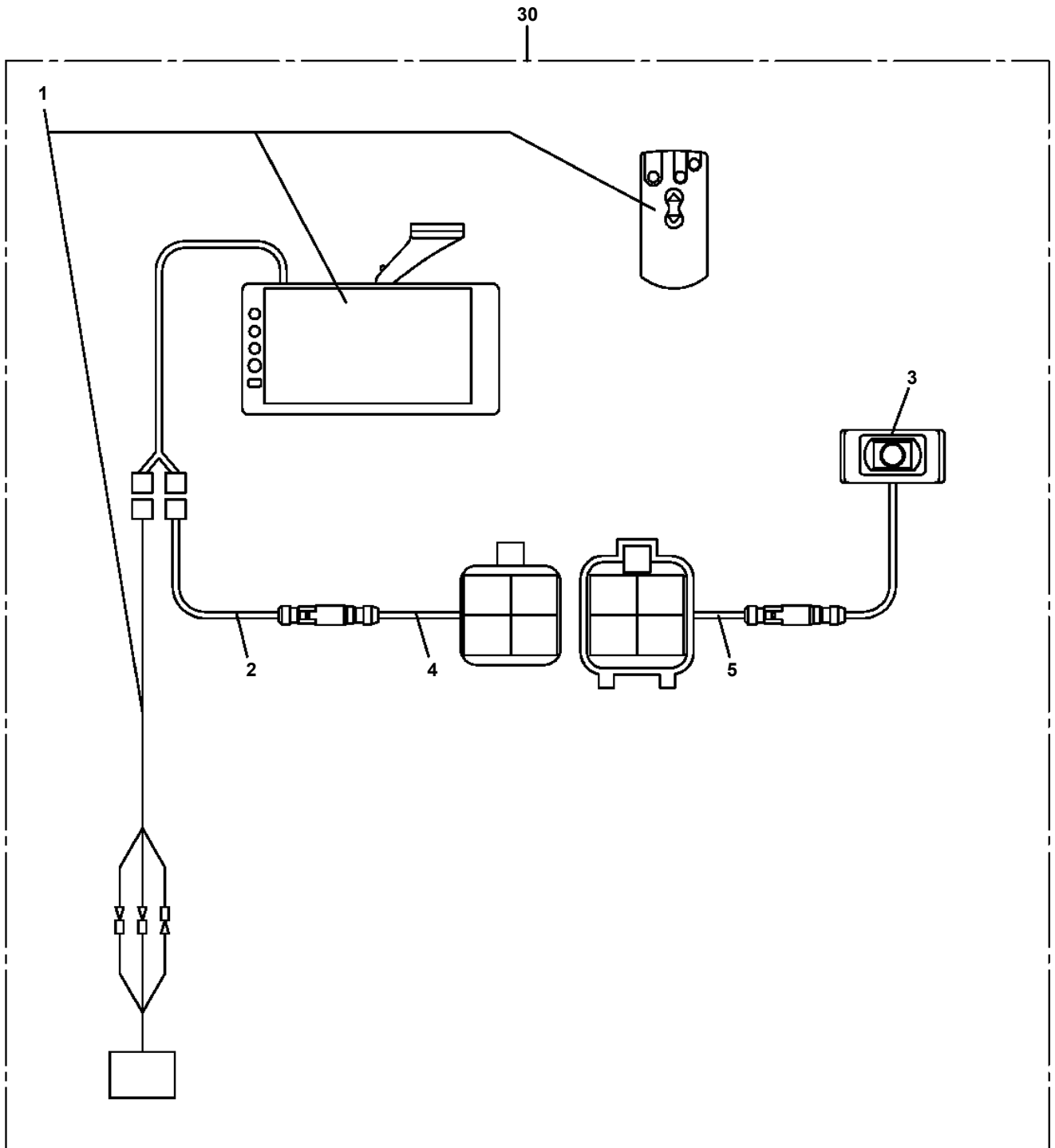
展開図有
ILLUSTRATED BREAKDOWN NO.33,113

AT-146-3 43011100027 UPPER
PG1410106-02 COVER,BOOM



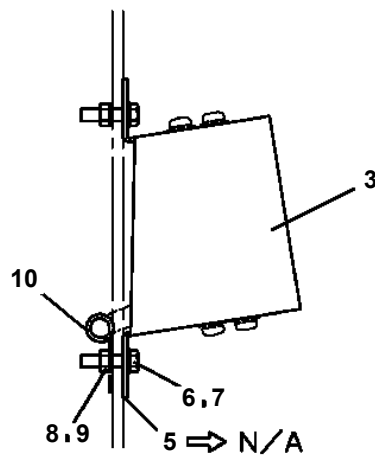
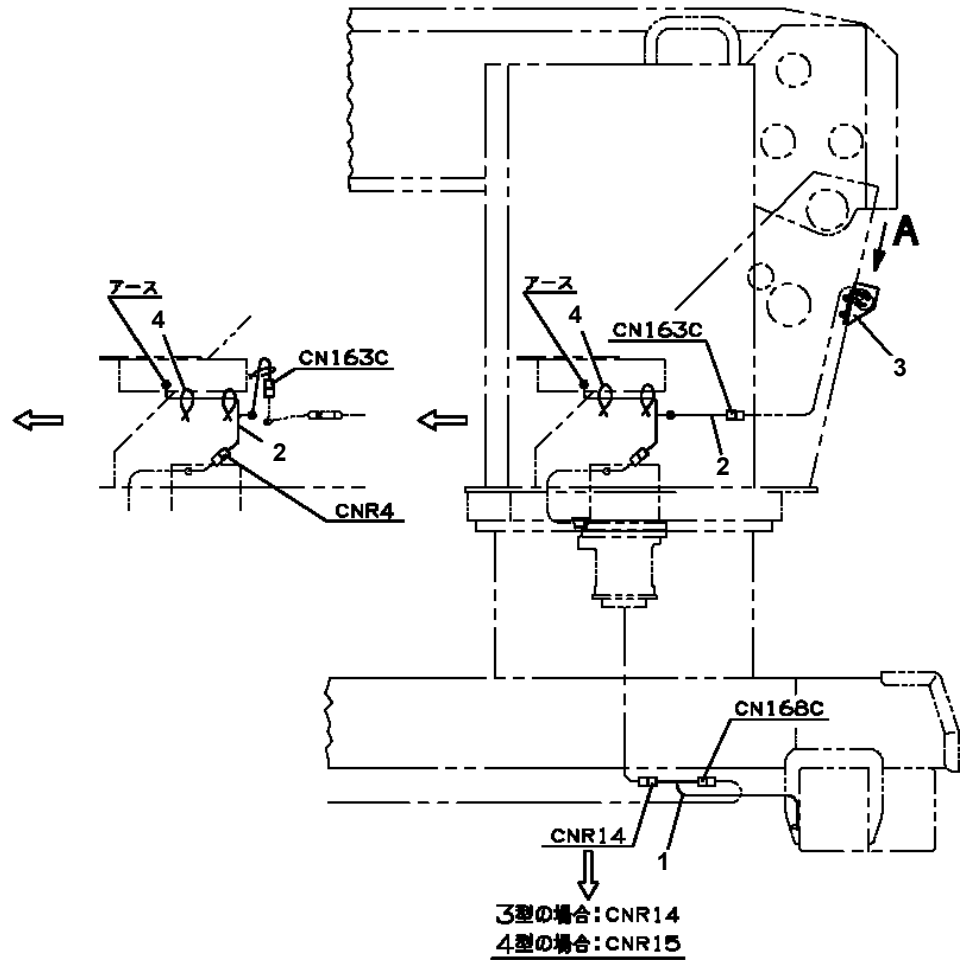
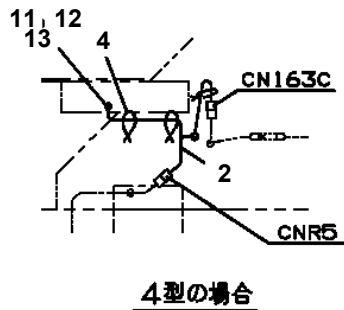
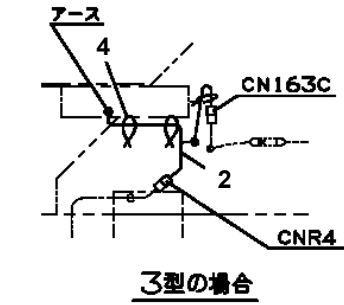
展開圖有
ILLUSTRATED BREAKDOWN NO. 32

**AT-146-3 43011100027 UPPER
PH1700236-00 VIEW SYSTEM (MAIN UNIT)**



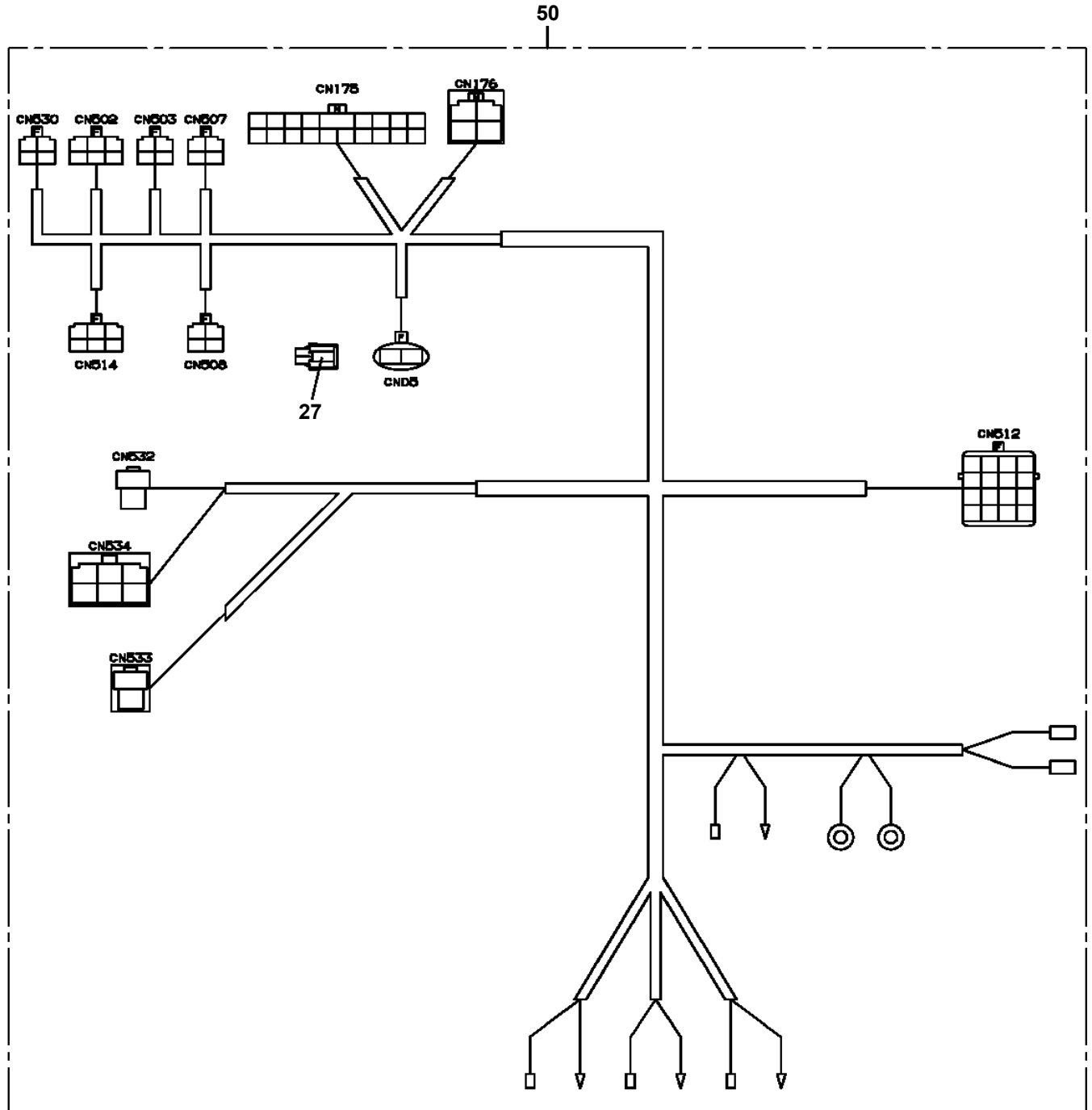
AT-146-3 43011100027 UPPER
PH1700374-02 VIEW SYSTEM (CAMERA)

FRONT ←

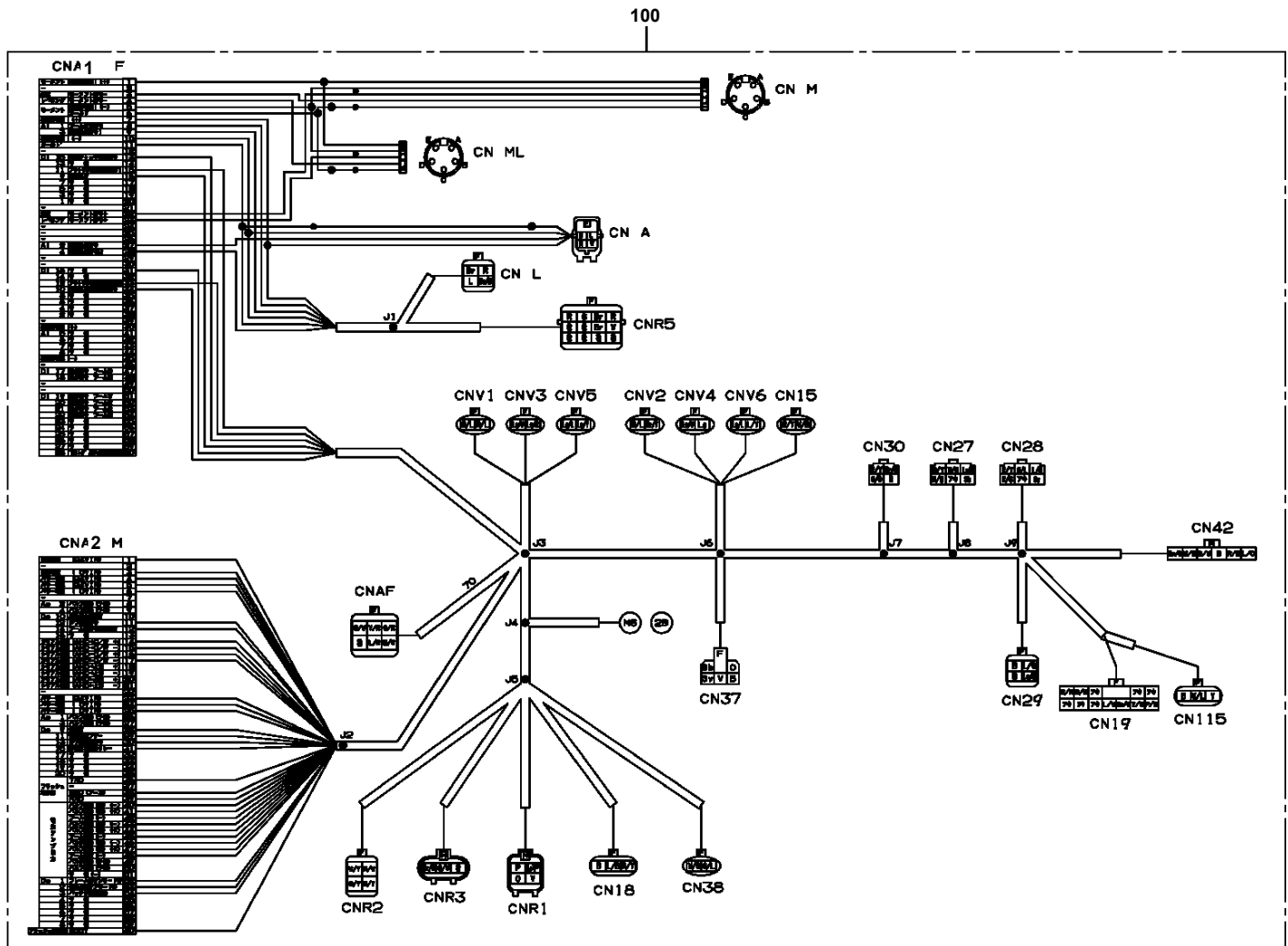


A

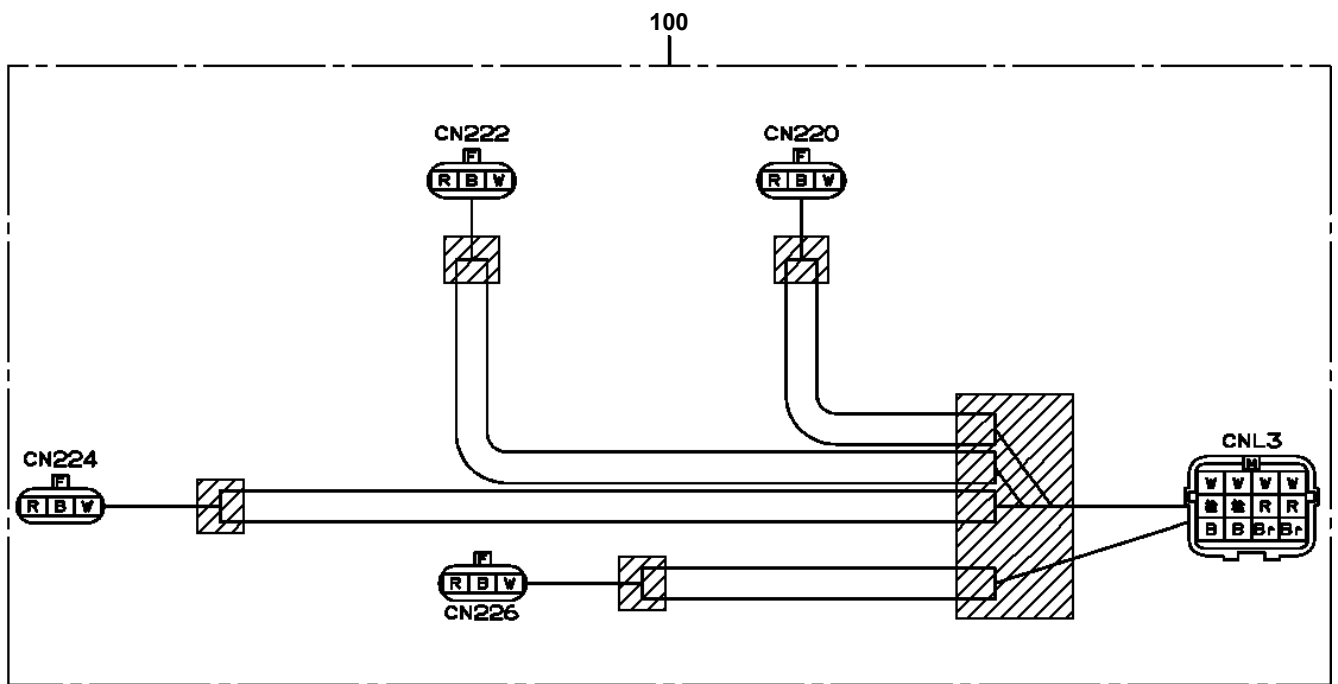
AT-146-3 43011100027 UPPER
PH5030201-00 HARNESS



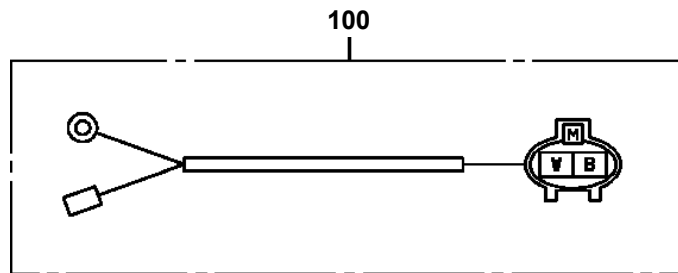
AT-146-3 43011100027 UPPER PH5030992-00 HARNESS



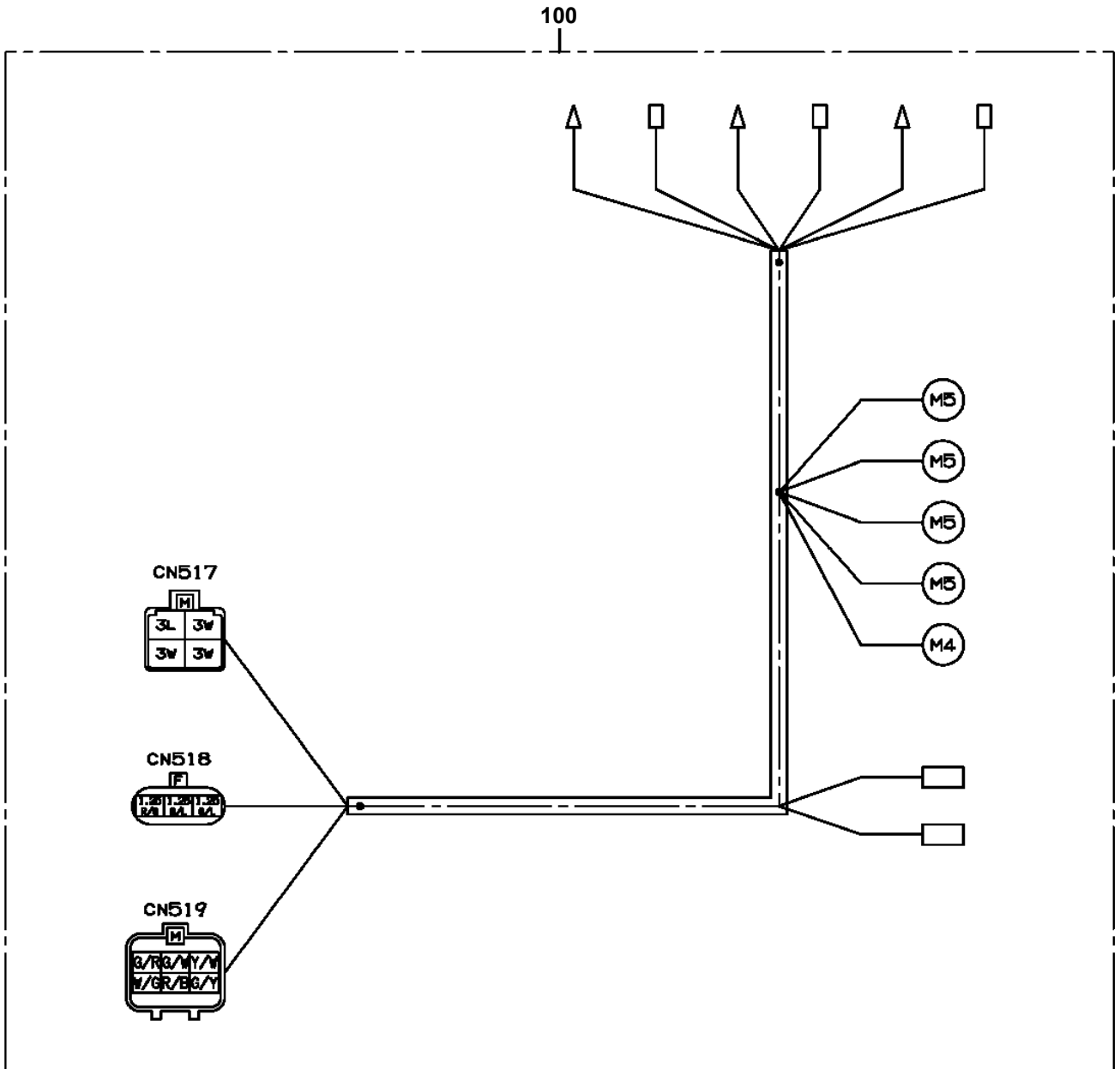
AT-146-3 43011100027 UPPER
PH5031066-00 HARNESS



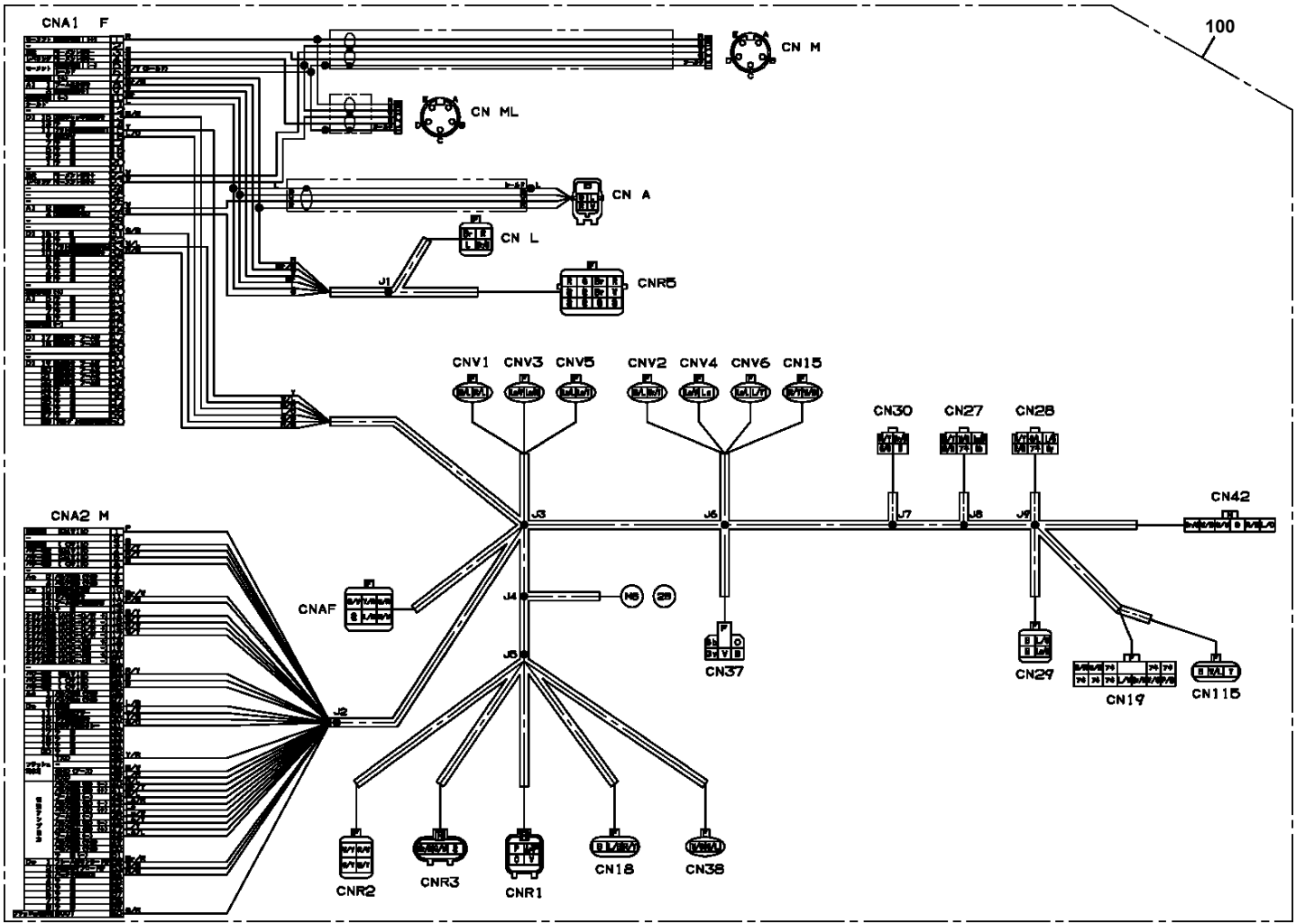
**AT-146-3 43011100027 UPPER
PH5031073-00 HARNESS**



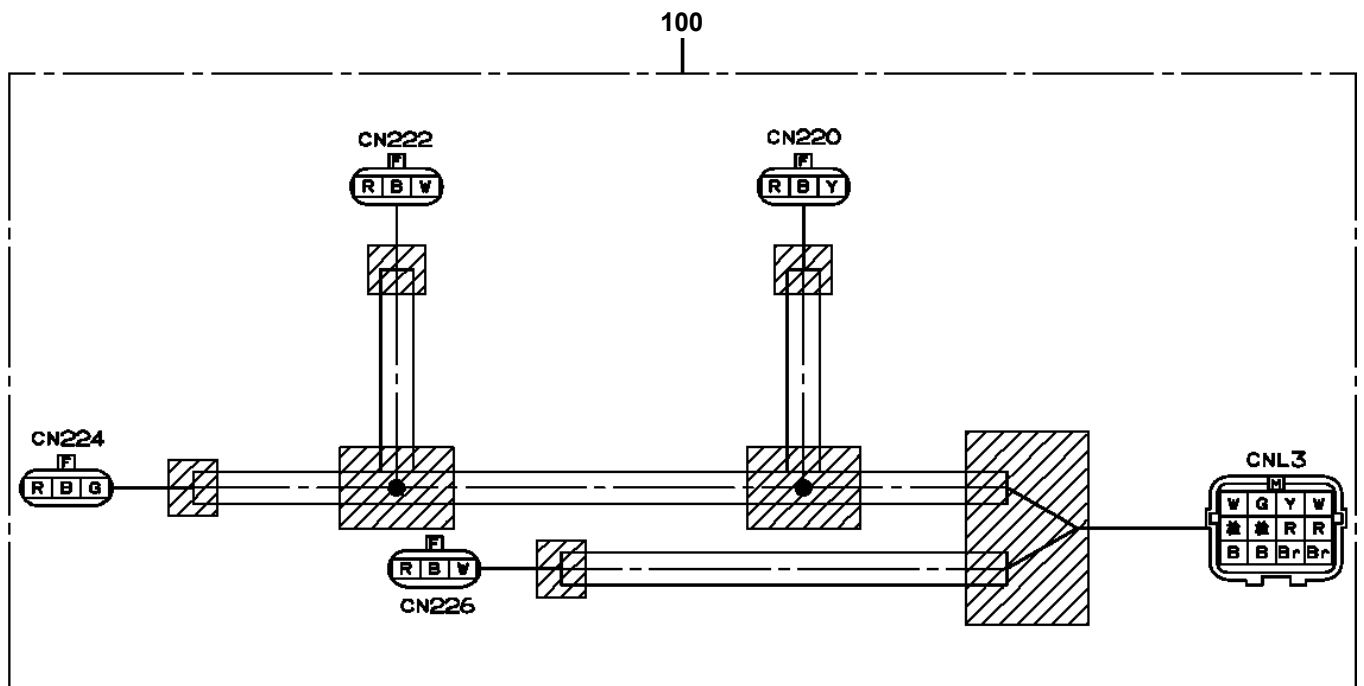
AT-146-3 43011100027 UPPER
PH5031435-00 HARNESS



AT-146-3 43011100027 UPPER
PH5032330-00 HARNESS



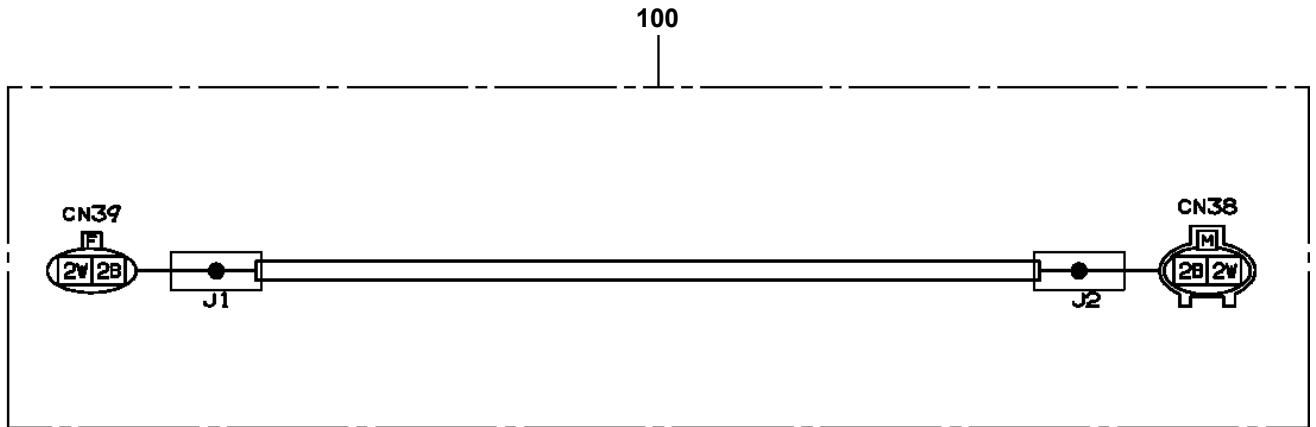
AT-146-3 43011100027 UPPER
PH5032366-00 HARNESS



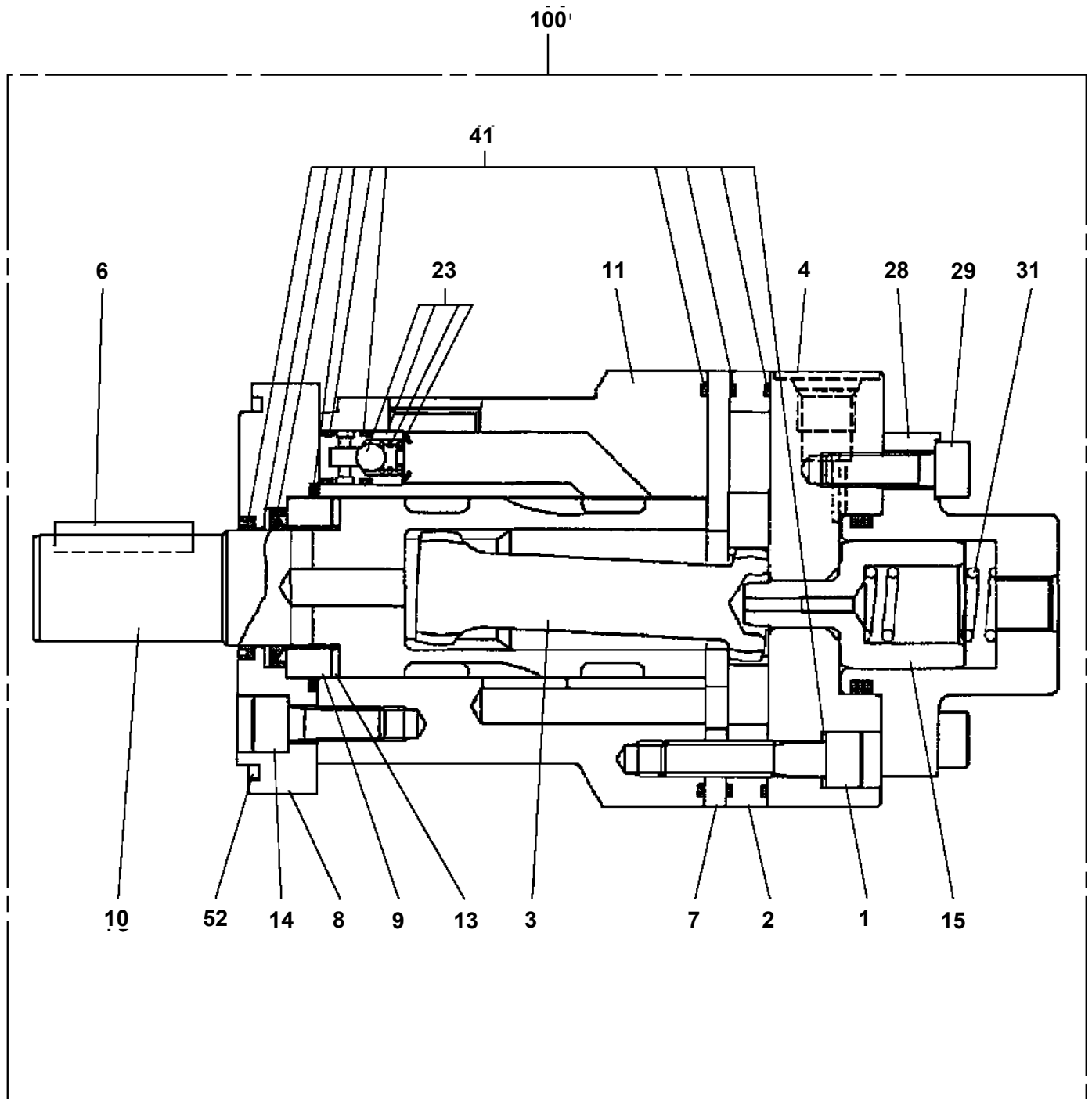
AT-146-3 43011100027 UPPER

Pos No.	Parts No	Parts Name	Qty	Unit	Technical Data	Serial No (Start)	Serial No (End)	Remarks	Pages
100	42356380300	HARNESS	1						

AT-146-3 43011100027 UPPER
PH5034371-00 HARNESS

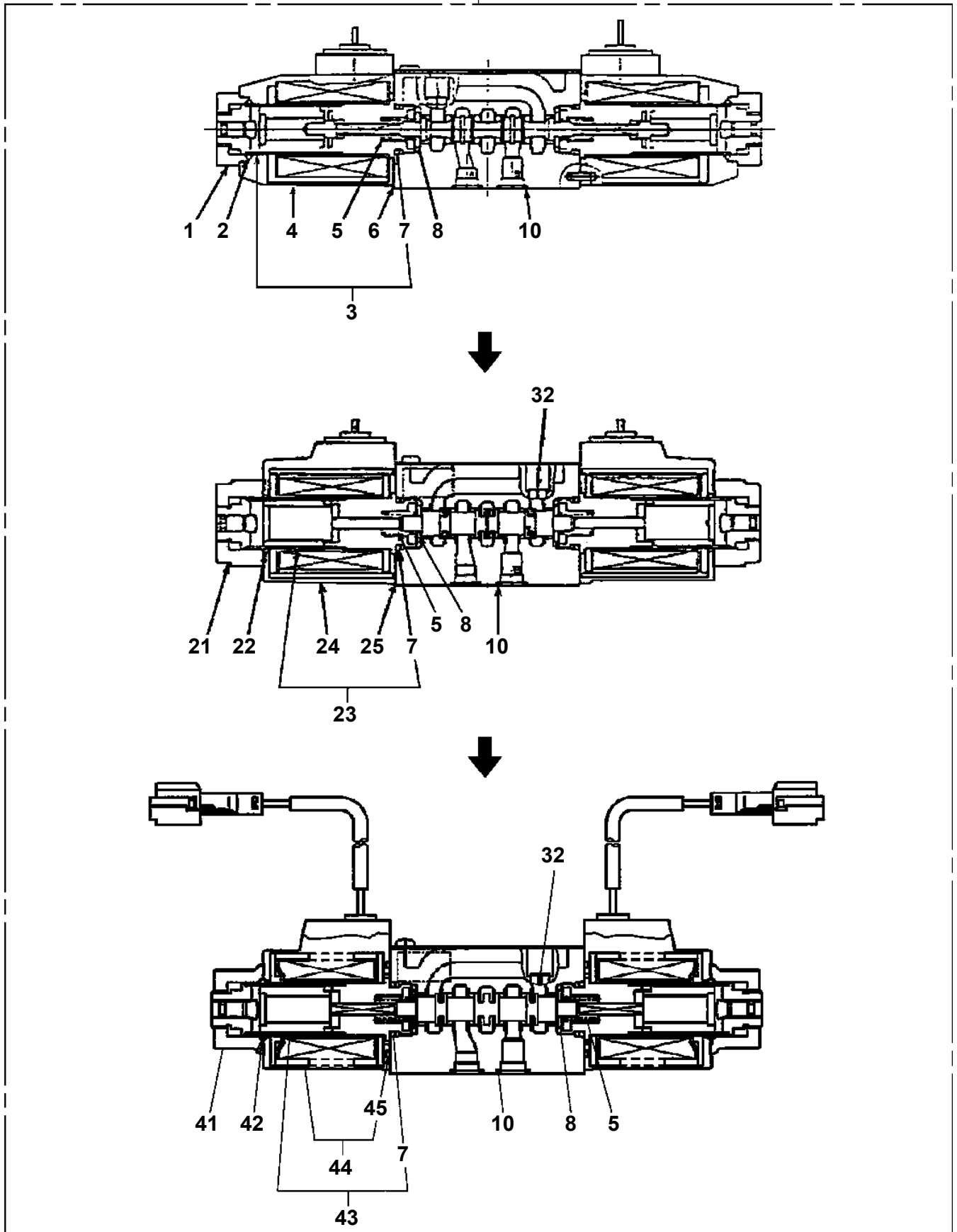


AT-146-3 43011100027 UPPER
PI1010176-00 MOTOR, HYDRAULIC

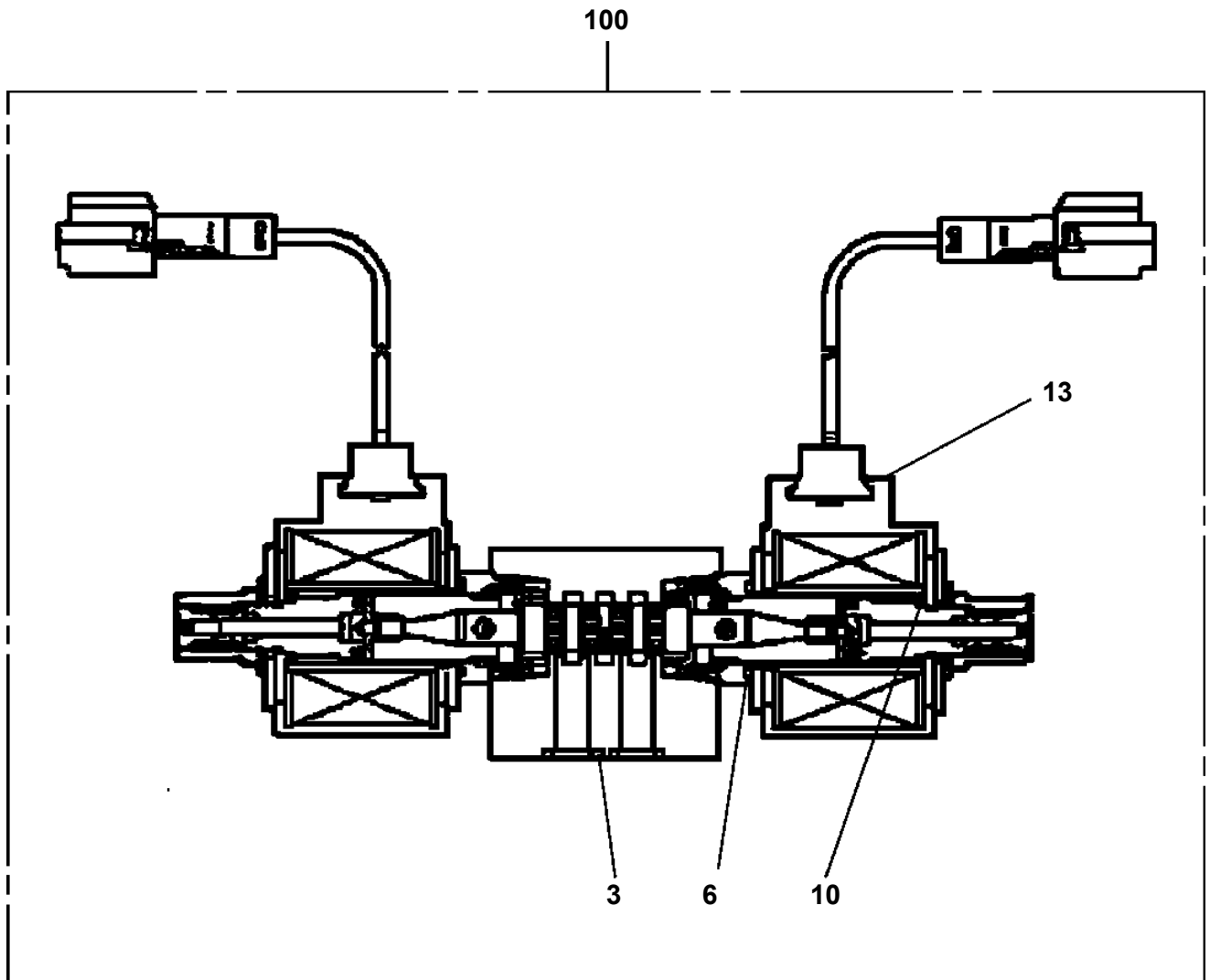


AT-146-3 43011100027 UPPER
PI1120238-02 VALVE,SOLENOID

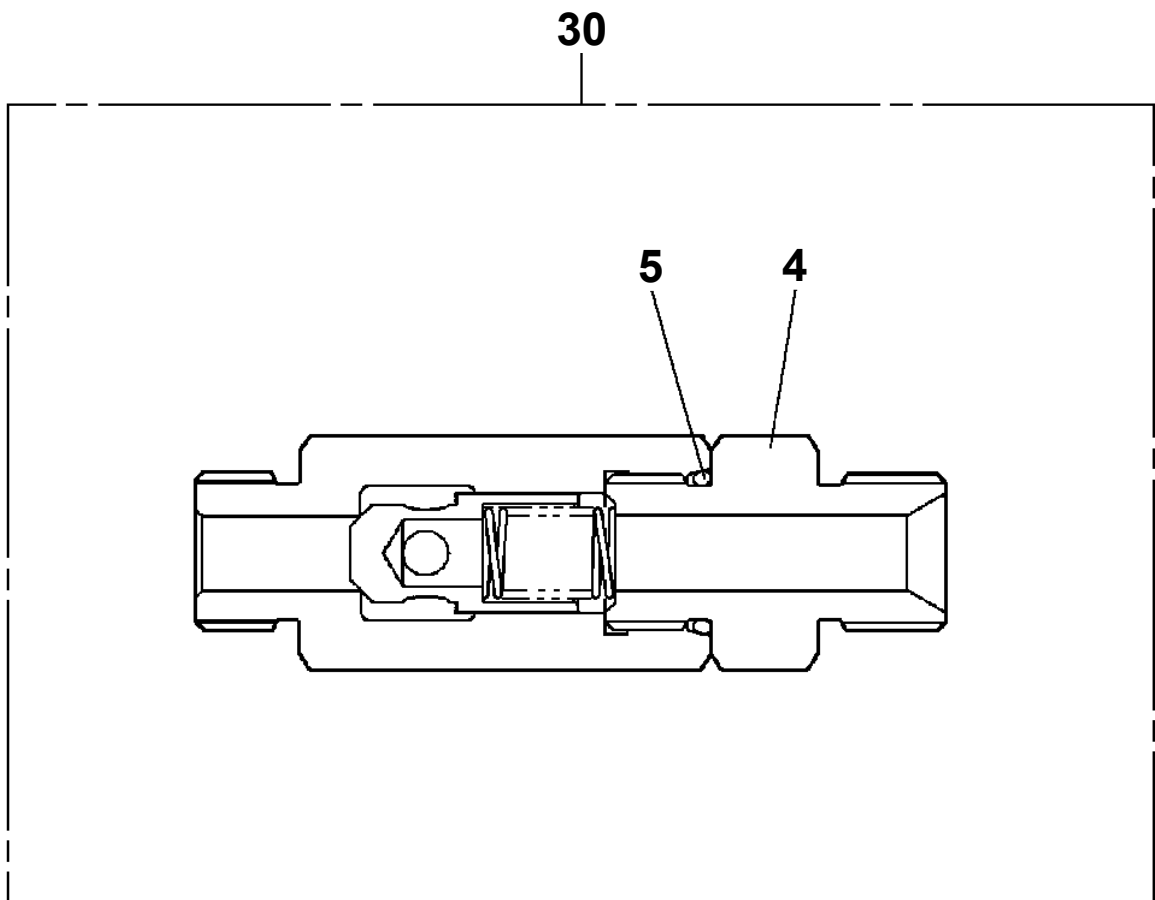
100



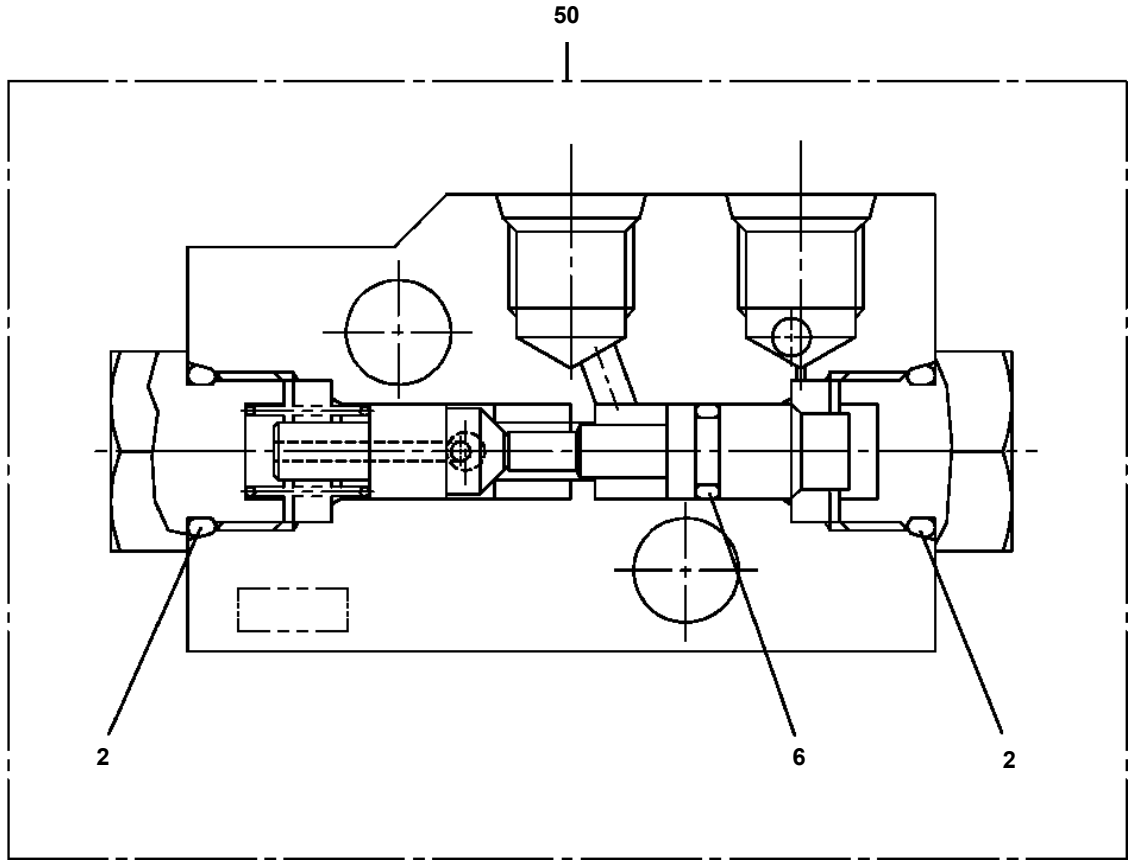
AT-146-3 43011100027 UPPER
PI1120335-00 VALVE,SOLENOID



**AT-146-3 43011100027 UPPER
PI1140189-00 VALVE,CHECK**



**AT-146-3 43011100027 UPPER
PI1280051-00 VALVE,PILOT CHECK**



CLICK HERE TO **DOWNLOAD** THE COMPLETE MANUAL

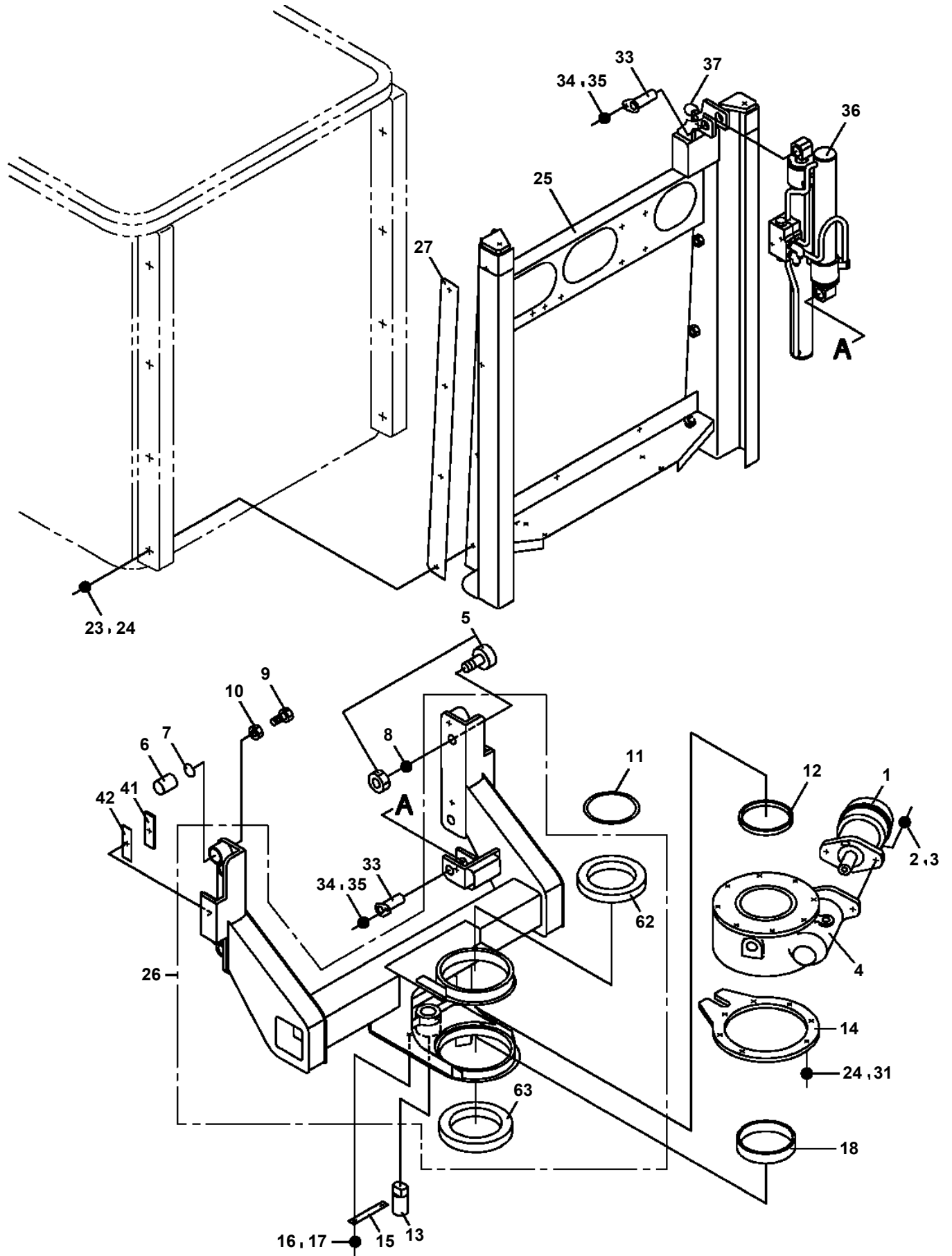
- Thank you very much for reading the preview of the manual.
- You can download the complete manual from: www.heydownloads.com by clicking the link below



- Please note: If there is no response to CLICKING the link, please download this PDF first and then click on it.

CLICK HERE TO **DOWNLOAD** THE COMPLETE MANUAL

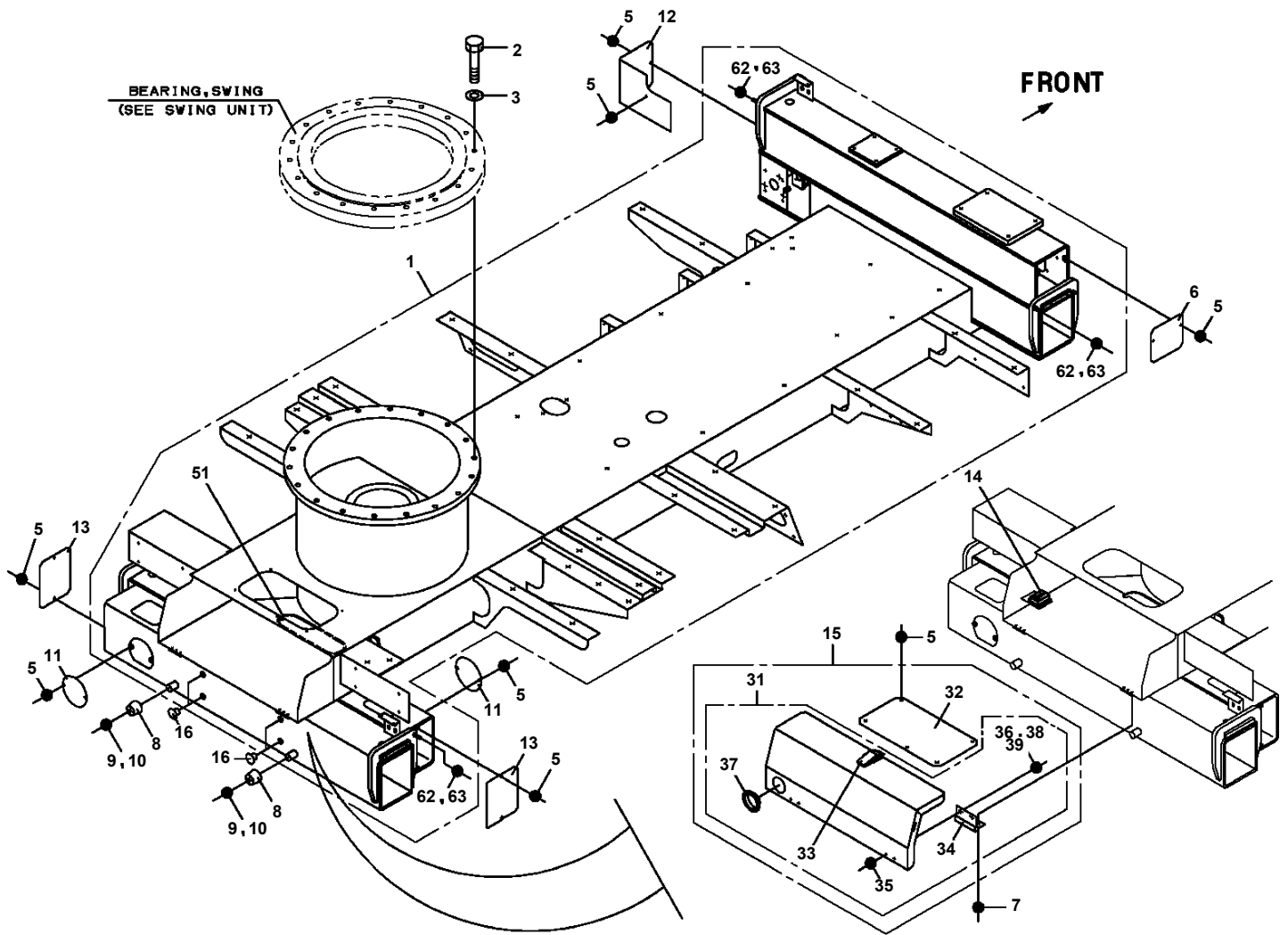
AT-146-3 43011100027 UPPER
PJ3020053-00 FRAME



AT-146-3 4301110027 UPPER

Pos No.	Parts No	Parts Name	Qty	Unit	Technical Data	Serial No (Start)	Serial No (End)	Re
98	80303130161	FITTING,ELBOW	2		KLO12-030E			
99	80303130141	FITTING,ELBOW	2		KLO12-020E			
100	42345023100	JOINT	1				228337	
	42346832100	JOINT	1			228338		
111	91071011500	O-RING	1		Y22550-115-A			
112	91470000600	RING,BACKUP	1		Y22021-06			
121	42346831102	JOINT	1					
122	80400160127	JOINT	2					
123	80471020502	JOINT	1					
124	80430620400	JOINT	1					
127	37000921890	JOINT	1					
128	91002801100	O-RING	9		1B P11			
129	91002801400	O-RING	10		1B P14			
	91002801400	O-RING	2		1B P14		228790	
131	80316070040	PLUG	1		PF1/4			
132	80303130181	FITTING,ELBOW	1		KLO15-030E			

AT-146-3 43011100027 UPPER PK1011429-01 FRAME

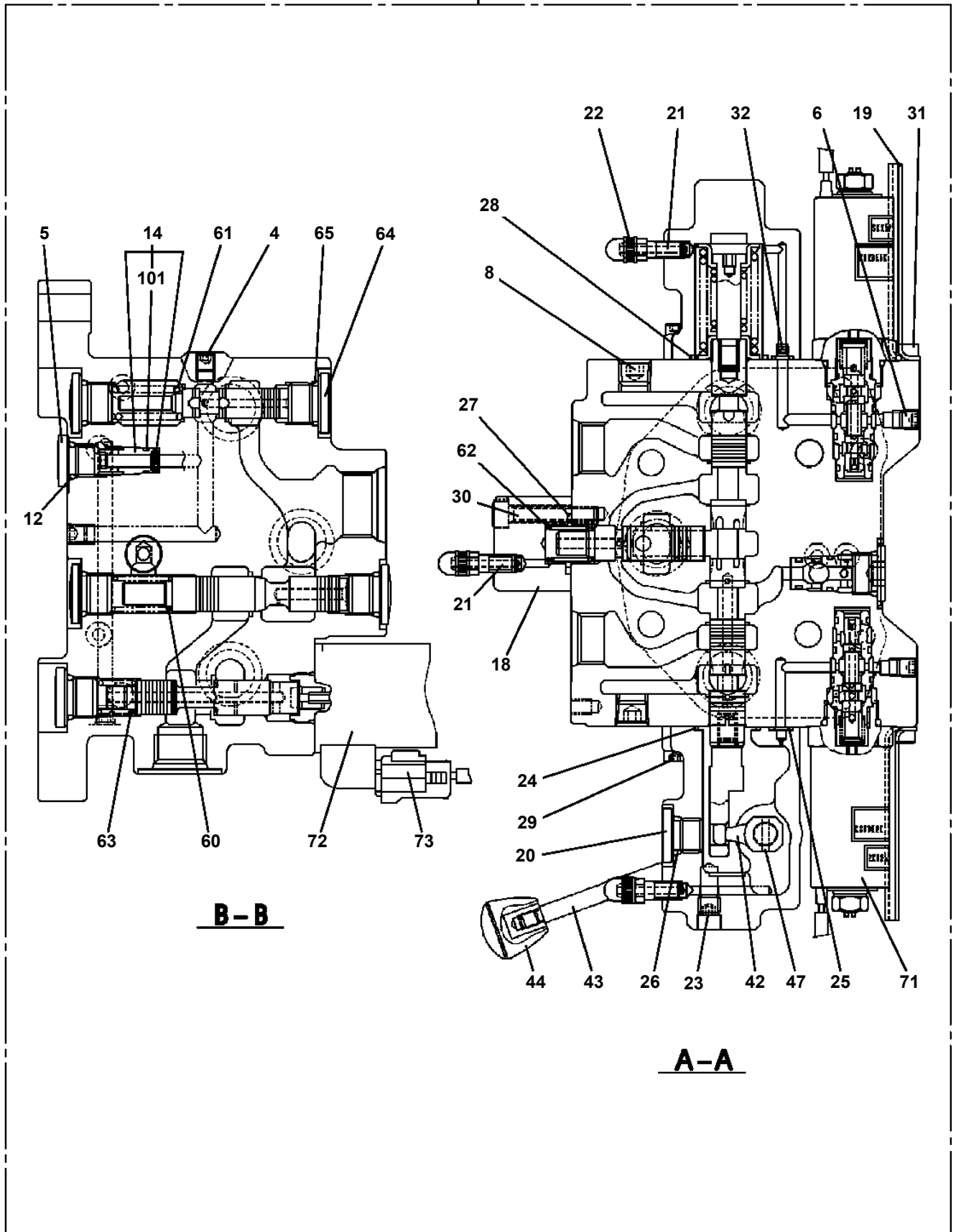


AT-146-3 4301110027 UPPER

Pos No.	Parts No	Parts Name	Qty	Unit	Technical Data	Serial No (Start)	Serial No (End)	Remarks
1	42272361101	COVER	1					
2	42272361201	COVER	1					
3	42272361300	COVER	1					
4	90101206016	BOLT	6		M6X16			
5	80172803008	SCREW,MACHINE	8		M3X8			
6	90201500300	NUT	8		M3			
7	90302510301	WASHER,SPRING (SUS 3)	8					
8	82466100702	CATCH	2					
9	80172804012	SCREW,MACHINE	12		M4X12			
10	90201500400	NUT	12		M4			
11	90302510401	WASHER,SPRING	12		4			
12	82464110305	HINGE	2					
13	90302040601	WASHER,SPRING	6		6			
14	90303070601	WASHER,PLAIN	6		6			
50	42272361002	COVER	1					

AT-146-3 43011100027 UPPER
PL1250084-02 VALVE,CONTROL

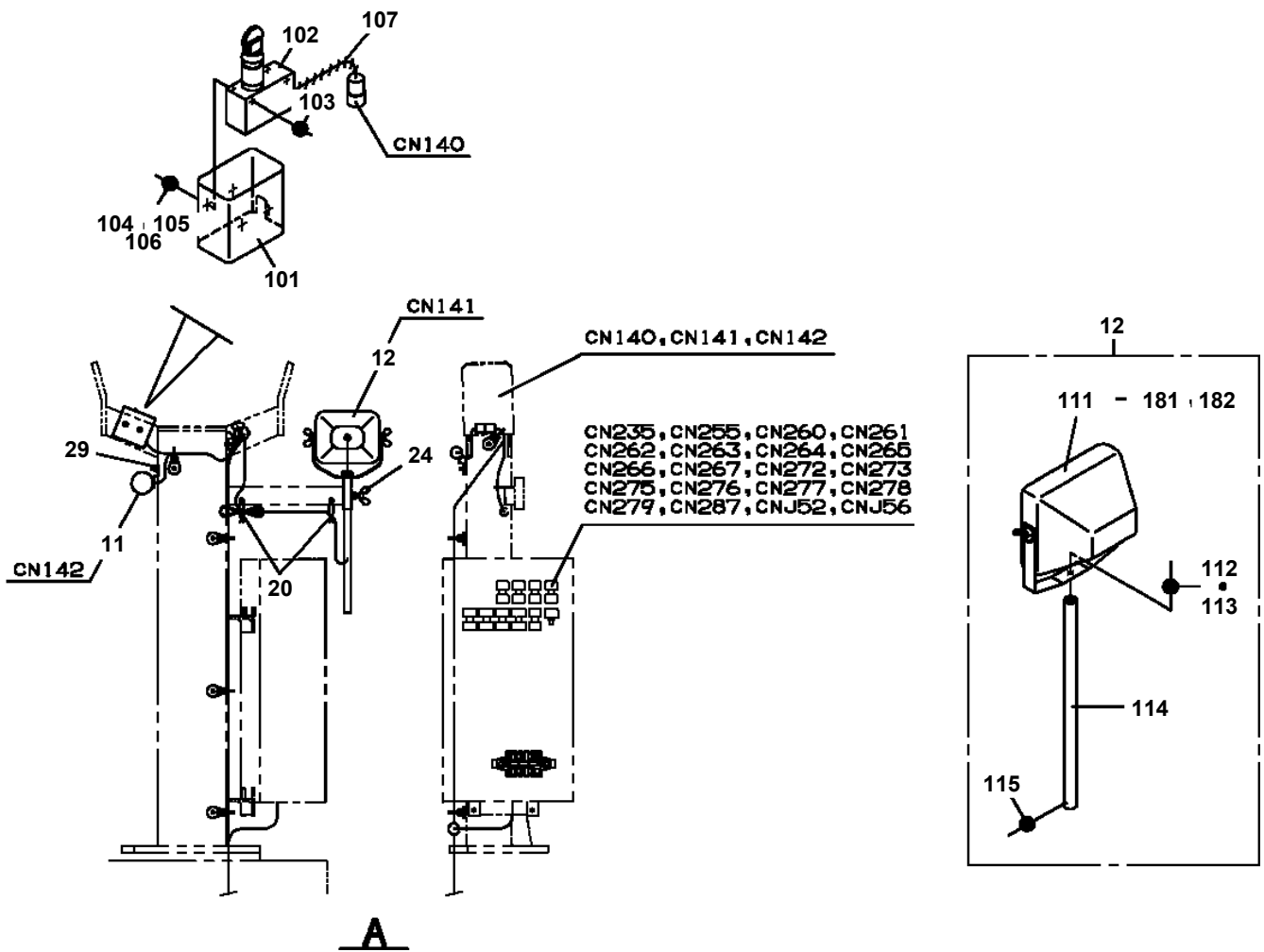
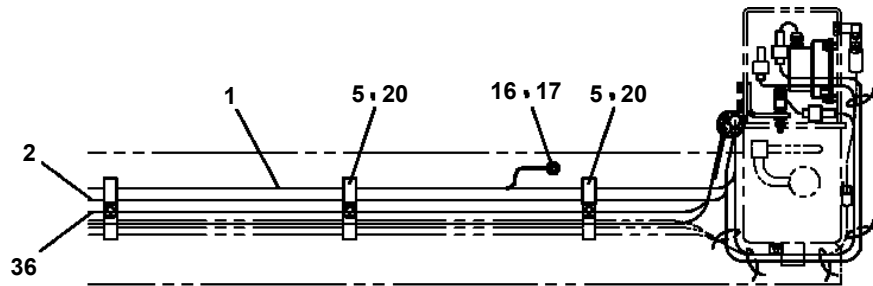
200



AT-146-3 4301110027 UPPER

Pos No.	Parts No	Parts Name	Qty	Unit	Technical Data	Serial No (Start)	Serial No (End)	Remarks
1	36663955100	SHAFT	1					
2	80500006206	BEARING,BALL	1					
4	91001206500	O-RING	1		1A G65			
5	36660025021	COVER (OIL SEAL)	1					
6	36660025140	SEAL,OIL	1					
7	36663485110	RING,RETAINING	1		R72			
8	36663955020	PLATE,THRUST	1					
9	36663955030	BARREL ASSY (CYLINDER)	1					
10	36663955040	PLATE (VALVE)	1					
11	36661925030	COVER (BOTTOM)	1					
12	80500006203	BEARING,BALL	1					
13	36662355110	PIN	2					
14	36663955050	O-RING	1					
15	36663955060	BOLT	6		M10X35			
16	14125151020	KEY	1					
17	36660125060	PLUG	2		PF3/8			
18	36081315130	PROTECTOR (THREAD)	2					
44	36660025100	SPRING (PLUNGER)	5					
45	14125151300	RING,RETAINING	1					
46	12645103171	SPRING (CENTER)	1					
100	36664070000	MOTOR,OIL	1					

**AT-146-3 43011100027 UPPER
PN1014605-03 ELEC.ASSY (FRAME)**



AT-146-3 4301110027 UPPER

Pos No.	Parts No	Parts Name	Qty	Unit	Technical Data	Serial No (Start)	Serial No (End)	Re
1	42502782010	PLATE,NAME	1					
2	42736070100	SWITCH ASSY (WITH HARNESS)	1					
3	42473830020	SWITCH	1					
4	42502782100	HARNESS	1					
5	91810130230	FASTENER	4					
6	42475511100	JOINT,SELF SEALING	2					
7	82100000665	CAP (BLACK)	1					
8	91810132530	FASTENER	N					
9	42474421100	SWITCH	1					
10	90201200600	NUT	2		M6			
11	90302040601	WASHER,SPRING	2		6			
12	42502782200	HARNESS	1					
13	89671101500	TUBE	2		L=1500			
14	42392583090	PLATE,CAUTION	1					
17	82100001801	TUBE,CORRUGATE	1	M	7	229425		

AT-146-3 4301110027 UPPER

Pos No.	Parts No	Parts Name	Qty	Unit	Technical Data	Serial No (Start)	Serial No (End)	Re
2	42737850100	GUARD	4					
4	90280200600	NUT,FLANGE	16		M6			
5	42736070100	SWITCH ASSY (WITH HARNESS)	1					
6	82199514013	CAP	1					
7	42502980010	PLATE,NAME	1					
8	82199504017	NUT	1		AT-401N			
9	42502030100	SUPPORT	4					
11	37000306130	SPACER	8		L=8			
12	37000302980	SPACER	8		L=10			
13	90186206030	BOLT,FLANGE	16		M6X30			
21	82199444327	LAMP (YELLOW)	4		24V 12W			
22	90186206025	BOLT,FLANGE	16		M6X25			
23	82199444328	LAMP (YELLOW)	4		24V 12W			
24	42502980100	SUPPORT	4					
25	82199444329	LAMP (YELLOW)	4		24V 12W			
26	42505221100	GUARD (STEEL CAST)	4					
	42505221200	GUARD	4					
27	90280200600	NUT,FLANGE	8		M6			
28	90186206030	BOLT,FLANGE	8		M6X30			
41	82166600010	BULB,LAMP	12		24V/12W			

AT-146-3 43011100027 UPPER

Pos No.	Parts No	Parts Name	Qty	Unit	Technical Data	Serial No (Start)	Serial No (End)
6	82105220286	SWITCH,TOGGLE	3				
50	42651591300	SWITCH ASSY (WITH HARNESS,3 SW)	1				

AT-146-3 43011100027 UPPER

Pos No.	Parts No	Parts Name	Qty	Unit	Technical Data	Serial No (Start)	Serial No (End)	Remarks	Pages
5	36160017550	HANDLE	1						
	36160017550	HANDLE	1						
	36160017550	HANDLE	1						
6	36160655020	SHAFT	1						
	36160655020	SHAFT	1						
	36160655020	SHAFT	1						
7	36160017560	WASHER,PLAIN	1						
	36160017560	WASHER,PLAIN	1						
	36160017560	WASHER,PLAIN	1						
8	36160655050	PLATE (RING)	1						
	36160655050	PLATE (RING)	1						
	36160655050	PLATE (RING)	1						
10	36160017590	PLATE (CONTACT)	1						
	36160017590	PLATE (CONTACT)	1						
	36160017590	PLATE (CONTACT)	1						
50	36160650000	REEL,CORD	1						
	36160650000	REEL,CORD	1						
	36160650000	REEL,CORD	1						

AT-146-3 43011100027 UPPER

Pos No.	Parts No	Parts Name	Qty	Unit	Technical Data	Serial No (Start)	Serial No (End)	Remarks	Pages
1	42391164010	PLATE,NAME	1						
2	42398322010	PLATE,NAME	1						
3	42398322020	PLATE,NAME	1						
4	42399342010	PLATE,NAME	1						
5	42393204010	PLATE,NAME	1						
6	42398322060	PLATE,NAME	1						
7	42398322050	PLATE,NAME	1						
8	42391582010	PLATE,NAME	1						
9	42475910010	PLATE,NAME	1						
10	42399342020	PLATE,NAME	1						

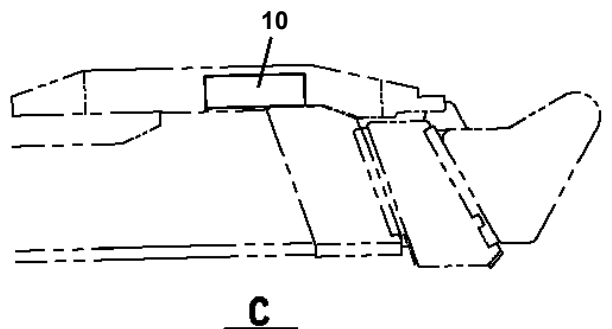
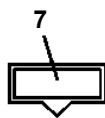
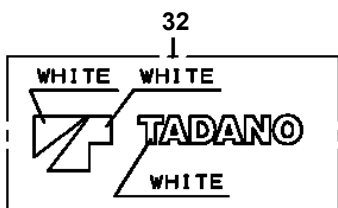
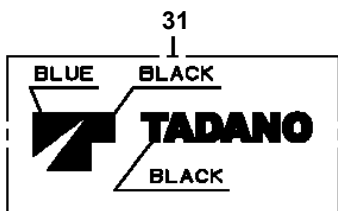
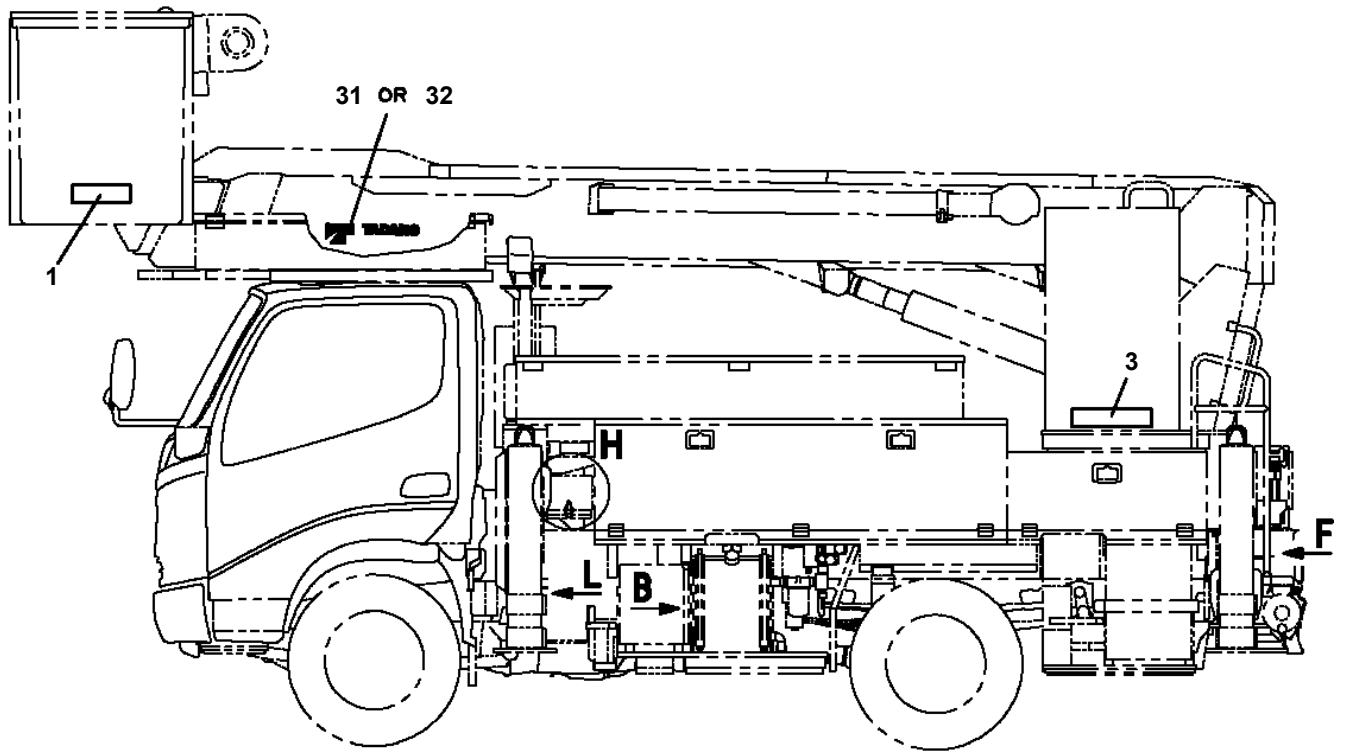
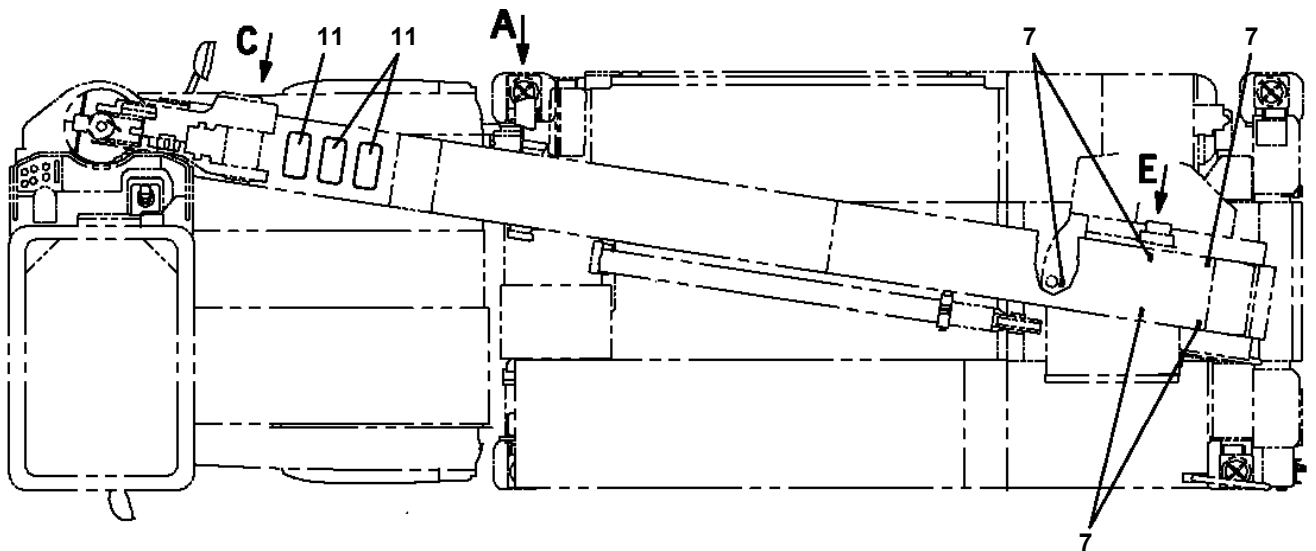
AT-146-3 43011100027 UPPER

Pos No.	Parts No	Parts Name	Qty	Unit	Technical Data	Serial No (Start)	Serial No (End)	F
1	42390780040	PLATE,NAME (WORKING SWITCH)	1					
2	42391701020	PLATE,NAME (AMC)	1					
3	42395882010	PLATE,CAUTION	1					
4	42398293010	PLATE,CAUTION	1					
5	37002201980	PLATE,NAME	2					
6	42394782040	PLATE,CAUTION	1					
8	90451700100	SCREW,TAPPING	4		M4X6.4			
9	37002226530	PLATE,NAME	1					
10	37002212700	PLATE,NAME	1					
11	42395081120	PLATE,NAME	1					
12	42398293020	PLATE,NAME	1					
13	42396051080	PLATE,CAUTION	1					
14	42398293030	PLATE,NAME	4					

AT-146-3 43011100027 UPPER

Pos No.	Parts No	Parts Name	Qty	Unit	Technical Data	Serial No (Start)	Serial N
1	42397041010	PLATE,NAME	1				
2	37002209540	PLATE,NAME (TADANO)	2				228251
3	42395131010	PLATE,NAME (AT-146TE)	1				
4	(*****)	PLATE,NAME (LIVE-LINE WORKING DEVICE)	1				
5	37002202120	PLATE,NAME (HIGH/LOW)	1				
6	37002201980	PLATE,NAME	3				
7	12117140000	PLATE,NAME (GREASE)	12				
8	42399001010	PLATE,NAME (FUSE)	1				
9	42394271310	PLATE,NAME (MARKING)	8				
10	42398291040	PLATE,NAME	1				
11	42393312020	PLATE (NON-SLIP)	3				
12	42930890210	PLATE,NAME	1				
41	37002228460	PLATE,NAME (BLUE & BLACK)	2			228252	
42	37002228470	PLATE,NAME (WHITE & WHITE)	2			228252	

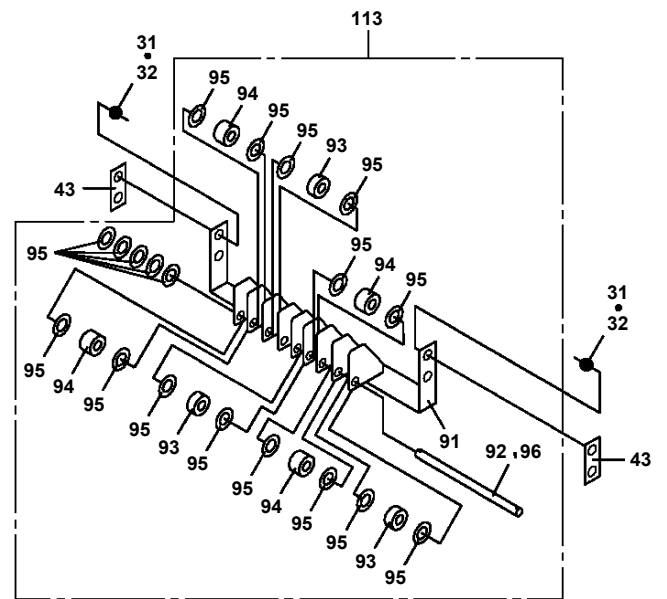
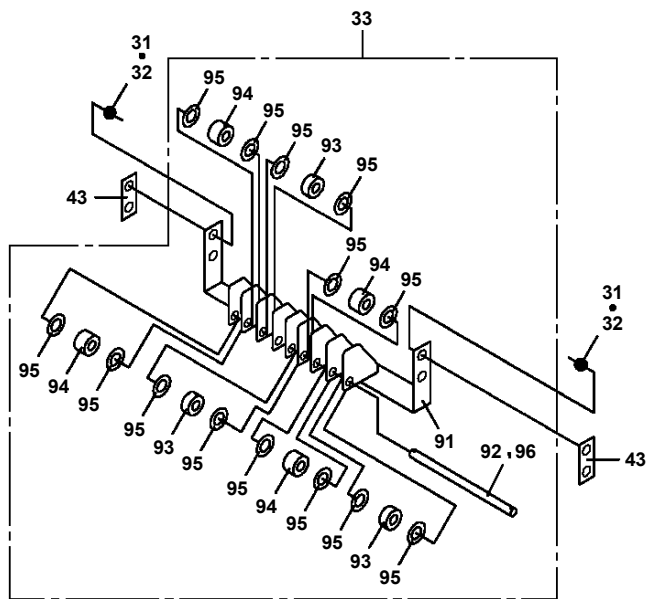
AT-146-3 43011100027 UPPER
 PO1015674-00 PLATE ASSY,NAME



AT-146-3 43011100027 UPPER

Pos No.	Parts No	Parts Name	Qty	Unit	Technical Data	Serial No (Start)	Serial No (End)	Rema
20	42332677560	SPRING	1					
25	42332677520	PLUG	1					
26	42332677530	BOOT	1					
36	42332677590	STOPPER	1					
41	42332677600	SPRING	2					
45	42332677610	COVER	1					
46	42332677620	CAP	1					
53	42332677630	BEARING	2					
54	42332677540	SPRING	1					
55	42332677650	SPRING	2					
61	42332677660	WASHER	1					
100	42332672003	OPE.ASSY (LEVER,CONTROL)	1					

**AT-146-3 43011100027 UPPER
PP6060002-02 PIPING ASSY,BOOM**



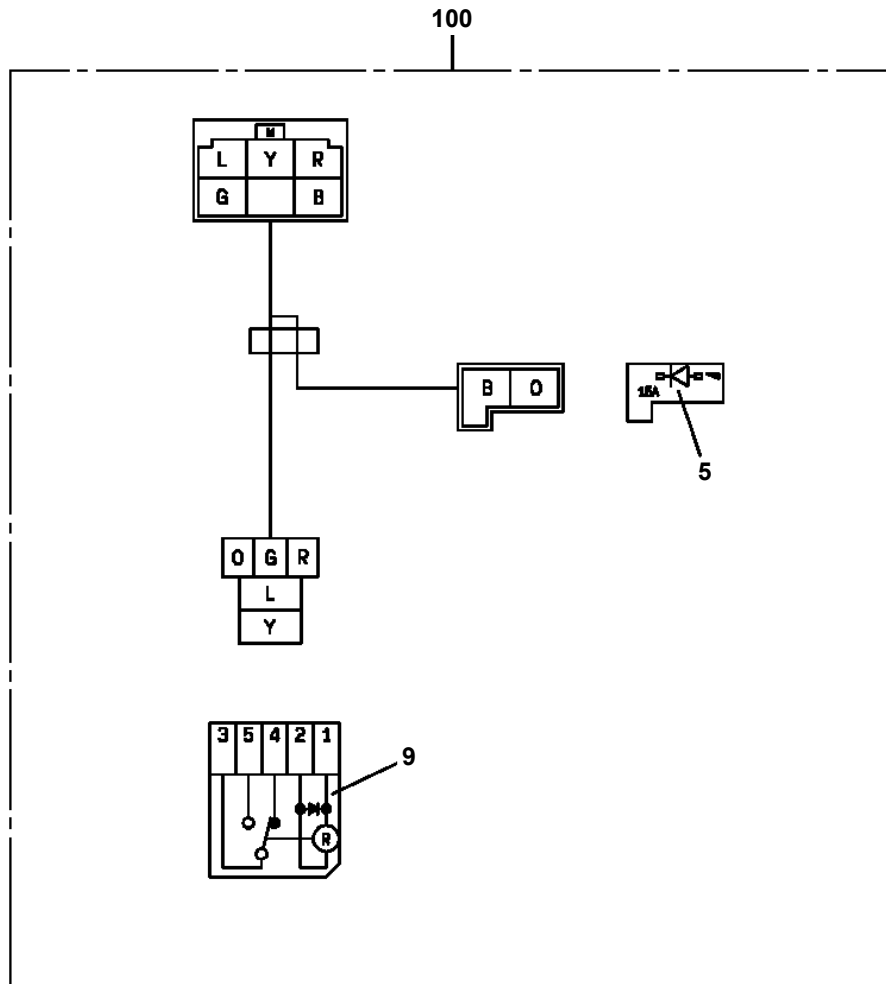
AT-146-3 4301110027 UPPER

Pos No.	Parts No	Parts Name	Qty	Unit	Technical Data	Serial No (Start)	Serial No (End)	Re
99	80303130141	FITTING,ELBOW	2		KLO12-020E			
100	42346832100	JOINT	1			228338		
101	37000926900	JOINT (WITH O-RING)	2		L,G3/8-G1/4	228791		
102	42340240230	ORIFICE	2			228791		
103	37000921890	JOINT	1					
	37000921890	JOINT	1			228791		
104	91002801400	O-RING	10		1B P14			
	91002801400	O-RING	2		1B P14		228790	
	91002801400	O-RING	3		1B P14	228791		
111	91071011500	O-RING	1		Y22550-115-A			
112	91470000600	RING,BACKUP	1		Y22021-06			
121	42346831102	JOINT	1					
122	80400160127	JOINT	2					
123	80471020502	JOINT	1					
124	80430620400	JOINT	1					
128	91002801100	O-RING	9		1B P11			
131	80316070040	PLUG	1		PF1/4			
132	80303130181	FITTING,ELBOW	1		KLO15-030E			

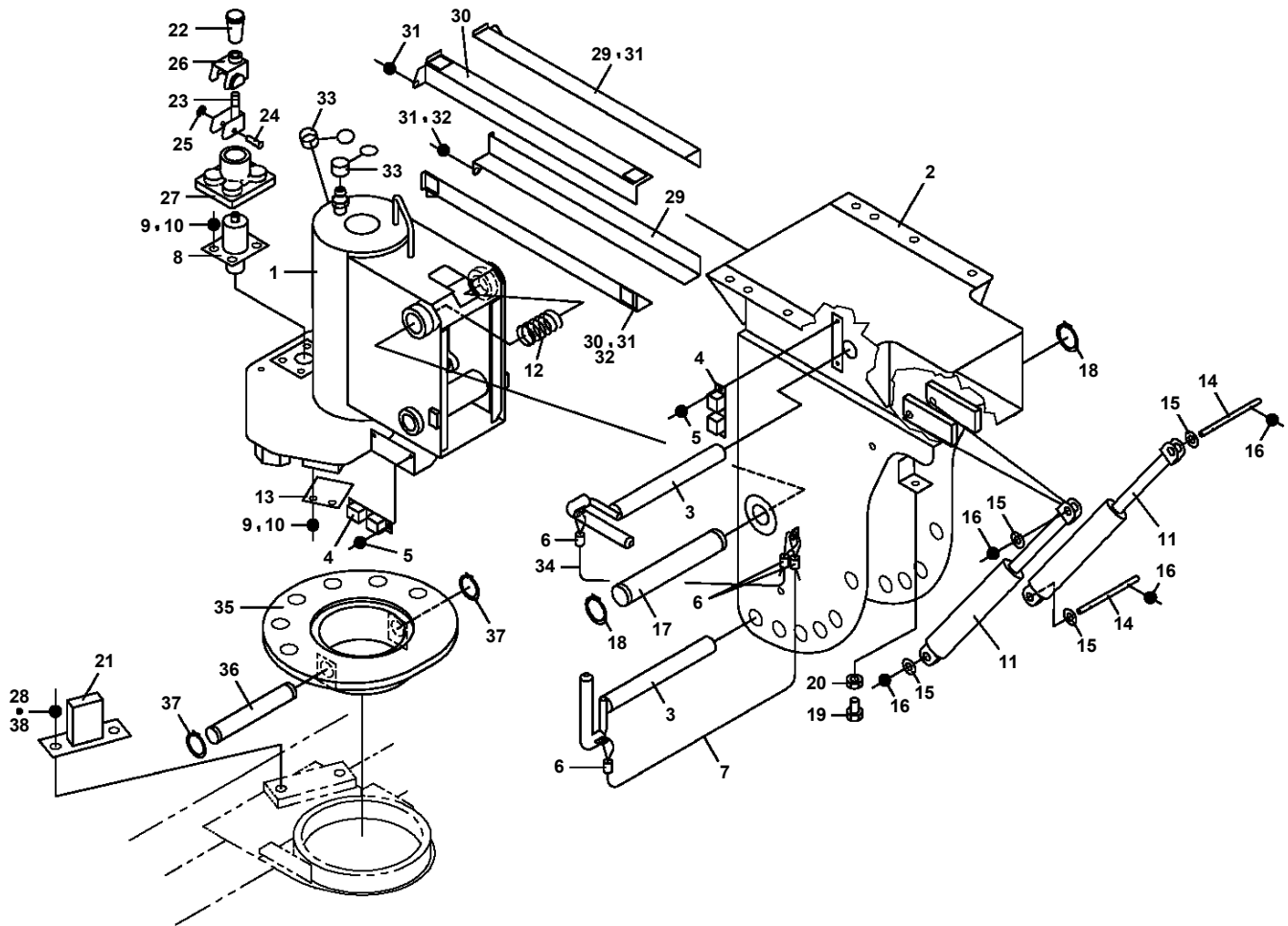
AT-146-3 4301110027 UPPER

Pos No.	Parts No	Parts Name	Qty	Unit	Technical Data	Serial No (Start)	Serial No (End)	Remarks
1	36160650000	REEL,CORD	1					
	36160650000	REEL,CORD	1					
2	42733030100	CABLE ASSY	1		L=20100			
	42733030100	CABLE ASSY	1		L=20100			
3	82198103050	CLIP (WITH CAP/BLACK)	1					
	82198103050	CLIP (WITH CAP/BLACK)	1					
4	90201200500	NUT	1		M5		228890	
	90201200500	NUT	2		M5	228891	229519	
	90201200500	NUT	1		M5	229520		
5	90302040501	WASHER,SPRING	1		5		228890	
	90302040501	WASHER,SPRING	2		5	228891		
	90302040501	WASHER,SPRING	2		5	228891		
6	90303070501	WASHER,PLAIN	1		5		228890	
	90303070501	WASHER,PLAIN	2		5	228891		
	90303070501	WASHER,PLAIN	2		5	228891		
7	80173305010	SCREW,MACHINE	1			228891		
	80173305010	SCREW,MACHINE	1			228891		
8	80173304010	SCREW,MACHINE	1		M4X10	228891		
	80173304010	SCREW,MACHINE	1		M4X10	228891		
9	90201200400	NUT	1		M4	228891		
	90201200400	NUT	1		M4	228891		
10	90302040401	WASHER,SPRING	1		4	228891		
	90302040401	WASHER,SPRING	1		4	228891		
11	90303070401	WASHER,PLAIN	1		4	228891		
	90303070401	WASHER,PLAIN	1		4	228891		

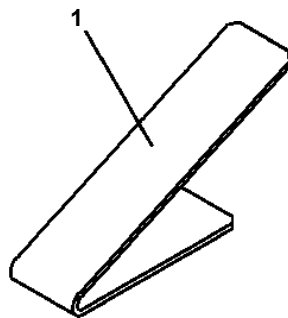
AT-146-3 43011100027 UPPER
PR5210003-00 RELAY



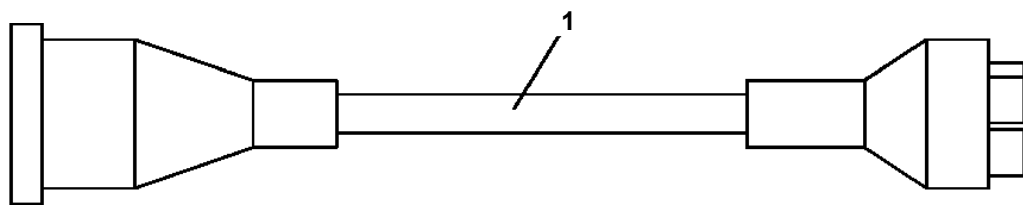
**AT-146-3 43011100027 UPPER
PS5420362-00 SUPPORT ASSY**



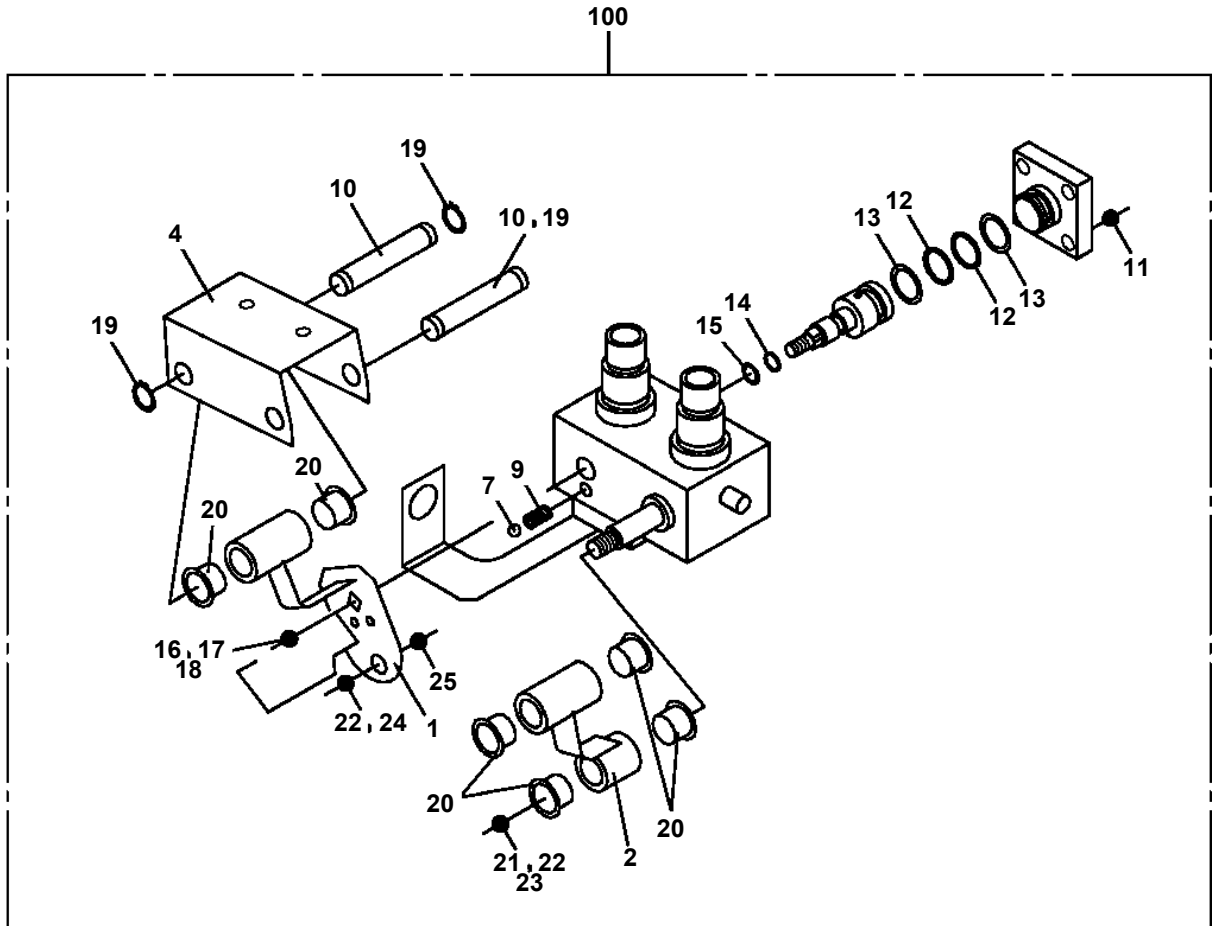
**AT-146-3 43011100027 UPPER
PS5550005-00 SUPPORT (7 DEGREES ANGLE METER MOUNTING)**



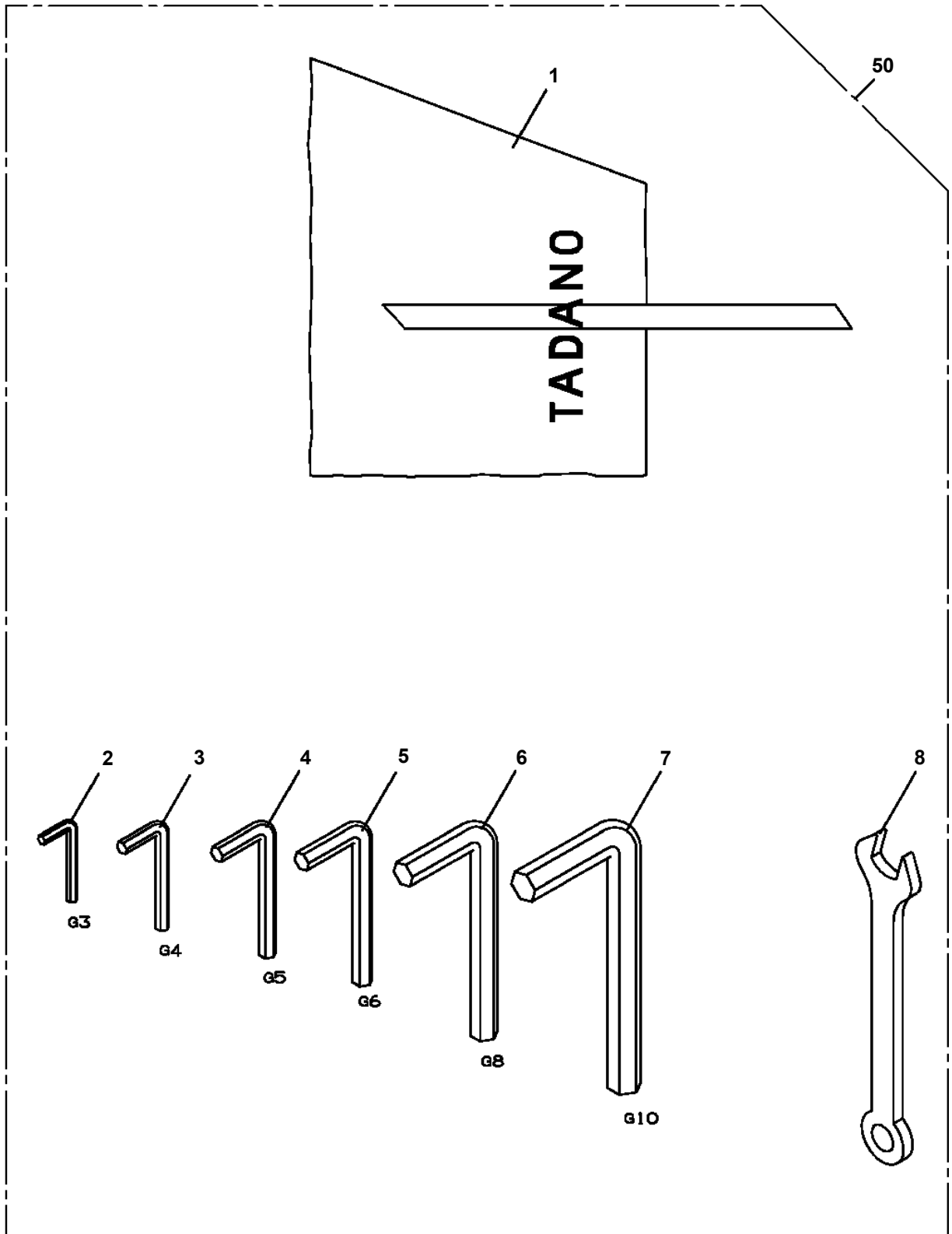
**AT-146-3 43011100027 UPPER
PV1300014-00 CABLE**



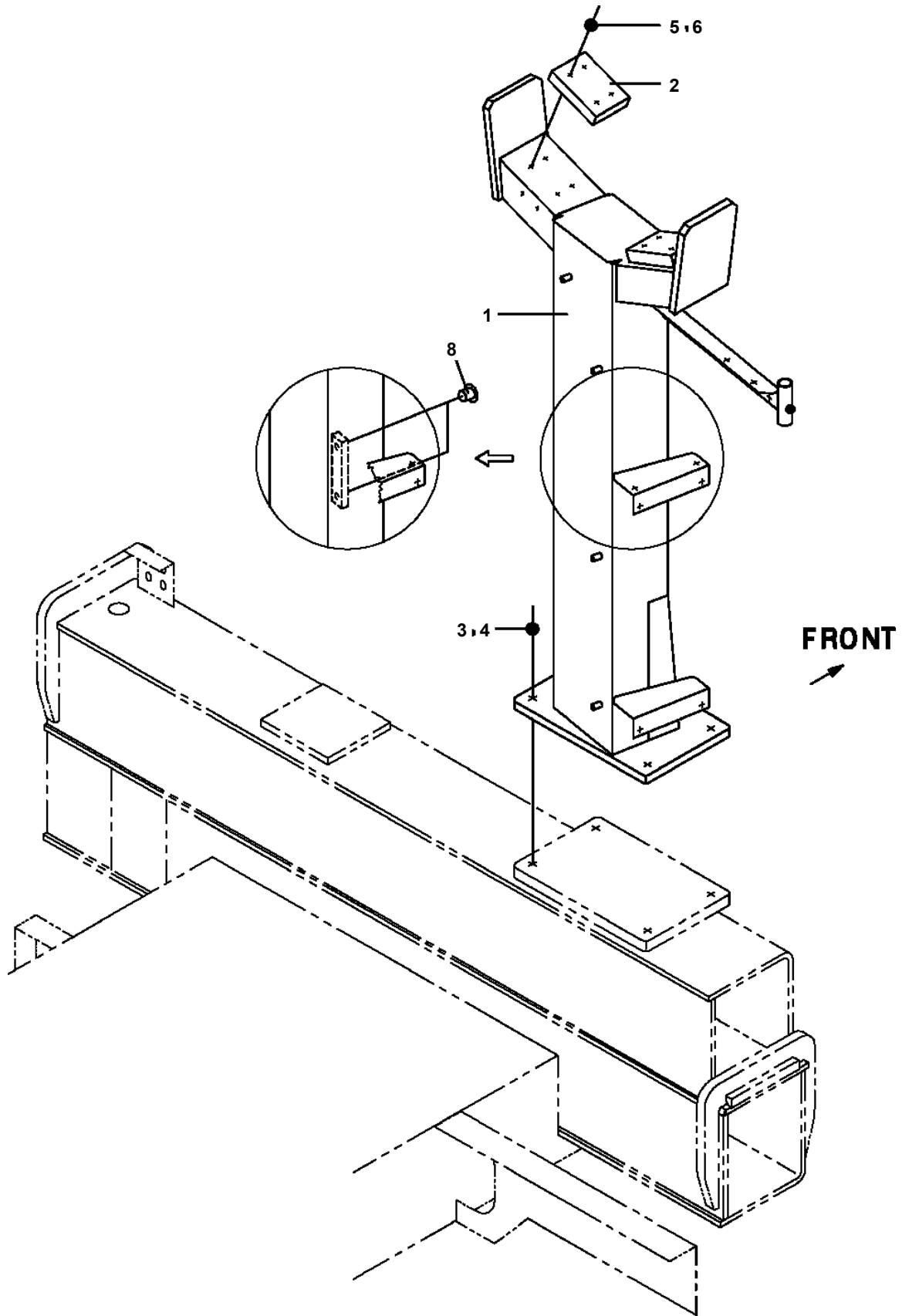
AT-146-3 43011100027 UPPER
PV5170004-00 VALVE ASSY,SELECTOR



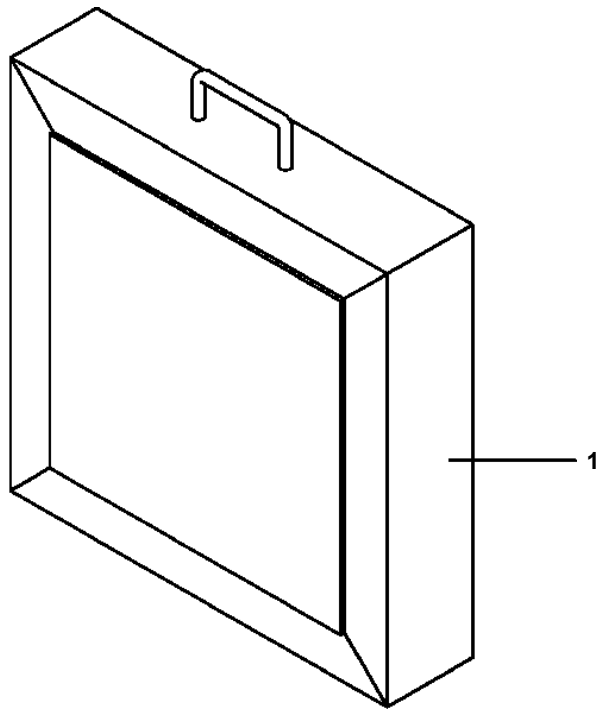
AT-146-3 43011100027 UPPER
PW1030047-01 TOOLS



**AT-146-3 43011100027 UPPER
PX1120604-01 BOOM REST**

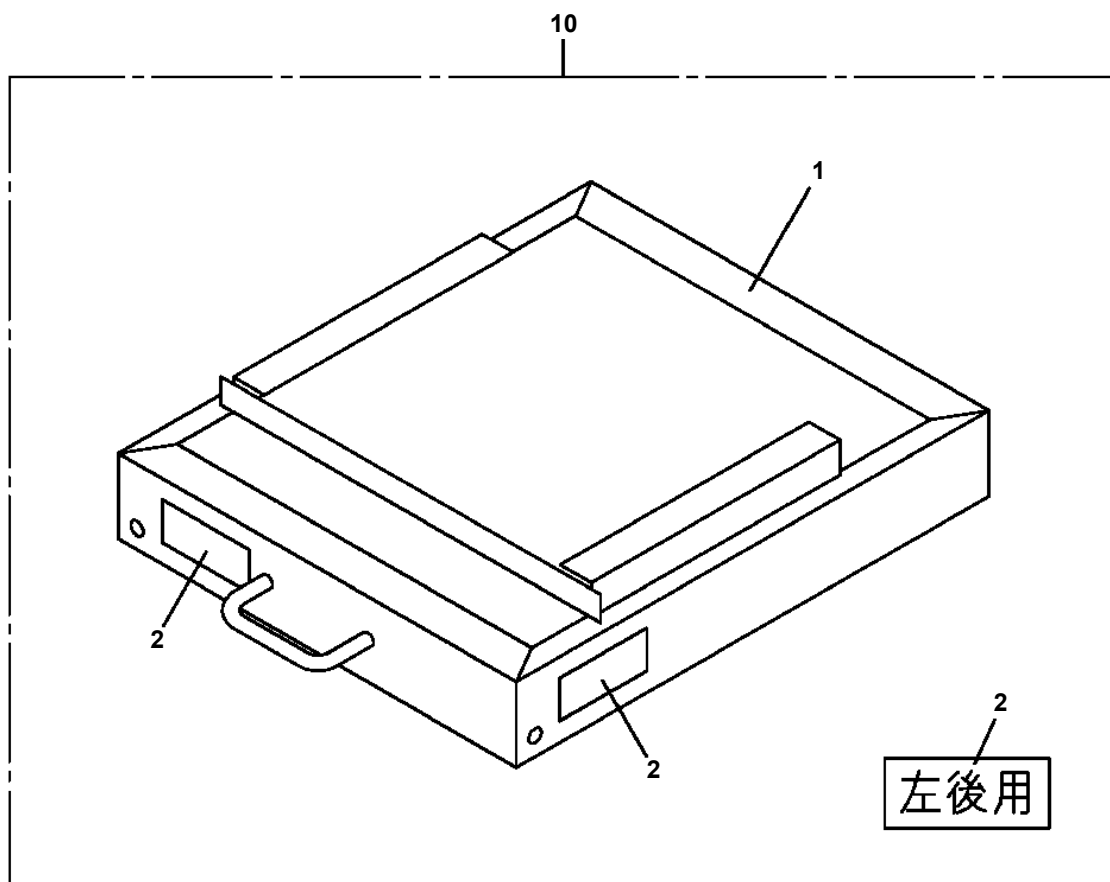


**AT-146-3 43011100027 UPPER
PX1270086-01 WOOD BLOCK (W=350,H=80)**



AT-146-3 43011100027 UPPER

PX1270163-01 BLOCK,WOOD (LEFT REAR:KANSAI DENRYOKU/DETACHABLE TYPE)



AT-146-3 43011100027 UPPER

Pos No.	Parts No	Parts Name	Qty	Unit	Technical Data	Serial No (Start)	Serial No (End)	Remarks	Pages
1	42501710000	BOX,TOOL	1						

AT-146-3 43011100027 UPPER

Pos No.	Parts No	Parts Name	Qty	Unit	Technical Data	Serial No (Start)	Serial No (End)	Remarks	Pages
1	42834441000	BOX,TOOL	1						00032
2	90101210025	BOLT	4		M10X25				
3	90303071001	WASHER,PLAIN	4		10				
4	90201201000	NUT	2		M10				
5	90302041001	WASHER,SPRING	4		10				
6	37000560120	PLATE	2		T=3.2				
8	42500870200	PLATE	2						
21	42394781030	PLATE (NON-SLIP)	4						

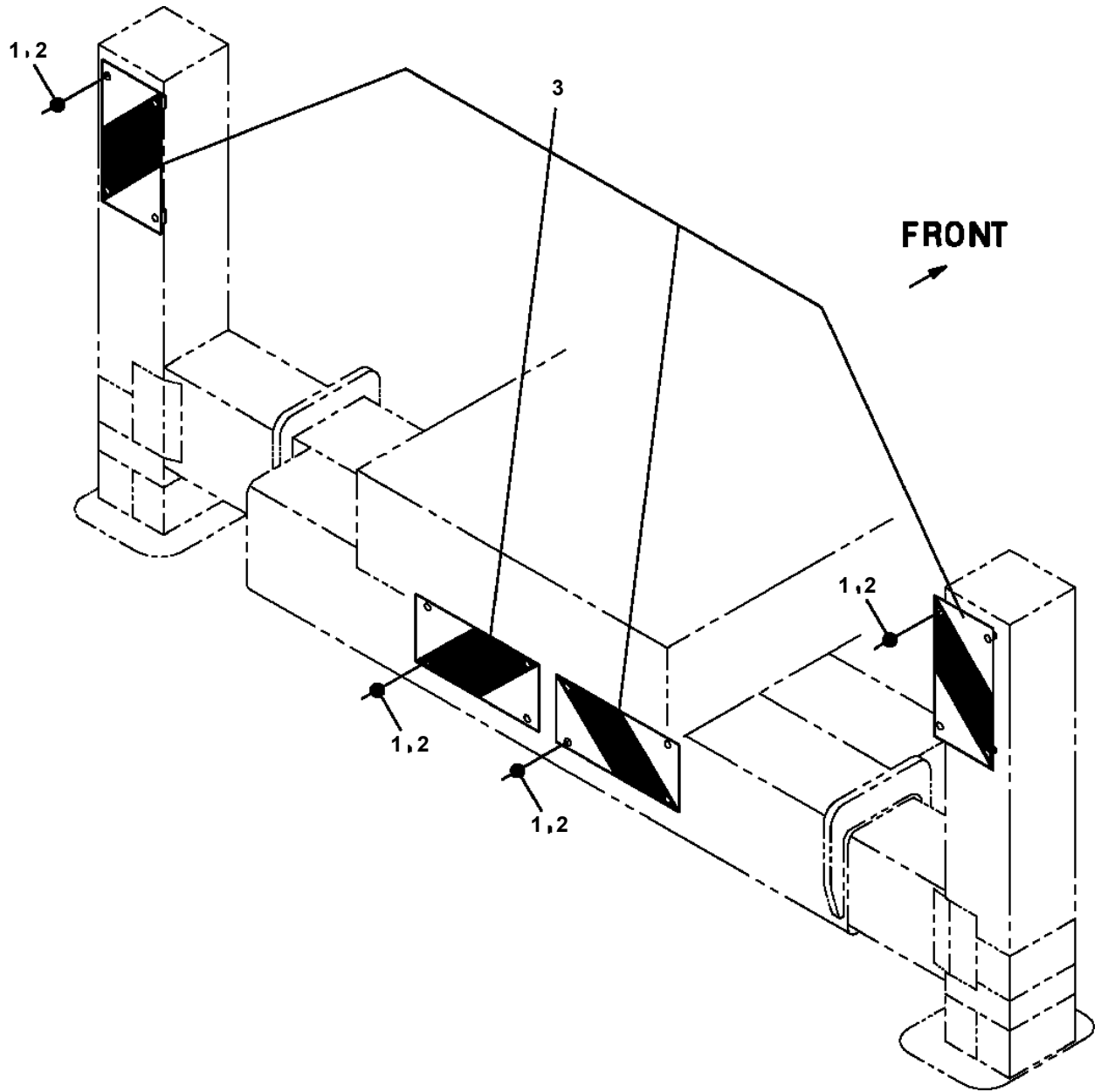
AT-146-3 43011100027 UPPER

Pos No.	Parts No	Parts Name	Qty	Unit	Technical Data	Serial No (Start)	Serial No (End)	Remarks	Page
1	80182306012	SCREW,MACHINE	12		M6X12				
2	90303070601	WASHER,PLAIN	12		6				
3	82440710230	PLATE,REFLECTOR	1						
4	82440710280	PLATE,REFLECTOR	2						

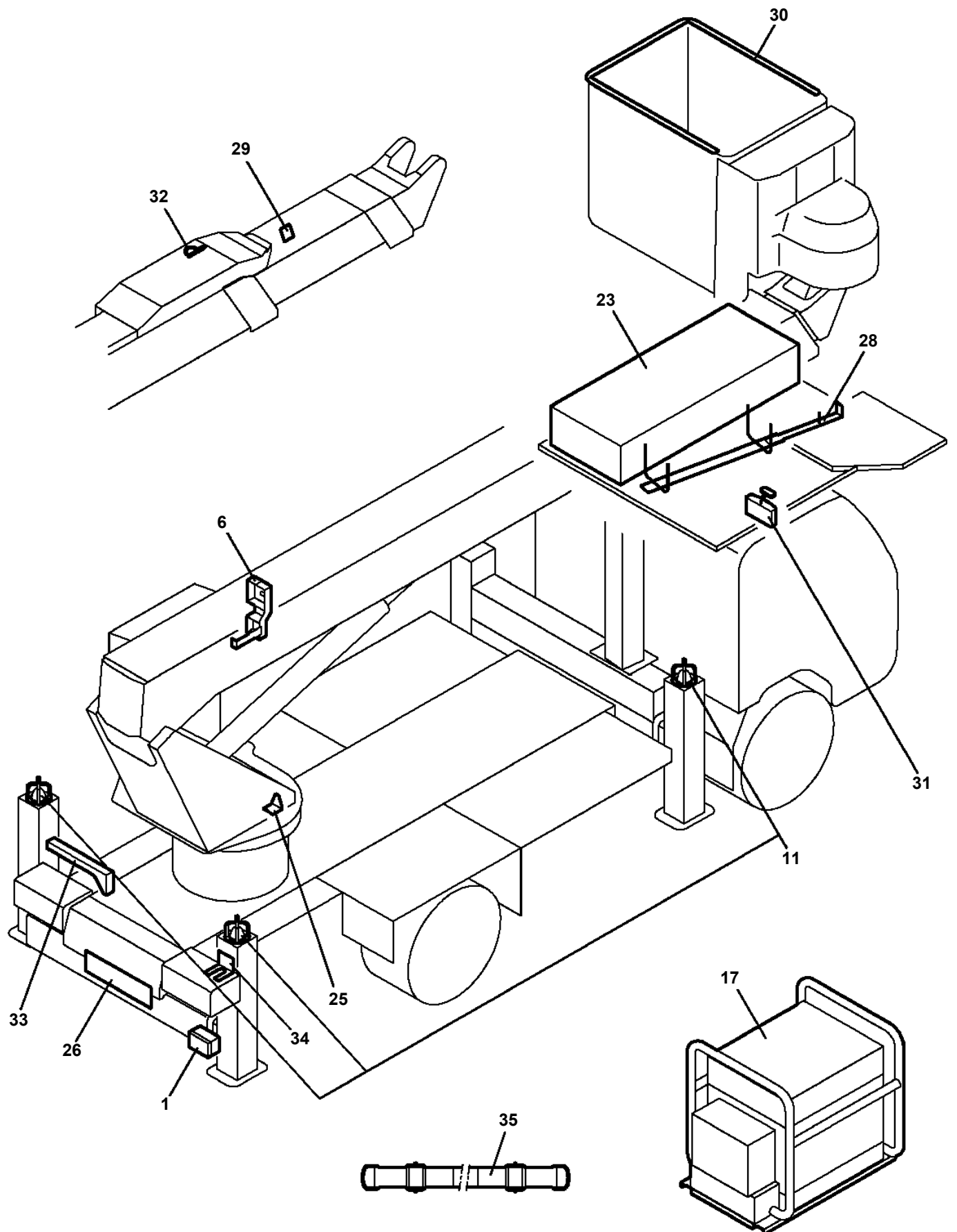
AT-146-3 43011100027 UPPER

Pos No.	Parts No	Parts Name	Qty	Unit	Technical Data	Serial No (Start)	Serial No (End)	Remarks	Pages
1	42837230100	SUPPORT	1				228399		
	42443500100	SUPPORT	1			228400	228475		
2	90101208016	BOLT	8		M8X16		228475		
	90101208018	BOLT	8		M8X18	228476			
3	90302040801	WASHER,SPRING	8		8				
4	82466003104	CAP	2				228475		
5	42443500200	SUPPORT	1			228476			
6	90303070801	WASHER,PLAIN	8		8	228476			

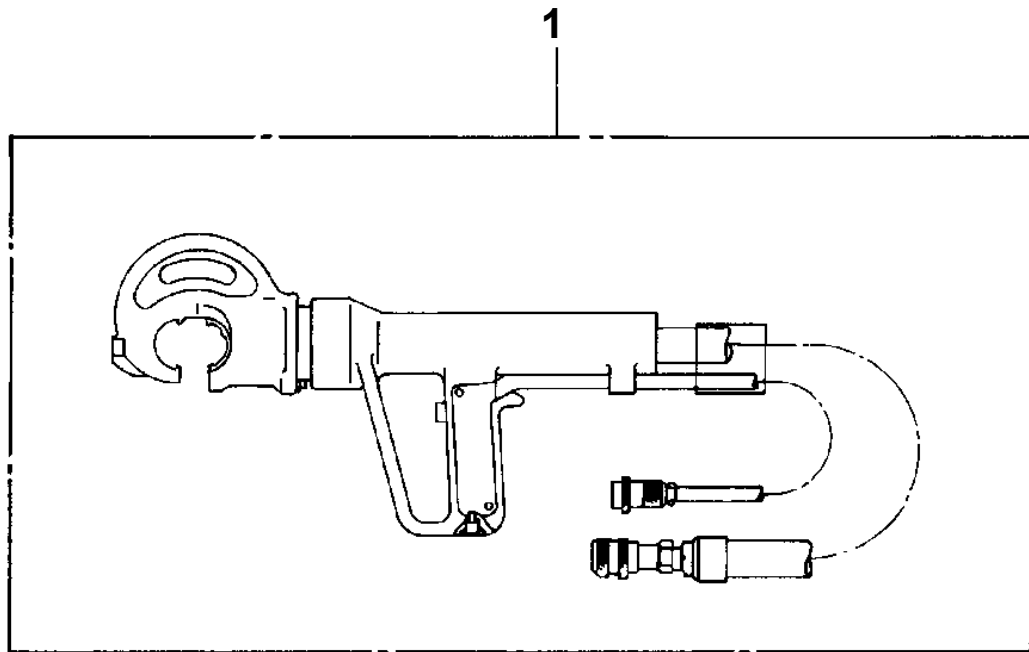
AT-146-3 43011100027 UPPER
PX5620004-01 MOUNT ASSY, REFLECTOR



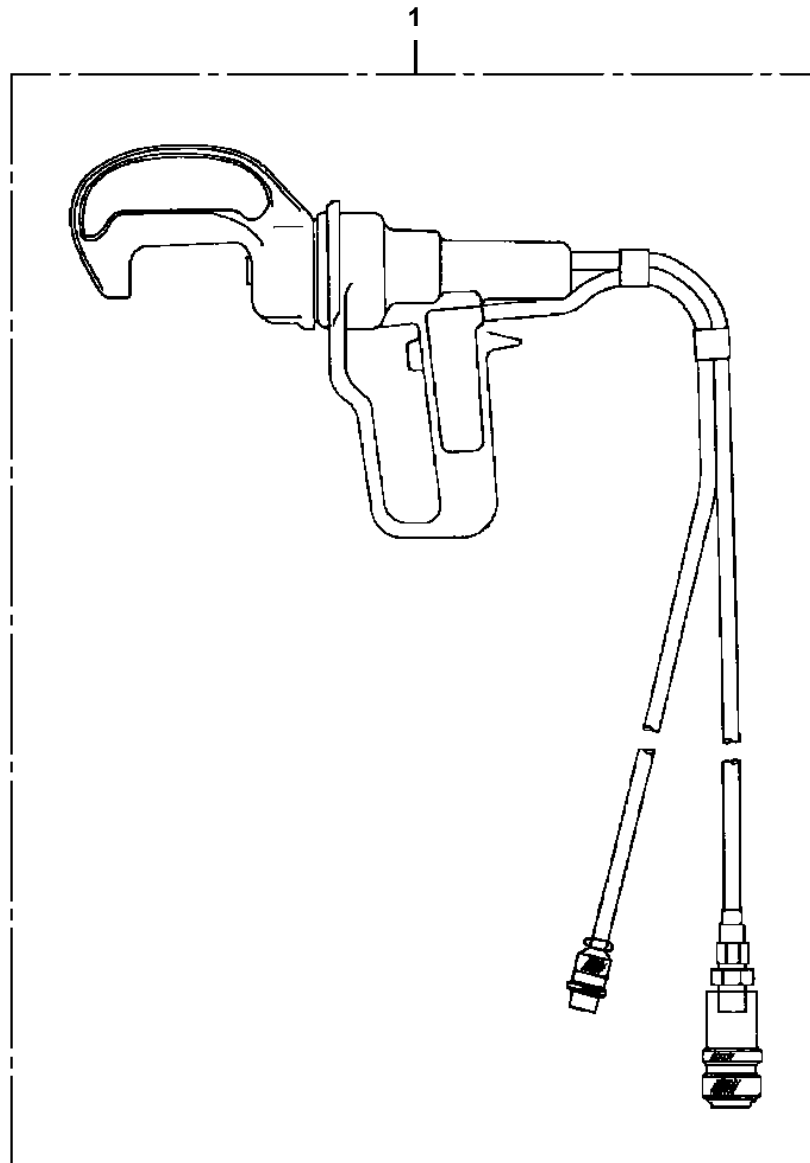
AT-146-3 43011100027 UPPER
PY1010002-02 OPTION UNIT,1



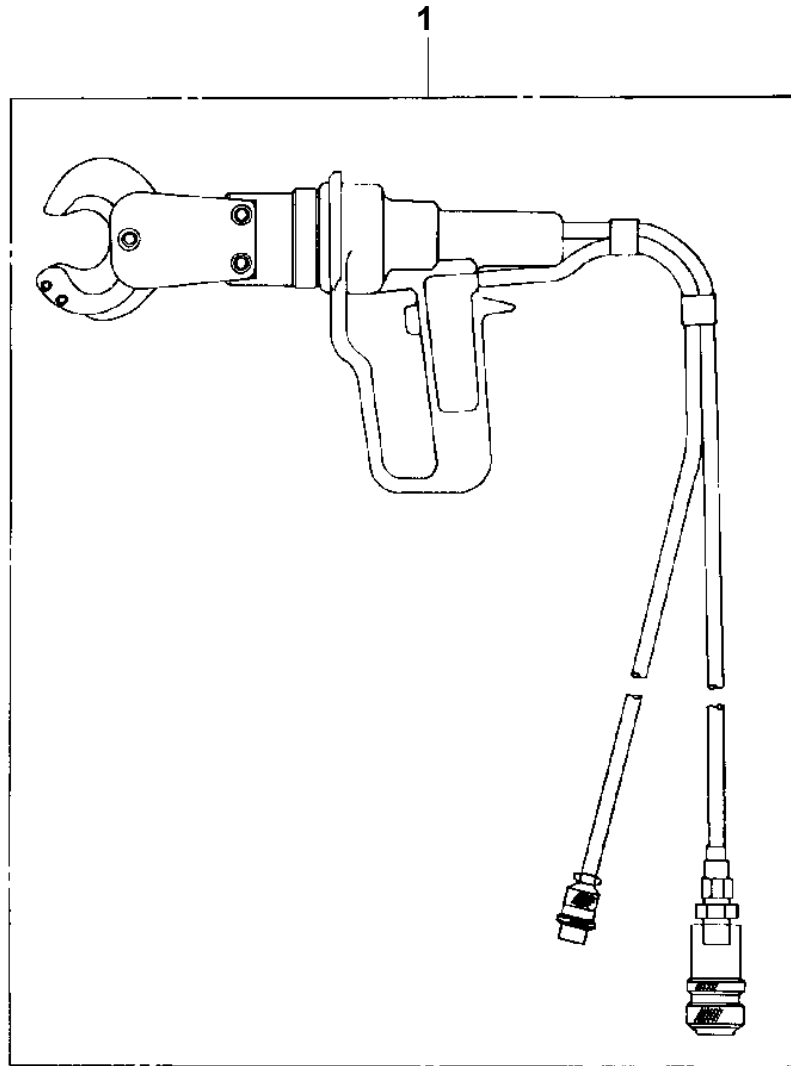
AT-146-3 43011100027 UPPER
PY1050000-00 CLAMP HEAD (IZUMI 12TON 2.5M)



**AT-146-3 43011100027 UPPER
PY1050008-01 CLAMP HEAD (IZUMI 8TON 3.5M ELECTRIC)**

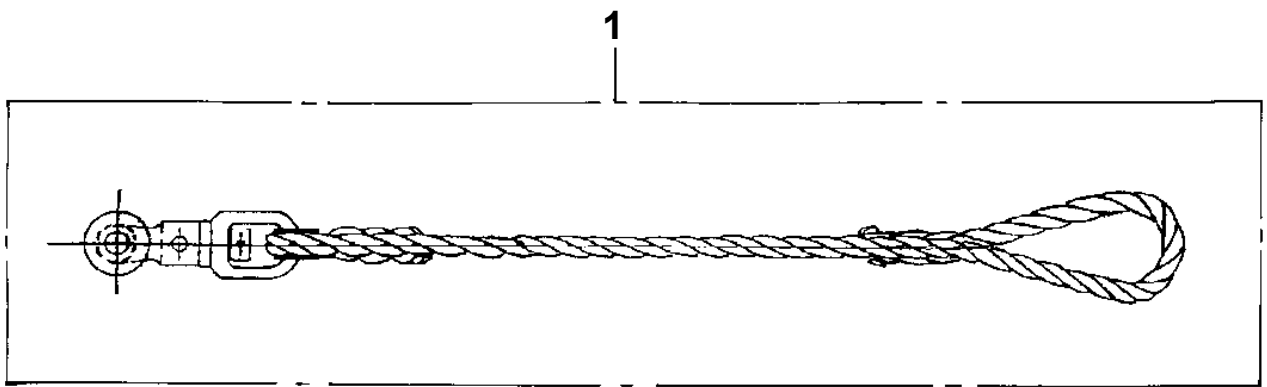


**AT-146-3 43011100027 UPPER
PY1060001-00 CUTTER HEAD (IZUMI 6.4TON 2.5M ELECTRIC)**

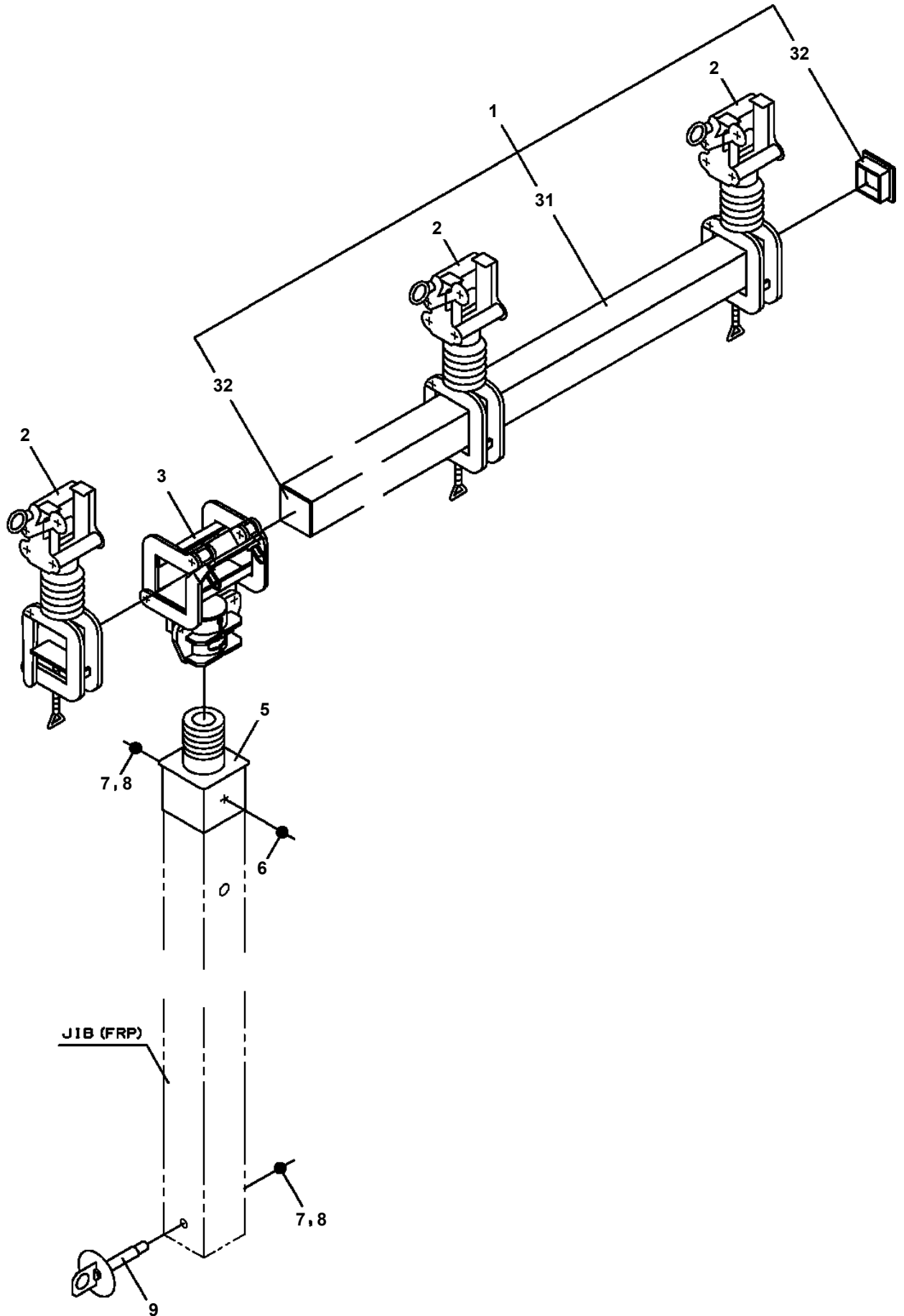


**AT-146-3 43011100027 UPPER
PY1070003-00 ROPE (SAFETY,WHITE)**

Assembly Name ROPE (SAFETY)

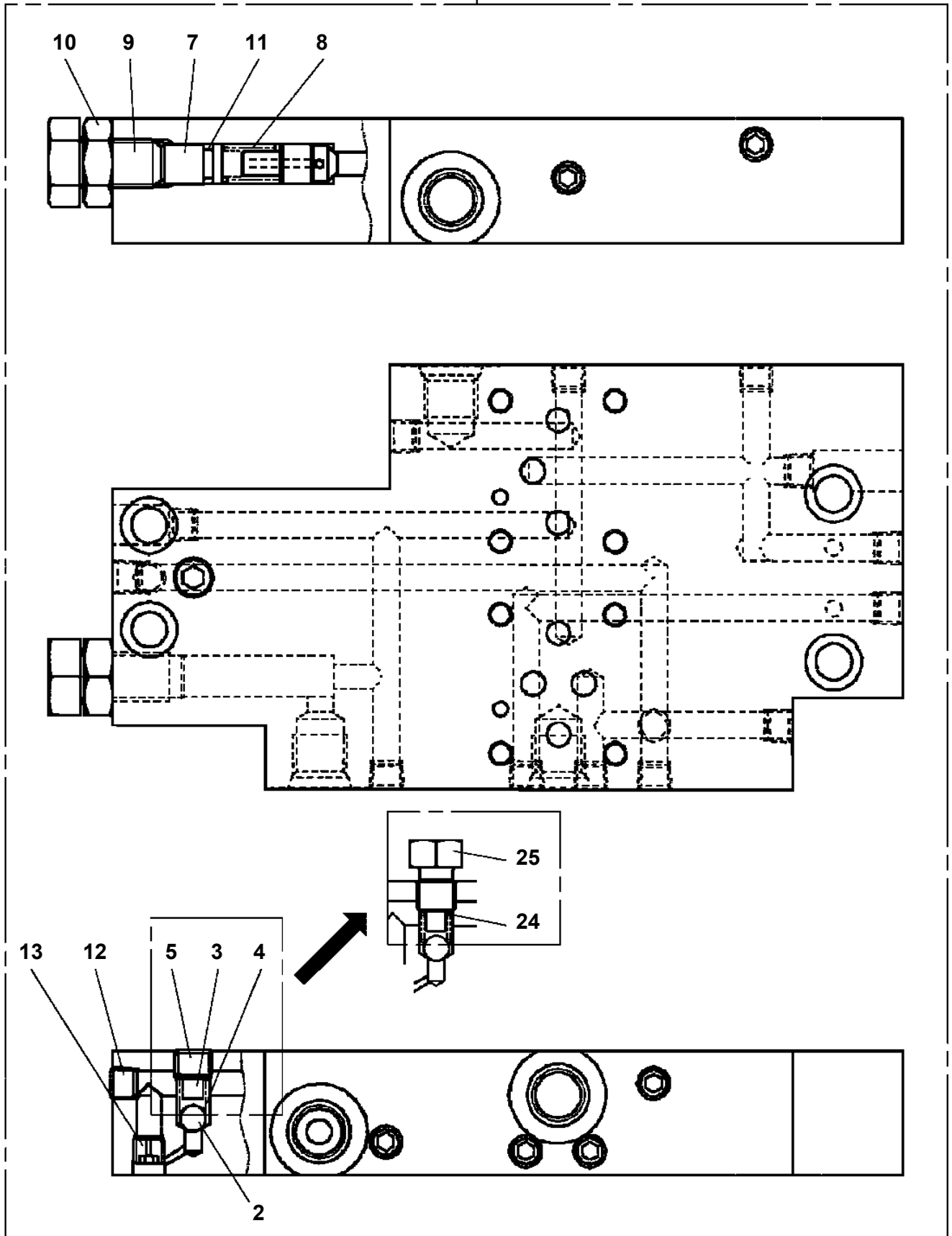


AT-146-3 43011100027 UPPER
PY1080034-00 ARM

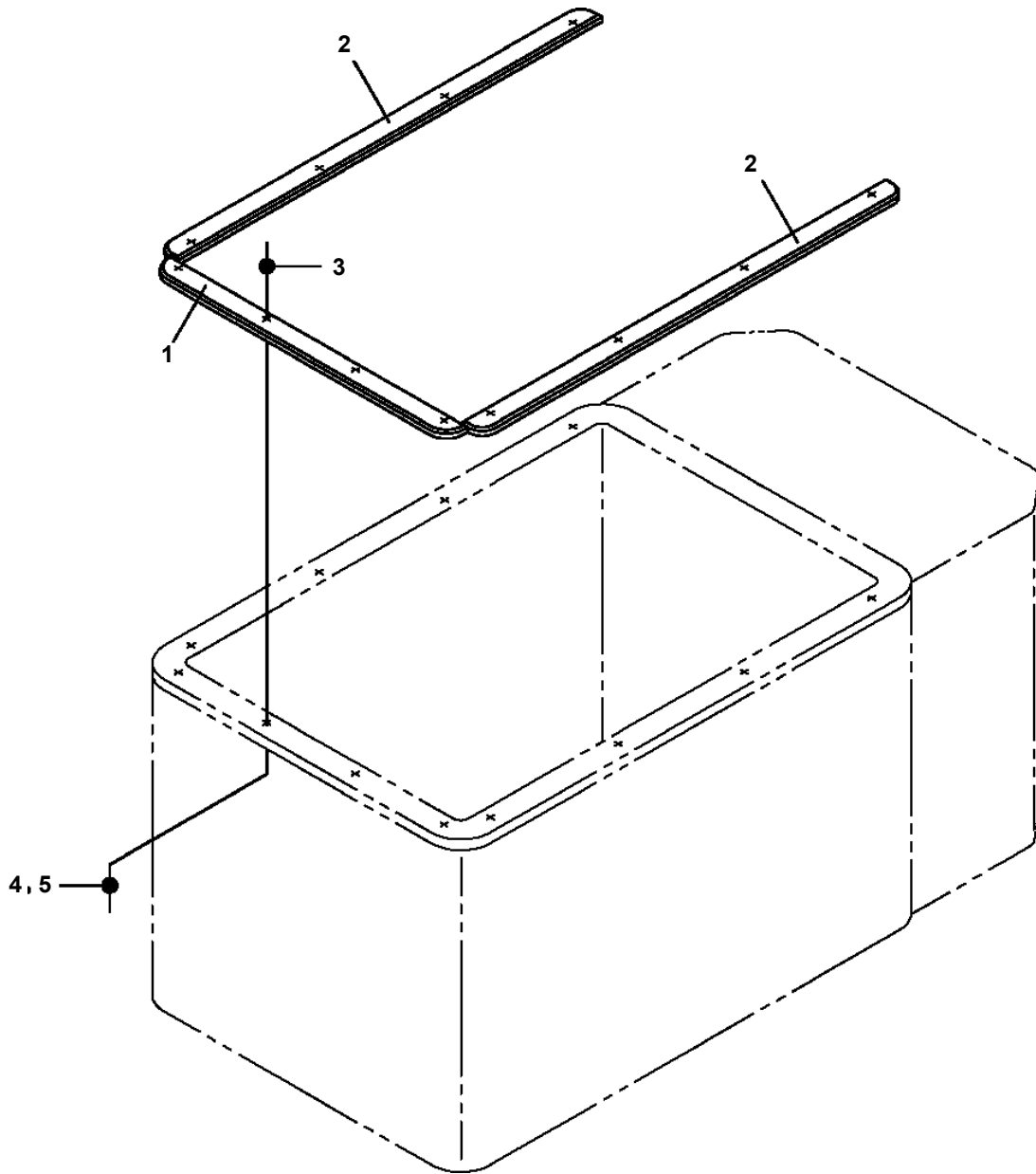


AT-146-3 43011100027 UPPER
PY1160211-01 BOOSTER (JOINT)

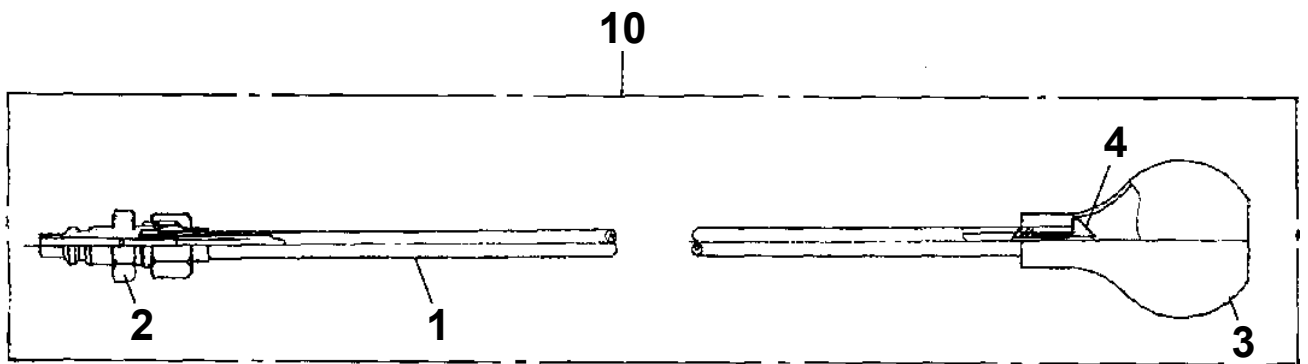
100



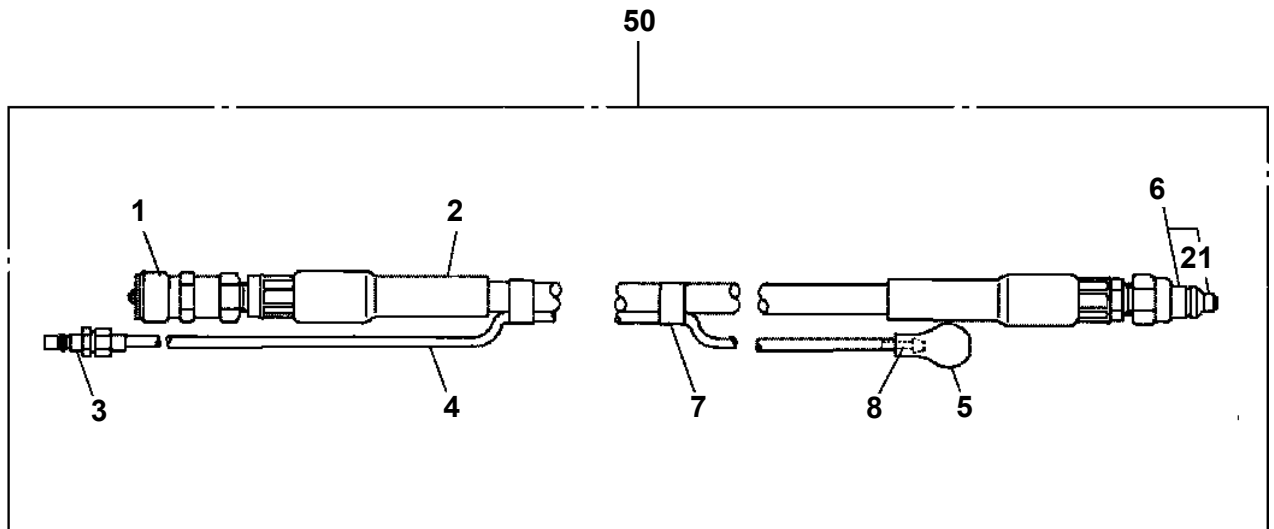
**AT-146-3 43011100027 UPPER
PY1540039-00 COVER,BUCKET (INNER CASE)**



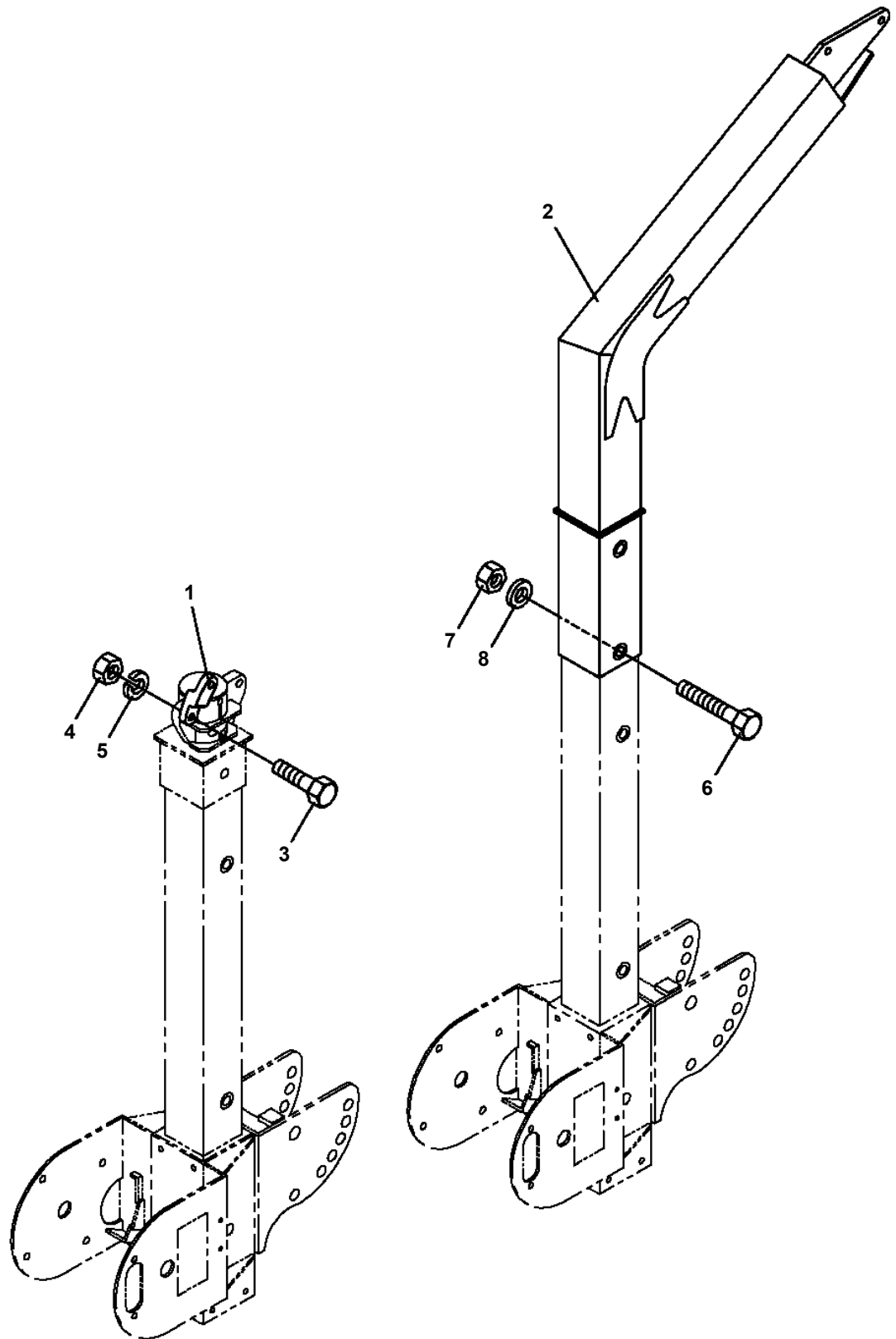
**AT-146-3 43011100027 UPPER
PY1590005-01 HOSE,BOOSTER (SMALL,WITH AIR BALLOON)**



**AT-146-3 43011100027 UPPER
PY1590012-00 HOSE,BOOSTER (WITH AIR BALLOON,5M)**



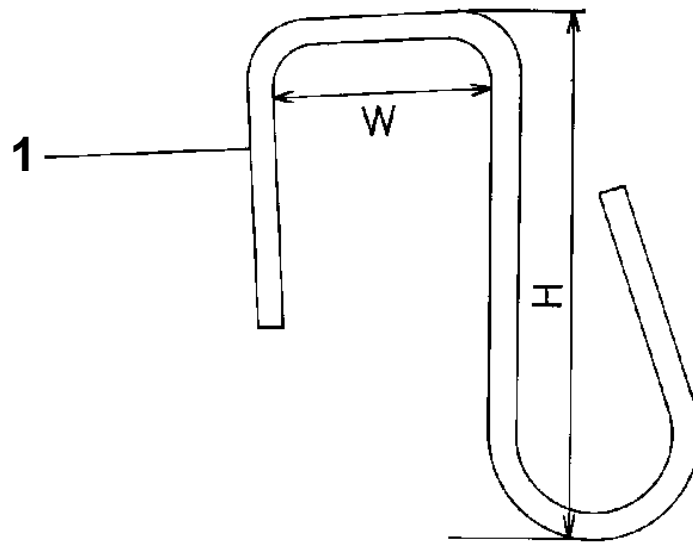
AT-146-3 43011100027 UPPER
PY1660000-00 ARM, ATTACHMENT (L-TYPE JIB)



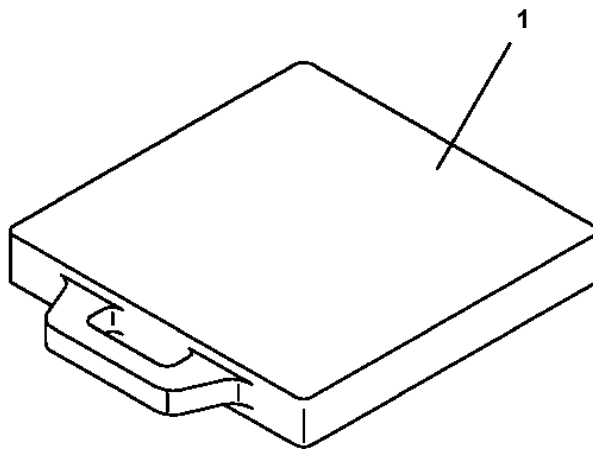
**AT-146-3 43011100027 UPPER
PY1790001-00 HANGER (FOR BUCKET)**

Assembly Name HANGER

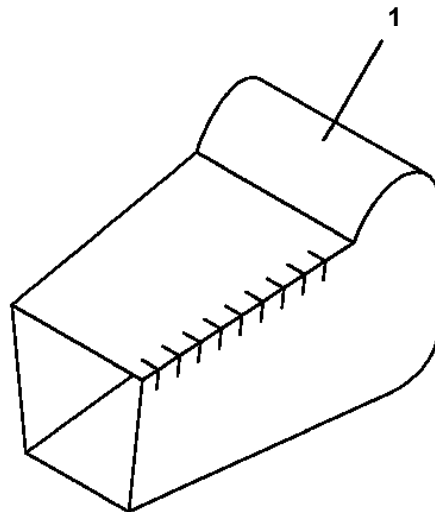
1117 0001 00



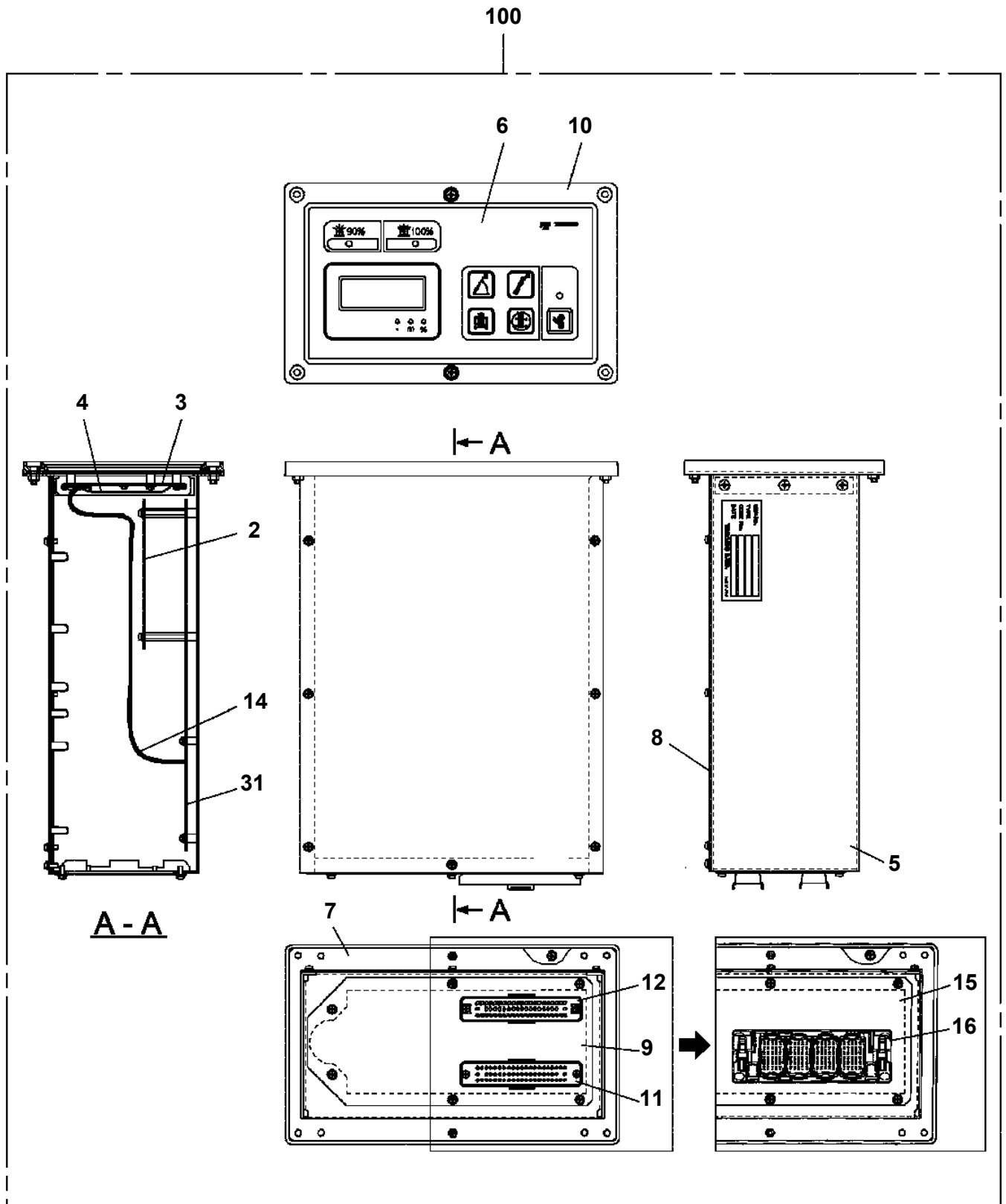
**AT-146-3 43011100027 UPPER
PY1930005-00 BLOCK,RUBBER (NAKAMURA)**



**AT-146-3 43011100027 UPPER
PY2170006-01 COVER,WINCH (GRAY,FOR KANDENKO)**



AT-146-3 43011100027 UPPER
PY5310002-01 AUTOMATIC MOTION CONTROLLER



CLICK HERE TO **DOWNLOAD** THE COMPLETE MANUAL

- Thank you very much for reading the preview of the manual.
- You can download the complete manual from: www.heydownloads.com by clicking the link below



- Please note: If there is no response to CLICKING the link, please download this PDF first and then click on it.

CLICK HERE TO **DOWNLOAD** THE COMPLETE MANUAL