

AT-146-2A 42095931100 LOWER,HINO BDG-XZU354E-TKMSD6

PO1000127-01 INDICATION PLATES

PX2000868-00 CARRIER UNIT

ASSEMBLY

CLICK HERE TO **DOWNLOAD** THE COMPLETE MANUAL

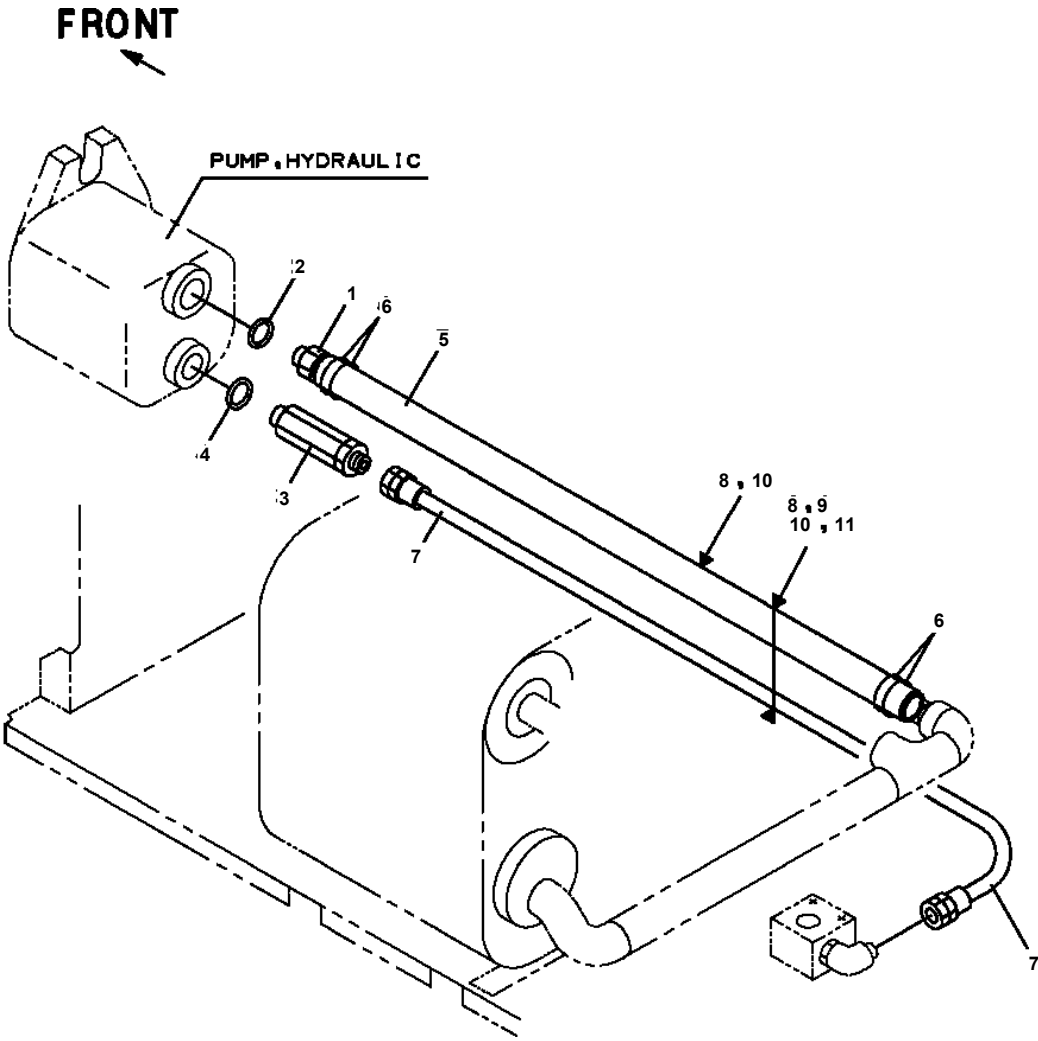
- Thank you very much for reading the preview of the manual.
- You can download the complete manual from: www.heydownloads.com by clicking the link below



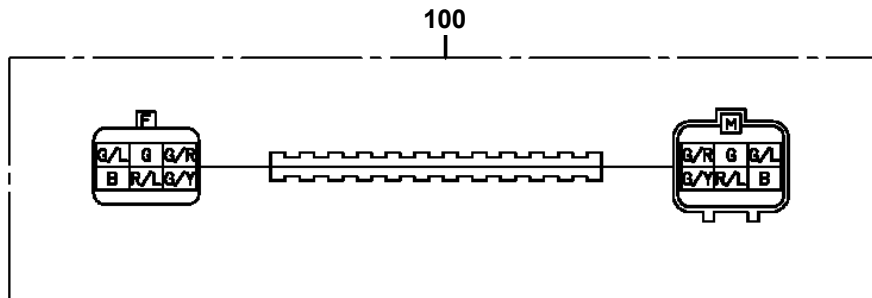
- Please note: If there is no response to CLICKING the link, please download this PDF first and then click on it.

CLICK HERE TO **DOWNLOAD** THE COMPLETE MANUAL

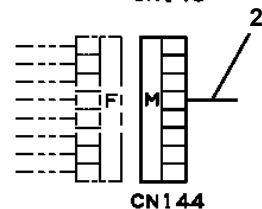
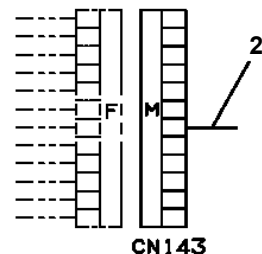
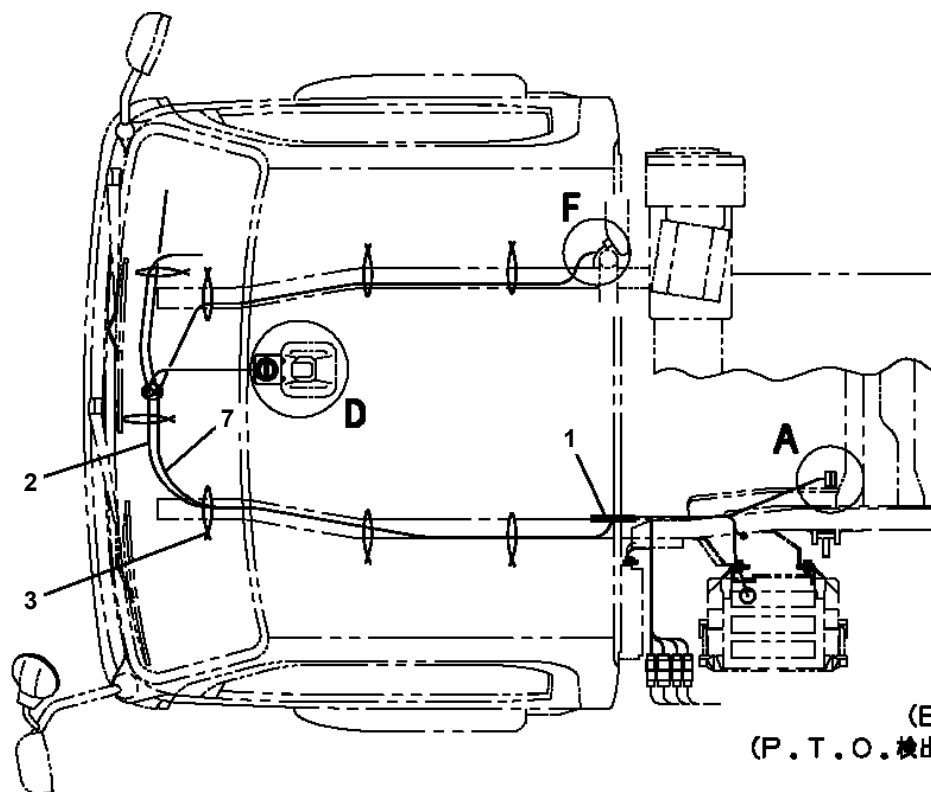
**AT-146-2A 42095931100 LOWER,HINO BDG-XZU354E-TKMSD6
PB1411675-00 PIPING,LOWER**



AT-146-2A 42095931100 LOWER,HINO BDG-XZU354E-TKMSD6
PH5034644-00 HARNESS

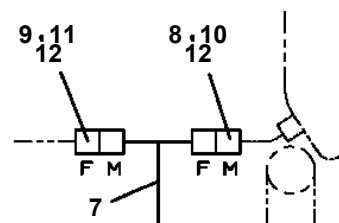
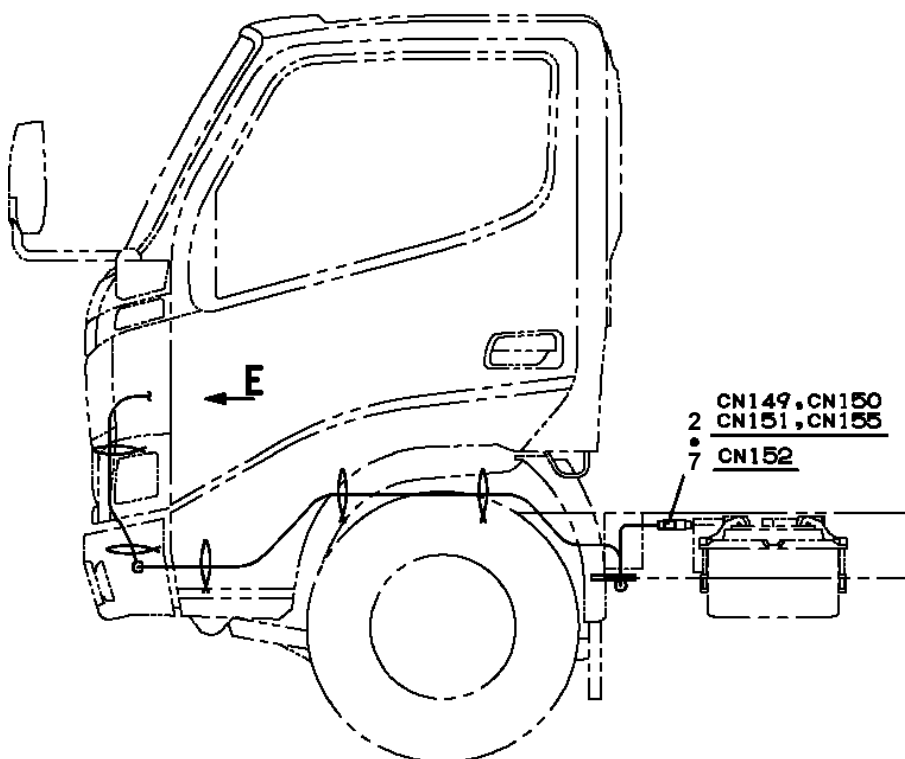


AT-146-2A 42095931100 LOWER, HINO BDG-XZU354E-TKMSD6
 PN1013735-01 ELEC. ASSY (CARRIER)



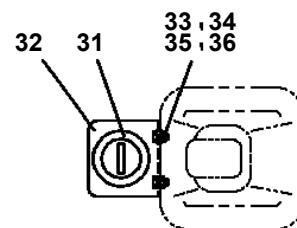
A

(E/G始動, E/Gストップ・回転検出)
 (P.T.O.検出, ニュートラル検出, Pブレーキ検出)
 (キーON電源取出, エアコン節電)



F

(バキュームスイッチ検出)



D

(アワメータ)

AT-146-2A 42095931100 LOWER,HINO BDG-XZU354E-TKMSD6

Pos No.	Parts No	Parts Name	Qty	Unit	Technical Data	Serial No (Start)	Serial No (End)	Remarks	Pa
1	82444100350	PLATE,NAME (350KG)	1						

AT-146-2A 42095931100 LOWER,HINO BDG-XZU354E-TKMSD6

Pos No.	Parts No	Parts Name	Qty	Unit	Technical Data	Serial No (Start)	Serial No (End)	Remarks	Pages
1	42811740100	SUPPORT	1						
2	90101210018	BOLT	8		M10X18				
3	90302041001	WASHER,SPRING	12		10				
4	42811740200	SUPPORT	1						
5	90101208020	BOLT	8		M8X20				
6	90302040801	WASHER,SPRING	12		8				
7	90303070801	WASHER,PLAIN	4		8				
8	42811740300	SUPPORT	1						
9	90101210025	BOLT	2		M10X25				
10	90101210016	BOLT	2		M10X16				
11	90303071001	WASHER,PLAIN	2		10				
12	42811670600	SUPPORT	1						
13	90101208025	BOLT	2		M8X25				
14	90201200800	NUT	2		M8				
15	37000547660	PLATE	2		T=2.3				
16	42811740400	COVER	1						
17	90101208016	BOLT	2		M8X16				

CLICK HERE TO **DOWNLOAD** THE COMPLETE MANUAL

- Thank you very much for reading the preview of the manual.
- You can download the complete manual from: www.heydownloads.com by clicking the link below



- Please note: If there is no response to CLICKING the link, please download this PDF first and then click on it.

CLICK HERE TO **DOWNLOAD** THE COMPLETE MANUAL