

AT-146-1 42095130400 LOWER,HINO KK-XZU350E-TKMSS6

PO1000127-01 INDICATION PLATES

PW1000109-01 ACCESSORIES & TOOLS

PX2000128-00 CARRIER UNIT

PX3000121-00 MOUNTING UNIT

PY1000680-01 OPTIONS,1

PY2000036-00 OPTIONS,2

ASSEMBLY

CLICK HERE TO **DOWNLOAD** THE COMPLETE MANUAL

- Thank you very much for reading the preview of the manual.
- You can download the complete manual from: www.heydownloads.com by clicking the link below



- Please note: If there is no response to CLICKING the link, please download this PDF first and then click on it.

CLICK HERE TO **DOWNLOAD** THE COMPLETE MANUAL

AT-146-1 42095130400 LOWER,HINO KK-XZU350E-TKMSS6

Pos No.	Parts No	Parts Name	Qty	Unit	Technical Data	Serial No (Start)	Serial No (End)
1	(*****)	LAMP (O/R CONTROL PANEL)	1				
2	(*****)	LAMP (LEVEL)	1				
3	(*****)	LAMP (WORKING:BOOM REST LEFT)	1				
4	(*****)	LAMP (BOOM,WORKING)	1				
5	(*****)	LAMP (BOOM,WORKING)	1				
6	(*****)	BOX,TOOL (MOUNT,BOOM LEFT SIDE)	1				
7	(*****)	POWER SOURCE (24V)	1				
13	(*****)	REFLECTOR	1				
14	(*****)	OUTRIGGER	1				
15	(*****)	POWER SUPPLY (HYDRAULIC OUTLET)	1				
	(*****)	POWER SUPPLY (HYDR. OUTLET/WITH BOOST)	1				
18	(*****)	BOOSTER (HYDRAURIC OUTLET:B)	1				
	(*****)	BOOSTER (HYDRAURIC OUTLET:L,STD)	1				
20	(*****)	MOUNT,SUPPORT (BOOM SIDE,JIB STOWING)	1				
21	(*****)	VIEW SYSTEM (MONITOR:CLARION/MITHUBSHI)	1				
	(*****)	VIEW SYSTEM(COLOR MONITOR:ICHIKOH/ISUZU)	1				
	(*****)	VIEW SYSTEM (MONITER,YONDEN/MITSUBISHI)	1				
	(*****)	VIEW SYSTEM (COLOR MONITOR:ICHIKOH/HINO)	1				
	(*****)	VIEW SYSTEM (MONITOR:ICHIKOH/MITSUBISHI)	1				2273
	(*****)	VIEW SYSTEM (MONITOR,YONDEN/MITHUBISHI)	1				
	(*****)	VIEW SYSTEM (MONITOR:CLARION/TOYOTA)	1				
	(*****)	VIEW SYSTEM (MONITOR:ICHIKOH/MITSUBISHI)	1				
	(*****)	VIEW SYSTEM (MONITOR:ICHIKOH/TOYOTA)	1				
	(*****)	VIEW SYSTEM (MONITOR:ICHIKOH/MITSUBISHI)	1			227342	
22	(*****)	VIEW SYSTEM (CAMERA,FOR YONDEN)	1				
	(*****)	VIEW SYSTEM (CAMERA/ICHIKOH)	1				
	(*****)	VIEW SYSTEM (CAMERA/CLARION)	1				
23	(*****)	MOUNT,SUPPORT (COLOR CONE)	1				
25	(*****)	REEL,CORD (CONNECTOR WF7330/YONDENKOU)	1				
26	(*****)	LAMP (BOX,TOOL/YONDEN)	1				

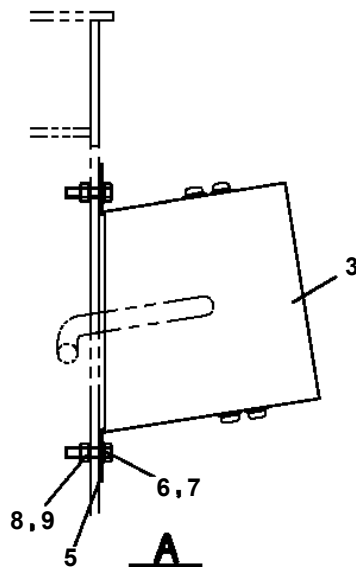
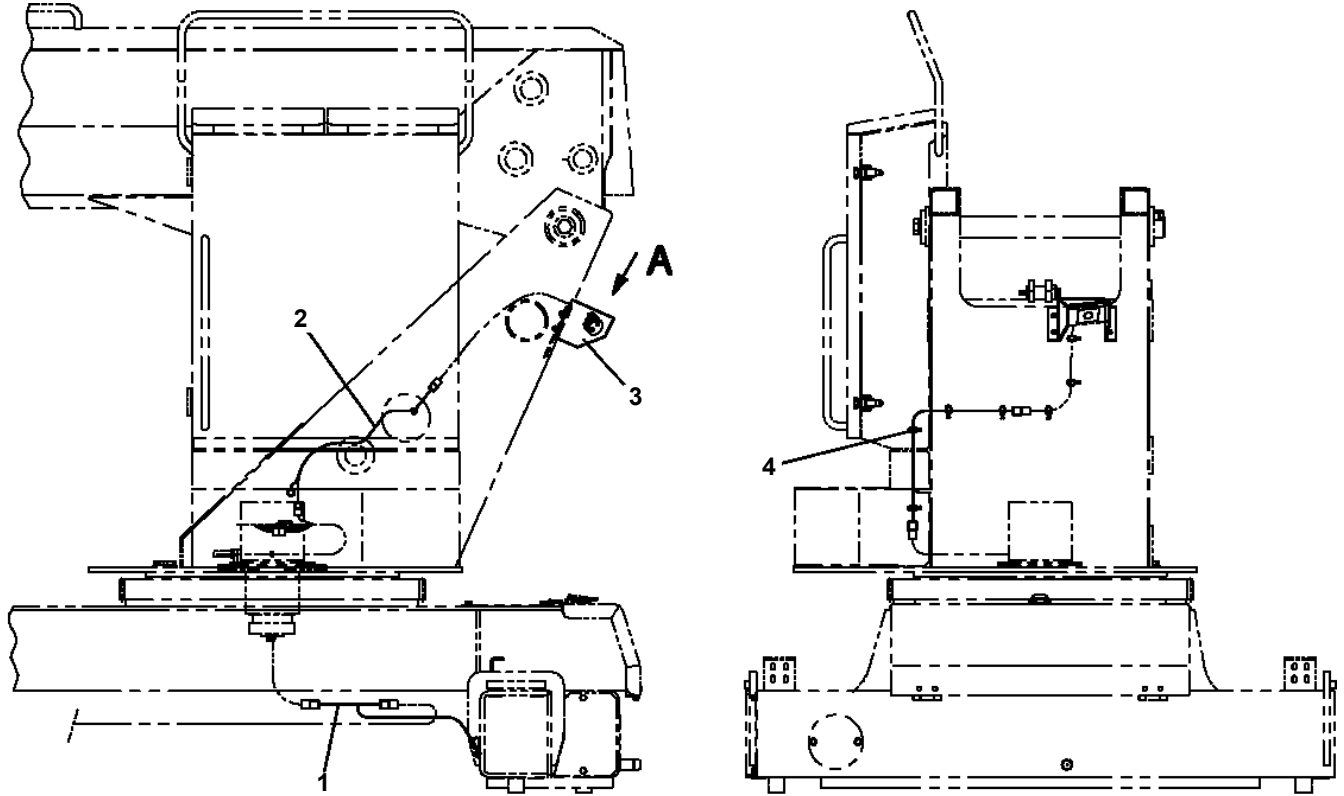
AT-146-1 42095130400 LOWER,HINO KK-XZU350E-TKMSS6

Pos No.	Parts No	Parts Name	Qty	Unit	Technical Data	Serial No (Start)	Serial No (End)	Remarks	Page
1	90303071001	WASHER,PLAIN	2		10				
2	90302041001	WASHER,SPRING	2		10				
3	90174110035	BOLT	2		M10X35				
4	36652840000	PUMP,OIL (32CC:L)	1						0000

AT-146-1 42095130400 LOWER,HINO KK-XZU350E-TKMSS6

Pos No.	Parts No	Parts Name	Qty	Unit	Technical Data	Serial No (Start)	Serial No (End)	Remarks	Pages
2	91002801800	O-RING	1		1B P18				
3	80400160131	JOINT	1						
4	44340011200	JOINT	1		PF1				
5	91002802900	O-RING	1		1B P29				
6	91803600400	CLIP	4		D=27-40				
7	37002507680	HOSE	1		L=650				
9	90186208020	BOLT,FLANGE	2		M8X20				
10	90280200800	NUT,FLANGE	2		M8				
13	37002475580	HOSE	1		L=1450				
14	82100002016	CLAMP	3		WR25				
15	90186208010	BOLT,FLANGE	1		M8X10				
16	82100002018	CLAMP	2		WR35				

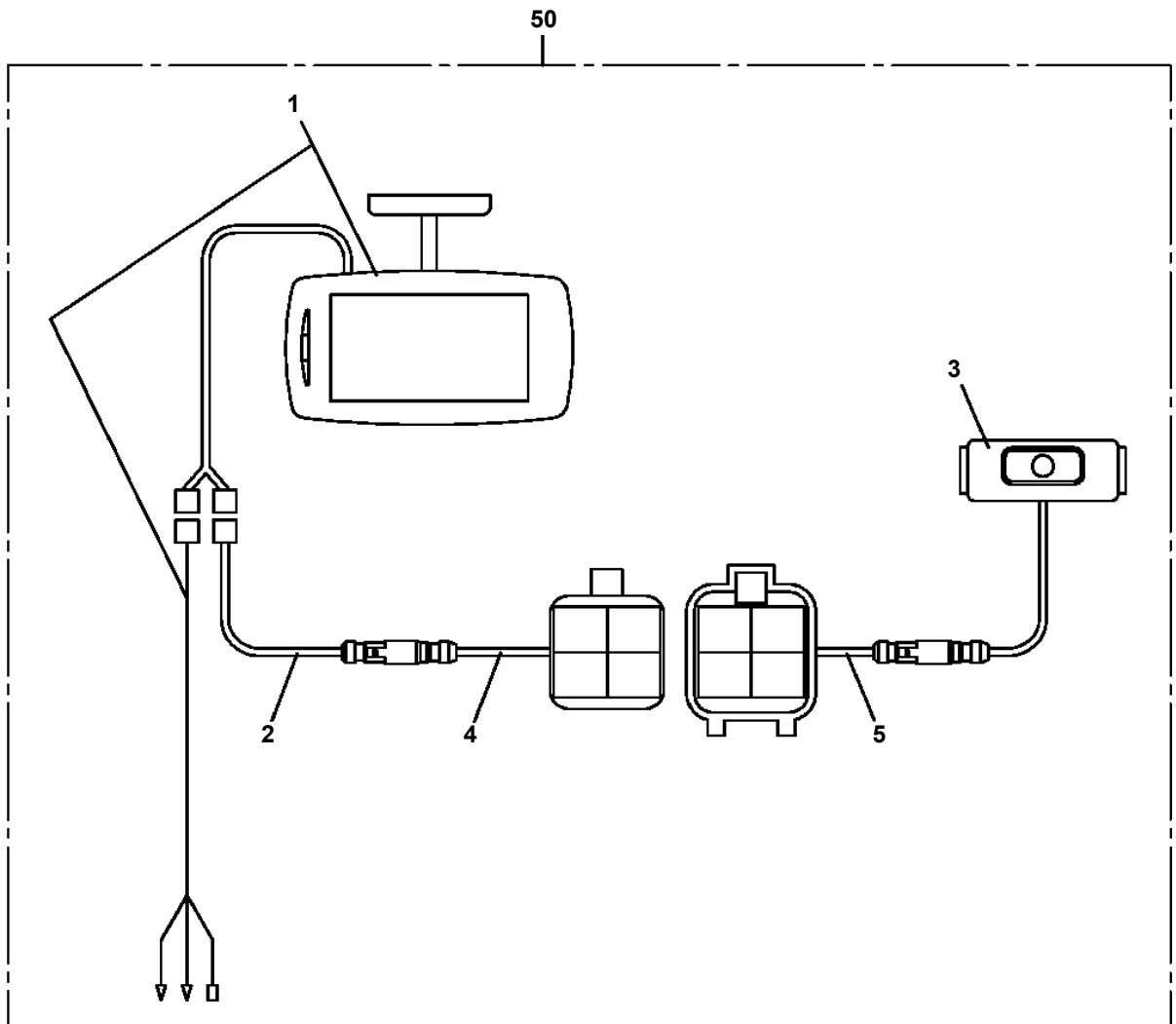
AT-146-1 42095130400 LOWER, HINO KK-XZU350E-TKMSS6
PH1700145-01 VIEW SYSTEM (CAMERA/ICHIKOH)



AT-146-1 42095130400 LOWER,HINO KK-XZU350E-TKMSS6

Pos No.	Parts No	Parts Name	Qty	Unit	Technical Data	Serial No (Start)	Serial No (End)	Remarks	Pages
1	42960061202	VIEW SYSTEM	1						
2	42738451100	SUPPORT	1						
4	37000561860	PLATE	1						
5	90101205014	BOLT	3		M5X14				
6	90303070501	WASHER,PLAIN	3		5				
7	82400000095	GROMMET	1						
9	91810130240	FASTENER	20						
10	42738451200	HARNESS	1						
11	82401601002	CLAMP	5						
12	82100000191	TERMINAL	3						
13	82100000183	INSULATOR	3						
14	90201200500	NUT	3		M5				
15	90302040501	WASHER,SPRING	3		5				

**AT-146-1 42095130400 LOWER,HINO KK-XZU350E-TKMSS6
PH1700167-00 VIEW SYSTEM**



AT-146-1 42095130400 LOWER,HINO KK-XZU350E-TKMSS6

Pos No.	Parts No	Parts Name	Qty	Unit	Technical Data	Serial No (Start)	Serial No (End)	Remark
1	34381402200	SWITCH,REMOTECONTROL	1					
2	34381402300	CABLE	1					
3	34381402400	DISPLAY	1					
50	34381402000	DISPLAY	1					

AT-146-1 42095130400 LOWER,HINO KK-XZU350E-TKMSS6

Pos No.	Parts No	Parts Name	Qty	Unit	Technical Data	Serial No (Start)	Serial No (End)	Remarks	Pages
100	42738385400	HARNESS	1						

AT-146-1 42095130400 LOWER,HINO KK-XZU350E-TKMSS6

Pos No.	Parts No	Parts Name	Qty	Unit	Technical Data	Serial No (Start)	Serial No (End)	Remarks	Pages
100	42714372000	HARNESS	1						

AT-146-1 42095130400 LOWER,HINO KK-XZU350E-TKMSS6

Pos No.	Parts No	Parts Name	Qty	Unit	Technical Data	Serial No (Start)	Serial No (End)	Remarks
5	36642765080	SPRING	2					
7	36642765050	O-RING	2					
8	36642765060	WASHER (CENTER)	2					
10	91000501200	O-RING	4					
21	36643435030	NUT	2				227728	
22	91000501900	O-RING	2				227728	
23	36642765090	CORE ASSY (SOLENOID)	2				227728	
24	36645925020	COIL,SOLENOID	2				227728	
25	36643435070	PACKING	2				227728	
32	36643435040	PIN,SPRING	4					
41	36741765010	NUT	2			227729		
42	36741765020	O-RING	2			227729		
43	36741765030	CORE ASSY (SOLENOID)	2			227729		
44	36741765040	COIL,SOLENOID	2			227729		
45	36648475110	O-RING	2			227729		
100	36645930000	VALVE,SOLENOID	1					

CLICK HERE TO **DOWNLOAD** THE COMPLETE MANUAL

- Thank you very much for reading the preview of the manual.
- You can download the complete manual from: www.heydownloads.com by clicking the link below



- Please note: If there is no response to CLICKING the link, please download this PDF first and then click on it.

CLICK HERE TO **DOWNLOAD** THE COMPLETE MANUAL

AT-146-1 42095130400 LOWER,HINO KK-XZU350E-TKMSS6

Pos No.	Parts No	Parts Name	Qty	Unit	Technical Data	Serial No (Start)	Serial No (End)	Re
1	82199444326	LAMP (YELLOW) <24V 12W)	4					
2	42737850100	GUARD	4				227459	
	42738090100	GUARD	4			227460		
3	42736070100	SWITCH ASSY (WITH HARNESS)	1					
4	42737850010	PLATE,NAME	1					
5	82197518114	CAP (MATSUSHITA/BLACK)	1					
	82197518119	CAP (PLUS ONE MFG./BLACK)	1					
6	90186206016	BOLT,FLANGE	16		M6X16			
7	90280200600	NUT,FLANGE	16		M6			
21	82105220112	SWITCH,TOGGLE	1					
26	82166136411	BULB,LAMP	4		24V/12W			

AT-146-1 42095130400 LOWER,HINO KK-XZU350E-TKMSS6

Pos No.	Parts No	Parts Name	Qty	Unit	Technical Data	Serial No (Start)	Serial No (End)	Remarks	Pages
1	82119417330	CONNECTOR	1						
2	82100001221	INSULATOR	3						

AT-146-1 42095130400 LOWER,HINO KK-XZU350E-TKMSS6

Pos No.	Parts No	Parts Name	Qty	Unit	Technical Data	Serial No (Start)	Serial No (End)	Remarks	Page
50	36652335010	GASKET	2						
51	36652335020	GASKET	2						
54	53063551010	SEAL,OIL	1						
55	80602110360	RING,RITAINING	1		R36				
100	36652840000	PUMP,OIL (32CC:L)	1						

AT-146-1 42095130400 LOWER,HINO KK-XZU350E-TKMSS6

Pos No.	Parts No	Parts Name	Qty	Unit	Technical Data	Serial No (Start)	Serial No (End)
1	42460012530	WEDGE (STOPPER FOR TIRE/WAZUMI)	1				

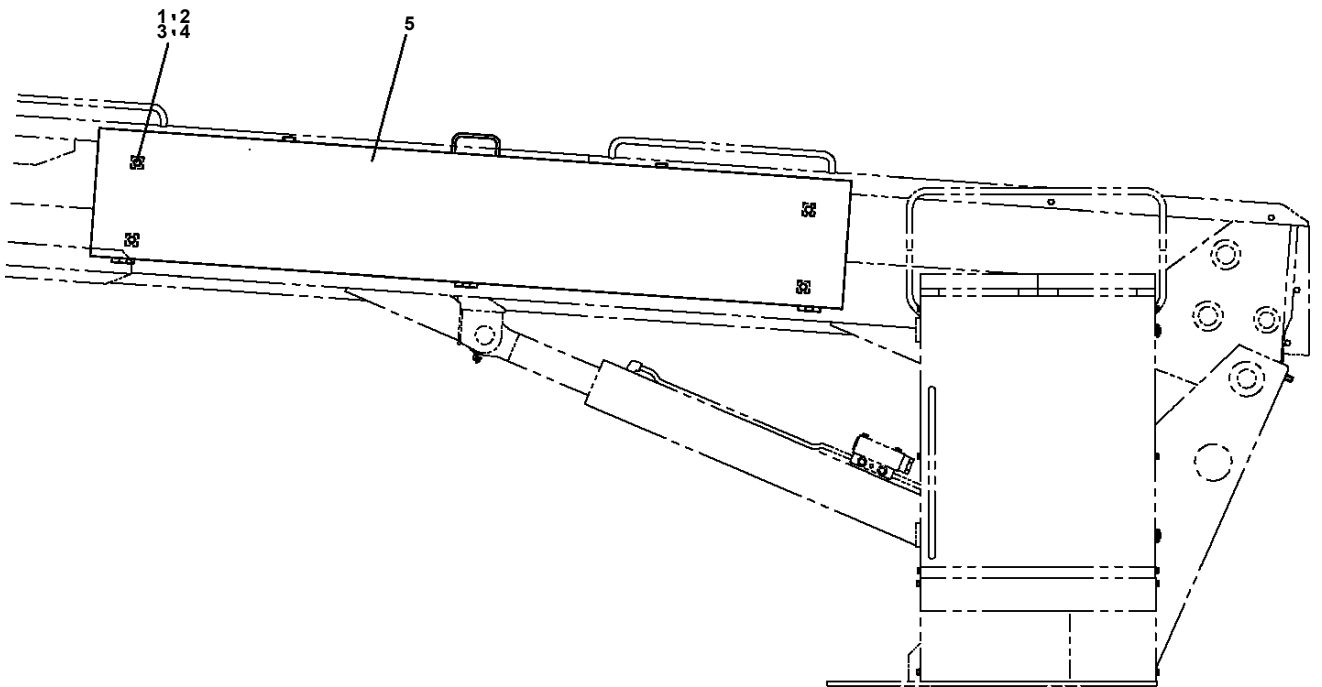
AT-146-1 42095130400 LOWER,HINO KK-XZU350E-TKMSS6

Pos No.	Parts No	Parts Name	Qty	Unit	Technical Data	Serial No (Start)	Serial No (End)	Remarks	Pages
1	42774171000	GUARD,SIDE	1						
2	42774261000	GUARD,SIDE	1						
3	42774202000	GUARD,SIDE	1						
4	42774174000	SUPPORT	1						
5	42774175000	BOX,TOOL	1						
6	90186210025	BOLT,FLANGE	3		M10X25				
7	90303071001	WASHER,PLAIN	6		10				
8	90280201000	NUT,FLANGE	2		M10				
10	37000547660	PLATE	2		T=2.3				
11	90280200800	NUT,FLANGE	6		M8				
12	90186208014	BOLT,FLANGE	4		M8X14				
13	42771180100	SUPPORT	1						
14	82400000345	CHAIN (QTY=L)	1	M					
15	90280200600	NUT,FLANGE	1		M6				
16	90186206016	BOLT,FLANGE	1		M6X16				
17	90303070801	WASHER,PLAIN	4		8				
18	90171110025	BOLT	6		M10X25				
19	90201781000	NUT	6		M10				
20	90302041001	WASHER,SPRING	6		10				
21	90171112040	BOLT	4		M12X40				
22	90302041201	WASHER,SPRING	4		12				
23	37000579050	PLATE	4						

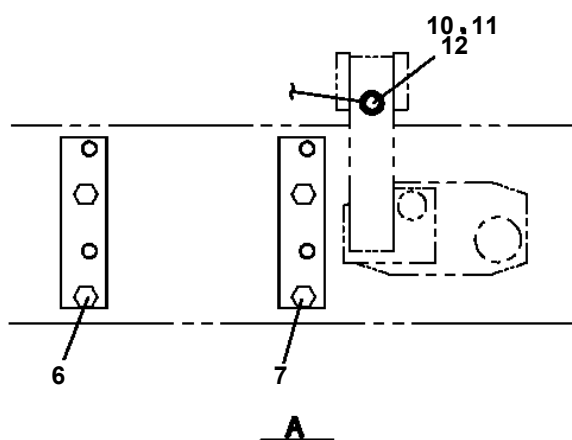
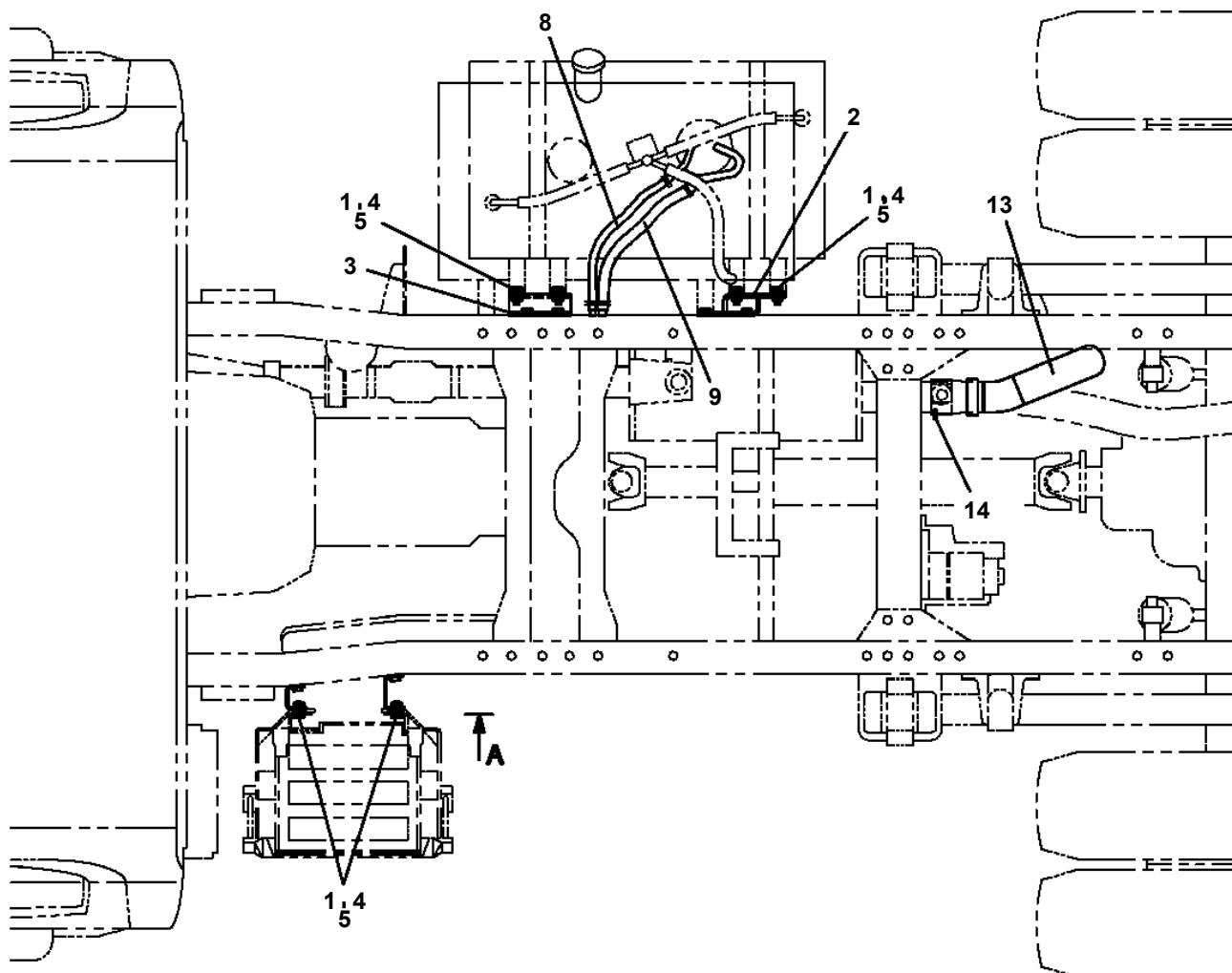
AT-146-1 42095130400 LOWER,HINO KK-XZU350E-TKMSS6

Pos No.	Parts No	Parts Name	Qty	Unit	Technical Data	Serial No (Start)	S
1	42738221000	WOOD BLOCK (KANSAI DENRYOKU/DETACHABLE)	1				

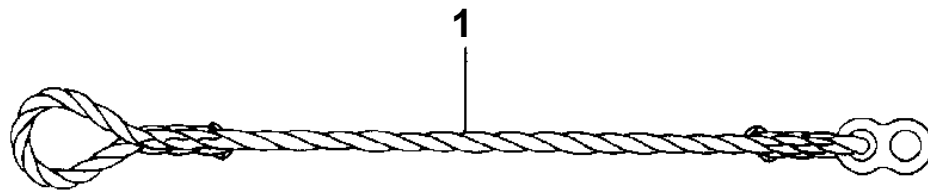
AT-146-1 42095130400 LOWER,HINO KK-XZU350E-TKMSS6
PX1350476-00 BOX,TOOL (MOUNT,BOOM LEFT SIDE)



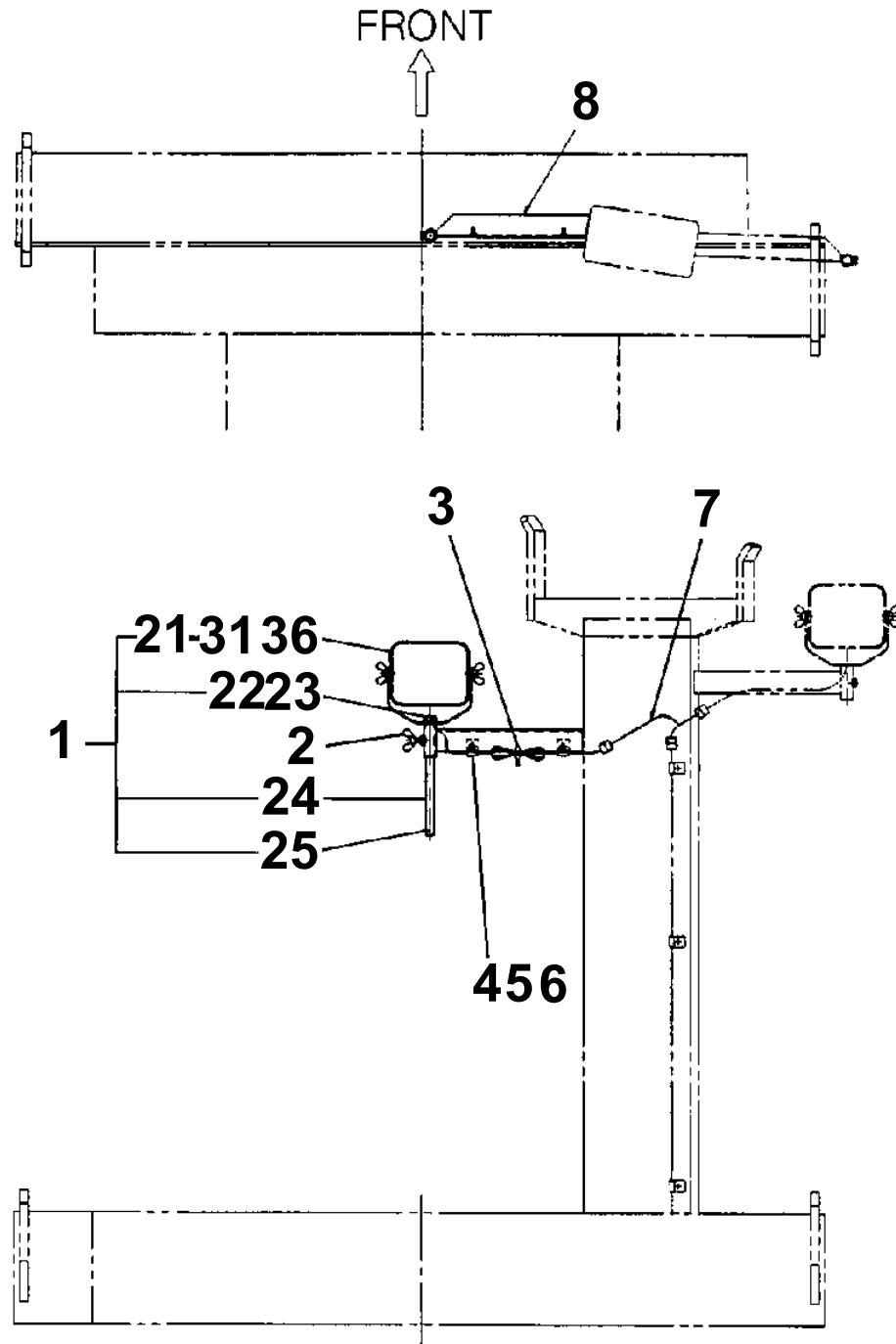
AT-146-1 42095130400 LOWER, HINO KK-XZU350E-TKMSS6
PX1390597-00 MODIFICATION PARTS



AT-146-1 42095130400 LOWER,HINO KK-XZU350E-TKMSS6
PY1070000-00 ROPE (SAFETY,YELLOW:TD-TYPE)

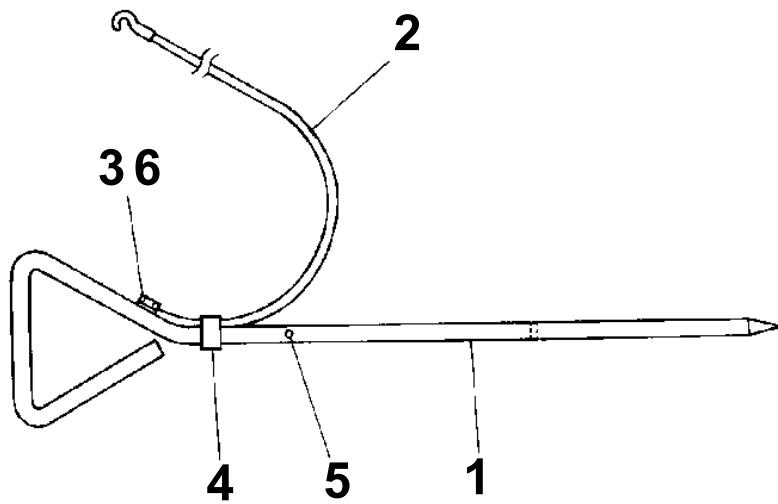


AT-146-1 42095130400 LOWER,HINO KK-XZU350E-TKMSS6
PY1180240-01 LAMP (WORKING:BOOM REST LEFT)



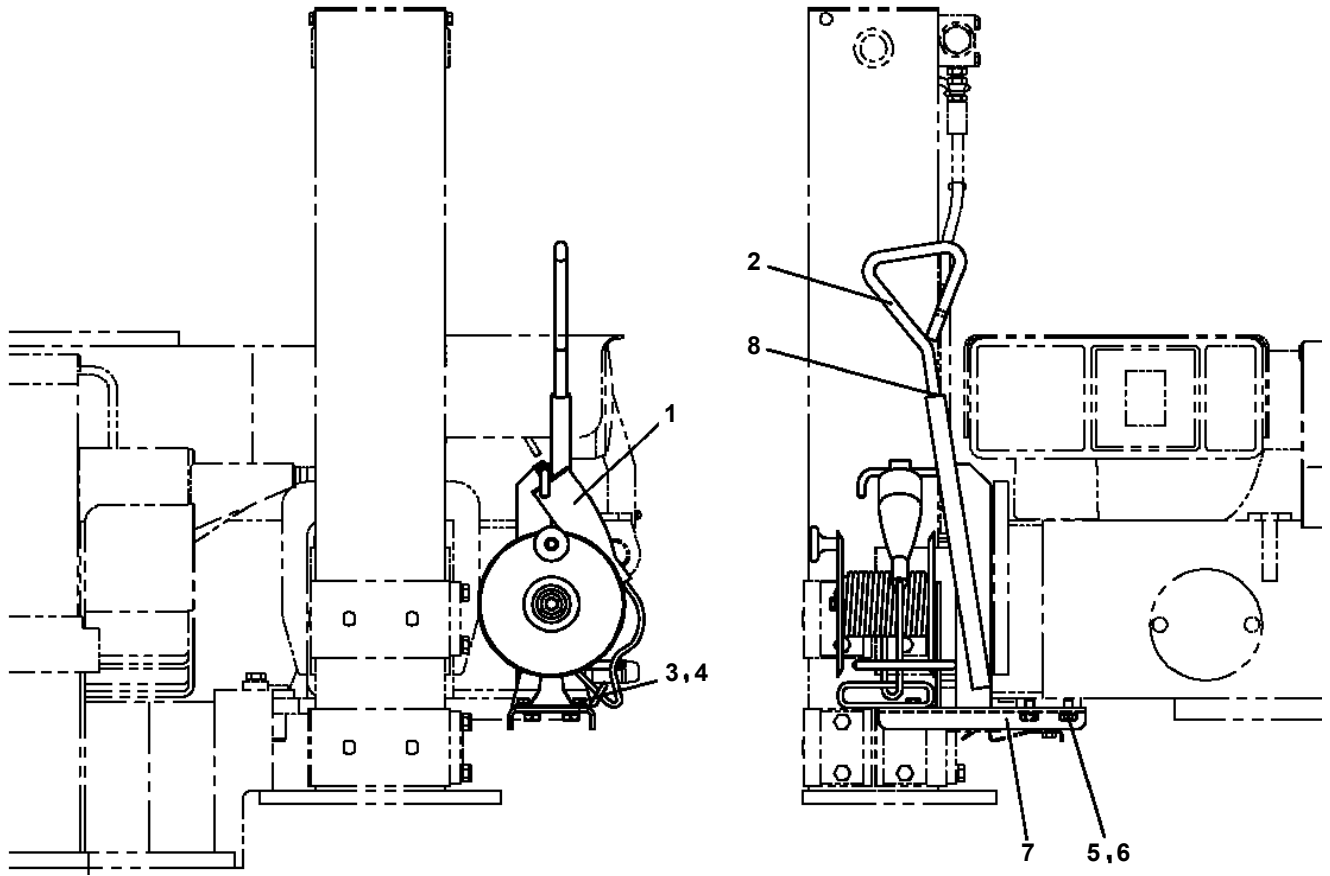
AT-146-1 42095130400 LOWER,HINO KK-XZU350E-TKMSS6
PY1650030-00 EARTHING DEVICE

ASSEMBLY NAME EARTHING DEVICE



**AT-146-1 42095130400 LOWER, HINO KK-XZU350E-TKMSS6
PY1650111-00 EARTHING DEVICE**

FRONT ←



CLICK HERE TO **DOWNLOAD** THE COMPLETE MANUAL

- Thank you very much for reading the preview of the manual.
- You can download the complete manual from: www.heydownloads.com by clicking the link below



- Please note: If there is no response to CLICKING the link, please download this PDF first and then click on it.

CLICK HERE TO **DOWNLOAD** THE COMPLETE MANUAL