

AT-146-1 42095140300 LOWER,ISUZU KK-NKR71E3N 5JXHY

PO1000127-01 INDICATION PLATES

PW1000109-01 ACCESSORIES & TOOLS

PX2000134-00 CARRIER UNIT

PX3000127-00 MOUNTING UNIT

PY1000676-01 OPTIONS,1

PY2000036-00 OPTIONS,2

ASSEMBLY

CLICK HERE TO **DOWNLOAD** THE COMPLETE MANUAL

- Thank you very much for reading the preview of the manual.
- You can download the complete manual from: www.heydownloads.com by clicking the link below



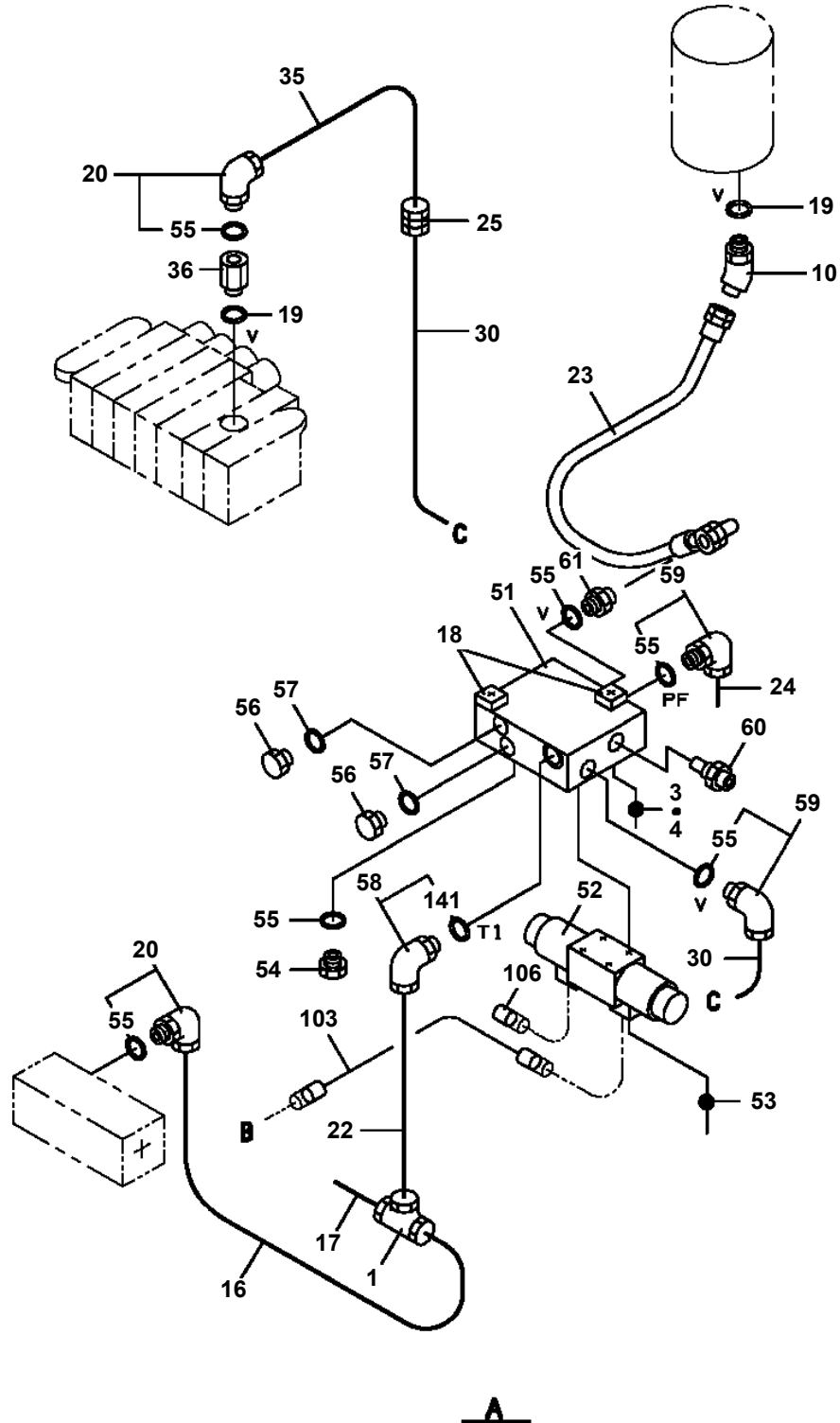
- Please note: If there is no response to CLICKING the link, please download this PDF first and then click on it.

CLICK HERE TO **DOWNLOAD** THE COMPLETE MANUAL

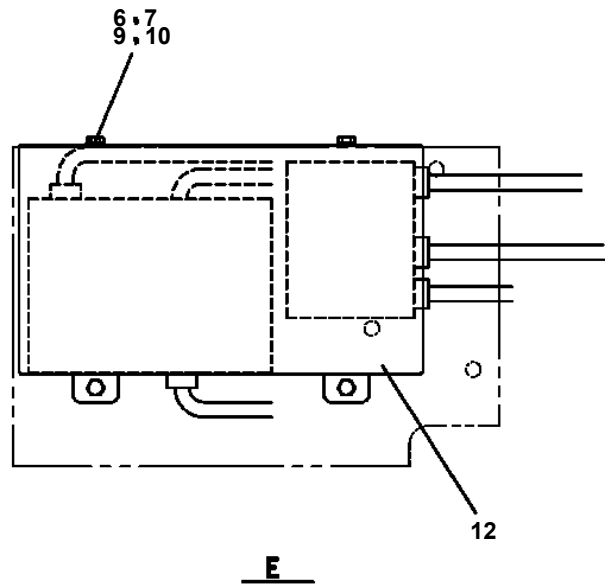
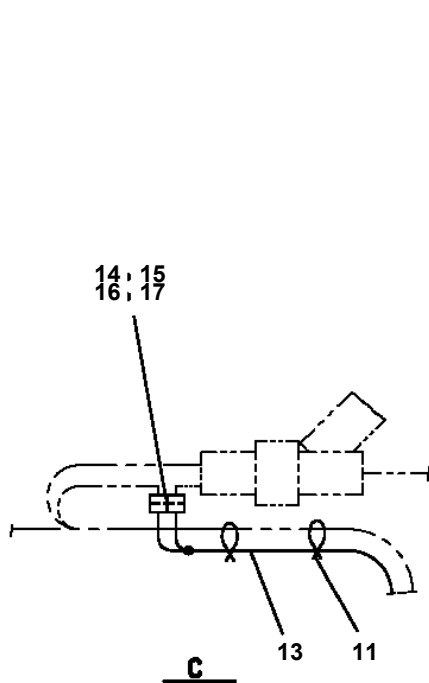
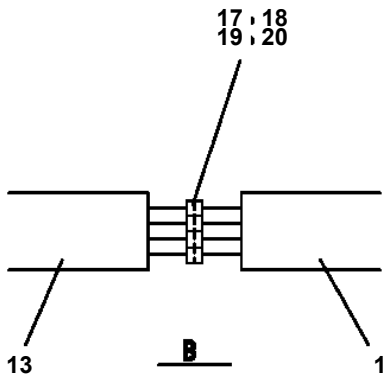
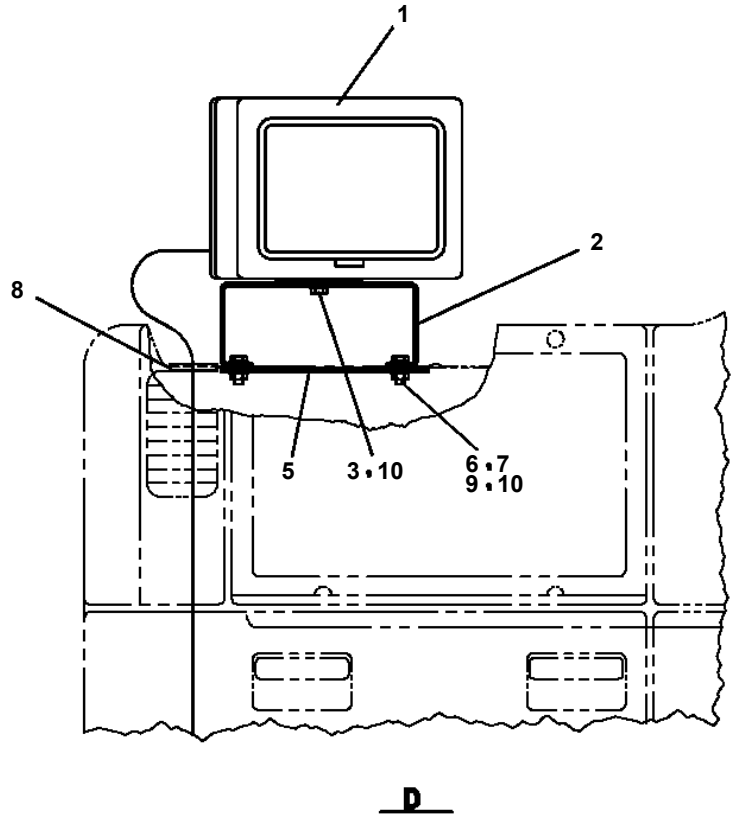
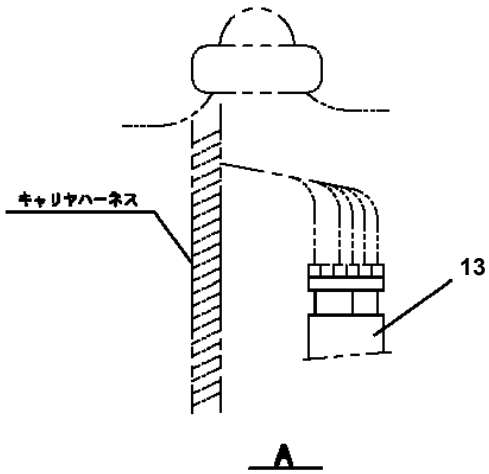
AT-146-1 42095140300 LOWER,ISUZU KK-NKR71E3N 5JXHY

Pos No.	Parts No	Parts Name	Qty	Unit	Technical Data	Serial No (Start)	Ser
1	(*****)	LAMP (O/R CONTROL PANEL)	1				
2	(*****)	LAMP (LEVEL)	1				
3	(*****)	LAMP	1				
4	(*****)	BOX,TOOL (MOUNT,BOOM LEFT SIDE)	1				
5	(*****)	BOOSTER (B:LOWER HYDRAULIC OUTLET)	1				
	(*****)	BOOSTER (LOWER,HYDRAULIC OUTLET)	1				
6	(*****)	BOOSTER (LOWER HYDRAULIC OUTLET)	1				
	(*****)	BOOSTER (B:LOWER,HYDRAULIC OUTLET)	1				
13	(*****)	POWER SUPPLY (LOWER HYDRAULIC OUTLET)	1				
14	(*****)	LAMP (WORKING:BOOM REST LEFT)	1				
15	(*****)	OUTRIGGER	1				
16	(*****)	POWER SOURCE	1				
17	(*****)	LAMP (BOOM,WORKING)	1				
18	(*****)	LAMP (BOOM,WORKING)	1				
19	(*****)	REFLECTOR	1				
21	(*****)	VIEW SYSTEM (COLOR MONITOR,ICHIKOH)	1				
	(*****)	VIEW SYSTEM (COLOR MONITOR, CLARION/ISUZU)	1				
	(*****)	VIEW SYSTEM (MONITOR/CLARION,MITSUBISHI)	1				
	(*****)	VIEW SYSTEM (COLOR MONITOR,ICHIKOH)	1				
	(*****)	VIEW SYSTEM (COLOR MONITOR,ICHIKOH)	1				
	(*****)	VIEW SYSTEM (B&W/MONITOR,ICHIKOH)	1				
	(*****)	VIEW SYSTEM (YONDEN/COLOR MONITOR)	1				
	(*****)	VIEW SYSTEM (B & W MONITOR/ICHIKOH,MITSU)	1				
	(*****)	VIEW SYSTEM (COLOR MONITOR,CLARION)	1				

**AT-146-1 42095140300 LOWER,ISUZU KK-NKR71E3N 5JXHY
PB1380159-02 POWER SUPPLY (LOWER HYDRAULIC OUTLET)**



AT-146-1 42095140300 LOWER,ISUZU KK-NKR71E3N 5JXHY
PH1700130-00 VIEW SYSTEM (MONITOR,YONDEN/MITHUBISHI)



AT-146-1 42095140300 LOWER,ISUZU KK-NKR71E3N 5JXHY

Pos No.	Parts No	Parts Name	Qty	Unit	Technical Data	Serial No (Start)	Serial No (End)	Rem
2	42737321100	SUPPORT	1					
3	90105225012	BOLT	1		1/4-20UNC L=12			
4	90101206010	BOLT	4		M6X1.0			
5	42960121200	PLATE	1					
6	90101206018	BOLT	6		M6X18			
7	90302040601	WASHER,SPRING	10		6			
8	82400000219	GROMMET	1					
9	90201200600	NUT	6		M6			
10	90303070601	WASHER,PLAIN	11		6			
11	91810130240	FASTENER	20					
12	42738381100	SUPPORT	2					
13	42738381200	HARNESS	1					
14	82100000192	TERMINAL	1					
15	82100000182	INSULATOR	1					
16	82100000191	TERMINAL	1					
17	82100000183	INSULATOR	1					
18	90101204012	BOLT	4		M4X12			
19	90302040401	WASHER,SPRING	4		4			
20	42738381300	SUPPORT	1					
21	42476331200	SWITCH ASSY	1					
22	42738381010	PLATE,NAME	1					
41	42738385000	VIEW SYSTEM	1					
42	42737324800	PLATE,NAME	1					
43	42738385300	HARNESS	1					
44	42738385400	HARNESS	1					
55	82105220133	SWITCH,TOGGLE	1					
56	82197518114	CAP (MATSUSHITA/BLACK)	1					
	82197518119	CAP (PLUS ONE MFG./BLACK)	1					
61	34381402000	DISPLAY	1					
62	34381401200	CONTROLLER (POWER BOX)	1					
63	34381401600	HARNESS (ASSY ONLY)	1					
64	42737324300	CABLE	1		L=15000			
65	42737324400	CABLE	1		L=200			
66	42737324500	CABLE	1		L=2100			
67	34490060100	CAMERA (ASSY ONLY)	1					

AT-146-1 42095140300 LOWER,ISUZU KK-NKR71E3N 5JXHY

Pos No.	Parts No	Parts Name	Qty	Unit	Technical Data	Serial No (Start)	Serial No (End)	Rem
2	42737471100	SUPPORT	1					
3	90105225012	BOLT	1		1/4-20UNC L=12			
5	37000561860	PLATE	1					
6	90101205012	BOLT	3		M5X12			
7	90303070501	WASHER,PLAIN	3		5			
8	82400000078	GROMMET	1					
9	42738891100	SUPPORT	1					
10	90303070601	WASHER,PLAIN	5		6			
11	91810130240	FASTENER	20					
12	42737471500	SUPPORT	2					
13	42738891200	HARNESS	1					
14	90101206016	BOLT	4		M6X16			
15	90302040601	WASHER,SPRING	4		6			
17	90101204010	BOLT	8		M4X10			
18	90302040401	WASHER,SPRING	8		4			
19	90303070401	WASHER,PLAIN	8		4			
20	42738891300	SUPPORT	1					
21	42738891400	SUPPORT	1					
22	42738381300	SUPPORT	1					
23	42476331200	SWITCH ASSY	1					
24	90201200600	NUT	2		M6			
25	42738381010	PLATE,NAME	1					
41	42738385000	VIEW SYSTEM	1					
42	42737324800	PLATE,NAME	1					
43	42738385300	HARNESS	1					
44	42738385400	HARNESS	1					
55	82105220133	SWITCH,TOGGLE	1					
56	82197518119	CAP (PLUS ONE MFG./BLACK)	1					
	82197518114	CAP (MATSUSHITA/BLACK)	1					
61	34381402000	DISPLAY	1					
62	34381401200	CONTROLLER (POWER BOX)	1					
63	34381401600	HARNESS (ASSY ONLY)	1					
64	42737324300	CABLE	1		L=15000			
65	42737324400	CABLE	1		L=200			
66	42737324500	CABLE	1		L=2100			
67	34490060100	CAMERA (ASSY ONLY)	1					
83	82400000203	GROMMET	N		L=250			

AT-146-1 42095140300 LOWER,ISUZU KK-NKR71E3N 5JXHY

Pos No.	Parts No	Parts Name	Qty	Unit	Technical Data	Serial No (Start)	Serial No (End)	Remarks	P
1	42739081110	DISPLAY (ASSY ONLY)	1						
2	42807401130	CABLE	1						
3	42807401140	CAMERA	1						
50	42739081100	VIEW SYSTEM	1						

AT-146-1 42095140300 LOWER,ISUZU KK-NKR71E3N 5JXHY

Pos No.	Parts No	Parts Name	Qty	Unit	Technical Data	Serial No (Start)	Serial
1	(*****)	VIEW SYSTEM (COLOR MONITOR:ICHIKOH/HINO)	1				
2	(*****)	VIEW SYSTEM (CAMERA/ICHIKOH)	1				

AT-146-1 42095140300 LOWER,ISUZU KK-NKR71E3N 5JXHY

Pos No.	Parts No	Parts Name	Qty	Unit	Technical Data	Serial No (Start)	Serial No (End)
1	(*****)	VIEW SYSTEM(COLOR MONITOR:CLARION/ISUZU)	1				
2	(*****)	VIEW SYSTEM (CAMERA/CLARION)	1				

AT-146-1 42095140300 LOWER,ISUZU KK-NKR71E3N 5JXHY

Pos No.	Parts No	Parts Name	Qty	Unit	Technical Data	Serial No (Start)	Serial No (End)	Remarks	Pages
100	42475540010	HARNESS	1						

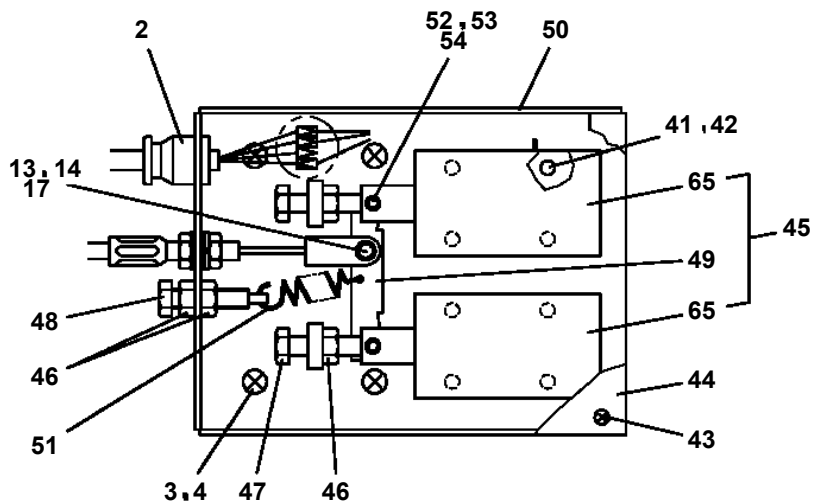
AT-146-1 42095140300 LOWER,ISUZU KK-NKR71E3N 5JXHY

Pos No.	Parts No	Parts Name	Qty	Unit	Technical Data	Serial No (Start)	Serial No (End)	Remarks	Pages
100	42738385300	HARNESS	1						

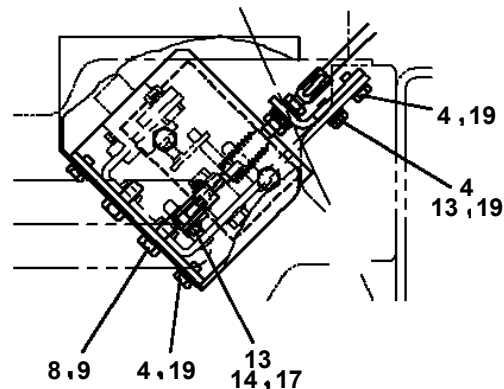
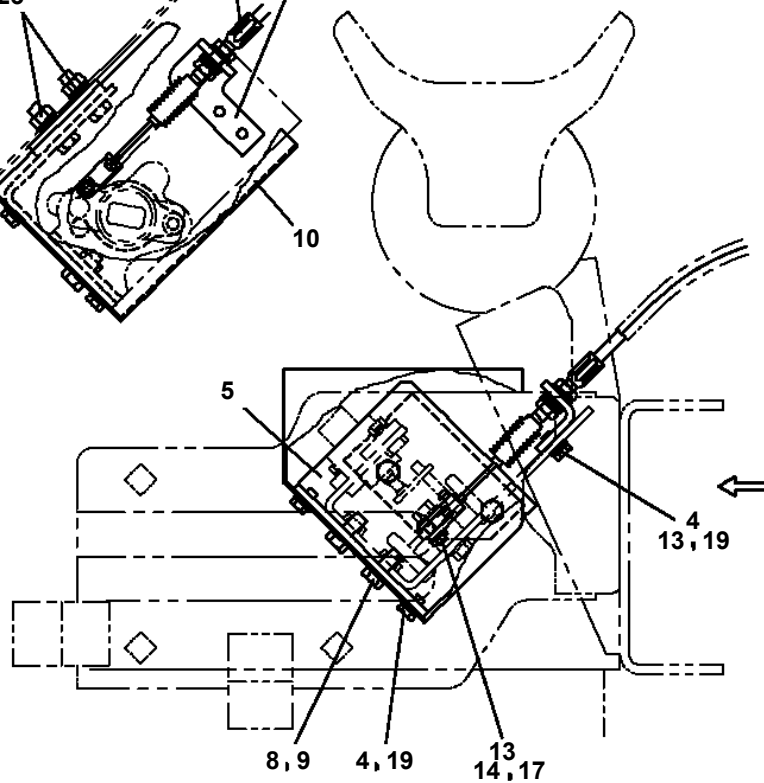
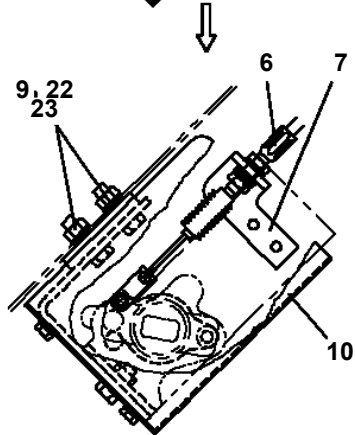
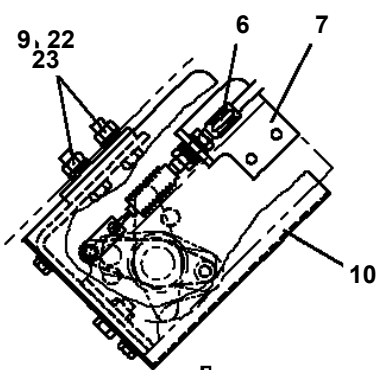
AT-146-1 42095140300 LOWER,ISUZU KK-NKR71E3N 5JXHY

Pos No.	Parts No	Parts Name	Qty	Unit	Technical Data	Serial No (Start)	Serial No (End)	Remarks	Pages
100	42808201100	HARNESS	1						

**AT-146-1 42095140300 LOWER,ISUZU KK-NKR71E3N 5JXHY
 PL1030748-02 OPE.ASSY,ACCELERATOR**



A



B

AT-146-1 42095140300 LOWER,ISUZU KK-NKR71E3N 5JXHY

Pos No.	Parts No	Parts Name	Qty	Unit	Technical Data	Serial No (Start)	Serial No (End)	Rem
1	42738200100	SWITCH ASSY	1					
2	82100002563	LAMP,LICENSE	1					
3	90101208016	BOLT	2		M8X16			
4	90302040801	WASHER,SPRING	2		8			
5	91810130230	FASTENER	5					
6	42738200200	SUPPORT	1					
7	90201200500	NUT	1		M5			
8	42738200010	PLATE,NAME	1					
9	90303070501	WASHER,PLAIN	1		5			
10	90303070801	WASHER,PLAIN	2		8			
11	90201200800	NUT	2		M8			
12	82197518114	CAP (MATSUSHITA/BLACK)	1					
	82197518119	CAP (PLUS ONE MFG./BLACK)	1					
37	82105220112	SWITCH,TOGGLE	1					
51	82100000783	BULB,LAMP	1		24V 12W			

CLICK HERE TO **DOWNLOAD** THE COMPLETE MANUAL

- Thank you very much for reading the preview of the manual.
- You can download the complete manual from: www.heydownloads.com by clicking the link below



- Please note: If there is no response to CLICKING the link, please download this PDF first and then click on it.

CLICK HERE TO **DOWNLOAD** THE COMPLETE MANUAL

AT-146-1 42095140300 LOWER,ISUZU KK-NKR71E3N 5JXHY

Pos No.	Parts No	Parts Name	Qty	Unit	Technical Data	Serial No (Start)	Serial No (End)	Remarks
1	36160650000	REEL,CORD	1					
2	42733030100	CABLE ASSY	1		L=20100			
3	82124331000	CLIP (WITH CAP/BLACK)	1					
4	90201200500	NUT	1		M5			
5	90302040501	WASHER,SPRING	1		5			
6	90303070501	WASHER,PLAIN	1		5			
21	42733317510	CAP	1					

AT-146-1 42095140300 LOWER,ISUZU KK-NKR71E3N 5JXHY

Pos No.	Parts No	Parts Name	Qty	Unit	Technical Data	Serial No (Start)	Serial No (End)	Remarks
1	91991601013	ACCESSORIES (WRENCH)	1					

AT-146-1 42095140300 LOWER,ISUZU KK-NKR71E3N 5JXHY

Pos No.	Parts No	Parts Name	Qty	Unit	Technical Data	Serial No (Start)	Serial No (End)	Remarks	Pages
1	42695993000	FENDER	1						
2	42695652000	FENDER	1						
3	42695653000	FENDER	1				227215		
	42696093000	FENDER	1			227216			
4	42695654000	FENDER	1						
5	42695750100	FENDER	1						
6	42695750200	FENDER	1						
7	90280200800	NUT,FLANGE	25		M8				
8	37000547660	PLATE	50		T=2.3				
9	90186208020	BOLT,FLANGE	2		M8X20				
10	37000505990	PLATE	4			227216			
34	82420102413	TRIM	2	M					

AT-146-1 42095140300 LOWER,ISUZU KK-NKR71E3N 5JXHY

Pos No.	Parts No	Parts Name	Qty	Unit	Technical Data	Serial No (Start)	Serial No (End)
1	42731680000	WOOD BLOCK (WITH RUBBER,T=80)	1				

AT-146-1 42095140300 LOWER,ISUZU KK-NKR71E3N 5JXHY

Pos No.	Parts No	Parts Name	Qty	Unit	Technical Data	Serial No (Start)	Serial No (End)	Remarks	Pages
1	42844320100	WEIGHT	1						
2	42843870200	WEIGHT	1						
3	90101216040	BOLT	4		M16X40				
4	90302041601	WASHER,SPRING	4		16				
5	90171110075	BOLT	4		M10X75				
6	90302041001	WASHER,SPRING	4		10				
7	90303071001	WASHER,PLAIN	4		10				

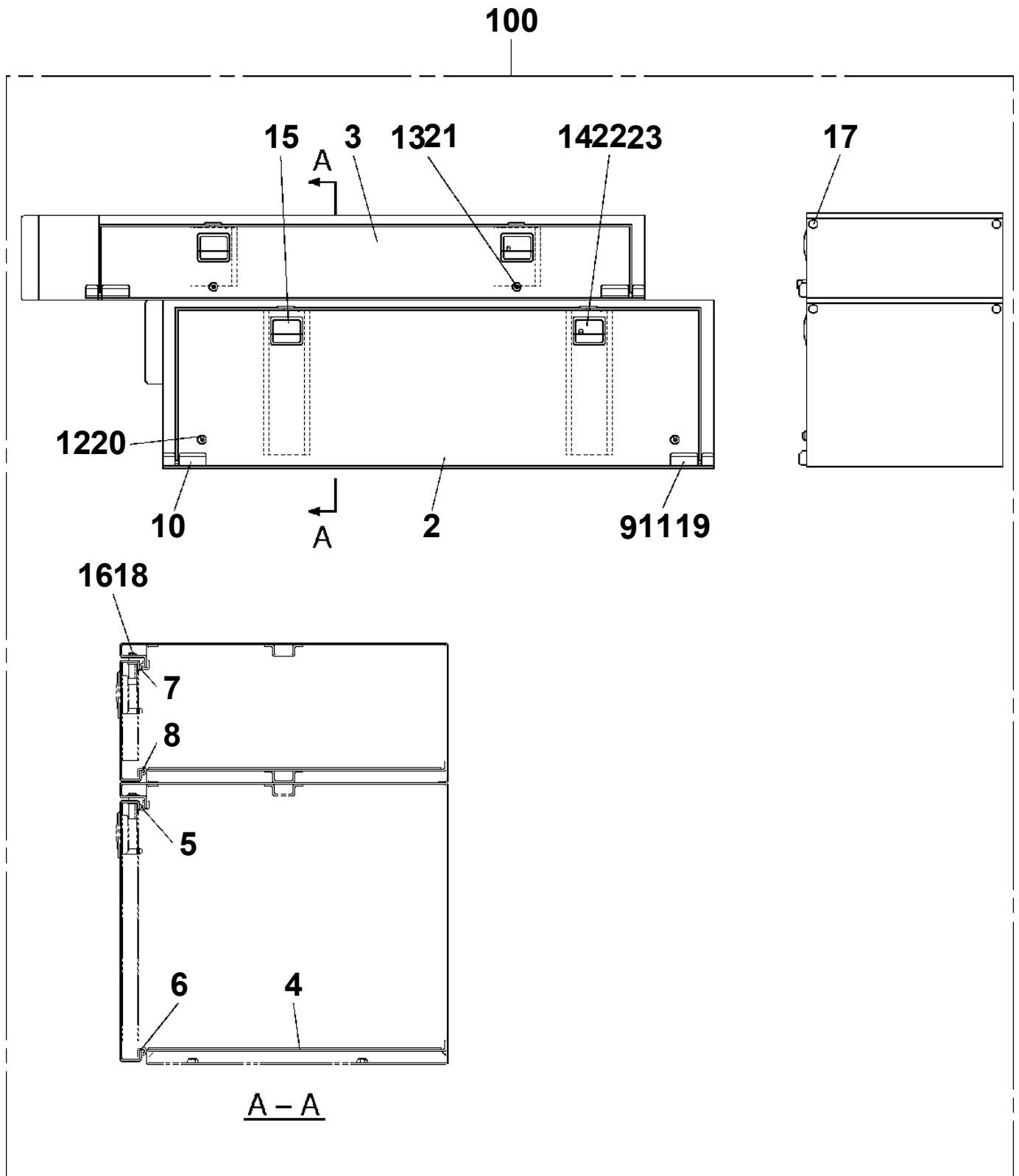
AT-146-1 42095140300 LOWER,ISUZU KK-NKR71E3N 5JXHY

Pos No.	Parts No	Parts Name	Qty	Unit	Technical Data	Serial No (Start)	Serial No (End)	Remarks	Pages
1	42833771000	BOX,TOOL	1						00008
2	90101210025	BOLT	6		M10X25				
3	90302041001	WASHER,SPRING	6		10				
5	37000505950	PLATE	6		T=3.2				
6	42833772000	STEP	1						
7	90101212022	BOLT	4		M12X22				
8	90302041201	WASHER,SPRING	4		12				
21	42394484020	PLATE (NON-SLIP)	5						

AT-146-1 42095140300 LOWER,ISUZU KK-NKR71E3N 5JXHY

Pos No.	Parts No	Parts Name	Qty	Unit	Technical Data	Serial No (Start)	Serial No (End)	Remarks	Pages
1	42834111000	BOX,TOOL	1						00010
2	90101210025	BOLT	6		M10X25				
3	90302041001	WASHER,SPRING	6		10				
5	37000505950	PLATE	6		T=3.2				
6	42833772000	STEP	1						
7	90101212022	BOLT	4		M12X22				
8	90302041201	WASHER,SPRING	4		12				
21	42394484020	PLATE (NON-SLIP)	5						
22	42833782010	PLATE (NON-SLIP)	2						
23	42833782020	PLATE (NON-SLIP)	2						

AT-146-1 42095140300 LOWER,ISUZU KK-NKR71E3N 5JXHY
PX1350502-00 BOX,TOOL



AT-146-1 42095140300 LOWER,ISUZU KK-NKR71E3N 5JXHY

Pos No.	Parts No	Parts Name	Qty	Unit	Technical Data	Serial No (Start)	Serial No (End)	Remarks	Pages
1	42834721000	BOX,TOOL	1						00011
2	90101210025	BOLT	6		M10X25				
3	90302041001	WASHER,SPRING	6		10				
4	37000505950	PLATE	6		T=3.2				
21	42394484020	PLATE (NON-SLIP)	3						
22	34393926550	PLATE (NON-SLIP)	2						
23	42833782010	PLATE (NON-SLIP)	2						

AT-146-1 42095140300 LOWER,ISUZU KK-NKR71E3N 5JXHY

Pos No.	Parts No	Parts Name	Qty	Unit	Technical Data	Serial No (Start)	Serial No (End)
2	42834727510	DOOR	1				
3	42834727520	DOOR	1				
4	42834727530	SEAT (WITH DOUBLE-STICK TAPE)	1				
5	42834727540	WEATHER STRIP	1		L=2350		
6	42834727550	WEATHER STRIP	1		L=2210		
7	42834727560	WEATHER STRIP	1		L=1390		
8	42832917570	HINGE SET (RIGHT)	1				
9	42832917580	HINGE SET (LEFT)	1				
10	42833157580	PIN	2				
11	42833077560	PLATE	4				
12	42831877540	INSULATOR	4				
13	42833607540	CATCH (WITH KEY)	2				
14	42833607550	CATCH (WITHOUT KEY)	2				
15	42833157590	STRIKER	4				
16	82464110008	HINGE	2				
17	42833077610	BUSH	16				
18	80175804010	SCREW,MACHINE	8		M4X10		
19	42834457590	SCREW,MACHINE (SEMS)	4		M4X12		
20	80192435010	SCREW,MACHINE	6		M5X10		
21	42834627560	SCREW,MACHINE (SEMS)	8		M5X12		
22	42834457610	SCREW,MACHINE	24		M5X10		
100	42834721000	BOX,TOOL	1				

AT-146-1 42095140300 LOWER,ISUZU KK-NKR71E3N 5JXHY

Pos No.	Parts No	Parts Name	Qty	Unit	Technical Data	Serial No (Start)	Serial No (End)	Remarks	Pages
1	42736872100	SUPPORT	1						
2	90101210020	BOLT	4		M10X20				
3	90302041001	WASHER,SPRING	4		10				

AT-146-1 42095140300 LOWER,ISUZU KK-NKR71E3N 5JXHY

Pos No.	Parts No	Parts Name	Qty	Unit	Technical Data	Serial No (Start)	Serial No (End)
1	(*****)	BOOSTER (LOWER,HYDRAULIC OUTLET)	1				
2	42736631000	CABLE ASSY	1				
3	42736600200	SUPPORT	1				
4	(*****)	MOUNT,SUPPORT (COLOR CONE)	1				
21	82100002173	CONNECTOR	1				
23	82117920411	CONNECTOR	1				
24	82100001219	INSULATOR	8				
25	82122910400	CAP	1				

AT-146-1 42095140300 LOWER,ISUZU KK-NKR71E3N 5JXHY

Pos No.	Parts No	Parts Name	Qty	Unit	Technical Data	Serial No (Start)	Serial No
1	42474530100	LAMP ASSY	2				
2	42476510100	HARNESS	1				
3	42475540020	HARNESS	1				
4	42738690100	SUPPORT	1				
5	90813108020	BOLT,WING	2		M8X20		
6	42470100010	SUPPORT	1				
7	82100002006	CLAMP	4		WR10		
8	90101206014	BOLT	3		M6X14		
9	90302040601	WASHER,SPRING	4		6		
10	37002203720	PLATE,NAME (ON-OFF)	1				
11	42731340040	PLATE,NAME (WORKING LAMP)	1				
12	82400000200	GROMMET	1		KG-012,L=250		
13	90201200600	NUT	3		M6		
14	91810130240	FASTENER	15				
15	82197518119	CAP (PLUS ONE MFG./BLACK)	1				
	82197518114	CAP (MATSUSHITA/BLACK)	1				
31	82165904020	LAMP	2		24V 60W		
32	90101212020	BOLT	2		M12X20		
33	90302041201	WASHER,SPRING	2		12		
34	37000159530	PIN	2				
35	80620210160	PIN,SNAP	2				
41	82105220112	SWITCH,TOGGLE	1				
51	82100000054	BULB,LAMP	2		24V 60W		
59	82100002838	SWITCH ASSY (WITH HARNESS,TERMINAL)	2				

AT-146-1 42095140300 LOWER,ISUZU KK-NKR71E3N 5JXHY

Pos No.	Parts No	Parts Name	Qty	Unit	Technical Data	Serial No (Start)	Serial No (End)	Rema
2	42460011010	EARTH	1					
3	90101208012	BOLT	2		M8X12			
4	90302040801	WASHER,SPRING	2		8			
5	90101210016	BOLT	4		M10X16			
6	90302041001	WASHER,SPRING	4		10			
7	42737940100	SUPPORT	1					
21	36160370000	REEL,CORD (FOR EARTHING)	1					
22	37002702730	CABLE ASSY	1		8X10000			
23	82124331000	CLIP (WITH CAP/BLACK)	1					
24	90201200500	NUT	1		M5			
25	90302040501	WASHER,SPRING	1		5			
26	90303070501	WASHER,PLAIN	1		5			
41	42733317510	CAP	1					

CLICK HERE TO **DOWNLOAD** THE COMPLETE MANUAL

- Thank you very much for reading the preview of the manual.
- You can download the complete manual from: www.heydownloads.com by clicking the link below



- Please note: If there is no response to CLICKING the link, please download this PDF first and then click on it.

CLICK HERE TO **DOWNLOAD** THE COMPLETE MANUAL