

AT-146-1 42095123100 LOWER,MITSUBUSHI KK-FE73EBY6K2

PO1000127-01 INDICATION PLATES

PW1000109-01 ACCESSORIES & TOOLS

PX2000119-00 CARRIER UNIT

PX3000115-00 MOUNTING UNIT

PY1000680-01 OPTIONS,1

PY2000036-00 OPTIONS,2

ASSEMBLY

CLICK HERE TO **DOWNLOAD** THE COMPLETE MANUAL

- Thank you very much for reading the preview of the manual.
- You can download the complete manual from: www.heydownloads.com by clicking the link below



- Please note: If there is no response to CLICKING the link, please download this PDF first and then click on it.

CLICK HERE TO **DOWNLOAD** THE COMPLETE MANUAL

AT-146-1 42095123100 LOWER,MITSUBUSHI KK-FE73EBY6K2

Pos No.	Parts No	Parts Name	Qty	Unit	Technical Data	Serial No (Start)	Serial No (End)
1	(*****)	LAMP (O/R CONTROL PANEL)	1				
2	(*****)	LAMP (LEVEL)	1				
3	(*****)	LAMP (WORKING:BOOM REST LEFT)	1				
4	(*****)	LAMP (BOOM,WORKING)	1				
5	(*****)	LAMP (BOOM,WORKING)	1				
6	(*****)	BOX,TOOL (MOUNT,BOOM LEFT SIDE)	1				
7	(*****)	POWER SOURCE (24V)	1				
13	(*****)	REFLECTOR	1				
14	(*****)	OUTRIGGER	1				
15	(*****)	POWER SUPPLY (HYDRAULIC OUTLET)	1				
	(*****)	POWER SUPPLY (HYDR. OUTLET/WITH BOOST)	1				
18	(*****)	BOOSTER (HYDRAURIC OUTLET:B)	1				
	(*****)	BOOSTER (HYDRAURIC OUTLET:L,STD)	1				
20	(*****)	MOUNT,SUPPORT (BOOM SIDE,JIB STOWING)	1				
21	(*****)	VIEW SYSTEM (MONITOR:CLARION/TOYOTA)	1				
	(*****)	VIEW SYSTEM (COLOR MONITOR:ICHIKOH/HINO)	1				
	(*****)	VIEW SYSTEM(COLOR MONITOR:ICHIKOH/ISUZU)	1				
	(*****)	VIEW SYSTEM (MONITOR:ICHIKOH/MITSUBISHI)	1				
	(*****)	VIEW SYSTEM (MONITOR:ICHIKOH/MITSUBISHI)	1				
	(*****)	VIEW SYSTEM (MONITER,YONDEN/MITSUBISHI)	1				
	(*****)	VIEW SYSTEM (MONITOR:ICHIKOH/TOYOTA)	1				
	(*****)	VIEW SYSTEM (MONITOR:CLARION/MITHUBSHI)	1				
	(*****)	VIEW SYSTEM (MONITOR,YONDEN/MITHUBISHI)	1				
22	(*****)	VIEW SYSTEM (CAMERA,FOR YONDEN)	1				
	(*****)	VIEW SYSTEM (CAMERA/CLARION)	1				
	(*****)	VIEW SYSTEM (CAMERA/ICHIKOH)	1				
23	(*****)	MOUNT,SUPPORT (COLOR CONE)	1				
25	(*****)	REEL,CORD (CONNECTOR WF7330/YONDENKOU)	1				
26	(*****)	LAMP (BOX,TOOL/YONDEN)	1				

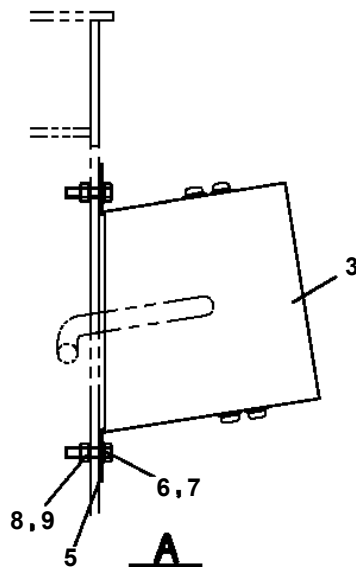
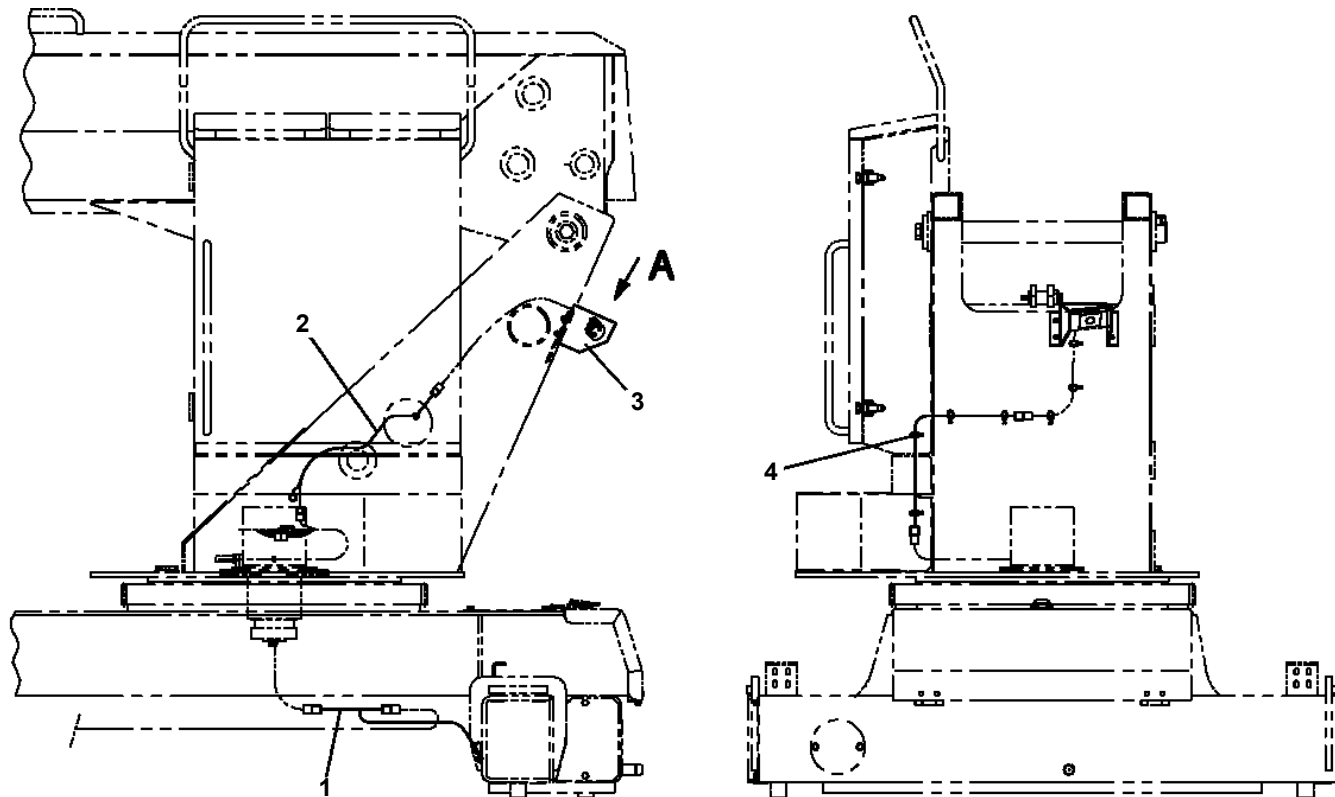
AT-146-1 42095123100 LOWER,MITSUBUSHI KK-FE73EBY6K2

Pos No.	Parts No	Parts Name	Qty	Unit	Technical Data	Serial No (Start)	Serial No (End)	Remarks	Pages
3	90302040601	WASHER,SPRING	1		6				
4	90201200600	NUT	1		M6				
7	90303070801	WASHER,PLAIN	2		8				
10	42790801000	SUPPORT	1			227370			
22	36401630000	POWER TAKE OFF	1				227369		00000
23	36401630001	POWER TAKE OFF	1			227370			00000

AT-146-1 42095123100 LOWER,MITSUBUSHI KK-FE73EBY6K2

Pos No.	Parts No	Parts Name	Qty	Unit	Technical Data	Serial No (Start)	Serial No (End)
117	82105220112	SWITCH,TOGGLE	1				
121	91002801400	O-RING	1		1B P14		
134	82100002486	LAMP,PILOT	1				

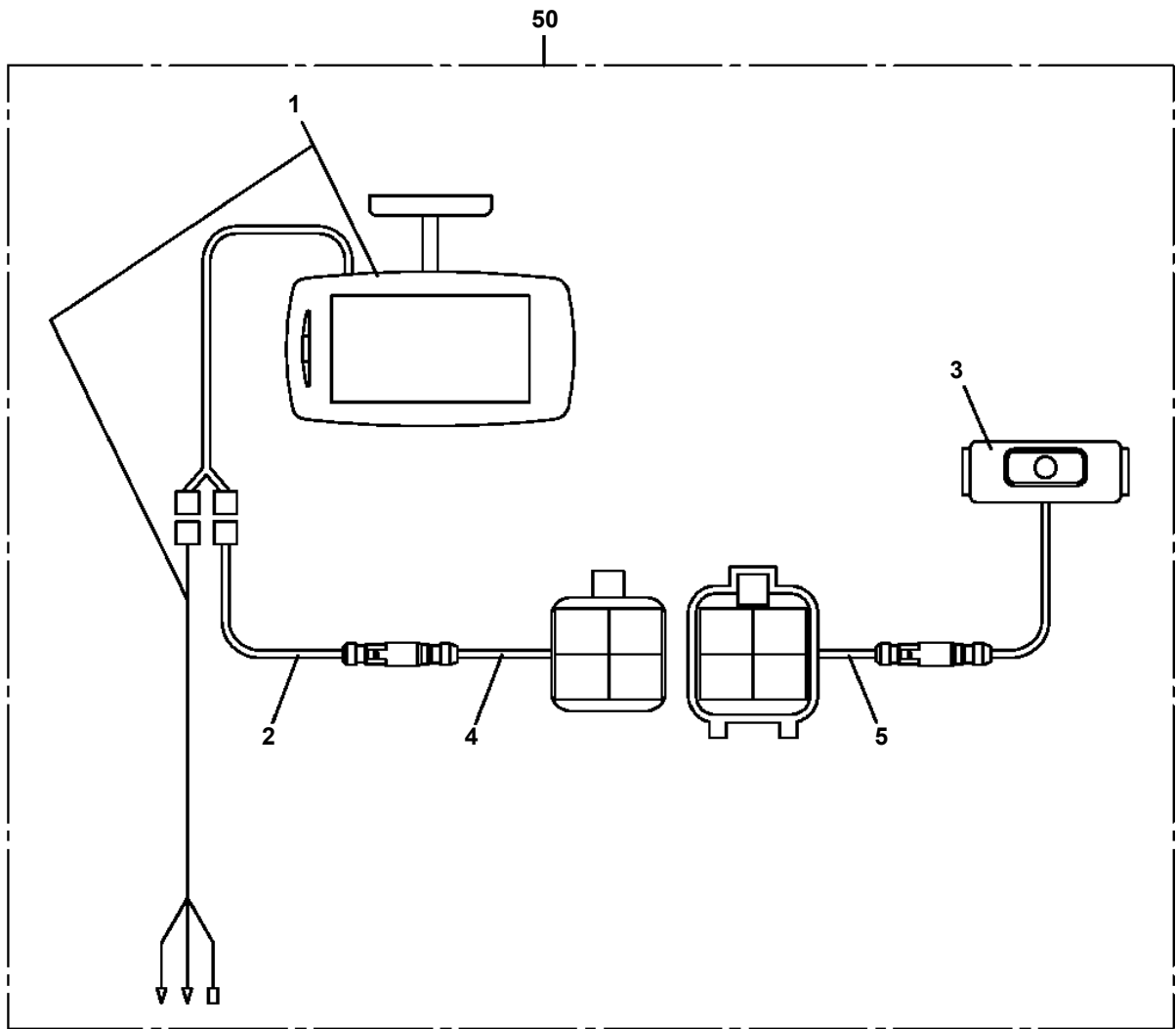
AT-146-1 42095123100 LOWER, MITSUBUSHI KK-FE73EBY6K2
PH1700145-01 VIEW SYSTEM (CAMERA/ICHIKOH)



AT-146-1 42095123100 LOWER,MITSUBUSHI KK-FE73EBY6K2

Pos No.	Parts No	Parts Name	Qty	Unit	Technical Data	Serial No (Start)	Serial No (End)	Remarks	Pages
1	42960061202	VIEW SYSTEM	1						
2	42738451100	SUPPORT	1						
4	37000561860	PLATE	1						
5	90101205014	BOLT	3		M5X14				
6	90303070501	WASHER,PLAIN	3		5				
7	82400000095	GROMMET	1						
9	91810130240	FASTENER	20						
10	42738451200	HARNESS	1						
11	82401601002	CLAMP	5						
12	82100000191	TERMINAL	3						
13	82100000183	INSULATOR	3						
14	90201200500	NUT	3		M5				
15	90302040501	WASHER,SPRING	3		5				

**AT-146-1 42095123100 LOWER, MITSUBISHI KK-FE73EBY6K2
PH1700167-00 VIEW SYSTEM**



AT-146-1 42095123100 LOWER,MITSUBUSHI KK-FE73EBY6K2

Pos No.	Parts No	Parts Name	Qty	Unit	Technical Data	Serial No (Start)	Serial No (End)	Remark
1	34381402200	SWITCH,REMOTECONTROL	1					
2	34381402300	CABLE	1					
3	34381402400	DISPLAY	1					
50	34381402000	DISPLAY	1					

AT-146-1 42095123100 LOWER,MITSUBUSHI KK-FE73EBY6K2

Pos No.	Parts No	Parts Name	Qty	Unit	Technical Data	Serial No (Start)	Serial No (End)	Remarks	Pages
100	42475540010	HARNESS	1						

AT-146-1 42095123100 LOWER,MITSUBUSHI KK-FE73EBY6K2

Pos No.	Parts No	Parts Name	Qty	Unit	Technical Data	Serial No (Start)	Serial No (End)	Remarks	Pages
100	42808201100	HARNESS	1						

AT-146-1 42095123100 LOWER,MITSUBUSHI KK-FE73EBY6K2

Pos No.	Parts No	Parts Name	Qty	Unit	Technical Data	Serial No (Start)	Serial No (End)	Remarks
7	36642765050	O-RING	1					
	36642765050	O-RING	1				227728	
8	36642765060	WASHER (CENTER)	2					
10	91000501200	O-RING	4					
13	36643435020	SPRING	2					
14	36642765070	PLUG	1					
21	36643435030	NUT	1				227728	
22	91000501900	O-RING	1				227728	
23	36643435050	CORE ASSY (SOLENOID)	1				227728	
24	36645925020	COIL,SOLENOID	1				227728	
25	36643435070	PACKING	1				227728	
31	36741765010	NUT	1			227729		
32	36741765020	O-RING	1			227729		
33	36649995020	CORE ASSY (SOLENOID)	1			227729		
34	36643435040	PIN,SPRING	4					
35	36648475110	O-RING	1			227729		
41	36644965010	O-RING	1			227729		
44	36741765040	COIL,SOLENOID	1			227729		
50	36645920000	VALVE,SOLENOID	1					

AT-146-1 42095123100 LOWER,MITSUBUSHI KK-FE73EBY6K2

Pos No.	Parts No	Parts Name	Qty	Unit	Technical Data	Serial No (Start)	Serial No (End)	Remark
2	90101208020	BOLT	4		M8X20		227633	
	90101208014	BOLT	4		M8X14	227634		
3	90302040801	WASHER,SPRING	4		8			
4	90201200800	NUT	4		M8		227633	
5	42714372000	HARNES	1					
6	91810130240	FASTENER	10					
7	42714630100	SUPPORT	1				227633	
	42714640100	SUPPORT	1			227634		
8	90101210018	BOLT	2		M10X18			
9	90302041001	WASHER,SPRING	2		10			
10	82100002006	CLAMP	1		WR10			
11	90101206012	BOLT	1		M6X12			
12	90302040601	WASHER,SPRING	1		6			
13	42713630400	HARNES	1		L=2060			
31	42714371101	SUPPORT	1					
32	42714371201	COVER	1					
33	90101206012	BOLT	7		M6X12			
34	90302040601	WASHER,SPRING	9		6			
35	42714371400	MOTOR ASSY (ASSY ONLY)	1					
36	90101208035	BOLT	2		M8X35			
37	90201200800	NUT	2		M8			
38	90302040801	WASHER,SPRING	2		8			
39	37000105720	PIN	1					
40	80136320010	PIN,SPLIT	1		2X10			
41	90303070601	WASHER,PLAIN	1		6			
42	82100002006	CLAMP	1		WR10			
43	90201200600	NUT	2		M6			
44	42714491100	SUPPORT	1					
45	90101206025	BOLT	2		M6X25			
46	90303070801	WASHER,PLAIN	2		8			

CLICK HERE TO **DOWNLOAD** THE COMPLETE MANUAL

- Thank you very much for reading the preview of the manual.
- You can download the complete manual from: www.heydownloads.com by clicking the link below



- Please note: If there is no response to CLICKING the link, please download this PDF first and then click on it.

CLICK HERE TO **DOWNLOAD** THE COMPLETE MANUAL

AT-146-1 42095123100 LOWER,MITSUBUSHI KK-FE73EBY6K2

Pos No.	Parts No	Parts Name	Qty	Unit	Technical Data	Serial No (Start)	Serial No (End)	Rem
1	42738200100	SWITCH ASSY	1					
2	82100002563	LAMP,LICENSE	1					
3	90101208016	BOLT	2		M8X16			
4	90302040801	WASHER,SPRING	2		8			
5	91810130230	FASTENER	5					
6	42738200200	SUPPORT	1					
7	90201200500	NUT	1		M5			
8	42738200010	PLATE,NAME	1					
9	90303070501	WASHER,PLAIN	1		5			
10	90303070801	WASHER,PLAIN	2		8			
11	90201200800	NUT	2		M8			
12	82197518114	CAP (MATSUSHITA/BLACK)	1					
	82197518119	CAP (PLUS ONE MFG./BLACK)	1					
37	82105220112	SWITCH,TOGGLE	1					
51	82100000783	BULB,LAMP	1		24V 12W			

AT-146-1 42095123100 LOWER,MITSUBUSHI KK-FE73EBY6K2

Pos No.	Parts No	Parts Name	Qty	Unit	Technical Data	Serial No (Start)	Serial No (End)	Remarks
1	36160650000	REEL,CORD	1					
2	42733030100	CABLE ASSY	1		L=20100			
3	82124331000	CLIP (WITH CAP/BLACK)	1					
4	90201200500	NUT	1		M5			
5	90302040501	WASHER,SPRING	1		5			
6	90303070501	WASHER,PLAIN	1		5			
21	42733317510	CAP	1					

AT-146-1 42095123100 LOWER,MITSUBUSHI KK-FE73EBY6K2

Pos No.	Parts No	Parts Name	Qty	Unit	Technical Data	Serial No (Start)	Serial No (End)	Remarks	Pages
1	42895820100	CARRIER	1						
2	42895820200	HANDLE	1						

AT-146-1 42095123100 LOWER,MITSUBUSHI KK-FE73EBY6K2

Pos No.	Parts No	Parts Name	Qty	Unit	Technical Data	Serial No (Start)	Serial No (End)
1	42460012540	WEDGE (STOPPER FOR TIRE/NAKAMURA KIKI)	1				

AT-146-1 42095123100 LOWER,MITSUBUSHI KK-FE73EBY6K2

Pos No.	Parts No	Parts Name	Qty	Unit	Technical Data	Serial No (Start)	Serial No (End)	Remarks	Pages
1	42696901000	SUPPORT	1						
2	42696902000	SUPPORT	1						
3	42697041000	SUPPORT	1						
5	90186208020	BOLT,FLANGE	12		M8X20				
6	90280200800	NUT,FLANGE	5		M8				
7	37000547660	PLATE	10		T=2.3				
8	90186208016	BOLT,FLANGE	5		M8X16				
9	42696070100	SUPPORT	4						
10	37000576090	PLATE	3						
11	82464186721	HINGE	3						
12	90101208016	BOLT	15		M8X16				
13	90302040801	WASHER,SPRING	15		8				
14	37000576580	PLATE	3						
15	82400000393	INSULATOR	3						
16	80172804016	SCREW,MACHINE	3		M4X16				
17	90201500400	NUT	3		M4				
18	90302510401	WASHER,SPRING	3		4				
20	42771180100	SUPPORT	1						
21	42696900100	SUPPORT	1						
22	82400000345	CHAIN (QTY=L)	1	M					
23	90280200600	NUT,FLANGE	1		M6				
24	90186206016	BOLT,FLANGE	1		M6X16				
41	82466186102	CATCH	2						

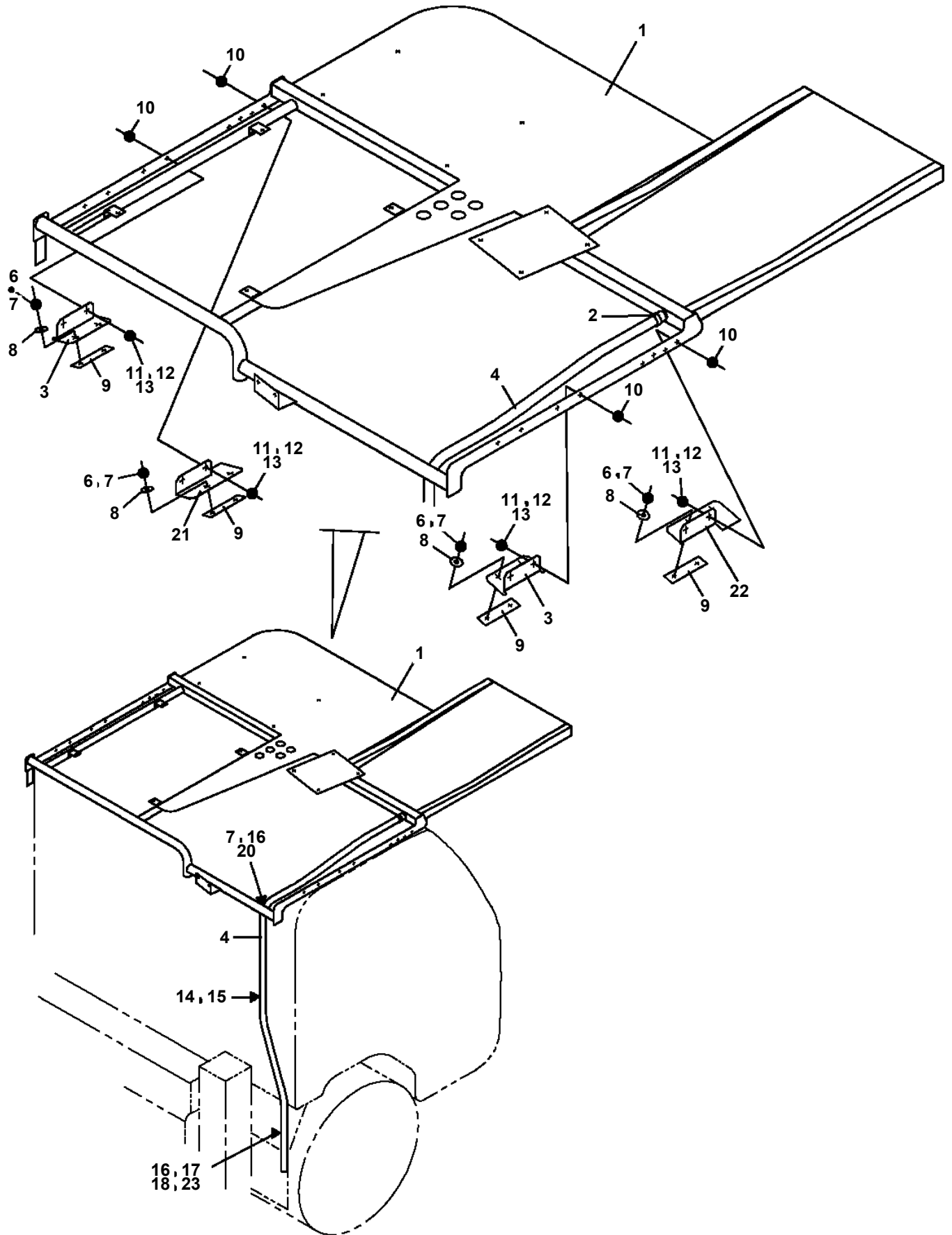
AT-146-1 42095123100 LOWER,MITSUBUSHI KK-FE73EBY6K2

Pos No.	Parts No	Parts Name	Qty	Unit	Technical Data	Serial No (Start)	Serial No (End)	Remark
1	91810130240	FASTENER	10					
2	90186208014	BOLT,FLANGE	8		M8X14			
3	42807270100	SUPPORT	1					
4	42807270200	SUPPORT	1					
5	90186206016	BOLT,FLANGE	6		M6X16			
6	90280200800	NUT,FLANGE	2		M8			
7	42807270300	SUPPORT	1				227848	
	42809190100	SUPPORT	1			227849		
8	42895690100	HARNESS	1		L=1000		227744	
	42808000200	HARNESS	1			227745		
9	42895690200	HARNESS	1		L=1000		227536	
10	82111101510	TERMINAL	2			227745		
11	82121101050	PLUG (BLACK/AV0.3 TO 0.5)	4			227745		
12	82111101010	TERMINAL	2			227745		
13	82114102020	CONNECTOR	1			227745		
14	82121102020	HOLDER	2			227745		
15	82114101020	CONNECTOR (2P,MALE)	1			227745		

AT-146-1 42095123100 LOWER,MITSUBUSHI KK-FE73EBY6K2

Pos No.	Parts No	Parts Name	Qty	Unit	Technical Data	Serial No (Start)	Serial No (End)	Remarks	P
1	42834437510	BODY,BOX	1						
2	42834437520	WINDOW	1						
3	42834437530	SEAT	1		T=1.3				
4	42834437540	WEATHER STRIP	1		L=1200				
5	42834437550	WEATHER STRIP	1		L=760				
6	42832917570	HINGE SET (RIGHT)	1						
7	42832917580	HINGE SET (LEFT)	1						
8	42833157580	PIN	2						
9	42831877540	INSULATOR	1						
10	42833607540	CATCH (WITH KEY)	1						
11	42833607550	CATCH (WITHOUT KEY)	1						
12	42833157590	STRIKER	2						
13	80192835010	SCREW,MACHINE	6		M5X10				
14	80192884012	SCREW,MACHINE	1		M4X12				
15	80192885014	SCREW,MACHINE	4		M5X14				
16	80175805010	SCREW,MACHINE	4		M5X10				
17	80175804010	SCREW,MACHINE	4		M4X10				
21	90201500400	NUT	1		M4				
100	42834432000	BOX,TOOL	1						

AT-146-1 42095123100 LOWER, MITSUBISHI KK-FE73EBY6K2
PX1370240-00 GUARD, CAB



AT-146-1 42095123100 LOWER,MITSUBUSHI KK-FE73EBY6K2

Pos No.	Parts No	Parts Name	Qty	Unit	Technical Data	Serial No (Start)	Serial No (End)	Remarks	Pages
1	42736872100	SUPPORT	1						
2	90101210020	BOLT	4		M10X20				
3	90302041001	WASHER,SPRING	4		10				

AT-146-1 42095123100 LOWER,MITSUBUSHI KK-FE73EBY6K2

Pos No.	Parts No	Parts Name	Qty	Unit	Technical Data	Serial No (Start)	Serial No (E
2	42736053000	CONTROL UNIT (BOOSTER)	1				
3	36645920000	VALVE,SOLENOID	1				
4	36645930000	VALVE,SOLENOID	1				
5	42736054000	BOOSTER	1				
11	42736714011	BOX (LOWER)	1				
12	42736714021	BOX (UPPER)	1				
13	90172206008	BOLT,HEXAGON SOCKET	10		M6X8		
14	90303070601	WASHER,PLAIN	10		6		
15	90101208016	BOLT	4		M8X16		
16	90302040801	WASHER,SPRING	4		8		
18	42470400100	JOINT,SELF SEALING (WITH CAP)	1				
19	42473440020	JOINT	1				
20	42643594510	HOSE,VINYL	1		4X6X150		
21	42643594520	SUPPORT	1				
22	80306030040	JOINT,NIPPLE	1		3/8		
24	80456240600	JOINT,SELF SEALING (WITH DUST CAP)	1				
25	42732451530	PLUG SOCKET (METAL)	1				
26	82100001655	CAP	1				
27	80171203006	SCREW,MACHINE	1				
28	80172403006	SCREW,MACHINE	4		M3X6		
30	42732451540	SWITCH ASSY	1				
31	42732451560	FUSE ASSY	1				
32	42643594540	RELAY ASSY	1				
33	42643594550	SHAFT	1				
34	42643594530	SUPPORT	1				
35	42643594570	HOSE,VINYL	1		4X6X20		
36	42643594560	HOSE,VINYL	1		6X8X700		
37	42643594580	FASTENER	4				
38	42733723510	CORD ASSY	1				
39	82100001407	CONNECTOR (SEAL)	1				
40	90172206012	BOLT,HEXAGON SOCKET	5		M6X12		
41	90302040601	WASHER,SPRING	5		6		
42	42736052030	JOINT	1				
43	42736052041	JOINT	1				
44	42736714030	JOINT	1				
50	42736713000	BOOSTER	1				
51	42470407570	CAP	1				
52	42471437520	CAP	1				

AT-146-1 42095123100 LOWER,MITSUBUSHI KK-FE73EBY6K2

Pos No.	Parts No	Parts Name	Qty	Unit	Technical Data	Serial No (Start)	Serial No
1	42474530100	LAMP ASSY	1				
2	90813108020	BOLT,WING	1		M8X20		
3	91810130240	FASTENER	5				
4	82100002006	CLAMP	4		WR10		
5	90201200600	NUT	4		M6		
6	90302040601	WASHER,SPRING	4		6		
7	42739240100	HARNESS	1				
21	82165904020	LAMP	1		24V 60W		
22	90101212020	BOLT	1		M12X20		
23	90302041201	WASHER,SPRING	1		12		
24	37000159530	PIN	1				
25	80620210160	PIN,SNAP	1				
31	82100000054	BULB,LAMP	1		24V 60W		
32	82100002838	SWITCH ASSY (WITH HARNESS,TERMINAL)	1				

AT-146-1 42095123100 LOWER,MITSUBUSHI KK-FE73EBY6K2

Pos No.	Parts No	Parts Name	Qty	Unit	Technical Data	Serial No (Start)	Serial No (End)	Remarks
2	42460011010	EARTH	1					
3	90101208012	BOLT	2		M8X12			
4	90302040801	WASHER,SPRING	2		8			
5	90101210016	BOLT	4		M10X16			
6	90302041001	WASHER,SPRING	4		10			
7	42737940100	SUPPORT	1					
21	36160650000	REEL,CORD	1					
22	42733030100	CABLE ASSY	1		L=20100			
23	82124331000	CLIP (WITH CAP/BLACK)	1					
24	90201200500	NUT	1		M5			
25	90302040501	WASHER,SPRING	1		5			
26	90303070501	WASHER,PLAIN	1		5			
41	42733317510	CAP	1					

CLICK HERE TO **DOWNLOAD** THE COMPLETE MANUAL

- Thank you very much for reading the preview of the manual.
- You can download the complete manual from: www.heydownloads.com by clicking the link below



- Please note: If there is no response to CLICKING the link, please download this PDF first and then click on it.

CLICK HERE TO **DOWNLOAD** THE COMPLETE MANUAL